



# *Illustrated Parts Manual*

***Models***  
***1055***  
***1255***

**PVC**  
**2105**

**P/N**  
**31211636**  
**September 30, 2021 - Rev B**







## EFFECTIVITY PAGE

May 11, 2021 - A - Original Issue of Manual (Manual Edited to B/M 1001162000 Revision BR)

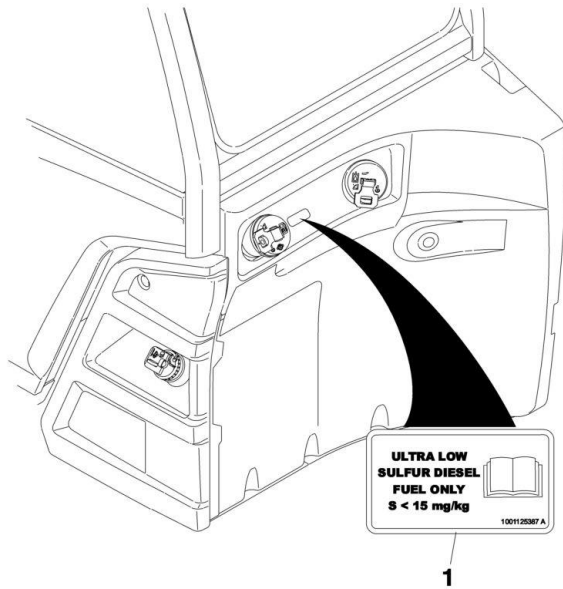
September 30, 2021 - B - Revised Manual (Manual Edited to B/M 1001162000 Revision BR)

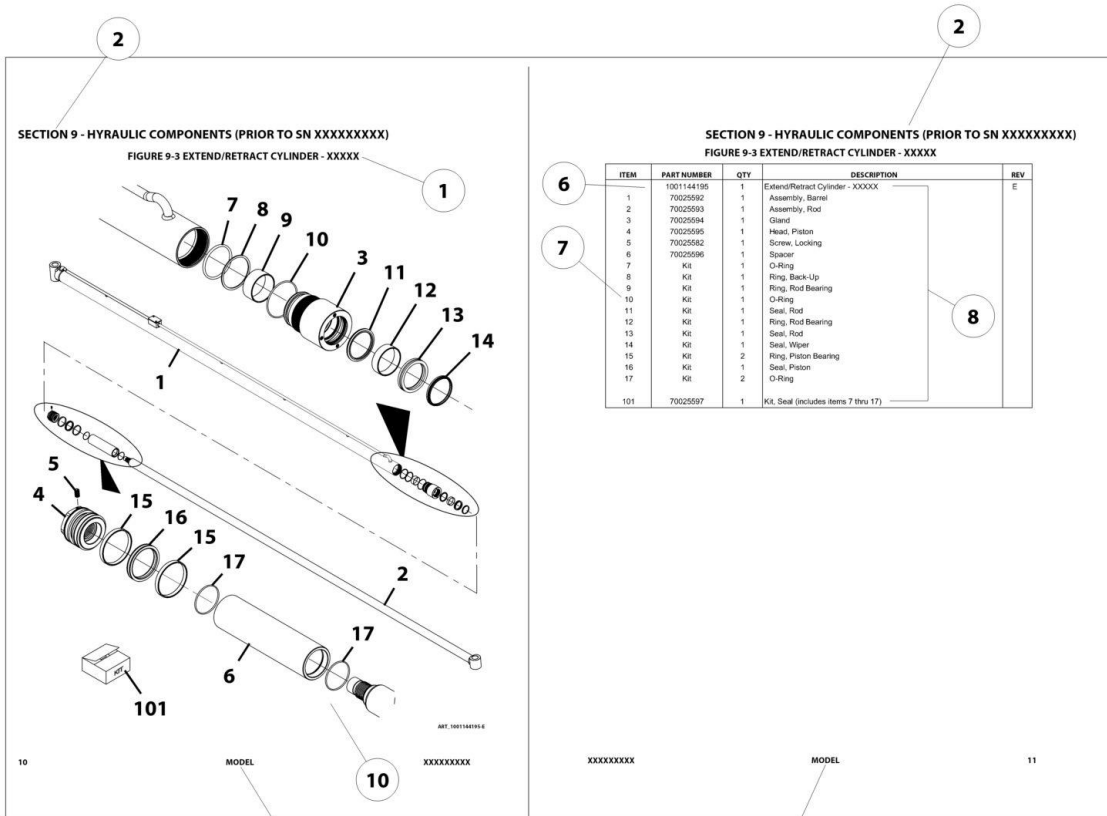
## Machine Configuration

---

Two configurations of each machine are included in this manual. Determine if machine is equipped with Ultra Sulfur Fuel Decal (1) as indicated below.

- If equipped with the Ultra Low Sulfur decal, all specific references to this machine configuration will be referred to as Ultra Low Sulfur (ULS) from this point forward.
- If not equipped with the Ultra Low Sulfur decal, all specific references to this machine configuration will be referred to as Low Sulfur (LS) from this point forward.





## General Information

Machines are identified by model and in some cases a combination of model, serial number (S/N) or regional standard (e.g. ANSI, CE, CSA, AUS). Components may also be identified by S/N or manufacturer. Common components that may be identified by these characteristics are attachments, engine, transmission and hydraulic components.

Product information in this manual is organized under section titles. Frame, Engine and Electrical are a few examples. Each section is organized by Figure and page number. The information within the Figure is then organized by item number, part number, description and corresponding illustration(s).

A table of contents (TOC) is found toward the beginning of the manual. Figure number, description and page number are provided for quick reference to the page containing the related information.

The Recommended Spare Parts, located near the end of the manual, references most frequently used maintenance parts.

A numerical index listing all part numbers and the corresponding page number(s) appears at the back of the manual.

In some instances it is necessary to display non-serviced parts, assemblies or installations. In the case of assemblies and installations there will be a Ref in the QTY column and a note after the item description stating what is available for service within. In the case of parts that are not available for service within assemblies or components there will be a NSS (Not Sold Separately) listed in the part number column of the manual.

Numbers shown in the Item column correspond to numbers used in the associated illustration(s). Item numbers which are missing from sequence and are not shown in the illustration(s) are not used on that page.

An indented part description is included in the item under which it is indented.

**9. ABBREVIATIONS AND SYMBOLS**

AC.....Alternating Current  
A/C.....Air Conditioning  
ADE.....Advanced Design Electronics  
AG.....Agriculture  
AMP.....Amperage  
ANSI.....American National Standards Institute  
AR.....As Required  
ASSY.....Assembly  
AUS.....Australia  
AUX.....Auxiliary  
AWG.....American Wire Gauge  
CAC.....Charge Air Cooler  
CE.....European Conformity  
CM.....Centimeter  
CONST.....Construction  
CSA.....Canadian Standards Association  
DEF.....Diesel Exhaust Fluid  
DIA.....Diameter  
DC.....Direct Current  
DTZ.....Decentralized Transmission Zeros  
ECU.....Electronic Control Unit  
EMS.....Emergency Stop  
FNR.....Forward Neutral Reverse  
FT.....Foot  
GA.....Gauge  
GR.....Grade  
HBP.....High Boom Pivot  
HHP.....High Horse Power  
HOC.....Hydraulic Oil Cooler  
HVAC.....Heating, Ventilating, and Air Conditioning  
ID.....Inside Diameter  
IN.....Inch  
ISO.....International Organization for Standards  
ITSDF.....Industrial Truck Standards Development Foundation  
JIC.....Joint Industry Council  
KG.....Kilogram  
KW.....Kilowatt  
L.....Liter

LB.....Pound  
LBP.....Low Boom Pivot  
LCD.....Liquid Crystal Display  
LED.....Light Emitting Diode  
LH.....Left Hand  
LHD.....Left Hand Drive  
LHP.....Low Horse Power  
LMIS.....Load Management Indicator System  
LS.....Low Sulfur  
LSI.....Load Stability Indicator  
LSS.....Load Sensing System  
M<sup>3</sup>.....Cubic Meter  
MA.....Milliamp  
M(m).....Metric/Meter  
MM.....Millimeter  
N.....Newton  
NACD.....North America Construction Division  
NLA.....No Longer Available  
NSS.....Not Sold Separately  
OD.....Outside Diameter  
ORB.....O-Ring Boss  
ORFS.....O-Ring Face Seal  
OZ.....Ounce  
PR.....Ply Rating  
QT.....Quart  
QTY.....Quantity  
REF.....Reference  
REV.....Revision  
RH.....Right Hand  
RHD.....Right Hand Drive  
RHOC.....Remote Hydraulic Oil Cooler  
RUS.....Russia  
SAE.....Society of Automotive Engineers  
SAHR.....Spring Applied Hydraulically Released  
SN.....Serial Number  
SPD.....Speed  
TLU.....Torque Lock Up  
UGM.....Universal Ground Module

**10. ILLUSTRATION REFERENCE LETTERS**

When necessary, illustrations may contain reference letters that are intended to track information from one point to another in the illustration such as harnesses and hoses or any other information that has been separated in the illustration

*Note:* Due to continuous product improvements, JLG Industries, Inc. reserves the right to make specification changes without prior notification. Contact JLG Industries, Inc. for updated information.

# TABLE OF CONTENTS

SECTION 1 - FRAME AND ATTACHING PARTS.....	17
FIGURE 1-1. FRAME COVER INSTALLATION (ULS).....	18
FIGURE 1-2. FRAME COVER INSTALLATION (LS) .....	20
FIGURE 1-3. FRAME LEVEL CYLINDER PIN INSTALLATION.....	22
FIGURE 1-4. REAR STABILIZER CYLINDER PIN INSTALLATION.....	24
FIGURE 1-5. OUTRIGGERS INSTALLATION.....	26
FIGURE 1-6. TANK INSTALLATION.....	28
FIGURE 1-7. FUEL TANK INSTALLATION.....	30
FIGURE 1-8. HYDRAULIC TANK INSTALLATION.....	32
FIGURE 1-9. ENGINE MOUNTING INSTALLATION.....	34
FIGURE 1-10. ENGINE ENCLOSURE INSTALLATION.....	36
FIGURE 1-11. ENGINE ENCLOSURE COVER INSTALLATION.....	38
FIGURE 1-12. HOOD ASSEMBLY.....	40
FIGURE 1-13. MIRROR INSTALLATION.....	42
FIGURE 1-14. TOOLBOX INSTALLATION.....	44
FIGURE 1-15. COUNTERWEIGHT INSTALLATION - 1055.....	46
FIGURE 1-16. COUNTERWEIGHT INSTALLATION - 1255.....	48
SECTION 2 - BOOM.....	51
FIGURE 2-1. BOOM ASSEMBLY - 1055.....	52
FIGURE 2-2. BOOM ASSEMBLY - 1255.....	56
FIGURE 2-3. FIRST BOOM ASSEMBLY - 1055.....	60
FIGURE 2-4. FIRST BOOM ASSEMBLY - 1255.....	62
FIGURE 2-5. SECOND BOOM ASSEMBLY - 1055.....	64
FIGURE 2-6. SECOND BOOM ASSEMBLY - 1255.....	66
FIGURE 2-7. THIRD BOOM ASSEMBLY - 1055.....	68
FIGURE 2-8. THIRD BOOM ASSEMBLY - 1255.....	70
FIGURE 2-9. FOURTH BOOM ASSEMBLY - 1055.....	72
FIGURE 2-10. FOURTH BOOM ASSEMBLY - 1255.....	74
FIGURE 2-11. EXTEND CYLINDER PINS INSTALLATION.....	76
FIGURE 2-12. SECOND BOOM SECTION EXTEND CHAIN INSTALLATION - 1055.....	78
FIGURE 2-13. SECOND BOOM SECTION EXTEND CHAIN INSTALLATION - 1255.....	80
FIGURE 2-14. THIRD BOOM SECTION RETRACT CHAIN INSTALLATION.....	82
FIGURE 2-15. SECOND BOOM SECTION EXTEND CHAIN INSTALLATION - 1055.....	84
FIGURE 2-16. SECOND BOOM SECTION EXTEND CHAIN INSTALLATION - 1255.....	86
FIGURE 2-17. THIRD BOOM SECTION RETRACT CHAIN INSTALLATION - 1055.....	88
FIGURE 2-18. THIRD BOOM SECTION RETRACT CHAIN INSTALLATION - 1255.....	90
FIGURE 2-19. BOOM PIN INSTALLATION.....	92
FIGURE 2-20. BOOM PIVOT PIN INSTALLATION.....	94
FIGURE 2-21. LIFT CYLINDER PIN INSTALLATION.....	96
FIGURE 2-22. COMPENSATION CYLINDER PIN INSTALLATION.....	98
FIGURE 2-23. BOOM BRUSHES INSTALLATION.....	100
FIGURE 2-24. BOOM ANGLE INDICATOR INSTALLATION.....	102
FIGURE 2-25. MANUAL QUICK COUPLER INSTALLATION.....	104
FIGURE 2-26. HYDRAULIC QUICK COUPLER INSTALLATION.....	106
FIGURE 2-27. HYDRAULIC QUICK COUPLER INSTALLATION.....	108
FIGURE 2-28. QUICK COUPLING CYLINDER & FITTING ASSEMBLY.....	110
FIGURE 2-29. COUPLING PIN INSTALLATION.....	112
FIGURE 2-30. TILT CYLINDER PIN INSTALLATION.....	114
FIGURE 2-31. QUICK COUPLER ASSEMBLY.....	116
FIGURE 2-32. BOOM PROP INSTALLATION (ANSI).....	118
FIGURE 2-33. BOOM PROP INSTALLATION (CANADA).....	120
FIGURE 2-34. BOOM PROP BRACKET.....	122
SECTION 3 - ATTACHMENTS.....	125
FIGURE 3-1. BASKET, PERSONNEL (ENGLISH DECALS).....	126
FIGURE 3-2. BASKET, PERSONNEL (ENGLISH/FRENCH DECALS).....	128
FIGURE 3-3. BASKET, PERSONNEL (ISO DECALS).....	130
FIGURE 3-4. BASKET ASSEMBLY.....	132
FIGURE 3-5. BOOM - ADJUSTABLE.....	134
FIGURE 3-6. BOOM - ADJUSTABLE (FORK MOUNTED).....	136
FIGURE 3-7. BOOM - 3FT WITH WINCH.....	138
FIGURE 3-8. BOOM - 12FT WITH WINCH.....	140

# TABLE OF CONTENTS

FIGURE 3-9. BOOM - 12FT WITHOUT WINCH .....	142
FIGURE 3-10. BOOM - 15FT WITHOUT WINCH .....	144
FIGURE 3-11. BUCKET - 72IN 1.0 YD <sup>3</sup> .....	146
FIGURE 3-12. BUCKET - 96IN 1.3 YD <sup>3</sup> (GENERAL PURPOSE) .....	148
FIGURE 3-13. BUCKET - 96IN 1.3 YD <sup>3</sup> (MULTI-PURPOSE) .....	150
FIGURE 3-14. BUCKET - 102IN 2.0 YD <sup>3</sup> .....	152
FIGURE 3-15. BUCKET - FORK MOUNTED (1.0 M <sup>3</sup> ) .....	154
FIGURE 3-16. CARRIAGE ASSEMBLY - 48IN SIDE SHIFT .....	156
FIGURE 3-17. CARRIAGE ASSEMBLY - 50IN .....	158
FIGURE 3-18. CARRIAGE ASSEMBLY - 50IN DUAL FORK POSITIONING (10K) .....	160
FIGURE 3-19. CARRIAGE ASSEMBLY - 50IN DUAL FORK POSITIONING (12K) .....	162
FIGURE 3-20. CARRIAGE ASSEMBLY - DUAL FORK VALVE & FITTINGS .....	164
FIGURE 3-21. CARRIAGE ASSEMBLY - 50IN SIDE TILT .....	166
FIGURE 3-22. CARRIAGE ASSEMBLY - 60IN .....	168
FIGURE 3-23. CARRIAGE ASSEMBLY - 60IN SIDE TILT .....	170
FIGURE 3-24. CARRIAGE ASSEMBLY - 72IN .....	172
FIGURE 3-25. CARRIAGE ASSEMBLY - 72IN SIDE TILT .....	174
FIGURE 3-26. CARRIAGE ASSEMBLY - 72IN 90 SWING .....	176
FIGURE 3-27. CARRIAGE ASSEMBLY - SWING (180 ) .....	178
FIGURE 3-28. CARRIAGE INSTALLATION - DRYWALL SWING .....	184
FIGURE 3-29. CARRIAGE ASSEMBLY - DRYWALL ROTATING CARRIAGE .....	186
FIGURE 3-30. CARRIAGE ASSEMBLY - DRYWALL BOARD HANDLER .....	188
FIGURE 3-31. CARRIAGE ASSEMBLY - DRYWALL PIVOT FRAME GROUP .....	190
FIGURE 3-32. CARRIAGE ASSEMBLY - DRYWALL CYLINDER .....	192
FIGURE 3-33. CARRIAGE ASSEMBLY - DRYWALL HYDRAULIC GROUP .....	194
FIGURE 3-34. CARRIAGE ASSEMBLY - DRYWALL VALVE ASSEMBLY .....	196
FIGURE 3-35. CARRIAGE ASSEMBLY - DRYWALL CYLINDER .....	198
FIGURE 3-36. CARRIAGE ASSEMBLY - DRYWALL FORK GROUP .....	200
FIGURE 3-37. FORK - 1.6INX6INX60IN LUMBER FORK .....	202
FIGURE 3-38. FORK - 2INX2INX48IN BLOCK FORK .....	204
FIGURE 3-39. FORK - 2INX6INX48IN TAPERED FORK .....	206
FIGURE 3-40. FORK - 2INX6INX72IN LUMBER FORK .....	208
FIGURE 3-41. FORK - 2INX7INX60IN LUMBER FORK .....	210
FIGURE 3-42. FORK - 2.36INX4INX48IN PALLET FORK .....	212
FIGURE 3-43. FORK - 2.36INX4INX48IN PALLET FORK (DUAL:FORK POSITIONING) .....	214
FIGURE 3-44. FORK - 2.36INX4INX60IN PALLET FORK (DUAL:FORK POSITIONING) .....	216
FIGURE 3-45. FORK - 2.36INX5INX48IN PALLET FORK (WITH OR WITHOUT DUAL FORK POSITIONING) .....	218
FIGURE 3-46. FORK - 2.36INX5INX60IN PALLET FORK (WITH OR WITHOUT DUAL FORK POSITIONING) .....	220
FIGURE 3-47. FORK - 2.36INX5INX72IN PALLET FORK (DUAL:FORK POSITIONING) .....	222
FIGURE 3-48. FORK - 2.36INX6INX60IN PALLET FORK .....	224
FIGURE 3-49. FORK CLAMPS INSTALLATION .....	226
FIGURE 3-50. FORK EXTENSION - 90IN .....	228
FIGURE 3-51. HOOK - COUPLER MOUNTED .....	230
FIGURE 3-52. HOOK - FORK MOUNTED .....	232
FIGURE 3-53. MAST - 8FT .....	234
FIGURE 3-54. MAST - 8FT SIDE TILT .....	238
FIGURE 3-55. MAST CYLINDER ASSEMBLY .....	242
FIGURE 3-56. MAST DECAL KIT .....	244
FIGURE 3-57. PIPE HANDLER .....	246
FIGURE 3-58. SWEEPER ASSEMBLY .....	250
FIGURE 3-59. SWEEPER - HOPPER ASSEMBLY .....	252
FIGURE 3-60. SWEEPER - BODY ASSEMBLY .....	254
FIGURE 3-61. SWEEPER - MOTOR ASSEMBLY .....	256
FIGURE 3-62. SWEEPER - IDLER ASSEMBLY .....	258
FIGURE 3-63. SWEEPER - CORE ASSEMBLY .....	260
FIGURE 3-64. SWEEPER - HYDRAULIC SINGLE MOTOR ASSEMBLY .....	262
FIGURE 3-65. TRASH HOPPER .....	264
 SECTION 4 - ENGINE AND ATTACHING PARTS .....	 267
FIGURE 4-1. ENGINE INSTALLATION (ULS) .....	268
FIGURE 4-2. ENGINE INSTALLATION (LS) .....	270
FIGURE 4-3. 3.8L ENGINE (ULS) .....	272
FIGURE 4-4. 3.8L ENGINE (LS) .....	274
FIGURE 4-5. FUEL LINES INSTALLATION (ULS) .....	276
FIGURE 4-6. FUEL LINES INSTALLATION (LS) .....	280
FIGURE 4-7. PRIMARY FUEL FILTER INSTALLATION (ULS) .....	284

# TABLE OF CONTENTS

FIGURE 4-8. PRIMARY FUEL FILTER INSTALLATION (LS) .....	286
FIGURE 4-9. FUEL TANK ASSEMBLY .....	288
FIGURE 4-10. COOLING PACKAGE INSTALLATION (ULS) .....	290
FIGURE 4-11. COOLING PACKAGE INSTALLATION (LS) .....	292
FIGURE 4-12. RADIATOR COOLING PACKAGE .....	294
FIGURE 4-13. HOC LINES INSTALLATION .....	296
FIGURE 4-14. COOLANT LINES INSTALLATION (ULS) .....	298
FIGURE 4-15. COOLANT LINES INSTALLATION (LS) .....	300
FIGURE 4-16. CAC LINES INSTALLATION (ULS) .....	302
FIGURE 4-17. CAC LINES INSTALLATION (LS) .....	304
FIGURE 4-18. TOC LINES INSTALLATION .....	306
FIGURE 4-19. SURGE TANK INSTALLATION .....	308
FIGURE 4-20. FAN INSTALLATION .....	310
FIGURE 4-21. FAN GUARD INSTALLATION .....	312
FIGURE 4-22. AIR INTAKE LINES INSTALLATION (ULS) .....	314
FIGURE 4-23. AIR CLEANER LINES INSTALLATION (LS) .....	316
FIGURE 4-24. AIR CLEANER INSTALLATION (ULS) .....	318
FIGURE 4-25. AIR CLEANER INSTALLATION (LS) .....	320
FIGURE 4-26. AIR CLEANER ASSEMBLY (90/100KW) .....	322
FIGURE 4-27. AIR INTAKE DUCT INSTALLATION .....	324
FIGURE 4-28. EXHAUST INSTALLATION (ULS) .....	326
FIGURE 4-29. EXHAUST INSTALLATION (LS) .....	328
FIGURE 4-30. MUFFLER INSTALLATION (LS) .....	330
FIGURE 4-31. DEF LINES INSTALLATION .....	332
FIGURE 4-32. DEF PUMP LINES INSTALLATION .....	334
FIGURE 4-33. DEF TANK INSTALLATION .....	336
FIGURE 4-34. DEF PUMP AND CONTROL INSTALLATION .....	338
FIGURE 4-35. UREA PUMP .....	340
FIGURE 4-36. DEF TANK ASSEMBLY .....	342
FIGURE 4-37. DEF BREATHER VALVE .....	344
FIGURE 4-38. ENGINE PARTS INSTALLATION (NO HEATER) .....	346
FIGURE 4-39. ENGINE PARTS INSTALLATION (HEATER) .....	348
FIGURE 4-40. A/C PUMP INSTALLATION (ULS) .....	350
FIGURE 4-41. A/C PUMP INSTALLATION (LS) .....	352
FIGURE 4-42. A/C LINES INSTALLATION .....	354
FIGURE 4-43. FUEL CAP ASSEMBLY .....	356
FIGURE 4-44. HEATER BREATHER .....	358
FIGURE 4-45. AIR INTAKE SHUT OFF VALVE INSTALLATION .....	360
SECTION 5 - DRIVE TRAIN .....	363
FIGURE 5-1. TRANSMISSION INSTALLATION .....	364
FIGURE 5-2. POWERSHIFT TRANSMISSION .....	366
FIGURE 5-3. TRANSMISSION, ENGINE CONNECTION .....	368
FIGURE 5-4. TRANSMISSION, CONVERTER .....	370
FIGURE 5-5. TRANSMISSION, INPUT .....	372
FIGURE 5-6. TRANSMISSION, HOUSING GROUP 1 .....	374
FIGURE 5-7. TRANSMISSION, HOUSING GROUP 2 .....	376
FIGURE 5-8. TRANSMISSION, CLUTCH GROUP 1 .....	378
FIGURE 5-9. TRANSMISSION, CLUTCH GROUP 2 .....	380
FIGURE 5-10. TRANSMISSION, COUPLING GROUP 1 .....	382
FIGURE 5-11. TRANSMISSION, COUPLING GROUP 2 .....	384
FIGURE 5-12. TRANSMISSION, COUPLING GROUP 3 .....	386
FIGURE 5-13. TRANSMISSION, COUPLING GROUP 4 .....	388
FIGURE 5-14. TRANSMISSION, OUTPUT .....	390
FIGURE 5-15. TRANSMISSION, POWER TAKE-OFF .....	392
FIGURE 5-16. TRANSMISSION, CONTROL UNIT .....	394
FIGURE 5-17. TRANSMISSION, SHIFT SYSTEM .....	396
FIGURE 5-18. TRANSMISSION, PRESSURE REGULATOR .....	398
FIGURE 5-19. TRANSMISSION, PRESSURE OIL PUMP .....	400
FIGURE 5-20. TRANSMISSION, INDUCTIVE TRANSMITTER .....	402
FIGURE 5-21. TRANSMISSION, FILTER .....	404
FIGURE 5-22. TRANSMISSION, OIL DIPSTICK .....	406
FIGURE 5-23. TRANSMISSION, ACCESSORIES .....	408
FIGURE 5-24. TRANSMISSION, TRANSFER BOX HOUSING 1 .....	410
FIGURE 5-25. TRANSMISSION, TRANSFER BOX HOUSING 2 .....	412
FIGURE 5-26. TRANSMISSION, TRANSFER BOX HOUSING INPUT .....	414

# TABLE OF CONTENTS

FIGURE 5-27. TRANSMISSION, TRANSFER BOX HOUSING OUTPUT 1 .....	416
FIGURE 5-28. TRANSMISSION, TRANSFER BOX HOUSING OUTPUT 2 .....	418
FIGURE 5-29. DRIVE TRAIN INSTALLATION .....	420
FIGURE 5-30. DRIVE SHAFTS INSTALLATION .....	422
FIGURE 5-31. FRONT DRIVE SHAFT INSTALLATION .....	424
FIGURE 5-32. FRONT MID SHAFT INSTALLATION .....	426
FIGURE 5-33. FRONT MID DRIVE SHAFT .....	428
FIGURE 5-34. REAR DRIVE SHAFT INSTALLATION .....	430
FIGURE 5-35. REAR DRIVE SHAFT ASSEMBLY .....	432
FIGURE 5-36. REAR DRIVE SHAFT .....	434
FIGURE 5-37. FRONT AXLE INSTALLATION .....	436
FIGURE 5-38. FRONT AXLE MOUNTING INSTALLATION .....	438
FIGURE 5-39. FRONT AXLE .....	440
FIGURE 5-40. FRONT AXLE, CENTRAL HOUSING .....	442
FIGURE 5-41. FRONT AXLE, DIFFERENTIAL .....	444
FIGURE 5-42. FRONT AXLE, HUB REDUCTION .....	446
FIGURE 5-43. FRONT AXLE, BRAKES .....	448
FIGURE 5-44. FRONT AXLE, STEERING .....	450
FIGURE 5-45. FRONT AXLE, TRUNION .....	452
FIGURE 5-46. FRONT AXLE, DIFFERENTIAL KIT .....	454
FIGURE 5-47. FRONT AXLE, STEERING ADJUSTING BOLT KIT .....	456
FIGURE 5-48. FRONT AXLE, RING GEAR SUPPORT KIT .....	458
FIGURE 5-49. FRONT AXLE, PLANET GEAR CARRIER KIT .....	460
FIGURE 5-50. FRONT AXLE, REDUCTION BUSHING .....	462
FIGURE 5-51. FRONT AXLE, SUPPORT ASSEMBLY (LF, RR) .....	464
FIGURE 5-52. FRONT AXLE, SUPPORT ASSEMBLY (RF, LR) .....	466
FIGURE 5-53. FRONT AXLE, STEERING CASE ASSEMBLY (LF, RR) .....	468
FIGURE 5-54. FRONT AXLE, STEERING CASE ASSEMBLY (RF, LR) .....	470
FIGURE 5-55. REAR AXLE INSTALLATION .....	472
FIGURE 5-56. REAR AXLE MOUNTING INSTALLATION .....	474
FIGURE 5-57. REAR AXLE .....	476
FIGURE 5-58. REAR AXLE, CENTRAL HOUSING .....	478
FIGURE 5-59. REAR AXLE, DIFFERENTIAL .....	480
FIGURE 5-60. REAR AXLE, HUB REDUCTION .....	482
FIGURE 5-61. REAR AXLE, BRAKES .....	486
FIGURE 5-62. REAR AXLE, STEERING .....	488
FIGURE 5-63. REAR AXLE, TRUNION .....	490
FIGURE 5-64. LSI AXLE SENSOR INSTALLATION .....	492
FIGURE 5-65. TIRE/WHEEL SET 14-24 16PR - AIR .....	494
FIGURE 5-66. TIRE/WHEEL SET - 14.00-24 FOAM FILLED .....	496
FIGURE 5-67. TIRE/WHEEL SET - 14.00-24 E-3 FOAM FILLED .....	498
FIGURE 5-68. TIRE/WHEEL SET - 17.50-25 AIR .....	500
FIGURE 5-69. TIRE/WHEEL SET - 17.50-25 - FOAM FILLED .....	502
FIGURE 5-70. TIRE SET - 18 X 625 (TURF AND SAND PNEUMATIC) .....	504
FIGURE 5-71. TIRE/WHEEL SET 360/85-28 - SOLID .....	506
FIGURE 5-72. TIRE/WHEEL SET 400/75-28 - AIR .....	508
FIGURE 5-73. TIRE/WHEEL SET - 400/75-28 - PNEUMATIC NON MARKING .....	510
FIGURE 5-74. TIRE/WHEEL SET 400/75-28 - FOAM FILLED .....	512
FIGURE 5-75. TIRE/WHEEL SET 400/75-28 - FOAM FILLED NON MARKING .....	514
FIGURE 5-76. FENDER INSTALLATION .....	516
FIGURE 5-77. WHEEL CHOCK INSTALLATION .....	518
SECTION 6 - CAB .....	521
FIGURE 6-1. CAB MOUNTING .....	522
FIGURE 6-2. CAB MOUNTS INSTALLATION .....	524
FIGURE 6-3. FRONT CAB OUTRIGGER INSTALLATION .....	526
FIGURE 6-4. CAB FENDER INSTALLATION .....	528
FIGURE 6-5. CAB FENDER INSTALLATION REAR (LH) .....	530
FIGURE 6-6. CAB GUARD INSTALLATION (TOP) .....	532
FIGURE 6-7. CAB GUARD INSTALLATION (FRONT) .....	534
FIGURE 6-8. CAB GUARD INSTALLATION (TOP AND FRONT) .....	536
FIGURE 6-9. OROPS CAB INSTALLATION .....	538
FIGURE 6-10. EROPS CAB INSTALLATION .....	540
FIGURE 6-11. LSI ENCLOSED CAB INSTALLATION .....	542
FIGURE 6-12. LSI OPEN CAB INSTALLATION .....	544
FIGURE 6-13. CAB, TRIM KIT .....	546



# TABLE OF CONTENTS

FIGURE 6-14. CAB, TRIM KIT .....	548
FIGURE 6-15. CAB, EPD CAULK .....	550
FIGURE 6-16. OPEN CAB ASSEMBLY .....	552
FIGURE 6-17. OPEN CAB PLUG GROUP .....	554
FIGURE 6-18. OPEN CAB, LSI DISPLAY INSTALLATION .....	556
FIGURE 6-19. ENCLOSED CAB ASSEMBLY .....	558
FIGURE 6-20. REAR WINDOW INSTALLATION .....	560
FIGURE 6-21. DOOR INSTALLATION .....	562
FIGURE 6-22. ENCLOSED CAB PLUG GROUP .....	564
FIGURE 6-23. LSI DISPLAY INSTALLATION .....	566
FIGURE 6-24. BASIC MIRROR INSTALLATION .....	568
FIGURE 6-25. FRONT COVER INSTALLATION .....	570
FIGURE 6-26. LEVEL INDICATOR INSTALLATION .....	572
FIGURE 6-27. FRONT WIPER INSTALLATION .....	574
FIGURE 6-28. WASHER TANK INSTALLATION .....	576
FIGURE 6-29. REAR WINDOW INSTALLATION (WO/WIPER) (ANSI) .....	578
FIGURE 6-30. REAR WINDOW INSTALLATION (WO/WIPER) (ISO) .....	580
FIGURE 6-31. REAR WINDOW INSTALLATION (WO/WIPER) (ENG/SPAN) .....	582
FIGURE 6-32. HEADLINER INSTALLATION .....	584
FIGURE 6-33. OPEN CAB TRIM INSTALLATION .....	586
FIGURE 6-34. ENCLOSED CAB TRIM INSTALLATION .....	590
FIGURE 6-35. OPEN CAB FRONT COVER .....	594
FIGURE 6-36. ENCLOSED CAB FRONT COVER .....	596
FIGURE 6-37. SEAT INSTALLATION .....	598
FIGURE 6-38. SEAT INSTALLATION - VINYL .....	600
FIGURE 6-39. SEAT .....	602
FIGURE 6-40. SEAT ASSEMBLY - VINYL .....	604
FIGURE 6-41. ARMREST .....	606
FIGURE 6-42. SEAT BELT INSTALLATION (3 INCH) .....	608
FIGURE 6-43. HEATER INSTALLATION .....	610
FIGURE 6-44. HEATER AND A/C INSTALLATION (CAB PARTS) .....	612
FIGURE 6-45. HEATER ASSEMBLY .....	616
FIGURE 6-46. HEATER ASSEMBLY .....	618
FIGURE 6-47. HEATER AND A/C ASSEMBLY .....	620
FIGURE 6-48. HEATER AND A/C ASSEMBLY .....	622
FIGURE 6-49. CAB CONDENSER ASSEMBLY .....	624
FIGURE 6-50. A/C RECEIVER DRIER .....	626
FIGURE 6-51. CONDENSER .....	628
FIGURE 6-52. REAR WIPER INSTALLATION .....	630
FIGURE 6-53. ROOF WIPER INSTALLATION .....	632
FIGURE 6-54. ROOF CAP INSTALLATION (A/C) .....	634
FIGURE 6-55. ROOF CAP INSTALLATION (NO A/C) .....	636
FIGURE 6-56. NON SKID TAPE INSTALLATION .....	638
FIGURE 6-57. EXTERNAL WINDOW RELEASE INSTALLATION (CAN & ISO) .....	640
FIGURE 6-58. SWITCH LIGHT INSTALLATION .....	642
FIGURE 6-59. ROOF PIGTAIL CAP INSTALLATION .....	644
FIGURE 6-60. NO SUNSCREEN INSTALLATION .....	646
FIGURE 6-61. RETRACTABLE SUNSCREEN INSTALLATION .....	648
FIGURE 6-62. REAR WINDOW EXIT DECAL INSTALLATION .....	650
FIGURE 6-63. FILTER TRAY PANEL .....	652
FIGURE 6-64. FRONT DUCT COVER .....	654
FIGURE 6-65. WASHER BOTTLE .....	656
FIGURE 6-66. REAR WINDOW ASSEMBLY .....	658
FIGURE 6-67. DOOR UPPER GLASS ASSEMBLY .....	660
FIGURE 6-68. CAB LATCH ASSEMBLY .....	662
FIGURE 6-69. CAB DOOR TRIGGER ASSEMBLY .....	664
FIGURE 6-70. DOOR ASSEMBLY .....	666
FIGURE 6-71. DOOR STRAP INSTALLATION .....	668
FIGURE 6-72. CAB DOOR .....	670
FIGURE 6-73. FIRE EXTINGUISHER INSTALLATION .....	672
SECTION 7 - CONTROLS .....	675
FIGURE 7-1. ACCELERATOR PEDAL INSTALLATION .....	676
FIGURE 7-2. ACCELERATOR PEDAL .....	678
FIGURE 7-3. BRAKE PEDAL INSTALLATION .....	680
FIGURE 7-4. BRAKE PEDAL .....	682

# TABLE OF CONTENTS

FIGURE 7-5. BRAKE PEDAL PLATE .....	684
FIGURE 7-6. STEERING COLUMN INSTALLATION NO FNR LEVER .....	686
FIGURE 7-7. STEERING COLUMN INSTALLATION .....	688
FIGURE 7-8. STEERING WHEEL INSTALLATION .....	690
FIGURE 7-9. STEERING WHEEL .....	692
FIGURE 7-10. HORN BUTTON INSTALLATION .....	694
FIGURE 7-11. JOYSTICK INSTALLATION (2 ROLLER, 0 BUTTON) .....	696
FIGURE 7-12. OUTRIGGER SWITCHES INSTALLATION .....	698
FIGURE 7-13. COLUMN CLAMP INSTALLATION .....	700
FIGURE 7-14. JOYSTICK .....	702
FIGURE 7-15. WIPER-TURN SWITCH INSTALLATION .....	704
 SECTION 8 - HYDRAULIC CIRCUITS .....	 707
FIGURE 8-1. MAIN HYDRAULICS INSTALLATION .....	708
FIGURE 8-2. AXLE (FRONT) LINES INSTALLATION .....	712
FIGURE 8-3. AXLE (REAR) LINES INSTALLATION .....	714
FIGURE 8-4. BOOM HYDRAULIC INSTALLATION .....	716
FIGURE 8-5. BOOM HYDRAULIC TUBES INSTALLATION .....	718
FIGURE 8-6. BOOM HOSES INSTALLATION .....	722
FIGURE 8-7. BOOM AUXILIARY HYDRAULIC INSTALLATION .....	724
FIGURE 8-8. BOOM AUXILIARY HYDRAULIC INSTALLATION WITH HYDRAULIC COUPLER .....	726
FIGURE 8-9. CAB HYDRAULIC INSTALLATION .....	728
FIGURE 8-10. COUPLER VALVE & FITTING ASSEMBLY .....	730
FIGURE 8-11. ENGINE BAY HYDRAULIC INSTALLATION .....	732
FIGURE 8-12. EXTEND/RETRACT CYLINDER VALVE INSTALLATION .....	736
FIGURE 8-13. FRAME HYDRAULIC INSTALLATION .....	738
FIGURE 8-14. FRAME LEVEL AND OUTRIGGER VALVE INSTALLATION .....	742
FIGURE 8-15. FRAME LEVEL CLINDER & VALVE INSTALLATION .....	744
FIGURE 8-16. FRAME LEVEL AND OUTRIGGER VALVE & FITTINGS ASSEMBLY .....	746
FIGURE 8-17. LIFT CYLINDER VALVE INSTALLATION WITHOUT RIDE CONTROL .....	748
FIGURE 8-18. LIFT CYLINDER & FITTING ASSEMBLY - 1055 .....	750
FIGURE 8-19. LIFT CYLINDER & FITTING ASSEMBLY - 1255 .....	752
FIGURE 8-20. MAIN CONTROL VALVE INSTALLATION .....	754
FIGURE 8-21. MAIN CONTROL VALVE & FITTINGS ASSEMBLY .....	756
FIGURE 8-22. PIPE HANDLER VALVE & FITTINGS ASSEMBLY .....	758
FIGURE 8-23. PISTON PUMP INSTALLATION .....	760
FIGURE 8-24. PISTON PUMP & FITTINGS ASSEMBLY .....	762
FIGURE 8-25. PRIORITY FUNCTION MANIFOLD INSTALLATION .....	764
FIGURE 8-26. PRIORITY FUNCTION MANIFOLD & FITTINGS ASSEMBLY .....	766
FIGURE 8-27. REAR STABILIZER CYLINDER & VALVE INSTALLATION .....	768
FIGURE 8-28. RIDE CONTROL INSTALLATION - 1055 .....	770
FIGURE 8-29. RIDE CONTROL INSTALLATION - 1255 .....	772
FIGURE 8-30. RIDE CONTROL HYDRAULIC LINES .....	774
FIGURE 8-31. SAHR BRAKE VALVE INSTALLATION .....	776
FIGURE 8-32. SAHR BRAKE VALVE & FITTINGS ASSEMBLY .....	778
FIGURE 8-33. STEER COLUMN CHECK VALE & FITTINGS ASSEMBLY .....	780
FIGURE 8-34. STEER SELECT VALVE INSTALLATION .....	782
FIGURE 8-35. STEER SELECT VALVE & FITTINGS ASSEMBLY .....	784
 SECTION 9 - HYDRAULIC COMPONENTS .....	 787
FIGURE 9-1. CYLINDER GROUP INSTALLATION (1055) .....	788
FIGURE 9-2. CYLINDER GROUP INSTALLATION (1255) .....	790
FIGURE 9-3. CYLINDER ASSEMBLY - BUCKET (GRAPPLE) .....	792
FIGURE 9-4. CYLINDER ASSEMBLY - CARRIAGE DUAL FORKS .....	794
FIGURE 9-5. CYLINDER ASSEMBLY - CARRIAGE SIDE SHIFT .....	796
FIGURE 9-6. CYLINDER ASSEMBLY - CARRIAGE SIDE SHIFT .....	798
FIGURE 9-7. CYLINDER ASSEMBLY - CARRIAGE SIDE TILT .....	800
FIGURE 9-8. CYLINDER ASSEMBLY - CARRIAGE SWING .....	802
FIGURE 9-9. CYLINDER ASSEMBLY - COMPENSATION (1055) .....	804
FIGURE 9-10. CYLINDER ASSEMBLY - COMPENSATION (1255) .....	806
FIGURE 9-11. CYLINDER ASSEMBLY - COUPLER .....	808
FIGURE 9-12. CYLINDER ASSEMBLY - EXTENT/RETRACT .....	810
FIGURE 9-13. CYLINDER ASSEMBLY - FORK POSITIONING .....	812
FIGURE 9-14. CYLINDER ASSEMBLY - FRAME LEVEL .....	814
FIGURE 9-15. CYLINDER ASSEMBLY - LIFT (1055) .....	816

# TABLE OF CONTENTS

FIGURE 9-16. CYLINDER ASSEMBLY - LIFT (1255) (Prior to SN 0160110381) .....	818
FIGURE 9-17. CYLINDER ASSEMBLY - LIFT (1255) (SN 0160110381 to Present) .....	820
FIGURE 9-18. CYLINDER ASSEMBLY - OUTRIGGER .....	822
FIGURE 9-19. CYLINDER ASSEMBLY - PIPE HANDLER .....	824
FIGURE 9-20. CYLINDER ASSEMBLY - STABILIZER (REAR AXLE) .....	826
FIGURE 9-21. CYLINDER & FITTINGS ASSEMBLY - TILT (1055) .....	828
FIGURE 9-22. CYLINDER & FITTINGS ASSEMBLY - TILT (1255) .....	830
FIGURE 9-23. CYLINDER ASSEMBLY - TILT (1055) .....	832
FIGURE 9-24. CYLINDER ASSEMBLY - TILT (1255) .....	834
FIGURE 9-25. PUMP ASSEMBLY - PISTON .....	836
FIGURE 9-26. TANK ASSEMBLY - HYDRAULIC .....	838
FIGURE 9-27. TANK FILTER ASSEMBLY - HYDRAULIC .....	840
FIGURE 9-28. VALVE ASSEMBLY - AIR SHUT OFF .....	842
FIGURE 9-29. VALVE ASSEMBLY - COUNTERBALANCE .....	844
FIGURE 9-30. VALVE ASSEMBLY - COUPLER DIVERTER .....	846
FIGURE 9-31. VALVE ASSEMBLY - FLOW DIVIDER (CARRIAGE WITH DUAL FORKS) .....	848
FIGURE 9-32. VALVE ASSEMBLY - FRAME & OUTRIGGER .....	850
FIGURE 9-33. VALVE ASSEMBLY - MAIN CONTROL .....	852
FIGURE 9-34. VALVE ASSEMBLY - PRIORITY MANIFOLD VALVE .....	854
FIGURE 9-35. VALVE ASSEMBLY - SAHR BRAKE .....	856
FIGURE 9-36. VALVE ASSEMBLY - STABILIZER (REAR AXLE) .....	858
FIGURE 9-37. VALVE ASSEMBLY - STEER VALVE .....	860
FIGURE 9-38. VALVE ASSEMBLY - STEER VALVE (ORBITAL) .....	862
SECTION 10 - ELECTRICAL .....	865
FIGURE 10-1. MAIN ELECTRICAL INSTALLATION (ULS) .....	866
FIGURE 10-2. MAIN ELECTRICAL INSTALLATION (LS) .....	868
FIGURE 10-3. AIR SHUT OFF VALVE HARNESS .....	870
FIGURE 10-4. AIR SHUT OFF VALVE HARNESS (ENGINE) .....	872
FIGURE 10-5. ALARM INSTALLATION - BACKUP .....	876
FIGURE 10-6. ALARM INSTALLATION - WHITE NOISE .....	878
FIGURE 10-7. ARCTIC COLD WEATHER PACKAGE INSTALLATION (ULS) .....	880
FIGURE 10-8. ARCTIC COLD WEATHER PACKAGE INSTALLATION (LS) .....	882
FIGURE 10-9. BATTERY INSTALLATION .....	884
FIGURE 10-10. BATTERY INSTALLATION - ARCTIC .....	886
FIGURE 10-11. BEACON INSTALLATION .....	888
FIGURE 10-12. BOOM ANGLE SENSOR INSTALLATION .....	890
FIGURE 10-13. BOOM ANGLE SENSOR INSTALLATION (CAN ONLY) .....	892
FIGURE 10-14. BOOM AUXILIARY ELECTRIC INSTALLATION .....	894
FIGURE 10-15. BOOM AUXILIARY ELECTRIC HARNESS INSTALLATION .....	896
FIGURE 10-16. BOOM AUXILIARY ELECTRIC HARNESS .....	898
FIGURE 10-17. CAB ELECTRICAL INSTALLATION .....	900
FIGURE 10-18. CAB HARNESS .....	902
FIGURE 10-19. CAB (ENCLOSED) ELECTRICAL INSTALLATION WITH OPTIONS .....	906
FIGURE 10-20. CAB (OPEN) ELECTRICAL INSTALLATION WITH OPTIONS .....	908
FIGURE 10-21. CAB HARNESS - OPTION 1 .....	910
FIGURE 10-22. CAB HARNESS - OPTION 2 .....	914
FIGURE 10-23. CAB - OPTION HARNESS .....	916
FIGURE 10-24. CAB ALARM HARNESS - SEAT BELT .....	918
FIGURE 10-25. CAB - A/C OPTION HARNESS .....	920
FIGURE 10-26. CAB - COMMUNICATION ANALYZER CABLE .....	922
FIGURE 10-27. CAB - DASH ELECTRICAL INSTALLATION (LS) .....	924
FIGURE 10-28. CAB - DASH ELECTRICAL INSTALLATION (ULS) .....	926
FIGURE 10-29. CAB FUSE BOARD ASSEMBLY - STANDARD .....	928
FIGURE 10-30. CAB FUSE BOARD ASSEMBLY - OPTION 1 .....	930
FIGURE 10-31. CAB FUSE BOARD ASSEMBLY - OPTION 2 .....	932
FIGURE 10-32. CAB KEY HARNESS .....	934
FIGURE 10-33. CAB - MULTIFUNCTION DISPLAY INSTALLATION .....	936
FIGURE 10-34. CAMERA INSTALLATION - REVERSE .....	938
FIGURE 10-35. CAMERA HARNESS (REVERSE CAMERA) .....	940
FIGURE 10-36. CAMERA INSTALLATION - REVERSE WITHOUT HED .....	942
FIGURE 10-37. CLEARSKY/TELEMATICS INSTALLATION - 3-WIRE (NA) .....	944
FIGURE 10-38. CLEARSKY/TELEMATICS INSTALLATION - 3-WIRE (CE) .....	946
FIGURE 10-39. CLEARSKY/TELEMATICS HARNESS - 3-WIRE .....	948
FIGURE 10-40. CLEARSKY/TELEMATICS INSTALLATION - CANBUS (NA) .....	950
FIGURE 10-41. CLEARSKY/TELEMATICS INSTALLATION - CANBUS (CE) .....	952

# TABLE OF CONTENTS

FIGURE 10-42. CLEARSKY/TELEMATICS CANBUS HARNESS .....	954
FIGURE 10-43. CLEARSKY/TELEMATICS CANBUS ADAPTER HARNESS .....	956
FIGURE 10-44. CLEAR SKY/TELEMATICS READY INSTALLATION.....	958
FIGURE 10-45. CLEARSKY/TELEMATICS READY HARNESS .....	960
FIGURE 10-46. CLEARSKY/TELEMATICS INSTALLATION (CUSTOMER SUPPLIED) .....	962
FIGURE 10-47. CLEARSKY/TELEMATICS HARNESS - CUSTOMER SUPPLIED VERSION .....	964
FIGURE 10-48. DEF PURGE LIGHT HARNESS.....	966
FIGURE 10-49. ENGINE BAY ELECTRICAL INSTALLATION (LS) .....	968
FIGURE 10-50. ENGINE BAY ELECTRICAL INSTALLATION (ULS) .....	970
FIGURE 10-51. ENGINE BAY WIRING INSTALLATION (LS) .....	972
FIGURE 10-52. ENGINE BAY WIRING INSTALLATION (ULS) .....	976
FIGURE 10-53. ENGINE WIRING INSTALLATION (LS).....	980
FIGURE 10-54. ENGINE WIRING INSTALLATION (ULS) .....	984
FIGURE 10-55. ENGINE HARNESS .....	988
FIGURE 10-56. ENGINE HARNESS .....	992
FIGURE 10-57. ENGINE ECU INSTALLATION (LS) .....	996
FIGURE 10-58. ENGINE ECU INSTALLATION (ULS).....	998
FIGURE 10-59. ENGINE/FRAME HARNESS .....	1000
FIGURE 10-60. FRAME ELECTRICAL INSTALLATION.....	1004
FIGURE 10-61. FRAME POWER DISTRIBUTION ELECTRICAL BOX .....	1008
FIGURE 10-62. FRAME WIRING INSTALLATION (LS) .....	1010
FIGURE 10-63. FRAME WIRING INSTALLATION (ULS) .....	1012
FIGURE 10-64. FRAME HARNESS - FRONT .....	1014
FIGURE 10-65. FRAME HARNESS - REAR .....	1018
FIGURE 10-66. HEATER INSTALLATION - FUEL FILTER .....	1022
FIGURE 10-67. HEATER INSTALLATION - TANK (HYDRAULIC) .....	1024
FIGURE 10-68. LIGHTS - ROADLIGHTS INSTALLATION .....	1026
FIGURE 10-69. LIGHTS - ROADLIGHTS DRIVING LIGHTS (LH) .....	1028
FIGURE 10-70. LIGHTS - ROADLIGHTS DRIVING LIGHTS (RH) .....	1030
FIGURE 10-71. LIGHTS - ROADLIGHTS DRIVING LIGHTS HARNESS .....	1032
FIGURE 10-72. LIGHTS - ROADLIGHTS TAILLIGHT (LH) .....	1034
FIGURE 10-73. LIGHTS - ROADLIGHTS TAILLIGHT (RH).....	1036
FIGURE 10-74. LIGHTS - TAILLIGHTS HARNESS .....	1038
FIGURE 10-75. LIGHTS - WORKLIGHTS & SWITCH INSTALLATION (BOOM MOUNTED) .....	1040
FIGURE 10-76. LIGHTS - WORKLIGHTS INSTALLATION (BOOM MOUNTED) .....	1042
FIGURE 10-77. LIGHTS - WORKLIGHTS HARNESS (BOOM MOUNTED).....	1044
FIGURE 10-78. LIGHTS - WORKLIGHTS INSTALLATION (CAB MOUNTED) (WITH A/C) .....	1046
FIGURE 10-79. LIGHTS - WORKLIGHTS INSTALLATION (CAB MOUNTED) (WITHOUT A/C) .....	1048
FIGURE 10-80. LSI HARNESS - BOOM RETRACT .....	1050
FIGURE 10-81. PLATFORM HARNESS .....	1052
FIGURE 10-82. REVERSE SENSOR INSTALLATION .....	1054
FIGURE 10-83. REVERSE SENSOR HARNESS.....	1056
FIGURE 10-84. RIDE CONTROL HARNESS INSTALLATION .....	1058
FIGURE 10-85. RIDE CONTROL BOOM FLAT HARNESS.....	1060
FIGURE 10-86. ROOF PIGTAIL HARNESS INSTALLATION .....	1062
FIGURE 10-87. ROOF PIGTAIL HARNESS .....	1064
FIGURE 10-88. TBAP HARNESS.....	1066
FIGURE 10-89. USB CHARGER INSTALLATION.....	1068
SECTION 11 - DECALS .....	1071
FIGURE 11-1. CAPACITY CHART HOLDER INSTALLATION .....	1072
FIGURE 11-2. DECAL INSTALLATION - 1055 .....	1074
FIGURE 11-3. DECAL INSTALLATION - 1255 .....	1076
FIGURE 11-4. DECAL INSTALLATION (ANSI) .....	1078
FIGURE 11-5. DECAL INSTALLATION (ISO).....	1082
FIGURE 11-6. DECAL INSTALLATION.....	1084
FIGURE 11-7. DECAL INSTALLATION (ENGLISH/SPANISH) .....	1088
FIGURE 11-8. CAPACITY CHART (ANSI) - 1055 .....	1092
FIGURE 11-9. CAPACITY CHART (ANSI) - 1255 .....	1094
FIGURE 11-10. CAPACITY CHART (METRIC) - 1055 .....	1096
FIGURE 11-11. CAPACITY CHART (METRIC) - 1255 .....	1098
FIGURE 11-12. DECAL INSTALLATION - JLG (74HP) (Prior to SN 0160106386) .....	1100
FIGURE 11-13. DECAL INSTALLATION - JLG (74HP) (SN 0160106386 to Present).....	1102
FIGURE 11-14. DECAL INSTALLATION - JLG (110HP) .....	1104
FIGURE 11-15. REVERSE SENSOR SYSTEM DECAL (ENGLISH) .....	1106
FIGURE 11-16. REVERSE SENSOR SYSTEM DECAL .....	1108

# TABLE OF CONTENTS

FIGURE 11-17. REVERSE SENSING SYSTEM DECAL, (ENGLISH/FRENCH) .....	1110
FIGURE 11-18. REVERSE SENSOR SYSTEM DECAL (ENGLISH/SPANISH) .....	1112
FIGURE 11-19. CLEARSKY DECAL INSTALLATION .....	1114
SECTION 12 - RECOMMENDED SERVICE PARTS STOCK.....	1117
FIGURE 12-1. RECOMMENDED SERVICE PARTS STOCK .....	1118
SECTION 13 - SPECIAL OPTIONS/ACCESSORIES/KITS.....	1121
FIGURE 13-1. SPECIAL OPTIONS/ACCESSORIES/KITS .....	1122
PART NUMBER INDEX .....	1125

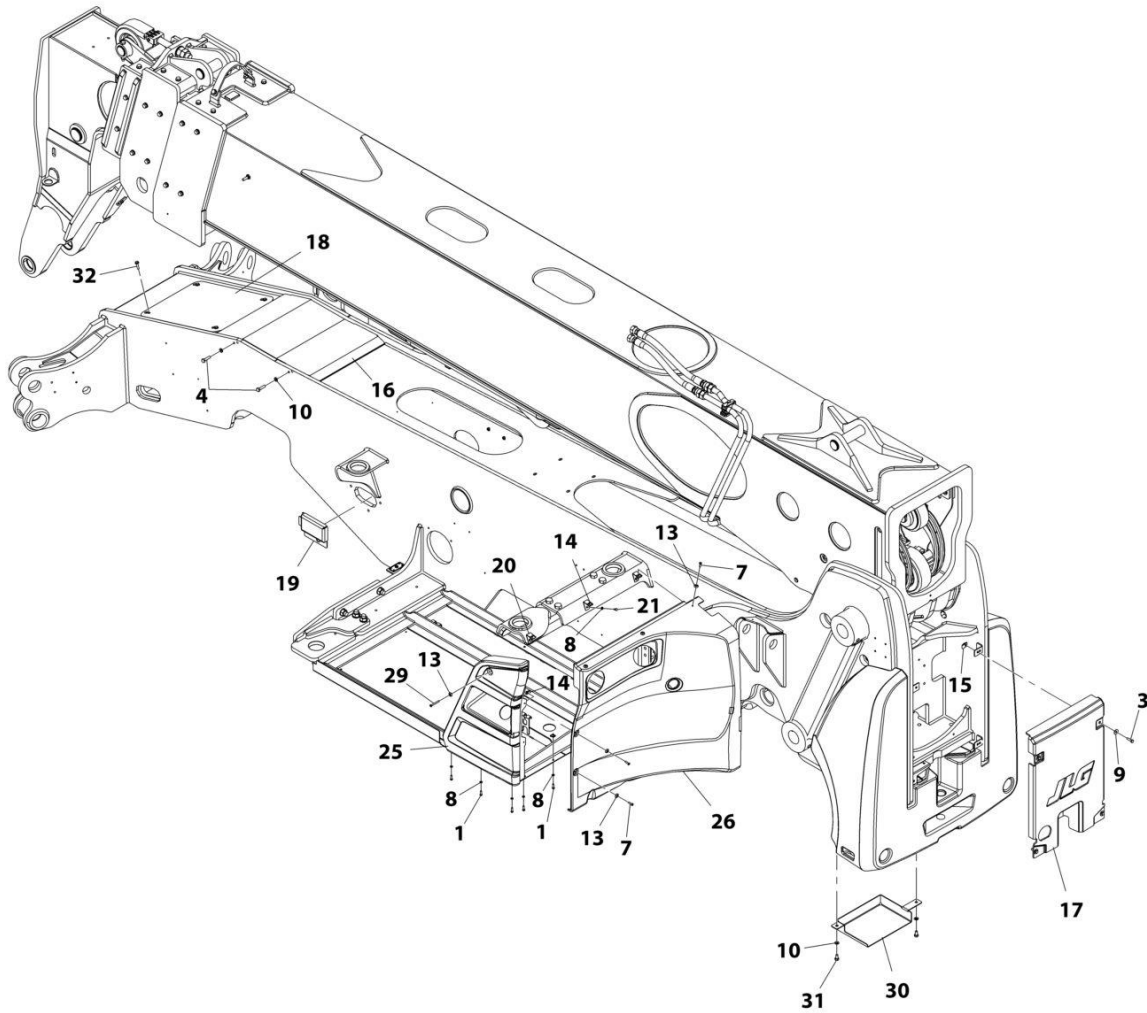


## **SECTION 1 - FRAME AND ATTACHING PARTS**

## **SECTION 1 - FRAME AND ATTACHING PARTS**

# SECTION 1 - FRAME AND ATTACHING PARTS

## FIGURE 1-1. FRAME COVER INSTALLATION (ULS)



ART\_1001160710-K



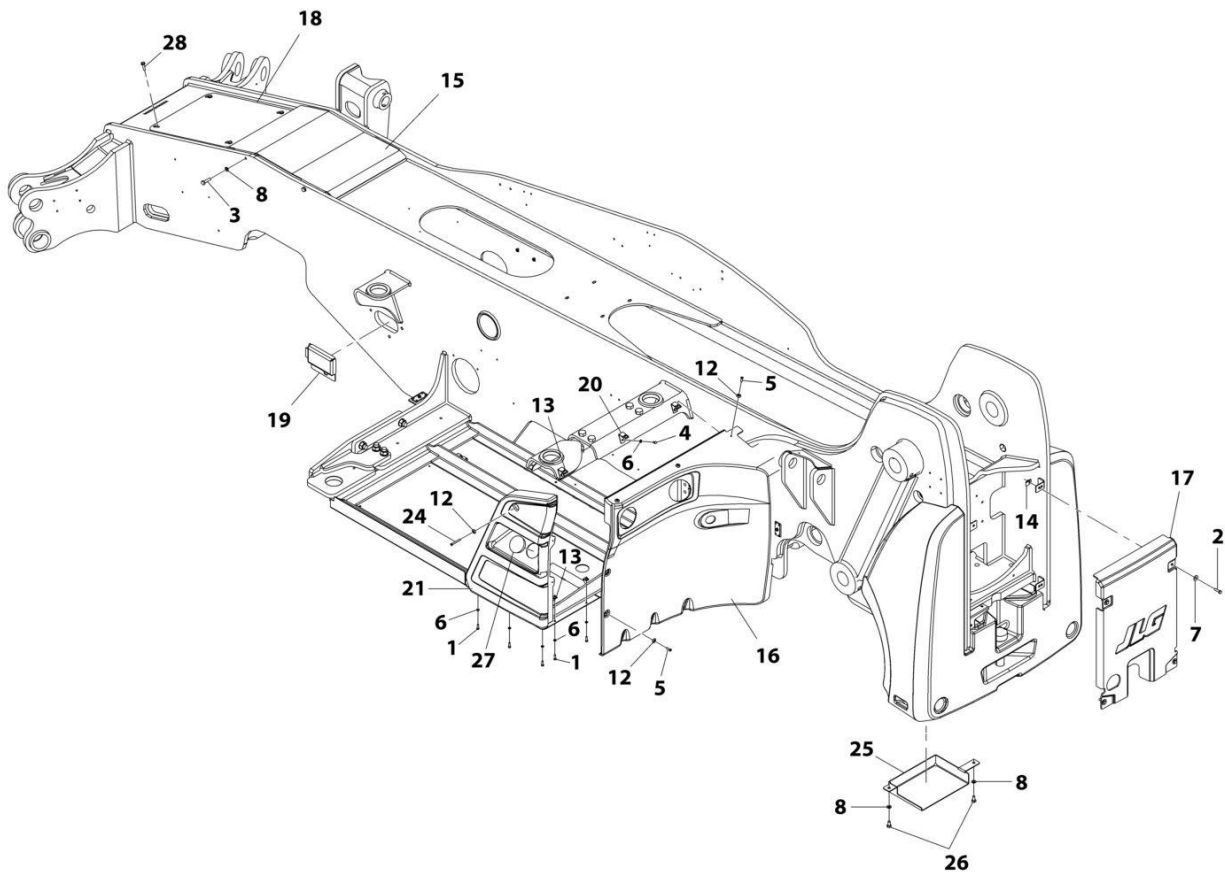
# SECTION 1 - FRAME AND ATTACHING PARTS

## FIGURE 1-1. FRAME COVER INSTALLATION (ULS)

ITEM	PART NUMBER	QTY	DESCRIPTION	REV
	1001160710	Ref	Frame Cover Installation (if equipped for ULS)	K
1	0700610	7	Bolt, M6X20	
3	0700814	4	Bolt, M8X30	
4	0701016	4	Bolt, M10X40	
7	3900379	5	Capscrew, M6-1X25	
8	4811700	10	Washer, M6	
9	4811902	4	Washer, M8	
10	4812000	6	Washer, M10	
13	1001097540	6	Washer, Nylon M6	
14	1001130220	12	Nut, M6	
15	1001149160	4	Nut, M8	
16	1001207299	1	Bracket, Battery Shield	
17	1001170645	1	Cover, Counterweight	
18	1001170665	1	Plate, Valve Cover	
19	1001201646	1	Shield, Inspection Port	
20	1001171772	3	Plate, Angle Bracket	
21	0760606	3	Screw, M6X12	
25	1001168760	1	Cover, Side Tank	
26	1001179548	1	Cover, Rear Tank	
29	1001112902	1	Screw, M6	
30	1001173468	1	Cover, Rear Frame Module	
31	0761010	2	Bolt, M10X20	
32	5250814	4	Bolt, M8X30	

# SECTION 1 - FRAME AND ATTACHING PARTS

## FIGURE 1-2. FRAME COVER INSTALLATION (LS)



ART\_1001172638-K

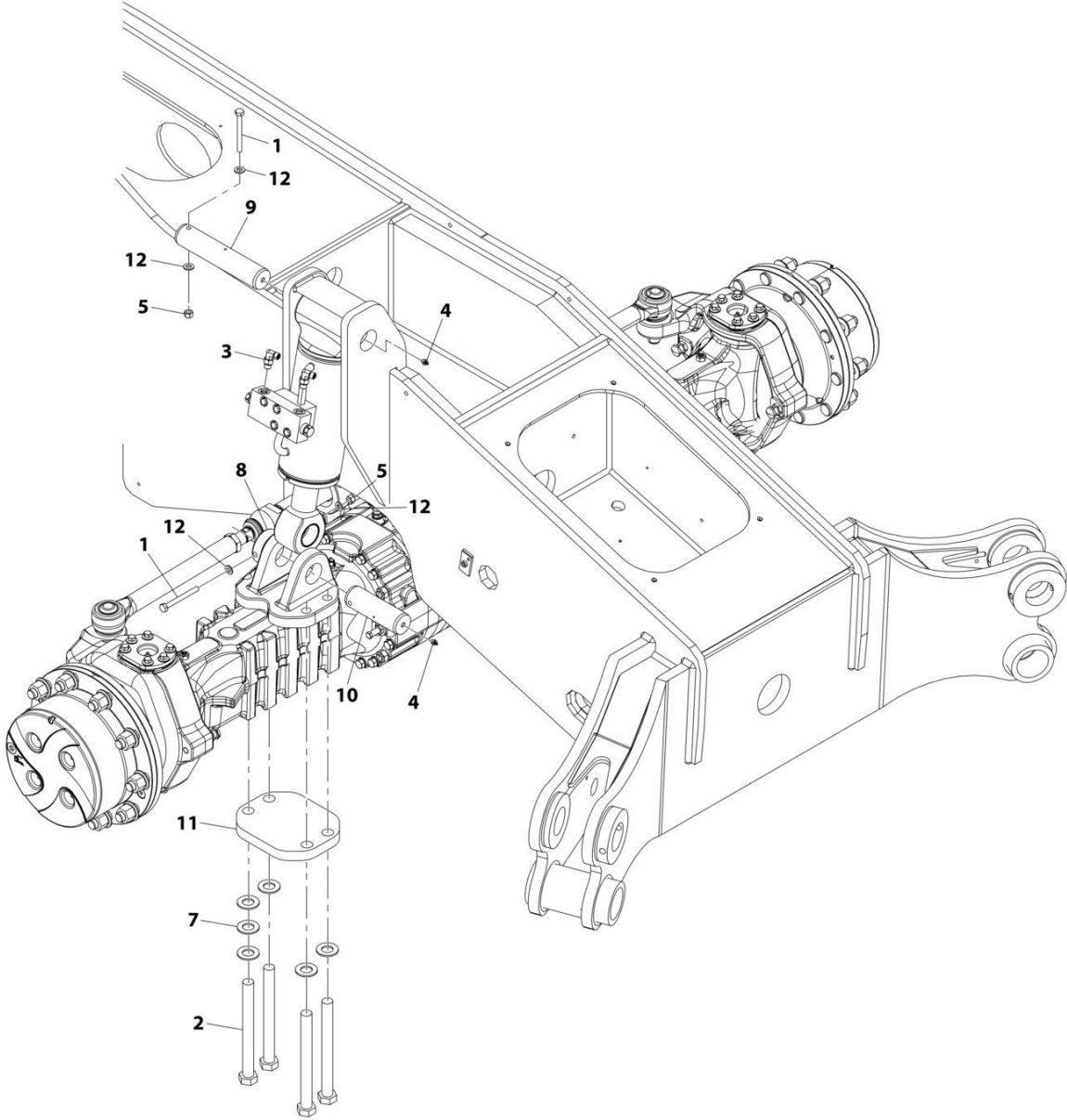
## SECTION 1 - FRAME AND ATTACHING PARTS

**FIGURE 1-2. FRAME COVER INSTALLATION (LS)**

ITEM	PART NUMBER	QTY	DESCRIPTION	REV
	1001172638	Ref	Frame Cover Installation (if equipped for LS)	K
1	0700610	7	Bolt, M6X20	
2	0700814	4	Bolt, M8X30	
3	0701016	4	Bolt, M10X40	
4	0760606	3	Screw, M6X12	
5	3900379	5	Capscrew, M6-1X25	
6	4811700	10	Washer, M6	
7	4811902	4	Washer, M8	
8	4812000	6	Washer, M10	
12	1001097540	6	Washer, Nylon M6	
13	1001130220	12	Nut, M6	
14	1001149160	4	Nut, M8	
15	1001207299	1	Bracket, Battery Shield	
16	1001168761	1	Cover, Rear Tank	
17	1001170645	1	Cover, Counterweight	
18	1001170665	1	Plate, Valve Cover	
19	1001201646	1	Shield, Inspection Port	
20	1001171772	3	Plate, Angle Bracket	
21	1001168760	1	Cover, Side Tank	
24	1001112902	1	Screw, M6	
25	1001173468	1	Cover, Rear Frame Module	
26	0761010	2	Bolt, M10X20	
27	1001206746	1	Cap, Side Tank Cover	
28	5250814	4	Bolt, M8X30	

# SECTION 1 - FRAME AND ATTACHING PARTS

## FIGURE 1-3. FRAME LEVEL CYLINDER PIN INSTALLATION



ART\_1001160669-G

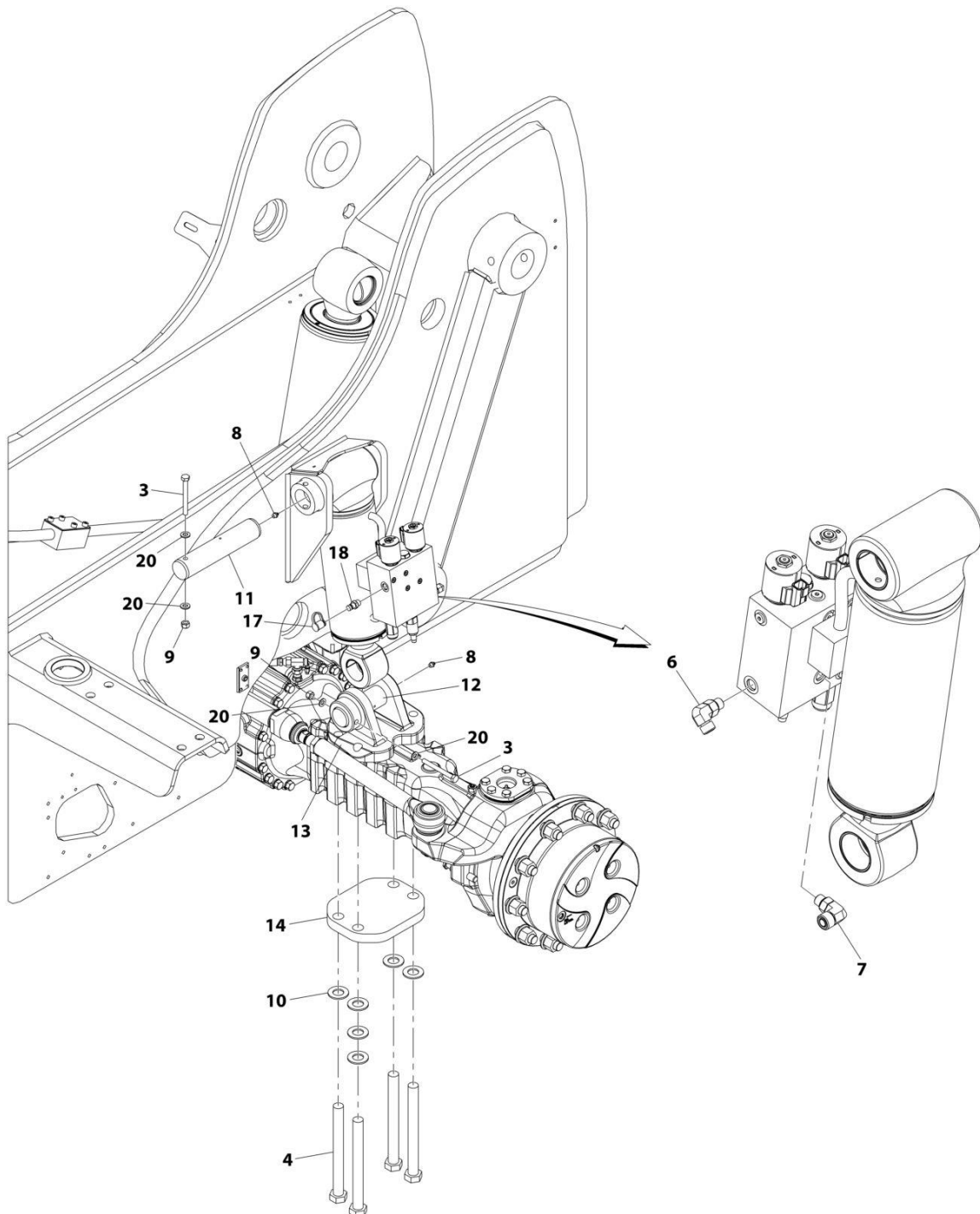
# SECTION 1 - FRAME AND ATTACHING PARTS

## FIGURE 1-3. FRAME LEVEL CYLINDER PIN INSTALLATION

ITEM	PART NUMBER	QTY	DESCRIPTION	REV
	1001160669	Ref	Frame Level Installation	G
1	0711027	2	Bolt, M10X100 Grade 10.9	
2	0712442	4	Bolt, M24X250 Grade 10.9	
3	2130406	2	Fitting, 90 ORFS	
4	2160016	2	Fitting, Grease	
5	3291005	2	Nut, Lock M10X1.5	
7	5242400	6	Washer, M24	
8	1001250331	1	Bracket	
9	1001164971	1	Pin	
10	1001164972	1	Pin	
11	1001168629	1	Plate	
12	4812000	4	Washer, M10	

# SECTION 1 - FRAME AND ATTACHING PARTS

## FIGURE 1-4. REAR STABILIZER CYLINDER PIN INSTALLATION



ART\_1001160679-K

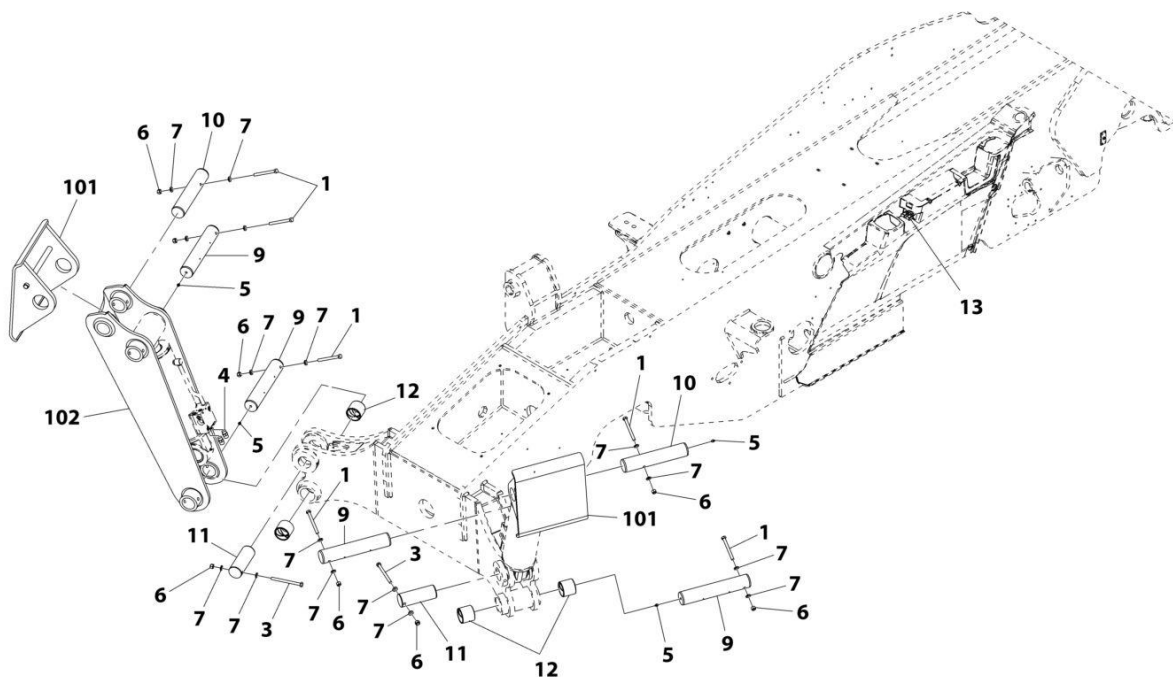
# SECTION 1 - FRAME AND ATTACHING PARTS

## FIGURE 1-4. REAR STABILIZER CYLINDER PIN INSTALLATION

ITEM	PART NUMBER	QTY	DESCRIPTION	REV
	1001160679	Ref	Rear Axle Stabilizer Installation	K
3	0711027	2	Bolt, M10X100 Grade 10.9	
4	0712442	4	Bolt, M24X250 Grade 10.9	
6	2130606	1	Fitting, 90 ORFS	
7	2130806	1	Fitting, 90 ORFS	
8	2160016	2	Fitting, Grease	
9	3291005	2	Nut, Lock M10X1.5	
10	5242400	6	Washer, M24	
11	1001164971	1	Pin	
12	1001164972	1	Pin	
13	1001250331	1	Bracket	
14	1001168629	1	Plate	
17	8430032	1	Plug	
18	1001003590	1	Adapter, Male	
20	4812000	4	Washer, M10	

# SECTION 1 - FRAME AND ATTACHING PARTS

## FIGURE 1-5. OUTRIGGERS INSTALLATION



ART\_1001174788-I



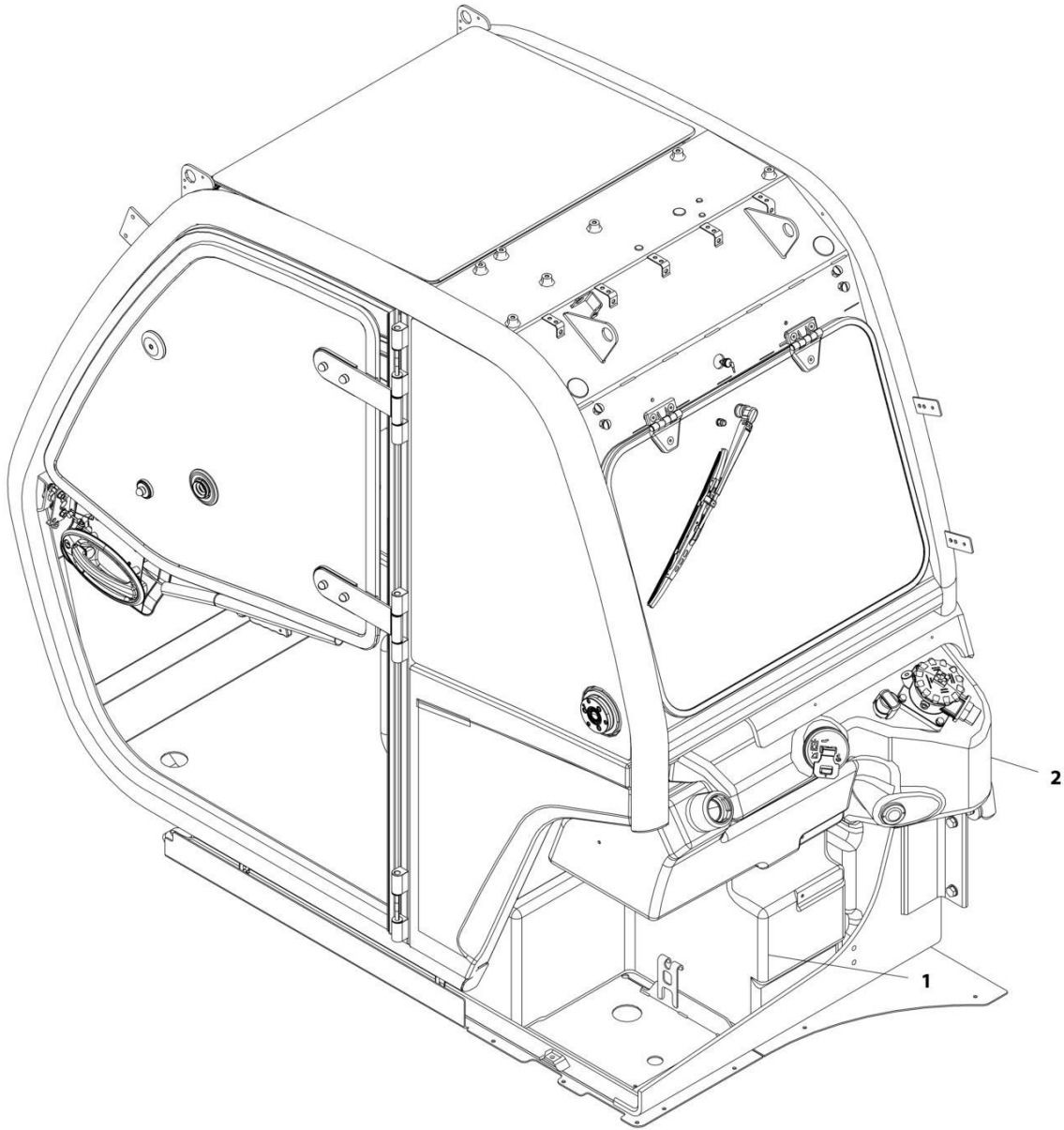
# SECTION 1 - FRAME AND ATTACHING PARTS

## FIGURE 1-5. OUTRIGGERS INSTALLATION

ITEM	PART NUMBER	QTY	DESCRIPTION	REV
	1001174788	Ref	Outriggers Installation	I
1	0701229	6	Bolt, M12X120	
3	0701232	2	Bolt, M12X150	
4	2110808	4	Fitting, Straight ORFS	
5	2160016	4	Fitting, Grease Straight	
6	3291205	8	Nut, Lock M12X1.75	
7	4812100	16	Washer, M12	
9	1001164436	4	Pin	
10	1001207292	2	Pin	
11	1001164454	2	Pin	
12	1001168281	4	Bearing	
13	1001174478	1	Installation, Outrigger Switches (See Separate Breakdown in CONTROLS Section)	
101	1001161564	2	Plate, Outrigger Pad	
102	1001207291J	2	Arm, Outrigger	

# SECTION 1 - FRAME AND ATTACHING PARTS

## FIGURE 1-6. TANK INSTALLATION



ART\_1001160735-A

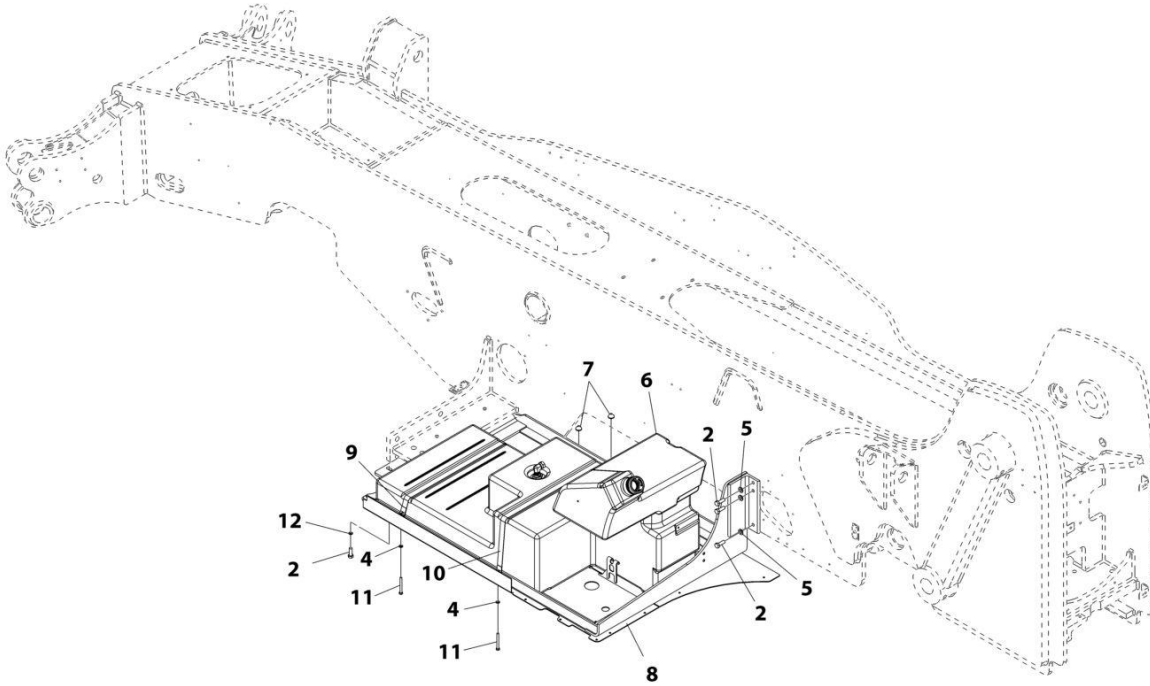
# SECTION 1 - FRAME AND ATTACHING PARTS

## FIGURE 1-6. TANK INSTALLATION

ITEM	PART NUMBER	QTY	DESCRIPTION	REV
	1001160735	Ref	Tank Installation	A
1	1001171153	1	Installation, Fuel Tank (See Separate Breakdown in this Section)	
2	1001171154	1	Installation, Hydraulic Tank (See Separate Breakdown in this Section)	

# SECTION 1 - FRAME AND ATTACHING PARTS

## FIGURE 1-7. FUEL TANK INSTALLATION



ART\_1001171153-H

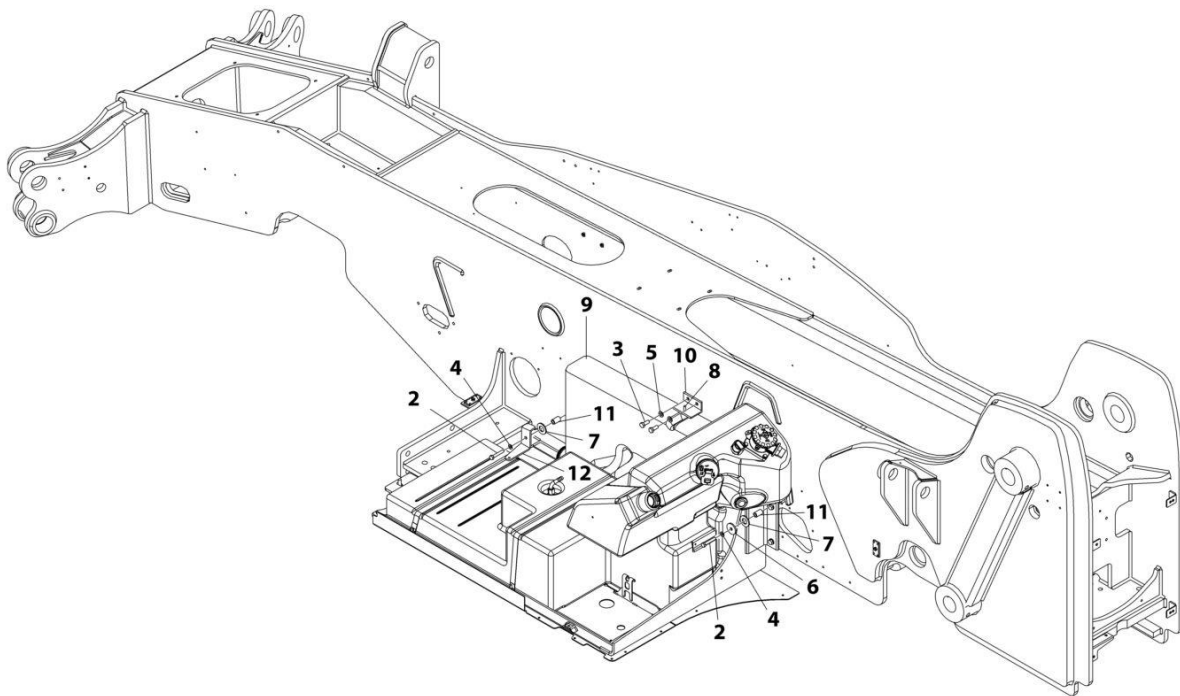
# SECTION 1 - FRAME AND ATTACHING PARTS

## FIGURE 1-7. FUEL TANK INSTALLATION

ITEM	PART NUMBER	QTY	DESCRIPTION	REV
	1001171153	Ref	Fuel Tank Installation	H
2	0761215	6	Bolt, M12X35	
4	4811900	2	Washer, M8	
5	4812100	3	Washer, M12	
6	1001211432	1	Tank, Fuel (See Separate Breakdown in ENGINE AND ATTACHING PARTS Section)	
7	1001169454	4	Mount, Buffer	
8	1001169602	1	Support, Tank Plate	
9	1001170071	1	Strap, Tank	
10	1001170072	1	Strap, Tank	
11	0760823	2	Bolt, M8X75	
12	4812102	3	Washer, M12	

# SECTION 1 - FRAME AND ATTACHING PARTS

## FIGURE 1-8. HYDRAULIC TANK INSTALLATION



ART\_1001171154-E

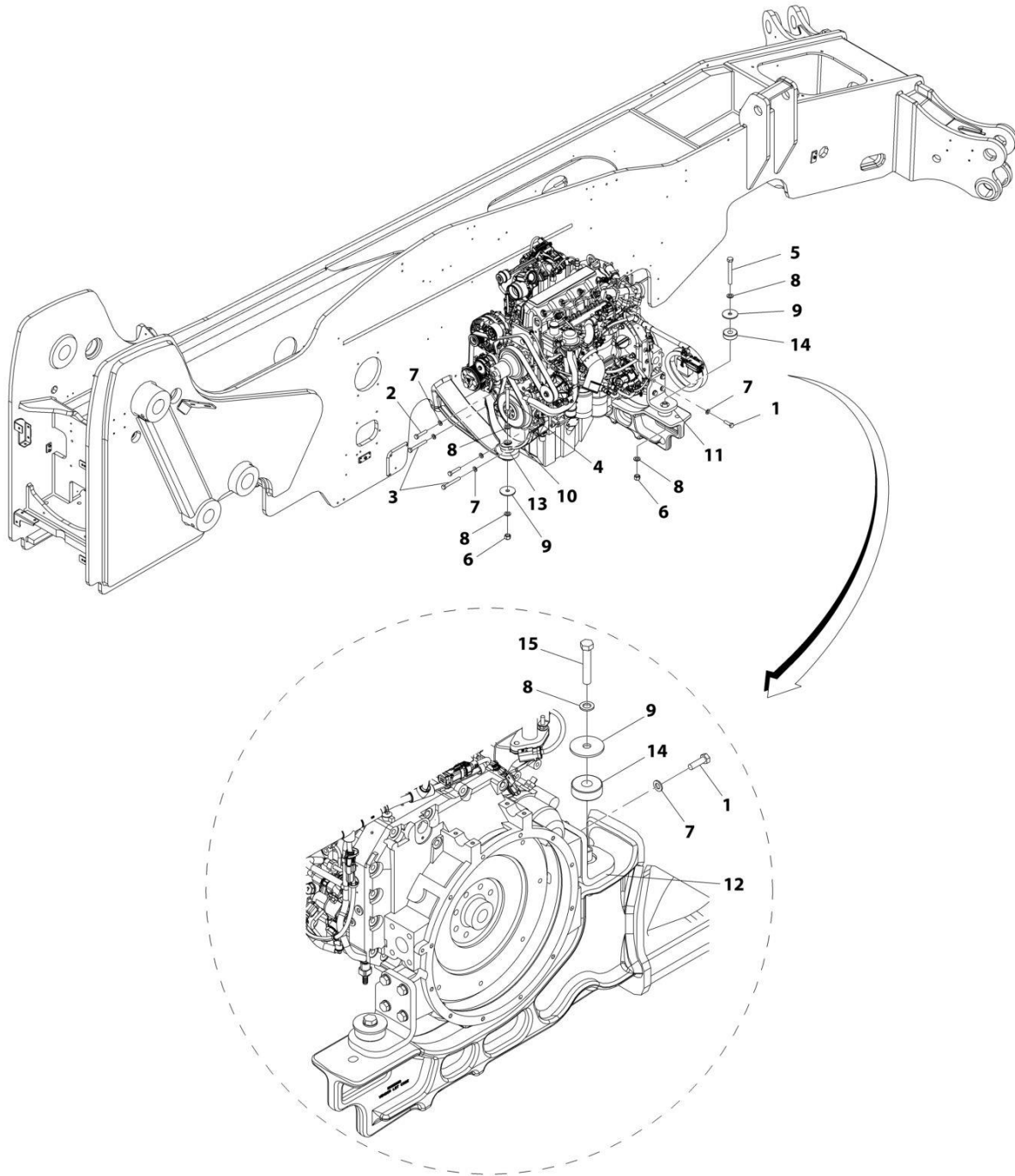
# SECTION 1 - FRAME AND ATTACHING PARTS

## FIGURE 1-8. HYDRAULIC TANK INSTALLATION

ITEM	PART NUMBER	QTY	DESCRIPTION	REV
	1001171154	Ref	Hydraulic Tank Installation	E
2	0701020	2	Bolt, M10X60	
3	0761214	2	Bolt, M12X30	
4	4812000	2	Washer, M10	
5	4812100	2	Washer, M12	
6	1001172147	1	Washer, M10	
7	1001172146	2	Washer, Rubber	
8	1001008575	1	Bumper, Conical	
9	1001163067	1	Tank, Hydraulic (See Separate Breakdown in HYDRAULIC COMPONENTS Section)	
10	1001169461	1	Bracket	
11	1001171179	2	Spacer	
12	1001210707	1	Bracket	

# SECTION 1 - FRAME AND ATTACHING PARTS

## FIGURE 1-9. ENGINE MOUNTING INSTALLATION



ART\_1001163227-H



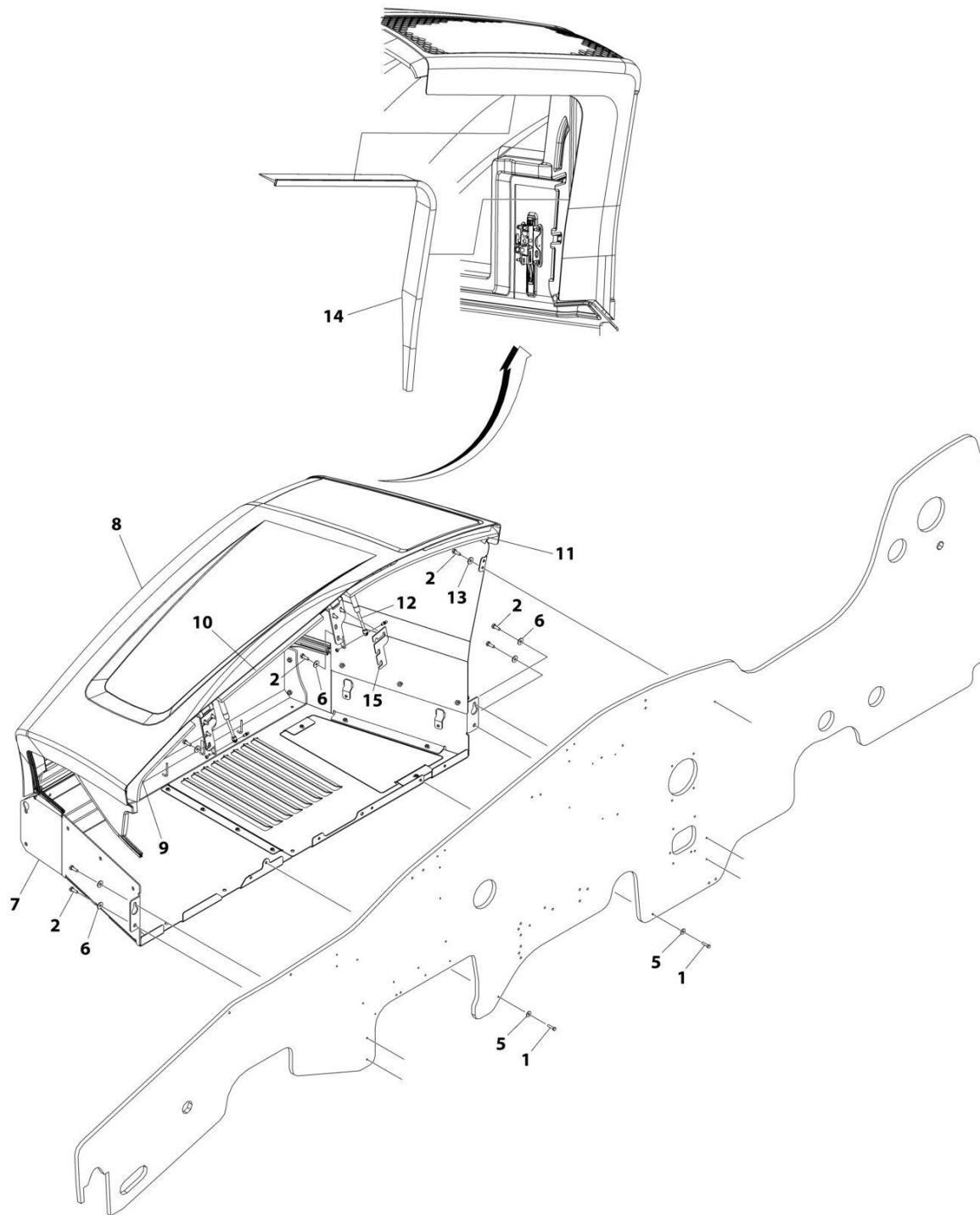
# SECTION 1 - FRAME AND ATTACHING PARTS

## FIGURE 1-9. ENGINE MOUNTING INSTALLATION

ITEM	PART NUMBER	QTY	DESCRIPTION	REV
	1001163227	Ref	Engine Mounting Installation	H
1	0701216	8	Bolt, M12X40	
2	0701220	2	Bolt, M12X60	
3	0701227	2	Bolt, M12X100	
4	0711629	1	Bolt, M16x120	
5	0711630	1	Bolt, M16X130	
6	3331615	2	Nut, M16	
7	4812100	12	Washer, M12	
8	4812300	5	Washer, M16	
9	7300435	3	Washer	
10	1001160116	1	Bracket, Engine	
11	1001168795	1	Plate, Engine Mount	
12	1001168797	1	Plate, Engine Mount	
13	1001160888	1	Mount, Isolator Engine	
14	1001195518	2	Mount, Isolator Engine	
15	0711626	1	Bolt, M16X90	

# SECTION 1 - FRAME AND ATTACHING PARTS

## FIGURE 1-10. ENGINE ENCLOSURE INSTALLATION



ART\_1001160253-J

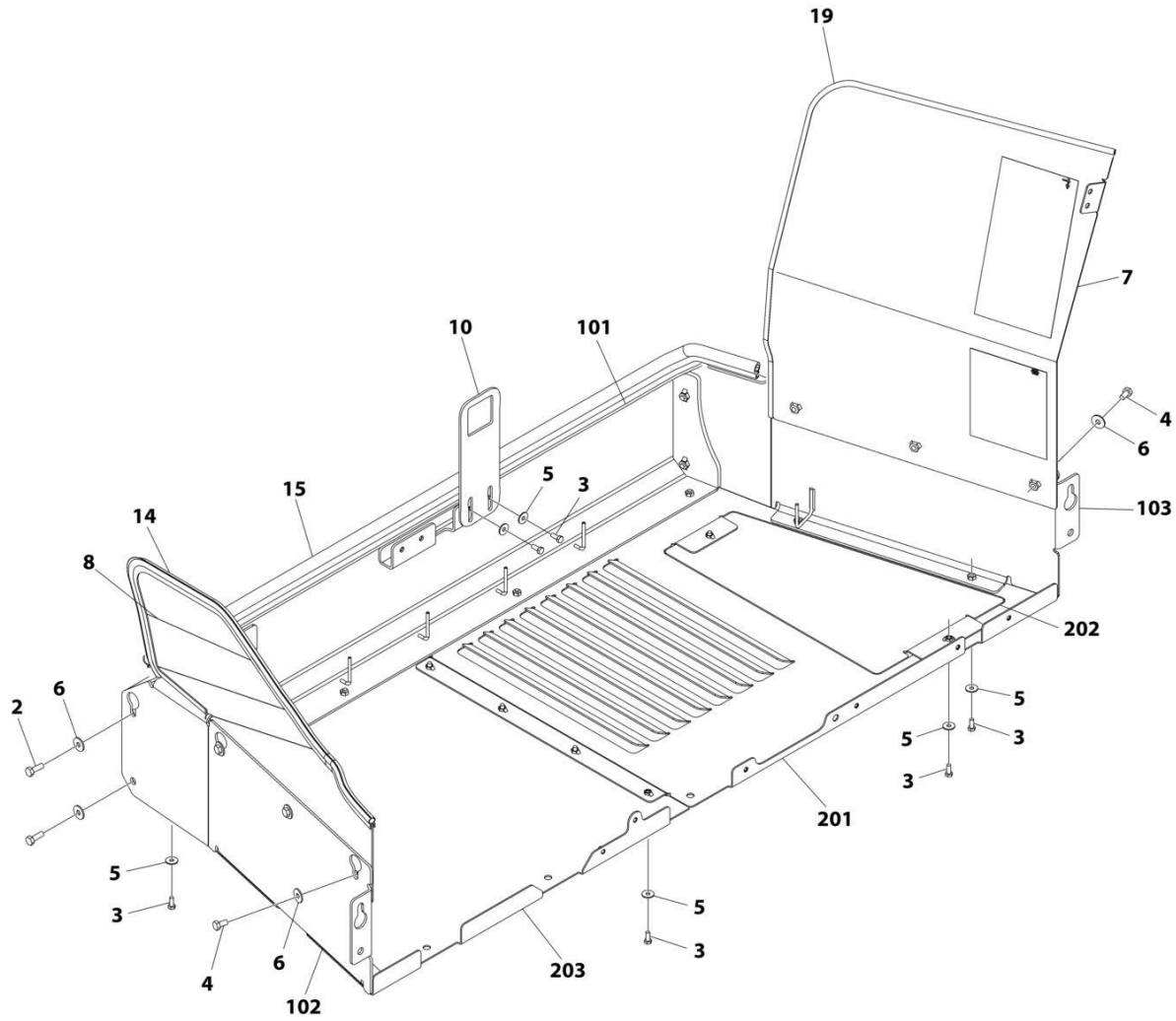
# SECTION 1 - FRAME AND ATTACHING PARTS

## FIGURE 1-10. ENGINE ENCLOSURE INSTALLATION

ITEM	PART NUMBER	QTY	DESCRIPTION	REV
	1001160253	Ref	Engine Enclosure Installation	J
1	0760815	2	Bolt, M8X35	
2	0701014	11	Bolt, M10X30	
5	4811902	2	Washer, M8	
6	4812002	10	Washer, M10	
7	1001162239	Ref	Installation, Engine Enclosure Cover (See Separate Breakdown in this Section)	
8	1001235963	Ref	Assembly, Hood (See Separate Breakdown in this Section)	
9	1001203932	1	Seal	
10	1001203933	1	Seal	
11	1001203934	1	Seal	
12	1001171885	2	Spring, Gas	
13	4812000	1	Washer, M10	
14	1001197339	1	Trim, Lock Seal	
15	1001241836	AR	Shim	

# SECTION 1 - FRAME AND ATTACHING PARTS

## FIGURE 1-11. ENGINE ENCLOSURE COVER INSTALLATION



ART\_1001162239-N

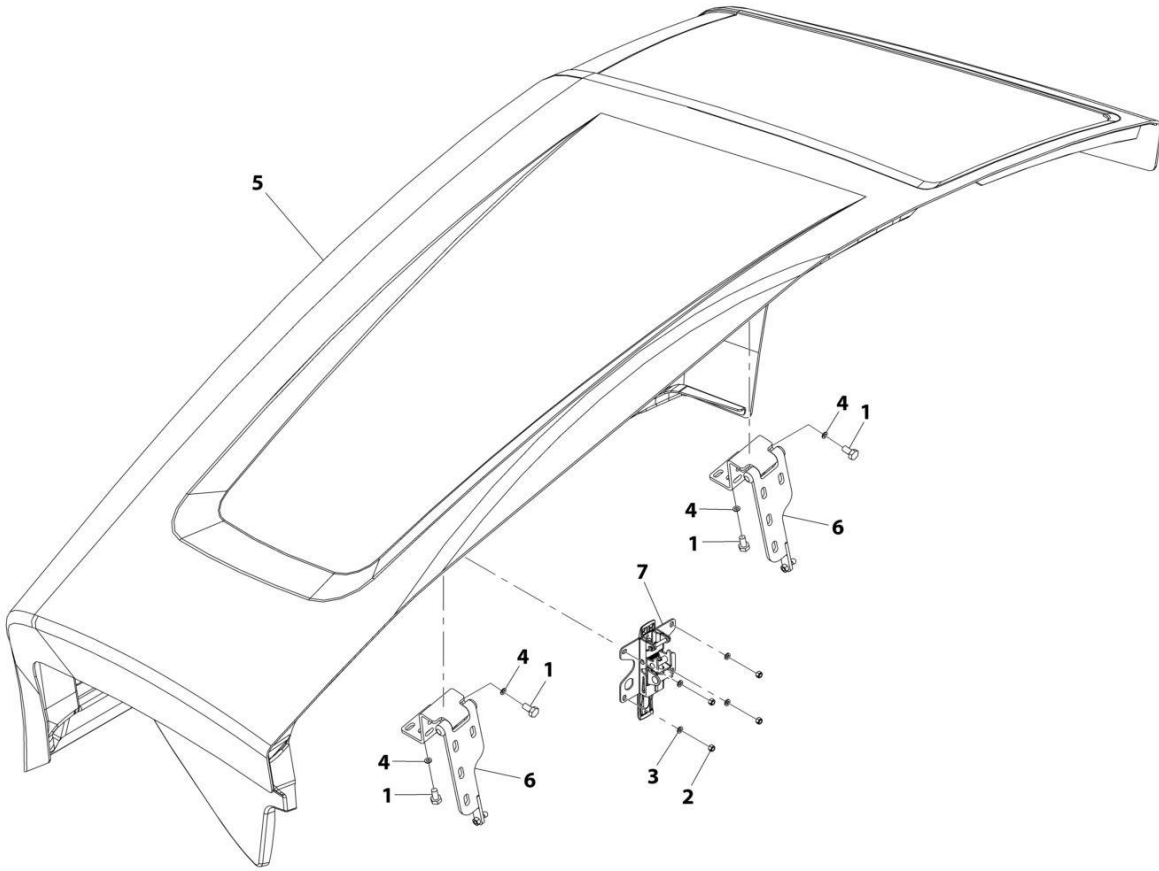
# SECTION 1 - FRAME AND ATTACHING PARTS

## FIGURE 1-11. ENGINE ENCLOSURE COVER INSTALLATION

ITEM	PART NUMBER	QTY	DESCRIPTION	REV
	1001162239	Ref	Engine Enclosure Cover Installation	N
2	0701014	4	Bolt, M10X30	
3	0760810	16	Bolt, M8X20	
4	0761010	6	Bolt, M10X20	
5	4811902	16	Washer, M8	
6	4812002	10	Washer, M10	
7	1001204086	1	Plate, Rear Cover	
8	1001184076	1	Panel, Front Cover	
10	1001209388	1	Latch, Hood	
14	1001003227	1375 mm	Seal	
15	1001204486	1795 mm	Seal	
19	90206198	1345 mm	Trim, Edge	
101	1001162240J	1	Panel, Side Skirt	
102	1001213126J	1	Panel, Front Skirt	
103	1001196426J	1	Panel, Rear Skirt	
201	1001196422	1	Panel, Bottom Cover	
202	1001169265	1	Panel, Access	
203	1001196404	1	Panel, Engine Pod	

# SECTION 1 - FRAME AND ATTACHING PARTS

## FIGURE 1-12. HOOD ASSEMBLY



ART\_1001235963-B

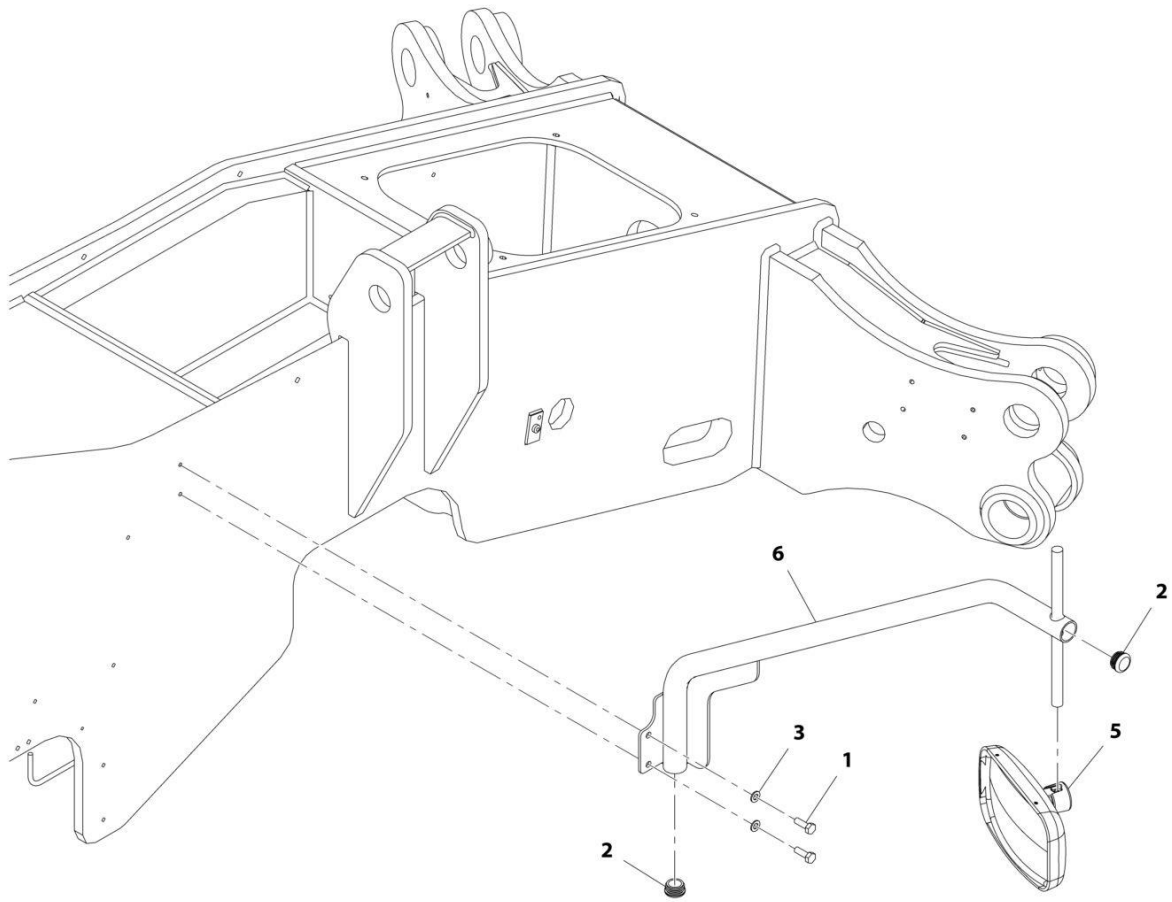
# SECTION 1 - FRAME AND ATTACHING PARTS

## FIGURE 1-12. HOOD ASSEMBLY

ITEM	PART NUMBER	QTY	DESCRIPTION	REV
	1001235963	Ref	Hood Assembly	B
1	0761010	8	Bolt, M10X20	
2	3290605	4	Nut, Lock M6X1	
3	4811700	4	Washer, M6	
4	4812000	8	Washer, M10	
5	1001234455	1	Hood	
6	1001209387	2	Hinge, Hood	
7	1001132168	1	Latch, Hood	

# SECTION 1 - FRAME AND ATTACHING PARTS

## FIGURE 1-13. MIRROR INSTALLATION



ART\_1001160255-D



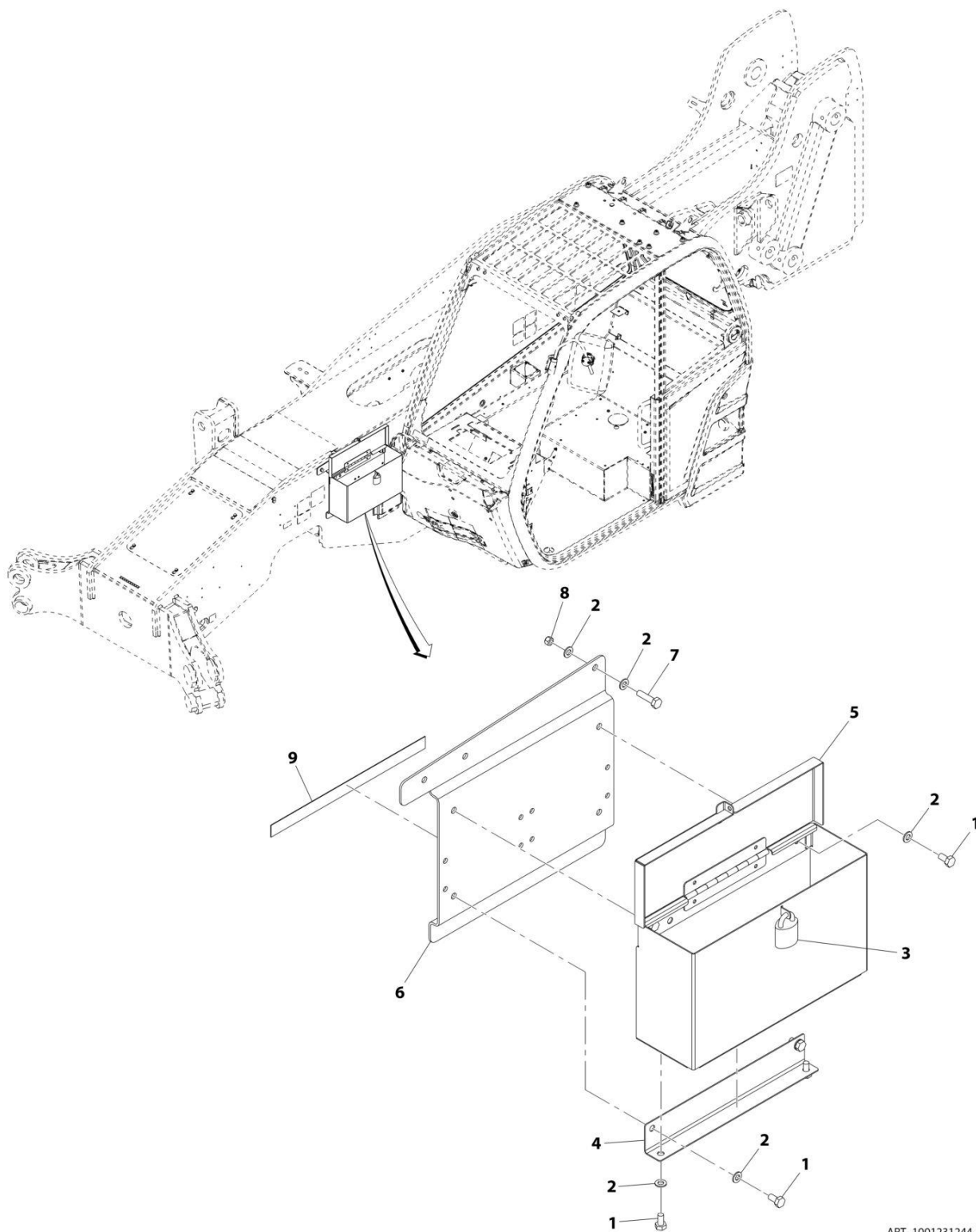
# SECTION 1 - FRAME AND ATTACHING PARTS

## FIGURE 1-13. MIRROR INSTALLATION

ITEM	PART NUMBER	QTY	DESCRIPTION	REV
	1001160255	Ref	Mirror Installation	D
1	0701014	2	Bolt, M10X30 Grade 8	
2	3520186	2	Plug	
3	4812000	2	Washer, M10	
5	1001191635	1	Mirror, Convex	
6	1001191603	1	Bracket	

# SECTION 1 - FRAME AND ATTACHING PARTS

## FIGURE 1-14. TOOLBOX INSTALLATION



ART\_1001231244-B

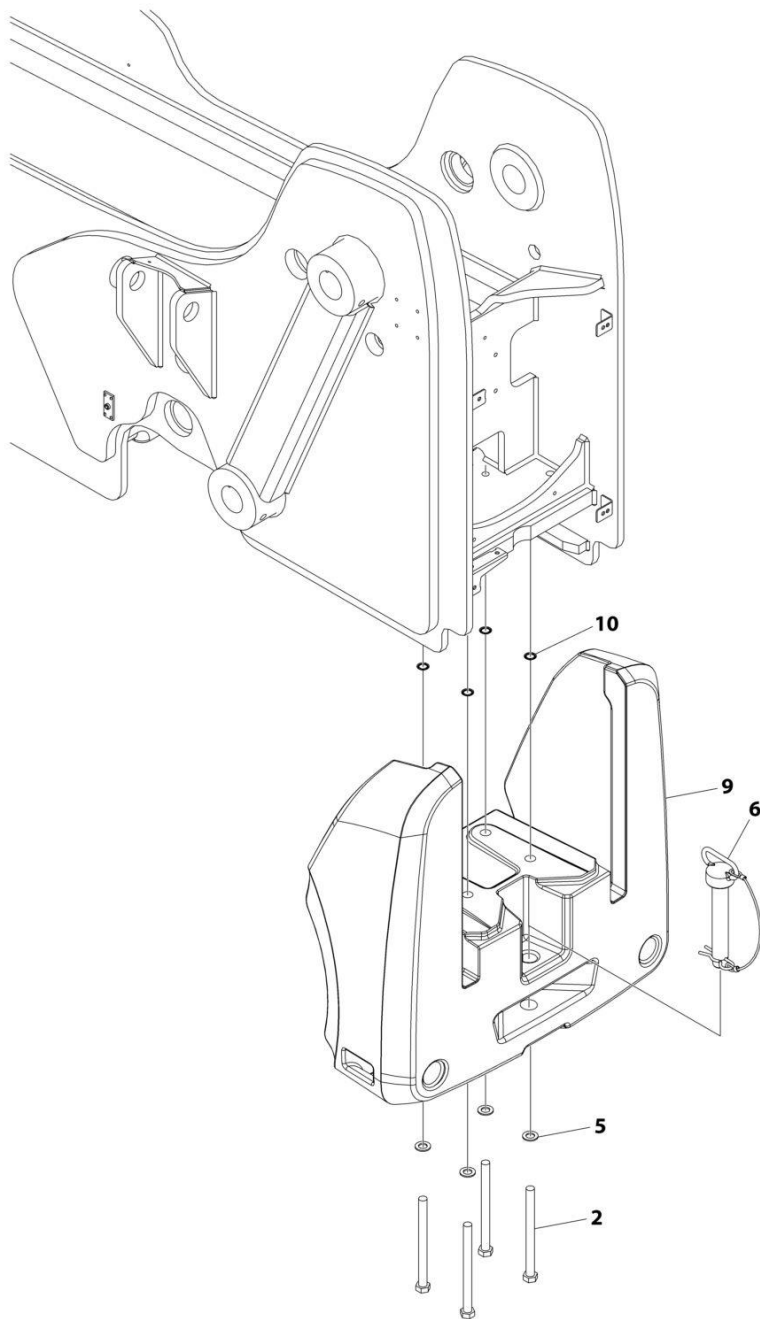
# SECTION 1 - FRAME AND ATTACHING PARTS

## FIGURE 1-14. TOOLBOX INSTALLATION

ITEM	PART NUMBER	QTY	DESCRIPTION	REV
	1001231244	Ref	ToolBox Installation (If equipped)	B
1	0761010	6	Bolt, M10X20	
2	4812000	8	Washer, M10	
3	1001008687	1	Padlock	
4	1001178729	1	Bracket	
5	1001192836	1	Box	
6	1001230713J	1	Bracket	
7	0701016	1	Bolt, M10X40	
8	3290805	1	Nut, Lock M8X1.25	
9	1001165978	380 mm	Adhesive	

# SECTION 1 - FRAME AND ATTACHING PARTS

## FIGURE 1-15. COUNTERWEIGHT INSTALLATION - 1055



ART\_1001165421

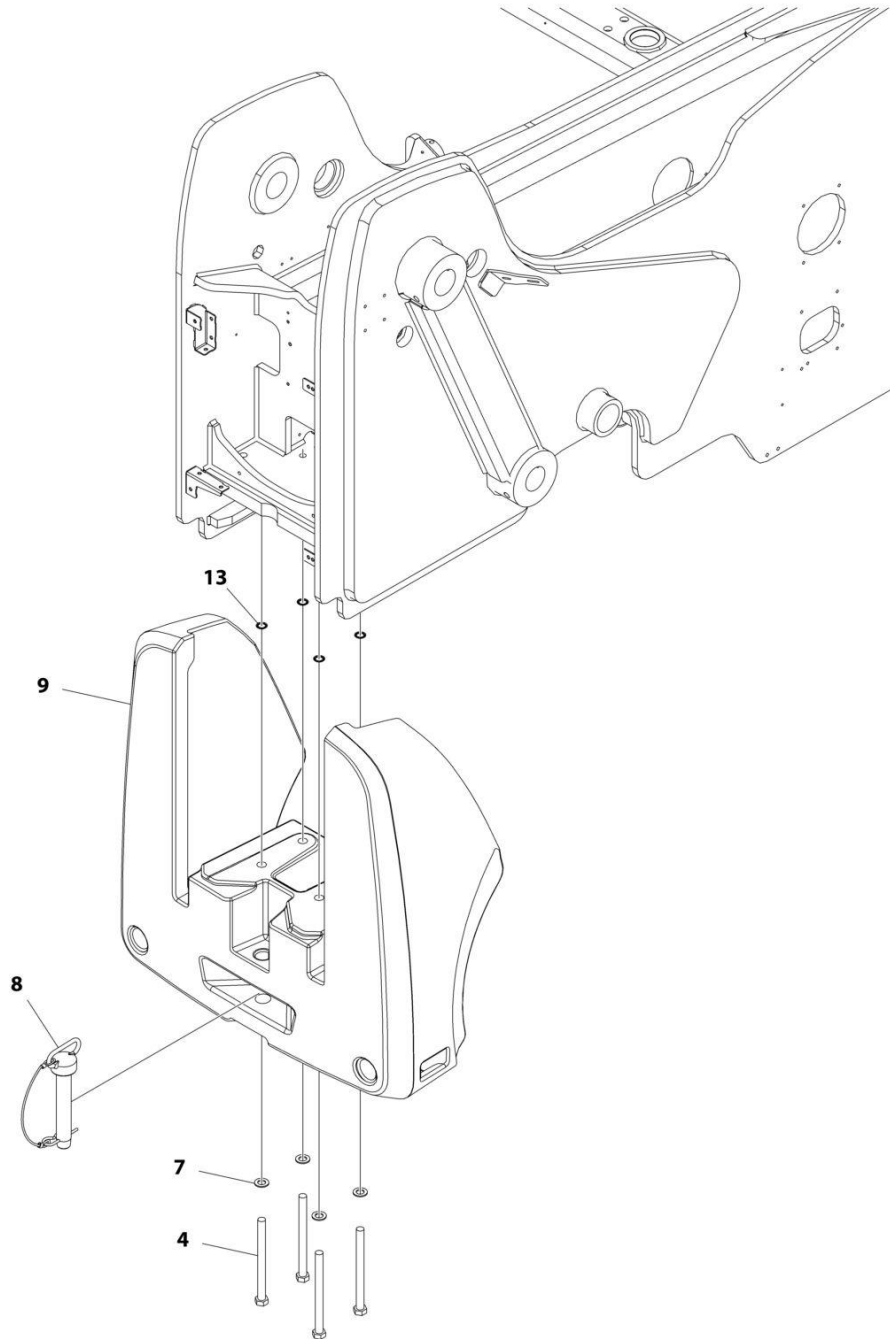
# SECTION 1 - FRAME AND ATTACHING PARTS

## FIGURE 1-15. COUNTERWEIGHT INSTALLATION - 1055

ITEM	PART NUMBER	QTY	DESCRIPTION	REV
	1001165421	Ref	COUNTERWEIGHT INSTALLATION - 1055	H
2	0712042	4	Bolt M20 x 250 Grd10.9	
5	8310620	4	Washer M20	
6	1001160250	1	Pin	
9	1001176492J	1	Counterweight, 1000KG	
10	1001218341	4	Washer	

# SECTION 1 - FRAME AND ATTACHING PARTS

FIGURE 1-16. COUNTERWEIGHT INSTALLATION - 1255



ART\_1001165409

# SECTION 1 - FRAME AND ATTACHING PARTS

## FIGURE 1-16. COUNTERWEIGHT INSTALLATION - 1255

ITEM	PART NUMBER	QTY	DESCRIPTION	REV
	1001165409	Ref	COUNTERWEIGHT INSTALLATION - 1255	J
4	0712042	4	Bolt M20 x 250 Grd10.9	
7	8310620	4	Washer M20	
8	1001160250	1	Pin	
9	1001176490J	1	Counterweight, 1500KG	
13	1001218341	4	Washer	

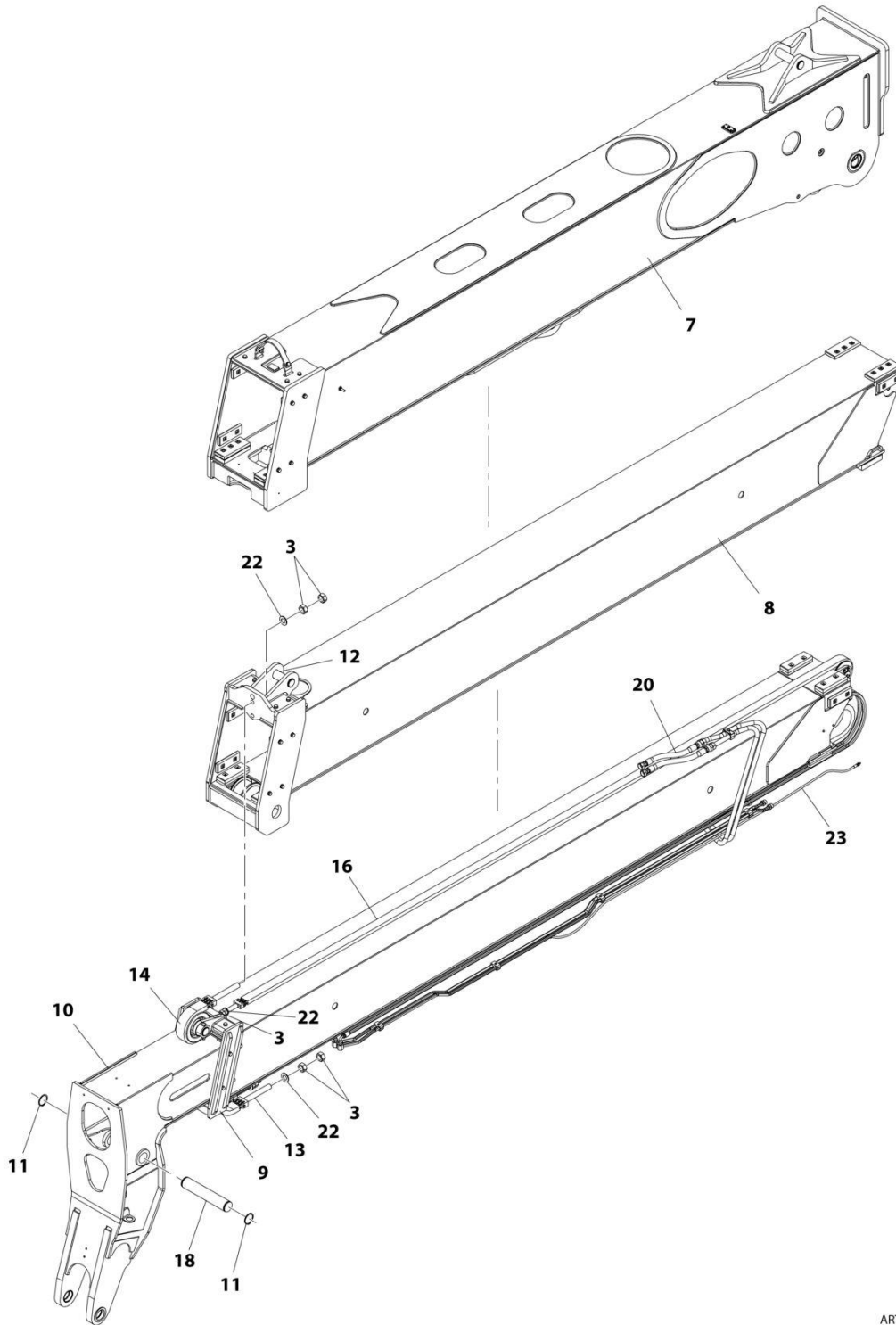




**SECTION 2 - BOOM**

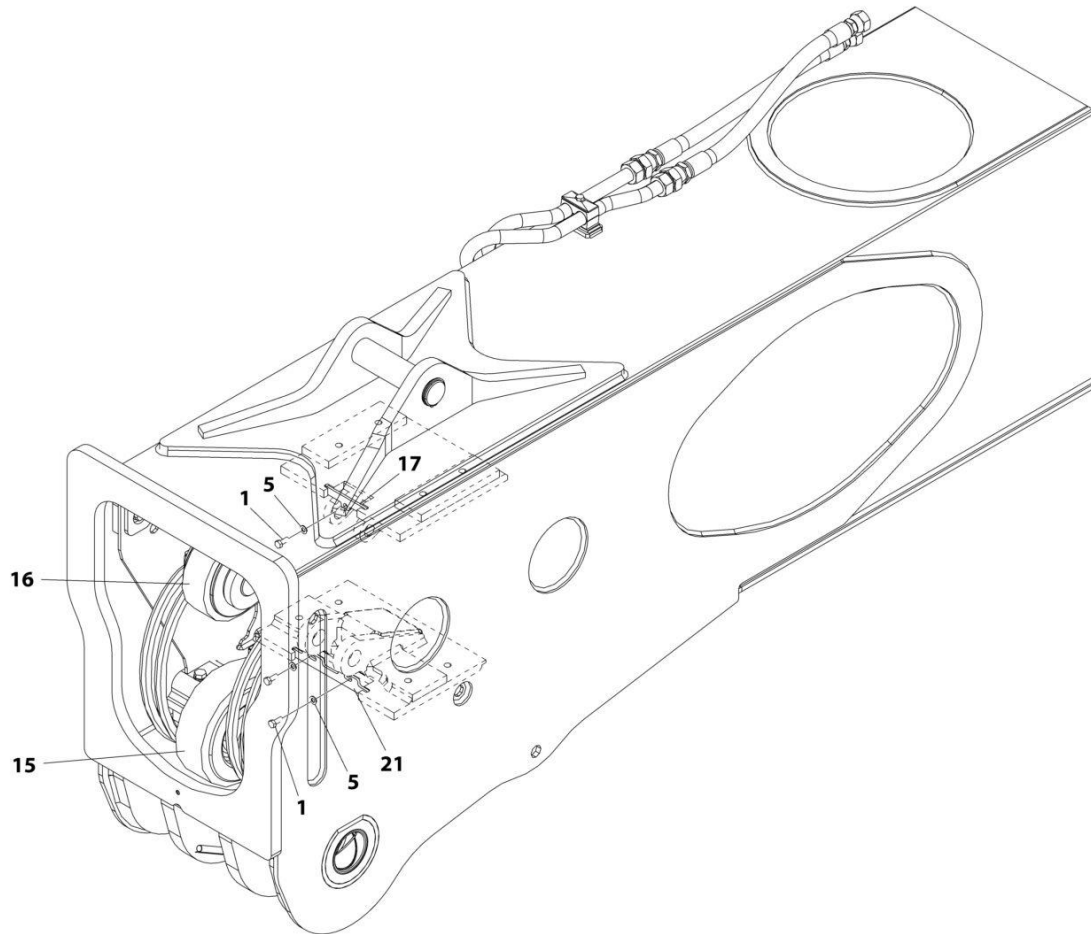
# SECTION 2 - BOOM

## FIGURE 2-1. BOOM ASSEMBLY - 1055



ART\_1001159958\_1-F

# SECTION 2 - BOOM



ART\_1001159958\_2-F

## SECTION 2 - BOOM

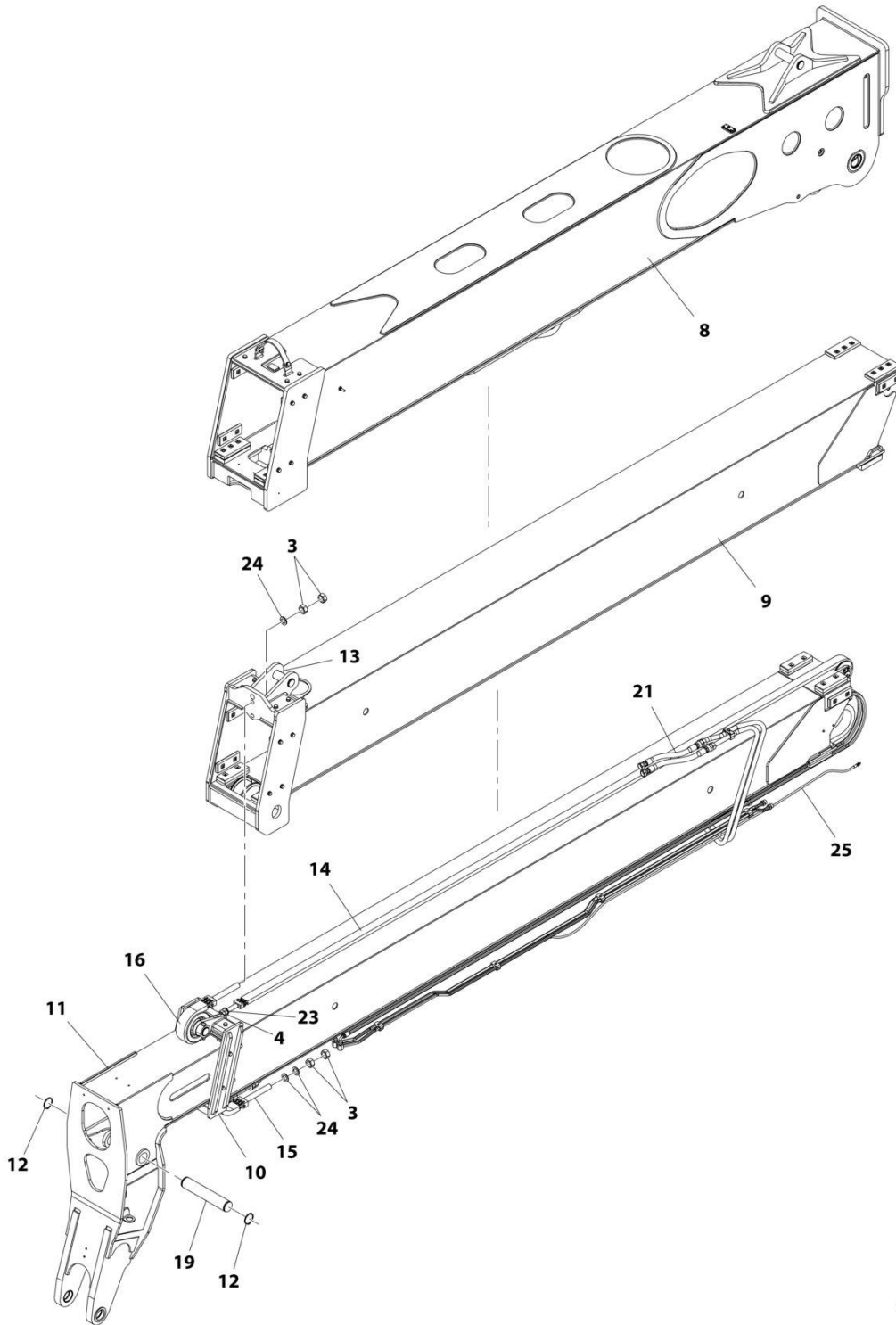
**FIGURE 2-1. BOOM ASSEMBLY - 1055**

ITEM	PART NUMBER	QTY	DESCRIPTION	REV
	1001159958	Ref	Boom Assembly - 1055	F
1	0760810	3	Bolt, M8X20	
3	3332411	10	Nut, M24X3	
5	4811900	3	Washer, M8	
7	1001159967	1	Assembly, First Boom (See Separate Breakdown in this Section)	
8	1001160014	1	Assembly, Second Boom (See Separate Breakdown in this Section)	
9	1001160024	1	Assembly, Third Boom (See Separate Breakdown in this Section)	
10	1001160033	1	Assembly, Fourth Boom (See Separate Breakdown in this Section)	
11	88581157	2	Ring, Snap	
12	1001163881	Ref	Installation, Extend Cylinder Pins (See Separate Breakdown in this Section)	
13	1001165045	Ref	Installation, Second Boom Section Extend Chain (See Separate Breakdown in this Section)	
14	1001165046	Ref	Installation, Second Boom Section Extend Chain (See Separate Breakdown in this Section)	
15	1001165047	Ref	Installation, Third Boom Section Retract Chain (See Separate Breakdown in this Section)	
16	1001165048	Ref	Installation, Third Boom Section Retract Chain (See Separate Breakdown in this Section)	
17	1001165484	1	Plate	
18	1001167491	1	Pin	
20	1001174329	Ref	Installation, Boom Hydraulic Tubes (See Separate Breakdown in HYDRAULIC CIRCUITS Section)	
21	1001171001	1	Plate	
22	4812700	5	Washer, M24	
23	1001208050	1	Hose	



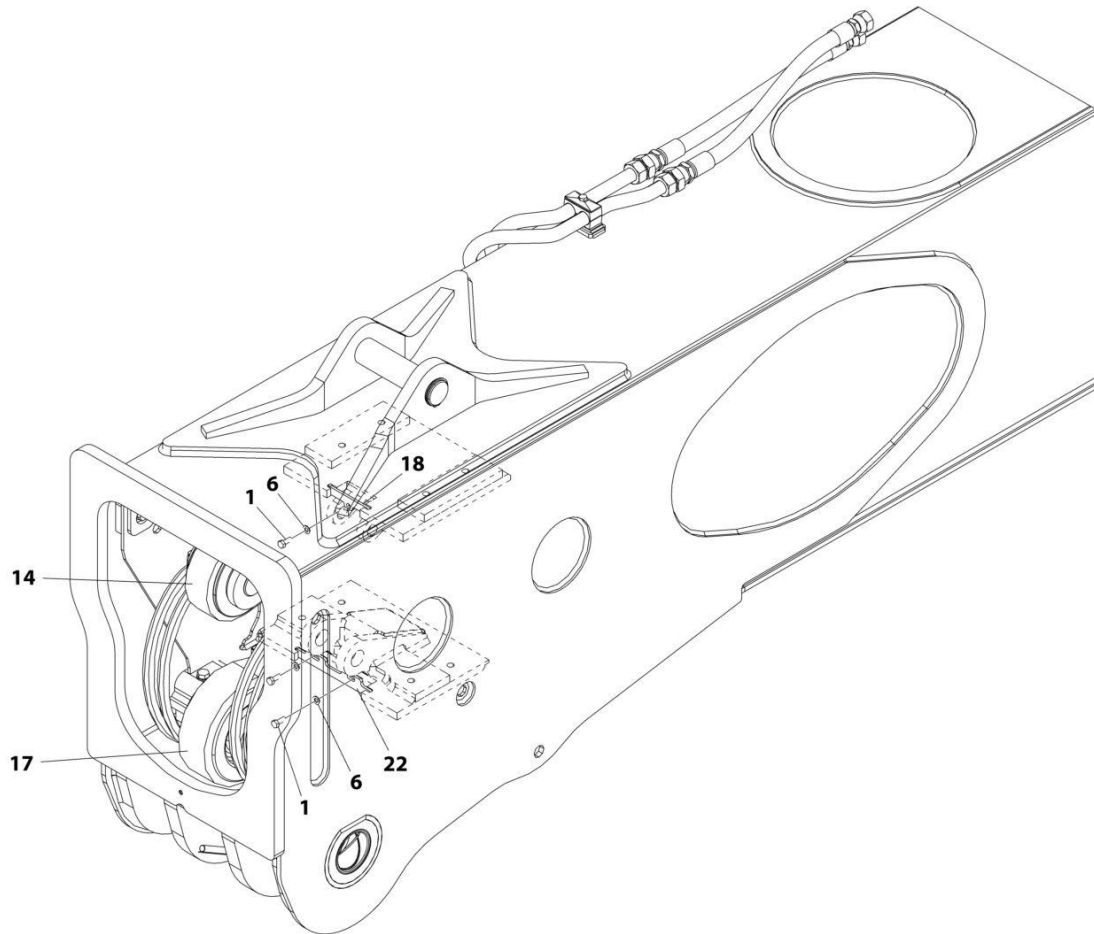
# SECTION 2 - BOOM

## FIGURE 2-2. BOOM ASSEMBLY - 1255



ART\_1001159957\_1-G

# SECTION 2 - BOOM



ART\_1001159957\_2-G

## SECTION 2 - BOOM

**FIGURE 2-2. BOOM ASSEMBLY - 1255**

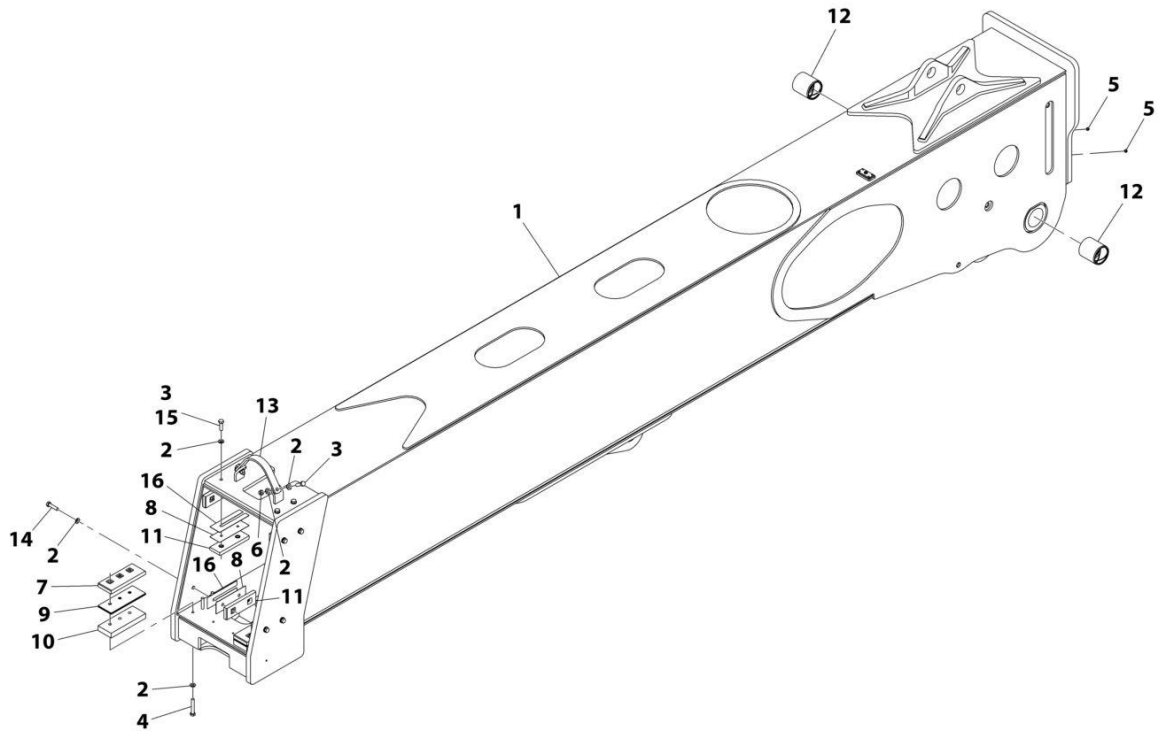
ITEM	PART NUMBER	QTY	DESCRIPTION	REV
	1001159957	Ref	Boom Assembly - 1255	G
1	0760810	3	Bolt, M8X20	
3	3333011	8	Nut, M30	
4	3332411	2	Nut, M24X3	
6	4811900	3	Washer, M8	
8	1001159966	1	Assembly, First Boom (See Separate Breakdown in this Section)	
9	1001160013	1	Assembly, Second Boom (See Separate Breakdown in this Section)	
10	1001160023	1	Assembly, Third Boom (See Separate Breakdown in this Section)	
11	1001160032	1	Assembly, Fourth Boom (See Separate Breakdown in this Section)	
12	88581157	2	Ring, Snap	
13	1001163881	1	Installation, Extend Cylinder Pins (See Separate Breakdown in this Section)	
14	1001165048	1	Installation, Third Boom Section Retract Chain (See Separate Breakdown in this Section)	
15	1001165295	1	Installation, Second Boom Section Extend Chain - 1255 (See Separate Breakdown in this Section)	
16	1001165296	1	Installation, Second Boom Section Extend Chain - 1255 (See Separate Breakdown in this Section)	
17	1001165297	1	Installation, Third Boom Section Retract Chain - 1255 (See Separate Breakdown in this Section)	
18	1001165484	1	Plate	
19	1001167491	1	Pin	
21	1001174329	1	Installation, Boom Hydraulic Tubes (See Separate Breakdown in HYDRAULIC CIRCUITS Section)	
22	1001171001	1	Plate	
23	4812700	1	Washer, M24	
24	1001097412	4	Washer	
25	1001208050	1	Hose	





# SECTION 2 - BOOM

## FIGURE 2-3. FIRST BOOM ASSEMBLY - 1055



ART\_1001159967-F

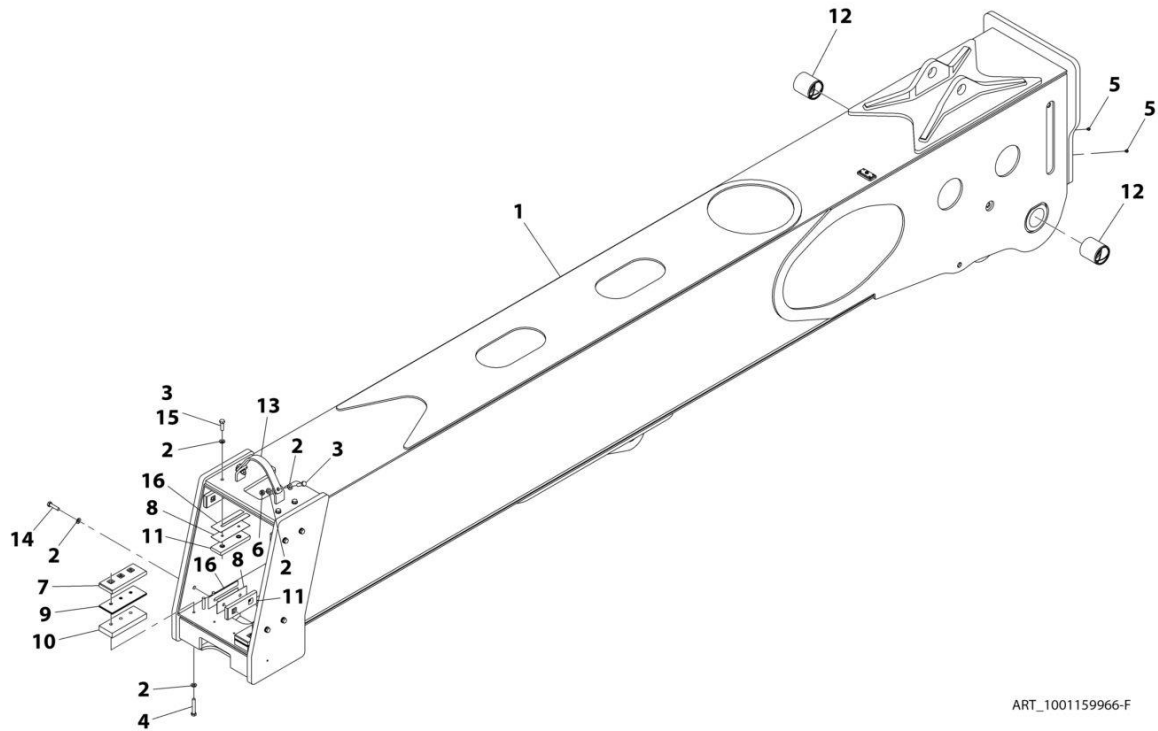
## SECTION 2 - BOOM

### FIGURE 2-3. FIRST BOOM ASSEMBLY - 1055

ITEM	PART NUMBER	QTY	DESCRIPTION	REV
	1001159967	Ref	First Boom Assembly - 1055	F
1	1001159971J	1	Weldment, First Boom	
2	1001125117	AR	Washer, M12	
3	0711216	6	Bolt, M12X40	
4	0711223	6	Bolt, M12X75 GR10.9	
5	2160016	2	Fitting, Grease	
6	3291201	2	Nut, M12X1.75	
7	1001162469	2	Pad, Wear	
8	1001163034	AR	Spacer	
9	1001163112	AR	Spacer	
10	1001163113	2	Spacer	
11	1001165171	6	Pad, Wear	
12	1001166455	2	Sleeve, Bronze	
13	1001171178	1	Strap, Cylinder	
14	0711218	8	Bolt, M12X50	
15	0711217	AR	Bolt, M12X45	
16	1001163103	AR	Shim	

# SECTION 2 - BOOM

## FIGURE 2-4. FIRST BOOM ASSEMBLY - 1255



ART\_1001159966-F

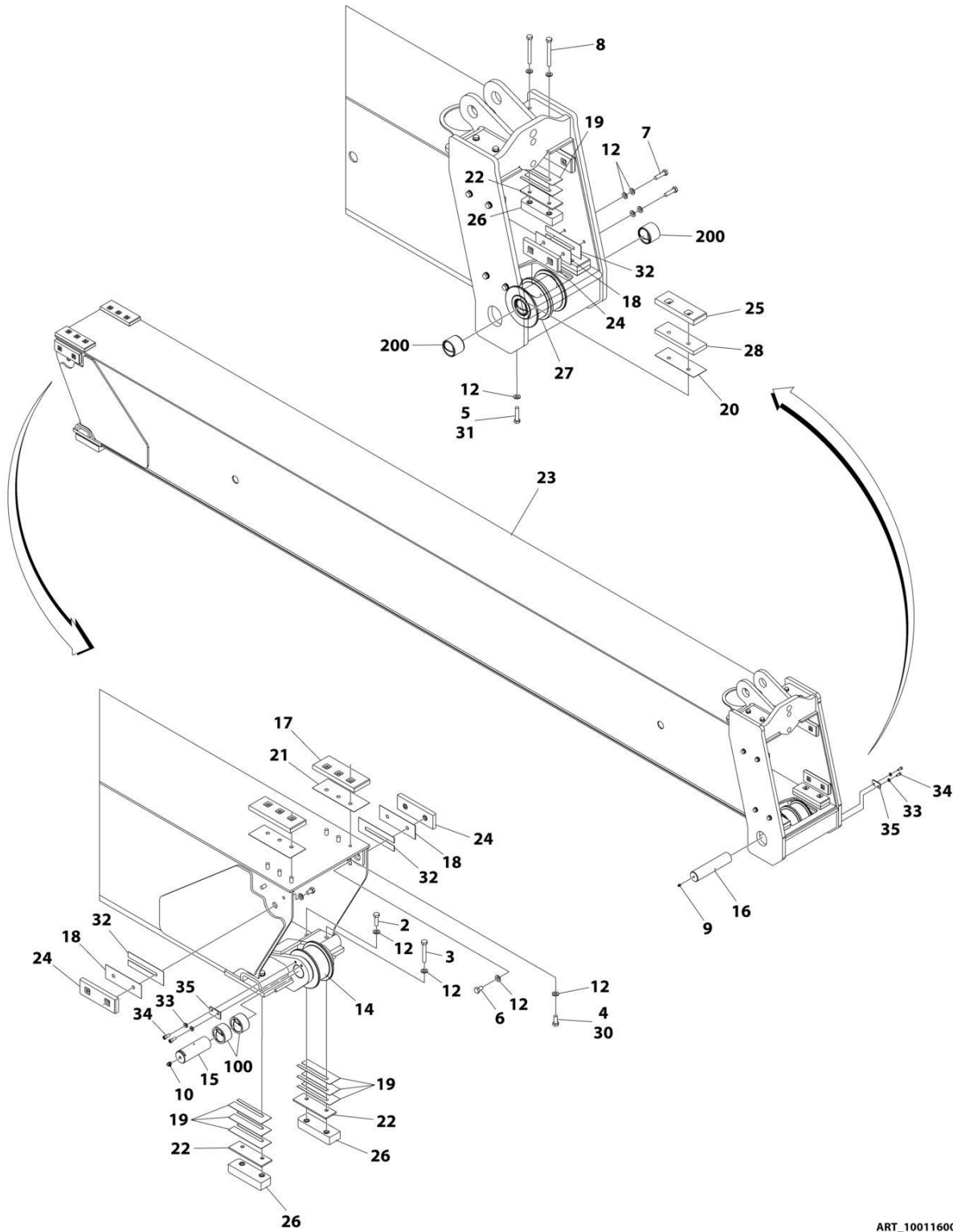
## SECTION 2 - BOOM

### FIGURE 2-4. FIRST BOOM ASSEMBLY - 1255

ITEM	PART NUMBER	QTY	DESCRIPTION	REV
	1001159966	Ref	First Boom Assembly - 1255	F
1	1001159970J	1	Weldment, First Boom	
2	1001125117	AR	Washer, M12	
3	0711216	6	Bolt, M12X40	
4	0711223	6	Bolt, M12X75 GR10.9	
5	2160016	2	Fitting, Grease	
6	3291201	2	Nut, M12X1.75	
7	1001162469	2	Pad, Wear	
8	1001163034	AR	Spacer	
9	1001163112	AR	Spacer	
10	1001163113	2	Spacer	
11	1001165171	6	Pad, Wear	
12	1001166455	2	Sleeve, Bronze	
13	1001171178	1	Strap, Cylinder	
14	0711218	8	Bolt, M12X50	
15	0711217	AR	Bolt, M12X45	
16	1001163103	AR	Shim	

# SECTION 2 - BOOM

## FIGURE 2-5. SECOND BOOM ASSEMBLY - 1055



ART\_1001160014

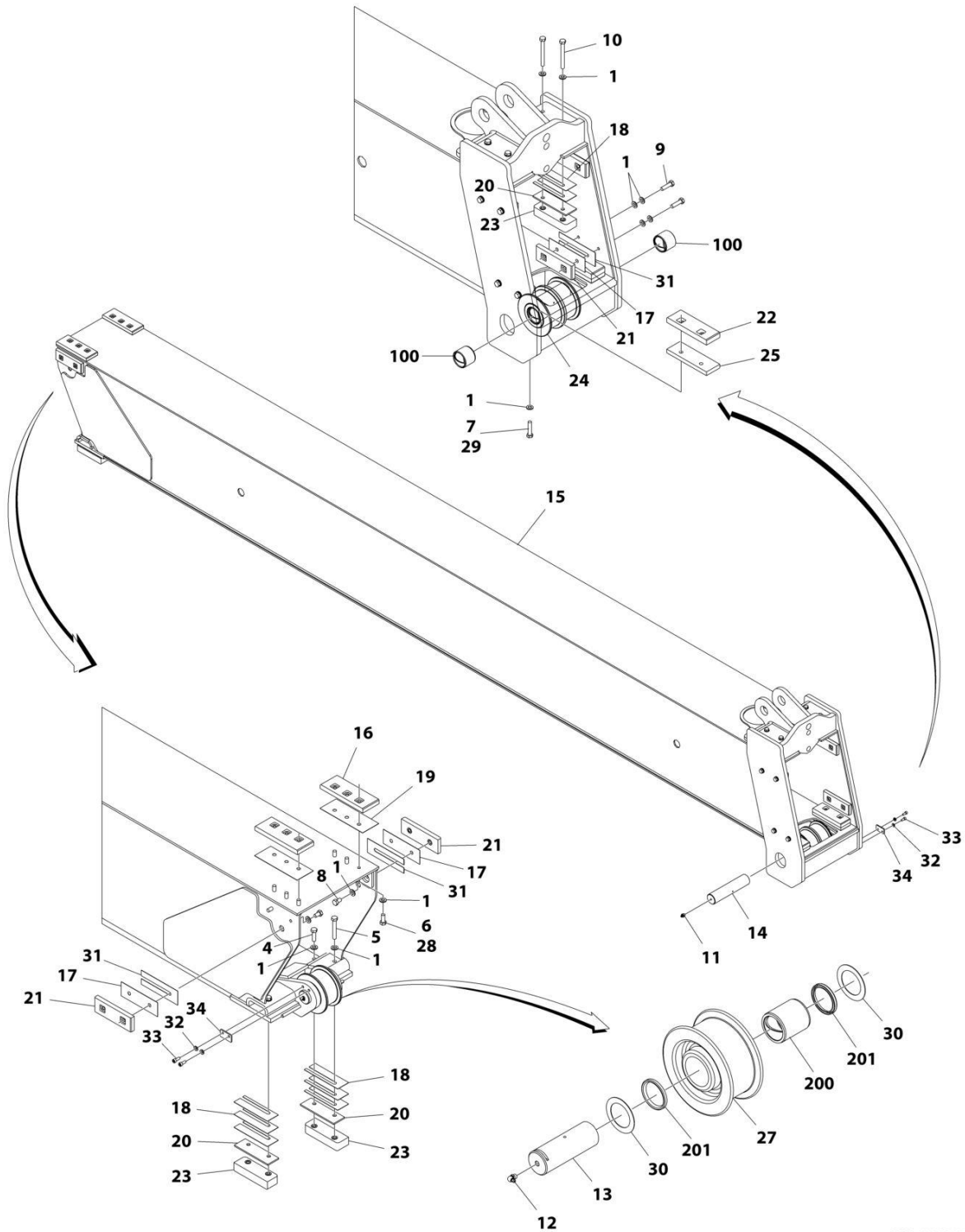
## SECTION 2 - BOOM

**FIGURE 2-5. SECOND BOOM ASSEMBLY - 1055**

ITEM	PART NUMBER	QTY	DESCRIPTION	REV
	1001160014	Ref	SECOND BOOM ASSEMBLY - 1055	J
2	0711216	2	Bolt, M12 x 40	
3	0711224	2	Bolt, M12 x 80	
4	0711214	6	Bolt, M12 x 30	
5	0711219	4	Bolt, M12 x 55 GR10.9	
6	0771210	4	Bolt, M12 x 20	
7	0711217	8	Bolt, M12 x 45	
8	0711228	4	Bolt, M12 x 110	
9	2160016	1	Fitting, Grease	
10	2160018	1	Fitting, Grease	
12	1001125117	AR	Washer, M12	
14	1001101867	1	Assembly, Chain Sheave (Includes Item 100)	
15	1001159611	1	Pin	
16	1001161054	1	Pin	
17	1001162469	2	Pad, Wear	
18	1001163034	AR	Spacer	
19	1001163104	AR	Shim	
20	1001163108	AR	Spacer	
21	1001163112	AR	Spacer	
22	1001163114	4	Spacer	
23	1001163900	1	Weldment, Second Boom	
24	1001165171	6	Pad, Wear	
25	1001165173	2	Pad, Wear	
26	1001165175	4	Pad, Wear	
27	1001168286	1	Assembly, Chain Sheave (Includes Item 200)	
28	1001170627	2	Spacer	
30	0711215	AR	Bolt, M12 x 35	
31	0711220	AR	Bolt, M12 x 60	
32	1001163103	AR	Shim	
33	5240800	4	Washer, M8	
34	5271808	4	Bolt, M8 x 20	
35	1001206248	2	Bracket	
100	7117502	2	Bushing (Part of Item 14)	
200	1001167025	2	Bushing (Part of Item 27)	

# SECTION 2 - BOOM

## FIGURE 2-6. SECOND BOOM ASSEMBLY - 1255



ART\_1001160013



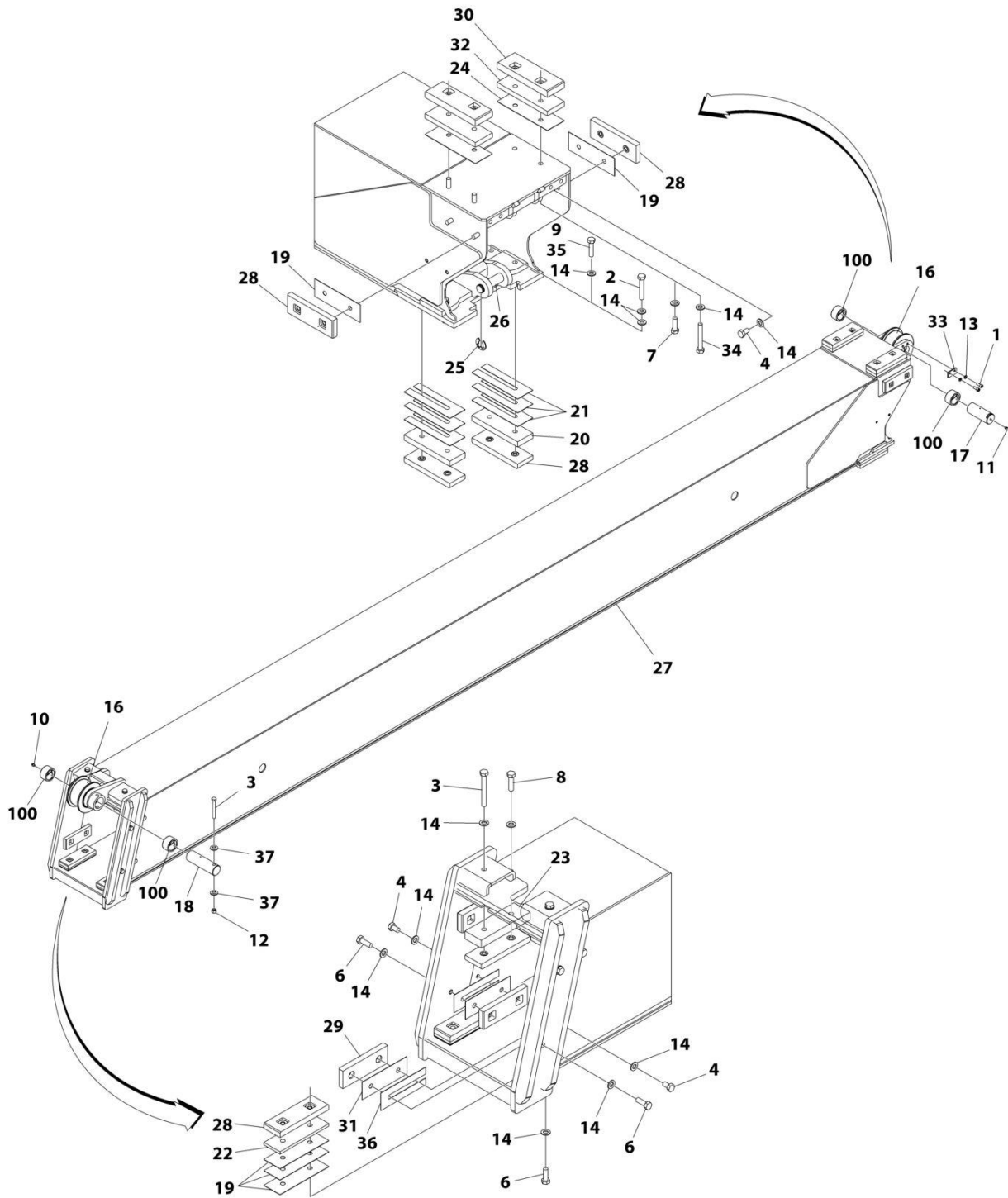
## SECTION 2 - BOOM

**FIGURE 2-6. SECOND BOOM ASSEMBLY - 1255**

ITEM	PART NUMBER	QTY	DESCRIPTION	REV
	1001160013	Ref	SECOND BOOM ASSEMBLY - 1255	I
1	1001125117	AR	Washer, M12	
4	0711216	2	Bolt, M12 x 40	
5	0711224	2	Bolt, M12 x 80 GR10.9	
6	0711214	6	Bolt, M12 x 30	
7	0711219	4	Bolt, M12 x 55 GR10.9	
8	0771210	4	Bolt, M12 x 20 GR10.9	
9	0711217	8	Bolt, M12 x 45	
10	0711228	4	Bolt, M12 x 10	
11	2160016	1	Fitting, Grease	
12	2160018	1	Fitting, Grease	
13	1001159611	1	Pin	
14	1001161054	1	Pin	
15	1001162286	1	Weldment, Second Boom	
16	1001162469	2	Pad, Wear	
17	1001163034	AR	Spacer	
18	1001163104	AR	Shim	
19	1001163112	AR	Spacer	
20	1001163114	4	Plate, Spacer	
21	1001165171	6	Pad, Wear	
22	1001165173	2	Pad, Wear	
23	1001165175	4	Pad, Wear	
24	1001167027	1	Assembly, Chain Sheave (Includes Item 100)	
25	1001170627	2	Spacer	
27	91565005	1	Assembly, Chain Sheave (Includes Item 200-201)	
28	0711215	AR	Bolt, M12 x 35	
29	0711220	AR	Bolt, M12 x 60	
30	91041596	AR	Washer	
31	1001163103	AR	Shim	
32	5240800	4	Washer, M8	
33	5271808	4	Bolt, M8 x 20	
34	1001206248	2	Bracket	
100	1001167025	2	Bushing (Part of Item 24)	
200	91563025	1	Bushing (Part of Item 27)	
201	91403119	2	Seal (Part of Item 27)	

# SECTION 2 - BOOM

## FIGURE 2-7. THIRD BOOM ASSEMBLY - 1055



ART\_1001160024

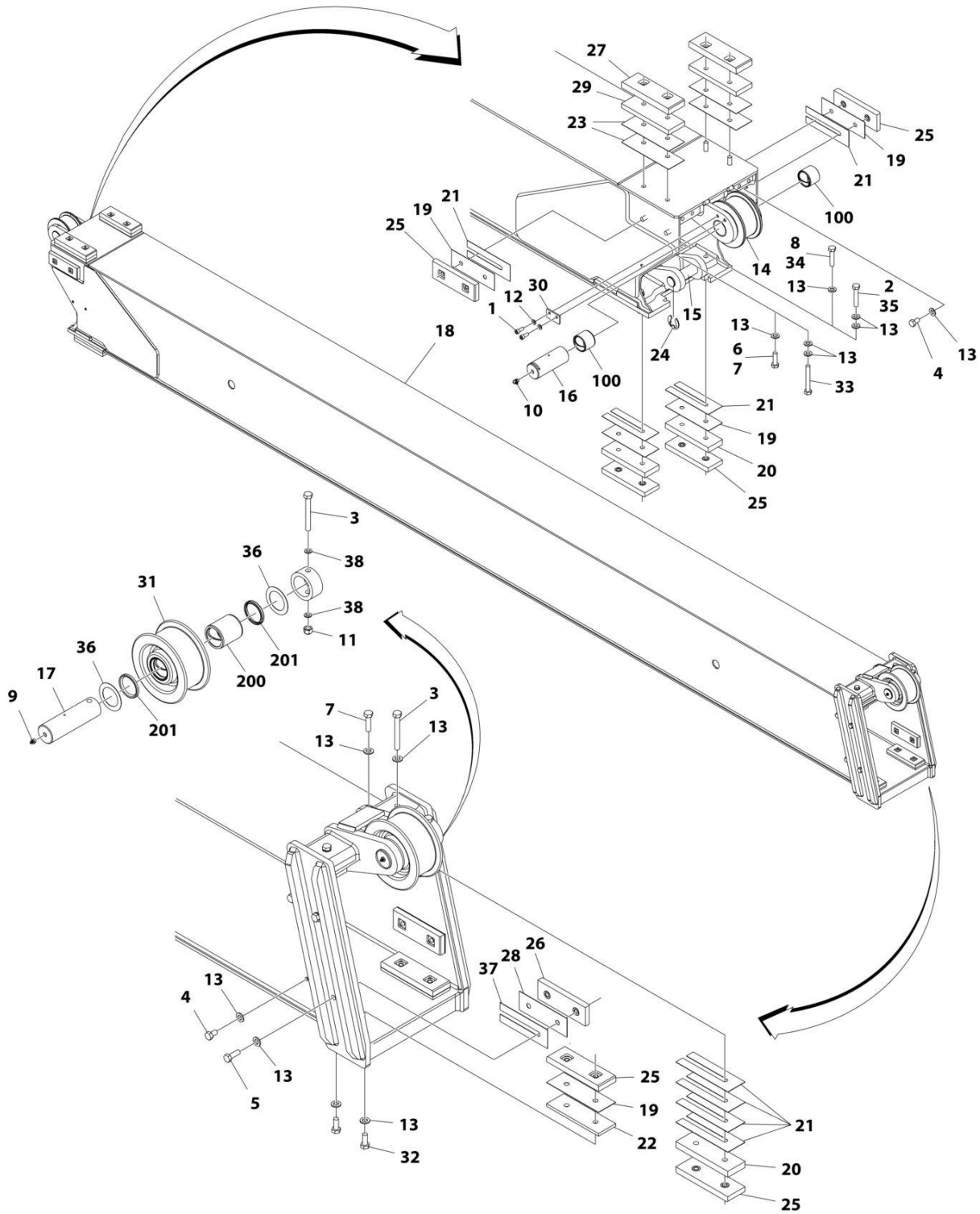
## SECTION 2 - BOOM

### FIGURE 2-7. THIRD BOOM ASSEMBLY - 1055

ITEM	PART NUMBER	QTY	DESCRIPTION	REV
	1001160024	Ref	THIRD BOOM ASSEMBLY - 1055	J
1	5271808	2	Bolt, M8 x 20	
2	1001098828	2	Bolt, M12 x 70	
3	0711227	3	Bolt, M12 x 100	
4	0771210	8	Bolt, M12 x 20	
6	0711215	8	Bolt, M12 x 35	
7	0711216	2	Bolt, M12 x 40	
8	0711217	2	Bolt, M12 x 45	
9	0711218	AR	Bolt, M12 x 50	
10	2160016	1	Fitting, Grease	
11	2160018	1	Fitting, Grease	
12	3291205	1	Nut, Lock M12 x 1.75	
13	5240800	2	Washer, M8	
14	1001125117	AR	Washer, M12	
16	1001101867	2	Assembly, Chain Sheave (Includes Item 100)	
17	1001159613	1	Pin	
18	1001161055	1	Pin	
19	1001163034	AR	Spacer	
20	1001163038	2	Spacer	
21	1001163103	AR	Shim	
22	1001163105	2	Spacer	
23	1001163107	2	Spacer	
24	1001163108	AR	Spacer	
25	1001163638	2	Ring, Retaining	
26	1001163693	1	Pin	
27	1001163903	1	Weldment, Third Boom	
28	1001165171	8	Pad, Wear	
29	1001165172	4	Pad, Wear	
30	1001165173	2	Pad, Wear	
31	1001165367	AR	Spacer	
32	1001170627	2	Spacer	
33	1001206248	1	Bracket	
34	0711226	2	Bolt, M12 x 85	
35	0711219	2	Bolt, M12 x 55	
36	1001200989	AR	Shim	
37	4812100	2	Washer, M12	
100	7117502	4	Bushing (Part of Item 16) (2 per assembly)	

# SECTION 2 - BOOM

## FIGURE 2-8. THIRD BOOM ASSEMBLY - 1255



ART\_1001160023

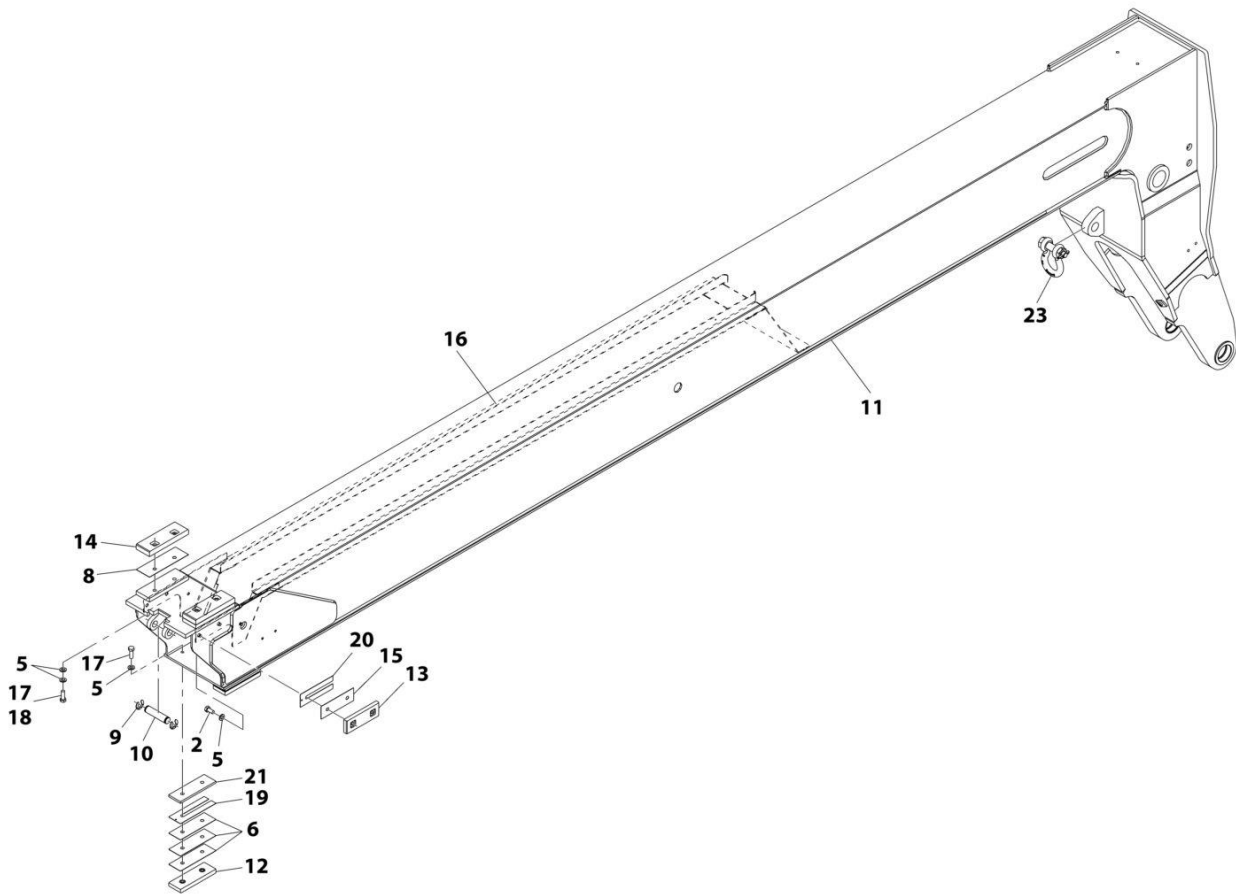
## SECTION 2 - BOOM

### FIGURE 2-8. THIRD BOOM ASSEMBLY - 1255

ITEM	PART NUMBER	QTY	DESCRIPTION	REV
	1001160023	Ref	THIRD BOOM ASSEMBLY - 1255	I
1	5271808	2	Bolt, M8 x 20	
2	1001098828	2	Bolt, M12-1.75 x 70 GR10.9	
3	0711227	3	Bolt, M12 x 100 GR10.9	
4	0771210	8	Bolt, M12 x 20 GR10.9	
5	0711215	4	Bolt, M12 x 35 GR10.9	
6	0711216	2	Bolt, M12 x 40 GR10.9	
7	0711217	2	Bolt, M12 x 45	
8	0711218	2	Bolt, M12 x 50 GR10.9	
9	2160016	1	Fitting, Grease	
10	2160018	1	Fitting, Grease	
11	3291205	1	Nut, Lock M12 x 1.75	
12	5240800	2	Washer, M8	
13	1001125117	AR	Washer, M12	
14	1001101867	1	Assembly, Chain Sheave (Includes Item 100)	
15	1001159612	1	Pin	
16	1001159613	1	Pin	
17	1001161055	1	Pin	
18	1001162376	1	Weldment, Third Boom	
19	1001163034	AR	Spacer	
20	1001163038	4	Spacer	
21	1001163103	AR	Shim	
22	1001163105	2	Spacer	
23	1001163108	AR	Spacer	
24	1001163619	2	Ring, Retaining	
25	1001165171	8	Pad, Wear	
26	1001165172	4	Pad, Wear	
27	1001165173	2	Pad, Wear	
28	1001165367	AR	Spacer	
29	1001170627	2	Spacer	
30	1001206248	1	Bracket	
31	91565005	1	Assembly, Chain Sheave (Includes Item 200-201)	
32	0711214	4	Bolt, M12 x 30	
33	0711226	2	Bolt, M12 x 90	
34	0711219	AR	Bolt, M12 x 55	
35	0711221	AR	Bolt, M12 x 65	
36	91041596	AR	Washer	
37	1001200989	AR	Shim	
38	4812100	2	Washer, M12	
100	7117502	2	Bushing (Part of Item 14)	
200	91563025	1	Bushing (Part of Item 31)	
201	91403119	2	Seal (Part of Item 31)	

# SECTION 2 - BOOM

## FIGURE 2-9. FOURTH BOOM ASSEMBLY - 1055



ART\_1001160033-K

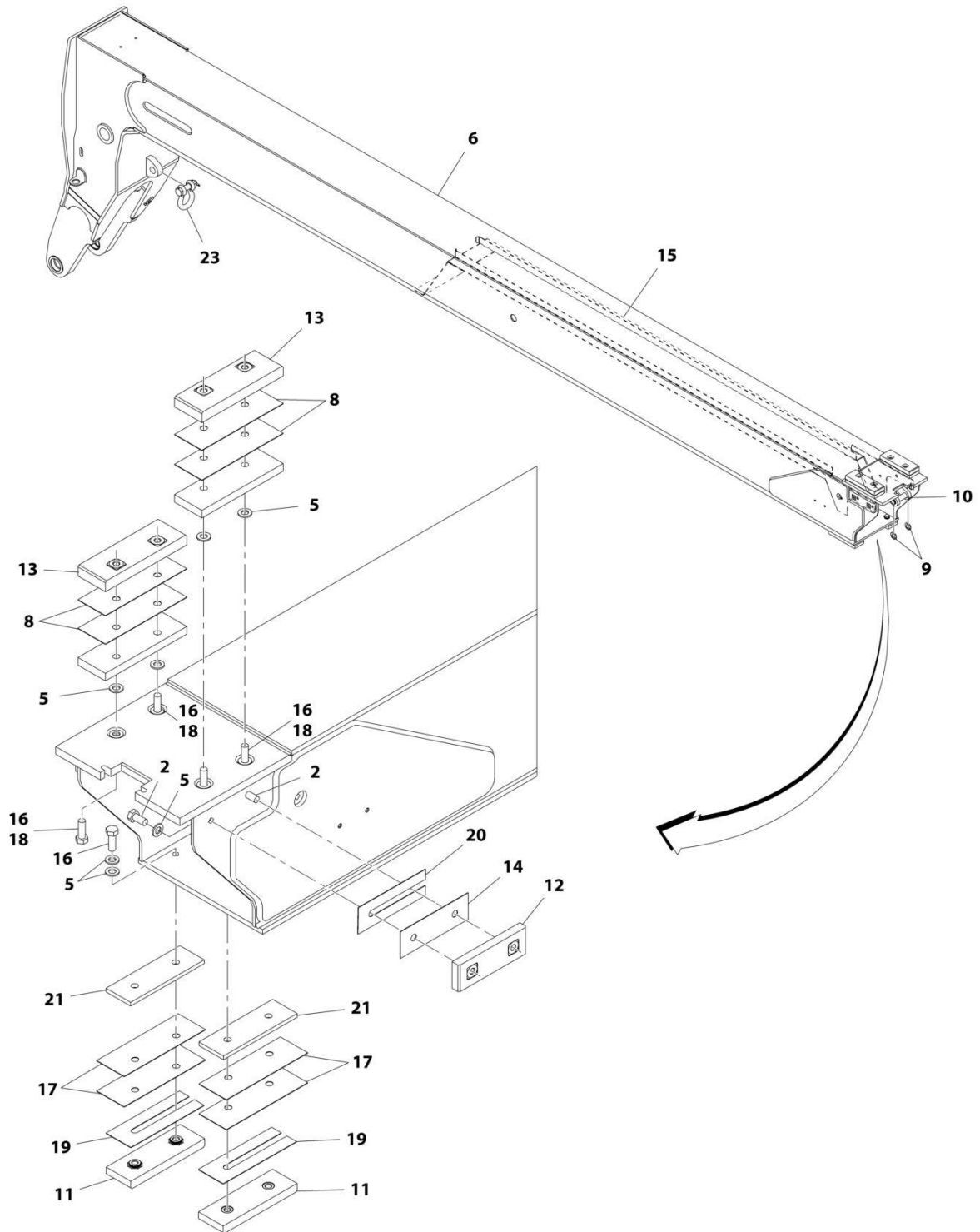
## SECTION 2 - BOOM

**FIGURE 2-9. FOURTH BOOM ASSEMBLY - 1055**

ITEM	PART NUMBER	QTY	DESCRIPTION	REV
	1001160033	Ref	Fourth Boom Assembly - 1055	K
2	0771212	4	Bolt, M12X35	
5	1001125117	AR	Washer, M12	
6	1001163034	AR	Spacer	
8	1001163108	AR	Spacer	
9	1001163638	2	Ring, Retainer	
10	1001163693	1	Pin	
11	1001163908	1	Weldment, Fourth Boom	
12	1001165171	2	Pad, Wear	
13	1001165172	2	Pad, Wear	
14	1001165173	2	Pad, Wear	
15	1001165367	AR	Spacer	
16	1001173926	1	Support, Hose	
17	0711215	8	Bolt, M12X35	
18	0711214	AR	Bolt, M12X30	
19	1001163103	AR	Shim	
20	1001200989	AR	Shim	
21	1001163105	2	Plate, Spacer	
23	1001204045	1	Clevis	

# SECTION 2 - BOOM

## FIGURE 2-10. FOURTH BOOM ASSEMBLY - 1255



ART\_1001160032-K



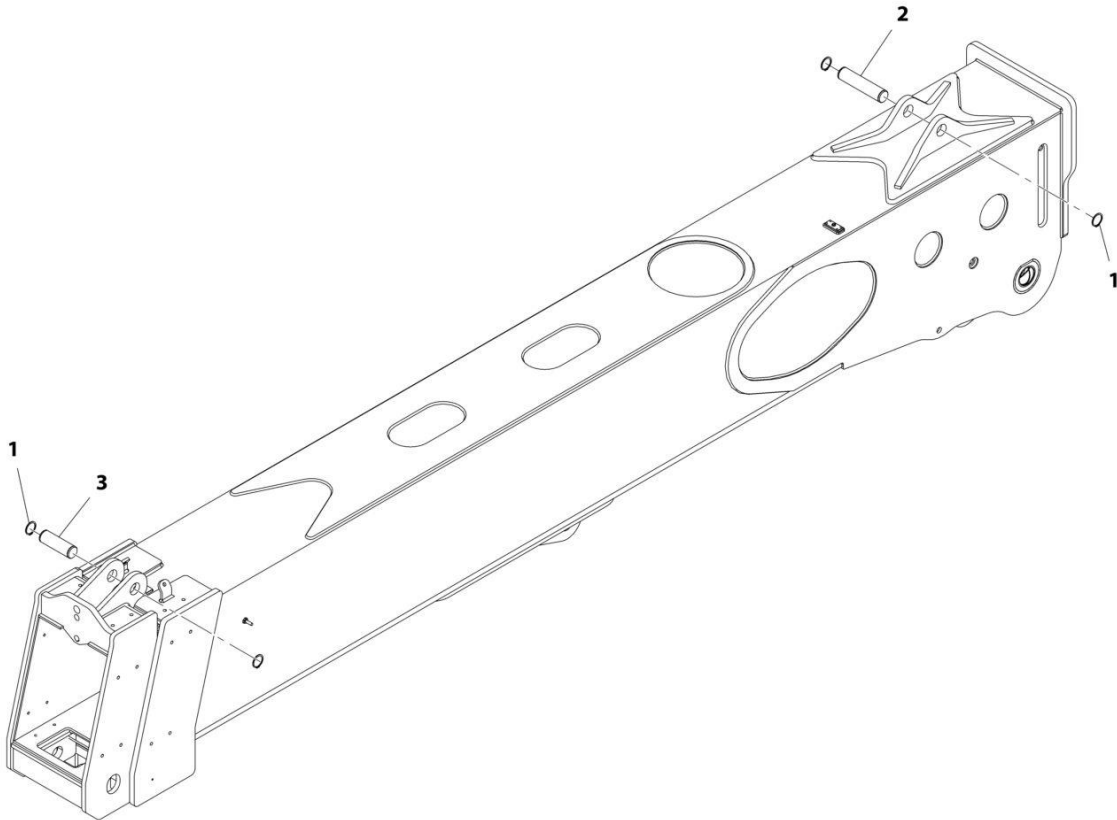
## SECTION 2 - BOOM

**FIGURE 2-10. FOURTH BOOM ASSEMBLY - 1255**

ITEM	PART NUMBER	QTY	DESCRIPTION	REV
	1001160032	Ref	Fourth Boom Assembly - 1255	K
2	0771212	4	Bolt, M12X25	
5	1001125117	AR	Washer, M12	
6	1001162262	1	Weldment, Fourth Boom	
8	1001163108	AR	Spacer	
9	1001163638	2	Ring, Retaining	
10	1001163693	1	Pin	
11	1001165171	2	Wear, Pad	
12	1001165172	2	Pad, Wear	
13	1001165173	2	Pad, Wear	
14	1001165367	AR	Spacer	
15	1001173926	1	Support, Hose	
16	0711215	8	Bolt, M12X35	
17	1001163034	AR	Spacer	
18	0711214	AR	Bolt, M12X30	
19	1001163103	AR	Shim	
20	1001200989	AR	Shim	
21	1001163105	2	Plate, Spacer	
23	1001204045	1	Clevis	

# SECTION 2 - BOOM

## FIGURE 2-11. EXTEND CYLINDER PINS INSTALLATION



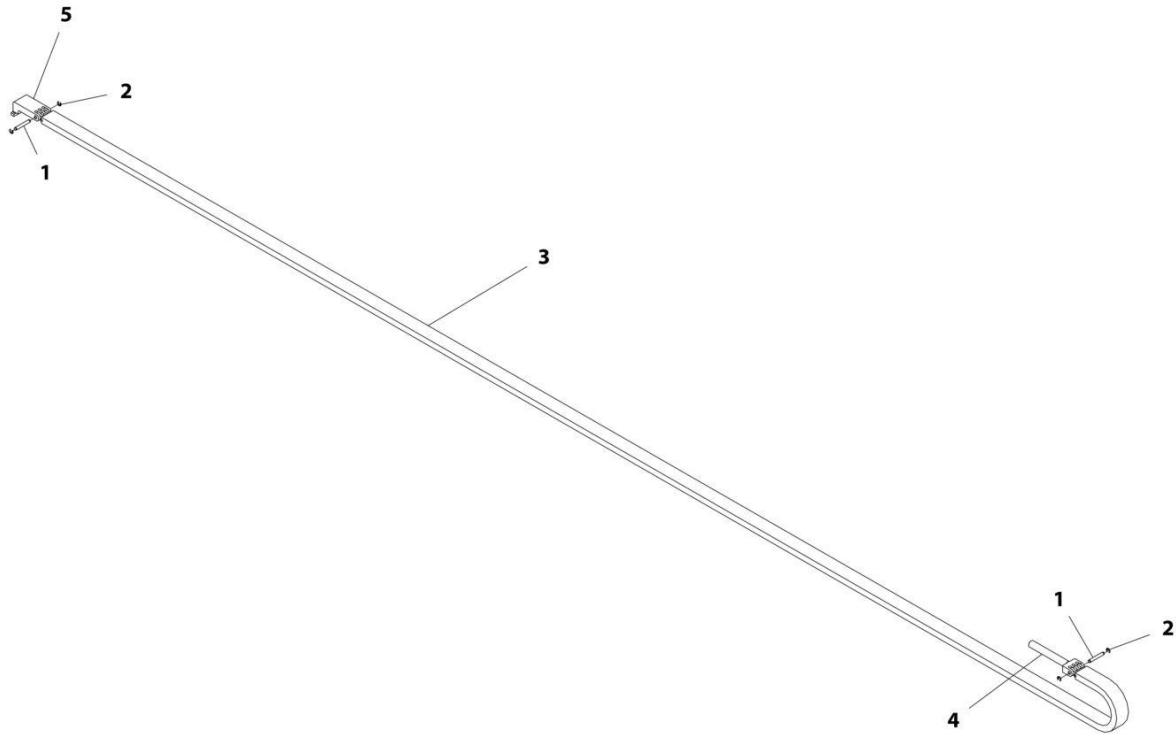
ART\_1001163881-A

**FIGURE 2-11. EXTEND CYLINDER PINS INSTALLATION**

<b>ITEM</b>	<b>PART NUMBER</b>	<b>QTY</b>	<b>DESCRIPTION</b>	<b>REV</b>
	1001163881	Ref	Extend Cylinder Pins Installation	A
1	3760493	4	Ring, Retaining	
2	1001159609	1	Pin	
3	1001163880	1	Pin	

# SECTION 2 - BOOM

FIGURE 2-12. SECOND BOOM SECTION EXTEND CHAIN INSTALLATION - 1055



ART\_1001165046-C

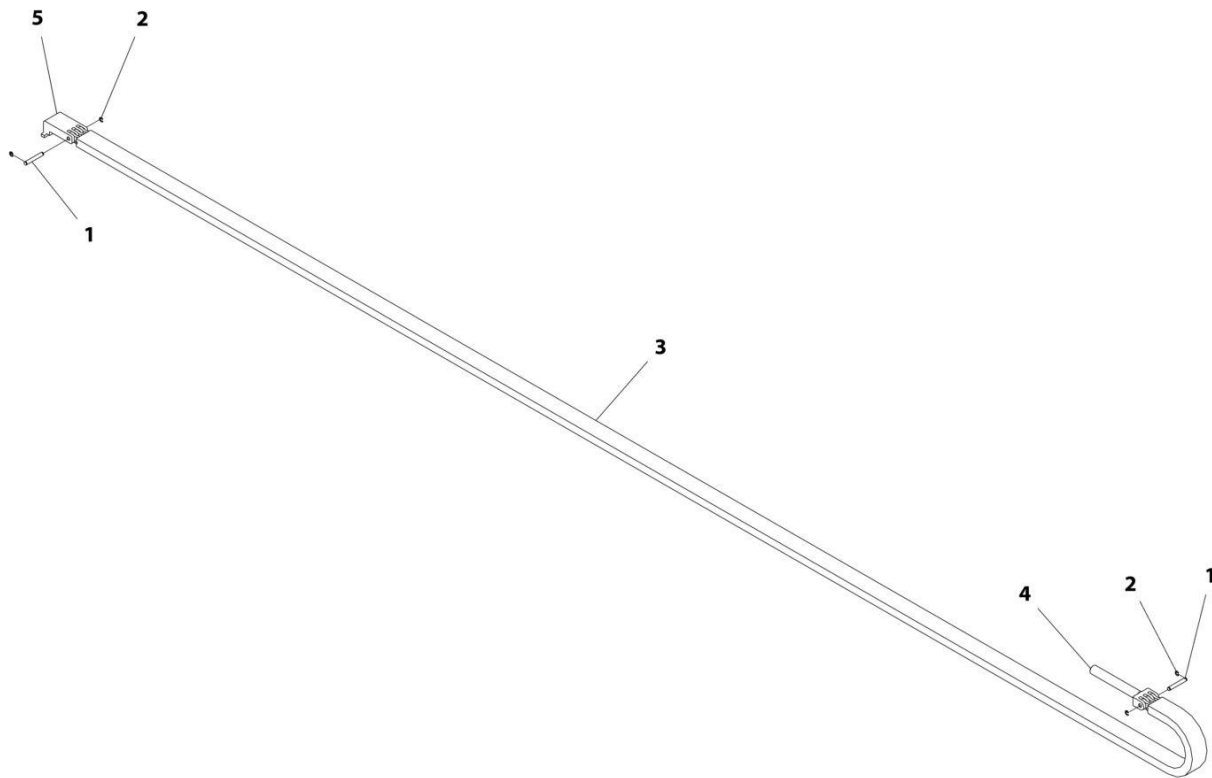
## SECTION 2 - BOOM

**FIGURE 2-12. SECOND BOOM SECTION EXTEND CHAIN INSTALLATION - 1055**

ITEM	PART NUMBER	QTY	DESCRIPTION	REV
	1001165046	Ref	Second Boom Section Extend Chain Installation - 1055	C
1	1001163841	2	Pin	
2	1001164039	4	Ring, Retaining	
3	1001165040	1	Chain	
4	1001165590	1	Clevis, Chain	
5	1001165739	1	Clevis, Chain	

# SECTION 2 - BOOM

FIGURE 2-13. SECOND BOOM SECTION EXTEND CHAIN INSTALLATION - 1255



ART\_1001165296-D

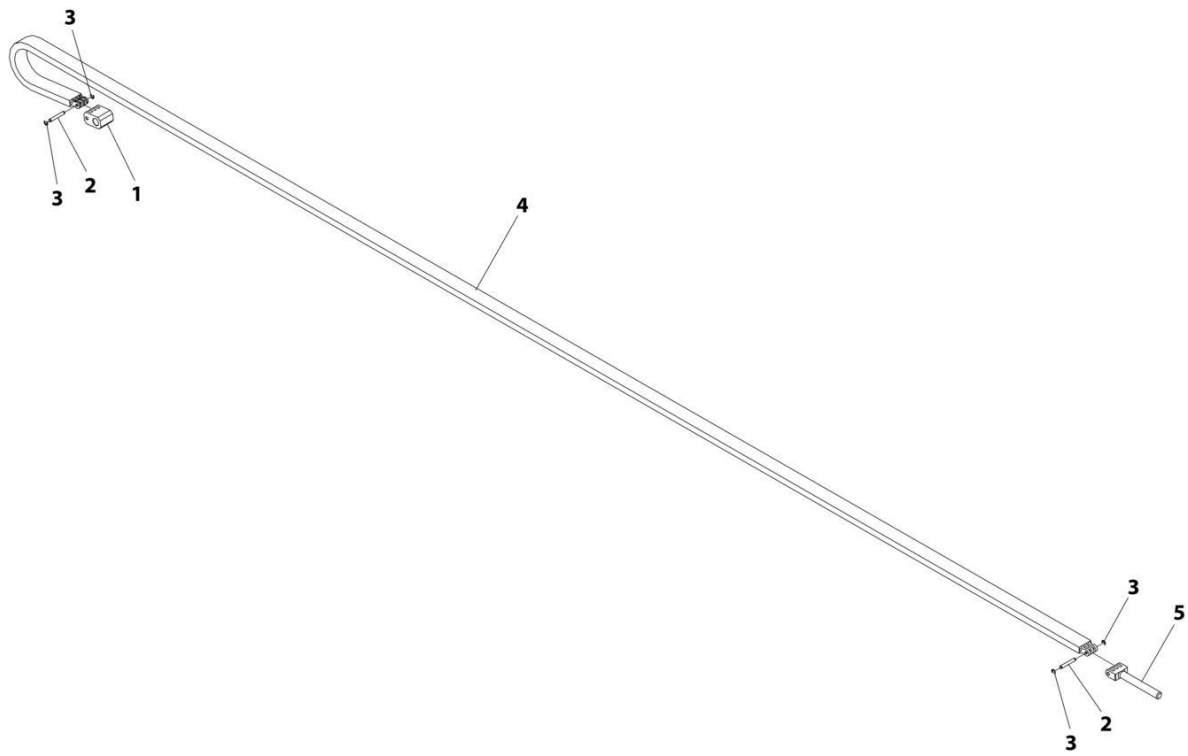
## SECTION 2 - BOOM

**FIGURE 2-13. SECOND BOOM SECTION EXTEND CHAIN INSTALLATION - 1255**

ITEM	PART NUMBER	QTY	DESCRIPTION	REV
	1001165296	Ref	Second Boom Section Extend Chain Installation - 1255	D
1	1001163842	2	Pin	
2	1001164039	4	Ring, Retainer	
3	1001165293	1	Chain, Extend	
4	1001165486	1	Chain	
5	1001165493	1	Clevis, Chain	

# SECTION 2 - BOOM

## FIGURE 2-14. THIRD BOOM SECTION RETRACT CHAIN INSTALLATION



ART\_1001165048-C



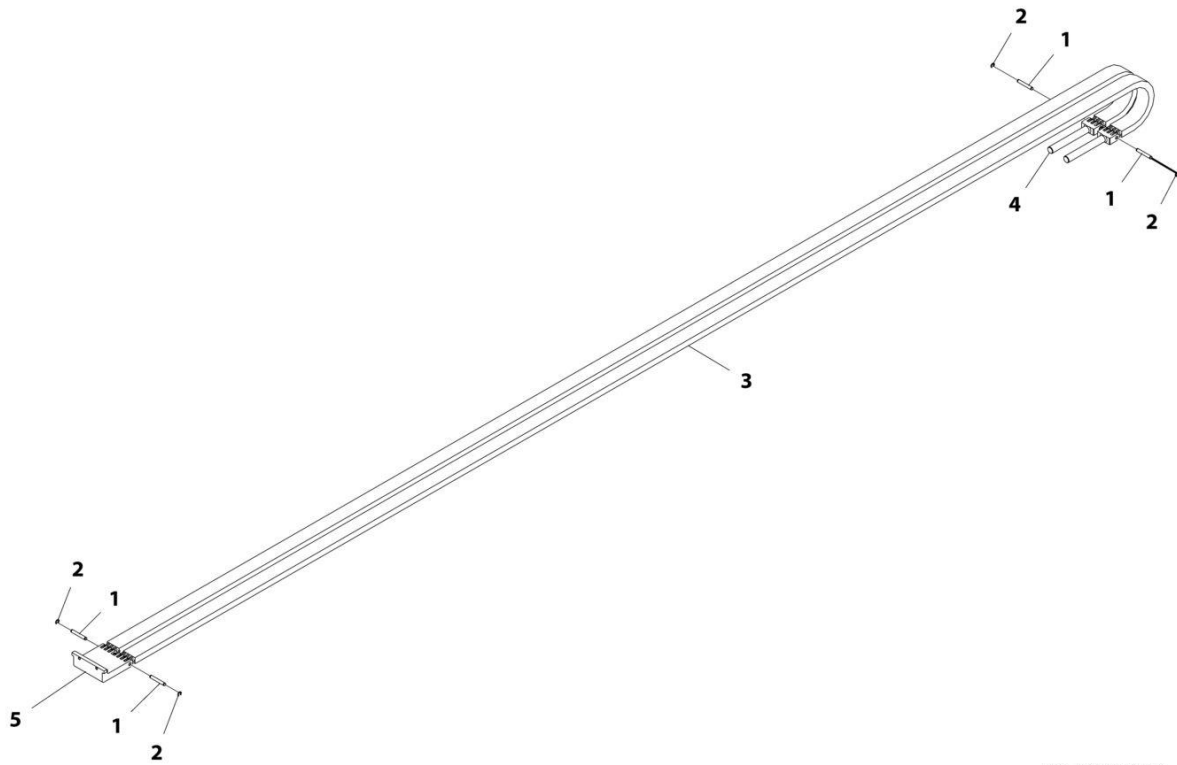
## SECTION 2 - BOOM

**FIGURE 2-14. THIRD BOOM SECTION RETRACT CHAIN INSTALLATION**

ITEM	PART NUMBER	QTY	DESCRIPTION	REV
	1001165048	Ref	Third Boom Section Retract Chain Installation	C
1	1001147623	1	Clevis, Chain	
2	1001163841	2	Pin, Chain Clevis	
3	1001164039	4	Ring, M8	
4	1001165043	1	Chain	
5	1001165590	1	Clevis, Chain	

# SECTION 2 - BOOM

FIGURE 2-15. SECOND BOOM SECTION EXTEND CHAIN INSTALLATION - 1055



ART\_1001165045-A

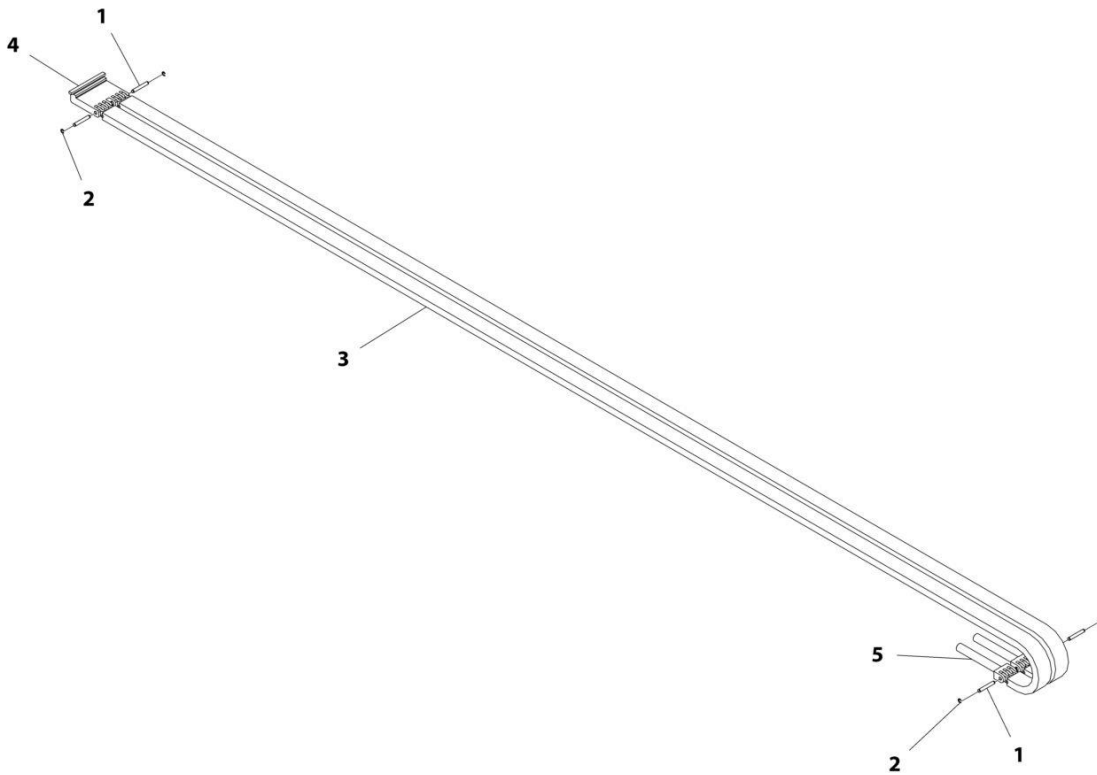
## SECTION 2 - BOOM

**FIGURE 2-15. SECOND BOOM SECTION EXTEND CHAIN INSTALLATION - 1055**

ITEM	PART NUMBER	QTY	DESCRIPTION	REV
	1001165045	Ref	Second Boom Section Extend Chain Installation - 1055	A
1	1001163841	4	Pin, Chain Clevis	
2	1001164039	8	Ring, M8	
3	1001165036	2	Chain	
4	1001165483	1	Clevis, Dual	
5	1001165590	2	Clevis, Dual	

# SECTION 2 - BOOM

FIGURE 2-16. SECOND BOOM SECTION EXTEND CHAIN INSTALLATION - 1255



ART\_1001165295-A

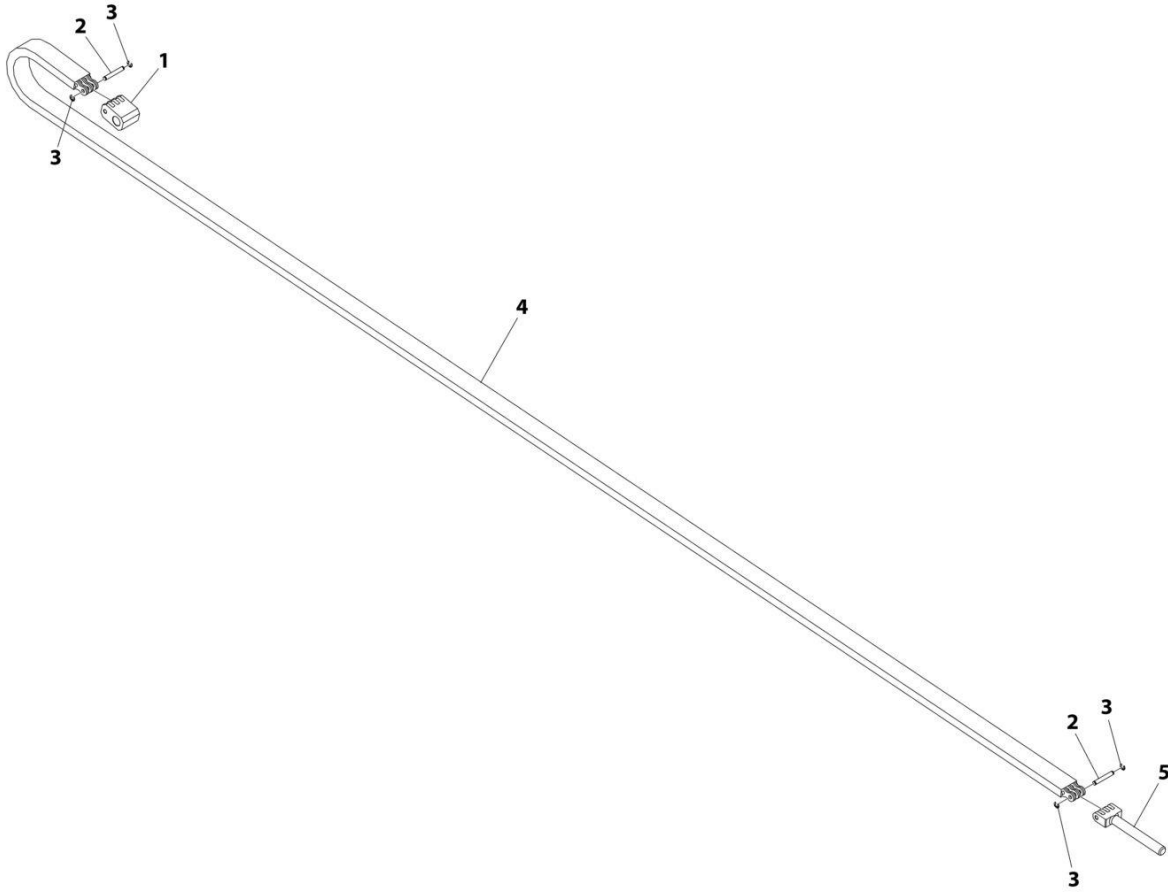
## SECTION 2 - BOOM

**FIGURE 2-16. SECOND BOOM SECTION EXTEND CHAIN INSTALLATION - 1255**

ITEM	PART NUMBER	QTY	DESCRIPTION	REV
	1001165295	Ref	Second Boom Section Extend Chain Installation - 1255	A
1	1001163842	4	Pin, Chain Clevis	
2	1001164039	8	Ring, M8	
3	1001165292	2	Chain, Extend	
4	1001165487	1	Clevis, Dual	
5	1001165486	2	Clevis, Chain	

# SECTION 2 - BOOM

FIGURE 2-17. THIRD BOOM SECTION RETRACT CHAIN INSTALLATION - 1055



ART\_1001165047-C

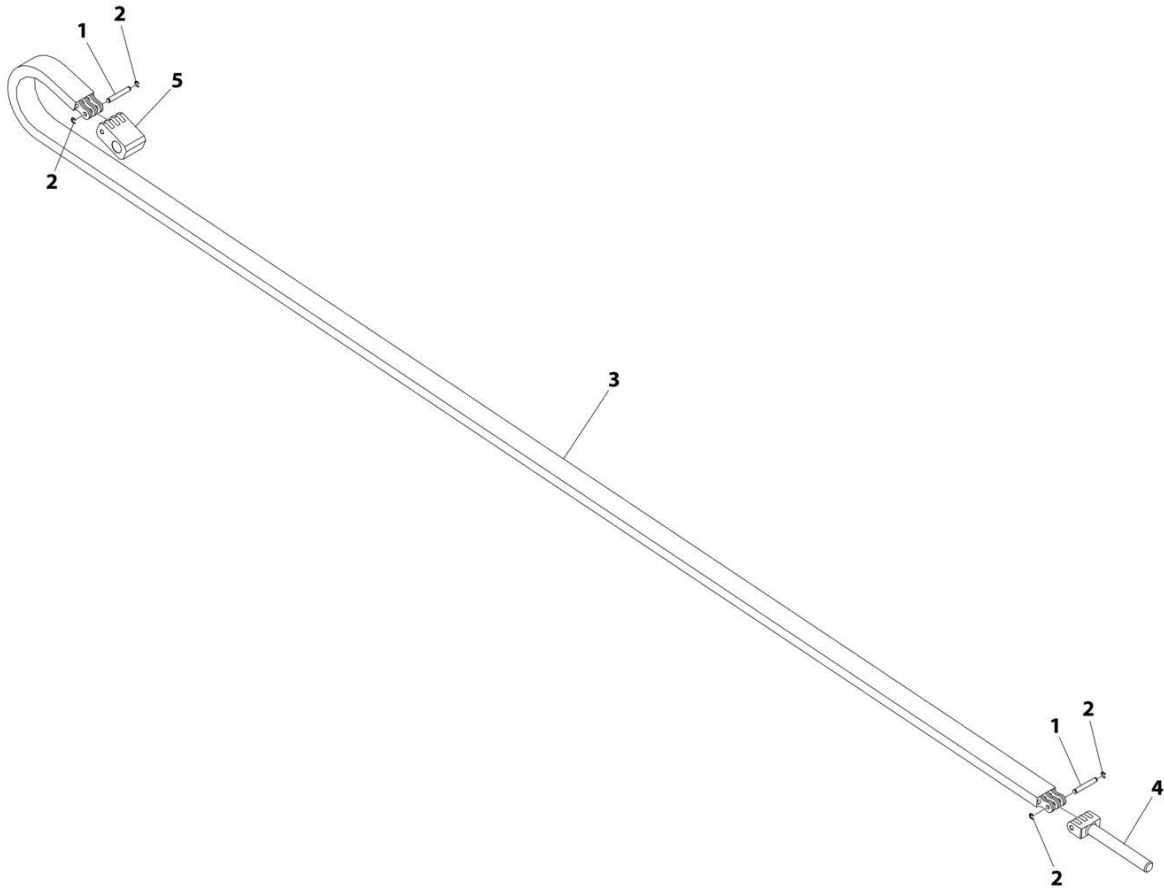
## SECTION 2 - BOOM

**FIGURE 2-17. THIRD BOOM SECTION RETRACT CHAIN INSTALLATION - 1055**

ITEM	PART NUMBER	QTY	DESCRIPTION	REV
	1001165047	Ref	Third Boom Section Retract Chain Installation - 1055	C
1	1001147623	1	Clevis, Chain	
2	1001163841	2	Pin, Chain clevis	
3	1001164039	4	Ring, M8	
4	1001165042	1	Chain	
5	1001165590	1	Clevis, Chain	

# SECTION 2 - BOOM

FIGURE 2-18. THIRD BOOM SECTION RETRACT CHAIN INSTALLATION - 1255



ART\_1001165297-D



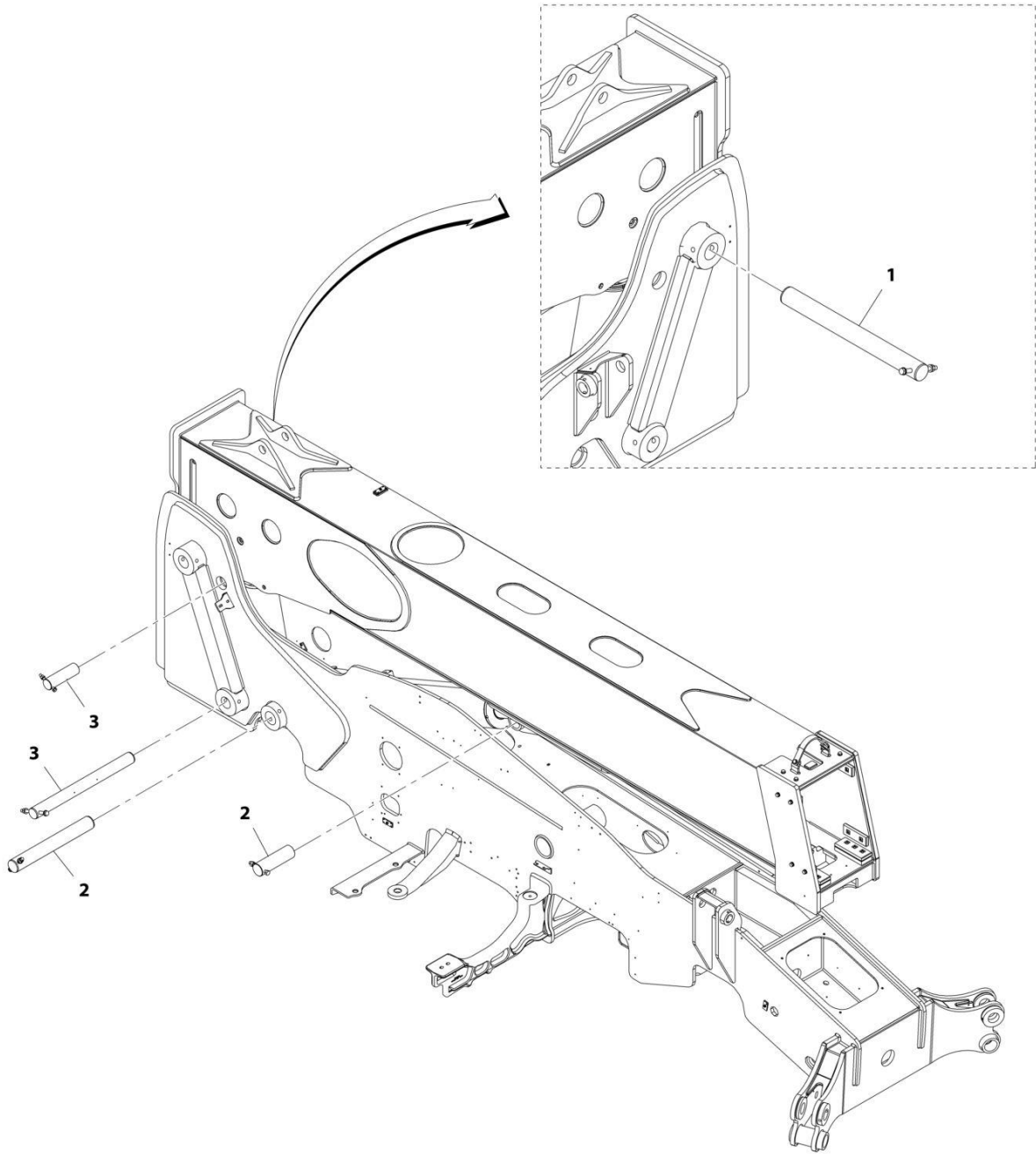
## SECTION 2 - BOOM

**FIGURE 2-18. THIRD BOOM SECTION RETRACT CHAIN INSTALLATION - 1255**

ITEM	PART NUMBER	QTY	DESCRIPTION	REV
	1001165297	Ref	Third Boom Section Retract Chain Installation - 1255	D
1	1001163842	2	Pin, Chain Clevis	
2	1001164039	4	Ring, M8	
3	1001165294	1	Chain, Retract	
4	1001165486	1	Clevis, Chain	
5	1001165496	1	Clevis, Chain	

# SECTION 2 - BOOM

## FIGURE 2-19. BOOM PIN INSTALLATION



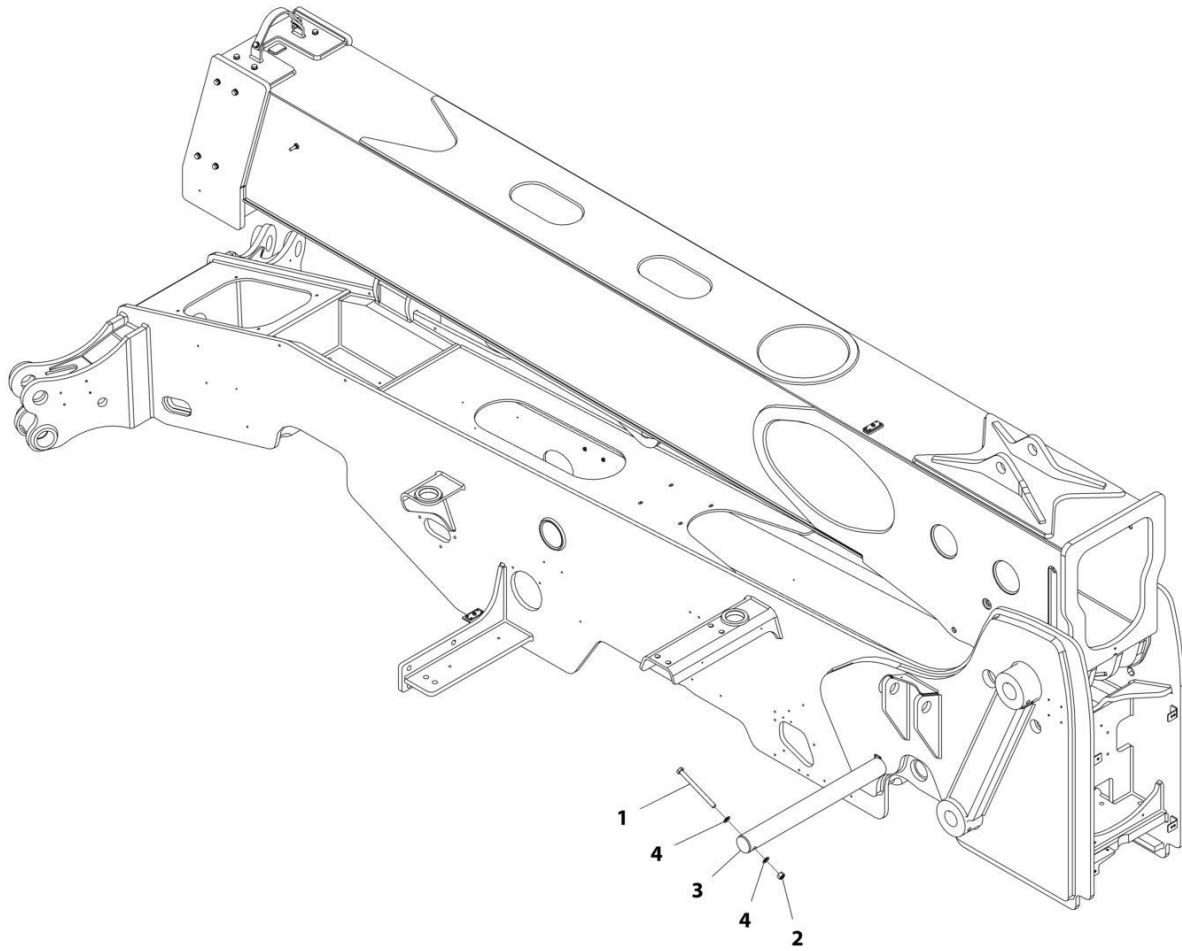
ART\_1001159943-C

**FIGURE 2-19. BOOM PIN INSTALLATION**

ITEM	PART NUMBER	QTY	DESCRIPTION	REV
	1001159943	Ref	Boom Pinning Installation	C
1	1001159947	Ref	Installation, Boom Pivot (See Separate Breakdown in this Section)	
2	1001167010	Ref	Installation, Lift Cylinder (See Separate Breakdown in this Section)	
3	1001167011	Ref	Installation, Compensation Cylinder (See Separate Breakdown in this Section)	

# SECTION 2 - BOOM

## FIGURE 2-20. BOOM PIVOT PIN INSTALLATION



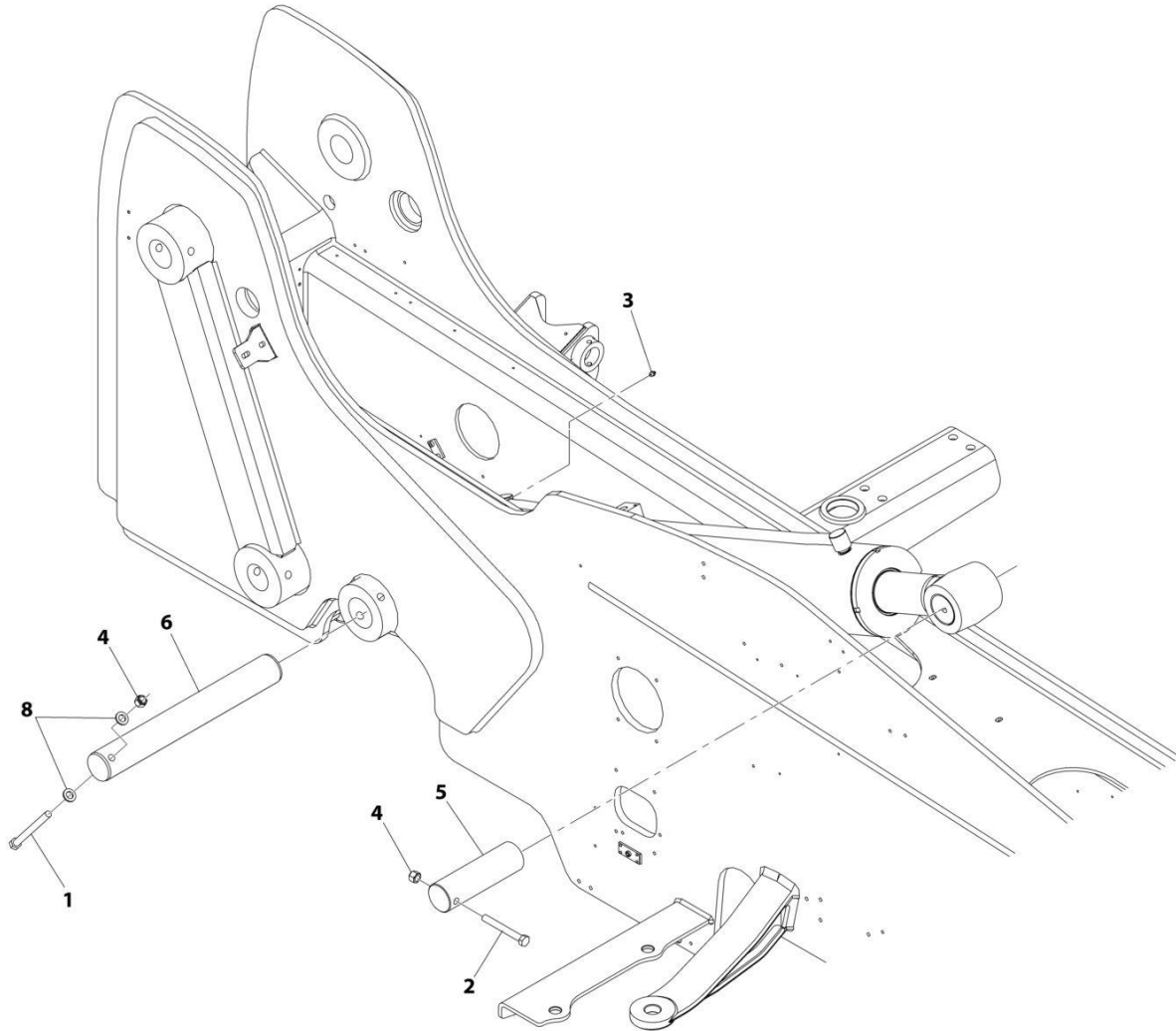
ART\_1001159947-C

FIGURE 2-20. BOOM PIVOT PIN INSTALLATION

ITEM	PART NUMBER	QTY	DESCRIPTION	REV
	1001159947	Ref	Boom Pivot Installation	C
1	1001091951	1	Bolt, M16X180 Grade 10.9	
2	3291605	1	Nut, Lock M16X2 Grade 8	
3	1001166975	1	Pin	
4	4812300	2	Washer, M16	

# SECTION 2 - BOOM

## FIGURE 2-21. LIFT CYLINDER PIN INSTALLATION



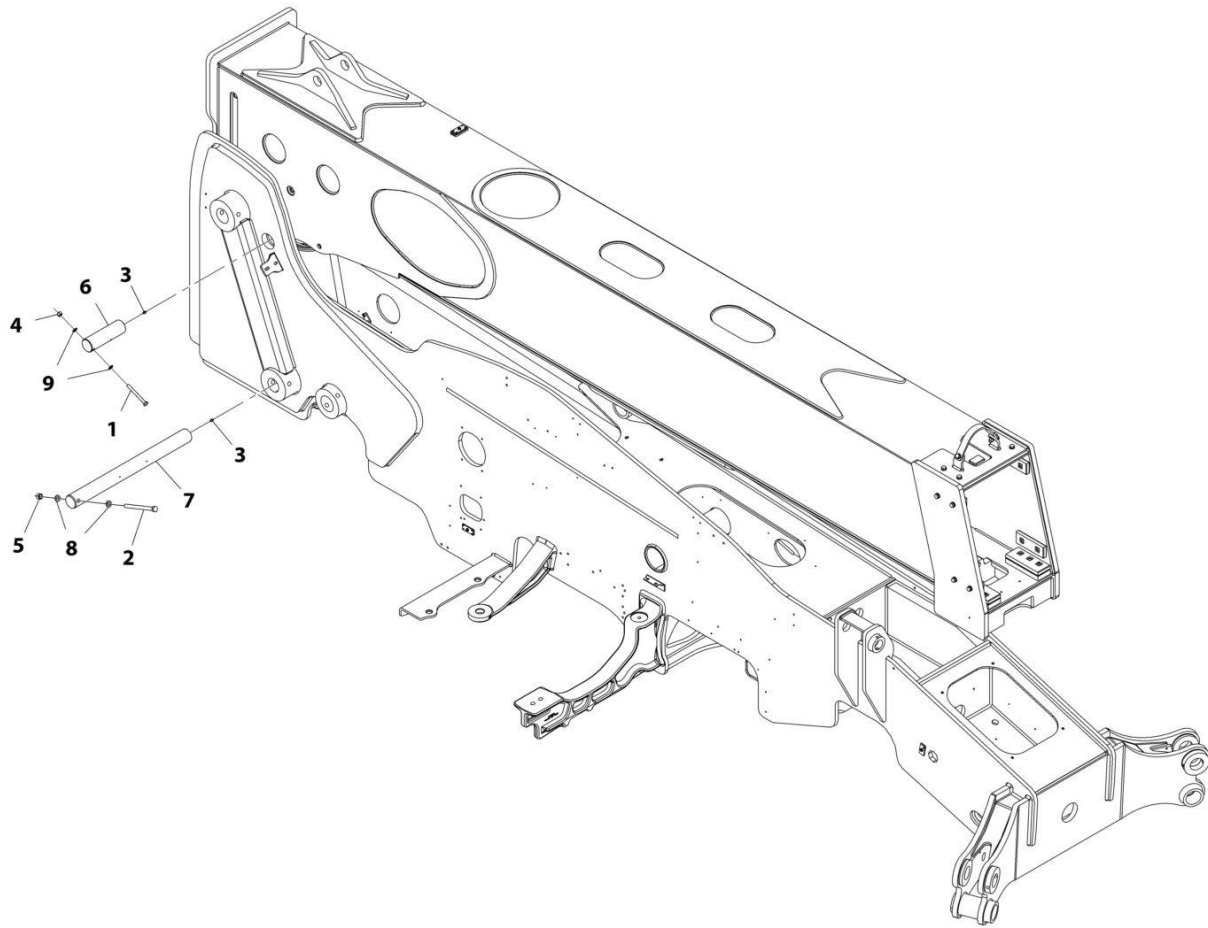
ART\_1001167010-G

FIGURE 2-21. LIFT CYLINDER PIN INSTALLATION

ITEM	PART NUMBER	QTY	DESCRIPTION	REV
	1001167010	Ref	Lift Cylinder Installation	G
1	0711631	1	Bolt, M16X140	
2	0711630	1	Bolt, M16X130 Grade 10.9	
3	2160016	1	Fitting, Grease	
4	3291605	2	Nut, Lock M16X2	
5	1001207939	1	Pin	
6	1001164888	1	Pin	
8	4812300	2	Washer, M16	

# SECTION 2 - BOOM

## FIGURE 2-22. COMPENSATION CYLINDER PIN INSTALLATION



ART\_1001167011-C

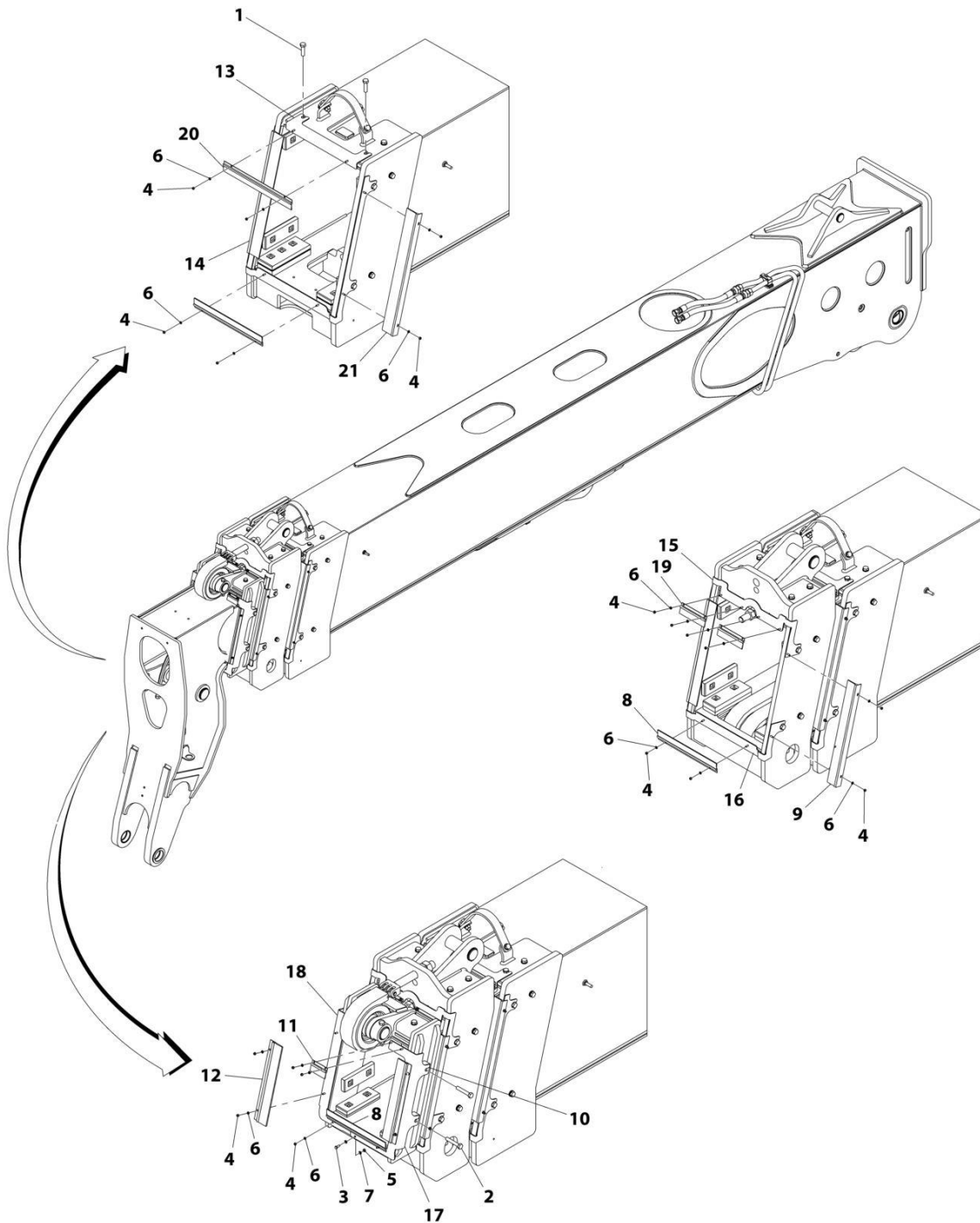


FIGURE 2-22. COMPENSATION CYLINDER PIN INSTALLATION

ITEM	PART NUMBER	QTY	DESCRIPTION	REV
	1001167011	Ref	Compensation Cylinder Installation	C
1	0711229	1	Bolt, M12X120 Grade 10.9	
2	1001091951	1	Bolt, M16X180 Grade 10.9	
3	2160016	2	Fitting, Grease	
4	3291205	1	Nut, Lock M12X1.75	
5	3291605	1	Nut, Lock M16X2	
6	1001159605	1	Pin	
7	1001164889	1	Pin	
8	4812300	2	Washer, M16	
9	4812100	2	Washer, M12	

# SECTION 2 - BOOM

## FIGURE 2-23. BOOM BRUSHES INSTALLATION



ART\_1001160914-C

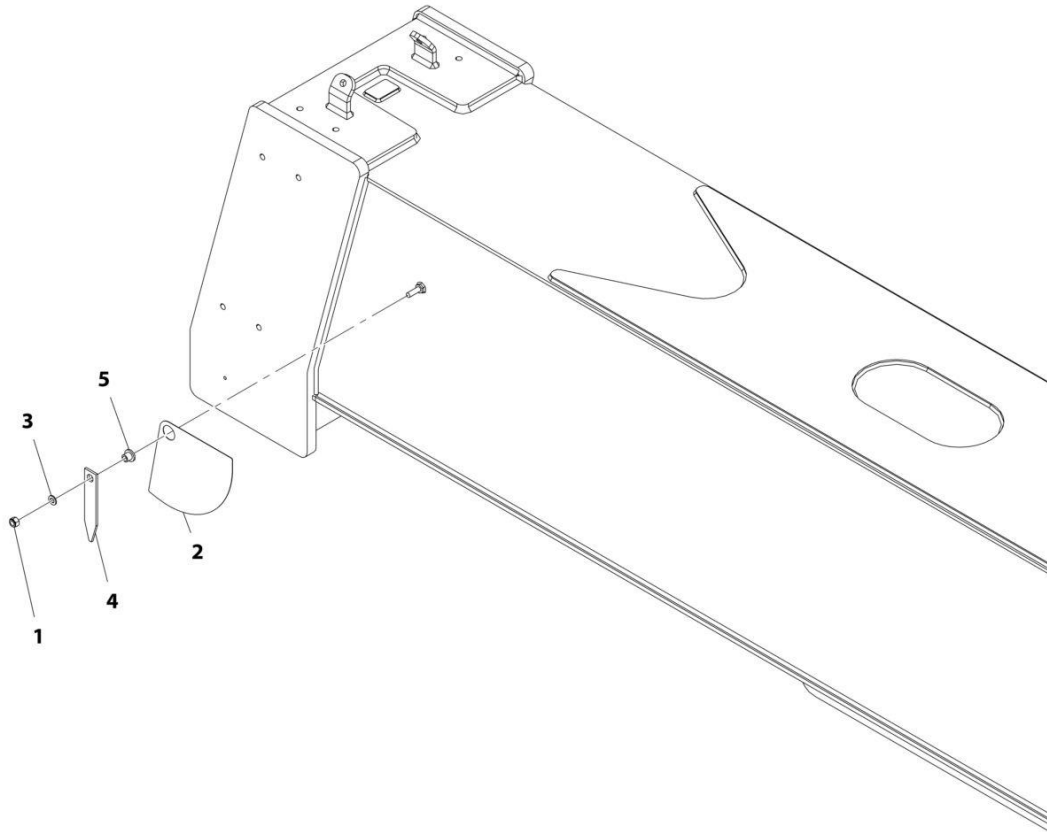
## SECTION 2 - BOOM

**FIGURE 2-23. BOOM BRUSHES INSTALLATION**

ITEM	PART NUMBER	QTY	DESCRIPTION	REV
	1001160914	Ref	Boom Brushes Installation	C
1	0711217	2	Bolt, M12X45	
2	1001098828	4	Bolt, M12X1.75X70 Grade 10.9	
3	0760608	1	Bolt, M6X16	
4	3290505	28	Nut, Lock M5X0.8 Grade 8	
5	3290601	1	Nut, M6X1 Grade 8	
6	4811600	28	Washer, M5	
7	4811700	2	Washer, M6	
8	1001172997	2	Brush, Boom	
9	1001173000	2	Brush, Boom	
10	1001173576	4	Plate, Spacer	
11	1001173678	2	Brush, Boom	
12	1001173679	2	Brush, Boom	
13	1001173688	1	Bracket, Boom Brush	
14	1001173689	1	Bracket, Boom Brush	
15	1001173690	1	Bracket, Boom Brush	
16	1001173691	1	Bracket, Boom Brush	
17	1001173692	1	Bracket, Boom Brush	
18	1001173693	1	Bracket, Boom Brush	
19	1001173728	2	Brush, Boom	
20	1001173739	2	Brush, Boom	
21	1001173740	2	Brush, Boom	

# SECTION 2 - BOOM

## FIGURE 2-24. BOOM ANGLE INDICATOR INSTALLATION



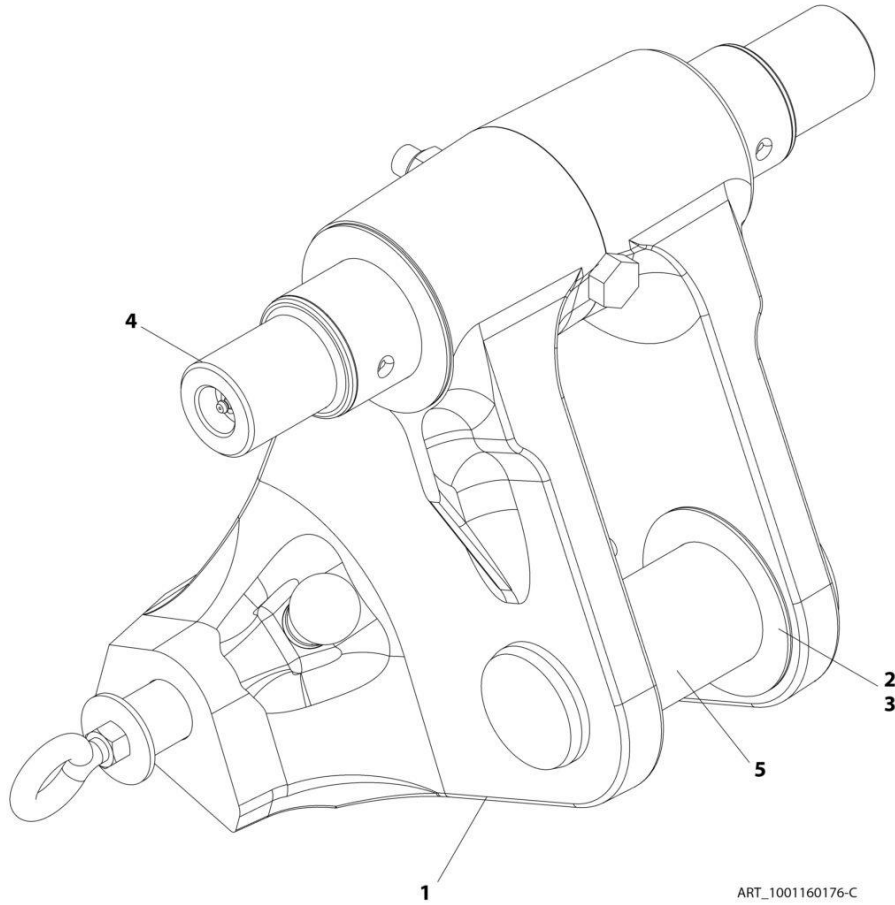
ART\_1001167806-B

**FIGURE 2-24. BOOM ANGLE INDICATOR INSTALLATION**

ITEM	PART NUMBER	QTY	DESCRIPTION	REV
	1001167806	Ref	Boom Angle Indicator Installation	B
1	3291005	1	Nut, Lock M10X1.5 Grade 8	
2	4105262	1	Decal, Boom Angle Indicator	
3	4812000	1	Washer, M10	
4	1001098769	1	Plate	
5	1001171808	1	Spacer	

# SECTION 2 - BOOM

## FIGURE 2-25. MANUAL QUICK COUPLER INSTALLATION



**FIGURE 2-25. MANUAL QUICK COUPLER INSTALLATION**

ITEM	PART NUMBER	QTY	DESCRIPTION	REV
	1001160176	Ref	Manual Quick Coupler Installation	C
1	1001164571	1	Coupling, Quick Connect, (See Separate Breakdown in this Section)	
2	1001164884	AR	Shim, 2mm	
3	1001164885	AR	Shim, 3.5mm	
4	1001167761	1	Installation, Pin (See Separate Breakdown in this Section)	
5	1001167762	1	Installation, Pin (See Separate Breakdown in this Section)	

# SECTION 2 - BOOM

## FIGURE 2-26. HYDRAULIC QUICK COUPLER INSTALLATION

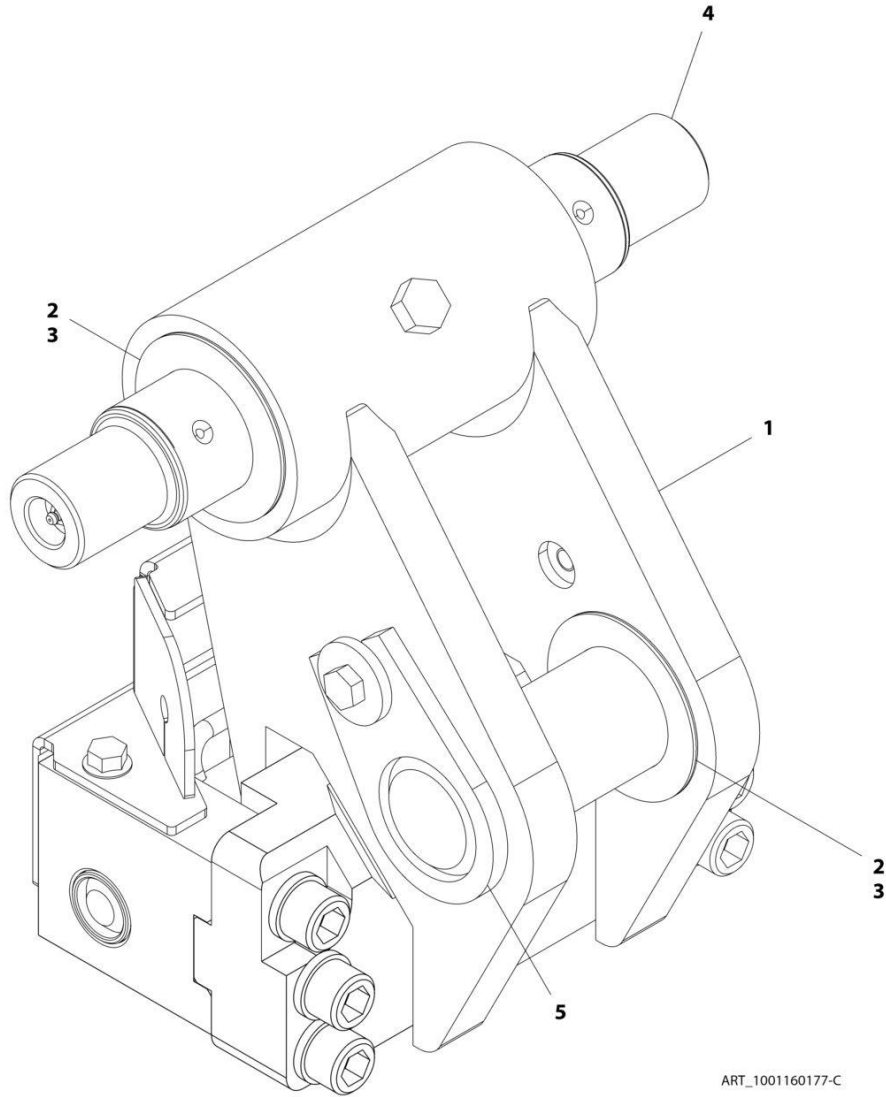


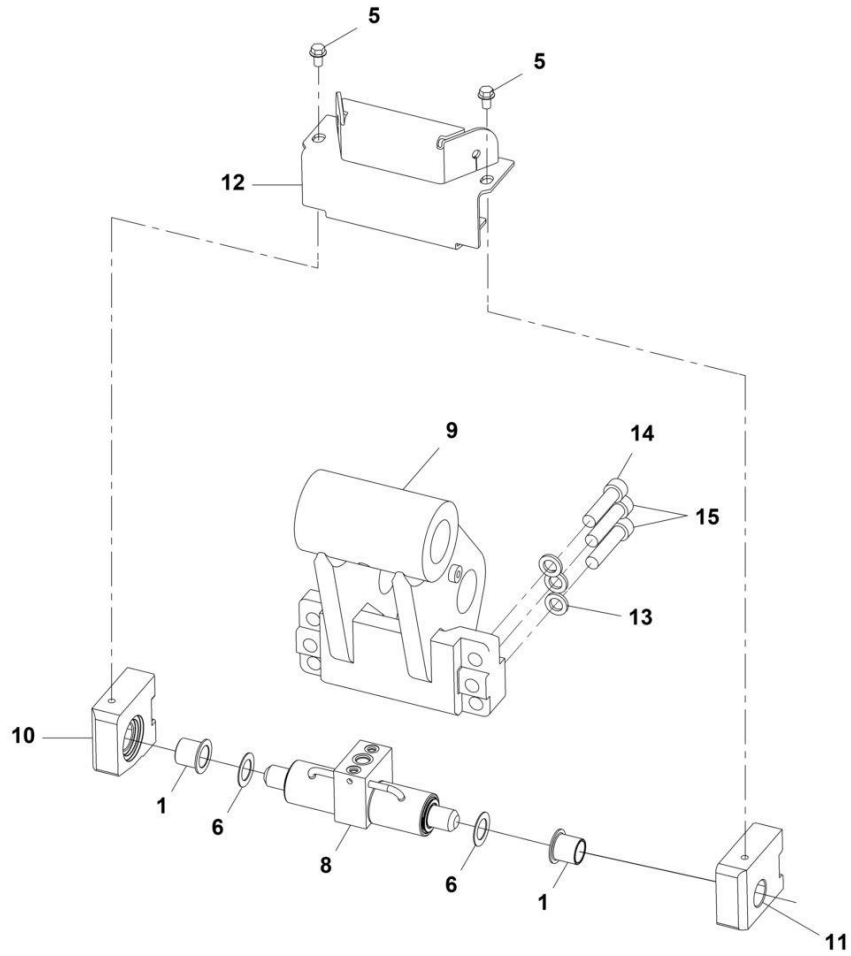


FIGURE 2-26. HYDRAULIC QUICK COUPLER INSTALLATION

ITEM	PART NUMBER	QTY	DESCRIPTION	REV
	1001160177	Ref	Hydraulic Quick Coupler Installation	C
1	1001164845	1	Installation, Hydraulic Quick Coupler (See Separate Breakdown in this Section)	
2	1001164884	AR	Shim, 2mm	
3	1001164885	AR	Shim, 3.5mm	
4	1001167761	1	Installation, Pin (See Separate Breakdown in this Section)	
5	1001167762	1	Installation, Pin (See Separate Breakdown in this Section)	

# SECTION 2 - BOOM

## FIGURE 2-27. HYDRAULIC QUICK COUPLER INSTALLATION



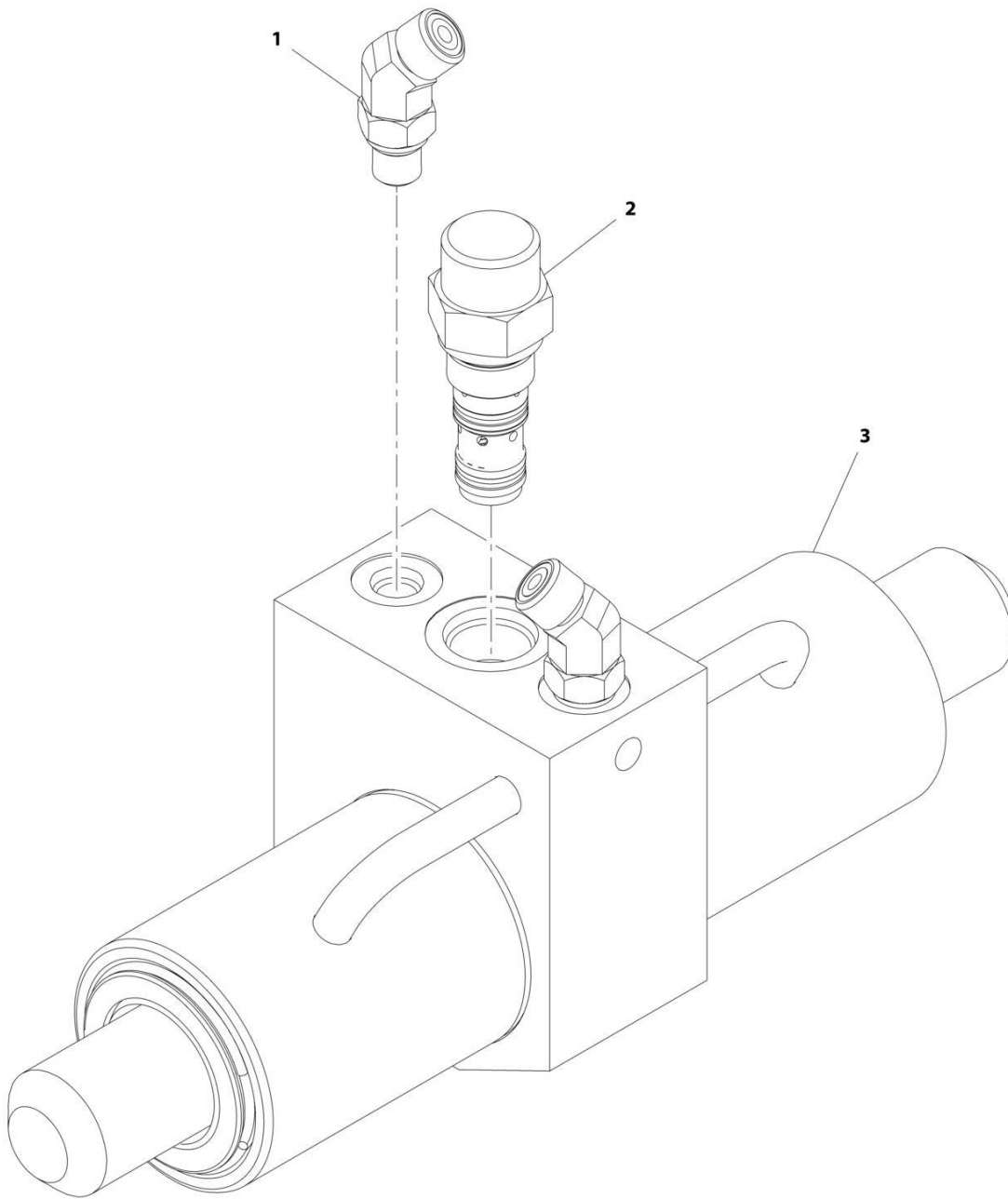
ART\_1001164845-D

**FIGURE 2-27. HYDRAULIC QUICK COUPLER INSTALLATION**

ITEM	PART NUMBER	QTY	DESCRIPTION	REV
	1001164845	Ref	Hydraulic Quick Coupler Assembly	D
1	1001263046	2	Bearing, Flange	
5	5201210	2	Bolt, Ripp M12X20	
6	91561240	AR	Shim	
8	1001197151	1	Assembly, Quick Coupler Cylinder (See Separate Breakdown in this Section)	
9	1001164846	1	Adapter, Hydraulic Quick Coupler	
10	1001164858	1	Plate	
11	1001164859	1	Plate	
12	1001164860	1	Cover	
13	1001171991	6	Washer, M20	
14	1001172153	2	Screw, M20X1.5X80	
15	1001172154	4	Screw, M20X1.5X90	

## SECTION 2 - BOOM

FIGURE 2-28. QUICK COUPLING CYLINDER & FITTING ASSEMBLY



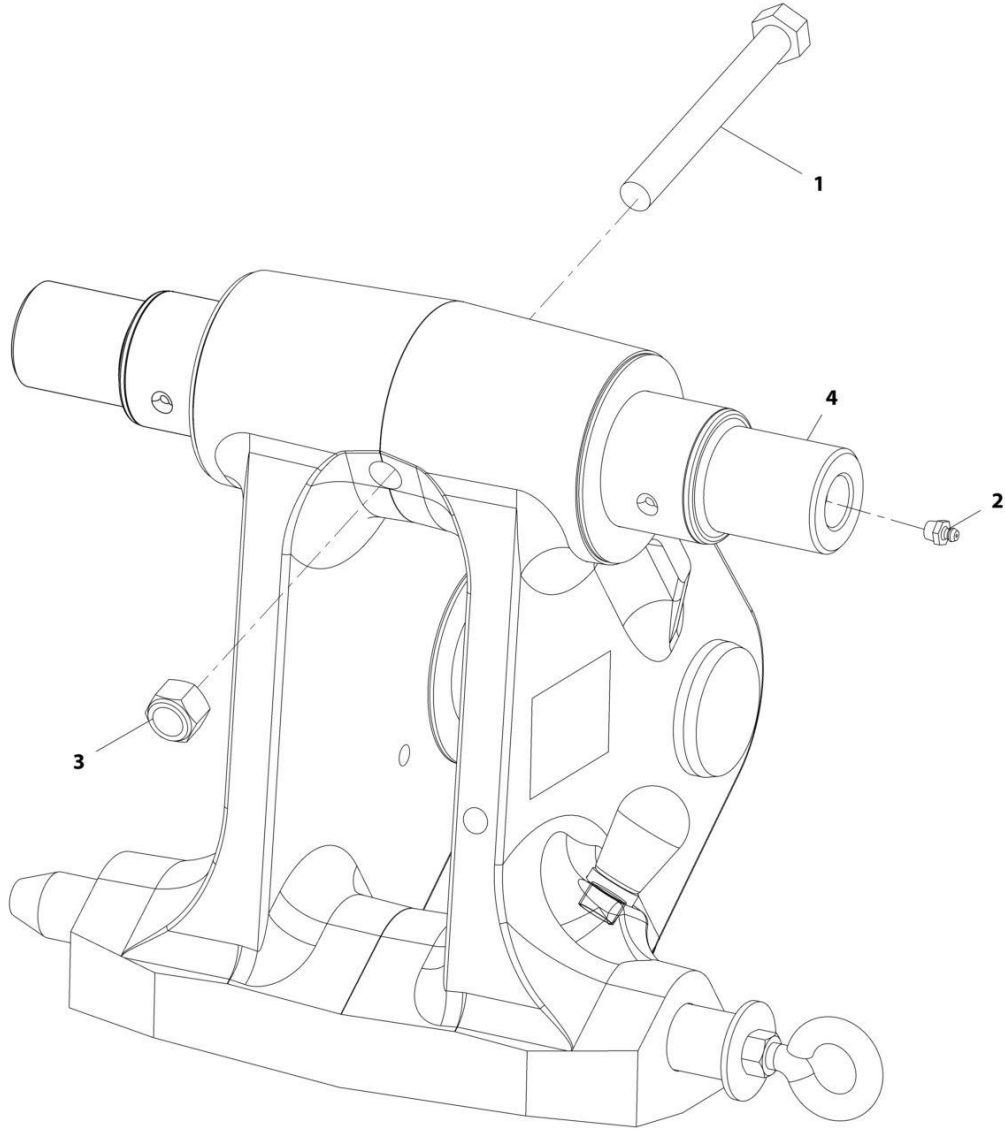
ART\_1001197151-B

FIGURE 2-28. QUICK COUPLING CYLINDER &amp; FITTING ASSEMBLY

ITEM	PART NUMBER	QTY	DESCRIPTION	REV
	1001197151	Ref	Quick Coupler Cylinder Assembly	B
1	2150404	2	Fitting, 45 ORFS	
2	1001007056	1	Valve, Check	
3	1001120163	1	Cylinder, Quick Coupler (See HYDRAULIC COMPONENTS SECTION for Breakdown)	

# SECTION 2 - BOOM

## FIGURE 2-29. COUPLING PIN INSTALLATION



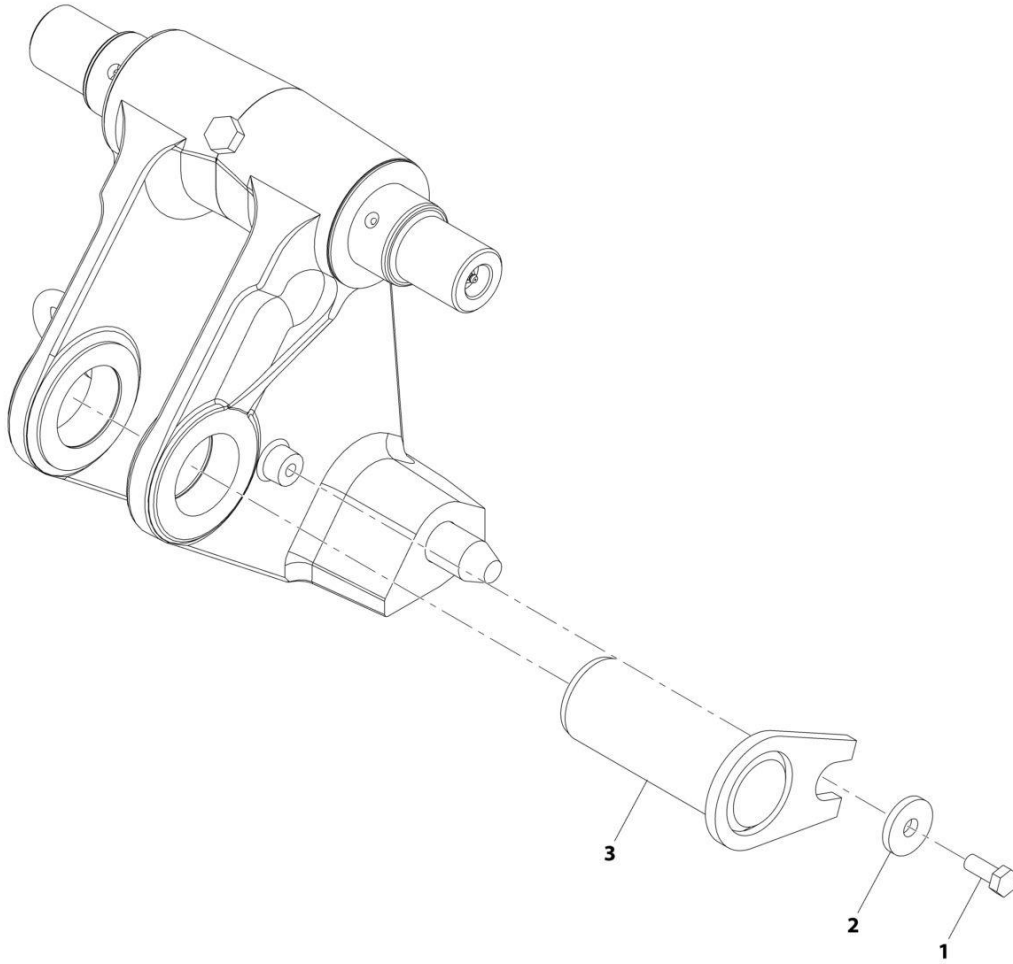
ART\_1001167761-B

FIGURE 2-29. COUPLING PIN INSTALLATION

ITEM	PART NUMBER	QTY	DESCRIPTION	REV
	1001167761	Ref	Boom Pin Installation	B
1	0711631	1	Bolt, M16X140	
2	2160016	2	Fitting, Straight	
3	3291605	1	Nut, Lock M16X2	
4	1001164871	1	Pin	

# SECTION 2 - BOOM

## FIGURE 2-30. TILT CYLINDER PIN INSTALLATION



ART\_1001167762-A

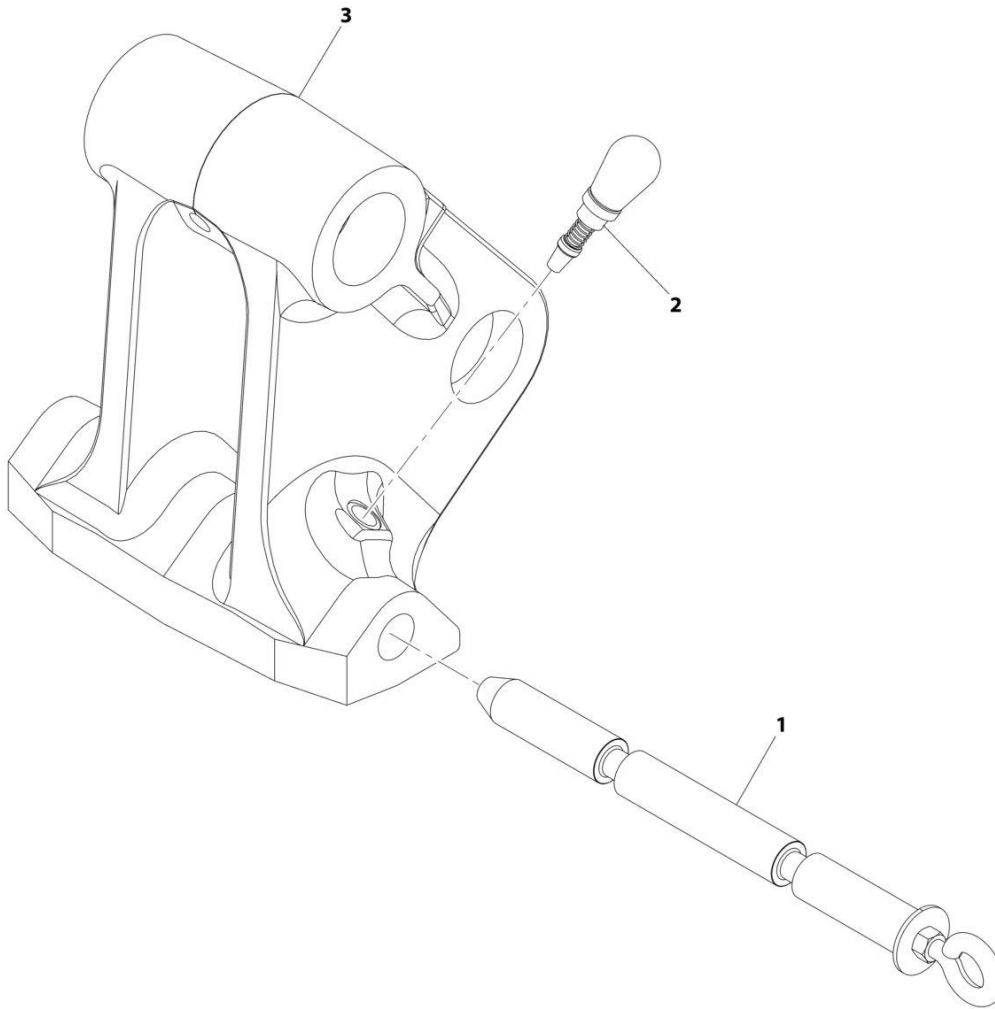


FIGURE 2-30. TILT CYLINDER PIN INSTALLATION

ITEM	PART NUMBER	QTY	DESCRIPTION	REV
	1001167762	Ref	Tilt Cylinder Pin Installation	A
1	0761214	1	Bolt, M12X30	
2	4740003	1	Washer	
3	1001164881	1	Pin	

# SECTION 2 - BOOM

## FIGURE 2-31. QUICK COUPLER ASSEMBLY



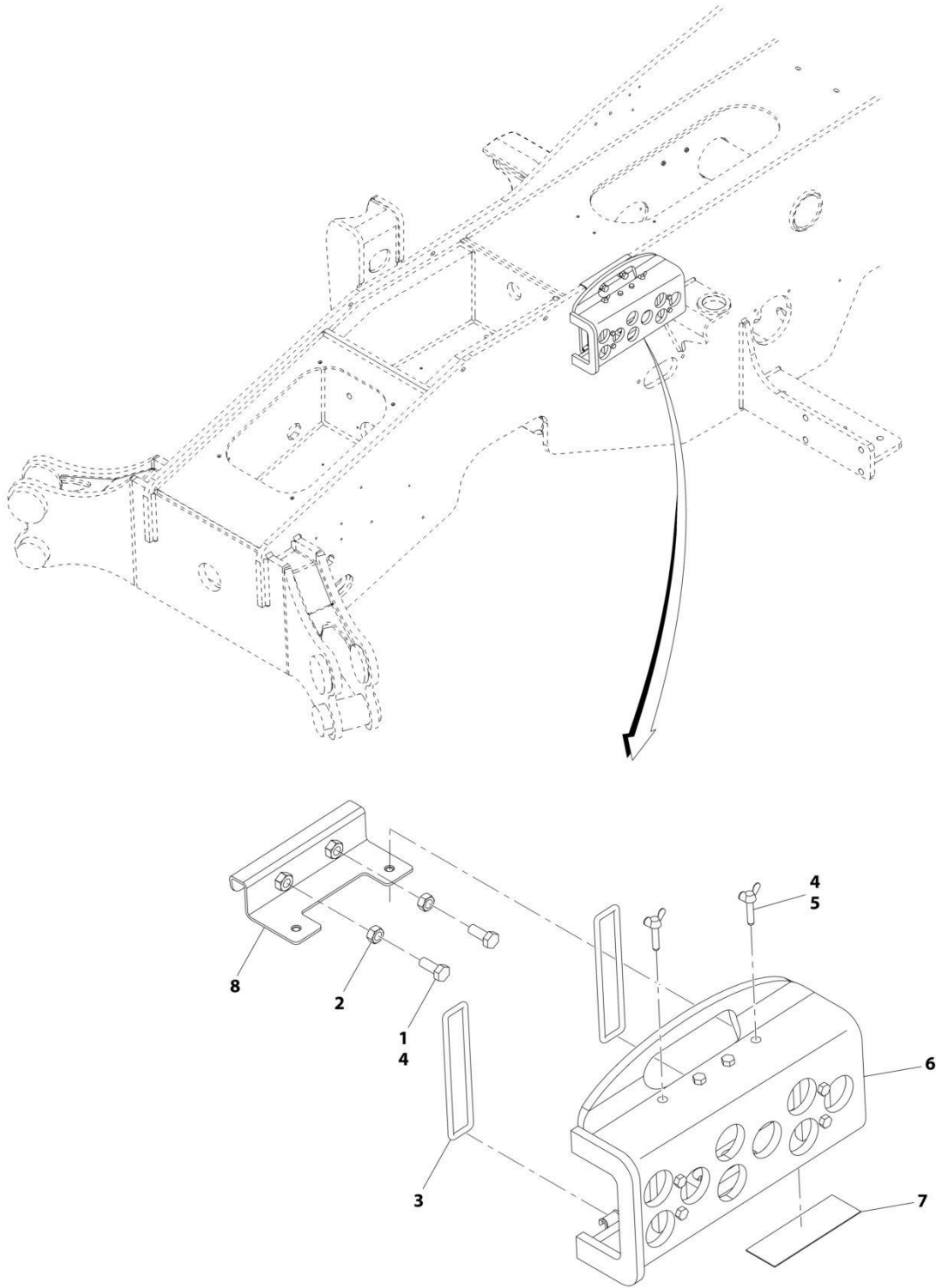
ART\_1001164571-B

FIGURE 2-31. QUICK COUPLER ASSEMBLY

ITEM	PART NUMBER	QTY	DESCRIPTION	REV
	1001164571	1	Quick Coupler Assembly	B
1	1001105441	1	Pin	
2	1001143692	1	Pin, Poppin	
3	1001164567	1	Coupling, Quick Connect	

# SECTION 2 - BOOM

## FIGURE 2-32. BOOM PROP INSTALLATION (ANSI)



ART\_1001232339-A

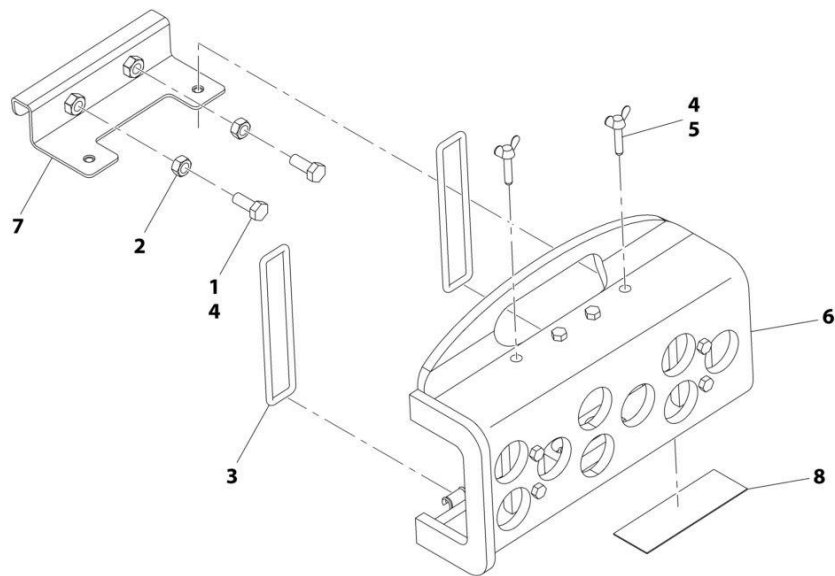
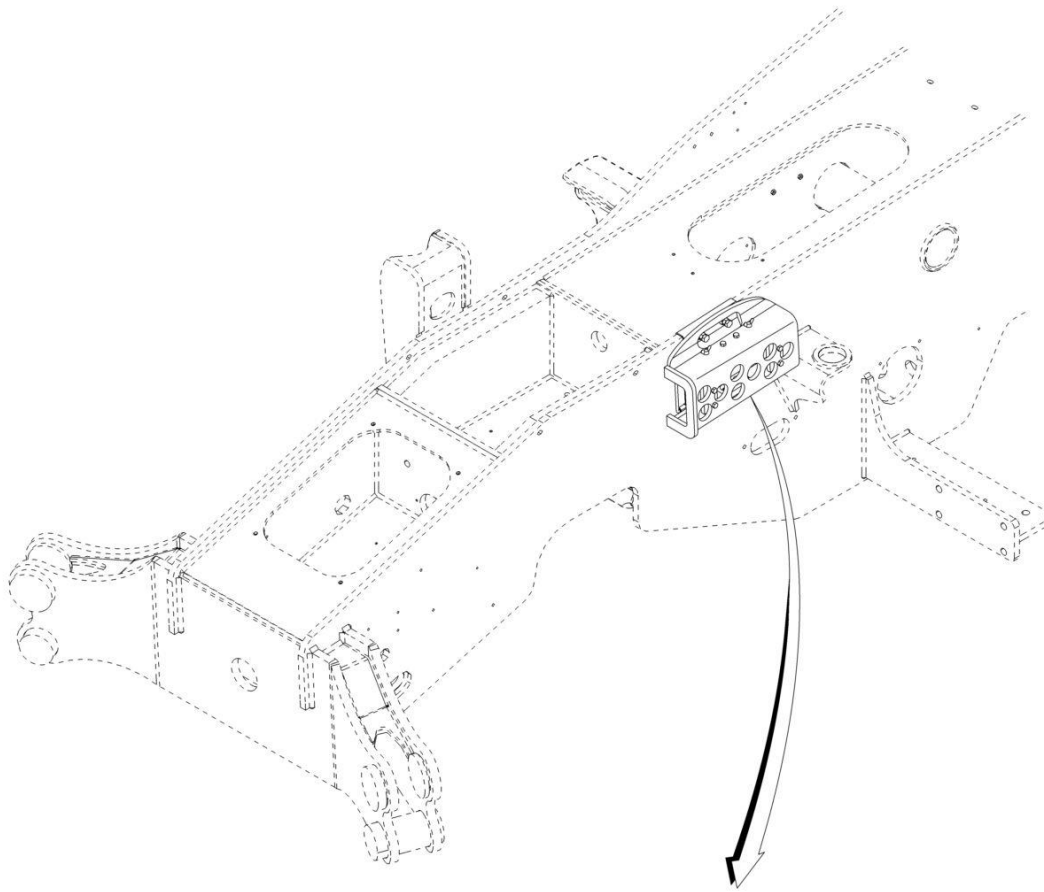
## SECTION 2 - BOOM

### FIGURE 2-32. BOOM PROP INSTALLATION (ANSI)

ITEM	PART NUMBER	QTY	DESCRIPTION	REV
	1001232339	Ref	Boom Prop Installation (ANSI)	A
1	0761214	2	Bolt, 12 X 30, GR8.8	
2	3291201	2	Nut, M12X1.75	
3	1784861	2	O-Ring	
4	1001095650	AR	Compound, Locking	
5	1001101458	2	Bolt, M8X40	
6	1001231221	1	Bracket, Boom Prop Class D (See Separate Breakdown in this Section)	
7	1001232148	1	Decal, Warning	
8	1001232299	1	Bracket, Mount	

# SECTION 2 - BOOM

## FIGURE 2-33. BOOM PROP INSTALLATION (CANADA)



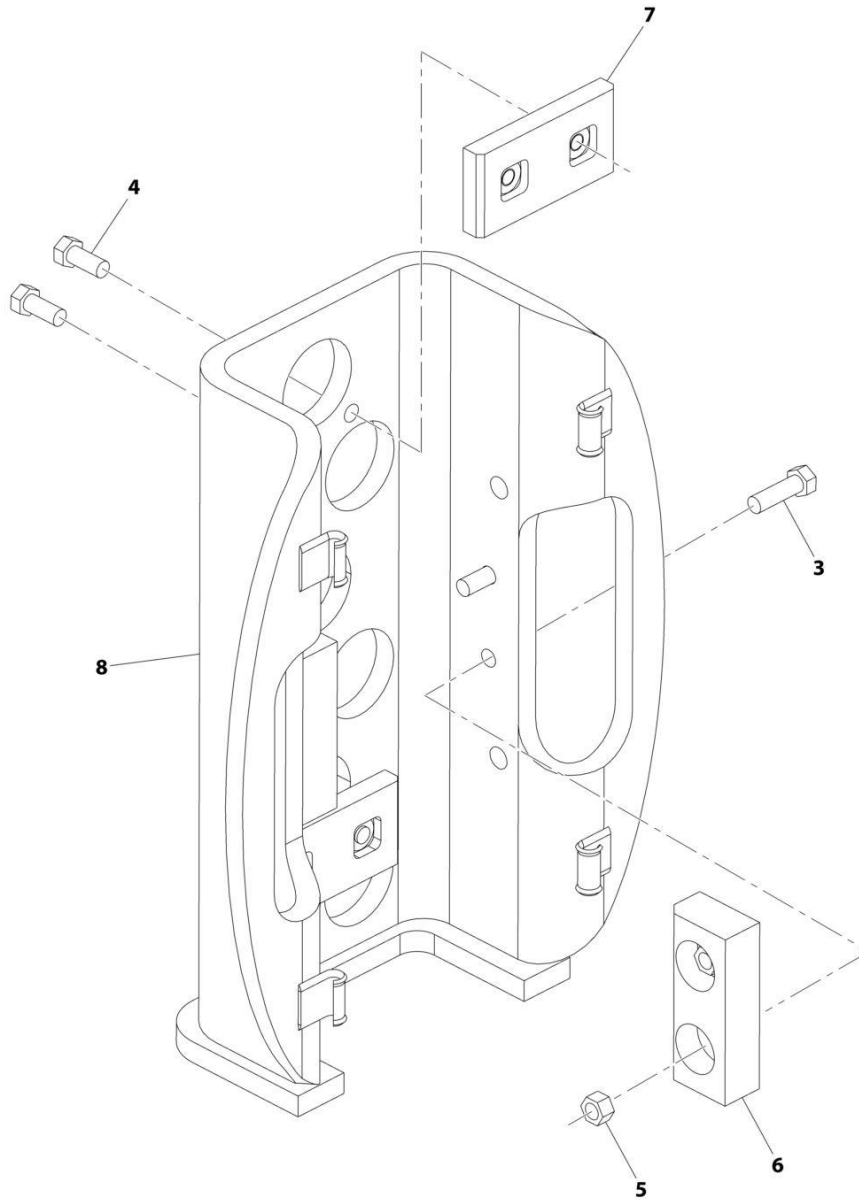
ART\_1001234137-A

FIGURE 2-33. BOOM PROP INSTALLATION (CANADA)

ITEM	PART NUMBER	QTY	DESCRIPTION	REV
	1001234137	Ref	Boom Prop Installation (Canada)	A
1	0761214	2	Bolt, 12 X 30, GR8.8	
2	3291201	2	Nut, M12X1.75	
3	1784861	2	O-Ring	
4	1001095650	AR	Compound, Locking	
5	1001101458	2	Bolt, M8X40	
6	1001231221	1	Bracket, Boom Prop Class D (See Separate Breakdown in this Section)	
7	1001232299	1	Bracket, Mount	
8	1001234254	1	Decal, Warning	

# SECTION 2 - BOOM

## FIGURE 2-34. BOOM PROP BRACKET



ART\_1001231221-A



FIGURE 2-34. BOOM PROP BRACKET

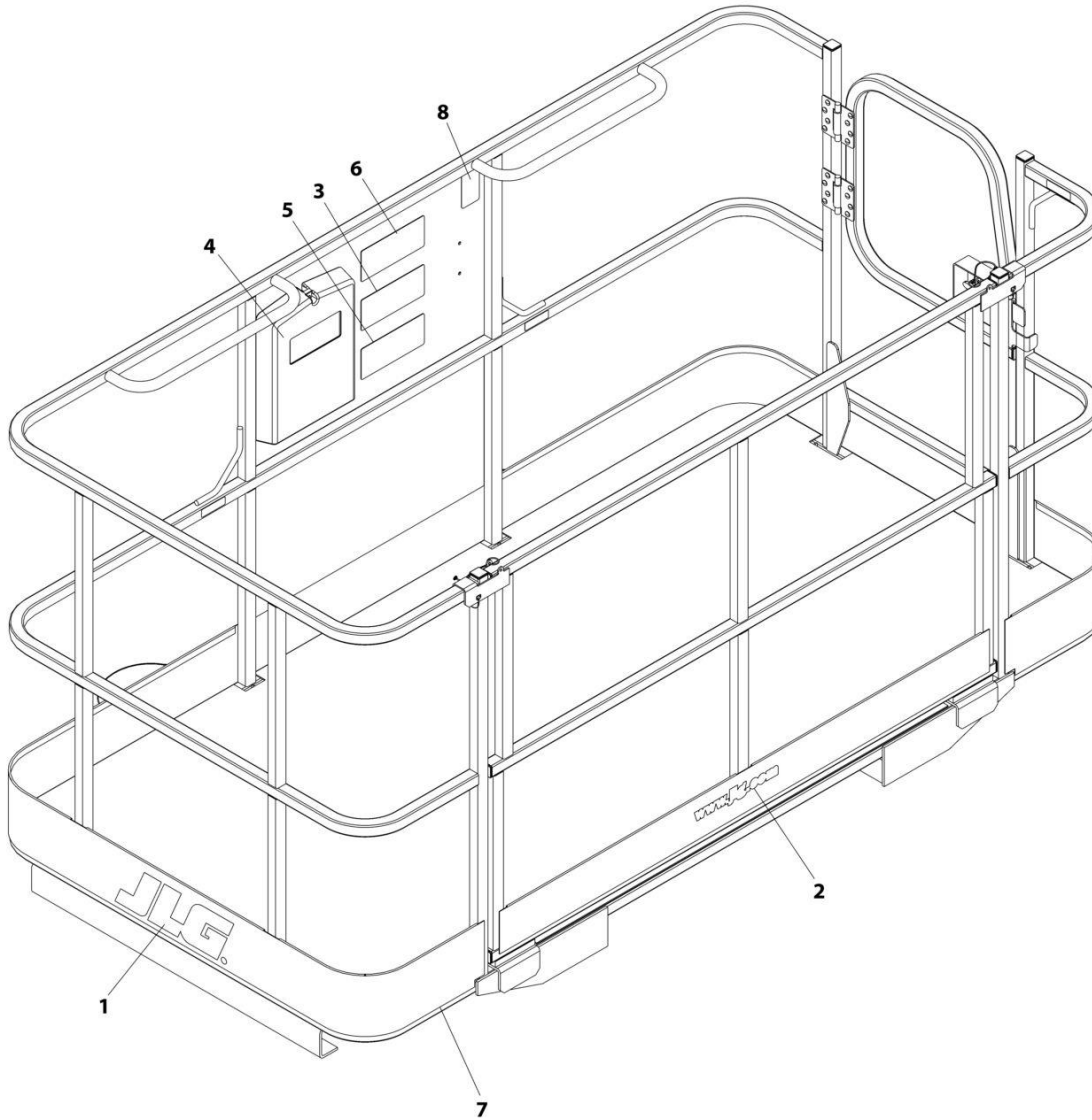
ITEM	PART NUMBER	QTY	DESCRIPTION	REV
	1001231221	Ref	Boom Prop Bracket	A
3	0641610	4	Bolt, 3/8-16X5/4	
4	0651607	4	Bolt, 3/8-24X7/8	
5	3311605	4	Nut, 3/8-16	
6	3340843	2	Pad, Wear	
7	91403530	2	Bearing, Pad	
8	1001232587	1	Bracket	



**SECTION 3 - ATTACHMENTS**

# SECTION 3 - ATTACHMENTS

## FIGURE 3-1. BASKET, PERSONNEL (ENGLISH DECALS)



ART\_1001238653-A

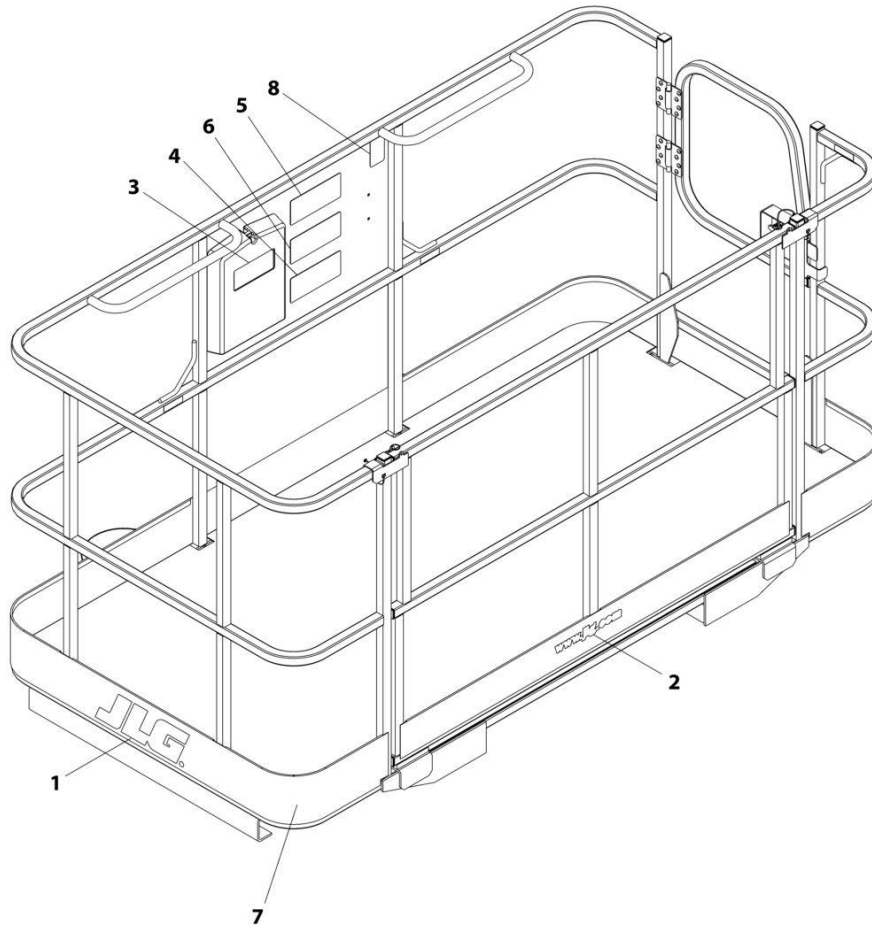
## SECTION 3 - ATTACHMENTS

**FIGURE 3-1. BASKET, PERSONNEL (ENGLISH DECALS)**

ITEM	PART NUMBER	QTY	DESCRIPTION	REV
	1001238653	Ref	FORK MOUNTED PLATFORM	A
1	1702773	2	Decal, JLG	
2	1704885	1	Decal, Website	
3	1706892	1	Decal, Platform Warning	
4	31200160	1	Manual, Personnel Work Platform Operation and Safety	
5	1001092481	1	Decal, Warning Attachment	
6	1001092482	1	Decal, Platform Capacity	
7	1001238565	1	Platform, Fork Mounted (See Separate Breakdown in this Section)	
8	See Note	NSS	SN Plate (Note: Stamped Part - Not Available for Purchase)	

# SECTION 3 - ATTACHMENTS

FIGURE 3-2. BASKET, PERSONNEL (ENGLISH/FRENCH DECALS)



ART\_1001238655-A

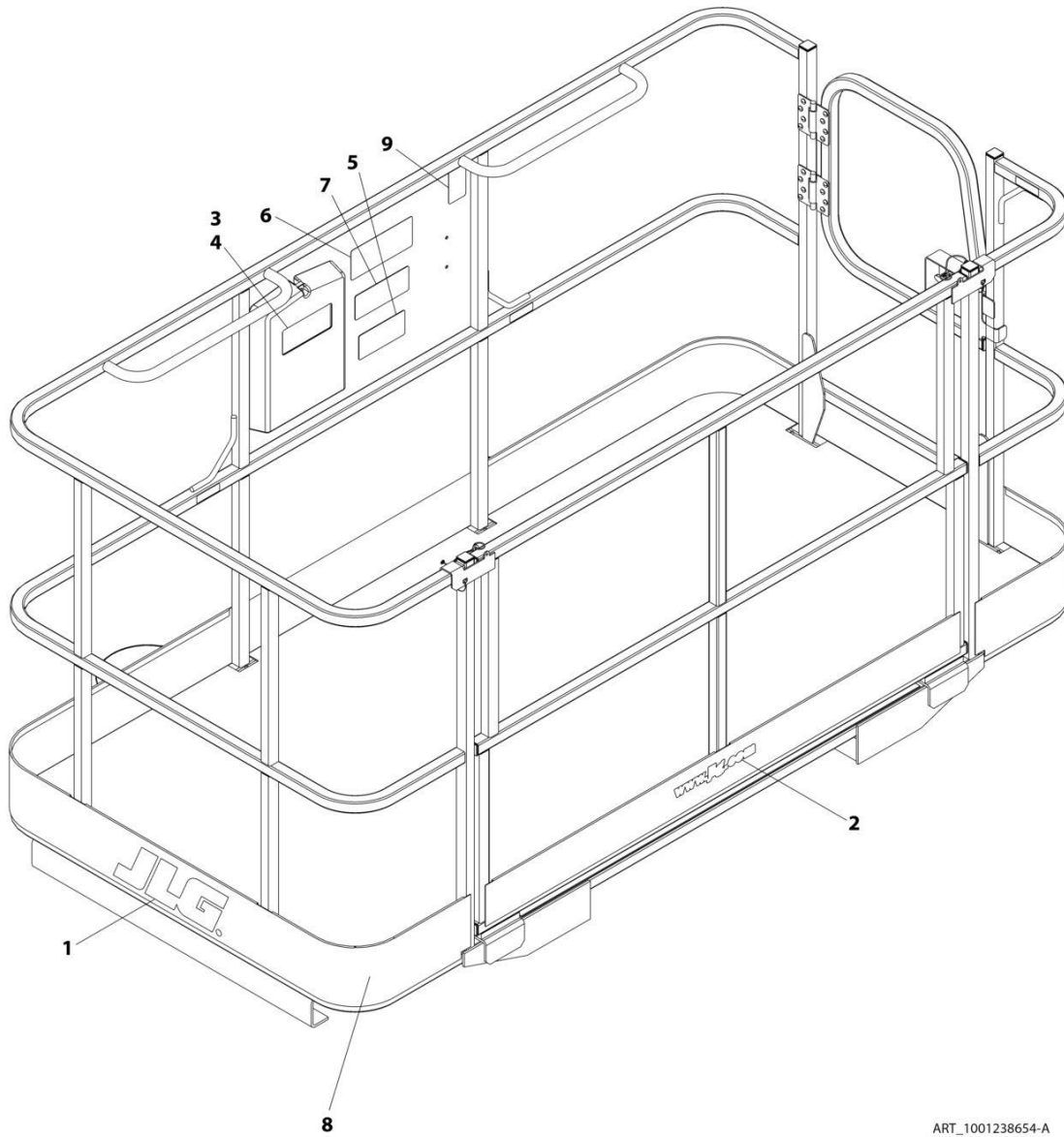
## SECTION 3 - ATTACHMENTS

**FIGURE 3-2. BASKET, PERSONNEL (ENGLISH/FRENCH DECALS)**

ITEM	PART NUMBER	QTY	DESCRIPTION	REV
	1001238655	Ref	BASKET, PERSONNEL	A
1	1702773	2	Decal, JLG	
2	1704885	1	Decal, Website	
3	31200386	1	Manual, Operation and Safety (French)	
4	1001096019	1	Decal, Warning Attachment (French)	
5	1001096020	1	Decal, Platform Capacity (French)	
6	1001096024	1	Decal, Platform Warning (French)	
7	1001238565	1	Platform, Fork Mounted (ANSI) (See Separate Breakdown in this Section)	
8	See Note	NSS	SN Plate (Note: Stamped Part - Not Available for Purchase)	

# SECTION 3 - ATTACHMENTS

## FIGURE 3-3. BASKET, PERSONNEL (ISO DECALS)



ART\_1001238654-A



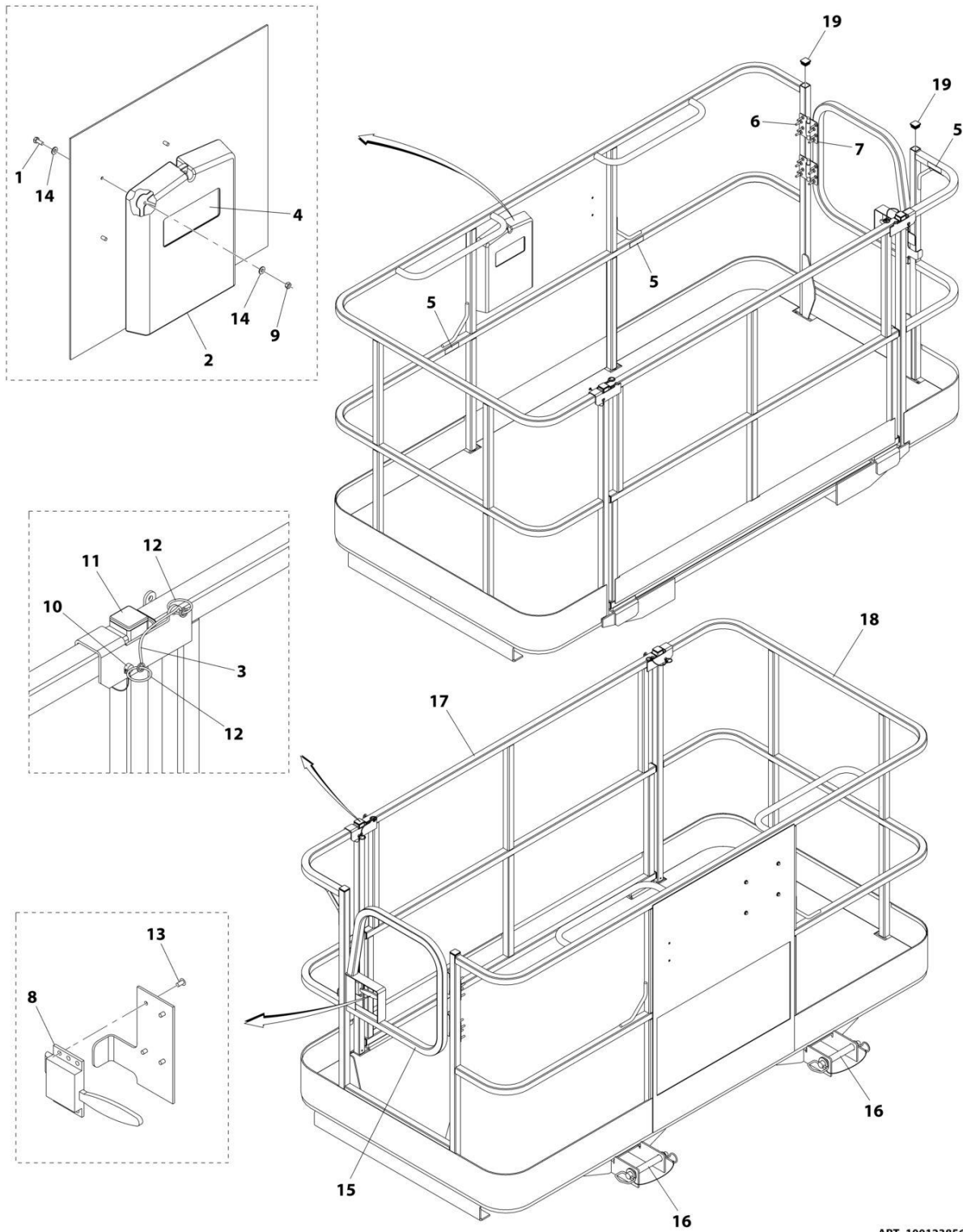
## SECTION 3 - ATTACHMENTS

**FIGURE 3-3. BASKET, PERSONNEL (ISO DECALS)**

ITEM	PART NUMBER	QTY	DESCRIPTION	REV
	1001238654	Ref	BASKET, PERSONNEL	A
1	1702773	2	Decal, JLG	
2	1704885	1	Decal, Website	
3	31200387	1	Manual, Operation and Safety, Spanish	
4	31200388	1	Manual, Operation and Safety, Portuguese	
5	1001096021	1	Decal, Warning Attachment	
6	1001096023	1	Decal, Platform Capacity	
7	1001096025	1	Decal, Platform Warning	
8	1001238565	1	Platform, Fork Mounted (ANSI) (See Separate Breakdown in this Section)	
9	See Note	NSS	SN Plate (Note: Stamped Part - Not Available for Purchase)	

# SECTION 3 - ATTACHMENTS

## FIGURE 3-4. BASKET ASSEMBLY



ART\_1001238565

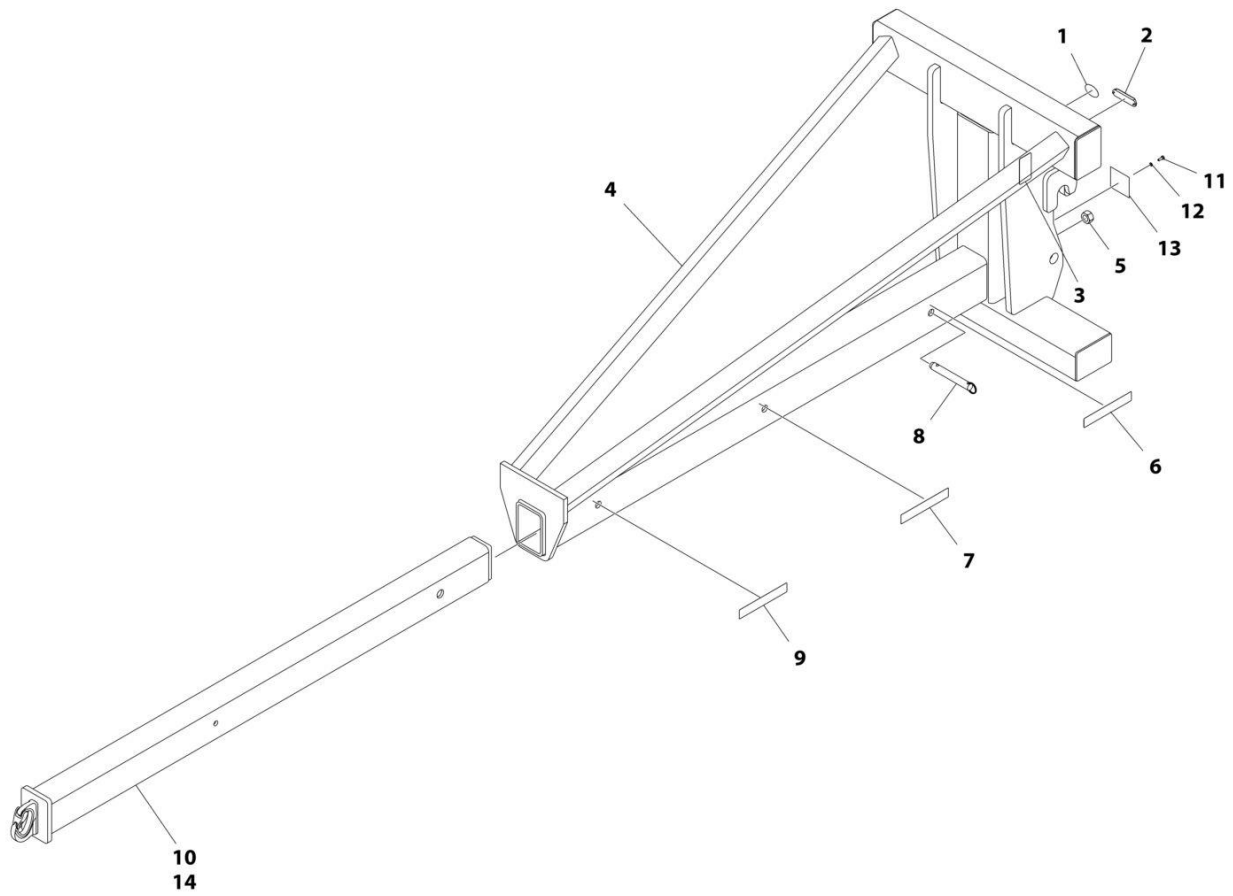
## SECTION 3 - ATTACHMENTS

### FIGURE 3-4. BASKET ASSEMBLY

ITEM	PART NUMBER	QTY	DESCRIPTION	REV
	1001238565	Ref	FORK MOUNTED PLATFORM ASSEMBLY	D
1	0641405	4	Bolt 1/4 x 5/8	
2	0860520	1	Box, Manual Storage	
3	1060379	2	Cable, Lanyard	
4	1701509	1	Decal, Manual	
5	1704277	3	Decal, Lanyard Attach	
6	2080040	16	Fastener	
7	2600281	2	Hinge	
8	2940074	1	Latch	
9	3311405	4	Nut 1/4	
10	3421453	2	Pin	
11	3520072	7	Plug	
12	3760170	4	Ring	
13	3820020	4	Rivet	
14	4711400	8	Washer 1/4	
15	1001144629J	1	Gate	
16	1001238560	2	Pin, Hitch	
17	1001095810	1	Gate	
18	See Note	NSS	Platform, Fork Mounted	
19	3520198	4	Plug	

# SECTION 3 - ATTACHMENTS

## FIGURE 3-5. BOOM - ADJUSTABLE



ART\_1001176515\_D

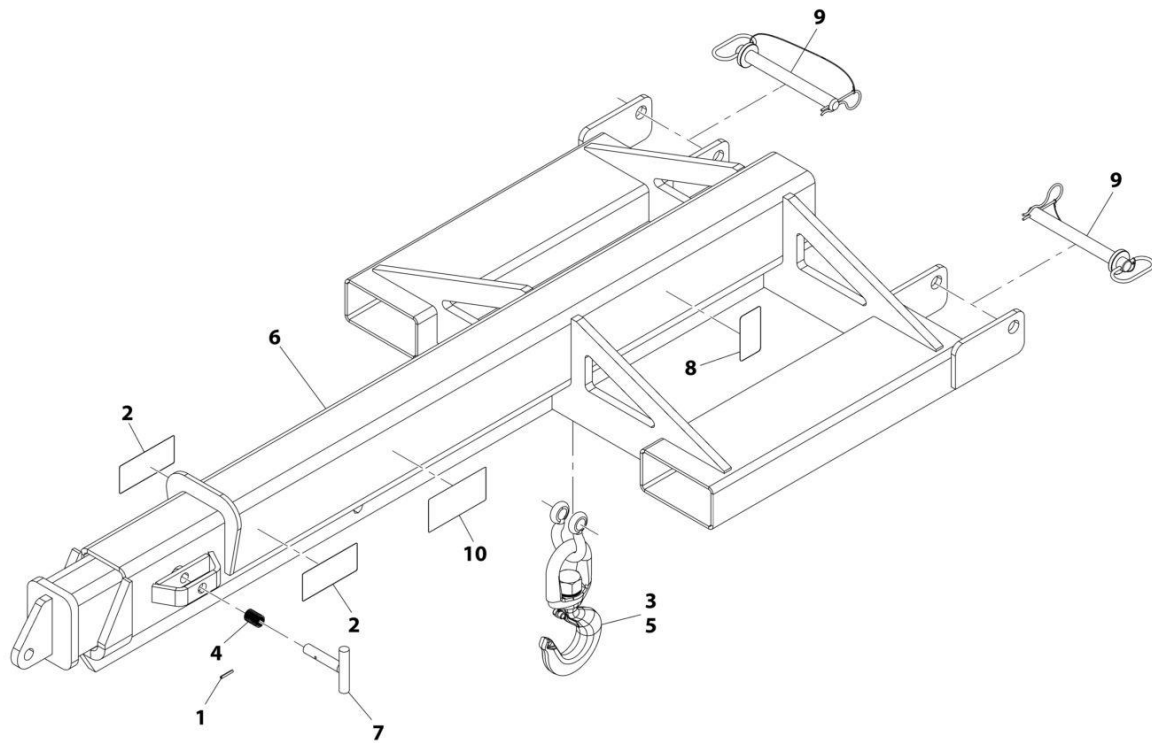
## SECTION 3 - ATTACHMENTS

### FIGURE 3-5. BOOM - ADJUSTABLE

ITEM	PART NUMBER	QTY	DESCRIPTION	REV
	1001176515	Ref	ADJUSTABLE TRUSS BOOM	D
1	90554016	1	Decal, Made in USA	
2	1001227670	1	Tag, RFID	
3	See Note	NSS	SN Plate (Note: Stamped Part - Not Available for Purchase)	
4	See Note	NSS	Truss Boom, Adjustable (Note: Purchase Complete Assembly)	
5	70021440	1	Nut, Lock	
6	70024062	2	Decal, 4000 lbs cap	
7	70026944	2	Decal, 3000 lbs cap	
8	70026946	1	Pin	
9	70026699	2	Decal, 2000 lbs cap	
10	70026747	1	Seal	
11	90554033	1	Bolt 3/4 x 1/4	
12	90554034	1	Washer 1/4	
13	70026948	1	Plate, Stop	
14	70026949	1	Boom, Telescopic	

# SECTION 3 - ATTACHMENTS

## FIGURE 3-6. BOOM - ADJUSTABLE (FORK MOUNTED)



ART\_1001230241-H

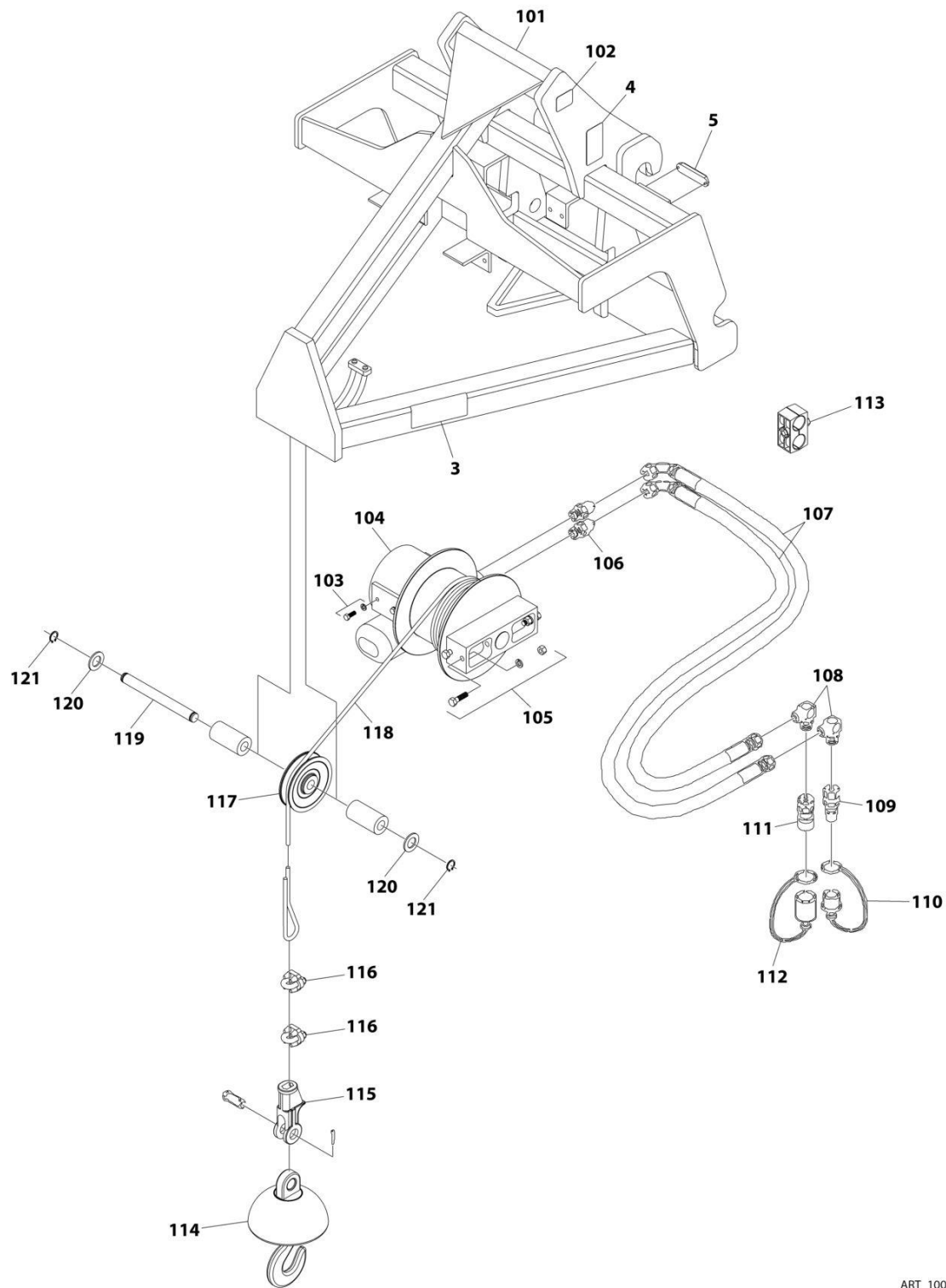
## SECTION 3 - ATTACHMENTS

**FIGURE 3-6. BOOM - ADJUSTABLE (FORK MOUNTED)**

ITEM	PART NUMBER	QTY	DESCRIPTION	REV
	1001230241	Ref	Adjustable Truss Boom Installation (Fork Mounted)	H
1	3440620	1	Pin	
2	4110422	2	Decal, Danger Swinging Loads	
3	91403448	1	Hook, Swivel	
4	1001128890	1	Spring	
5	1001146160	1	Shackle	
6	See Note	NSS	Boom, Truss - Adjustable (Note: Purchase Complete Assembly)	
7	1001230239	1	Pin	
8	See Note	NSS	SN Plate (Note:Stamped Part - Not Available for Purchase)	
9	1001231692	2	Pin	
10	1001232500	1	Decal, Load Capacities	

# SECTION 3 - ATTACHMENTS

## FIGURE 3-7. BOOM - 3FT WITH WINCH



ART\_1001100967\_G



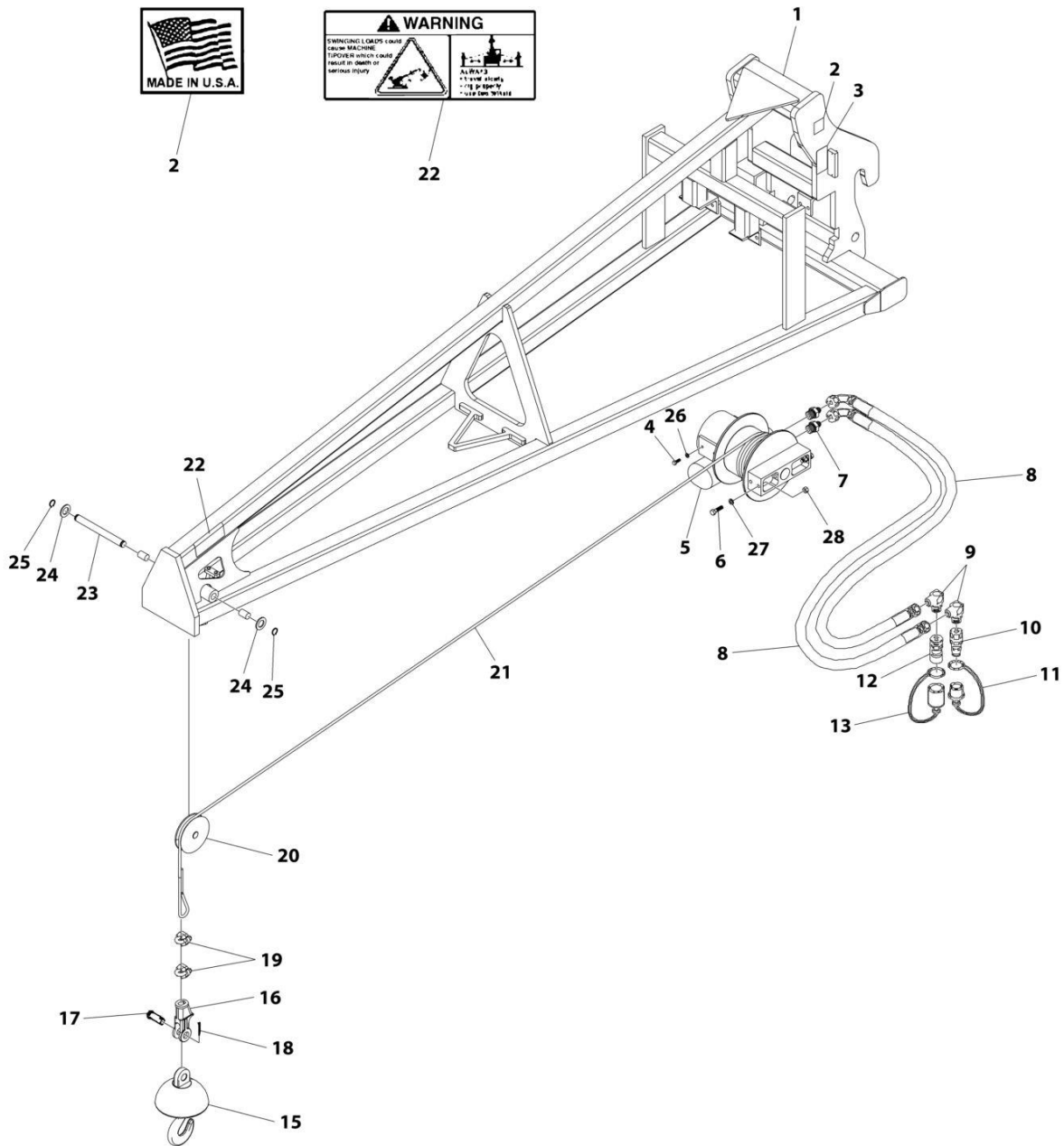
## SECTION 3 - ATTACHMENTS

### FIGURE 3-7. BOOM - 3FT WITH WINCH

ITEM	PART NUMBER	QTY	DESCRIPTION	REV
	1001100967	Ref	TRUSS BOOM ASSEMBLY (3 FOOT WITH WINCH) (INCLUDES ITEMS 3, 4, 5 & 101 THRU 121)	G
3	4110422	2	Decal, Danger, Swinging Loads	
4	See Note	NSS	S/N Plate (Note: Stamped Part - Not Available for Purchase)	
5	1001227670	1	Tag, RFID	
101	See Note	NSS	Truss Boom Frame (Note: Purchase Complete Assembly)	
102	90554016	1	Decal	
103	70021349	4	Bolt	
103	90554042	4	Washer	
104	70021921	1	Winch, Truss Boom	
105	70024059	4	Bolt	
105	90554054	4	Nut	
105	90554020	4	Washer	
106	70021415	2	Fitting	
107	70021977	2	Hose	
108	70022527	2	Fitting, 90	
109	91403414	1	Fitting, Straight	
110	8420053	1	Cap	
111	91403413	1	Fitting, Straight	
112	8420055	1	Plug	
113	70021387	1	Clamp	
114	70021978	1	Ball Swivel Safety Hook	
115	70021979	1	Assembly, Socket	
116	70022528	2	Clamp	
117	70021935	1	Pulley	
118	70022028	1	Cable	
119	70022529	1	Pin	
120	70027009	2	Washer	
121	70026698	2	Ring, Snap	

# SECTION 3 - ATTACHMENTS

## FIGURE 3-8. BOOM - 12FT WITH WINCH



ART\_1001099351

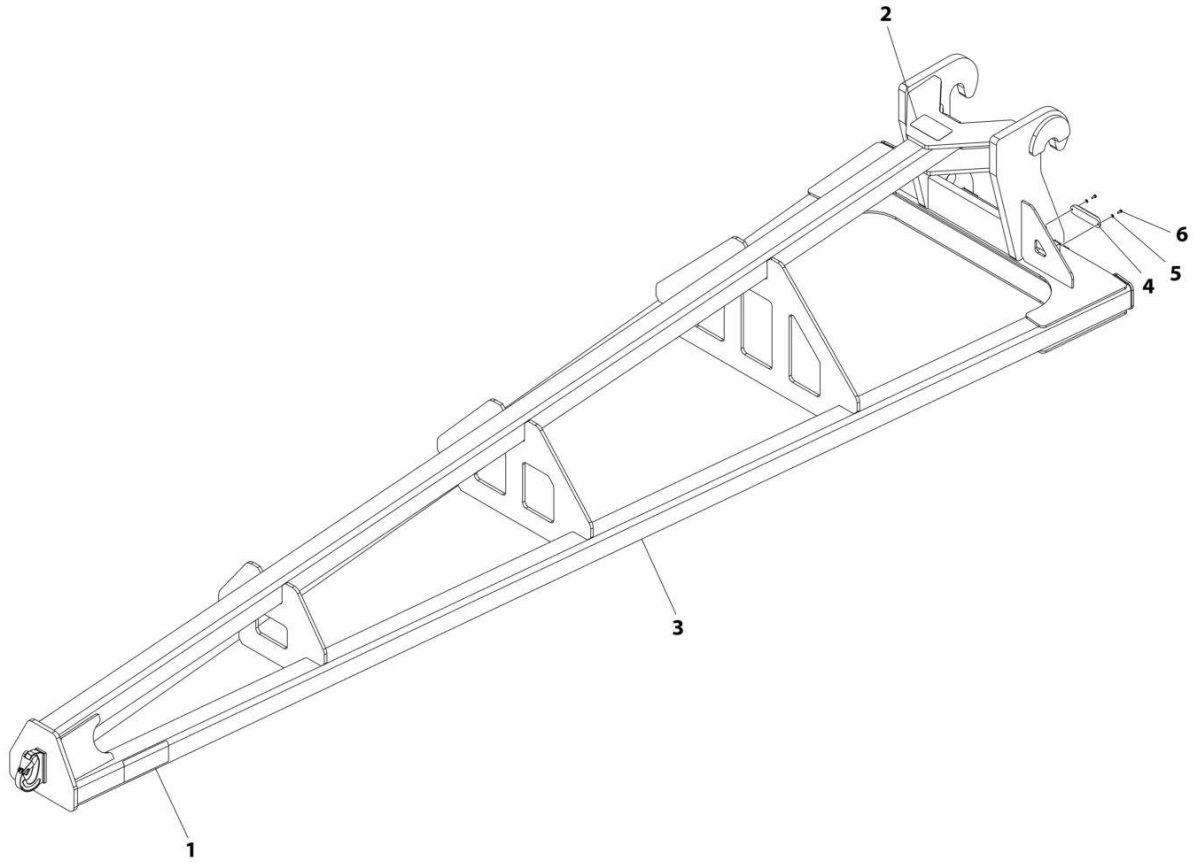
## SECTION 3 - ATTACHMENTS

### FIGURE 3-8. BOOM - 12FT WITH WINCH

ITEM	PART NUMBER	QTY	DESCRIPTION	REV
	1001099351	Ref	TRUSS BOOM (0.9 TON - 3.7M WITH WINCH)	L
1	See Note	NSS	Frame, Truss Boom (Note: Purchase Complete Assembly)	
2	90554016	1	Decal, Made in USA	
	See Note	NSS	S/N Plate (Note: Stamped Part - Not Available for Purchase)	
4	70021349	4	Bolt 3/8 x 1	
5	70021921	1	Motor, Truss Boom Winch	
6	70024059	2	Bolt 1/2 x 1-3/4	
7	70021415	2	Connector	
8	70021977	2	Hose	
9	70022527	2	Fitting, 90	
10	7029692	1	Fitting, Straight	
11	90554062	1	Cap, Dust	
12	70021342	1	Fitting, Straight	
13	90554076	1	Cap, Dust	
15	70021978	1	Ball Swivel with Safety Hook	
16	70021979	1	Assembly, Socket (includes items 17 thru 18)	
17	See Note	NSS	Pin (Note: Use Item 16)	
18	See Note	NSS	Pin, Cotter (Note: Use Item 16)	
19	70022528	2	Clamp	
20	70021935	1	Pulley	
21	70022028	1	Cable	
22	4110422	2	Decal, Warning Swinging Loads	
23	70022529	1	Pin	
24	70024060	2	Washer	
25	70026698	2	Ring, Snap	
26	90554042	4	Washer 3/8	
27	90554020	2	Washer 1/2	
28	90554054	2	Nut 1/2	

# SECTION 3 - ATTACHMENTS

## FIGURE 3-9. BOOM - 12FT WITHOUT WINCH



ART\_1001099902\_G

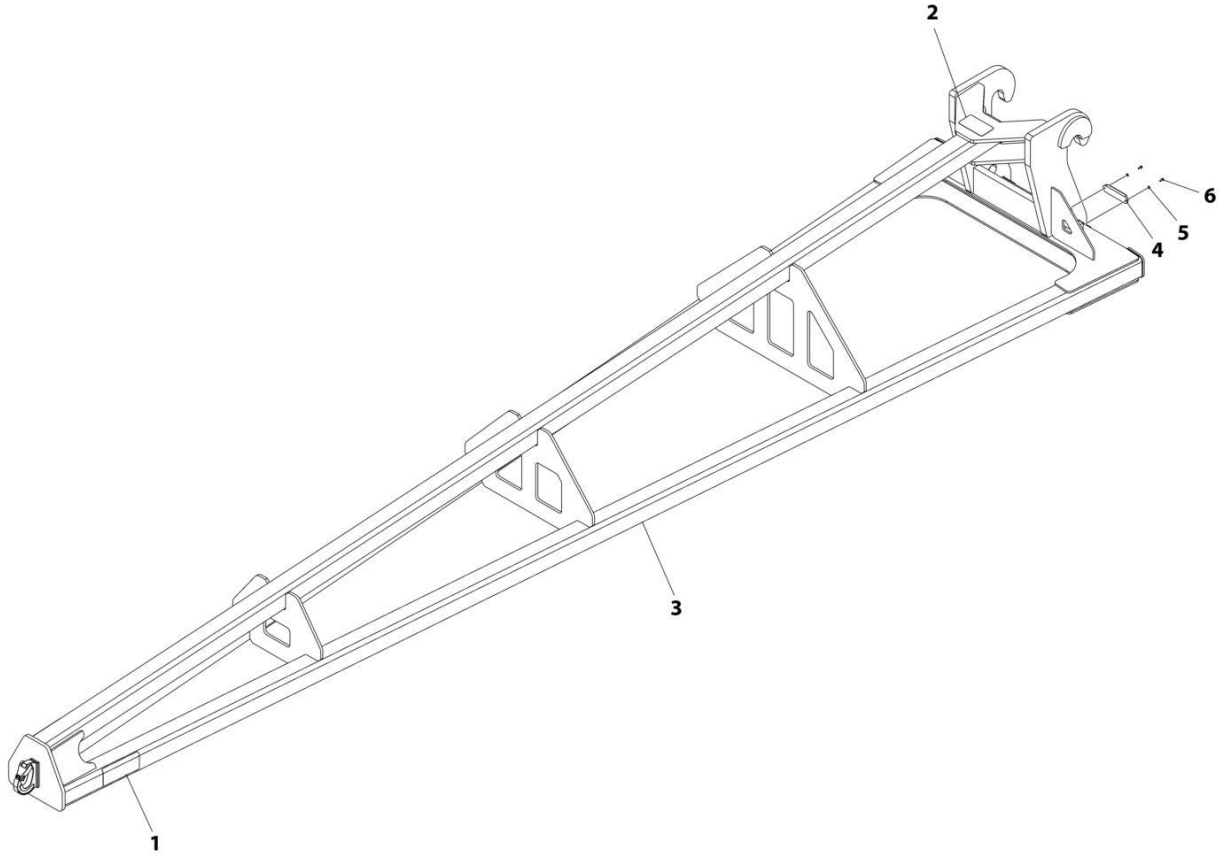
## SECTION 3 - ATTACHMENTS

### FIGURE 3-9. BOOM - 12FT WITHOUT WINCH

ITEM	PART NUMBER	QTY	DESCRIPTION	REV
	1001099902	Ref	TRUSS BOOM (0.9 TON - 3.7M)	G
1	4110422	2	Decal, Danger Swinging Loads	
2	See Note	NSS	SN Plate (Note:Stamped Part - Not Available for Purchase)	
3	See Note	NSS	Boom, Truss (Note: Purchase Complete Assembly)	
4	1001227670	1	Tag, RFID	
5	4811400	2	Washer M4	
6	0760405	2	Bolt M4 x 10	

# SECTION 3 - ATTACHMENTS

FIGURE 3-10. BOOM - 15FT WITHOUT WINCH



ART\_1001099901\_G

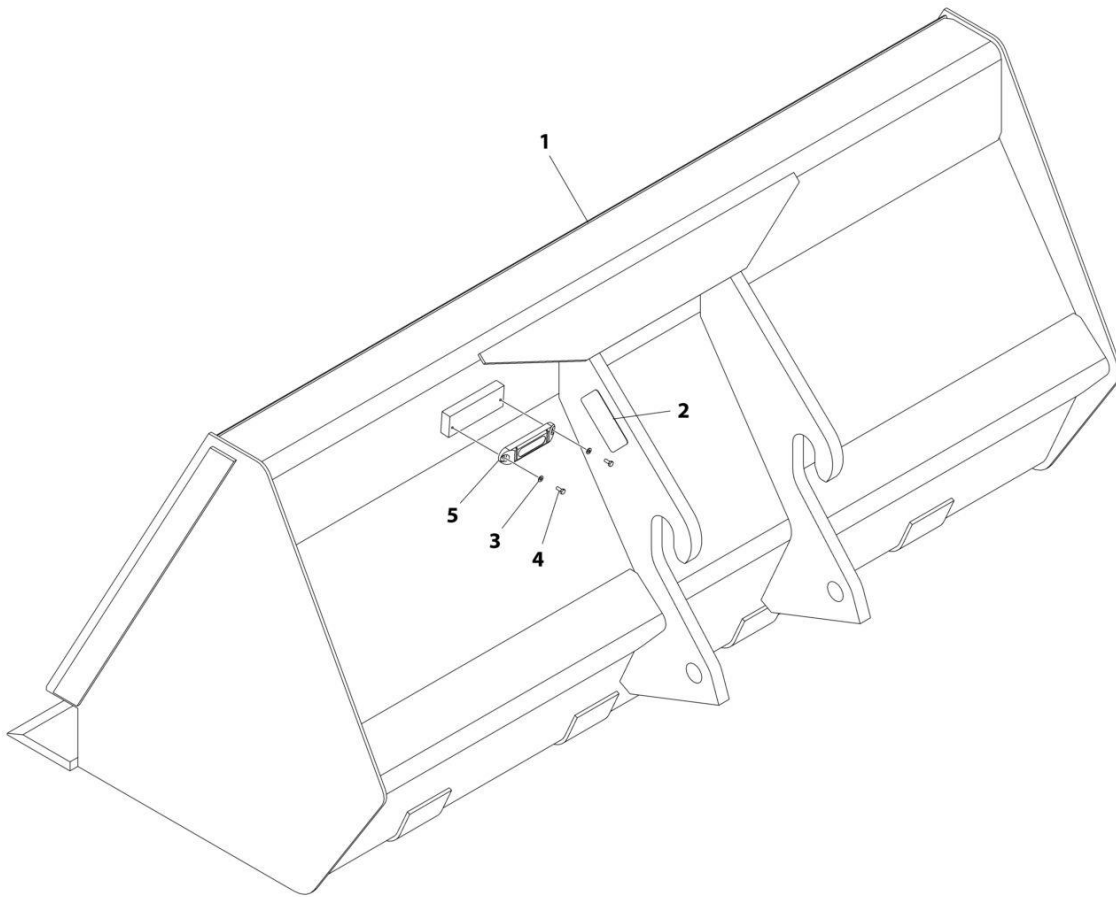
## SECTION 3 - ATTACHMENTS

### FIGURE 3-10. BOOM - 15FT WITHOUT WINCH

ITEM	PART NUMBER	QTY	DESCRIPTION	REV
	1001099901	Ref	TRUSS BOOM (15 FOOT)	G
1	4110422	2	Decal, Danger Swinging Loads	
2	See Note	NSS	SN Plate (Note:Stamped Part - Not Available for Purchase)	
3	See Note	NSS	Boom, Truss (Note: Purchase Complete Assembly)	
4	1001227670	1	Tag, RFID	
5	4811400	2	Washer M4	
6	0760405	2	Bolt M4 x 10	

# SECTION 3 - ATTACHMENTS

## FIGURE 3-11. BUCKET - 72IN 1.0 YD<sup>3</sup>



ART\_1001100822\_H



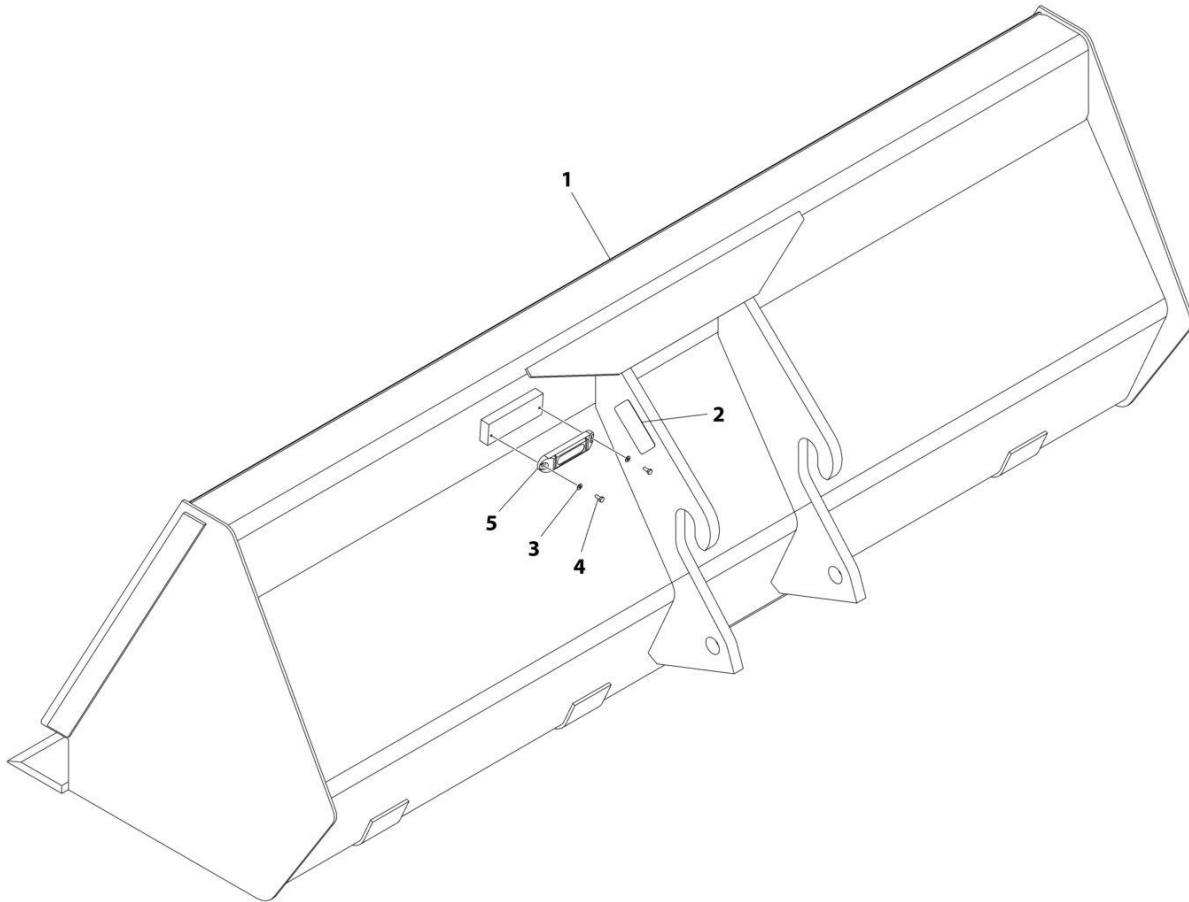
## SECTION 3 - ATTACHMENTS

### FIGURE 3-11. BUCKET - 72IN 1.0 YD<sup>3</sup>

ITEM	PART NUMBER	QTY	DESCRIPTION	REV
	1001100822	Ref	BUCKET 1.0 YD <sup>3</sup> (ANSI - JLG)	H
1	1001100265	1	Bucket Weldment	
2	See Note	NSS	SN Plate (Note:Stamped Part - Not Available for Purchase)	
3	4811400	2	Washer M4	
4	0760405	2	Bolt M4 x 10	
5	1001227670	1	Tag, RFID	

# SECTION 3 - ATTACHMENTS

FIGURE 3-12. BUCKET - 96IN 1.3 YD<sup>3</sup> (GENERAL PURPOSE)



ART\_1001100823\_H

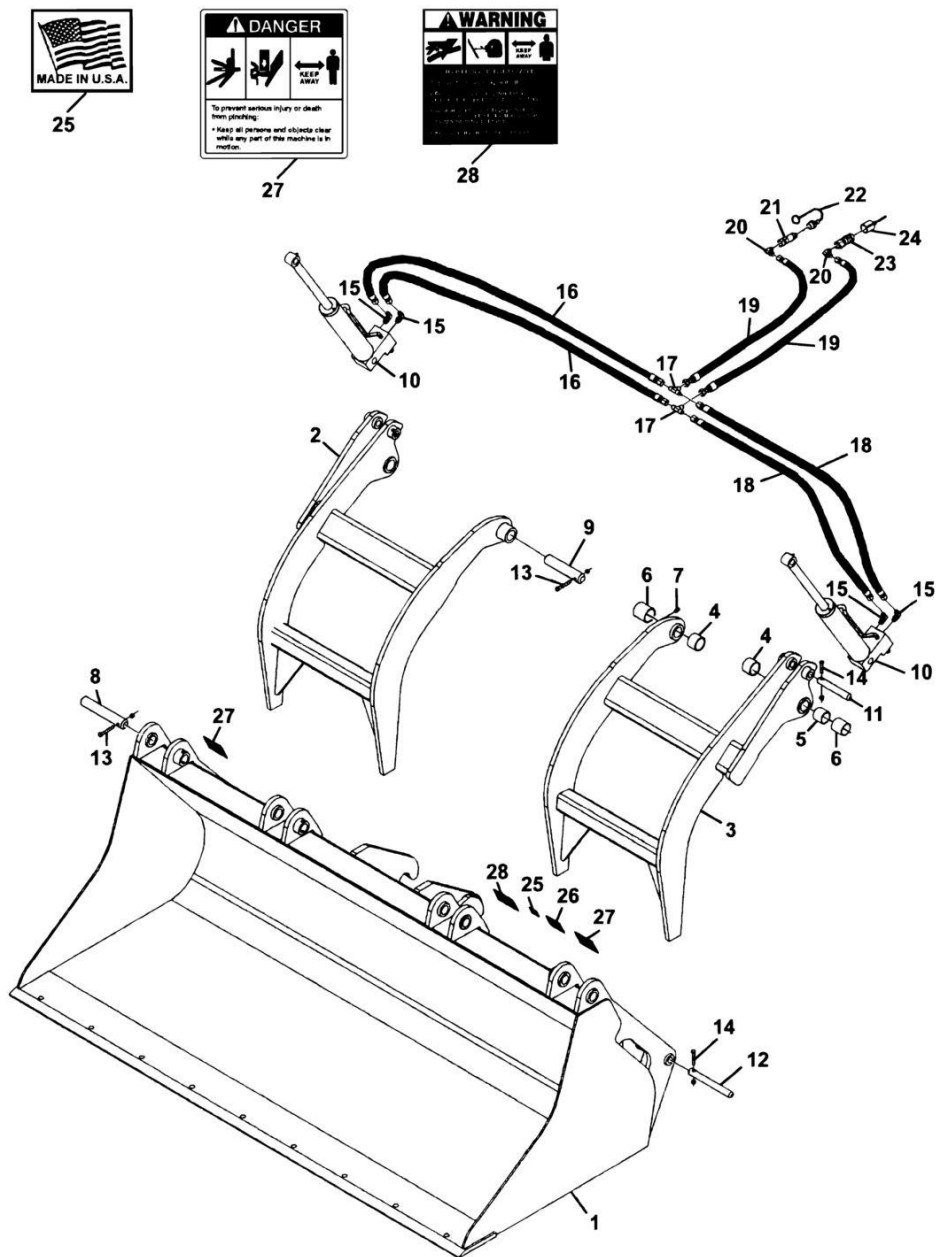
## SECTION 3 - ATTACHMENTS

**FIGURE 3-12. BUCKET - 96IN 1.3 YD<sup>3</sup> (GENERAL PURPOSE)**

ITEM	PART NUMBER	QTY	DESCRIPTION	REV
	1001100823	Ref	BUCKET (1.15 M <sup>3</sup> )	H
1	1001100266	1	Bucket	
2	See Note	NSS	SN Plate (Note:Stamped Part - Not Available for Purchase)	
3	4811400	2	Washer M4	
4	0760405	2	Bolt M4 x 10	
5	1001227670	1	Tag, RFID	

# SECTION 3 - ATTACHMENTS

## FIGURE 3-13. BUCKET - 96IN 1.3 YD<sup>3</sup> (MULTI-PURPOSE)



ART\_0930020-J

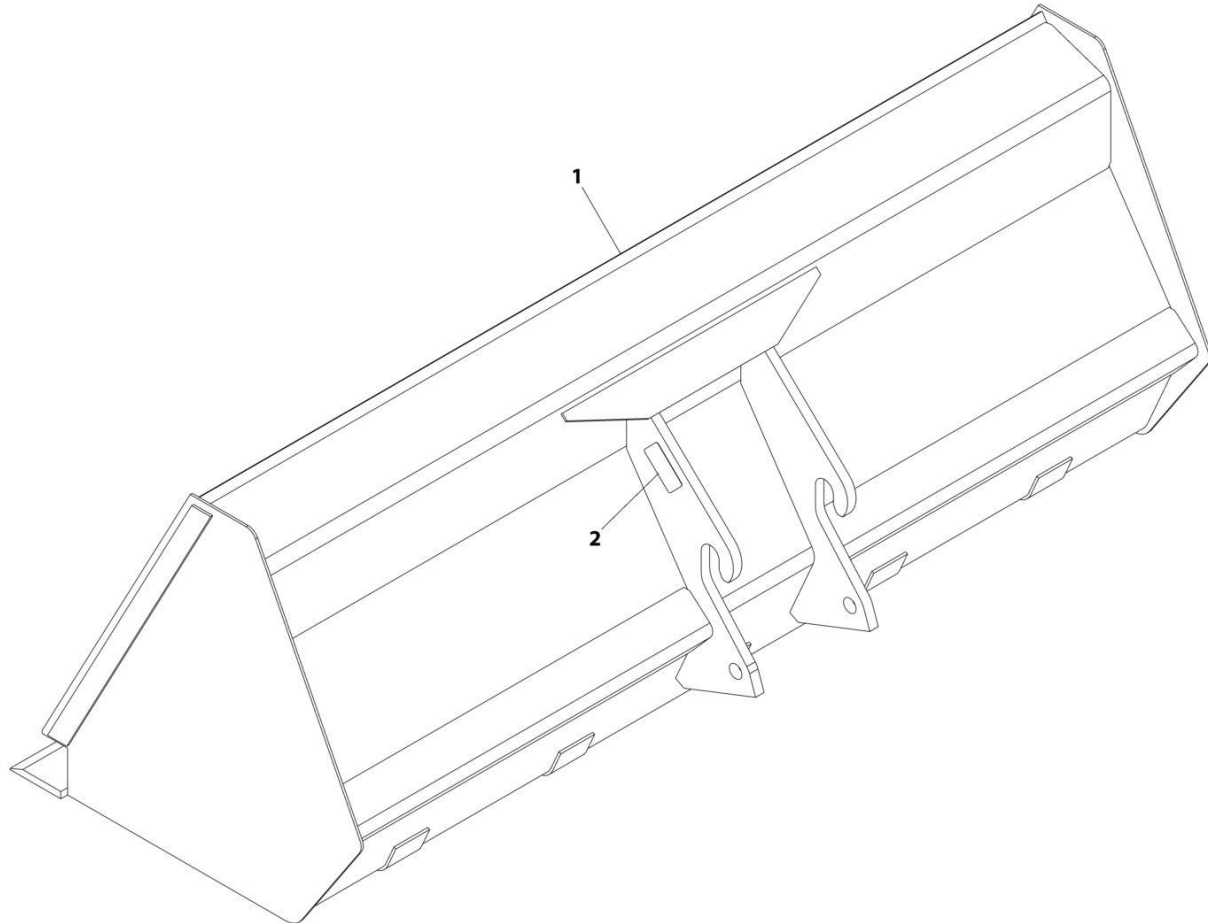
## SECTION 3 - ATTACHMENTS

**FIGURE 3-13. BUCKET - 96IN 1.3 YD<sup>3</sup> (MULTI-PURPOSE)**

ITEM	PART NUMBER	QTY	DESCRIPTION	REV
	0930020	Ref	Multi-Purpose Grapple Bucket (2450 MM)	J
1	N.S.S.	1	Bucket	
1	70021387	4	Clamp, Hose	
2	70021391	1	Hook, RH Grapple	
3	70021392	1	Hook, LH Grapple	
4	70021358	4	Bushing	
5	70021359	2	Spacer	
6	70021360	4	Bushing	
7	7029714	4	Fitting, Grease	
8	70021361	2	Pin	
9	70021362	2	Pin	
10	70021393	2	Cylinder, Grapple Bucket (See Separate Breakdown in HYDRAULIC COMPONENTS Section)	
11	70021364	2	Pin	
12	70021365	2	Pin	
13	70021366	4	Bolt, 3/8X2-3/4	
13	70021367	4	Nut 3/8	
14	70021399	4	Bolt, 3/8X2-1/4	
14	70021367	4	Nut, Lock 3/8	
15	90554065	4	Fitting, 90	
16	70021980	2	Hose	
17	70020562	2	Fitting, Tee	
18	70021981	2	Hose	
19	70021982	2	Hose	
20	70022527	2	Fitting, 90	
21	7029692	1	Coupler	
22	90554062	1	Cover	
23	70021342	1	Coupler	
24	90554076	1	Cover	
25	90554016	1	Decal, Made in USA	
26	See Note	NSS	S/N Plate (Note: Stamped Part - Not Available for Purchase)	
27	90554017	2	Decal, Danger Pinch Point	
28	90554018	1	Decal, Warning High Pressure	

# SECTION 3 - ATTACHMENTS

FIGURE 3-14. BUCKET - 102IN 2.0 YD<sup>3</sup>



ART\_1001100824-F

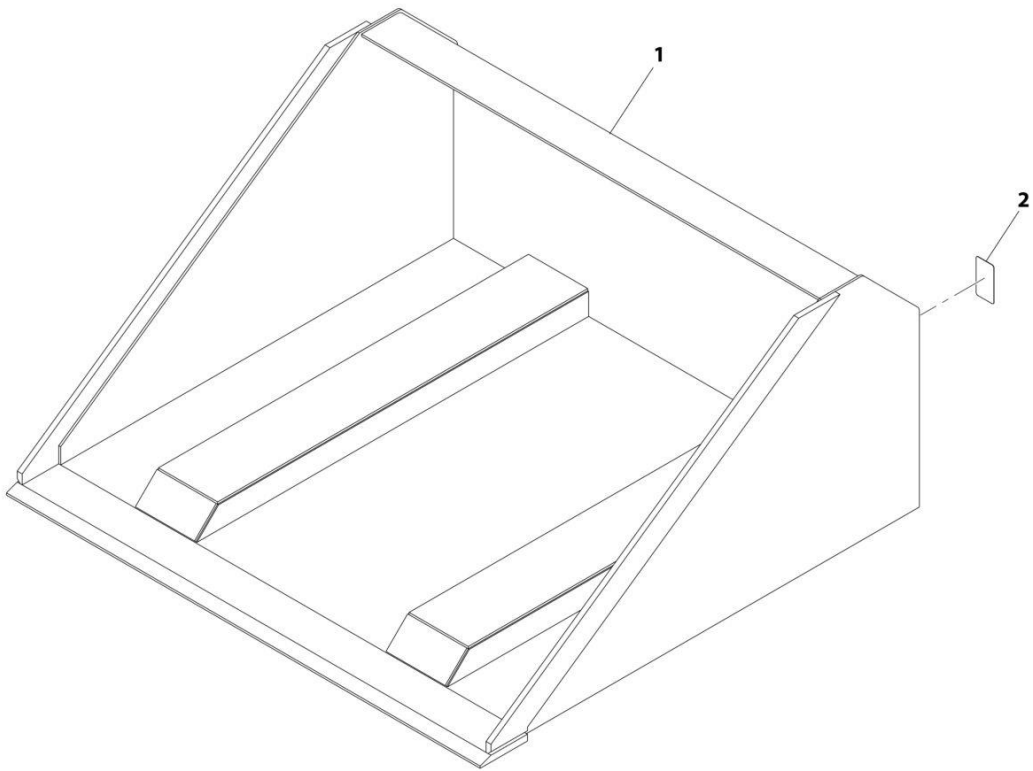
## SECTION 3 - ATTACHMENTS

**FIGURE 3-14. BUCKET - 102IN 2.0 YD<sup>3</sup>**

ITEM	PART NUMBER	QTY	DESCRIPTION	REV
	1001100824	Ref	Bucket (102 Inch)	F
1	1001100267	NLA	Bucket (Note: Purchase PN 1001100824)	
2	See Note	NSS	S/N Plate (Note: Stamped Part - Not Available for Purchase)	

# SECTION 3 - ATTACHMENTS

FIGURE 3-15. BUCKET - FORK MOUNTED (1.0 M<sup>3</sup>)



ART\_1001195970-D



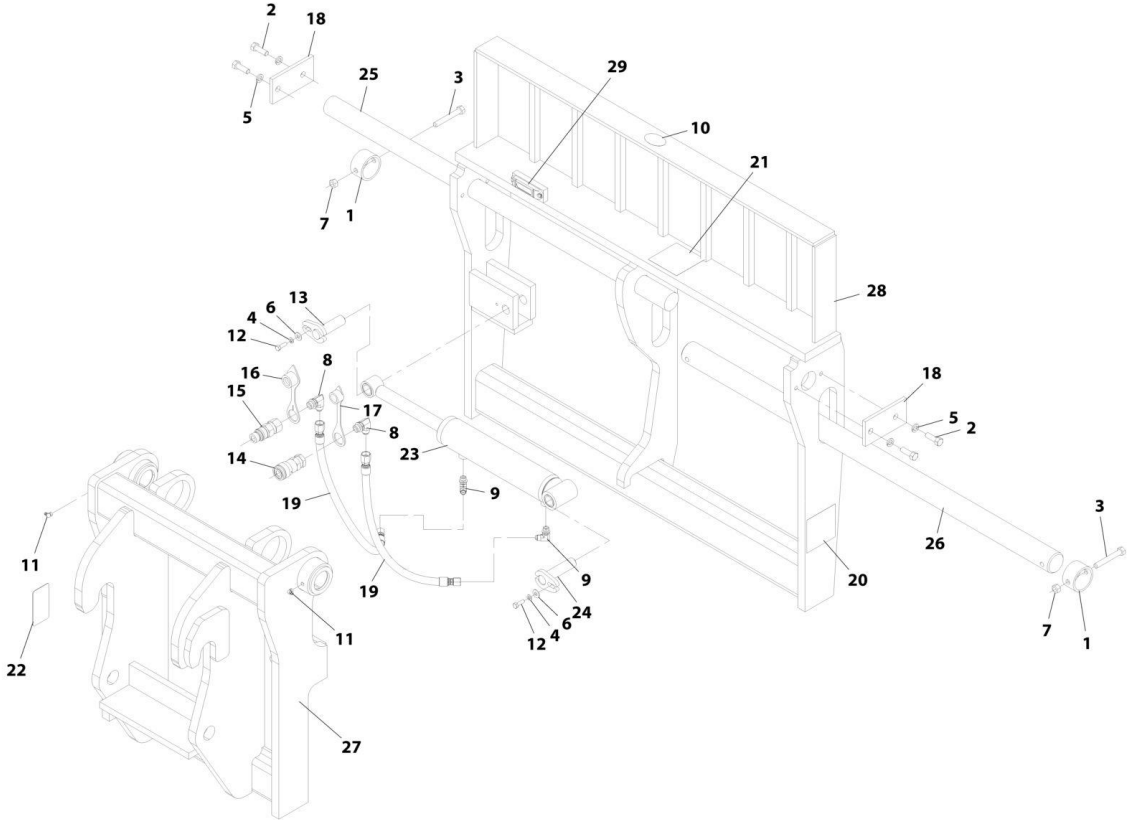
## SECTION 3 - ATTACHMENTS

**FIGURE 3-15. BUCKET - FORK MOUNTED (1.0 M<sup>3</sup>)**

ITEM	PART NUMBER	QTY	DESCRIPTION	REV
1	1001195970	Ref	Bucket 1.0 m <sup>3</sup> (Fork Mounted)	D
2	See Note	NSS	S/N Plate (Note: Stamped Part - Not Available for Purchase)	

**SECTION 3 - ATTACHMENTS**

**FIGURE 3-16. CARRIAGE ASSEMBLY - 48IN SIDE SHIFT**



ART\_1001242644-B

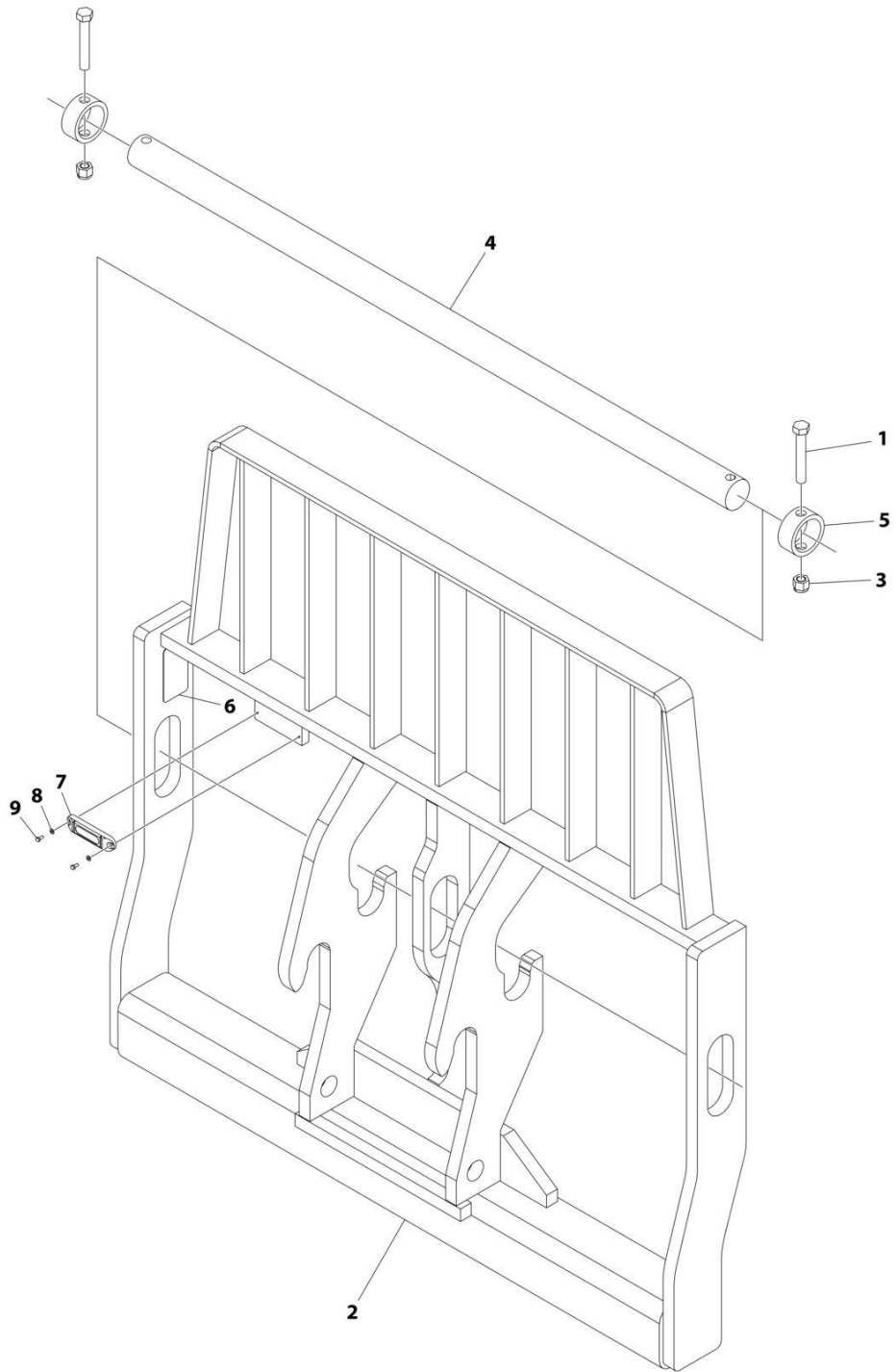
## SECTION 3 - ATTACHMENTS

### FIGURE 3-16. CARRIAGE ASSEMBLY - 48IN SIDE SHIFT

ITEM	PART NUMBER	QTY	DESCRIPTION	REV
	1001242644	Ref	SIDE SHIFT CARRIAGE ASSEMBLY (48 INCH)	B
1	70020028	2	Bushing	
2	70021382	4	Bolt 1/2 x 1-1/2	
3	70020002	2	Bolt 1/2 x 4	
4	90554067	2	Washer 5/16	
5	90554020	4	Washer 1/2	
6	70021379	2	Washer	
7	70027642	2	Washer	
8	70030141	2	Elbow	
9	90554065	2	Elbow 90	
10	90554016	1	Decal - Made in USA	
11	70021389	2	Fitting 90	
12	70021378	2	Capscrew	
13	70021351	1	Pin	
14	91403413	1	Adapter	
15	91403414	1	Adapter	
16	8420053	1	Cap, Dust	
17	8420055	1	Plug, Dust	
18	70030142	2	Plate	
19	70030143	2	Hose	
20	90554017	2	Decal - Danger Pinch Point	
21	7029711	1	Decal - High Pressure	
22	See Note	NSS	SN Plate (Note: Stamped Part - Not Available for Purchase)	
23	70021376	1	Cylinder Assembly (See Separate Breakdown in HYDRAULIC COMPONENTS Section)	
24	70021377	1	Pin	
25	70030144	1	Pin	
26	70030145	1	Pin	
27	See Note	NSS	Frame - Rear (Note: Purchase Complete Assembly)	
28	See Note	NSS	Frame - Front (Note: Purchase Complete Assembly)	
29	1001227670	1	Tag, RFID	

# SECTION 3 - ATTACHMENTS

## FIGURE 3-17. CARRIAGE ASSEMBLY - 50IN



ART\_1170021\_I

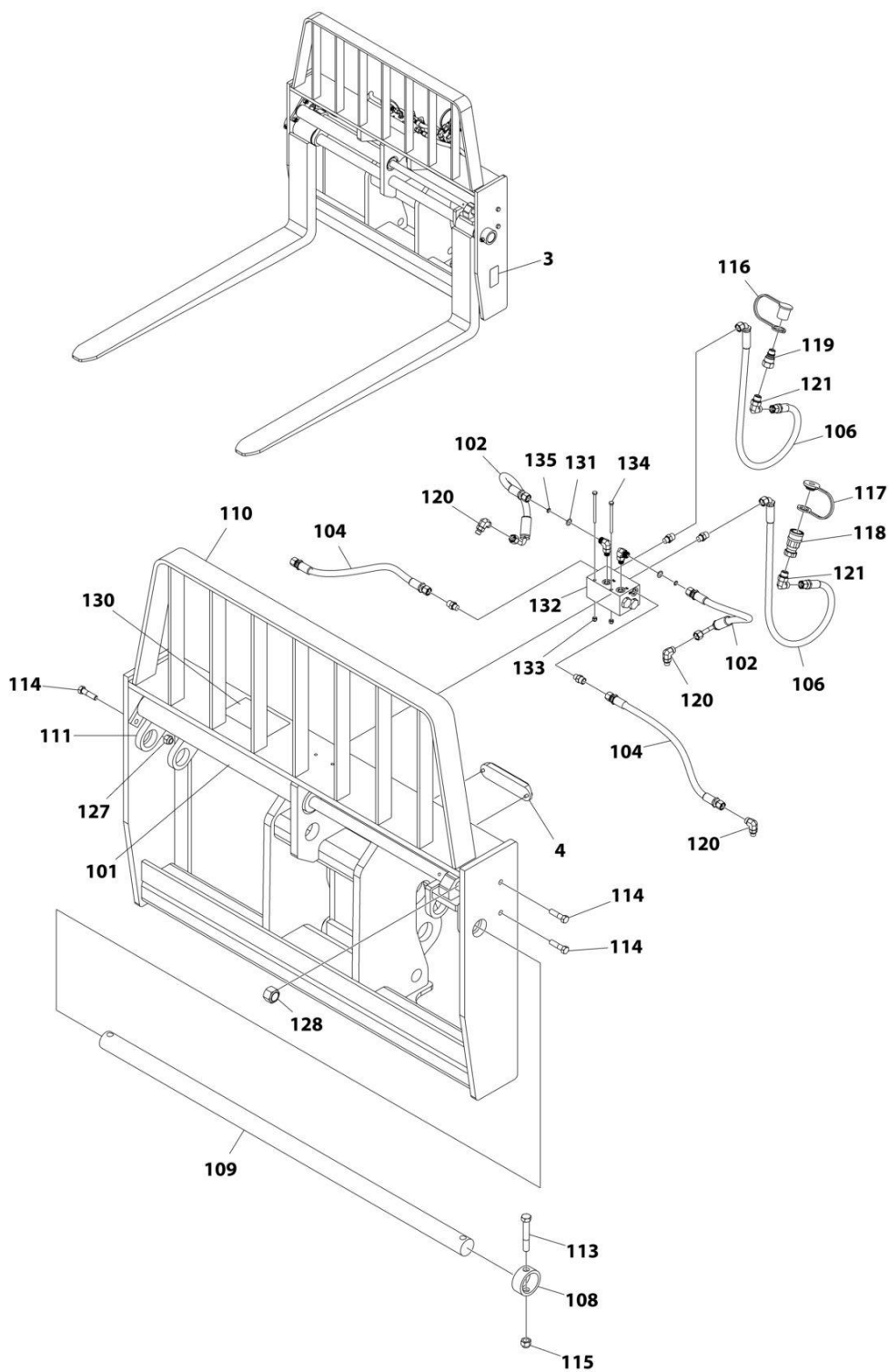
## SECTION 3 - ATTACHMENTS

### FIGURE 3-17. CARRIAGE ASSEMBLY - 50IN

ITEM	PART NUMBER	QTY	DESCRIPTION	REV
	1170021	Ref	CARRIAGE ASSEMBLY (50 INCH)	I
1	0642032	2	Bolt 5/8-11 x 4	
2	See Note	NSS	Carriage (Note: Purchase Complete Assembly)	
3	3300240	2	Nut 5/8-11	
4	3423275	1	Pin, Fork	
5	90200003	2	Collar, Fork Pin	
6	See Note	NSS	SN Plate (Note: Stamped Part - Not Available for Purchase)	
7	1001227670	1	Tag, RFID	
8	4811400	2	Washer M4	
9	0760405	2	Bolt M4 x 10	

# SECTION 3 - ATTACHMENTS

## FIGURE 3-18. CARRIAGE ASSEMBLY - 50IN DUAL FORK POSITIONING (10K)



ART\_7301295\_K

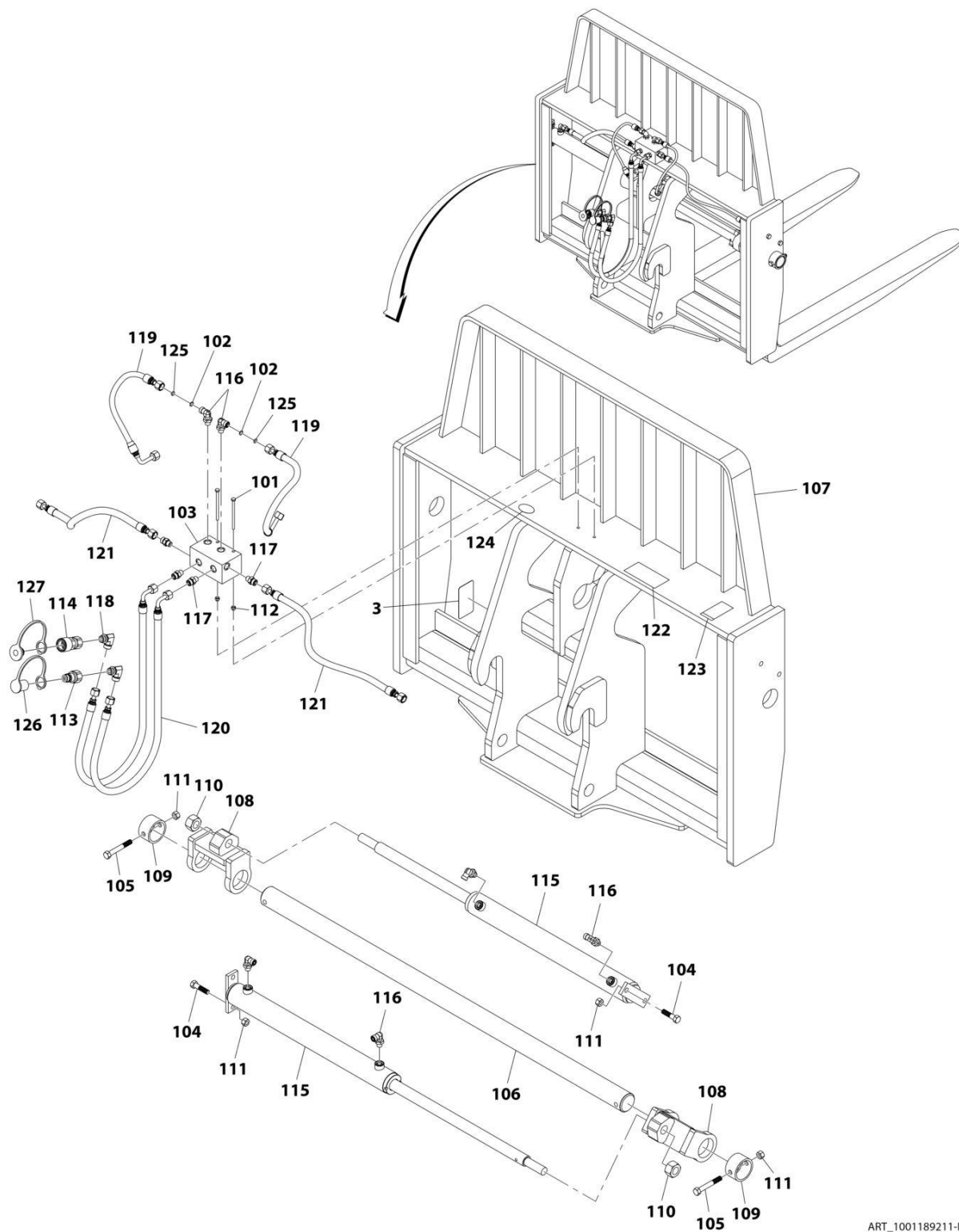
## SECTION 3 - ATTACHMENTS

**FIGURE 3-18. CARRIAGE ASSEMBLY - 50IN DUAL FORK POSITIONING (10K)**

ITEM	PART NUMBER	QTY	DESCRIPTION	REV
	7301295	Ref	FORK POSITIONING CARRIAGE WITH FORKS (4.5 TON)	K
3	N.S.S.	1	S/N Plate	
4	1001227670	1	Tag, RFID	
101	2717283	2	Cylinder, Fork Positioning (See Separate Breakdown in HYDRAULIC COMPONENTS Section)	
102	2717160	2	Hose	
104	2717161	2	Hose	
106	2717162	2	Hose	
108	90200003	2	Collar, Fork Pin	
109	90451058	1	Shaft, Fork	
110	N.S.S.	1	Weldment, Carriage	
111	N.S.S.	1	Weldment, Fork Adapter	
113	8303634	2	Bolt 5/8 x 4	
114	8303658	4	Bolt 1/2 x 2	
115	8305643	2	Nut 5/8	
116	8420053	1	Cap, Dust	
117	8420055	1	Plug, Dust	
118	91403413	1	Adapter, Quick Disconnect	
119	91403414	1	Adapter, Quick Disconnect	
120	2130606	4	Adapter, 90 Straight	
121	2130608	2	Adapter, 90 Straight	
127	8310302	4	Nut 1/2	
128	10705034	2	Nut 1	
130	4110473	1	Decal, Warning Route Hoses	
131	7139918	2	Disk, Orifice	
132	4641502	1	Assembly, Dual Fork Carriage Valve (See Separate Breakdown in HYDRAULIC COMPONENTS Section)	
133	8305624	2	Nut 1/4	
134	8310435	2	Bolt 1/4 x 3-3/4	
135	8630003	2	O-Ring	

# SECTION 3 - ATTACHMENTS

## FIGURE 3-19. CARRIAGE ASSEMBLY - 50IN DUAL FORK POSITIONING (12K)



ART\_1001189211-D



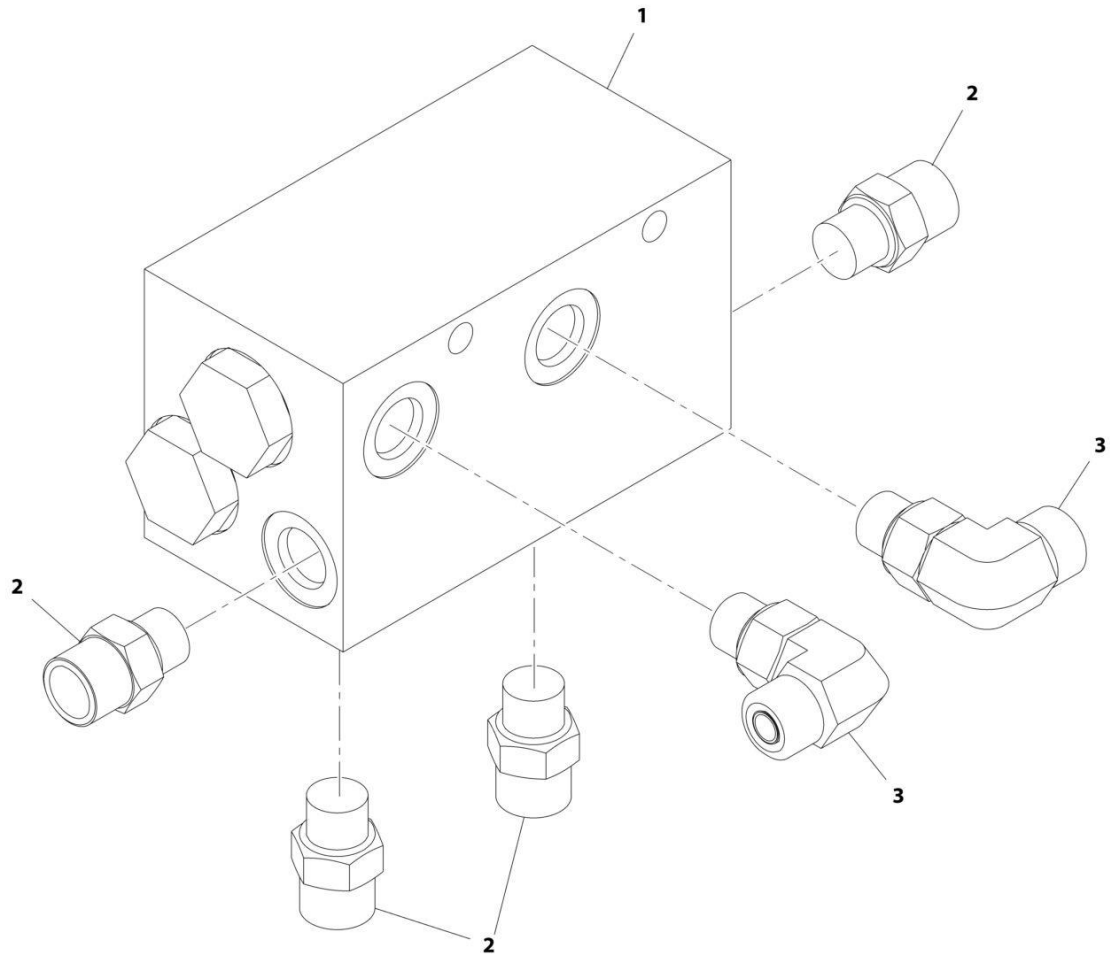
## SECTION 3 - ATTACHMENTS

**FIGURE 3-19. CARRIAGE ASSEMBLY - 50IN DUAL FORK POSITIONING (12K)**

ITEM	PART NUMBER	QTY	DESCRIPTION	REV
	1001189211	Ref	Dual Fork Positioning Carriage Assembly (50 Inch)	D
3	See Note	NSS	S/N Plate (Note: Stamped Part - Not Available for Purchase)	
101	70028519	2	Bolt	
102	70028520	2	Orifice	
103	70028521	1	Valve	
104	90554019	4	Bolt	
105	70020002	2	Bolt	
106	70027283	1	Pin Fork	
107	See Note	NSS	Carriage (Note: Purchase Complete Assembly)	
108	70028522	2	Weldment, Fork Adapter	
109	70020028	2	Bushing	
110	70021440	2	Nut	
111	70028523	6	Nut	
112	70028524	2	Nut	
113	91403414	1	Adapter, Male Quick Disconnect	
114	91403413	1	Adapter, Female Quick Disconnect	
115	2717283	2	Cylinder, Dual Fork (See Separate Breakdown in HYDRAUIC COMPONENTS Section)	
116	70028525	6	Elbow, 90	
117	70028486	4	Fitting	
118	70028526	2	Elbow, 90	
119	70028527	2	Hose	
120	70028528	2	Hose	
121	70028529	2	Hose	
122	70028530	1	Decal, Hose Routing	
123	See Note	NSS	S/N Plate (Note: Stamped Part - Not Available for Purchase)	
124	90554016	1	Decal	
125	70028531	2	O-Ring	
126	8420055	1	Plug, Dust	
127	8420053	1	Cap, Dust	

# SECTION 3 - ATTACHMENTS

## FIGURE 3-20. CARRIAGE ASSEMBLY - DUAL FORK VALVE & FITTINGS



ART\_4641502-B

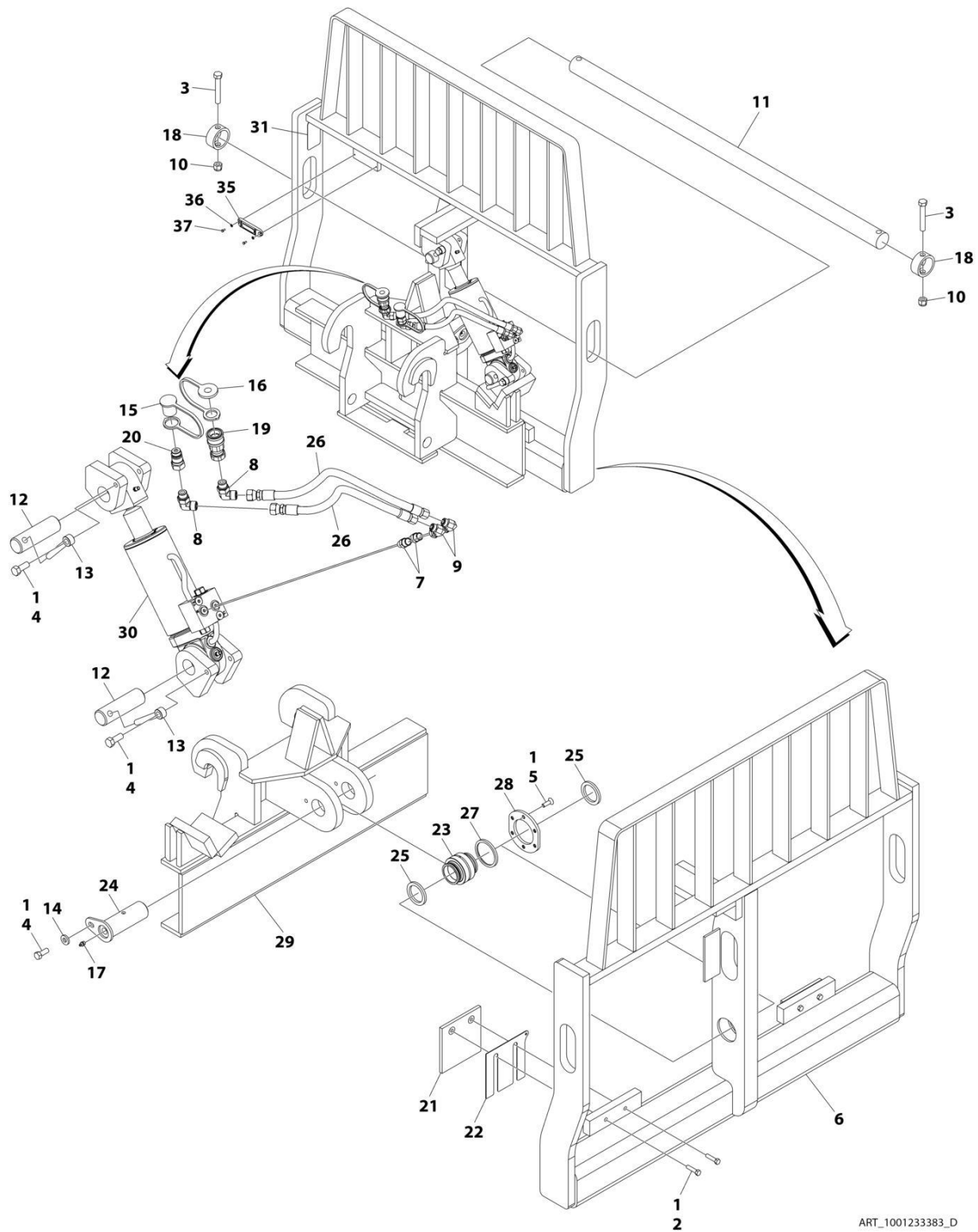
## SECTION 3 - ATTACHMENTS

**FIGURE 3-20. CARRIAGE ASSEMBLY - DUAL FORK VALVE & FITTINGS**

ITEM	PART NUMBER	QTY	DESCRIPTION	REV
	4641502	Ref	Dual Fork Carriage Valve Assembly	B
1	4641501	1	Valve, Flow Divider (See Separate Breakdown in this Section)	
2	2110606	4	Fitting, Straight ORFS	
3	2130606	2	Fitting, 90	

# SECTION 3 - ATTACHMENTS

## FIGURE 3-21. CARRIAGE ASSEMBLY - 50IN SIDE TILT



ART\_1001233383\_D

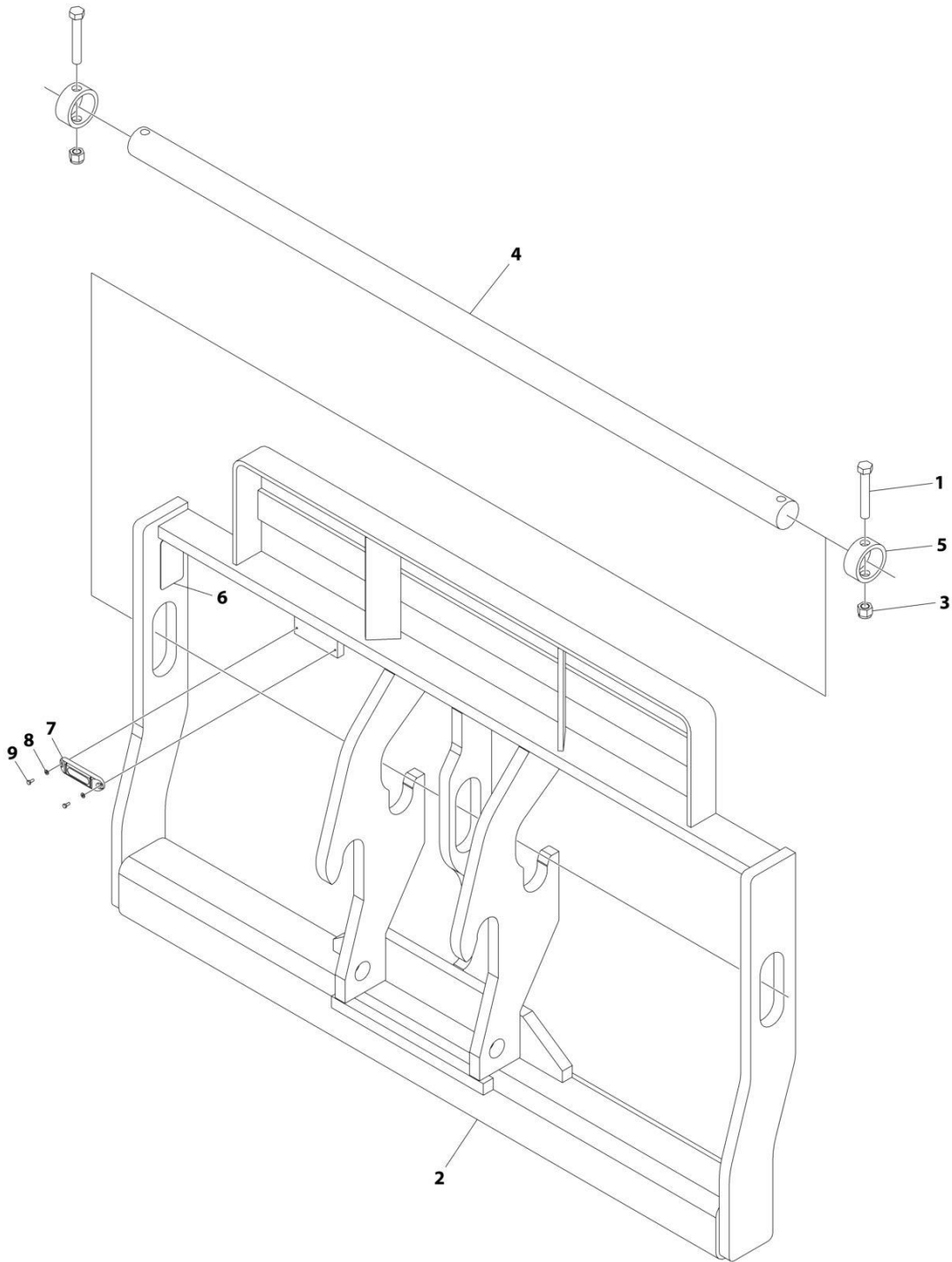
## SECTION 3 - ATTACHMENTS

**FIGURE 3-21. CARRIAGE ASSEMBLY - 50IN SIDE TILT**

ITEM	PART NUMBER	QTY	DESCRIPTION	REV
	1001233383	Ref	SIDE TILT CARRIAGE ASSEMBLY (50 INCH)	D
1	0100011	AR	Compound, Locking	
2	0641612	4	Bolt 3/8 x 1-1/2	
3	0642032	2	Bolt 5/8 x 4	
4	0681810	3	Bolt 1/2 x 1-1/4	
5	0741610	6	Screw 3/8 x 1.25	
6	See Note	NSS	Carriage (Note: Purchase Complete Assembly)	
7	2110606	2	Fitting, Straight ORFS	
8	2130808	2	Adapter, 90	
9	2172106	2	Fitting, 90 ORFS	
10	3300240	2	Nut 5/8	
11	3423275	1	Pin	
12	3423307	2	Pin	
13	3841203	2	Keeper	
14	4891800	1	Flatwasher	
15	8420053	1	Cap	
16	8420055	1	Plug	
17	88671001	1	Fitting, Grease	
18	90200003	2	Collar	
19	91403413	1	Fitting, Straight	
20	91403414	1	Fitting, Straight	
21	1001090063	2	Pad	
22	1001090064	AR	Shim	
23	1001090140	1	Bearing	
24	1001099113	1	Pin	
25	1001099115	2	Sleeve	
26	1001239734	2	Hose	
27	1001120914	1	Shim	
28	1001120915	1	Plate	
29	See Note	NSS	Carriage, Base Plate (Note: Purchase Complete Assembly)	
30	1001163414	1	Cylinder, Side Tilt (See Separate Breakdown in HYDRAULIC COMPONENTS Section)	
31	See Note	NSS	SN Plate (Note: Stamped Part - Not Available for Purchase)	
35	1001227670	1	Tag, RFID	
36	4811400	2	Washer M4	
37	0760405	2	Bolt M4 x 10	

# SECTION 3 - ATTACHMENTS

## FIGURE 3-22. CARRIAGE ASSEMBLY - 60IN



ART\_1170024\_I

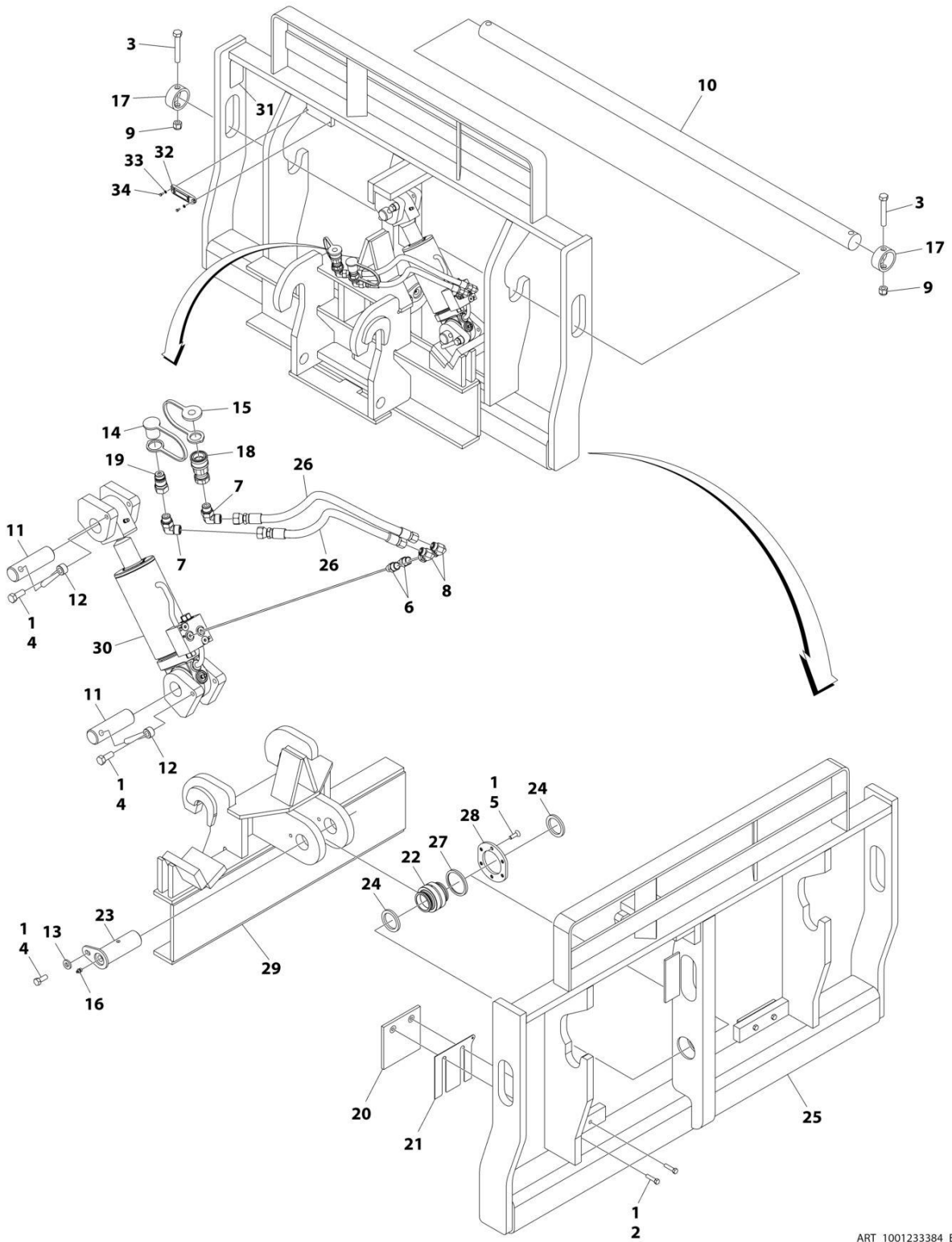
## SECTION 3 - ATTACHMENTS

### FIGURE 3-22. CARRIAGE ASSEMBLY - 60IN

ITEM	PART NUMBER	QTY	DESCRIPTION	REV
	1170024	Ref	CARRIAGE ASSEMBLY (1524 MM)	I
1	0642032	2	Bolt 5/8 x 4	
2	See Note	NSS	Carriage (Note: Purchase Complete Assembly)	
3	3300240	2	Nut 5/8	
4	3423242	1	Pin	
5	90200003	2	Sleeve	
6	See Note	NSS	SN Plate (Note:Stamped Part - Not Available for Purchase)	
7	1001227670	1	Tag, RFID	
8	4811400	2	Washer M4	
9	0760405	2	Bolt M4 x 10	

# SECTION 3 - ATTACHMENTS

## FIGURE 3-23. CARRIAGE ASSEMBLY - 60IN SIDE TILT



ART\_1001233384\_E



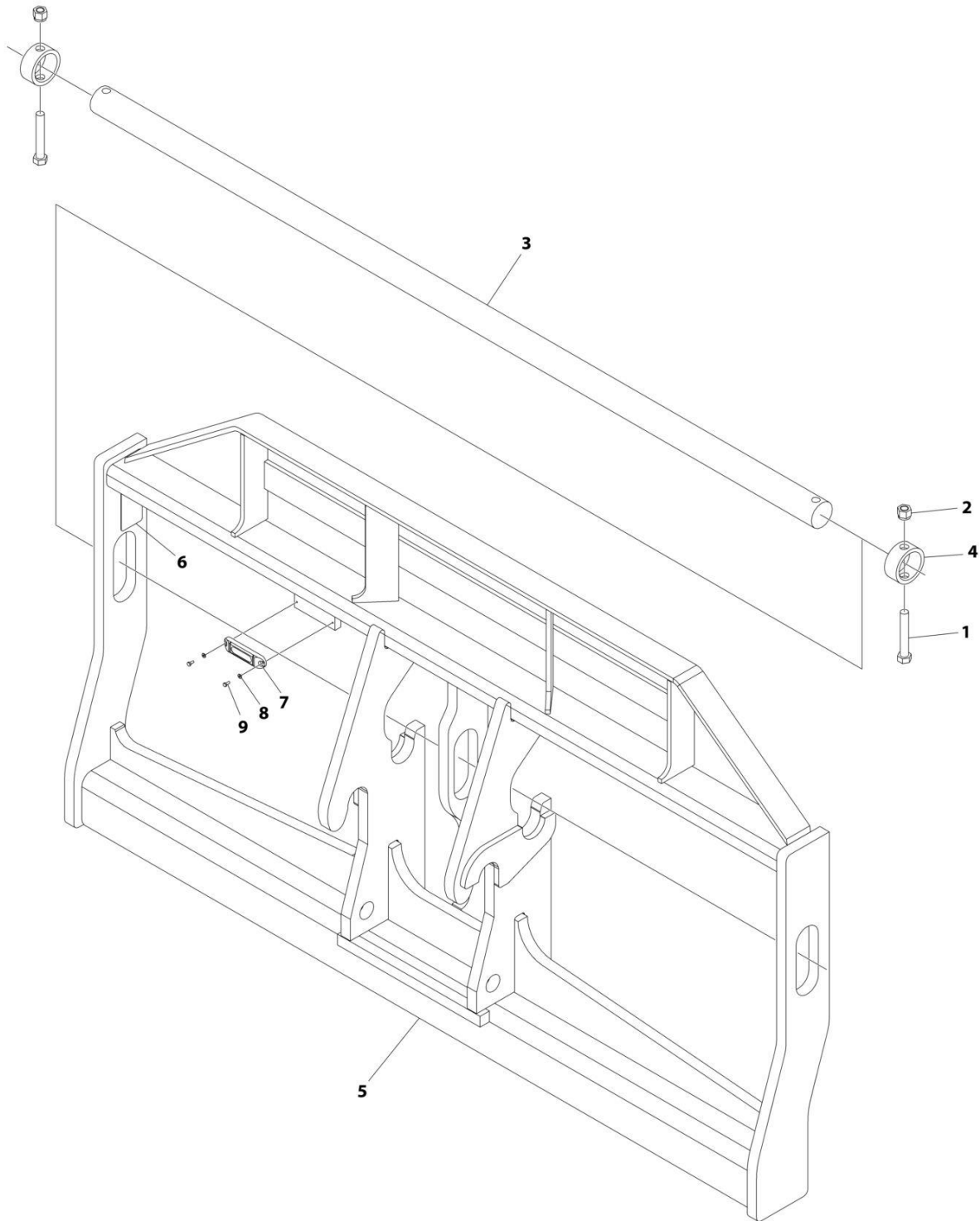
## SECTION 3 - ATTACHMENTS

**FIGURE 3-23. CARRIAGE ASSEMBLY - 60IN SIDE TILT**

ITEM	PART NUMBER	QTY	DESCRIPTION	REV
	1001233384	Ref	SIDE TILT CARRIAGE ASSEMBLY (60 INCH)	E
1	0100011	AR	Compound, Locking	
2	0641612	4	Bolt 3/8 x 1-1/2	
3	0642032	2	Bolt 5/8 x 4	
4	0681810	3	Bolt 1/2 x 1-1/4	
5	0741610	6	Screw 3/8 x 1-1/4	
6	2110606	2	Fitting, Straight	
7	2130808	2	Adapter, 90	
8	2172106	2	Fitting, 90	
9	3300240	2	Nut 5/8	
10	3423242	1	Pin	
11	3423307	2	Pin	
12	3841203	2	Keeper	
13	4891800	1	Washer	
14	8420053	1	Cap	
15	8420055	1	Plug	
16	88671001	1	Fitting, Grease	
17	90200003	2	Collar	
18	91403413	1	Fitting, Straight	
19	91403414	1	Fitting, Straight	
20	1001090063	2	Pad	
21	1001090064	AR	Shim	
22	1001090140	1	Bearing	
23	1001099113	1	Pin	
24	1001099115	2	Sleeve	
25	See Note	NSS	Carriage, Side Tilt (Note: Purchase Complete Assembly)	
26	1001239734	2	Hose	
27	1001120914	1	Shim	
28	1001120915	1	Plate	
29	1001133072	1	Carriage, Base Pivot	
30	1001163414	1	Cylinder, Side Tilt (See Separate Breakdown in HYDRAULIC COMPONENTS Section)	
31	See Note	NSS	SN Plate (Note: Stamped Part - Not Available for Purchase)	
32	1001227670	1	Tag, RFID	
33	4811400	2	Washer M4	
34	0760405	2	Bolt M4 x 10	

# SECTION 3 - ATTACHMENTS

## FIGURE 3-24. CARRIAGE ASSEMBLY - 72IN



ART\_1001211516\_E

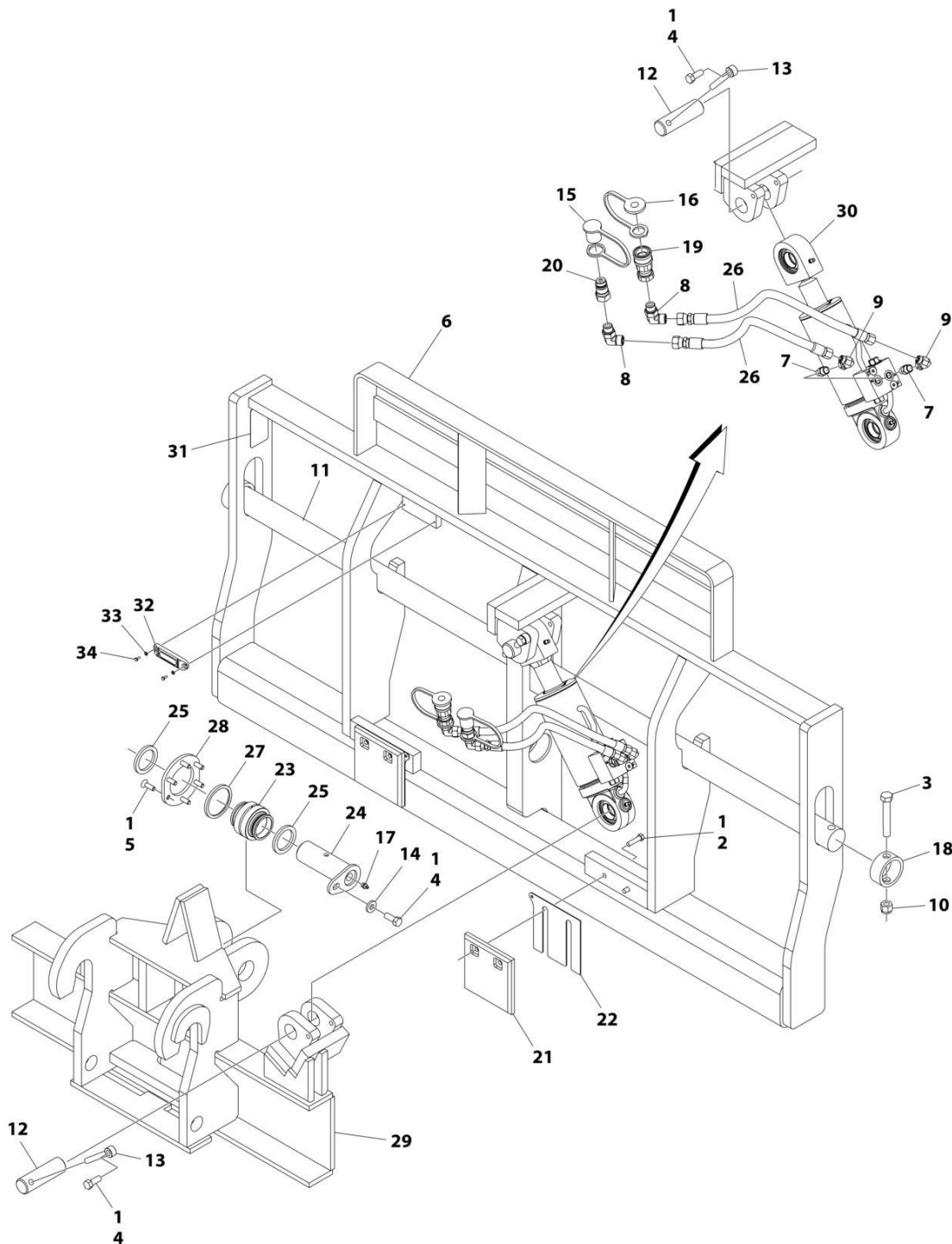
## SECTION 3 - ATTACHMENTS

### FIGURE 3-24. CARRIAGE ASSEMBLY - 72IN

ITEM	PART NUMBER	QTY	DESCRIPTION	REV
	1001211516	Ref	CARRIAGE ASSEMBLY (72 INCH)	E
1	0642032	2	Bolt 5/8 x 4	
2	3300240	2	Nut 5/8	
3	3423276	1	Pin	
4	90200003	2	Sleeve	
5	See Note	NSS	Carriage (Note: Purchase Complete Assembly)	
6	See Note	NSS	SN Plate (Note:Stamped Part - Not Available for Purchase)	
7	1001227670	1	Tag, RFID	
8	4811400	2	Washer M4	
9	0760405	2	Bolt M4 x 10	

# SECTION 3 - ATTACHMENTS

## FIGURE 3-25. CARRIAGE ASSEMBLY - 72IN SIDE TILT



ART\_1001233385\_D

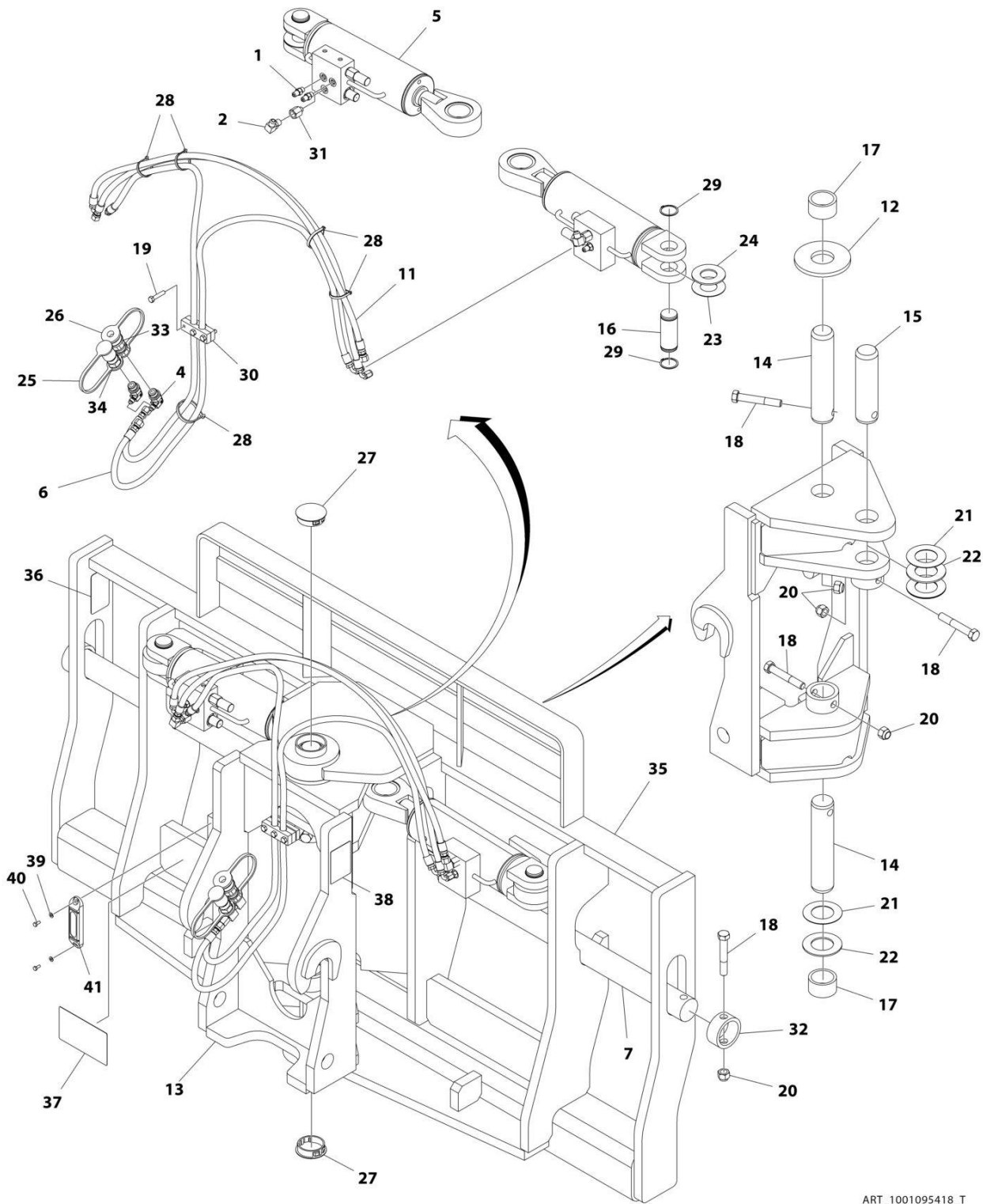
## SECTION 3 - ATTACHMENTS

**FIGURE 3-25. CARRIAGE ASSEMBLY - 72IN SIDE TILT**

ITEM	PART NUMBER	QTY	DESCRIPTION	REV
	1001233385	Ref	SIDE TILT CARRIAGE ASSEMBLY (72 INCH)	D
1	0100011	AR	Compound, Locking	
2	0641612	4	Bolt 3/8 x 1-1/2	
3	0642032	2	Bolt 5/8 x 4	
4	0681810	3	Bolt 1/2 x 1-1/4	
5	0741610	6	Screw 3/8 x 1-1/4	
5	See Note	NSS	Carriage, Side Tilt (Note: Purchase Complete Assembly)	
7	2110606	2	Adapter, Straight	
8	2130808	2	Adapter, 90	
9	2172106	2	Adapter, 90	
10	3300240	2	Nut 5/8	
11	3423276	1	Pin, Fork	
12	3423307	2	Pin, Side Tilt Cylinder	
13	3841203	2	Keeper, Rod	
14	4891800	1	Washer 1/2	
15	8420053	1	Cap, Dust	
16	8420055	1	Plug, Dust	
17	88671001	1	Fitting, Grease	
18	90200003	2	Collar, Fork Pin	
19	91403413	1	Adapter	
20	91403414	1	Adapter	
21	1001090063	2	Pad, Wear	
22	1001090064	AR	Shim, Wear Pad	
23	1001090140	1	Bearing, Side Tilt Spherical	
24	1001099113	1	Pin, Side Tilt Frame Pivot	
25	1001099115	2	Sleeve, Tilt Bearing Spacer	
26	1001239734	2	Hose	
27	1001120914	1	Shim, Bearing Retainer	
28	1001120915	1	Plate, Bearing Retainer	
29	1001133072	1	Carriage, Base Pivot	
30	1001163414	1	Cylinder, Side Tilt (See Separate Breakdown in HYDRAULIC COMPONENTS Section)	
31	See Note	NSS	SN Plate (Note: Stamped Part - Not Available for Purchase)	
32	1001227670	1	Tag, RFID	
33	4811400	2	Washer M4	
34	0760405	2	Bolt M4 x 10	

# SECTION 3 - ATTACHMENTS

## FIGURE 3-26. CARRIAGE ASSEMBLY - 72IN 90 SWING



ART\_1001095418\_T

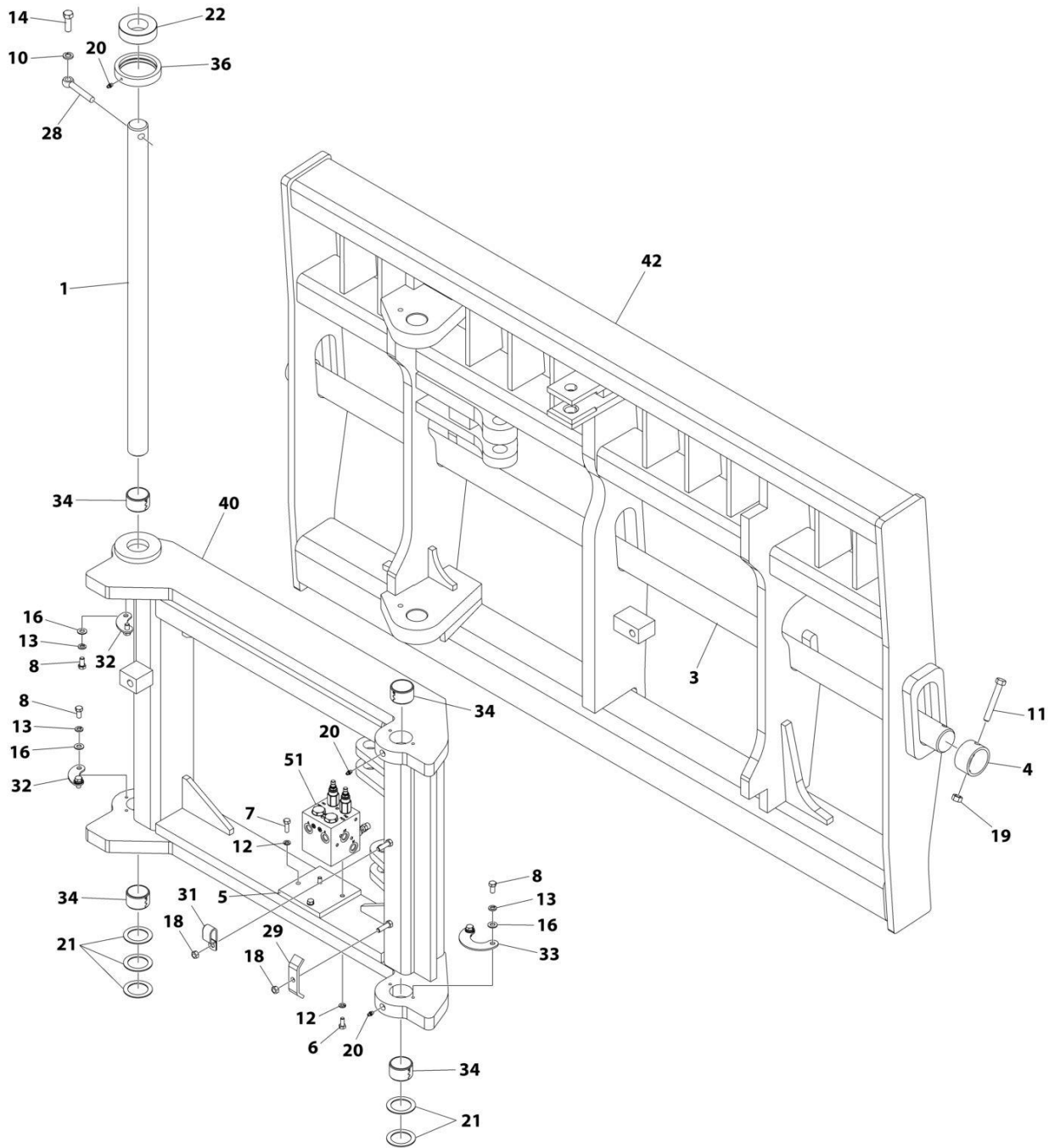
## SECTION 3 - ATTACHMENTS

### FIGURE 3-26. CARRIAGE ASSEMBLY - 72IN 90 SWING

ITEM	PART NUMBER	QTY	DESCRIPTION	REV
	1001095418	Ref	CARRIAGE ASSEMBLY - SWING (72 INCH)	T
1	2220415	4	Fitting, Straight ORFS	
2	2220473	2	Fitting, 90 ORFS	
4	1001211139	2	Adapter, 90	
5	1001103182	2	Swing Carriage Cylinder (See Separate Breakdown in HYDRAULIC COMPONENTS Section)	
6	2717287	2	Hose	
7	3423276	1	Pin	
11	6604662	2	Hose	
12	7062922	1	Washer	
13	See Note	NSS	Pivot (Note: Purchase Complete Assembly)	
14	7110702	2	Pin	
15	7110712	1	Pin	
16	7110722	2	Pin	
17	8065062	2	Bushing	
18	8303634	5	Bolt 5/8 x 4	
19	8303715	3	Bolt 5/16 x 1-1/2	
20	8305643	5	Nut 5/8	
21	8307904	AR	Washer	
22	8307918	AR	Washer	
23	8310160	AR	Washer	
24	8310161	AR	Washer	
25	8420053	1	Cap	
26	8420055	1	Plug	
27	8580315	2	Plug	
28	8584001	5	Tie Wrap	
29	8642207	4	Ring, Retaining	
30	8769132	2	Clamp	
31	8770016	2	Fitting, Straight ORFS	
32	90200003	2	Collar	
33	91403413	1	Fitting, Straight ORFS	
34	91403414	1	Fitting, Straight	
35	See Note	NSS	Carriage (Note: Purchase Complete Assembly)	
36	See Note	NSS	SN Plate (Note: Stamped Part - Not Available for Purchase)	
37	1001110704	1	Decal, Warning Crushing Hazard	
38	1001111190	2	Decal, Warning	
39	4811400	2	Washer M4	
40	0760405	2	Bolt M4 x 10	
41	1001227670	1	Tag - RFID	

# SECTION 3 - ATTACHMENTS

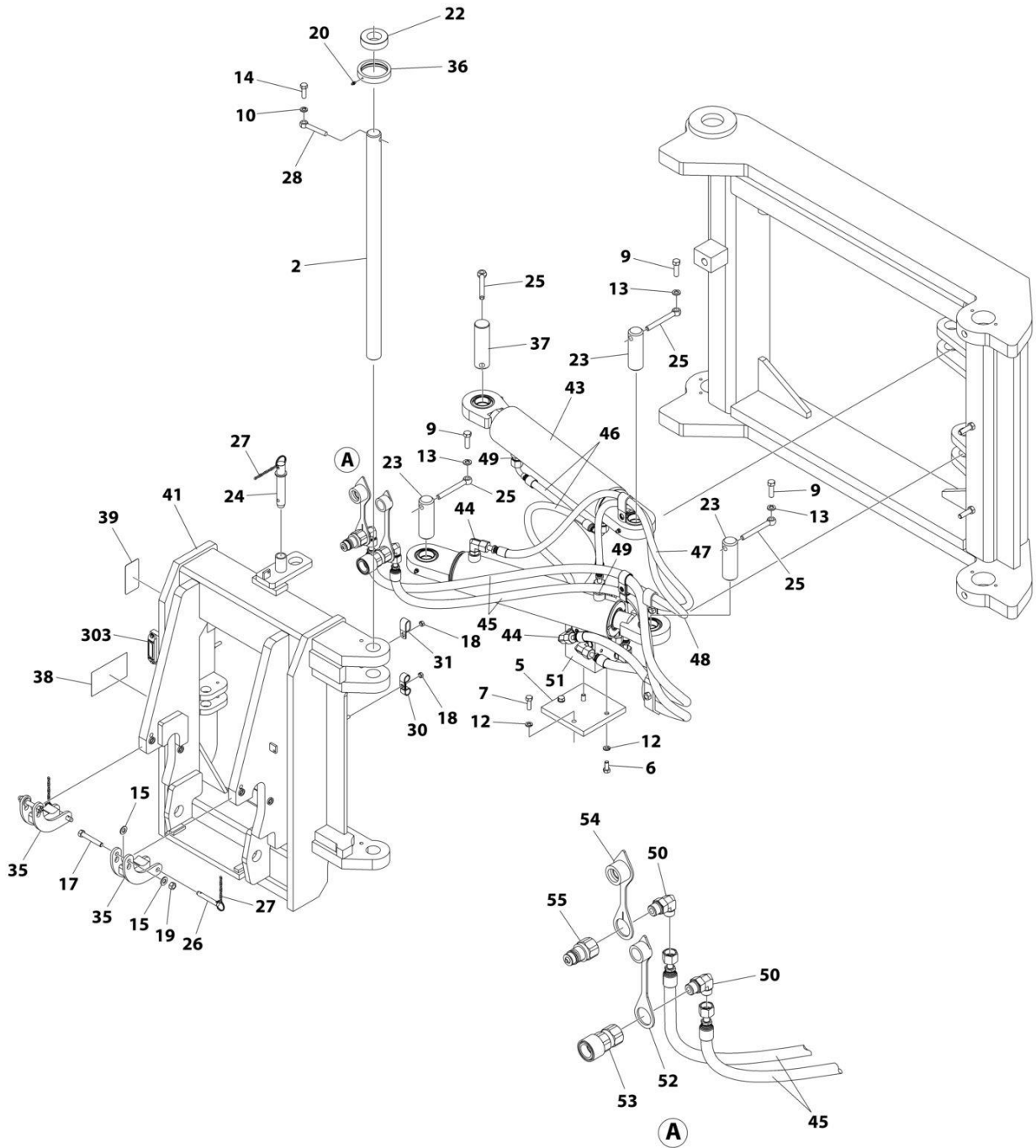
## FIGURE 3-27. CARRIAGE ASSEMBLY - SWING (180)



ART\_1001238627\_C\_10F3

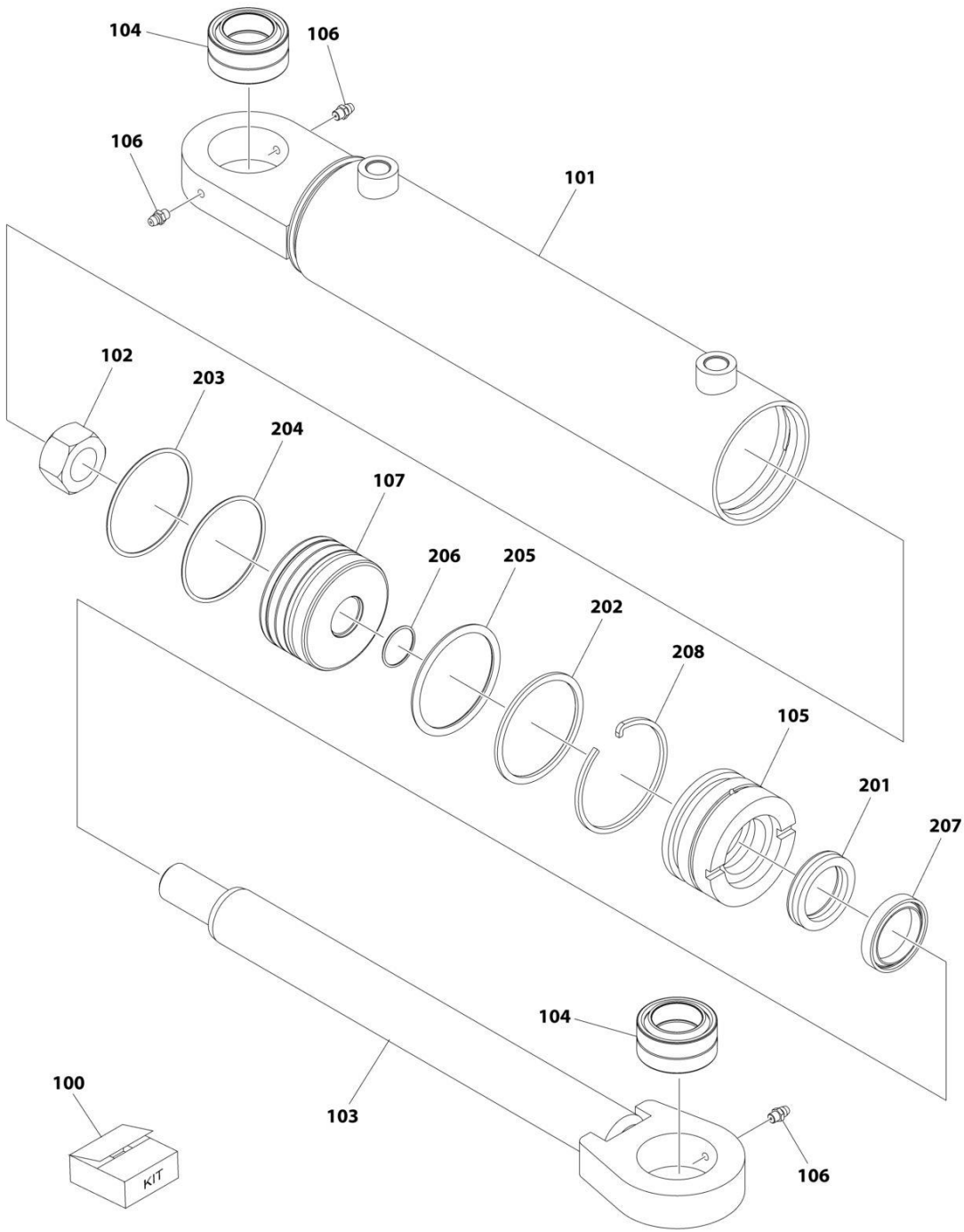


# SECTION 3 - ATTACHMENTS



ART\_1001238627\_C\_20F3

# SECTION 3 - ATTACHMENTS



ART\_1001238627\_C\_3OF3

## SECTION 3 - ATTACHMENTS

### FIGURE 3-27. CARRIAGE ASSEMBLY - SWING (180)

ITEM	PART NUMBER	QTY	DESCRIPTION	REV
	1001238627	Ref	SWING CARRIAGE 180	C
1	70020025	1	Pin	
2	70020026	1	Pin	
3	70020027	1	Pin Fork	
4	70020028	2	Fork Pin Retainer	
5	70029481	1	Plate	
6	70027773	2	Bolt	
7	70029478	2	Bolt	
8	7029997	6	Bolt	
9	70021429	4	Bolt	
10	90554020	2	Washer	
11	70020002	2	Bolt	
12	90554067	4	Washer	
13	90554042	10	Washer	
14	70021382	2	Bolt	
15	70021338	4	Washer	
16	7029703	6	Washer	
17	70029701	2	Bolt	
18	70021367	4	Nut	
19	70027642	4	Nut	
20	90554045	4	Zerk, Grease	
21	90554040	5	Washer	
22	90554024	2	Bearing	
23	90554044	3	Pin	
24	90554026	1	Pin	
25	90554043	4	Pin, Rod End	
26	90554035	2	Pin	
27	90554025	3	Chain, #12 Jack	
28	90554021	1	Pin, Rod End	
29	90554039	1	Hose Clamp	
30	7029996	2	Clamp, Hose	
31	70029480	2	Clamp, Hose	
32	70027644	2	Retainer, Bearing	
33	70027645	1	Retainer, Bearing	
34	70020015	4	Bearing	
35	90554027	2	Pin Support Wmt	
36	70020017	2	Spacer	
37	70022530	1	Pin	
38	1001110704	1	Decal, Warning	
39	N.S.S.	1	Serial Tag	
40	N.S.S.	1	Middle Frame	
41	N.S.S.	1	Rear Frame	
42	N.S.S.	1	Front Frame	
43	70027641	2	Cylinder Assy (includes items 100 thru 107)	
44	70028525	7	Elbow, 90	
45	70029702	2	Hose	
46	70029556	2	Hose	
47	70029554	1	Hose	
48	70029553	1	Hose	
49	70028486	3	Fitting Straight	

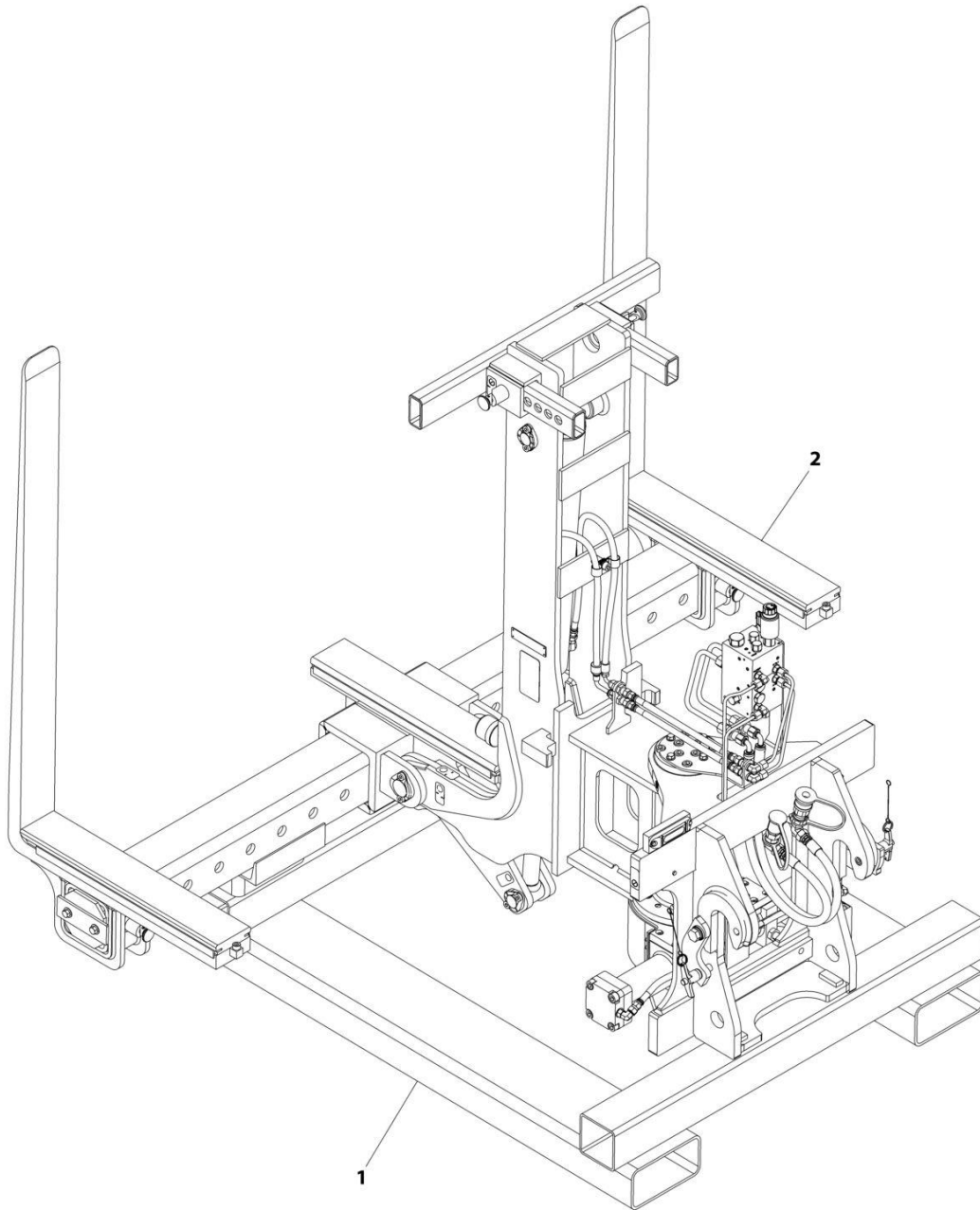
## SECTION 3 - ATTACHMENTS

ITEM	PART NUMBER	QTY	DESCRIPTION	REV
50	70028526	2	Elbow, 90	
51	70029479	1	Valve	
52	8420055	1	Dust Plug, Female	
53	91403413	1	Hyd Couplier, Female	
54	8420053	1	Dust Cap, Male	
55	91403414	1	Hyd Couplier, Male	
100	70027649	1	Cylinder Seal Kit (includes items 201 thru 208)	
101	N.S.S.	1	Cylinder Tube Weldment	
102	70021440	1	Nut	
103	70021442	1	Cylinder Rod Weldment	
104	90554046	2	Bearing	
105	70021443	1	Cylinder Gland	
106	90554045	3	Grease Zerk	
107	70027647	1	Cylinder Piston	
201	Kit	1	Polypack	
202	Kit	1	Back-Up	
203	Kit	1	O-Ring	
204	Kit	1	O-Ring	
205	Kit	1	O-Ring	
206	Kit	1	O-Ring	
207	Kit	1	Rod Wiper	
208	Kit	1	Retainer, Gland	
303	1001227670	1	Tag, RFID	



# SECTION 3 - ATTACHMENTS

FIGURE 3-28. CARRIAGE INSTALLATION - DRYWALL SWING



ART\_1001246022\_B

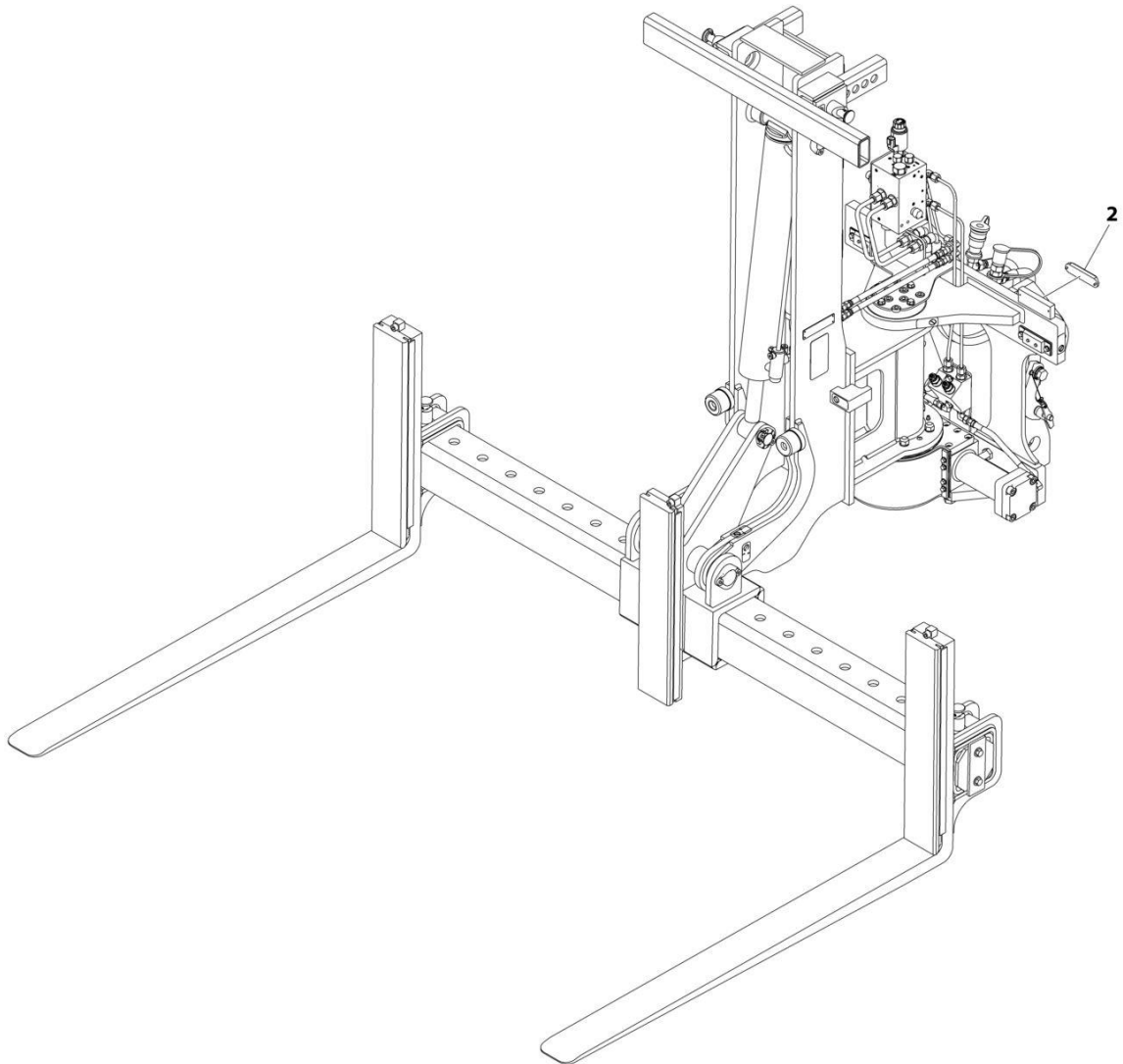
## SECTION 3 - ATTACHMENTS

**FIGURE 3-28. CARRIAGE INSTALLATION - DRYWALL SWING**

ITEM	PART NUMBER	QTY	DESCRIPTION	REV
	1001246022	Ref	DRYWALL SWING CARRIAGE INSTALLATION	B
1	1001243214	1	Drywall Cradle	
2	1001230765	1	Rotating Drywall Carriage (See Separate Breakdown in this Section)	

# SECTION 3 - ATTACHMENTS

FIGURE 3-29. CARRIAGE ASSEMBLY - DRYWALL ROTATING CARRIAGE



ART\_1001230765\_D



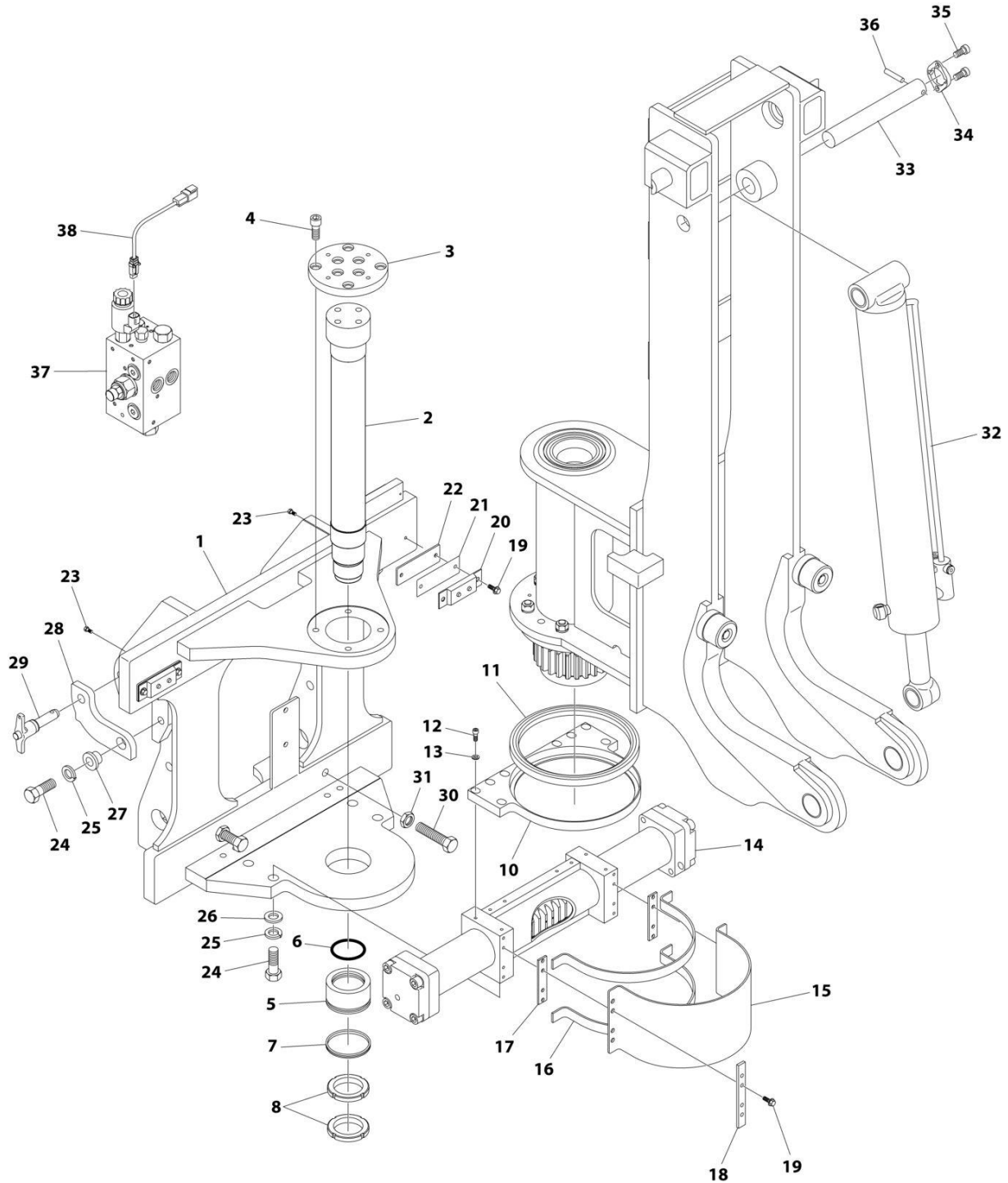
## SECTION 3 - ATTACHMENTS

**FIGURE 3-29. CARRIAGE ASSEMBLY - DRYWALL ROTATING CARRIAGE**

ITEM	PART NUMBER	QTY	DESCRIPTION	REV
	1001230765	Ref	ROTATING DRYWALL CARRIAGE	D
		Ref	Drywall Board Handler (See Separate Breakdown in this Section)	
		Ref	Drywall Pivot Frame Group (See Separate Breakdown in this Section)	
		Ref	Drywall Cylinder (See Separate Breakdown in this Section)	
		Ref	Drywall Hydraulic Group (See Separate Breakdown in this Section)	
		Ref	Drywall Valve Assembly (See Separate Breakdown in this Section)	
		Ref	Drywall Cylinder (See Separate Breakdown in this Section)	
		Ref	Drywall Fork Group (See Separate Breakdown in this Section)	
2	1001227670	1	Tag, RFID	

# SECTION 3 - ATTACHMENTS

## FIGURE 3-30. CARRIAGE ASSEMBLY - DRYWALL BOARD HANDLER



ART\_1001230765\_1

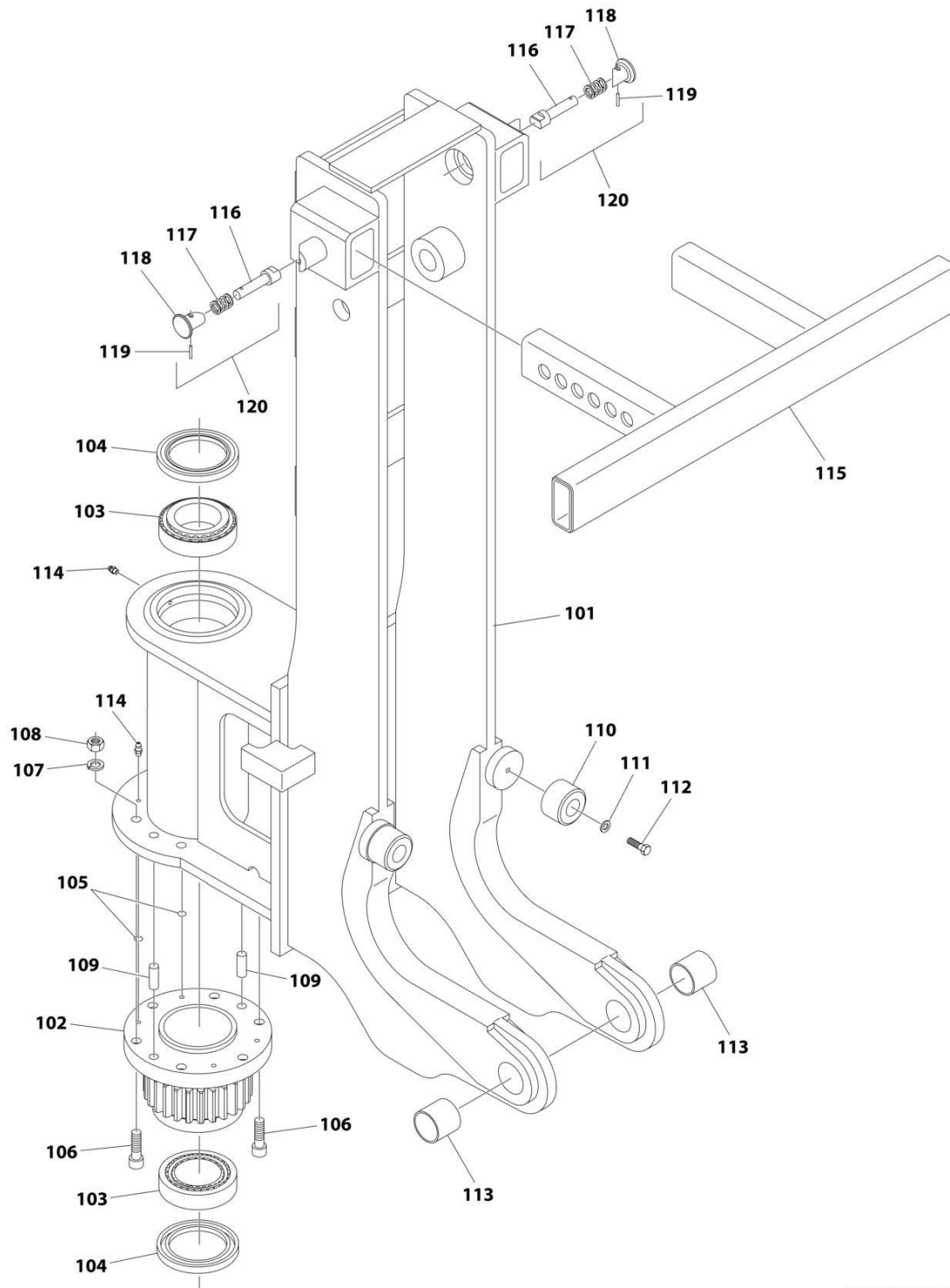
## SECTION 3 - ATTACHMENTS

**FIGURE 3-30. CARRIAGE ASSEMBLY - DRYWALL BOARD HANDLER**

ITEM	PART NUMBER	QTY	DESCRIPTION	REV
1	70029608	1	Carriage, Hook Mount	
2	70029609	1	Pivot Shaft	
3	70029610	1	Cap	
4	70029611	8	Screw	
5	70029612	1	Spacer	
6	70029613	1	O-Ring	
7	70029614	1	Dual Seal	
8	70029615	2	Locknut	
10	70029616	1	Upper Housing Assembly	
11	70029648	1	Shaft Seal	
12	70029617	8	Screw	
13	70026480	8	Washer	
14	70029586	1	Cylinder Assembly (See Separate Breakdown in this Section)	
15	70029618	1	Cover Assembly (includes Items 16 & 17)	
16	N.S.S.	2	Gasket	
17	N.S.S.	2	Gasket	
18	70029619	2	Plate	
19	70029620	12	Screw	
20	70029621	2	Cushion	
21	70029622	AR	Shim	
22	70029623	AR	Shim	
23	70029624	2	Screw	
24	70024552	6	Screw	
25	70024551	6	Lockwasher	
26	70029625	4	Washer	
27	70029626	2	Shoulder Boss	
28	70029627	2	Lock Plate	
29	70029628	2	Ball Lock Pin	
30	70029629	2	Screw	
31	70029630	2	Jam Nut	
32	70029587	1	Cylinder Assembly	
33	70029631	1	Pin	
34	70028702	1	Pin Retainer	
35	70028701	2	Screw	
36	70028703	1	Grooved Pin	
37	70029595	1	Valve Assembly	
38	70029588	1	Cable Assembly	

# SECTION 3 - ATTACHMENTS

## FIGURE 3-31. CARRIAGE ASSEMBLY - DRYWALL PIVOT FRAME GROUP



ART\_1001230765\_2

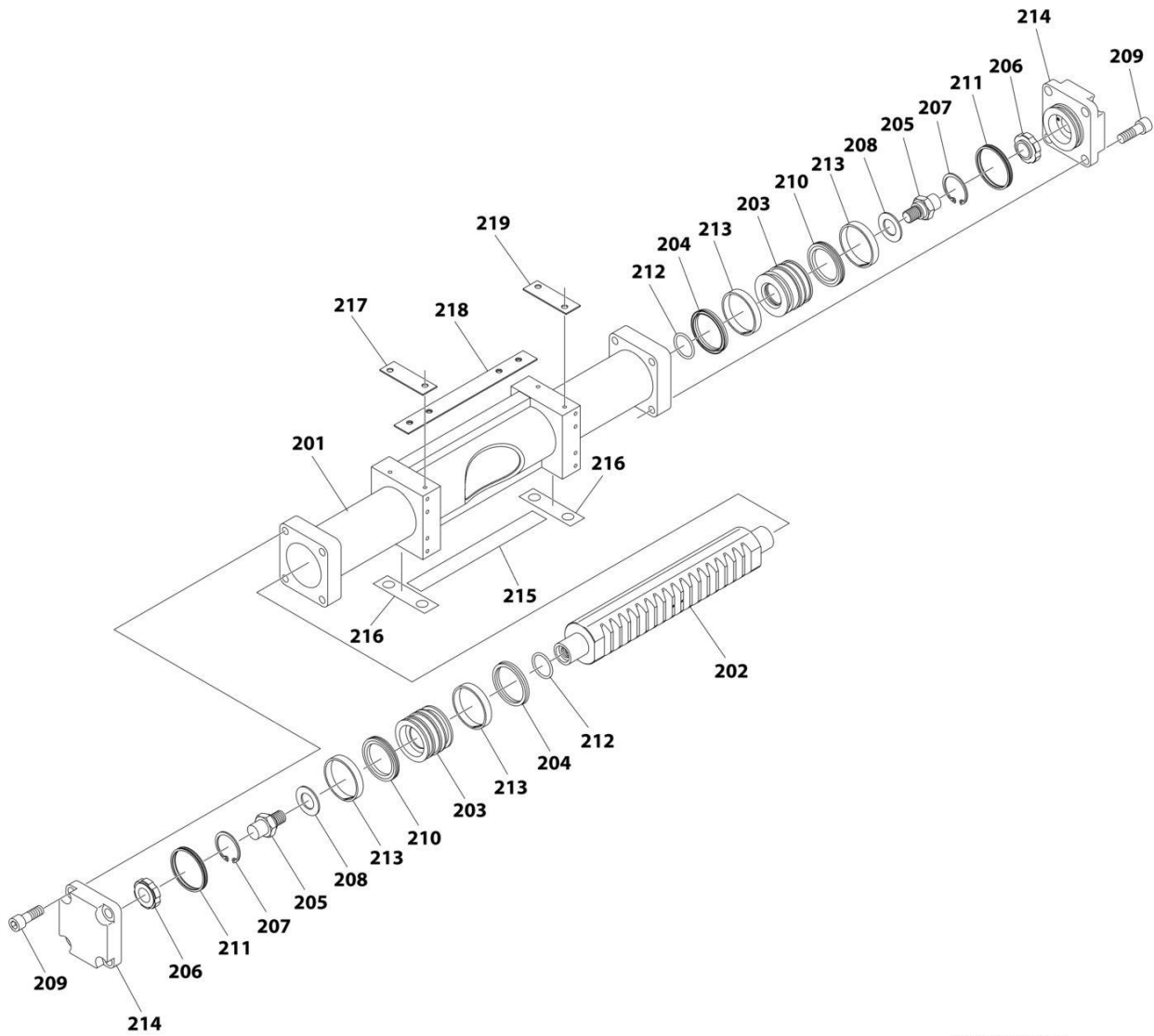
## SECTION 3 - ATTACHMENTS

**FIGURE 3-31. CARRIAGE ASSEMBLY - DRYWALL PIVOT FRAME GROUP**

ITEM	PART NUMBER	QTY	DESCRIPTION	REV
101	70029632	1	Pivot Frame	
102	70029633	1	Pinion Gear	
103	70029634	2	Bearing	
104	70029635	2	Shaft Seal	
105	70029636	2	O-Ring	
106	70024684	6	Screw	
107	70029637	6	Lockwasher	
108	70029638	6	Nut	
109	70029639	2	Dowel Pin	
110	70029640	2	Bumper	
111	70024721	2	Washer, M8	
112	70029641	2	Screw	
113	70029642	2	Bearing	
114	70024679	3	Grease Fitting	
115	70029643	1	Load Support	
116	70028154	1	Pin	
117	70028155	1	Spring	
118	70024759	1	Knob	
119	70024761	1	Spring Pin	
120	70028153	2	Pin Kit (includes Items 116 thru 119)	

# SECTION 3 - ATTACHMENTS

## FIGURE 3-32. CARRIAGE ASSEMBLY - DRYWALL CYLINDER



ART\_1001230765\_3

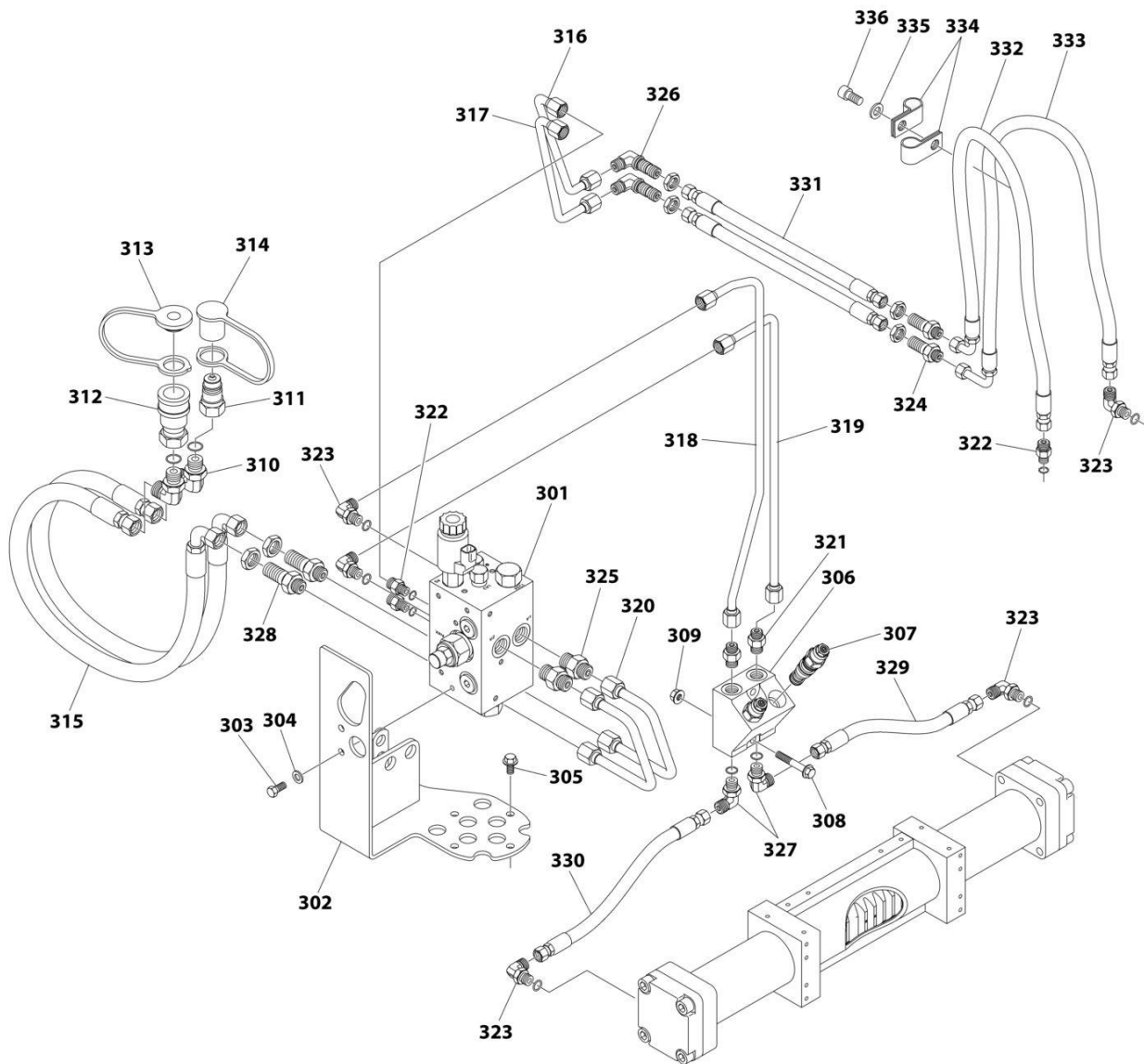
## SECTION 3 - ATTACHMENTS

**FIGURE 3-32. CARRIAGE ASSEMBLY - DRYWALL CYLINDER**

ITEM	PART NUMBER	QTY	DESCRIPTION	REV
201	N.S.S.	1	Barrel	
202	70029644	1	Rod	
203	70029645	3	Piston	
204	70029646	2	Wiper	
205	70029681	2	Cushion Spear	
206	70029682	2	Cushion	
207	70029683	2	Retaining Ring	
208	70029684	2	Washer	
209	70029685	8	Screw	
210	70029686	2	Piston Seal	
211	70029687	2	Dual Seal	
212	70029688	2	O-Ring	
213	70029689	4	Wear Ring	
214	70029690	2	End Cap	
215	70029691	1	Gasket Tape	
216	70029692	2	Gasket Tape	
217	70029693	1	Gasket, RH	
218	70029694	1	Gasket, Rear	
219	70029695	1	Gasket, LH	

# SECTION 3 - ATTACHMENTS

## FIGURE 3-33. CARRIAGE ASSEMBLY - DRYWALL HYDRAULIC GROUP



ART\_1001230765\_4



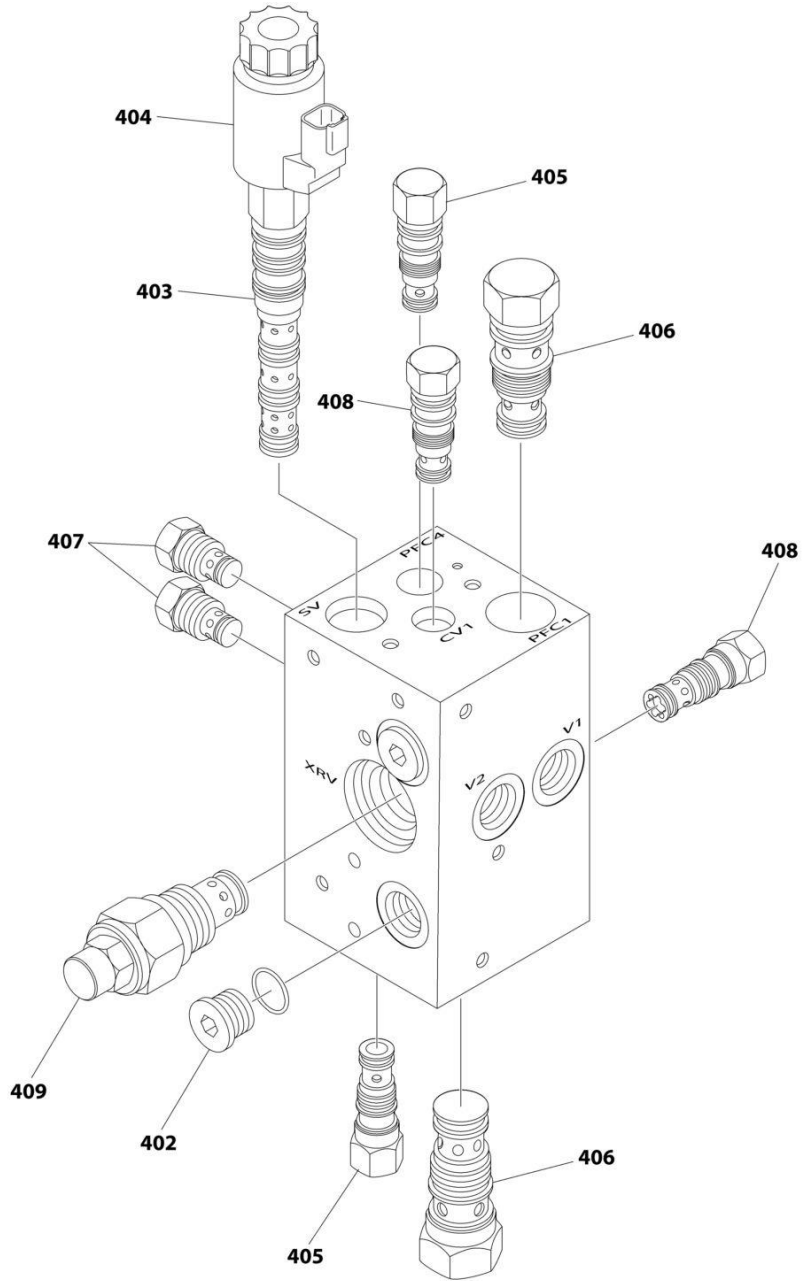
## SECTION 3 - ATTACHMENTS

**FIGURE 3-33. CARRIAGE ASSEMBLY - DRYWALL HYDRAULIC GROUP**

ITEM	PART NUMBER	QTY	DESCRIPTION	REV
301	70029595	1	Valve Assembly	
302	70029659	1	Valve Mounting Bracket	
303	70028130	2	Screw	
304	70024721	2	Washer	
305	70029660	4	Bolt	
306	70029661	1	Inline Valve Body	
307	70029662	2	Cartridge, Counterbalance	
308	70029663	2	Screw	
309	70029664	2	Nut	
310	70024127	2	Adapter	
311	91403414	1	Quick Disconnect, Male	
312	91403413	1	Quick Disconnect, Female	
313	8420055	1	Dust Cap	
314	8420053	1	Dust Plug	
315	70029665	2	Hose	
316	70029666	1	Tube	
317	70029667	1	Tube	
318	70029668	1	Tube	
319	70029669	1	Tube	
320	70029670	2	Tube	
321	70029671	2	Fitting	
322	70029672	3	Fitting	
323	70029673	5	Fitting	
324	70028768	2	Fitting	
325	70029674	2	Fitting	
326	70029675	2	Fitting	
327	70028661	2	Fitting	
328	70023000	2	Bulkhead Union Elbow	
329	70029676	1	Hose, 310 mm	
330	70029677	1	Hose, 255 mm	
331	70029678	2	Hose, 340 mm	
332	70029679	1	Hose, 800 mm	
333	70029680	1	Hose, 805 mm	
334	70026481	2	Hose Clamp	
335	70026482	1	Washer	
336	70028672	1	Screw	

# SECTION 3 - ATTACHMENTS

## FIGURE 3-34. CARRIAGE ASSEMBLY - DRYWALL VALVE ASSEMBLY



ART\_1001230765\_5

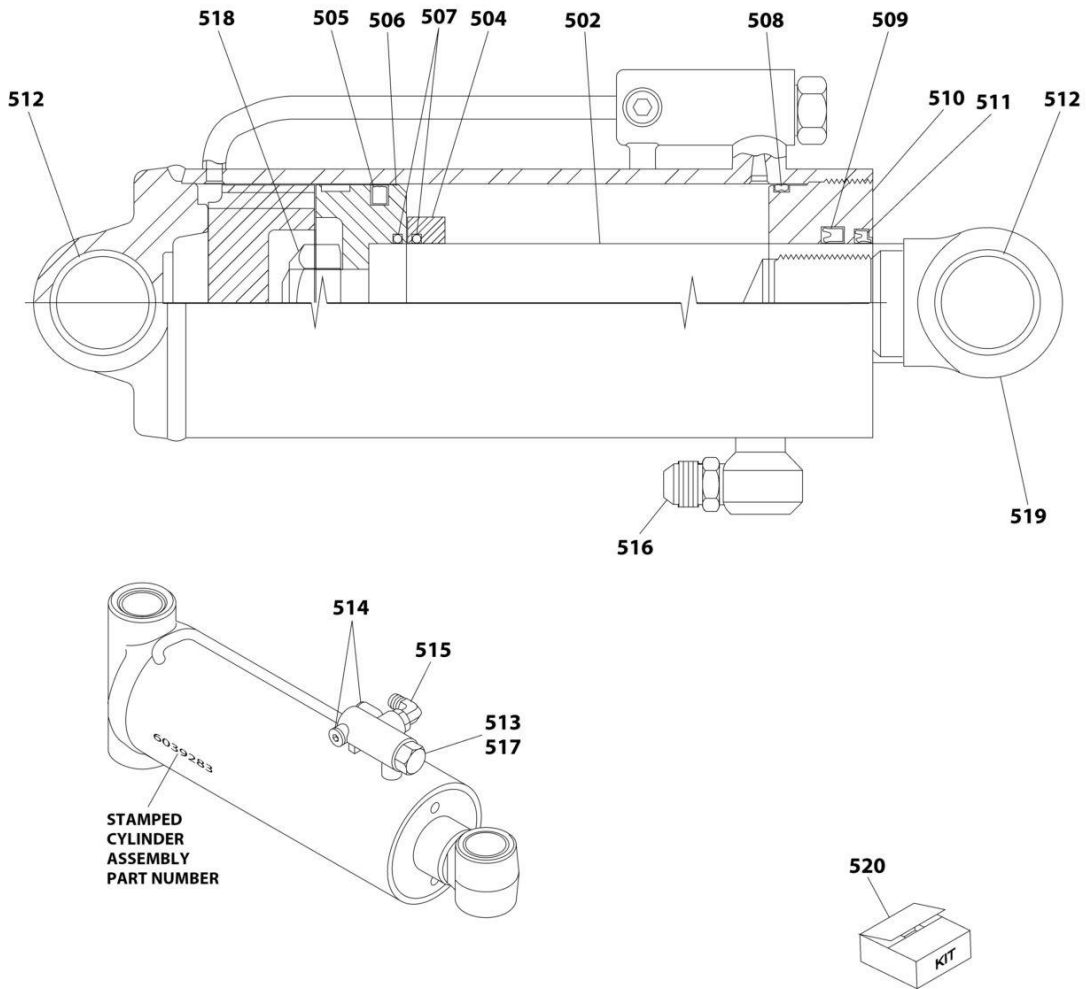
## SECTION 3 - ATTACHMENTS

**FIGURE 3-34. CARRIAGE ASSEMBLY - DRYWALL VALVE ASSEMBLY**

ITEM	PART NUMBER	QTY	DESCRIPTION	REV
402	70028119	2	Plug	
403	70029596	1	Cartridge, Directional Control	
404	70029597	1	Coil, 12V	
405	70029598	2	Cartridge, Flow Control	
406	70029599	2	Cartridge, Flow Control	
407	70029600	2	Cartridge, Check	
408	70029601	2	Cartridge, Check	
409	70029602	1	Cartridge, Pressure Control	

# SECTION 3 - ATTACHMENTS

## FIGURE 3-35. CARRIAGE ASSEMBLY - DRYWALL CYLINDER



ART\_1001230765\_6

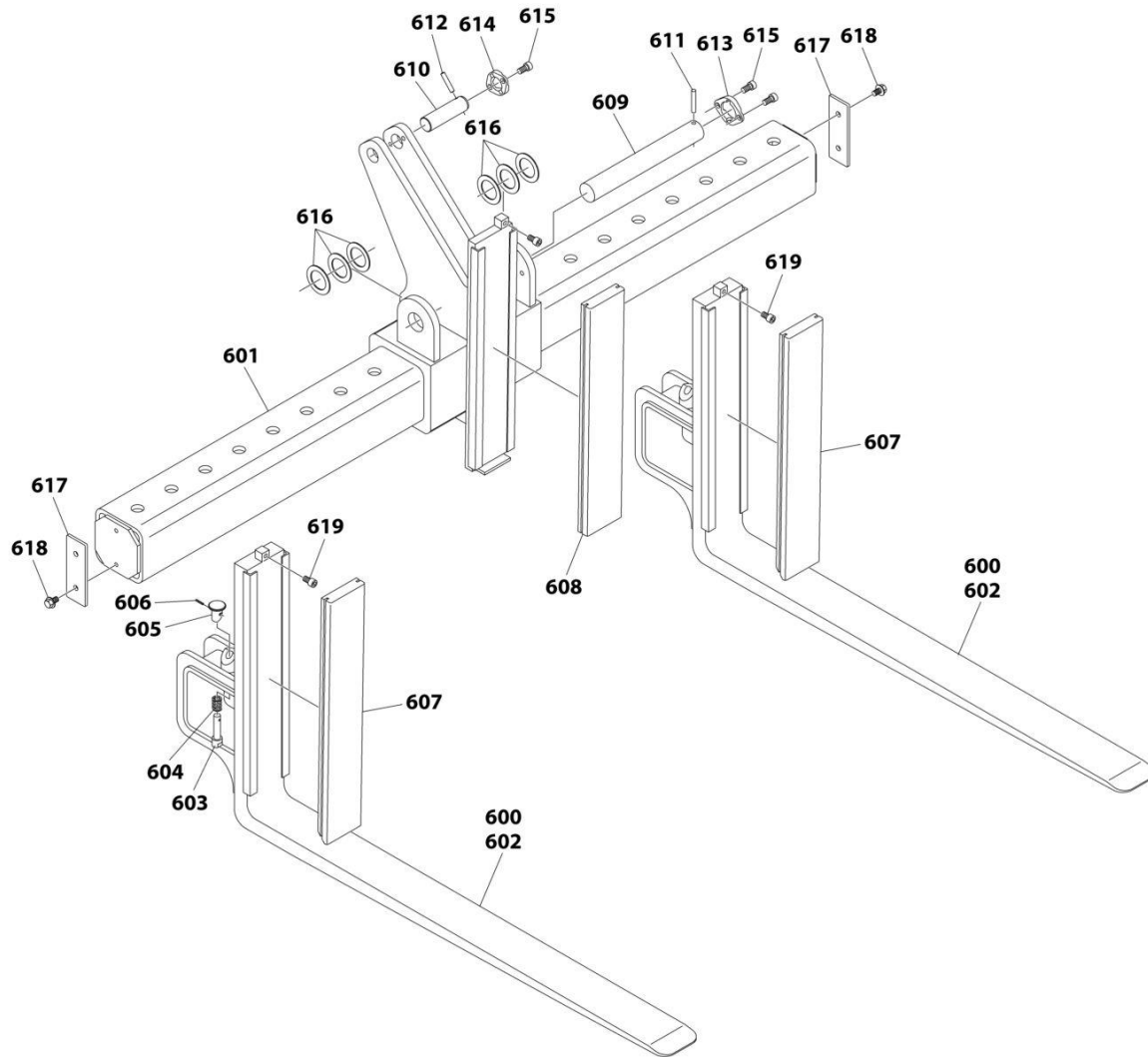
## SECTION 3 - ATTACHMENTS

**FIGURE 3-35. CARRIAGE ASSEMBLY - DRYWALL CYLINDER**

ITEM	PART NUMBER	QTY	DESCRIPTION	REV
502	70029593	1	Rod Assembly (Includes Item 512 & 519)	
504	70029603	1	Spacer, Piston	
505	N.S.S.	1	Piston Seal	
506	70029594	1	Piston	
507	N.S.S.	2	O-Ring	
508	N.S.S.	1	Dual Seal	
509	N.S.S.	1	Rod Seal	
510	70029604	1	Retainer	
511	N.S.S.	1	Rod Wiper	
512	70029605	2	Bushing	
513	70024733	1	Valve, Check	
514	70024129	2	Fitting	
515	70029606	1	Fitting	
516	70029607	1	Fitting	
517	70024734	1	Check Valve Service Kit	
518	70026503	1	Nut	
519	70029647	1	Rod End	
520	70029592	1	Service Kit, Cylinder (Includes Items 505, 507 thru 511)	

# SECTION 3 - ATTACHMENTS

## FIGURE 3-36. CARRIAGE ASSEMBLY - DRYWALL FORK GROUP



ART\_1001230765\_7

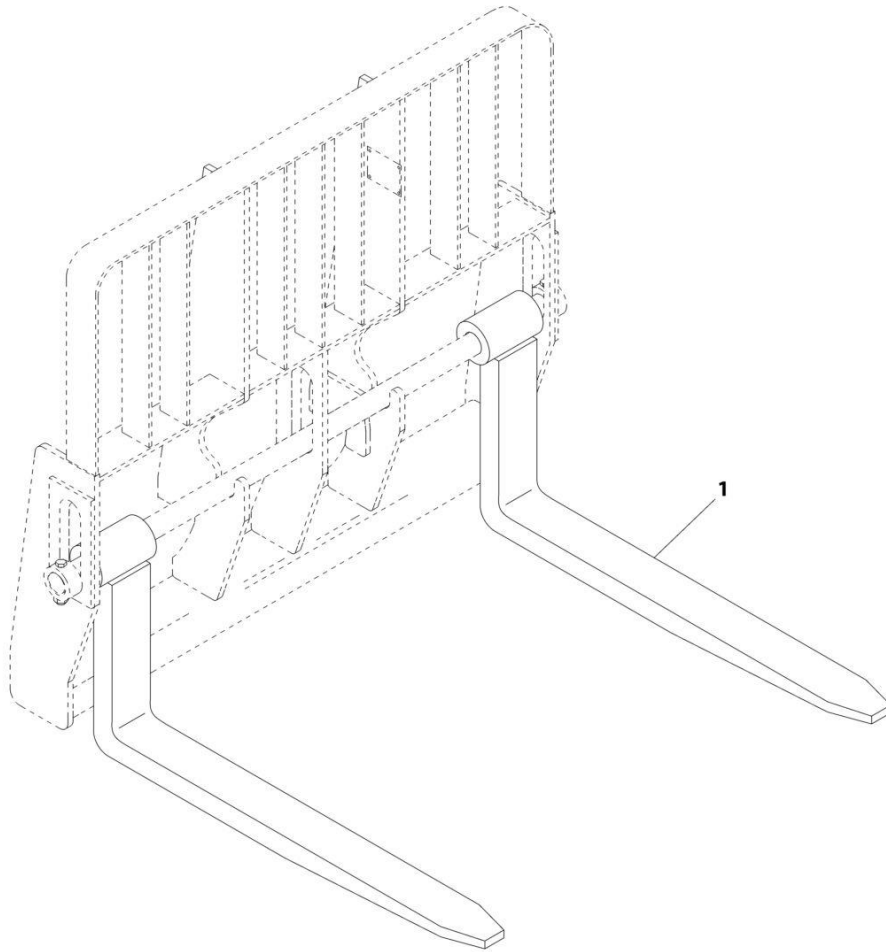
## SECTION 3 - ATTACHMENTS

### FIGURE 3-36. CARRIAGE ASSEMBLY - DRYWALL FORK GROUP

ITEM	PART NUMBER	QTY	DESCRIPTION	REV
600	70029649	2	Fork Assembly	
601	70029650	1	Fork Mount Assembly	
602	70029651	1	Fork	
	70028153	1	Pin Kit (includes Items 603 thru 606)	
603	70028154	1	Pin	
604	70028155	1	Spring	
605	70024759	1	Knob	
606	70024761	1	Spring Pin	
607	70029652	2	Bumper	
608	70029653	1	Bumper	
609	70029654	1	Pin	
610	70029655	1	Pin	
611	70028706	1	Pin	
612	70028703	1	Pin	
613	70028707	1	Retainer	
614	70028702	1	Retainer	
615	70028701	4	Bolt	
616	70028708	6	Shim	
617	70029656	2	Retainer	
618	70029657	4	Screw	
619	70029658	3	Screw	

# SECTION 3 - ATTACHMENTS

FIGURE 3-37. FORK - 1.6INX6INX60IN LUMBER FORK



ART\_1001099457-C



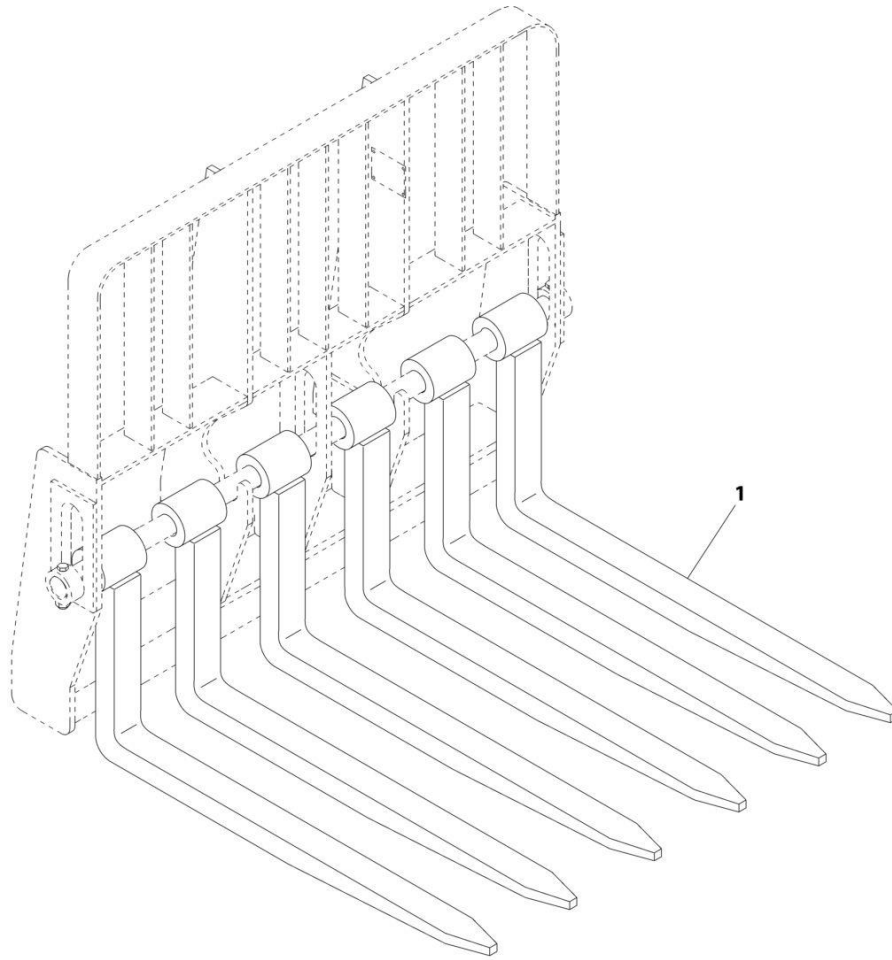
## SECTION 3 - ATTACHMENTS

**FIGURE 3-37. FORK - 1.6INX6INX60INLUMBER FORK**

ITEM	PART NUMBER	QTY	DESCRIPTION	REV
1	1001099457	2	Lumber Fork (1.5X6X60)	C
	Note	Ref	<b>FORKS RATED LESS THAN THE ATTACHMENT OR MACHINE'S CAPACITY DECREASES CAPACITY OF THE ATTACHMENT OR MACHINE TO THAT OF THE FORKS. FORKS RATED MORE THAN THE ATTACHMENT OR MACHINE'S CAPACITY DO NOT INCREASE ATTACHMENT OR MACHINE'S CAPACITY.</b>	
	Note	Ref	<b>PLEASE CONSULT JLG PARTS DEPARTMENT TO DETERMINE THE CORRECT FORKS APPLICABLE TO YOUR SPECIFIC CARRIAGE ASSEMBLY AND APPLICATION.</b>	

# SECTION 3 - ATTACHMENTS

FIGURE 3-38. FORK - 2INX2INX48IN BLOCK FORK



ART\_2340037

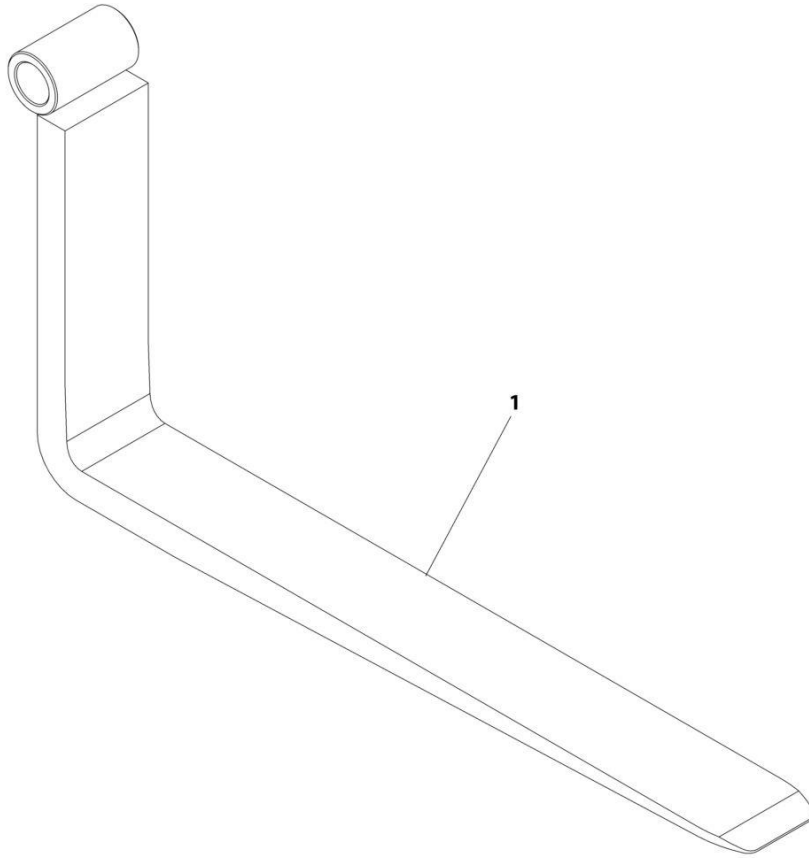
## SECTION 3 - ATTACHMENTS

**FIGURE 3-38. FORK - 2INX2INX48IN BLOCK FORK**

ITEM	PART NUMBER	QTY	DESCRIPTION	REV
1	2340037	1	Cubing Fork (2.00X2X48)	A
	Note	Ref	<b>FORKS RATED LESS THAN THE ATTACHMENT OR MACHINE'S CAPACITY DECREASES CAPACITY OF THE ATTACHMENT OR MACHINE TO THAT OF THE FORKS. FORKS RATED MORE THAN THE ATTACHMENT OR MACHINE'S CAPACITY DO NOT INCREASE ATTACHMENT OR MACHINE'S CAPACITY.</b>	
	Note	Ref	<b>PLEASE CONSULT JLG PARTS DEPARTMENT TO DETERMINE THE CORRECT FORKS APPLICABLE TO YOUR SPECIFIC CARRIAGE ASSEMBLY AND APPLICATION.</b>	

# SECTION 3 - ATTACHMENTS

FIGURE 3-39. FORK - 2INX6INX48IN TAPERED FORK



ART\_1001258605

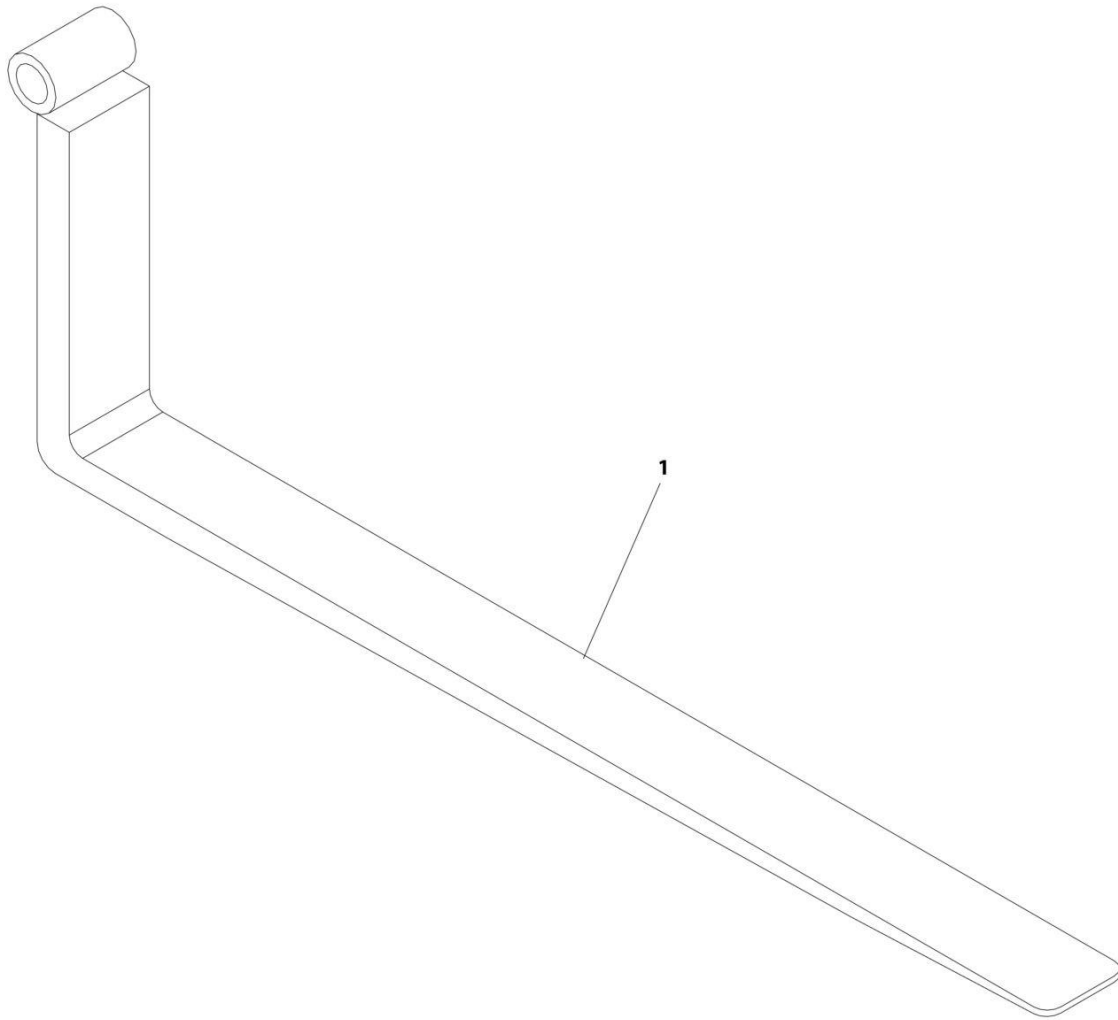
## SECTION 3 - ATTACHMENTS

**FIGURE 3-39. FORK - 2INX6INX48IN TAPERED FORK**

ITEM	PART NUMBER	QTY	DESCRIPTION	REV
1	1001258605	2	Fork - Pallet (2.00X6X48)	A
N1	Note	Ref	FORKS RATED LESS THAN THE ATTACHMENT OR MACHINE'S CAPACITY DECREASES CAPACITY OF THE ATTACHMENT OR MACHINE TO THAT OF THE FORKS. FORKS RATED MORE THAN THE ATTACHMENT OR MACHINE'S CAPACITY DO NOT INCREASE ATTACHMENT OR MACHINE'S CAPACITY.	
N2	Note	Ref	PLEASE CONSULT JLG PARTS DEPARTMENT TO DETERMINE THE CORRECT FORKS APPLICABLE TO YOUR SPECIFIC CARRIAGE ASSEMBLY AND APPLICATION.	

# SECTION 3 - ATTACHMENTS

FIGURE 3-40. FORK - 2INX6INX72IN LUMBER FORK



ART\_1001259206

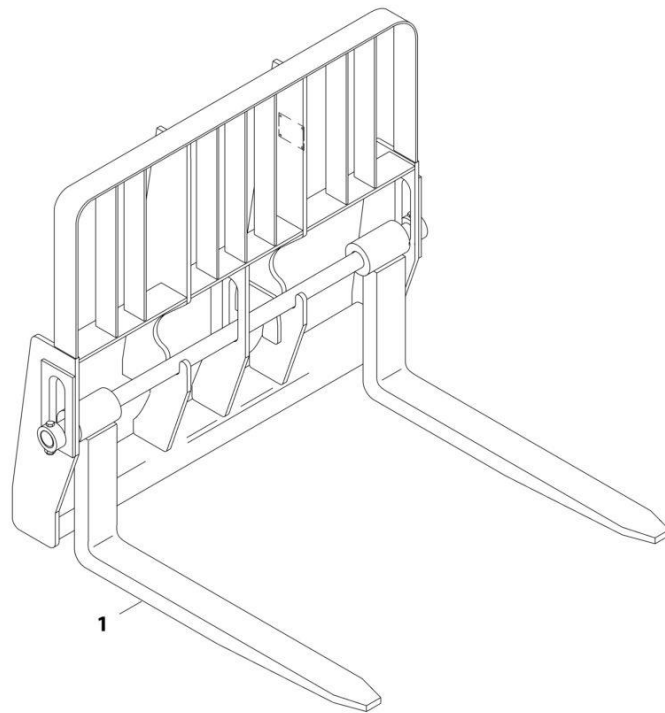
## SECTION 3 - ATTACHMENTS

**FIGURE 3-40. FORK - 2INX6INX72IN LUMBER FORK**

ITEM	PART NUMBER	QTY	DESCRIPTION	REV
1	1001259206	2	Dual Taper Fork (2.00X6X72)	A
	Note	Ref	FORKS RATED LESS THAN THE ATTACHMENT OR MACHINE'S CAPACITY DECREASES CAPACITY OF THE ATTACHMENT OR MACHINE TO THAT OF THE FORKS. FORKS RATED MORE THAN THE ATTACHMENT OR MACHINE'S CAPACITY DO NOT INCREASE ATTACHMENT OR MACHINE'S CAPACITY.	
	Note	Ref	PLEASE CONSULT JLG PARTS DEPARTMENT TO DETERMINE THE CORRECT FORKS APPLICABLE TO YOUR SPECIFIC CARRIAGE ASSEMBLY AND APPLICATION.	

# SECTION 3 - ATTACHMENTS

FIGURE 3-41. FORK - 2INX7INX60IN LUMBER FORK



ART\_1001097110-A



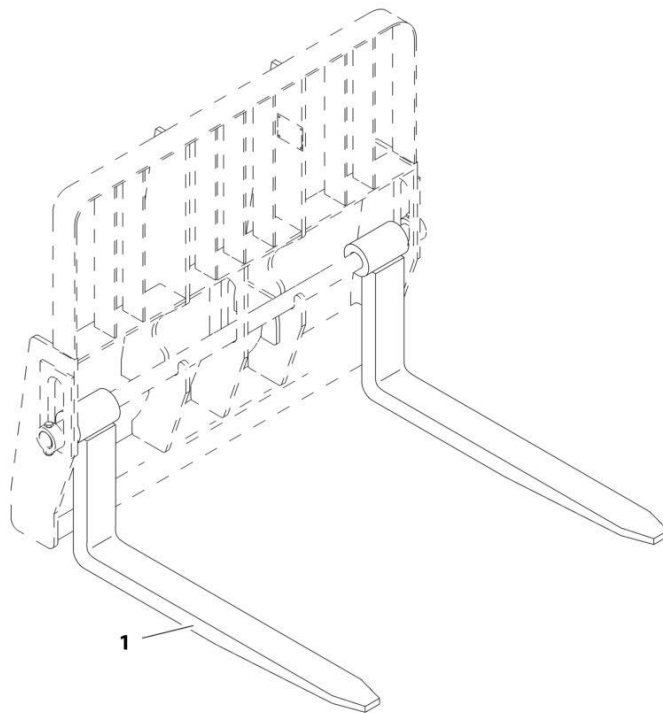
## SECTION 3 - ATTACHMENTS

**FIGURE 3-41. FORK - 2INX7INX60INLUMBER FORK**

ITEM	PART NUMBER	QTY	DESCRIPTION	REV
1	1001097110	2	Lumber Fork (2.00X7X60)	A
	Note	Ref	<b>FORKS RATED LESS THAN THE ATTACHMENT OR MACHINE'S CAPACITY DECREASES CAPACITY OF THE ATTACHMENT OR MACHINE TO THAT OF THE FORKS. FORKS RATED MORE THAN THE ATTACHMENT OR MACHINE'S CAPACITY DO NOT INCREASE ATTACHMENT OR MACHINE'S CAPACITY.</b>	
	Note	Ref	<b>PLEASE CONSULT JLG PARTS DEPARTMENT TO DETERMINE THE CORRECT FORKS APPLICABLE TO YOUR SPECIFIC CARRIAGE ASSEMBLY AND APPLICATION.</b>	

# SECTION 3 - ATTACHMENTS

## FIGURE 3-42. FORK - 2.36INX4INX48IN PALLET FORK



ART\_2340045

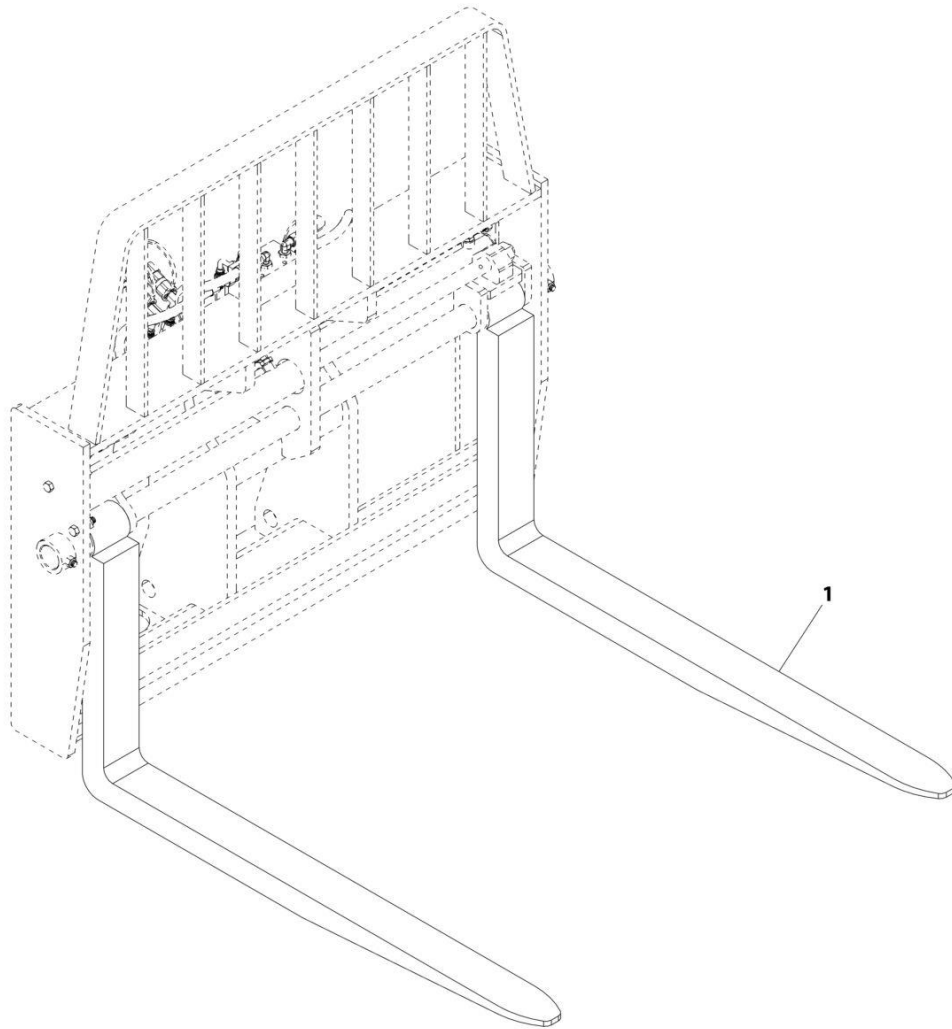
## SECTION 3 - ATTACHMENTS

**FIGURE 3-42. FORK - 2.36INX4INX48IN PALLET FORK**

ITEM	PART NUMBER	QTY	DESCRIPTION	REV
1	2340045	2	Pallet Fork (2.36X4X48)	
	Note	Ref	<b>FORKS RATED LESS THAN THE ATTACHMENT OR MACHINE'S CAPACITY DECREASES CAPACITY OF THE ATTACHMENT OR MACHINE TO THAT OF THE FORKS. FORKS RATED MORE THAN THE ATTACHMENT OR MACHINE'S CAPACITY DO NOT INCREASE ATTACHMENT OR MACHINE'S CAPACITY.</b>	
	Note	Ref	<b>PLEASE CONSULT JLG PARTS DEPARTMENT TO DETERMINE THE CORRECT FORKS APPLICABLE TO YOUR SPECIFIC CARRIAGE ASSEMBLY AND APPLICATION.</b>	

# SECTION 3 - ATTACHMENTS

FIGURE 3-43. FORK - 2.36INX4INX48IN PALLET FORK (DUAL:FORK POSITIONING)



ART\_7301408

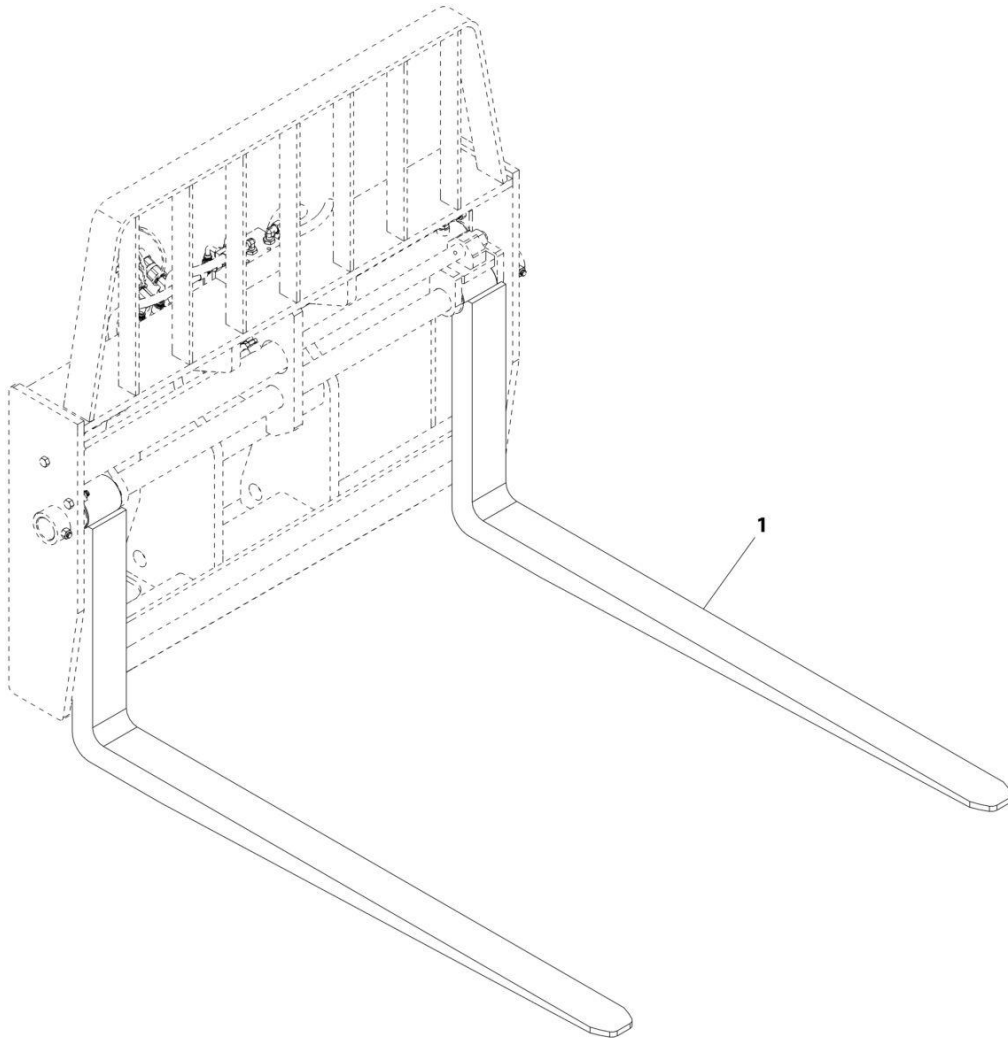
## SECTION 3 - ATTACHMENTS

**FIGURE 3-43. FORK - 2.36INX4INX48IN PALLET FORK (DUAL:FORK POSITIONING)**

ITEM	PART NUMBER	QTY	DESCRIPTION	REV
1	7301408	2	Pallet Fork (2.36X4X48)	D
N1	Note	Ref	<b>FORKS RATED LESS THAN THE ATTACHMENT OR MACHINE'S CAPACITY DECREASES CAPACITY OF THE ATTACHMENT OR MACHINE TO THAT OF THE FORKS. FORKS RATED MORE THAN THE ATTACHMENT OR MACHINE'S CAPACITY DO NOT INCREASE ATTACHMENT OR MACHINE'S CAPACITY.</b>	
N2	Note	Ref	<b>PLEASE CONSULT JLG PARTS DEPARTMENT TO DETERMINE THE CORRECT FORKS APPLICABLE TO YOUR SPECIFIC CARRIAGE ASSEMBLY AND APPLICATION.</b>	

## SECTION 3 - ATTACHMENTS

FIGURE 3-44. FORK - 2.36INX4INX60IN PALLET FORK (DUAL:FORK POSITIONING)



ART\_1001227379

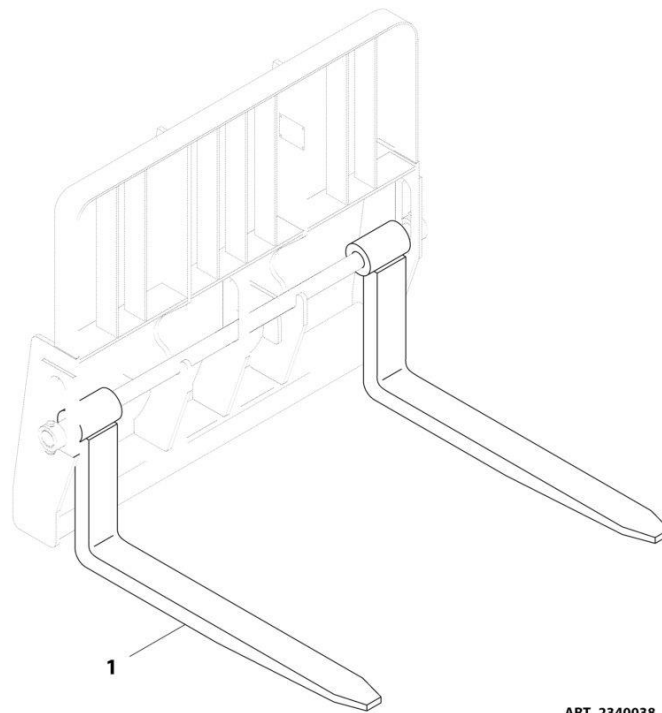
## SECTION 3 - ATTACHMENTS

**FIGURE 3-44. FORK - 2.36INX4INX60IN PALLET FORK (DUAL:FORK POSITIONING)**

ITEM	PART NUMBER	QTY	DESCRIPTION	REV
1	1001227379	2	Pallet Fork (2.36X4X60)	A
N1	Note	Ref	<b>FORKS RATED LESS THAN THE ATTACHMENT OR MACHINE'S CAPACITY DECREASES CAPACITY OF THE ATTACHMENT OR MACHINE TO THAT OF THE FORKS. FORKS RATED MORE THAN THE ATTACHMENT OR MACHINE'S CAPACITY DO NOT INCREASE ATTACHMENT OR MACHINE'S CAPACITY.</b>	
N2	Note	Ref	<b>PLEASE CONSULT JLG PARTS DEPARTMENT TO DETERMINE THE CORRECT FORKS APPLICABLE TO YOUR SPECIFIC CARRIAGE ASSEMBLY AND APPLICATION.</b>	

## SECTION 3 - ATTACHMENTS

FIGURE 3-45. FORK - 2.36INX5INX48IN PALLET FORK (WITH OR WITHOUT DUAL FORK POSITIONING)



ART\_2340038



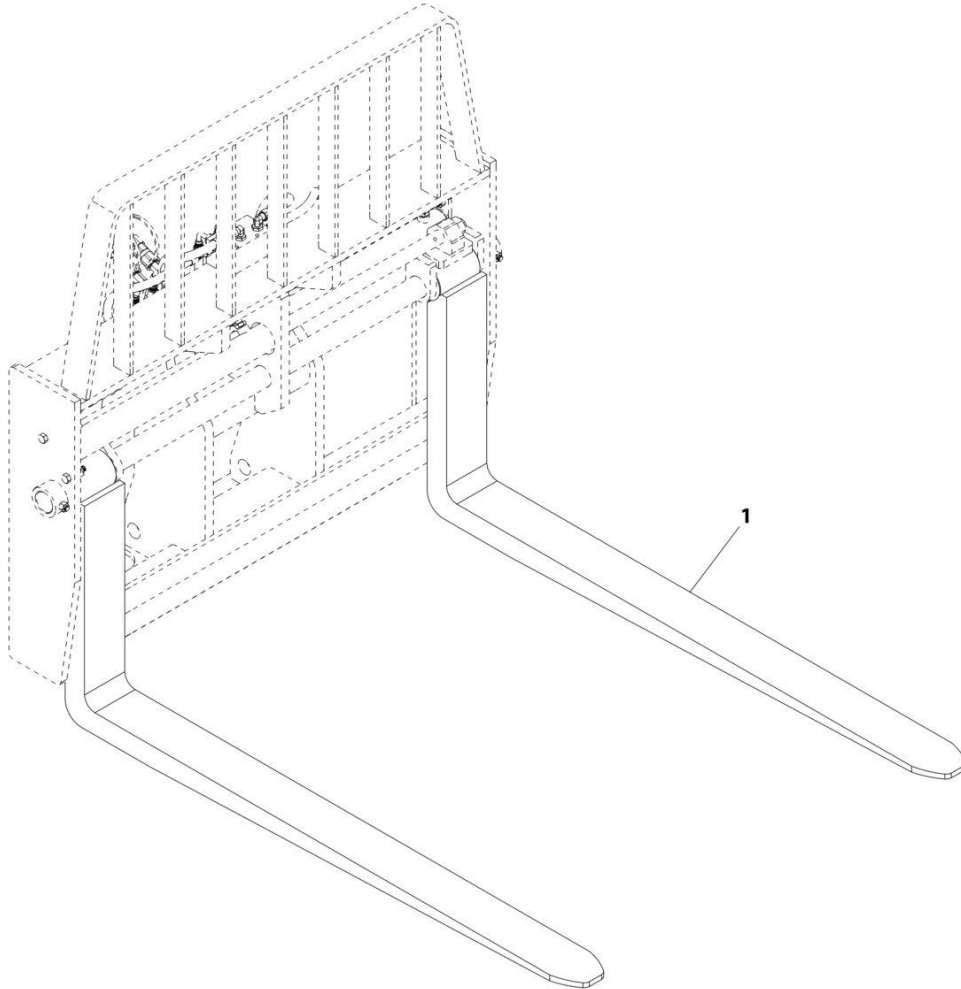
## SECTION 3 - ATTACHMENTS

**FIGURE 3-45. FORK - 2.36INX5INX48IN PALLET FORK (WITH OR WITHOUT DUAL FORK POSITIONING)**

ITEM	PART NUMBER	QTY	DESCRIPTION	REV
1	2340038	2	Pallet Fork (2.36X5X48)	B
	Note	Ref	<b>FORKS RATED LESS THAN THE ATTACHMENT OR MACHINE'S CAPACITY DECREASES CAPACITY OF THE ATTACHMENT OR MACHINE TO THAT OF THE FORKS. FORKS RATED MORE THAN THE ATTACHMENT OR MACHINE'S CAPACITY DO NOT INCREASE ATTACHMENT OR MACHINE'S CAPACITY.</b>	
	Note	Ref	<b>PLEASE CONSULT JLG PARTS DEPARTMENT TO DETERMINE THE CORRECT FORKS APPLICABLE TO YOUR SPECIFIC CARRIAGE ASSEMBLY AND APPLICATION.</b>	

## SECTION 3 - ATTACHMENTS

FIGURE 3-46. FORK - 2.36INX5INX60IN PALLET FORK (WITH OR WITHOUT DUAL FORK POSITIONING)



ART\_1001227382

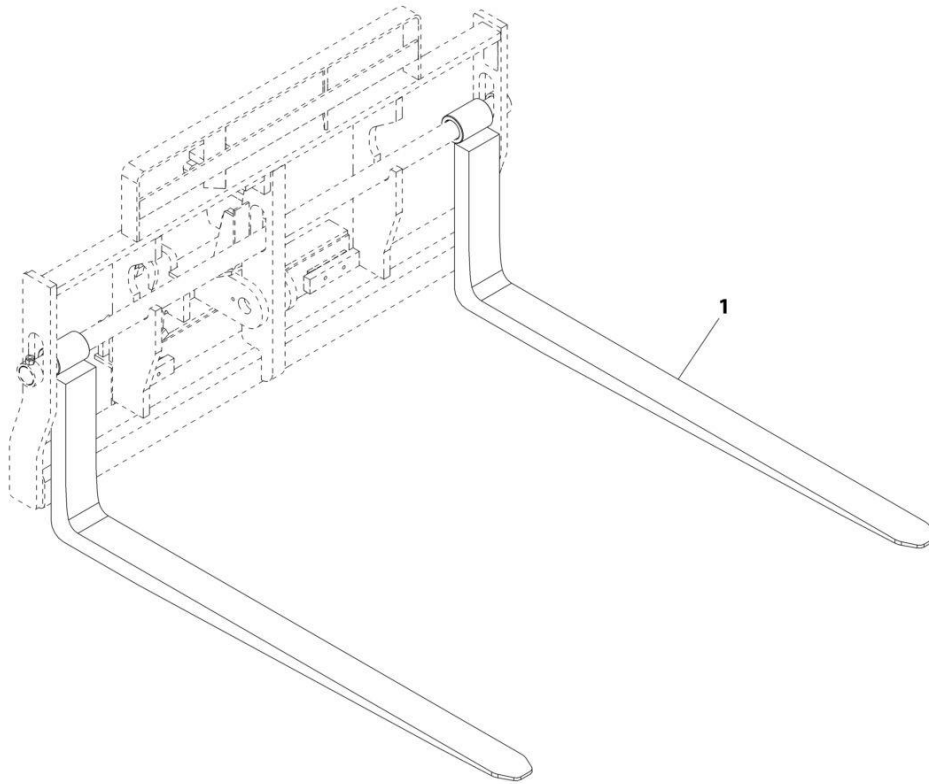
## SECTION 3 - ATTACHMENTS

**FIGURE 3-46. FORK - 2.36INX5INX60IN PALLET FORK (WITH OR WITHOUT DUAL FORK POSITIONING)**

ITEM	PART NUMBER	QTY	DESCRIPTION	REV
1	1001227382	1	Pallet Fork (2.36X5X60)	A
N1	Note	Ref	<b>FORKS RATED LESS THAN THE ATTACHMENT OR MACHINE'S CAPACITY DECREASES CAPACITY OF THE ATTACHMENT OR MACHINE TO THAT OF THE FORKS. FORKS RATED MORE THAN THE ATTACHMENT OR MACHINE'S CAPACITY DO NOT INCREASE ATTACHMENT OR MACHINE'S CAPACITY.</b>	
N2	Note	Ref	<b>PLEASE CONSULT JLG PARTS DEPARTMENT TO DETERMINE THE CORRECT FORKS APPLICABLE TO YOUR SPECIFIC CARRIAGE ASSEMBLY AND APPLICATION.</b>	

# SECTION 3 - ATTACHMENTS

FIGURE 3-47. FORK - 2.36INX5INX72IN PALLET FORK (DUAL:FORK POSITIONING)



ART\_1001232355

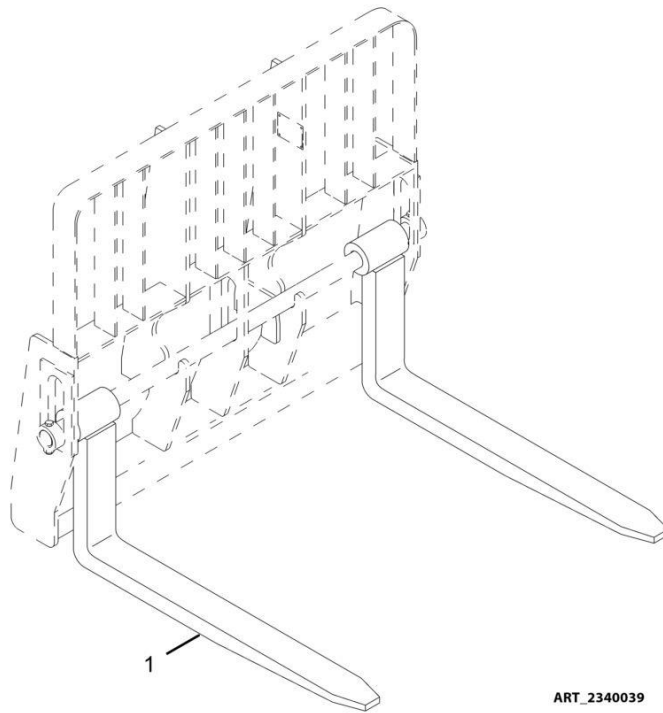
## SECTION 3 - ATTACHMENTS

**FIGURE 3-47. FORK - 2.36INX5INX72IN PALLET FORK (DUAL:FORK POSITIONING)**

ITEM	PART NUMBER	QTY	DESCRIPTION	REV
	1001232355	1 pr	Pallet Fork (2.36X5X72)	A
	Note	Ref	<b>FORKS RATED LESS THAN THE ATTACHMENT OR MACHINE'S CAPACITY DECREASES CAPACITY OF THE ATTACHMENT OR MACHINE TO THAT OF THE FORKS. FORKS RATED MORE THAN THE ATTACHMENT OR MACHINE'S CAPACITY DO NOT INCREASE ATTACHMENT OR MACHINE'S CAPACITY.</b>	
	Note	Ref	<b>PLEASE CONSULT JLG PARTS DEPARTMENT TO DETERMINE THE CORRECT FORKS APPLICABLE TO YOUR SPECIFIC CARRIAGE ASSEMBLY AND APPLICATION.</b>	

# SECTION 3 - ATTACHMENTS

FIGURE 3-48. FORK - 2.36INX6INX60IN PALLET FORK



ART\_2340039

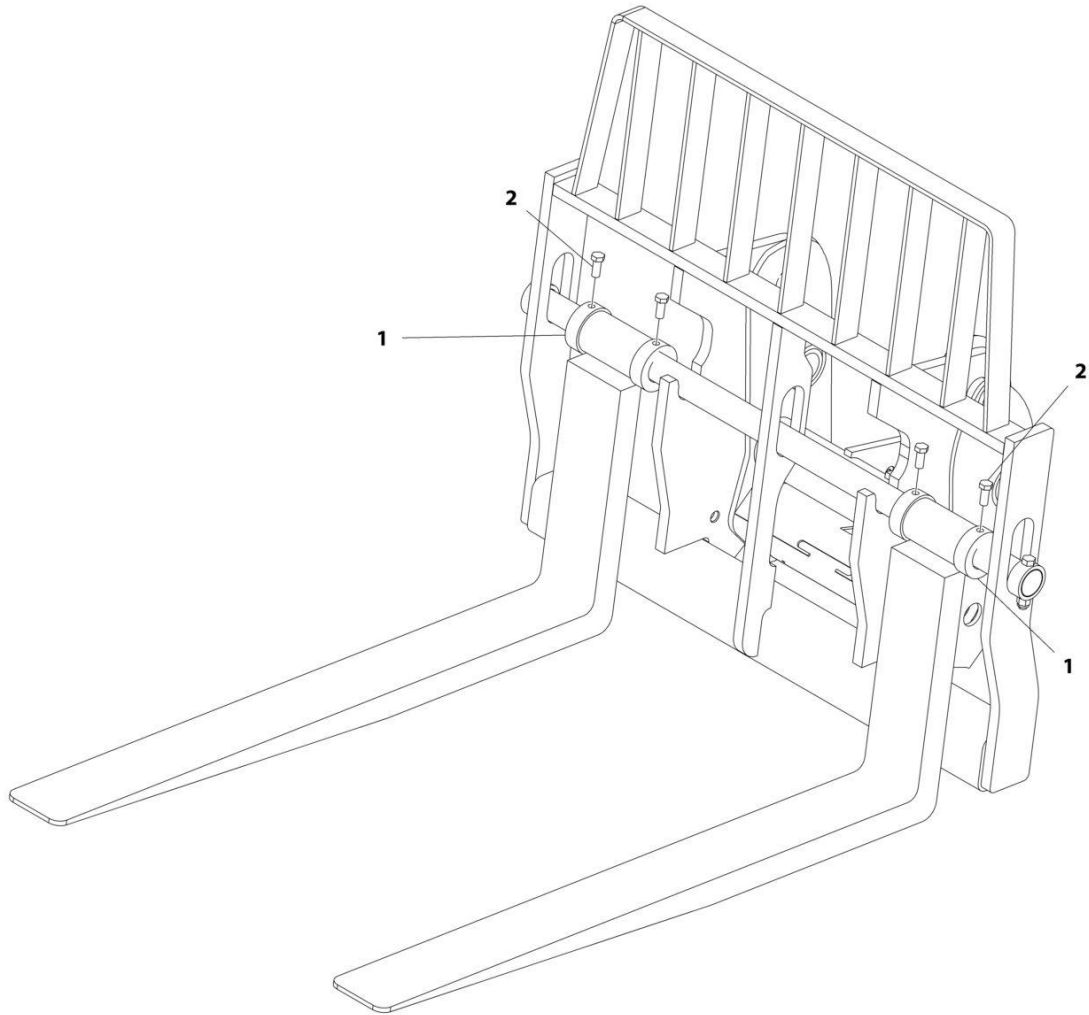
## SECTION 3 - ATTACHMENTS

**FIGURE 3-48. FORK - 2.36INX6INX60IN PALLET FORK**

ITEM	PART NUMBER	QTY	DESCRIPTION	REV
1	2340039	2	Lumber Fork (60X150X1524)	
	Note	Ref	<b>FORKS RATED LESS THAN THE ATTACHMENT OR MACHINE'S CAPACITY DECREASES CAPACITY OF THE ATTACHMENT OR MACHINE TO THAT OF THE FORKS. FORKS RATED MORE THAN THE ATTACHMENT OR MACHINE'S CAPACITY DO NOT INCREASE ATTACHMENT OR MACHINE'S CAPACITY.</b>	
	Note	Ref	<b>PLEASE CONSULT JLG PARTS DEPARTMENT TO DETERMINE THE CORRECT FORKS APPLICABLE TO YOUR SPECIFIC CARRIAGE ASSEMBLY AND APPLICATION.</b>	

# SECTION 3 - ATTACHMENTS

## FIGURE 3-49. FORK CLAMPS INSTALLATION



ART\_1001094134-A



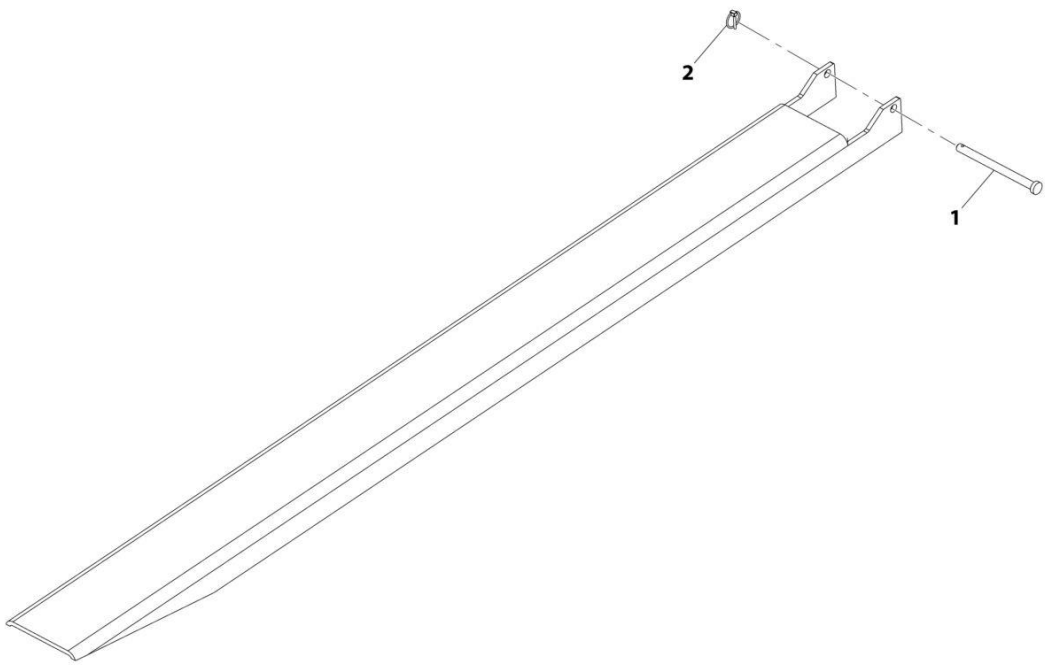
## SECTION 3 - ATTACHMENTS

### FIGURE 3-49. FORK CLAMPS INSTALLATION

ITEM	PART NUMBER	QTY	DESCRIPTION	REV
	1001094134	Ref	Fork Clamps Installation	A
1	1001094136	4	Clamp, Fork	
2	10700681	4	Bolt, 0.625-18X1.5	

# SECTION 3 - ATTACHMENTS

## FIGURE 3-50. FORK EXTENSION - 90IN



ART\_1001137512-D

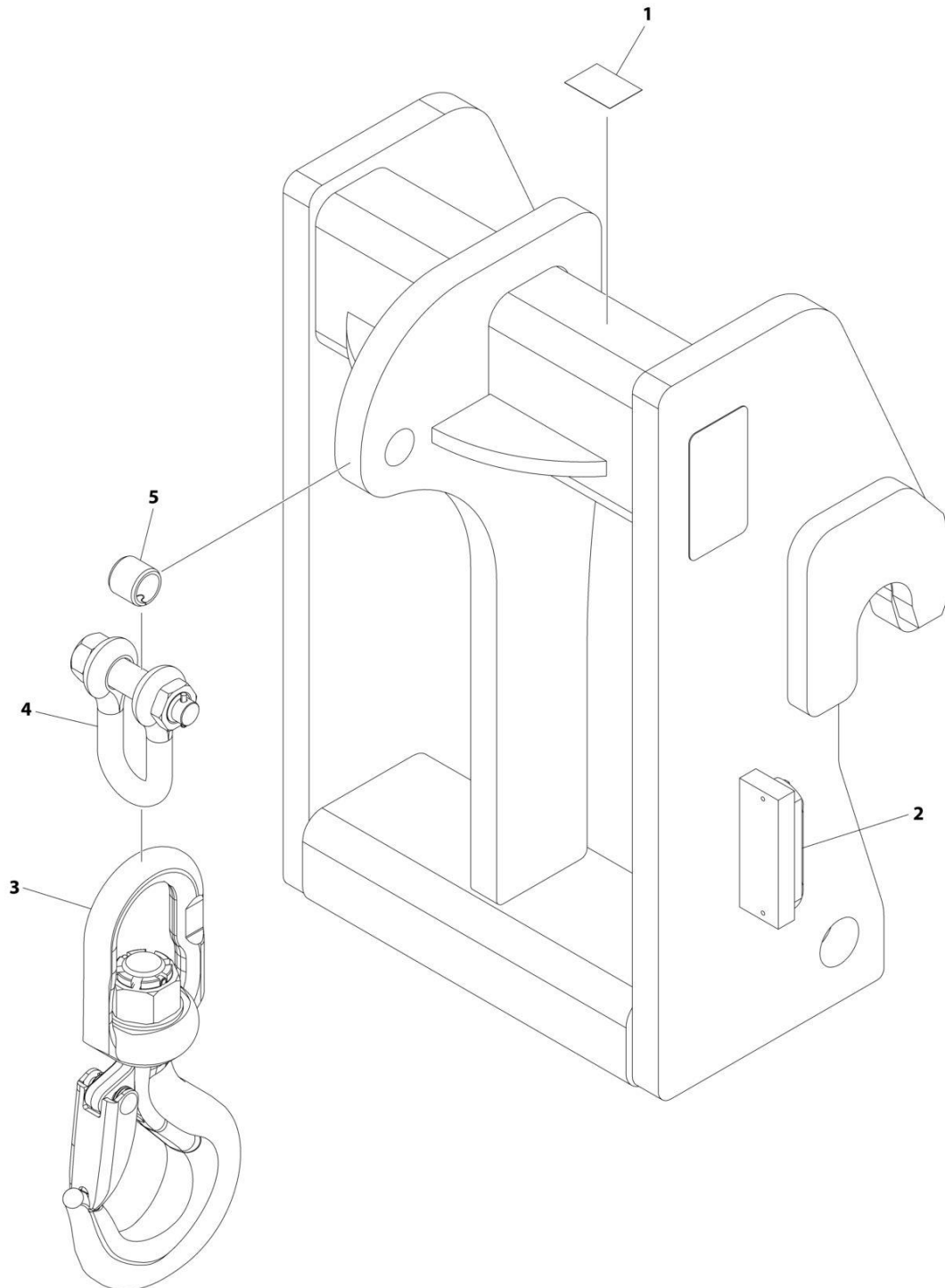
# SECTION 3 - ATTACHMENTS

## FIGURE 3-50. FORK EXTENSION - 90IN

ITEM	PART NUMBER	QTY	DESCRIPTION	REV
	1001137512	2 pr	Fork Extensions (62X163X2286)	D
1	70024306	1	Pin	
2	70024307	1	Clip	

# SECTION 3 - ATTACHMENTS

## FIGURE 3-51. HOOK - COUPLER MOUNTED



ART\_1001207606\_D

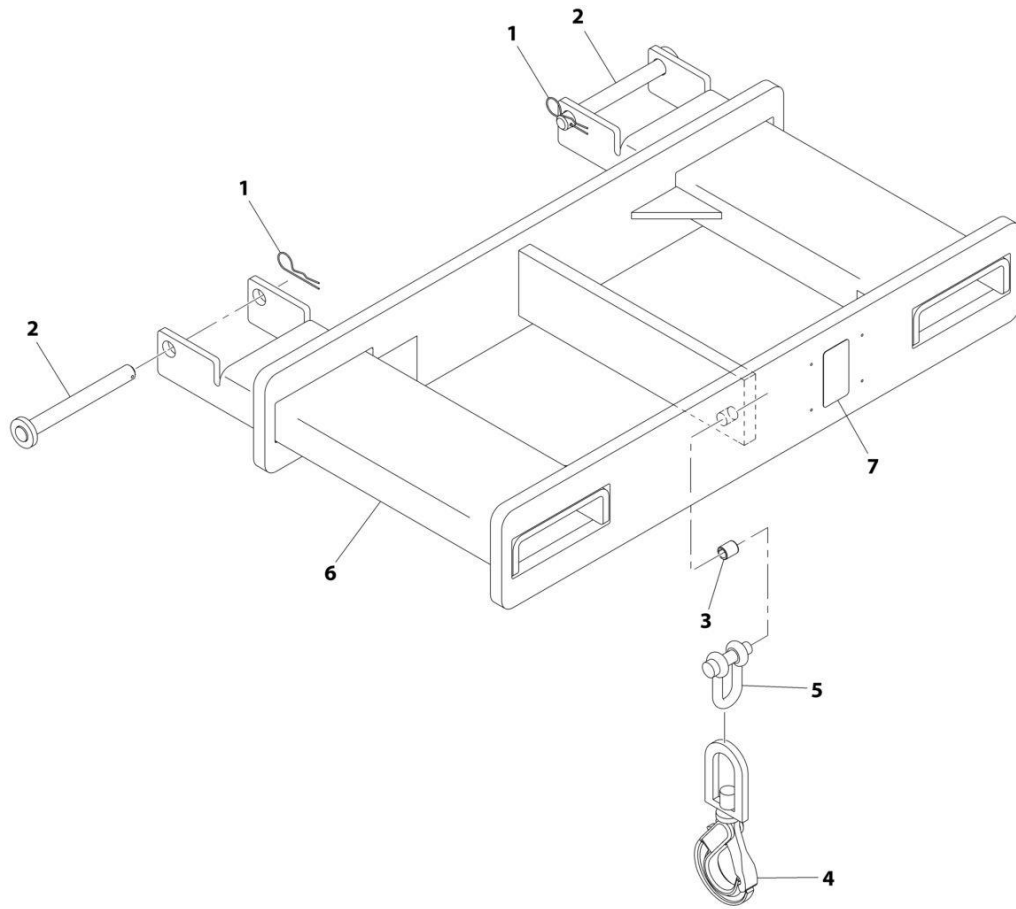
## SECTION 3 - ATTACHMENTS

### FIGURE 3-51. HOOK - COUPLER MOUNTED

ITEM	PART NUMBER	QTY	DESCRIPTION	REV
	1001207606	Ref	COUPLER MOUNTED HOOK	D
1	90554016	1	Decal	
2	1001227670	1	Tag, RFID	
3	70026745	1	Hook Swivel	
4	70026746	1	Shackle Chain	
5	70020555	1	Bushing	

# SECTION 3 - ATTACHMENTS

## FIGURE 3-52. HOOK - FORK MOUNTED



ART\_1001097205-I

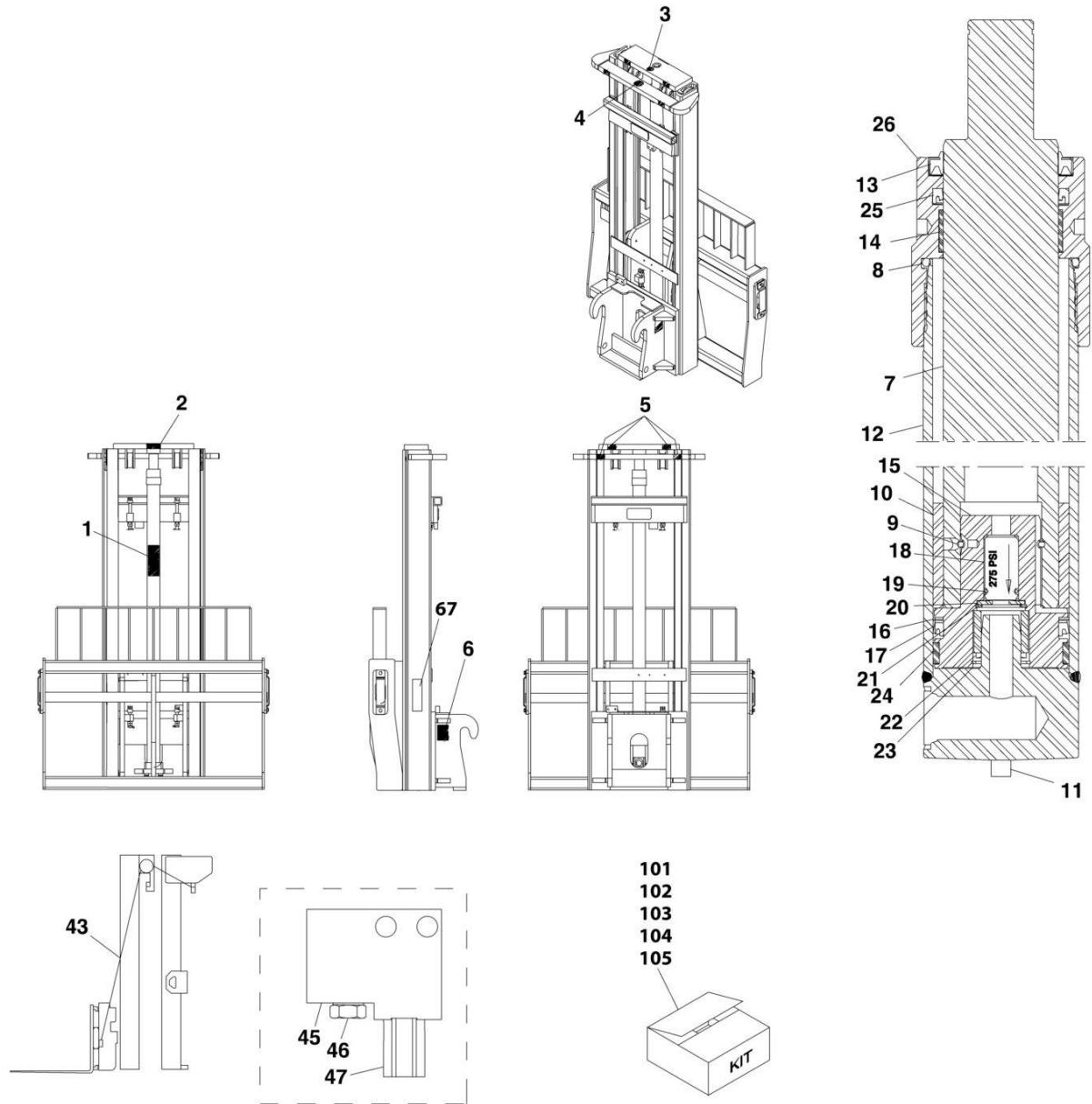
## SECTION 3 - ATTACHMENTS

### FIGURE 3-52. HOOK - FORK MOUNTED

ITEM	PART NUMBER	QTY	DESCRIPTION	REV
	1001097205	Ref	Fork Mounted Hook (4 Ton)	I
1	7029520	2	Pin, Cotter	
2	1001093171	2	Pin	
3	70020555	1	Bushing	
4	90554080	1	Hook	
5	7029521	1	Shackle	
6	See Note	NSS	Frame, Hook (Note: Purchase Complete Assembly)	
7	See Note	NSS	S/N Plate (Note: Stamped Part - Not Available for Purchase)	

# SECTION 3 - ATTACHMENTS

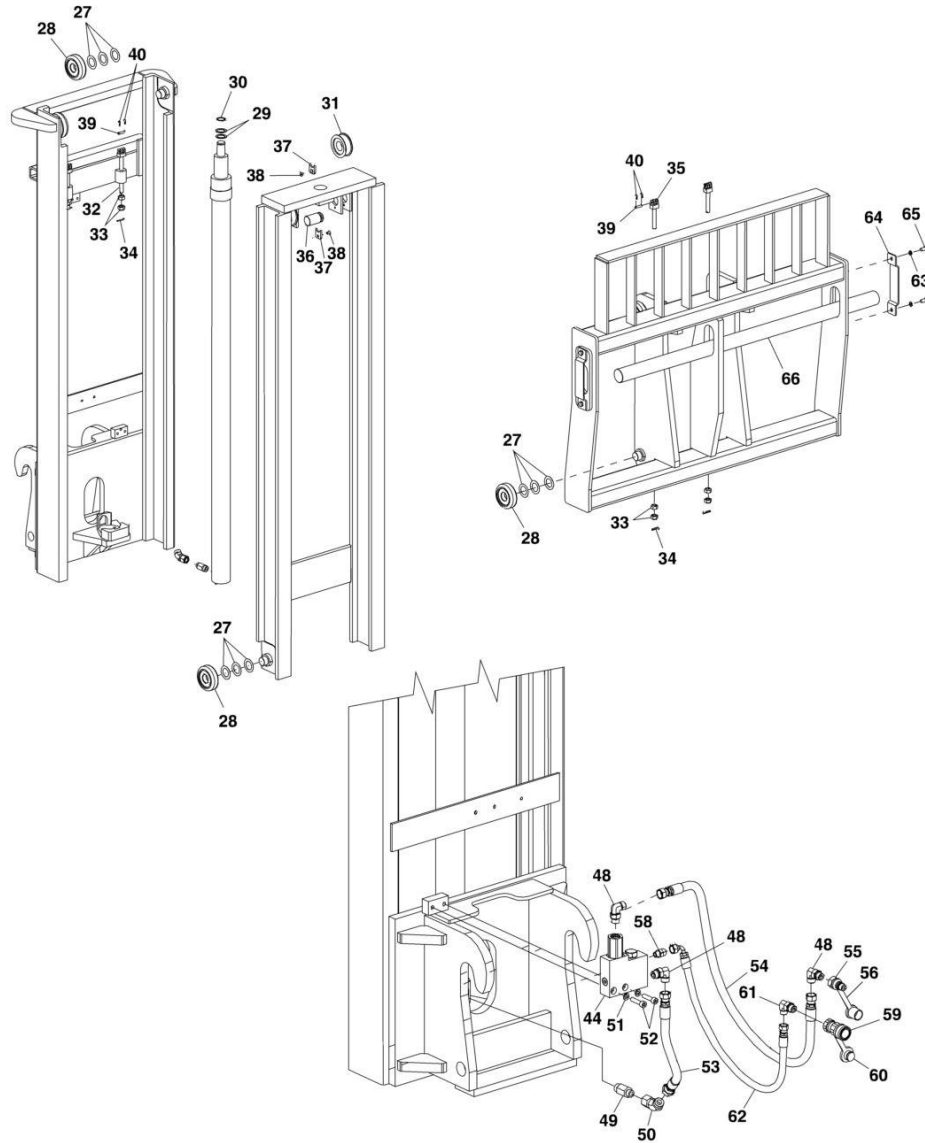
## FIGURE 3-53. MAST - 8FT



ART\_1001108668\_1-E



# SECTION 3 - ATTACHMENTS



ART\_1001108668\_2-E

# SECTION 3 - ATTACHMENTS

## FIGURE 3-53. MAST - 8FT

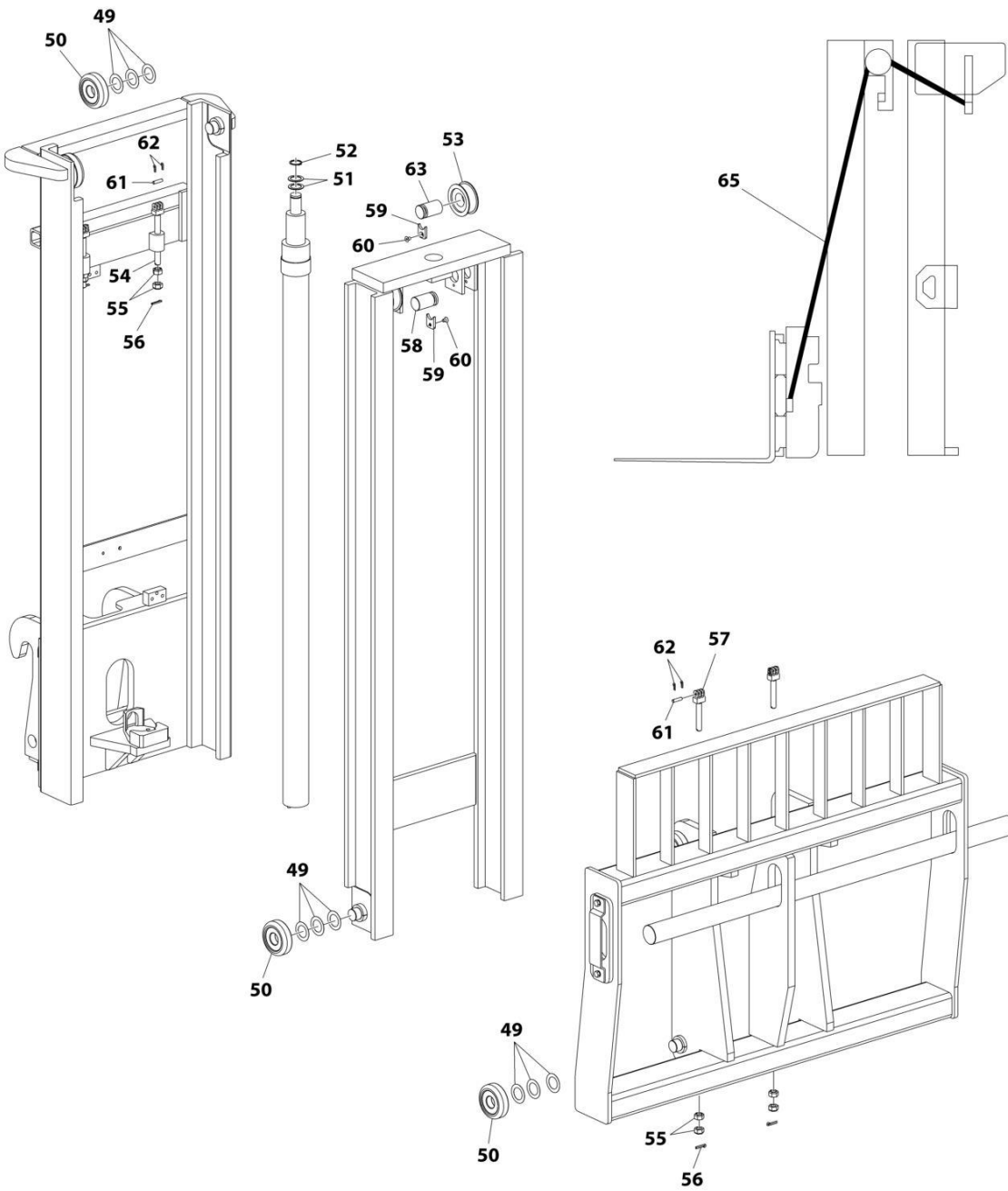
ITEM	PART NUMBER	QTY	DESCRIPTION	REV
	1001108668	Ref	Mast (8 Foot)	E
1	Kit	NSS	Decal, Warning (Use Item 101)	
2	Kit	NSS	Decal, Warning (Use Item 101)	
3	Kit	NSS	Decal, No Step (Use Item 101)	
4	Kit	NSS	Decal, No Step (Use Item 101)	
5	Kit	NSS	Decal, Hands Off (Use Item 101)	
6	Kit	NSS	Decal, Hose Routing (Use Item 101)	
7	70023008	1	Cylinder, Main Lift (includes items 7 thru 26)	
7	N.S.S.	NSS	Rod/Plunger (Purchase Item 7)	
8	Kit	NSS	O-Ring (Use Item 102)	
9	Kit	NSS	Wire, Pull (Use Item 102)	
10	N.S.S.	NSS	Spacer (Purchase Item 7)	
11	N.S.S.	NSS	Pin, Roll (Purchase Item 7)	
12	N.S.S.	NSS	Barrel (Purchase Item 7)	
13	Kit	NSS	Wiper (Use Item 102)	
14	Kit	NSS	Bushing (Use Item 102)	
15	N.S.S.	NSS	Barrel	
16	Kit	NSS	Ring, Nylon (Use Item 102)	
17	Kit	NSS	Seal, Piston (Use Item 102)	
18	Kit	NSS	Valve, Check	
19	Kit	NSS	O-Ring (Use Item 102)	
20	Kit	NSS	Washer	
21	Kit	NSS	Circlip (Use Item 102)	
22	N.S.S.	NSS	Sleeve (Purchase Item 7)	
23	Kit	NSS	Ring, Retaining (Use Item 102)	
24	Kit	NSS	Ring, Wear (Use Item 102)	
25	Kit	NSS	Seal, Rod (Use Item 102)	
26	70023004	1	Head/Retainer/Gland	
27	70023014	24	Shim	
28	70022987	8	Bearing, Ball	
29	Kit	NSS	Washer, Shim (Purchase Item 104)	
30	70023016	1	Ring, Snap	
31	70022969	2	Assembly, Sheave	
32	70022960	2	Anchor, Chain	
33	70022957	8	Nut, 5/8	
34	70022993	4	Pin, Cotter	
35	70022995	2	Anchor, Chain	
36	70022984	1	Shaft, Sheave	
37	70022970	2	Bar, Retainer	
38	70023003	2	Capscrew	
39	70022994	4	Pin, Chain Anchor	
40	70022992	8	Pin, Cotter	
41	70022985	1	Shaft, Sheave	
43	70023009	2	Chain, Lift	
44	70022932	1	Assembly, PO Check Valve (includes items 45, 46 & 47)	
45	N.S.S.	NSS	Manifold (Purchase Item 44)	
46	70022931	1	Cartridge, Check Valve	
47	70023010	1	Cartridge, Check Valve	
48	70022934	3	Fitting, 90	
49	70022936	1	Limitter, Flow	

## SECTION 3 - ATTACHMENTS

ITEM	PART NUMBER	QTY	DESCRIPTION	REV
50	70022937	1	Fitting, 45	
51	70022949	2	Washer, Lock M10	
52	70022950	2	Bolt	
53	70022942	1	Hose	
54	70022952	1	Hose	
55	91403414	1	Adapter, Male Quick Disconnect	
56	91043126	1	Cap, Dust	
58	70022939	1	Fitting, Straight	
59	91403413	1	Fitting, Female Quick Disconnect	
60	91043125	1	Plug, Dust	
61	70022935	1	Fitting, 90	
62	70022946	1	Hose	
63	70022949	4	Washer, Lock M10	
64	70022980	2	Keeper, Fork Pin	
65	70022998	4	Screw, M10X20	
66	70022990	1	Pin, Fork	
67	See Note	NSS	S/N Plate (Note: Stamped Part - Not Available for Purchase)	
101	70023925	1	Kit, Decal (includes items 1 thru 6)	
102	70023005	1	Seal Kit, Main Lift Cylinder (includes items 8, 9, 13, 14, 16, 17, 19, 21 & 23 thru 25)	
103	70023006	1	Kit, Check Valve (includes items 18 thru 21 & 23)	
104	70023007	1	Kit, Shim	
105	70023015	1	Kit, Mast Common Parts (includes items 27 thru 41)	

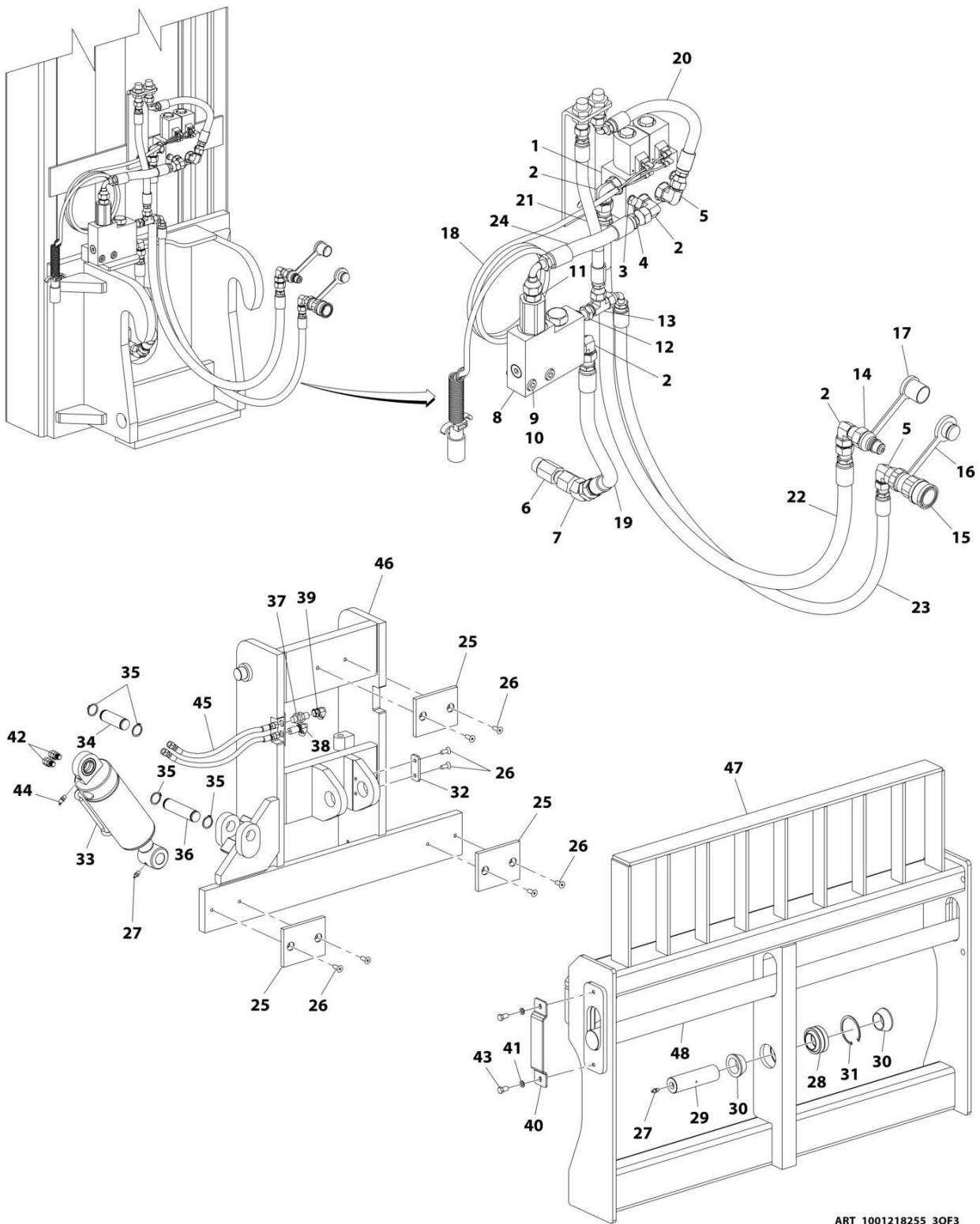
# SECTION 3 - ATTACHMENTS

## FIGURE 3-54. MAST - 8FT SIDE TILT



ART\_1001218255\_20F3

# SECTION 3 - ATTACHMENTS



ART\_1001218255\_30F3

# SECTION 3 - ATTACHMENTS

## FIGURE 3-54. MAST - 8FT SIDE TILT

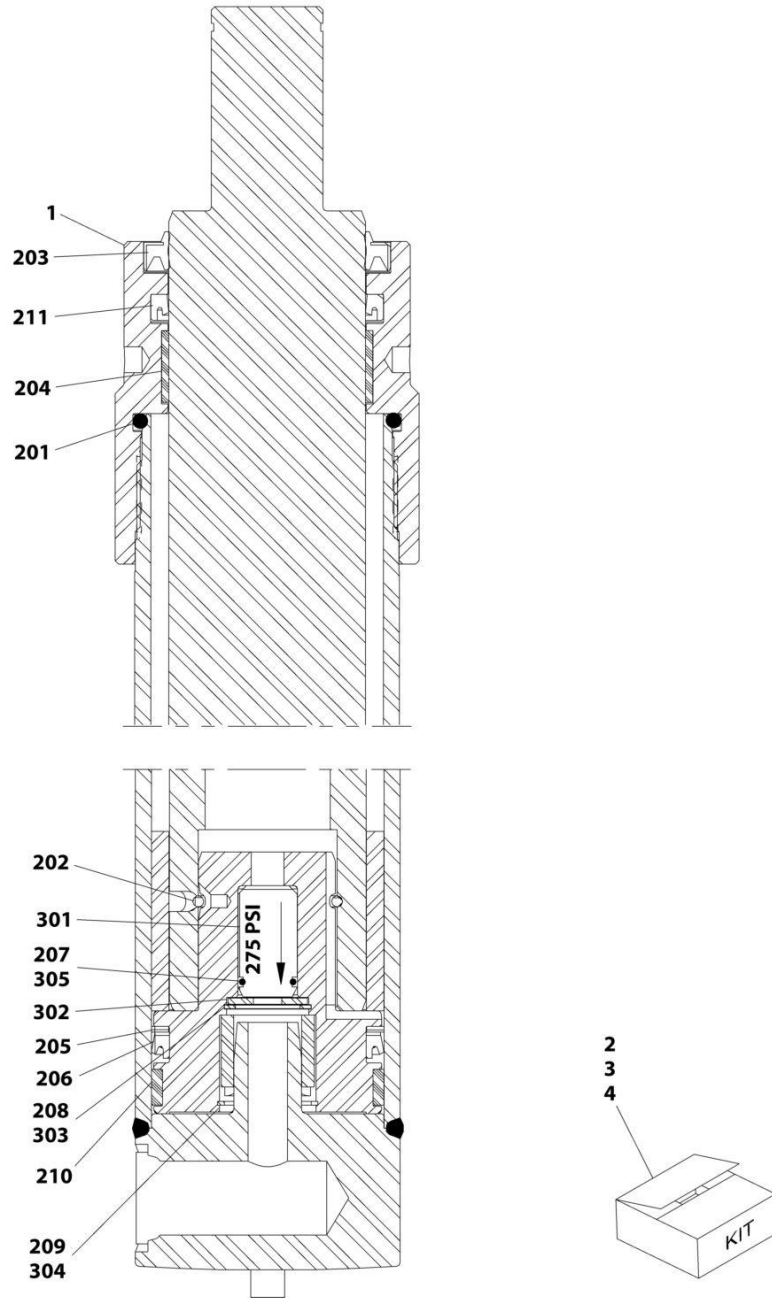
ITEM	PART NUMBER	QTY	DESCRIPTION	REV
	1001218255	Ref	Side Tilt Electric Mast (8 Foot)	D
1	70022933	1	Solenoid Valve Bank	
2	70022934	4	Fitting, 90	
3	70022948	2	Washer, Lock M8	
4	70022951	2	Screw, M8X60	
5	70022935	2	Elbow, Straight Thread	
6	70022936	1	Limiter, Flow	
7	70022937	1	Fitting, 45	
8	70022932	1	Assembly, PO Check Valve	
8	N.S.S.	1	Manifold	
8	70022931	1	Cartridge, PO Check Valve	
8	70023010	1	Check, PO	
9	70022949	2	Washer, Lock M10	
10	70022950	2	Bolt	
11	70022938	1	Fitting, Straight	
12	70022939	1	Fitting, Straight	
13	70022940	1	Tee Fitting	
14	91403414	1	Adapter, Male Quick Disconnect	
15	91403413	1	Adapter, Female Quick Disconnect	
16	8420055	1	Cover, Dust	
17	8420053	1	Cover, Dust	
18	70022941	1	Harness	
19	70022942	1	Hose	
20	70022943	1	Hose	
21	70022944	1	Hose	
22	70022945	1	Hose	
23	70022946	1	Hose	
24	70022947	1	Hose	
25	70022972	3	Wear Pad	
26	70022971	8	Capscrew, Flat Head	
27	70023001	2	Grease Fitting	
28	70022975	1	Spherical Bearing	
29	70022973	1	Pivot Shaft	
30	70022974	2	Beveled Spacer	
31	70022988	1	Ring, Retaining	
32	70022976	1	Retainer Plate	
33	2716143	1	Tilt Cylinder	
34	70022977	1	Pin	
35	70023016	4	Ring, Snap	
36	70022978	1	Pin	
37	70023000	1	Fitting	
38	70022999	1	Elbow	
39	70022982	1	Elbow, Straight Thread	
40	70022980	2	Keeper, Fork Pin	
41	70022949	4	Washer, Lock M10	
42	70022939	2	Fitting, Straight	
43	70022998	4	Screw, M10X20	
44	70022966	1	Grease Fitting 30	
45	70022979	2	Hose	
46	70025353	1	Spine Weldment	

## SECTION 3 - ATTACHMENTS

ITEM	PART NUMBER	QTY	DESCRIPTION	REV
47	N.S.S.	1	Front Frame Weldment	
48	70022990	1	Pin, Fork	
49	70023014	24	Shim	
50	70022987	8	Bearing, Ball	
51	70027951	2	Washer, Shim	
52	70023016	1	Ring, Snap	
53	70022969	2	Assembly, Sheave	
54	70022960	2	Anchor, Chain	
55	70022957	8	Nut, 5/8-18	
56	70022993	4	Pin, Cotter	
57	70022995	2	Anchor, Chain	
58	70022984	1	Shaft, Sheave	
59	70022970	2	Bar, Retainer	
60	70023003	2	Capscrew	
61	70022994	4	Pin, Chain Anchor	
62	70022992	8	Pin, Cotter	
63	70022985	1	Shaft, Sheave	
64	70023925	1	Kit, Decal (not shown) (See Separate Breakdown in this Section)	
65	70023009	2	Chain, Lift	
66	70023008	1	Cylinder, Main Lift (not shown) (See Separate Breakdown in this Section)	

# SECTION 3 - ATTACHMENTS

## FIGURE 3-55. MAST CYLINDER ASSEMBLY



ART\_70023008-A



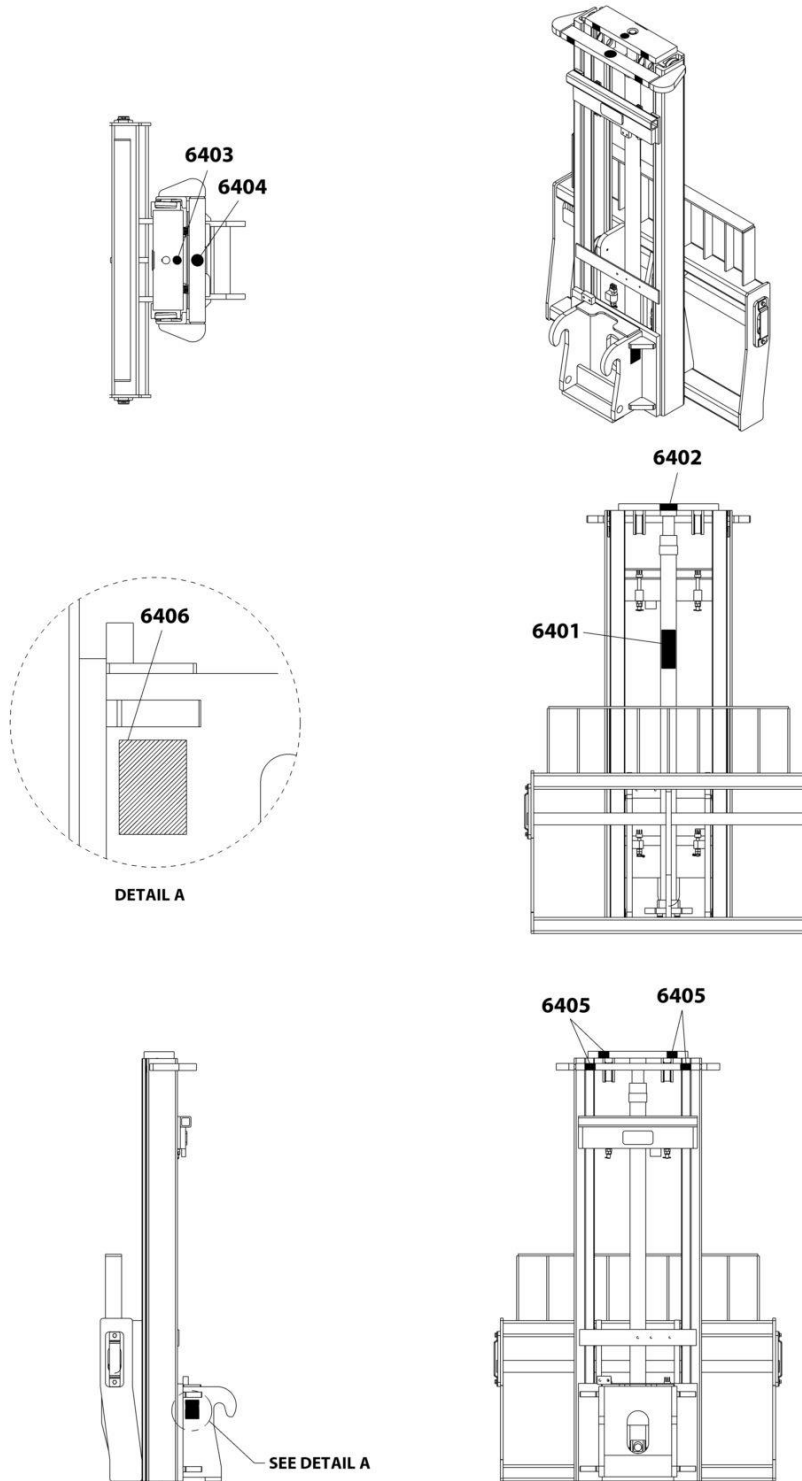
## SECTION 3 - ATTACHMENTS

### FIGURE 3-55. MAST CYLINDER ASSEMBLY

ITEM	PART NUMBER	QTY	DESCRIPTION	REV
	70023008	Ref	Main Lift Cylinder	A
1	70023004	1	Retainer/Gland	
2	70023005	1	Seal Kit, Main Lift Cylinder	
201	Kit	1	O-Ring	
202	Kit	1	Wire, Pull	
203	Kit	1	Wiper	
204	Kit	1	Bushing	
205	Kit	1	Ring, Nylon	
206	Kit	1	Seal, Piston	
207	Kit	1	O-Ring	
208	Kit	1	Circlip	
209	Kit	1	Ring, Retaining	
210	Kit	1	Ring, Wear	
211	Kit	1	Seal, Rod	
3	70023006	1	Kit, Check Valve	
301	Kit	1	Valve, Check	
302	Kit	1	Washer	
303	Kit	1	Circlip	
304	Kit	1	Ring, Retaining	
304	Kit	1	O-Ring	
4	70023007	1	Kit, Shim	

# SECTION 3 - ATTACHMENTS

## FIGURE 3-56. MAST DECAL KIT



ART\_70023925-A

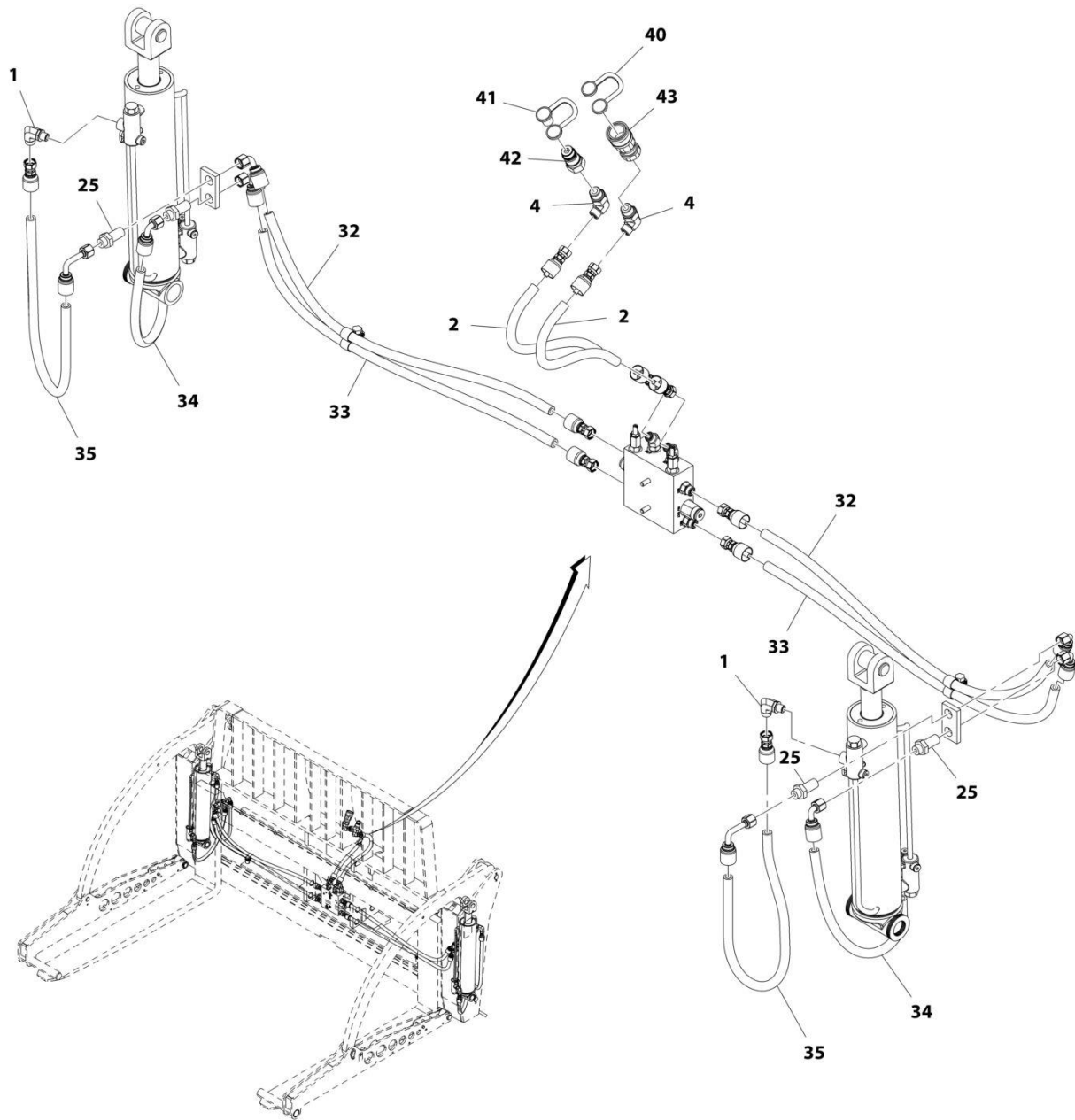
## SECTION 3 - ATTACHMENTS

### FIGURE 3-56. MAST DECAL KIT

ITEM	PART NUMBER	QTY	DESCRIPTION	REV
	70023925	Ref	Kit, Decal	A
6401	Kit	1	Decal, Warning	
6402	Kit	1	Decal, Warning	
6403	Kit	1	Decal, No Step	
6404	Kit	1	Decal, No Step	
6405	Kit	4	Decal, Hands Off	
6406	Kit	2	Decal, Hose Routing	

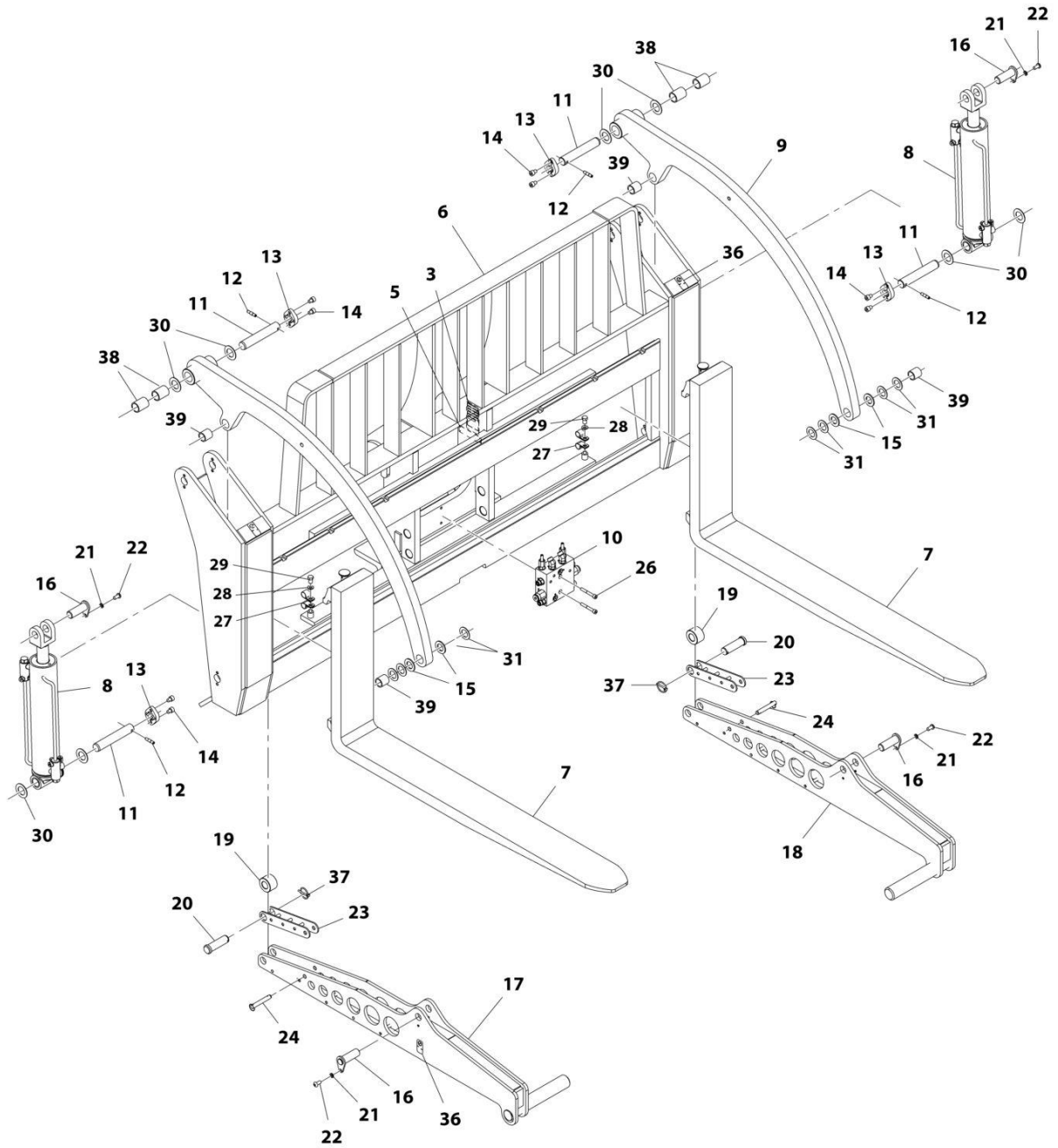
# SECTION 3 - ATTACHMENTS

## FIGURE 3-57. PIPE HANDLER



ART\_1001142247\_1-E

# SECTION 3 - ATTACHMENTS



ART\_1001142247\_2-E

## SECTION 3 - ATTACHMENTS

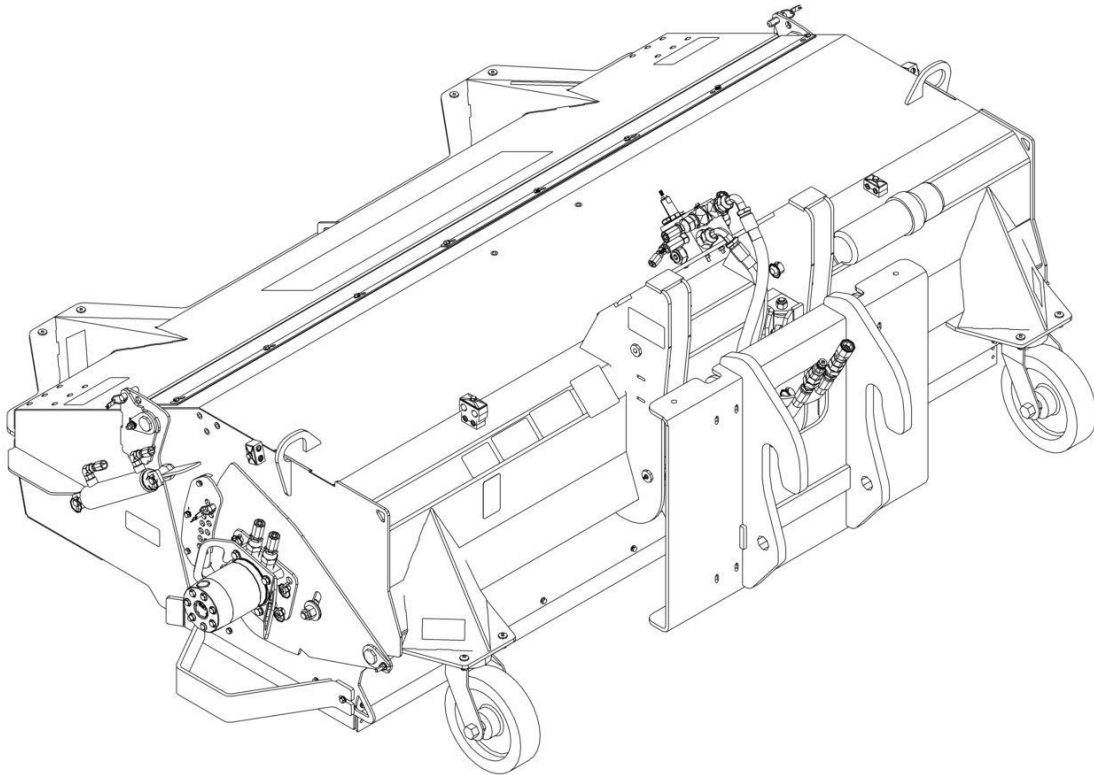
### FIGURE 3-57. PIPE HANDLER

ITEM	PART NUMBER	QTY	DESCRIPTION	REV
	1001142247	Ref	Pipe Handler Assembly	E
	70026585	1	Hydraulic Supply Group (includes items 1, 2, 4, 25 & 32 thru 35 & 40 thru 43)	
1	70024123	4	Fitting, 90	
2	70026347	2	Hose	
3	See Note	NSS	JLG Plate (Note: Stamped Part - Not Available for Purchase)	
4	70024550	2	Fitting, 90	
5	See Note	NSS	S/N Plate (Note: Stamped Part - Not Available for Purchase)	
6	See Note	NSS	Carriage (Note: Purchase Complete Assembly)	
7	70026586	2	Fork	
8	70026587	2	Cylinder, Pipe Handler (See Separate Breakdown in HYDRAULIC COMPONENTS Section)	
9	70026588	2	Arm	
10	70026589	1	Valve Assembly (See Separate Breakdown in HYDRAULIC CIRCUITS Section)	
11	70026470	4	Pin	
12	70026471	4	Pin Drive - Lock	
13	70026472	4	Retainer	
14	70026473	8	Capscrew, M10 x 12	
15	70026590	4	Thrust Washer	
16	70026591	4	Pin Weldment	
17	70026592	1	Contact Pad - RH	
18	70026593	1	Contact Pad - LH	
19	70026594	2	Roller	
20	70026595	2	Clevis Pin	
21	70026596	4	Lockwasher, M8	
22	70026597	4	Capscrew, M8 x 16	
23	70026598	2	Retainer	
24	70026599	2	Ring Detent Pin	
25	70023000	4	Fitting	
26	70026600	2	Capscrew, M8 x 60	
27	70026481	4	Hose Clamp	
28	70026482	2	Washer	
29	70022996	2	Capscrew, M10X16	
30	70026476	24	Shim	
31	70026601	8	Shim	
32	70026602	2	Hose	
33	70026603	2	Hose	
34	70026604	2	Hose	
35	70026605	2	Hose	
36	70024538	4	Warning Decal	
37	70026606	2	Lynch Pin, 3/16	
38	70026501	4	Bushing	
39	70026607	4	Bushing	
40	70026608	1	Plug	
41	70026609	1	Cap	
42	91403414	1	Coupler - Male	
43	91403413	1	Coupler - Female	



# SECTION 3 - ATTACHMENTS

FIGURE 3-58. SWEEPER ASSEMBLY



ART\_1001202904-B



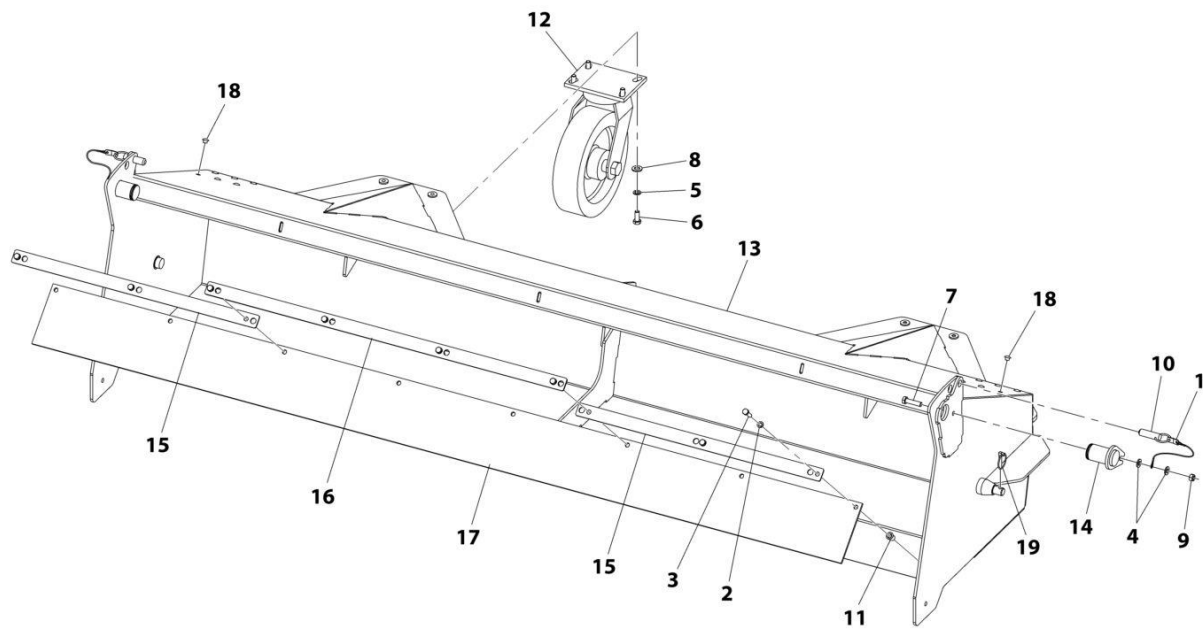
## SECTION 3 - ATTACHMENTS

### FIGURE 3-58. SWEEPER ASSEMBLY

ITEM	PART NUMBER	QTY	DESCRIPTION	REV
	1001202904	Ref	Sweeper Assembly	B
		Ref	Sweeper Assembly- Hopper (See Separate Breakdown in this Section)	
		Ref	Sweeper Assembly - Body (See Separate Breakdown in this Section)	
		Ref	Sweeper Assembly - Motor (See Separate Breakdown in this Section)	
		Ref	Sweeper Assembly - Idler (See Separate Breakdown in this Section)	
		Ref	Sweeper Assembly - Core (See Separate Breakdown in this Section)	
		Ref	Sweeper Assembly - Hydraulic Single Motor (See Separate Breakdown in this Section)	

# SECTION 3 - ATTACHMENTS

## FIGURE 3-59. SWEEPER - HOPPER ASSEMBLY



ART\_1001202904\_1-B

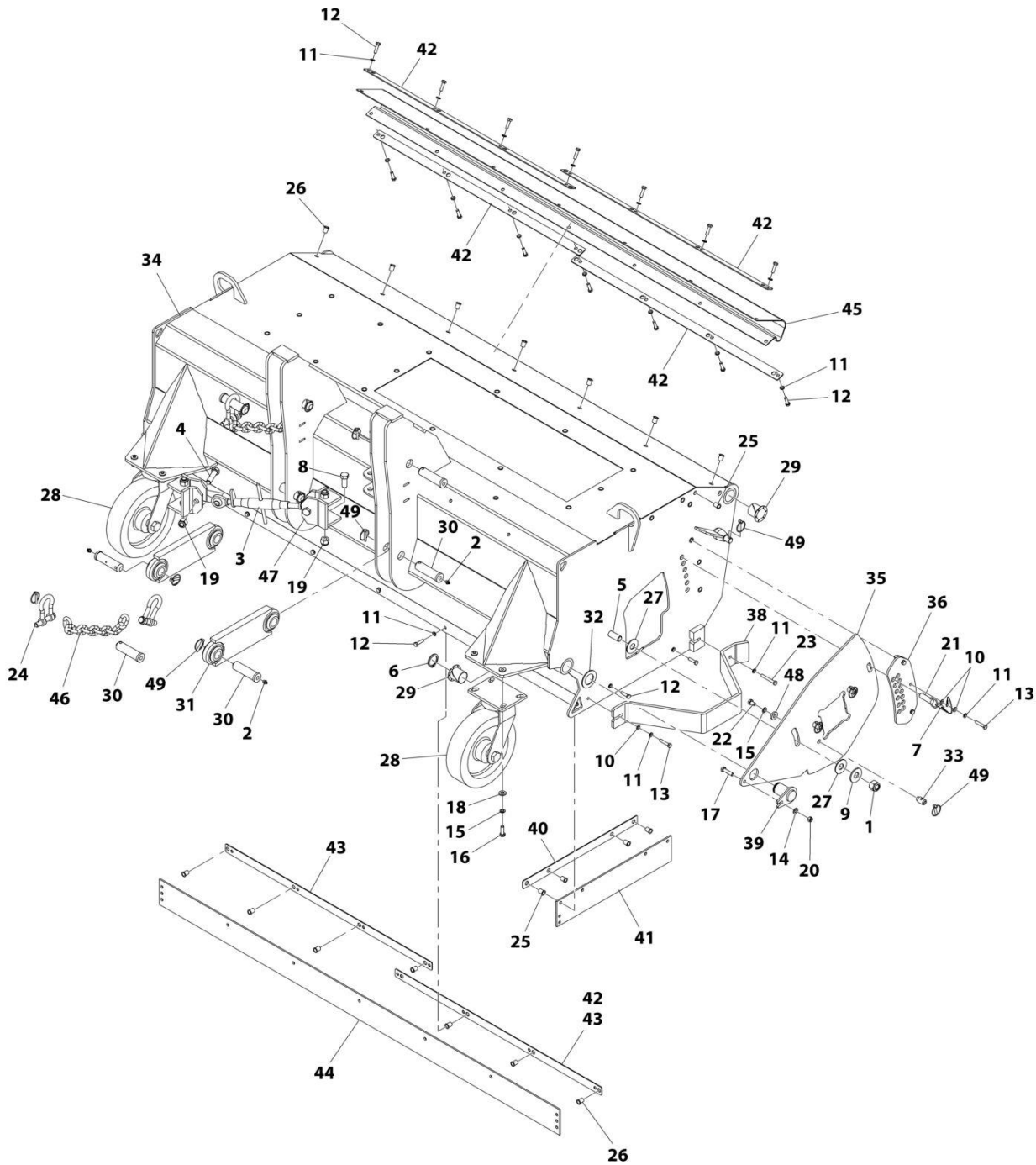
## SECTION 3 - ATTACHMENTS

**FIGURE 3-59. SWEEPER - HOPPER ASSEMBLY**

ITEM	PART NUMBER	QTY	DESCRIPTION	REV
1	70029725	2	Lanyard	
2	70029734	8	Washer	
3	70029735	8	Screw	
4	70029738	4	Washer	
5	70029739	8	Washer	
6	70029740	8	Screw	
7	70029742	2	Screw	
8	70029743	8	Washer	
9	70029747	2	Nut	
10	70029750	2	Pin	
11	70029756	8	Nut	
12	70029762	2	Assembly, Caster	
13	See Note	NSS	Hopper (Note: Purchase Complete Assembly)	
14	70029777	2	Pin	
15	70029780	2	Plate	
16	70029781	1	Plate	
17	70029785	1	Flap	
18	70029792	12	Plug	
19	70029794	2	Pin, Lynch	

# SECTION 3 - ATTACHMENTS

## FIGURE 3-60. SWEEPER - BODY ASSEMBLY



ART\_1001202904\_2-B

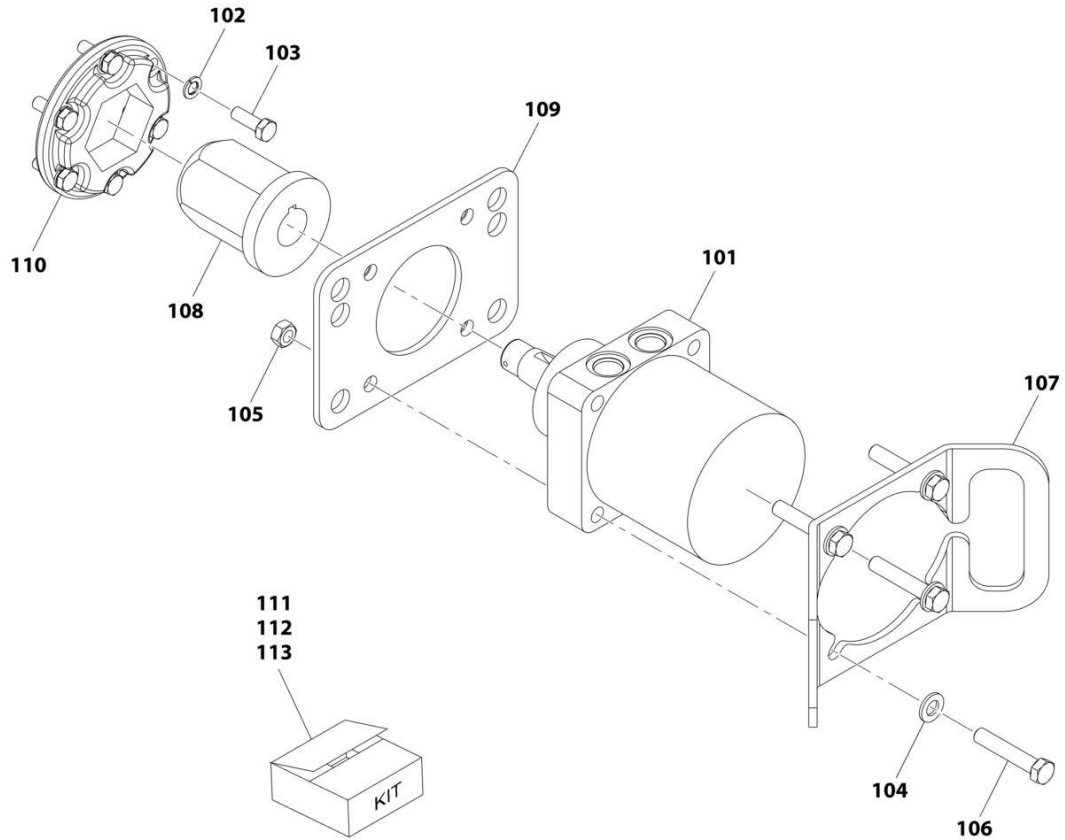
## SECTION 3 - ATTACHMENTS

### FIGURE 3-60. SWEEPER - BODY ASSEMBLY

ITEM	PART NUMBER	QTY	DESCRIPTION	REV
1	70029720	2	Nut	
2	70029721	4	Fitting, Grease	
3	70029722	1	Toplink	
4	70029723	2	Screw	
5	70020004	2	Screw	
6	70029724	2	Ring, Snap	
7	70029725	2	Lanyard	
8	70029726	4	Screw	
9	70029728	2	Washer	
10	70029732	6	Washer	
11	70029734	38	Washer	
12	70029735	32	Screw	
13	70029736	4	Screw	
14	70029738	2	Washer	
15	70029739	14	Washer	
16	70029741	8	Screw	
17	70029742	2	Screw	
18	70029743	8	Washer	
19	70029745	6	Nut	
20	70029747	2	Nut	
21	70029729	2	Pin	
22	70029751	6	Screw	
23	70029752	2	Screw	
24	70029755	4	Shackle	
25	70029756	45	Nut	
26	70029757	25	Nut	
27	70029760	4	Washer	
28	70029762	2	Assembly, Caster	
29	70029764	4	Bearing	
30	70029765	8	Pin	
31	70029766	2	Link	
32	70029767	2	Washer	
33	70029768	6	Stud	
34	See Note	NSS	Body, Sweeper (Note: Purchase Complete Assembly)	
35	70029773	2	Plate	
36	70029774	2	Plate	
37	70029775	2	Plate	
38	70029776	2	Plate	
39	70029777	2	Pin	
40	70029778	2	Plate	
41	70029779	2	Flap	
42	70029780	6	Plate	
43	70029781	3	Plate	
44	70029784	1	Flap	
45	70029786	1	Flap	
46	70029788	2	Chain	
47	70029790	2	Toplink	
48	70029793	6	Washer	
49	70029794	16	Pin, Lynch	

# SECTION 3 - ATTACHMENTS

## FIGURE 3-61. SWEEPER - MOTOR ASSEMBLY



ART\_1001202904\_3-B

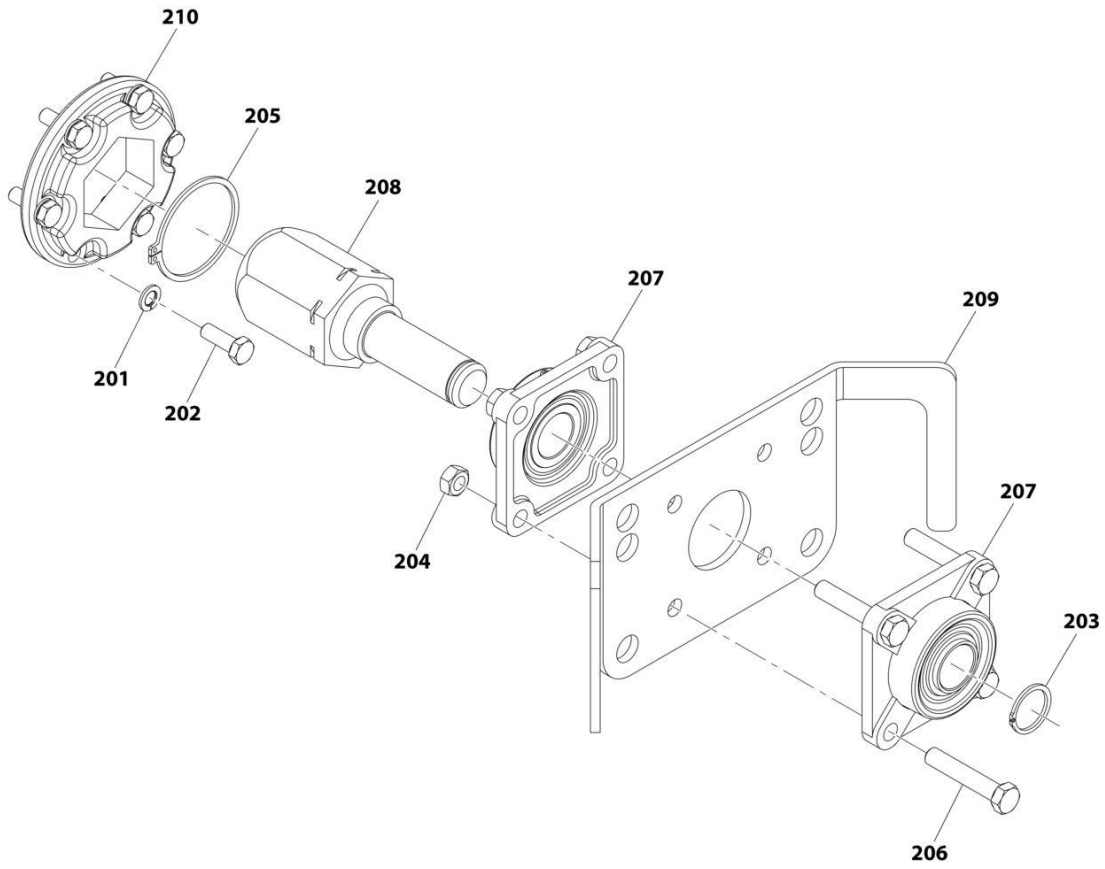
## SECTION 3 - ATTACHMENTS

### FIGURE 3-61. SWEEPER - MOTOR ASSEMBLY

ITEM	PART NUMBER	QTY	DESCRIPTION	REV
101	70029717	1	Motor	
102	70029739	6	Washer	
103	70029741	6	Screw	
104	70029743	4	Washer	
105	70029746	4	Nut	
106	70029749	4	Screw	
107	70029769	1	Plate	
108	70029771	1	Hub	
109	70029772	1	Plate	
110	70029789	1	Plate	
111	70029719	1	Nut, Motor Shaft Lock	
112	70029718	1	Kit, Seal	
113	70029761	1	Key	

# SECTION 3 - ATTACHMENTS

## FIGURE 3-62. SWEEPER - IDLER ASSEMBLY



ART\_1001202904\_4-B



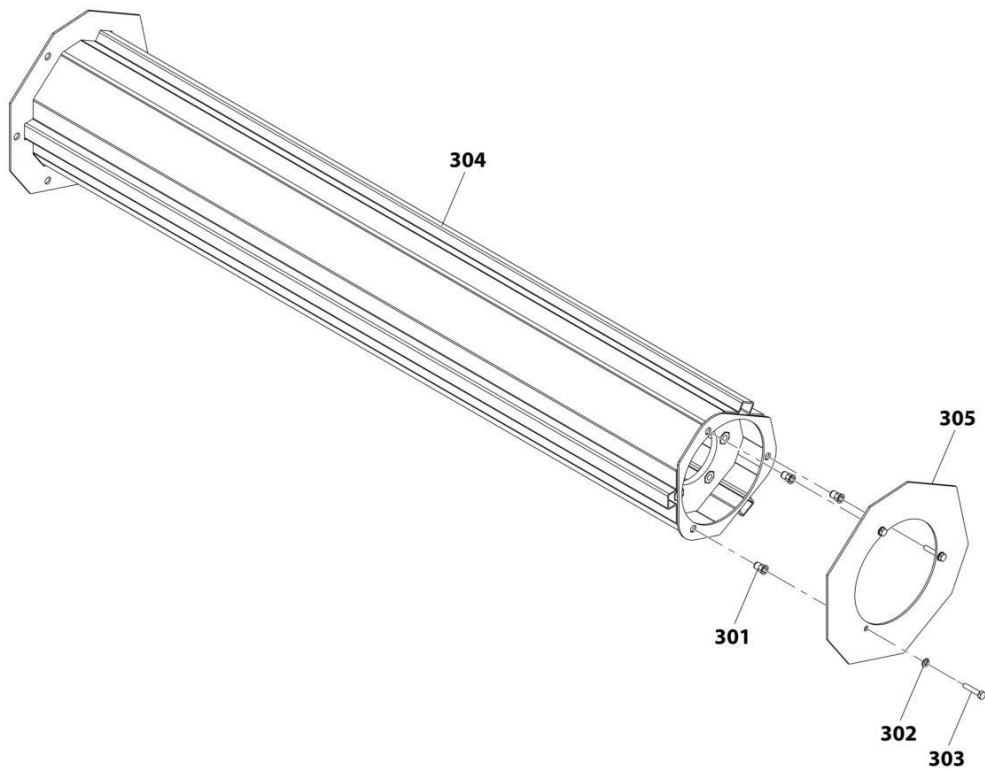
## SECTION 3 - ATTACHMENTS

### FIGURE 3-62. SWEEPER - IDLER ASSEMBLY

ITEM	PART NUMBER	QTY	DESCRIPTION	REV
201	70029739	6	Washer	
202	70029741	6	Screw	
203	70029744	1	Ring, Snap	
204	70029746	4	Nut	
205	70029748	1	Ring, Snap	
206	70029749	4	Screw	
207	70029763	2	Bearing	
208	70029770	1	Hub	
209	70029787	1	Plate	
210	70029789	1	Plate	

# SECTION 3 - ATTACHMENTS

## FIGURE 3-63. SWEEPER - CORE ASSEMBLY



ART\_1001202904\_5-B

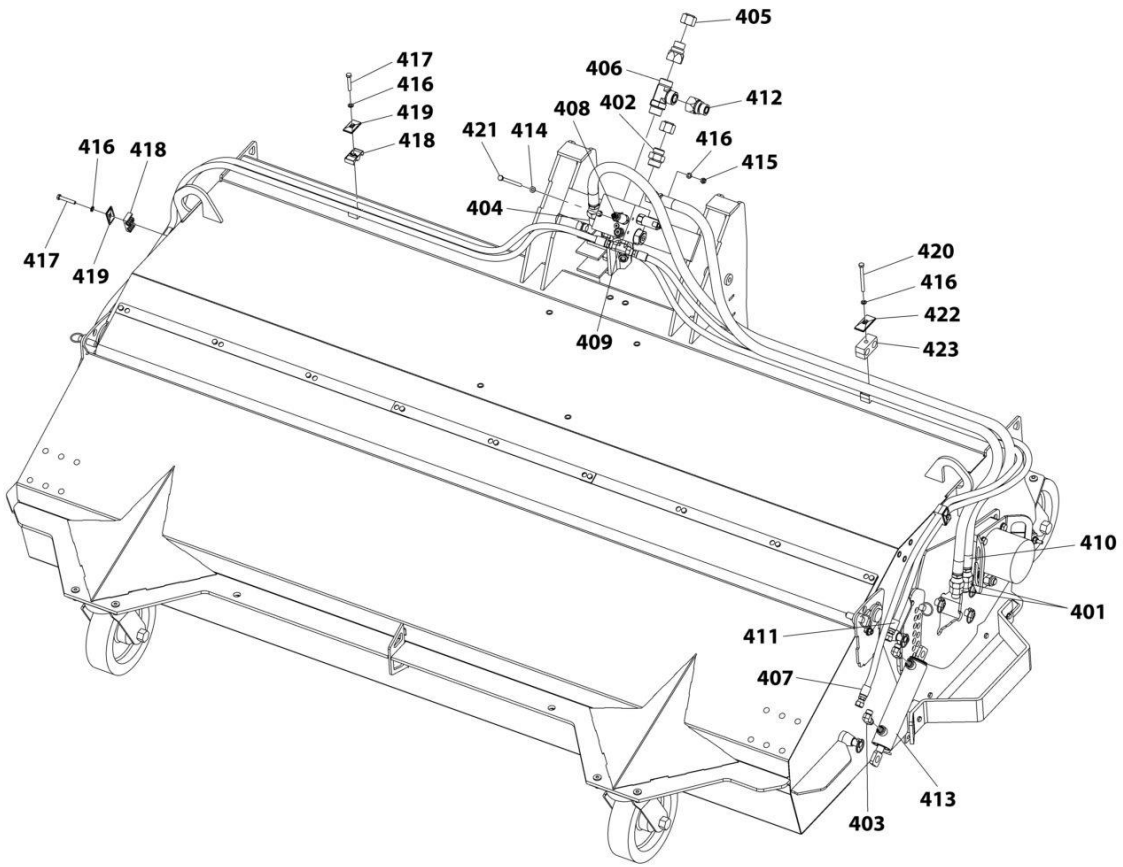
## SECTION 3 - ATTACHMENTS

### FIGURE 3-63. SWEEPER - CORE ASSEMBLY

ITEM	PART NUMBER	QTY	DESCRIPTION	REV
301	70029727	3	Nut	
302	70029730	3	Washer	
303	70029731	3	Screw	
304	70029782	1	Weldment, Core	
305	70029783	1	Plate	

# SECTION 3 - ATTACHMENTS

## FIGURE 3-64. SWEEPER - HYDRAULIC SINGLE MOTOR ASSEMBLY



ART\_1001202904\_6-B

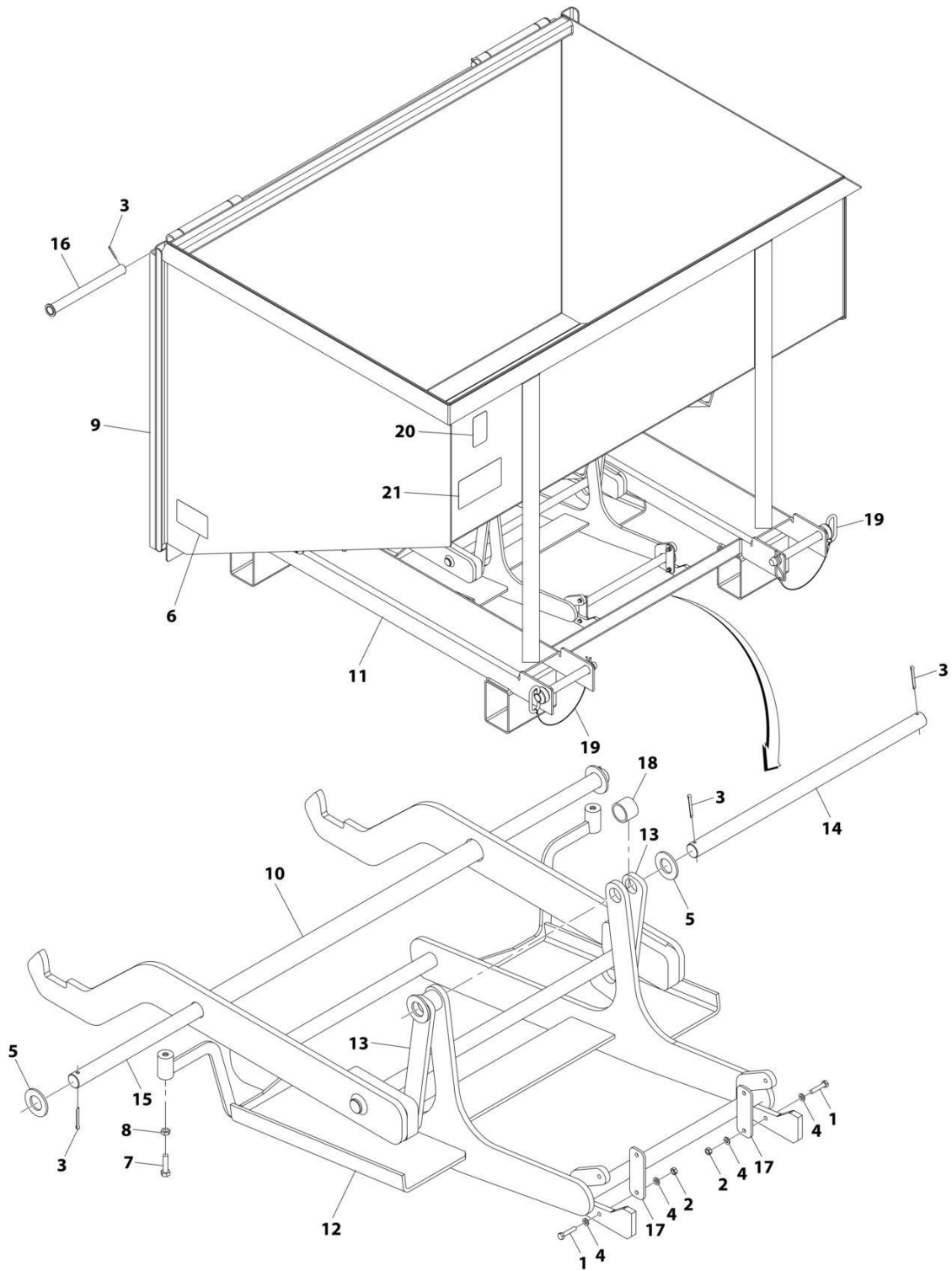
## SECTION 3 - ATTACHMENTS

**FIGURE 3-64. SWEEPER - HYDRAULIC SINGLE MOTOR ASSEMBLY**

ITEM	PART NUMBER	QTY	DESCRIPTION	REV
401	70029704	2	Fitting	
402	70029705	1	Fitting	
403	70029706	4	Fitting, 90	
404	70029707	1	Fitting, 90	
405	70029708	2	Cap	
406	70029709	1	Fitting, Tee	
407	70029710	2	Hose	
408	70029711	1	Manifold	
409	70029712	2	Fitting, Tee	
410	70029713	2	Hose	
411	70029714	2	Hose	
412	70029715	2	Fitting	
413	70029716	2	Cylinder	
413	70029791	1	Kit, Seal	
414	70029732	2	Washer	
415	70029733	2	Nut	
416	70029734	6	Washer	
417	70029737	3	Screw	
418	70029753	8	Hose	
419	70029754	3	Cover	
420	70029758	1	Screw	
421	70029759	2	Screw	
422	70029795	1	Cover	
423	70029796	1	Cradle, Hose	

# SECTION 3 - ATTACHMENTS

## FIGURE 3-65. TRASH HOPPER



ART\_1001238566-B

## SECTION 3 - ATTACHMENTS

### FIGURE 3-65. TRASH HOPPER

ITEM	PART NUMBER	QTY	DESCRIPTION	REV
	1001238566	Ref	FORK MOUNTED TRASH HOPPER	B
1	0700614	4	Bolt M6 x 30	
2	3290601	4	Nut M6 x 1	
3	3391410	6	Pin	
4	4811700	8	Washer M6	
5	5242400	4	Washer M24	
6	1706302	2	Decal, Pinch Point	
7	0641510	2	Bolt 5/16 x 1-1/4	
8	3311502	2	Nut 5/16	
9	1001192711	1	Door Assembly	
10	1001192720	1	Hook Assembly	
11	See Note	NSS	Hopper, Trash (Note: Purchase Complete Assembly)	
12	1001192875	1	Tray Assembly	
13	1001192876	2	Arm, Swing	
14	1001192877	1	Rod, Swing	
15	1001238570	1	Bar	
16	1001193540	2	Pin	
17	1001193729	2	Plate	
18	1001198355	2	Spacer	
19	1001238560	2	Pin	
20	See Note	NSS	SN Plate (Note: Stamped Part - Not Available for Purchase)	
21	1001203503	1	Decal, Trash Hopper Operation	



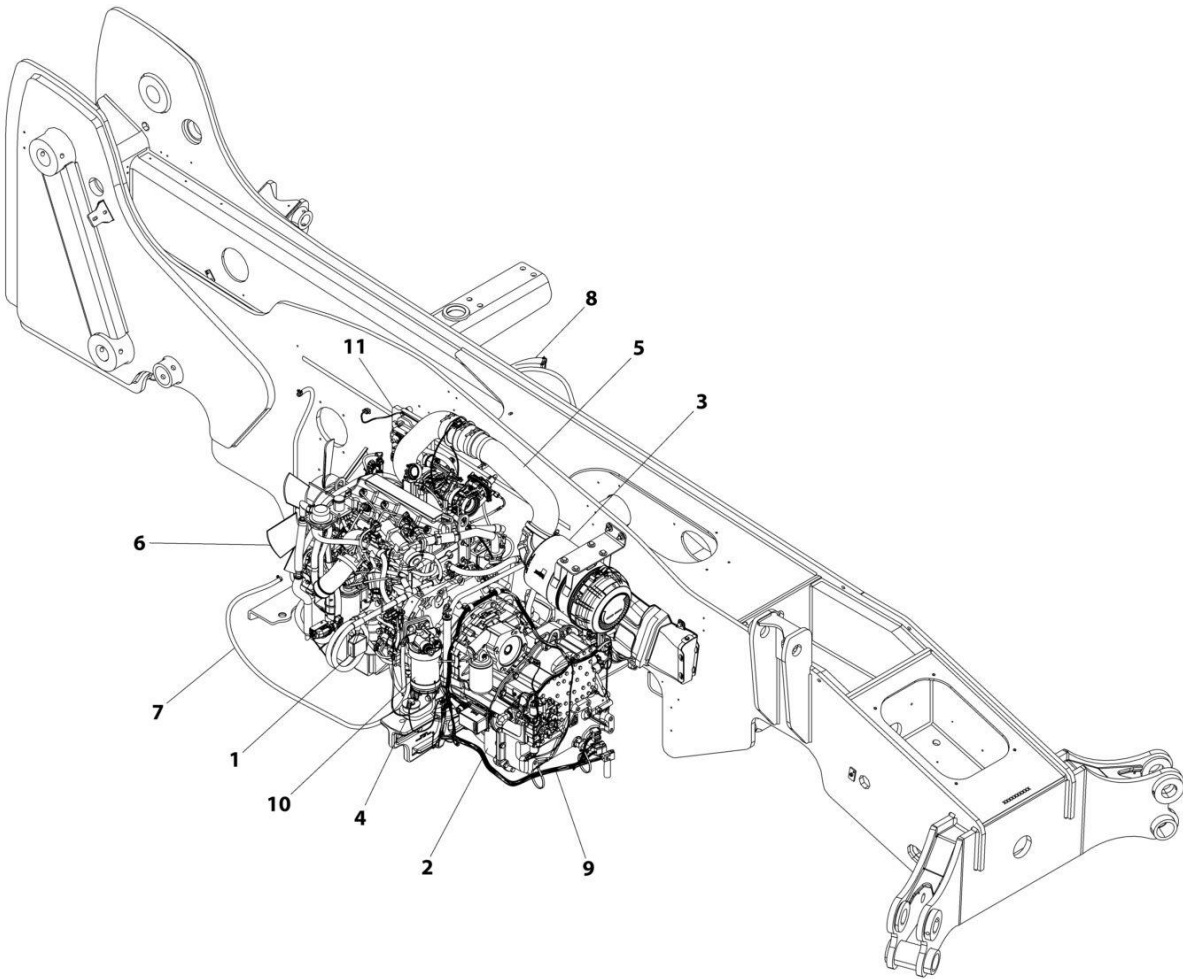


## **SECTION 4 - ENGINE AND ATTACHING PARTS**

## **SECTION 4 - ENGINE AND ATTACHING PARTS**

# SECTION 4 - ENGINE AND ATTACHING PARTS

FIGURE 4-1. ENGINE INSTALLATION (ULS)



ART\_1001160387-D

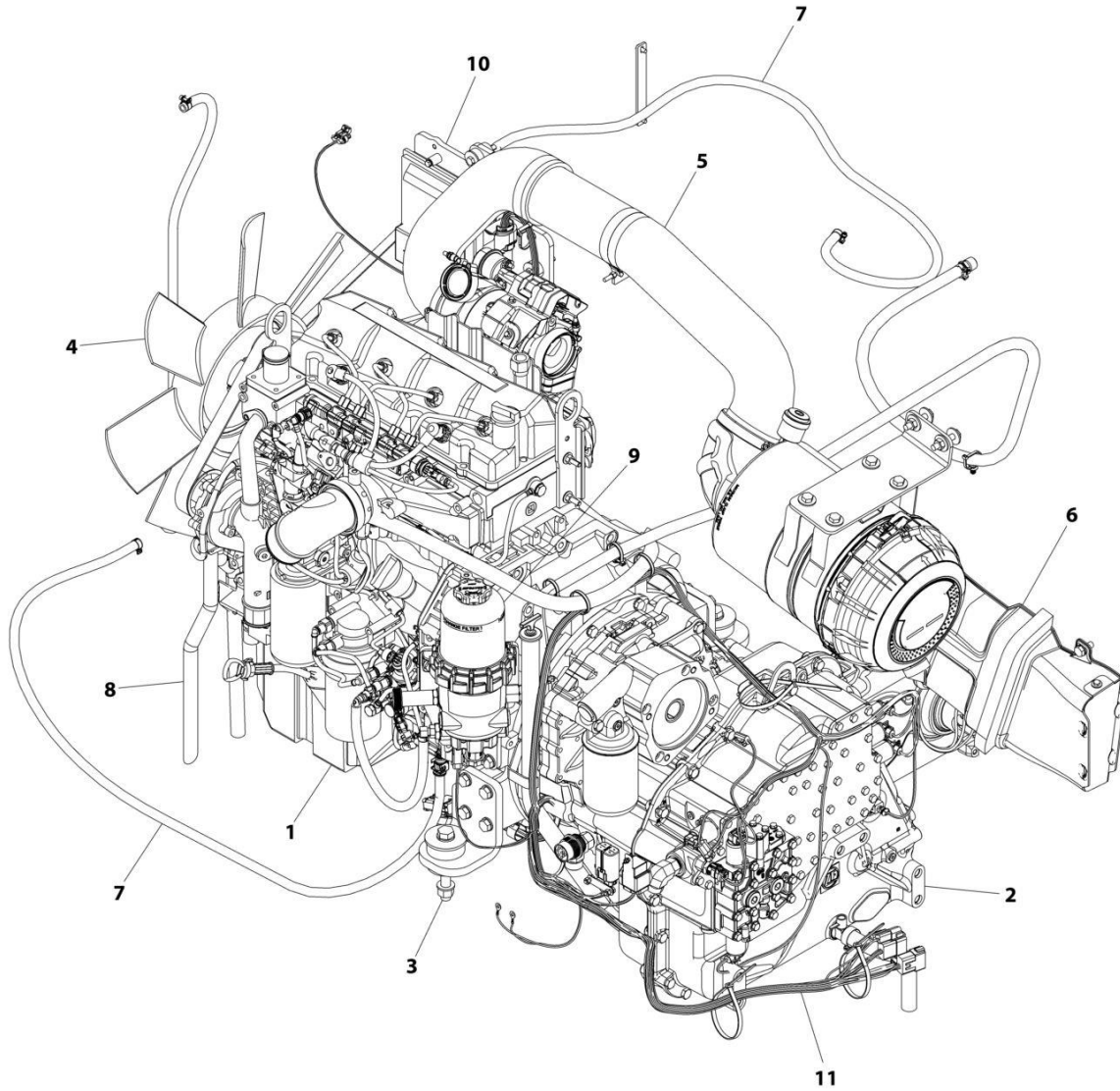
## SECTION 4 - ENGINE AND ATTACHING PARTS

**FIGURE 4-1. ENGINE INSTALLATION (ULS)**

ITEM	PART NUMBER	QTY	DESCRIPTION	REV
	1001160387	Ref	Engine Installation (if equipped for ULS)	D
1	1001154511	Ref	Engine, QSF 3.8L, (130HP) (See Separate Breakdown in this Section)	
2	1001161664	Ref	Transmission Powershift Installation (See Separate Breakdown in DRIVETRAIN Section)	
3	1001162988	Ref	Air Cleaner, 4.4L 106KW Installation (See Separate Breakdown in this Section)	
4	1001163227	Ref	Engine Mounting 3.8L Engine Installation (See Separate Breakdown in FRAME AND ATTACHING PARTS Section)	
5	1001163228	Ref	Intake Air Lines 3.8L Engine Installation Assembly, Electrical PDB (See Separate Breakdown in this Section)	
6	1001163230	Ref	Fan, 3.8L Engine Installation Assembly, Electrical PDB (See Separate Breakdown in this Section)	
7	1001163231	Ref	Fuel Lines, 3.8L Engine Installation Assembly, Electrical PDB (See Separate Breakdown in this Section)	
8	1001163232	Ref	Def Lines, 3.8L Engine Installation Assembly, Electrical PDB (See Separate Breakdown in this Section)	
9	1001163233	Ref	Engine Wiring 3.8L Engine Installation Assembly, Electrical PDB (See Separate Breakdown in ELECTRICAL Section)	
10	1001163235	Ref	Primary Fuel Filter, 3.8L Engine Installation Assembly, Electrical PDB (See Separate Breakdown in this Section)	
11	1001170722	Ref	ECU, 3.8L Engine Installation (See Separate Breakdown in ELECTRICAL Section)	

# SECTION 4 - ENGINE AND ATTACHING PARTS

## FIGURE 4-2. ENGINE INSTALLATION (LS)



ART\_1001160396-D

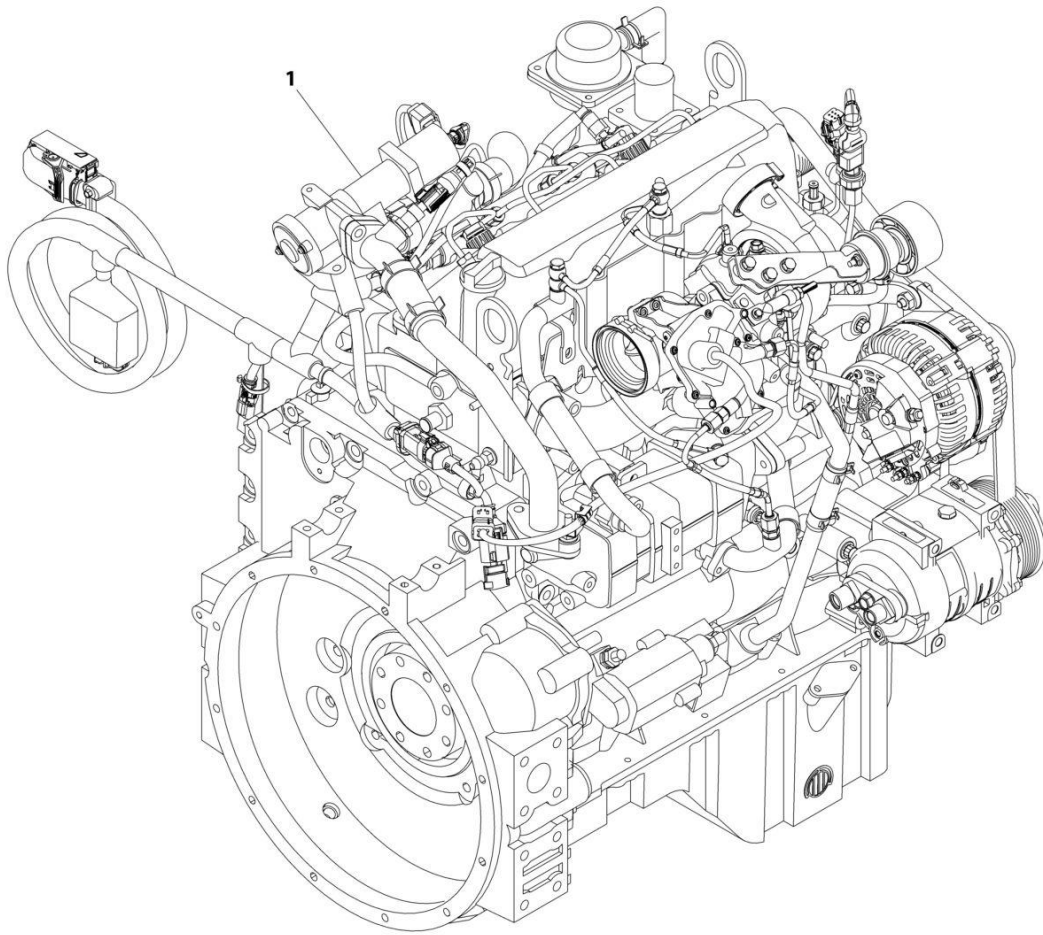
## SECTION 4 - ENGINE AND ATTACHING PARTS

**FIGURE 4-2. ENGINE INSTALLATION (LS)**

ITEM	PART NUMBER	QTY	DESCRIPTION	REV
	1001160396	Ref	Engine Installation, 110HP (LS)	D
1	1001154790	Ref	Engine, 110HP (LS) (See Separate Breakdown in this Section)	
2	1001161664	Ref	Installation, Transmission (See Separate Breakdown in DRIVETRAIN Section)	
3	1001163227	Ref	Installation, Engine Mounting (See Separate Breakdown in this Section)	
4	1001163230	Ref	Installation, Fan (See Separate Breakdown in this Section)	
5	1001163238	Ref	Installation, Air Intake Lines (LS) (See Separate Breakdown in this Section)	
6	1001163239	Ref	Installation, Air Cleaner (LS) (See Separate Breakdown in this Section)	
7	1001163241	Ref	Installation, Fuel Lines (LS) (See Separate Breakdown in this Section)	
8	1001176228	1	Hose, 3.8L	
9	1001180076	Ref	Installation, Primary Fuel Filter (LS) (See Separate Breakdown in this Section)	
10	1001180242	Ref	Installation, Engine ECM (LS) (See Separate Breakdown in ELECTRICAL Section)	
11	1001163242	Ref	Installation, Engine Wiring (LS) (See Separate Breakdown in ELECTRICAL Section)	

# SECTION 4 - ENGINE AND ATTACHING PARTS

## FIGURE 4-3. 3.8L ENGINE (ULS)



ART\_1001154511

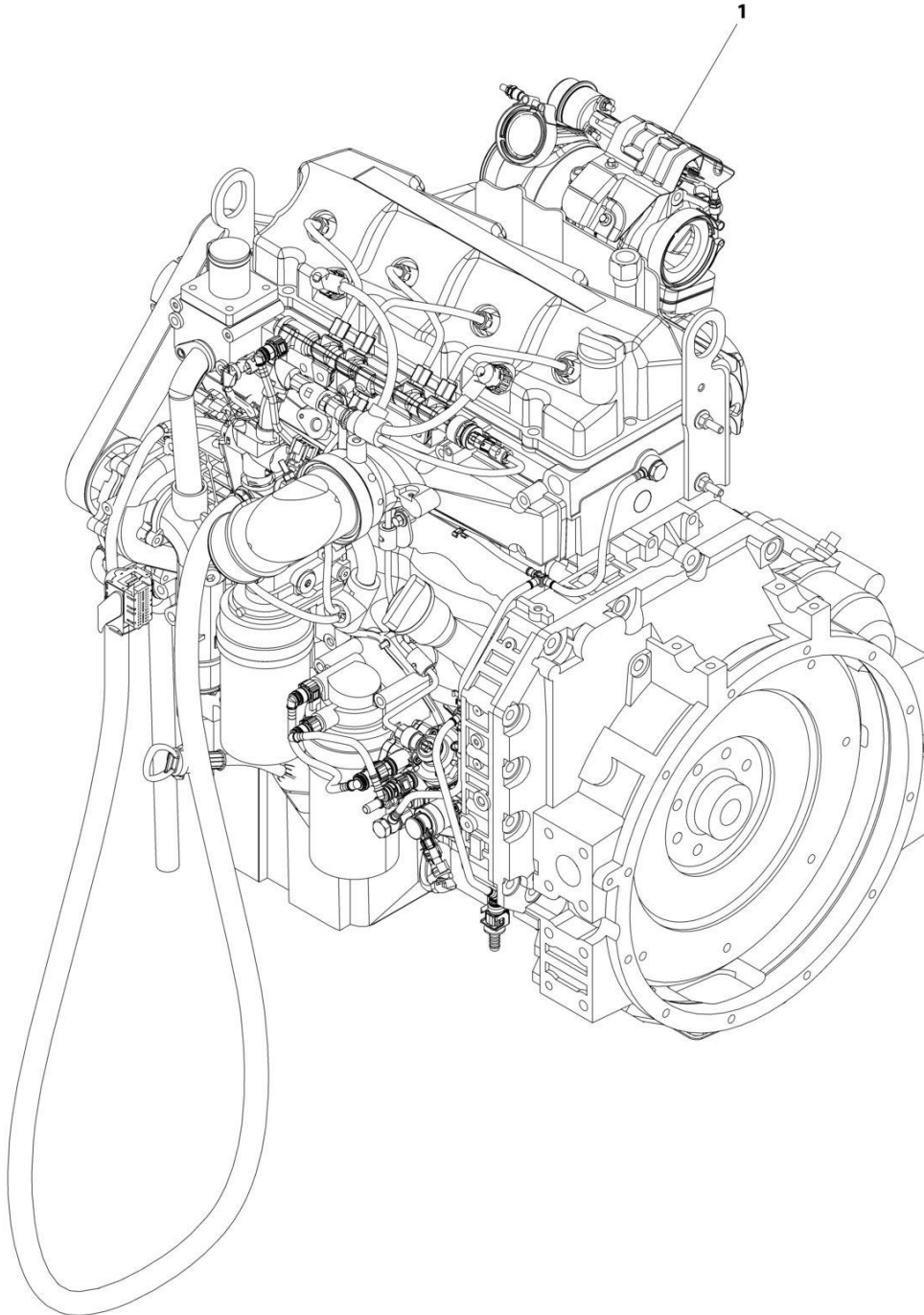
## SECTION 4 - ENGINE AND ATTACHING PARTS

### FIGURE 4-3. 3.8L ENGINE (ULS)

ITEM	PART NUMBER	QTY	DESCRIPTION	REV
1	1001154511	Ref	Engine, QSF 3.8L (if equipped for ULS)	U
	70026220	1	Assembly, Secondary Fuel Filter (includes shell, seal and cartridge)	
	70026453	1	Cartridge, Fuel Filter	
	70026223	1	Pan, Oil	
	70026224	1	Seal, Oil Pan	
	70026225	1	Plug, Oil Pan	
	70026226	1	Seal, Oil Pan Plug	
	1001128594	1	Starter	
	70026228	1	Filler Cap, Valve Cover	
	70026229	1	Fan Belt, V-Ribbed	
	70026230	1	Support, Fan	
	70026231	1	Pulley, Fan	
	70026232	1	Alternator	
	70028450	1	Assembly, Primary Fuel Filter, (includes filter head, seal and element)	
	70026235	1	Assembly, Dipstick Oil Level	
	70026236	1	Assembly, Block Heater	
	70026241	1	Assembly, Fuel Filter Plug	
	70026237	1	Filter, Oil	
	70023933	1	O-Ring, Oil Pressure Switch	
	70041620	2	Ring, Retaining	
	70041616	1	Bolt	
	70041617	1	Bearing, Ball	
	70041619	1	Retainer, Fan Hub	
	1322039	1	Spacer, Fan Pilot	
	1321094	16	Bolt, Fan Drive	
	70024016	1	Cap, Side Oil Fill	
	70022634	1	Flywheel w/Ring Gear	
	70023736	1	Ring Gear, Flywheel	
	1322040	1	Plug, Flywheel	

# SECTION 4 - ENGINE AND ATTACHING PARTS

## FIGURE 4-4. 3.8L ENGINE (LS)



ART\_1001154790



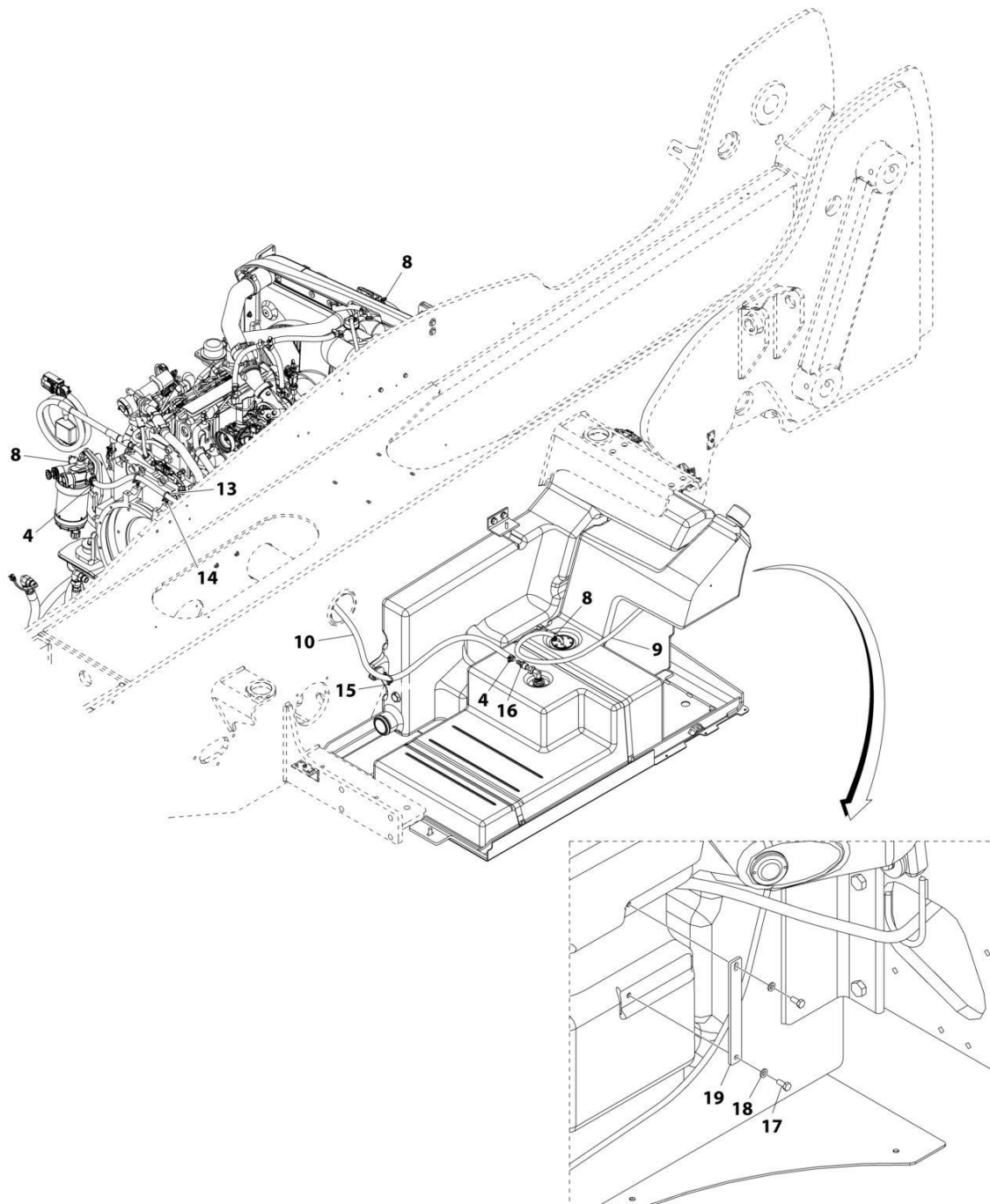
## SECTION 4 - ENGINE AND ATTACHING PARTS

### FIGURE 4-4. 3.8L ENGINE (LS)

ITEM	PART NUMBER	QTY	DESCRIPTION	REV
1	1001154790	Ref	3.8L Engine (LS)	L
	70026800	1	Fuel Filter Assembly	
	70026801	1	Fuel Filter Element	
	70026222	1	Assembly, Flywheel Housing	
	70027281	1	Pan, Oil	
	70026224	1	Seal, Oil Pan	
	70026225	1	Plug, Oil Pan	
	70026226	1	Seal, Oil Pan Plug	
	1001128594	1	Starter	
	70026228	1	Filler Cap, Valve Cover	
	70026229	1	Fan Belt, V-Ribbed	
	70026230	1	Support, Fan	
	70026231	1	Pulley, Fan	
	70026232	1	Alternator	
	70026233	1	Assembly, Primary Fuel Filter	
	70026234	1	Element, Fuel Filter	
	70026235	1	Assembly, Dipstick Oil Level	
	70026241	1	Assembly, Fuel Filter Plug	
	70026237	1	Filter, Oil	
	70041620	2	Ring, Retaining	
	70041616	1	Bolt	
	70041617	1	Bearing, Ball	
	70041619	1	Retainer, Fan Hub	
	1322039	1	Spacer, Fan Pilot	
	1321094	17	Screw	
	70024016	1	Cap, Side Oil Fill	
	70022634	1	Flywheel w/Ring Gear	
	70023736	1	Ring Gear, Flywheel	
	1322040	1	Plug, Flywheel	

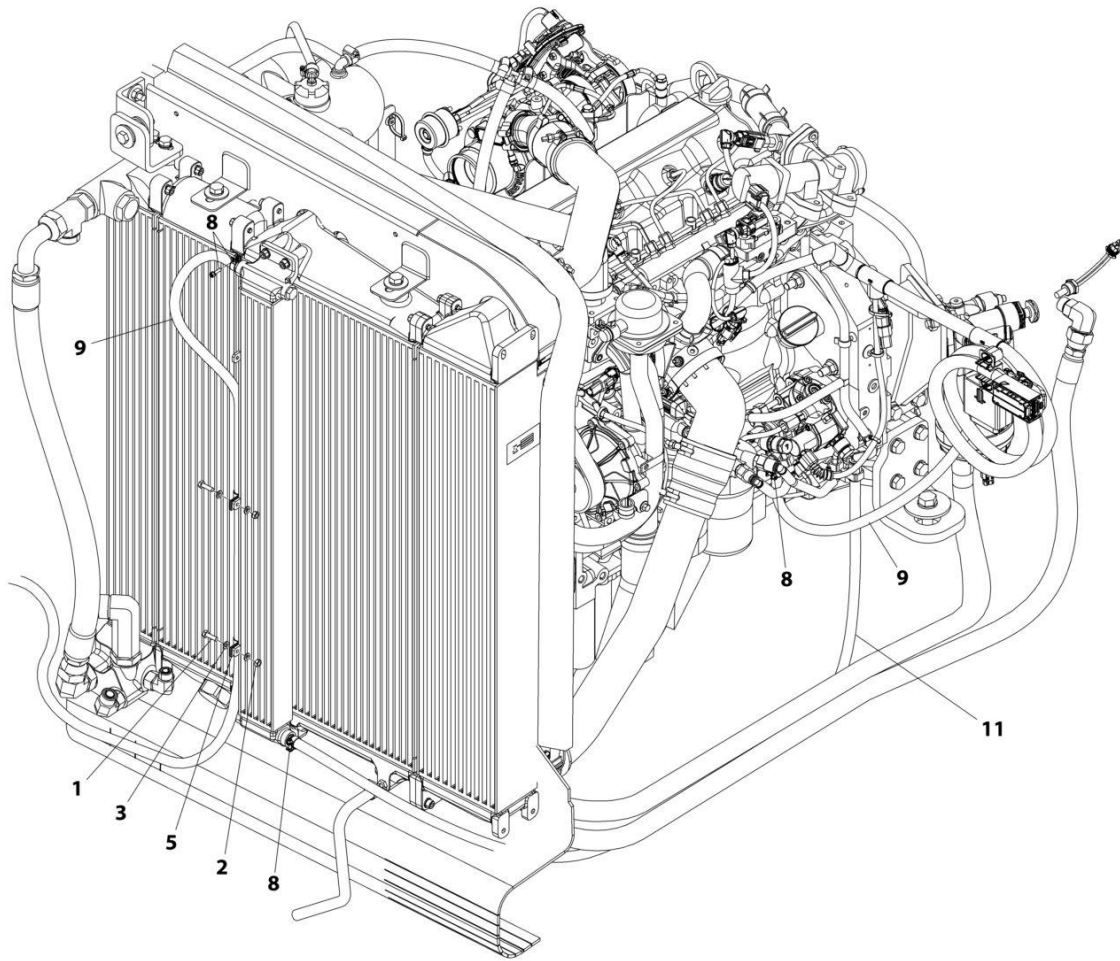
# SECTION 4 - ENGINE AND ATTACHING PARTS

## FIGURE 4-5. FUEL LINES INSTALLATION (ULS)



ART\_1001163231-1-J

# SECTION 4 - ENGINE AND ATTACHING PARTS



ART\_1001163231\_2-J

## SECTION 4 - ENGINE AND ATTACHING PARTS

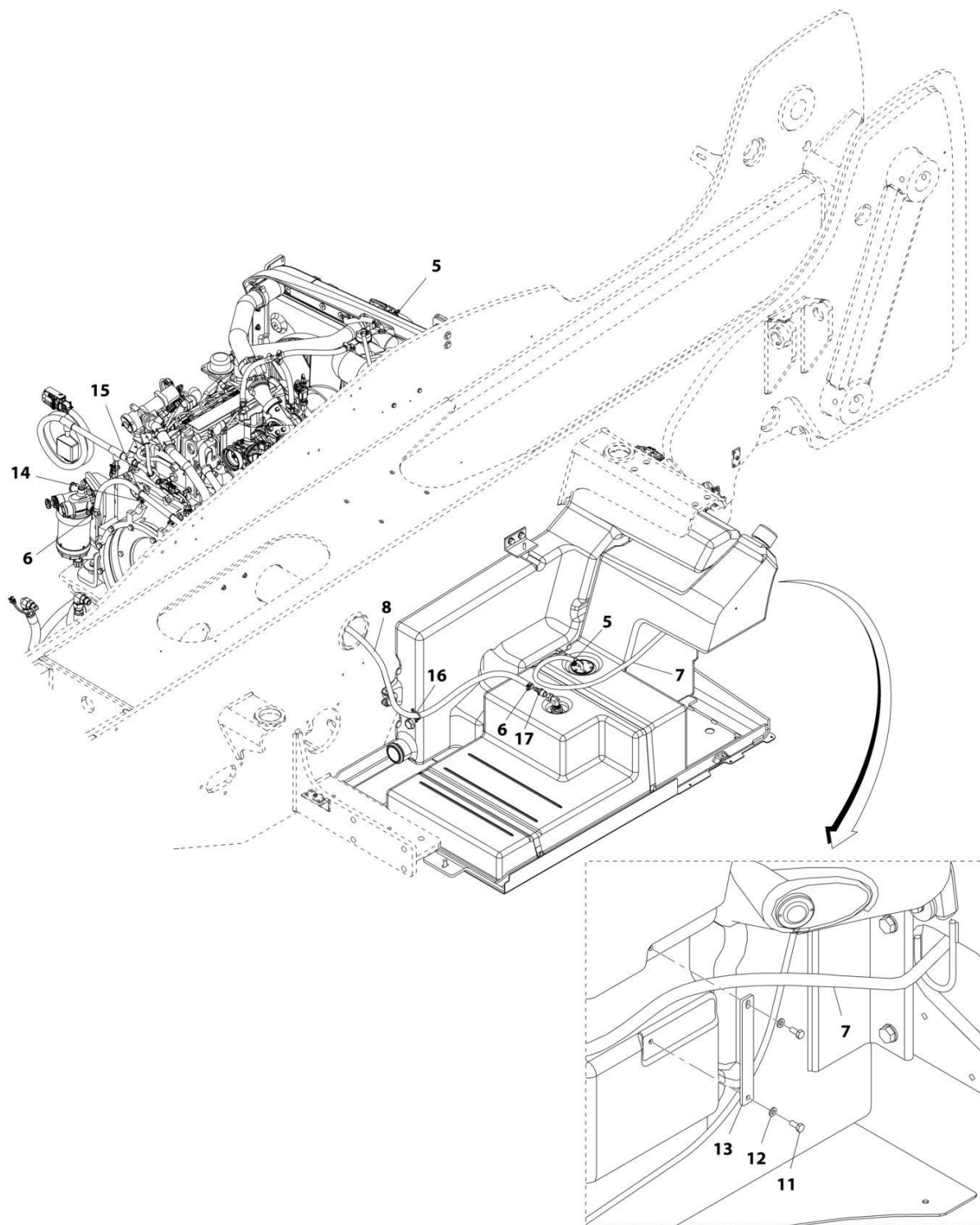
FIGURE 4-5. FUEL LINES INSTALLATION (ULS)

ITEM	PART NUMBER	QTY	DESCRIPTION	REV
	1001163231	Ref	Fuel Lines Installation	J
1	0700610	2	Bolt, M6X20	
2	3290601	2	Nut, M6X1 Grade 8	
3	4811700	4	Washer, M6	
4	1001186342	2	Clip, Hose	
5	8406112	2	Clip, Tube	
8	1001136975	5	Clamp	
9	1001141400	4.3 m	Hose	
10	1001172755	2.4 m	Hose	
11	1001197299	1	Hose	
13	1001008559	2	Strap	
14	1001202986	2	Strap, Fir Tree Push Mount	
15	1001146588	1	Strap	
16	1001206588	1	Fitting	
17	0760607	2	Nut, M6X14	
18	4831700	2	Washer, Lock M6	
19	1001196440	1	Plate, Retainer	



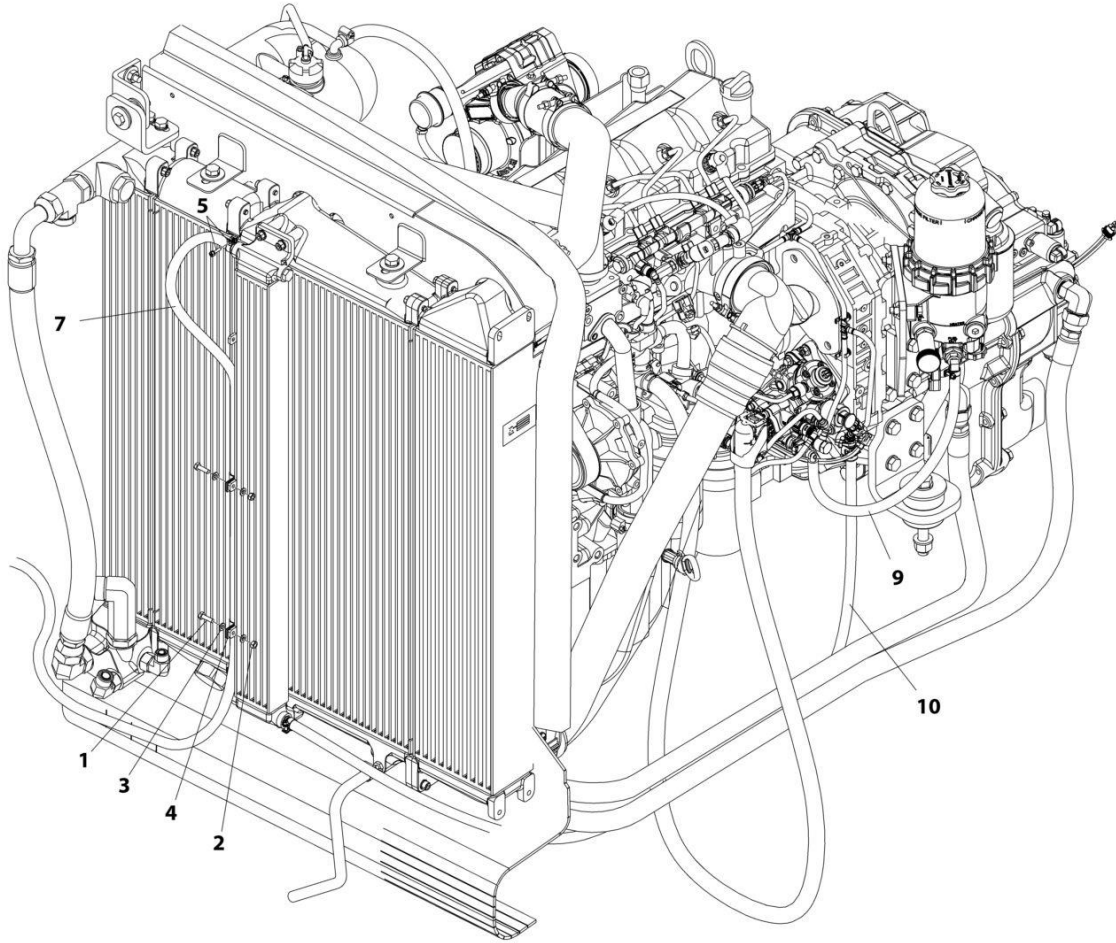
# SECTION 4 - ENGINE AND ATTACHING PARTS

## FIGURE 4-6. FUEL LINES INSTALLATION (LS)



ART\_1001163241\_1-G

# SECTION 4 - ENGINE AND ATTACHING PARTS



ART\_1001163241\_2-G

## SECTION 4 - ENGINE AND ATTACHING PARTS

FIGURE 4-6. FUEL LINES INSTALLATION (LS)

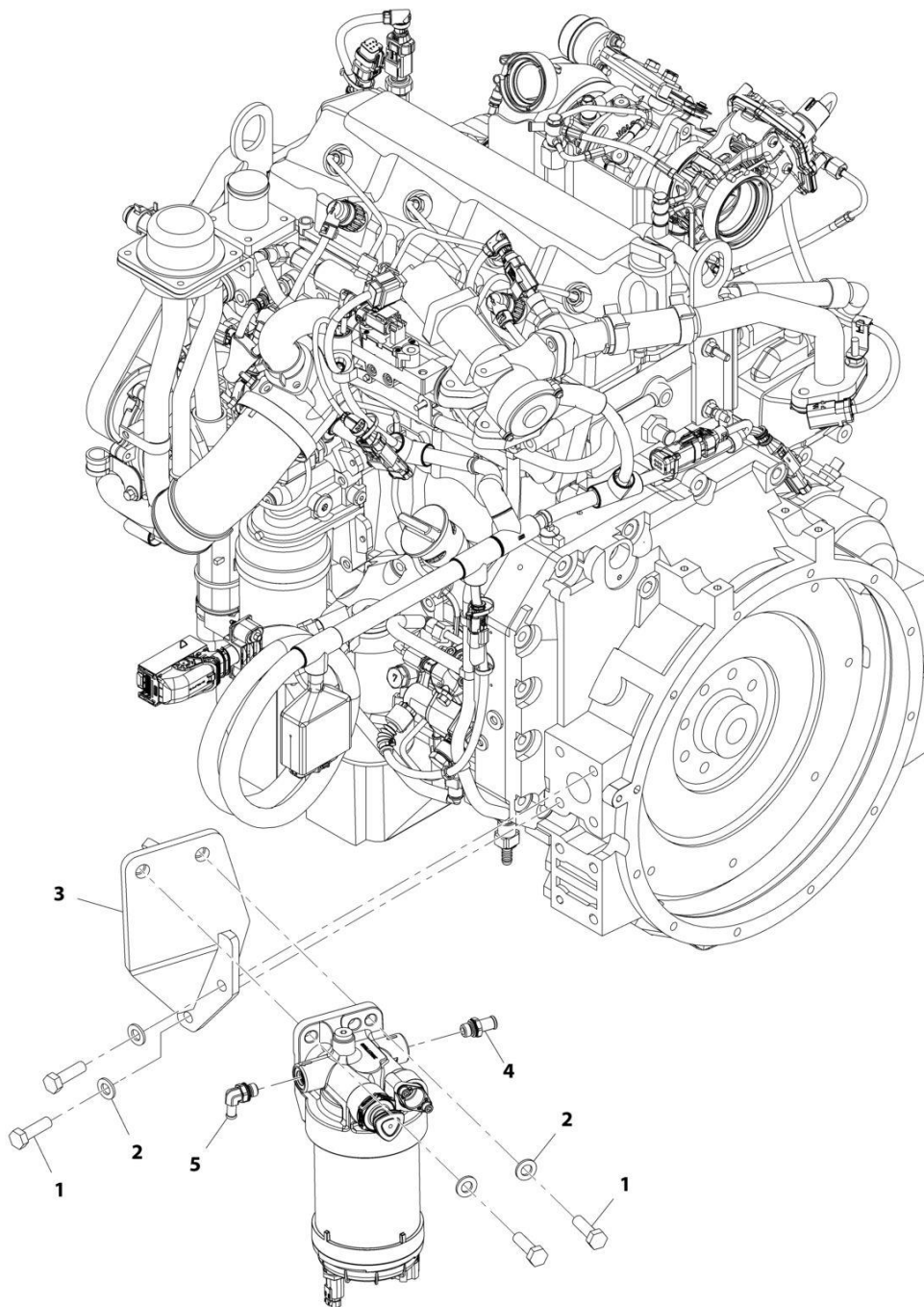
ITEM	PART NUMBER	QTY	DESCRIPTION	REV
	1001163241	Ref	Fuel Lines Installation (LS)	G
1	0700610	2	Bolt, M6X20	
2	3290601	2	Nut, M6X1 Grade 8	
3	4811700	4	Washer, M6	
4	8406112	2	Clip	
5	1001136975	4	Clamp	
6	1001186342	2	Clip	
7	1001141400	3.7 m	Hose	
8	1001172755	2.4 m	Hose	
9	1001190980	1	Hose	
10	1001197299	1	Hose	
11	0760607	2	Bolt, M6X14	
12	4831700	2	Washer, Lock M6	
13	1001196440	1	Plate, Retainer	
14	1001202986	2	Strap, Fir Tree Push Mount	
15	1001008559	2	Strap	
16	1001146588	1	Strap	
17	1001206588	1	Fitting	





# SECTION 4 - ENGINE AND ATTACHING PARTS

## FIGURE 4-7. PRIMARY FUEL FILTER INSTALLATION (ULS)



ART\_1001163235-F

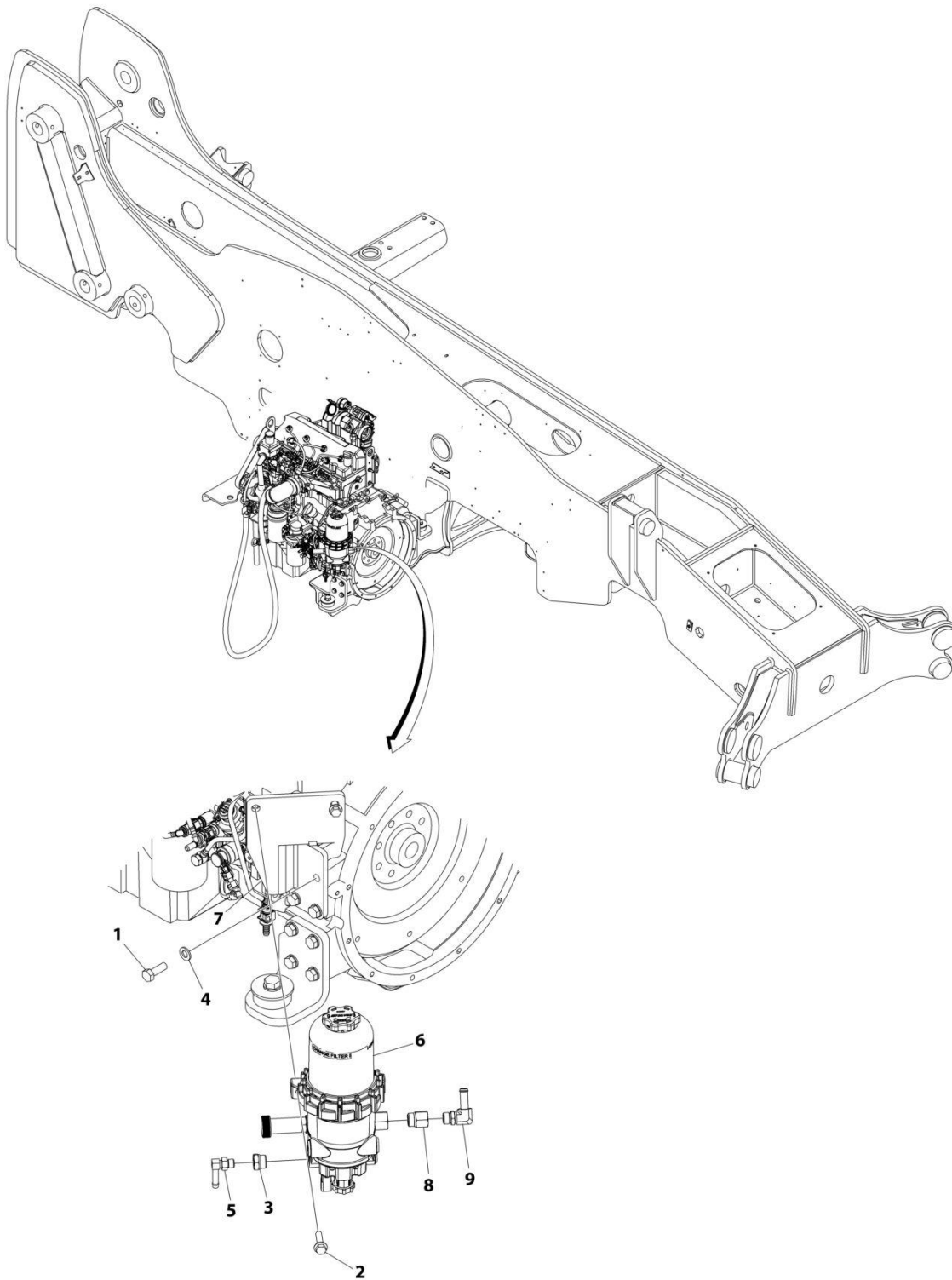
## SECTION 4 - ENGINE AND ATTACHING PARTS

FIGURE 4-7. PRIMARY FUEL FILTER INSTALLATION (ULS)

ITEM	PART NUMBER	QTY	DESCRIPTION	REV
	1001163235	Ref	Primary Fuel Filter Installation	F
1	0701216	4	Bolt, M12X40	
2	4812100	4	Washer, M12	
3	1001206019	1	Bracket, Fuel Filter Mount	
4	1001217467	1	Barb, Hose	
5	1001182094	1	Hose	

# SECTION 4 - ENGINE AND ATTACHING PARTS

## FIGURE 4-8. PRIMARY FUEL FILTER INSTALLATION (LS)



ART\_1001180076\_E

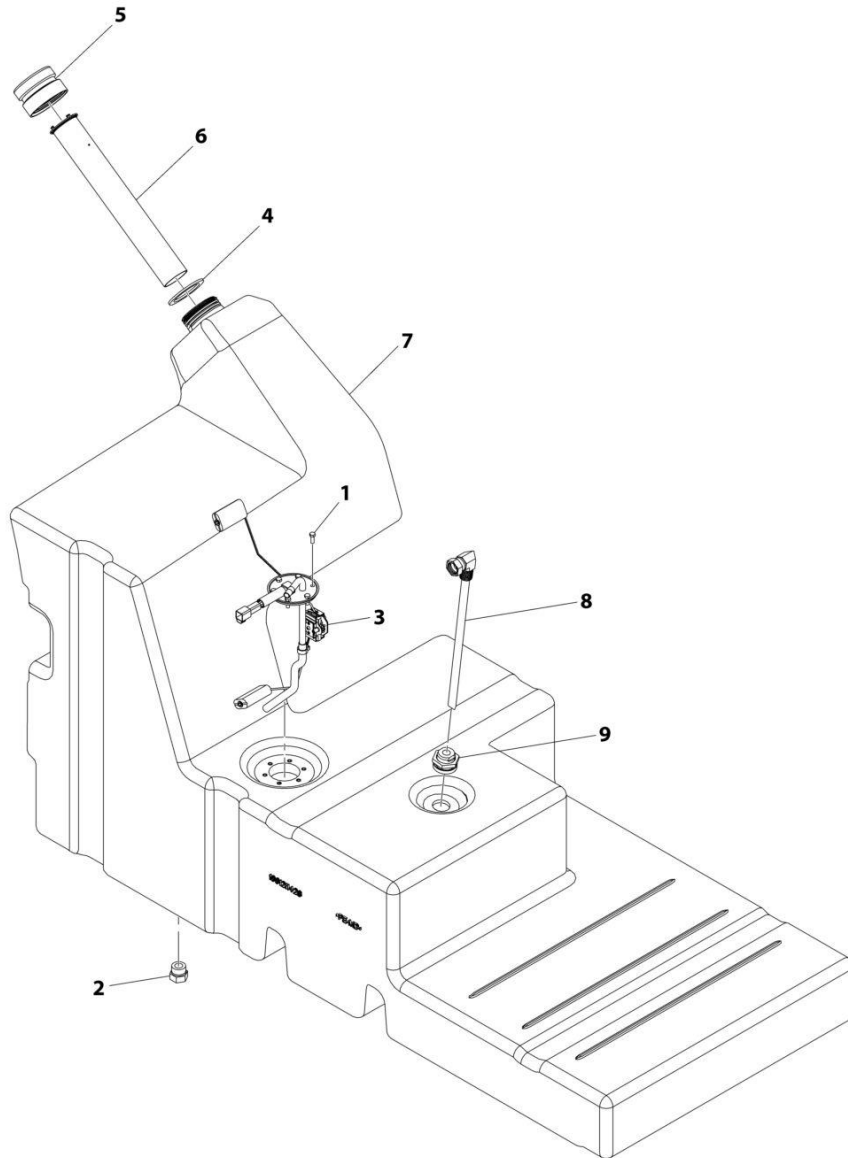
## SECTION 4 - ENGINE AND ATTACHING PARTS

FIGURE 4-8. PRIMARY FUEL FILTER INSTALLATION (LS)

ITEM	PART NUMBER	QTY	DESCRIPTION	REV
	1001180076	Ref	Primary Fuel Filter Installation (LS)	E
1	0701215	3	Bolt, M12X35	
2	0781016	2	Bolt, M10X40	
3	2220218	1	Fitting, Straight ORFS	
4	4812100	3	Washer, M12	
5	8430034	1	Elbow, 90	
6	1001133534	1	Filter, Fuel	
7	1001180078	1	Bracket, Fuel Filter Mount	
8	2220810	1	Fitting, Straight	
9	1001200239	1	Fitting, 90 ORFS	

# SECTION 4 - ENGINE AND ATTACHING PARTS

## FIGURE 4-9. FUEL TANK ASSEMBLY



ART\_1001211432-F

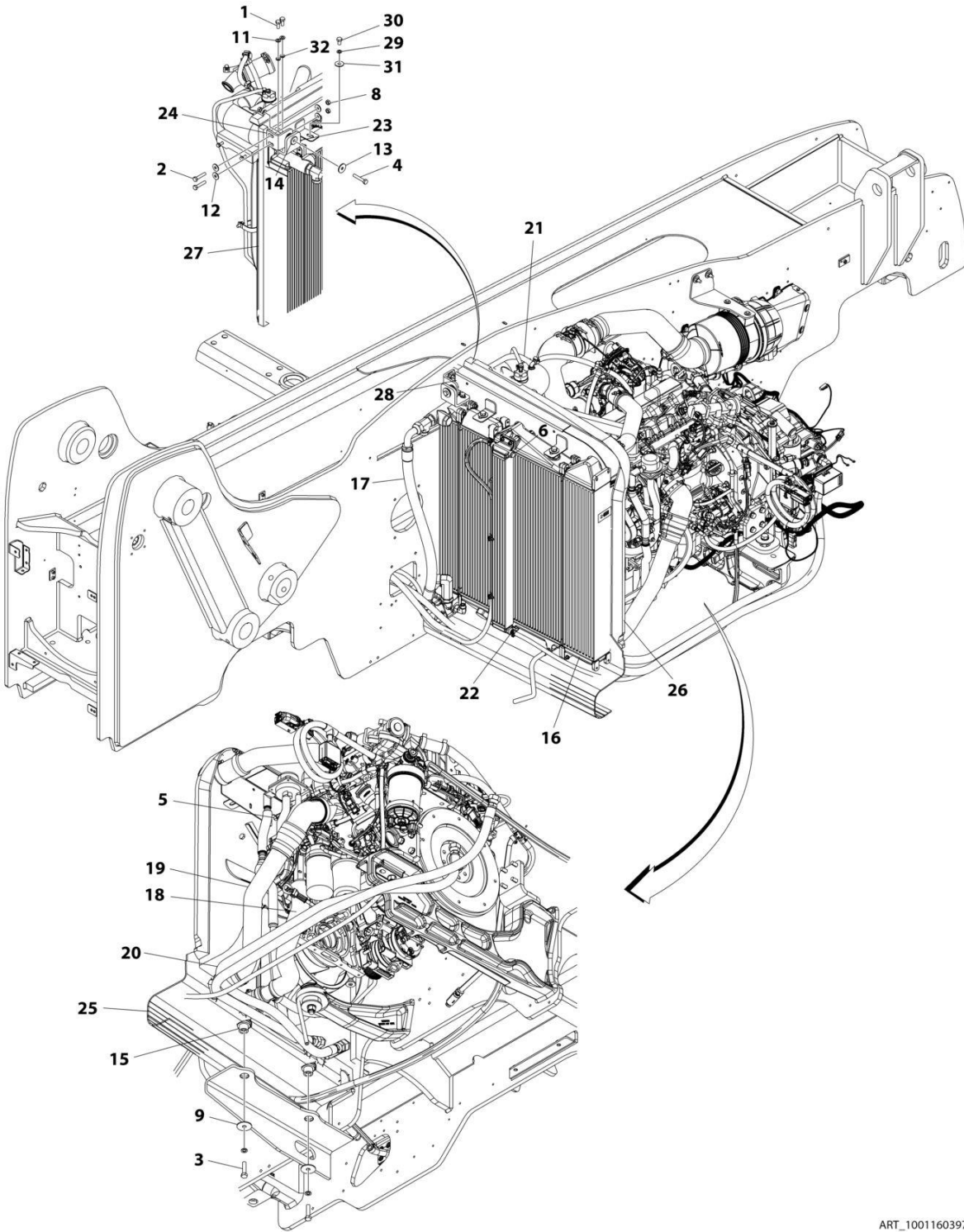
## SECTION 4 - ENGINE AND ATTACHING PARTS

### FIGURE 4-9. FUEL TANK ASSEMBLY

ITEM	PART NUMBER	QTY	DESCRIPTION	REV
	1001211432	Ref	Fuel Tank Assembly	F
1	0760507	6	Bolt, M5X14	
2	1001003427	1	Plug	
3	1001235100	1	Gauge, Fuel Level	
4	1001172178	1	Gasket	
5	1001207282	1	Adapter, Tank Cap	
6	1001207557	1	Pipe, Fuel Tank Drop	
7	1001211428	1	Tank, Fuel	
8	1001211429	1	Coupling, ORFS	
9	1001211747	1	Pipe, Fuel Supply	

# SECTION 4 - ENGINE AND ATTACHING PARTS

## FIGURE 4-10. COOLING PACKAGE INSTALLATION (ULS)



ART\_1001160397\_I



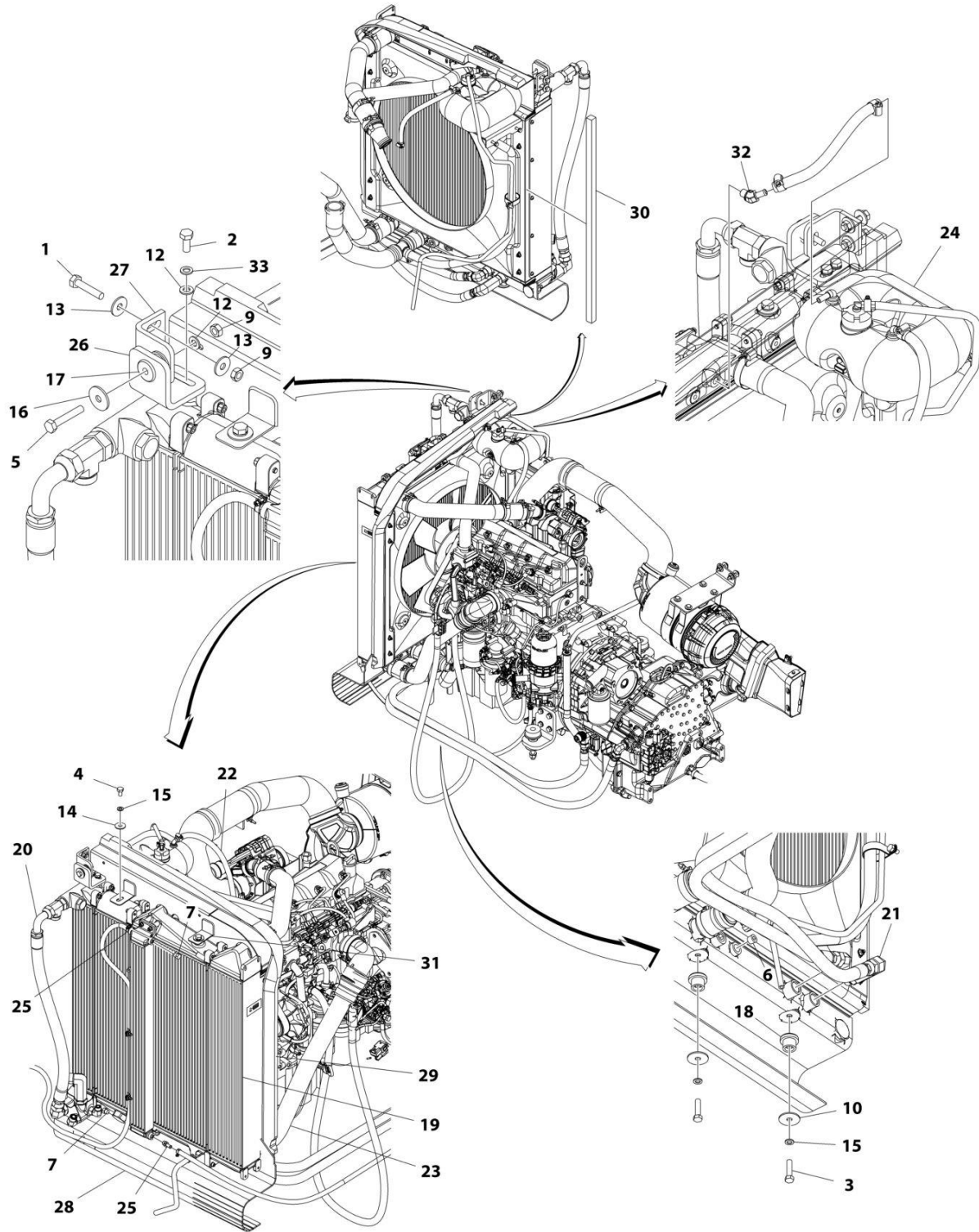
## SECTION 4 - ENGINE AND ATTACHING PARTS

**FIGURE 4-10. COOLING PACKAGE INSTALLATION (ULS)**

ITEM	PART NUMBER	QTY	DESCRIPTION	REV
	1001160397	Ref	Cooling Package Installation (ULS)	I
1	0761012	2	Bolt, M10X25	
2	0701018	2	Bolt, M10X50	
3	0761218	2	Bolt, M12X50	
4	0701020	1	Bolt, M10X60	
5	1001174356	1	Barb, Hose	
6	2220237	2	Plug	
8	3291001	3	Nut, M10X1.5 Grade 8	
9	4740274	4	Washer	
11	4812000	3	Washer, M10	
12	4812002	4	Washer, M10	
13	1001155540	2	Washer	
14	8278020	1	Mount	
15	1001114803	2	Mount	
16	1001159347	1	Radiator Cooling Package (See Separate Breakdown in this Section)	
17	1001163082	1	Installation, HOC Lines (See Separate Breakdown in this Section)	
18	1001163245	1	Installation, Coolant Lines (ULS) (See Separate Breakdown in this Section)	
19	1001163246	1	Installation, CAC Lines (ULS) (See Separate Breakdown in this Section)	
20	1001163247	1	Installation, TOC Lines (See Separate Breakdown in this Section)	
21	1001167078	1	Installation, Surge Tank (See Separate Breakdown in this Section)	
22	1001168030	2	Barb, Hose	
23	1001169173	1	Bracket	
24	1001169174	1	Bracket	
25	1001169965	1	Panel	
26	1001173452	1	Seal, Foam Gasket	
27	1001173457	1	Seal, Foam Gasket	
28	1001173546	1	Bracket	
29	4832100	4	Washer, Lock M12	
30	0761210	2	Bolt, M12X20	
31	4812102	2	Washer, M12	
32	4832000	2	Washer, Lock M10	

# SECTION 4 - ENGINE AND ATTACHING PARTS

## FIGURE 4-11. COOLING PACKAGE INSTALLATION (LS)



ART\_1001160402\_F

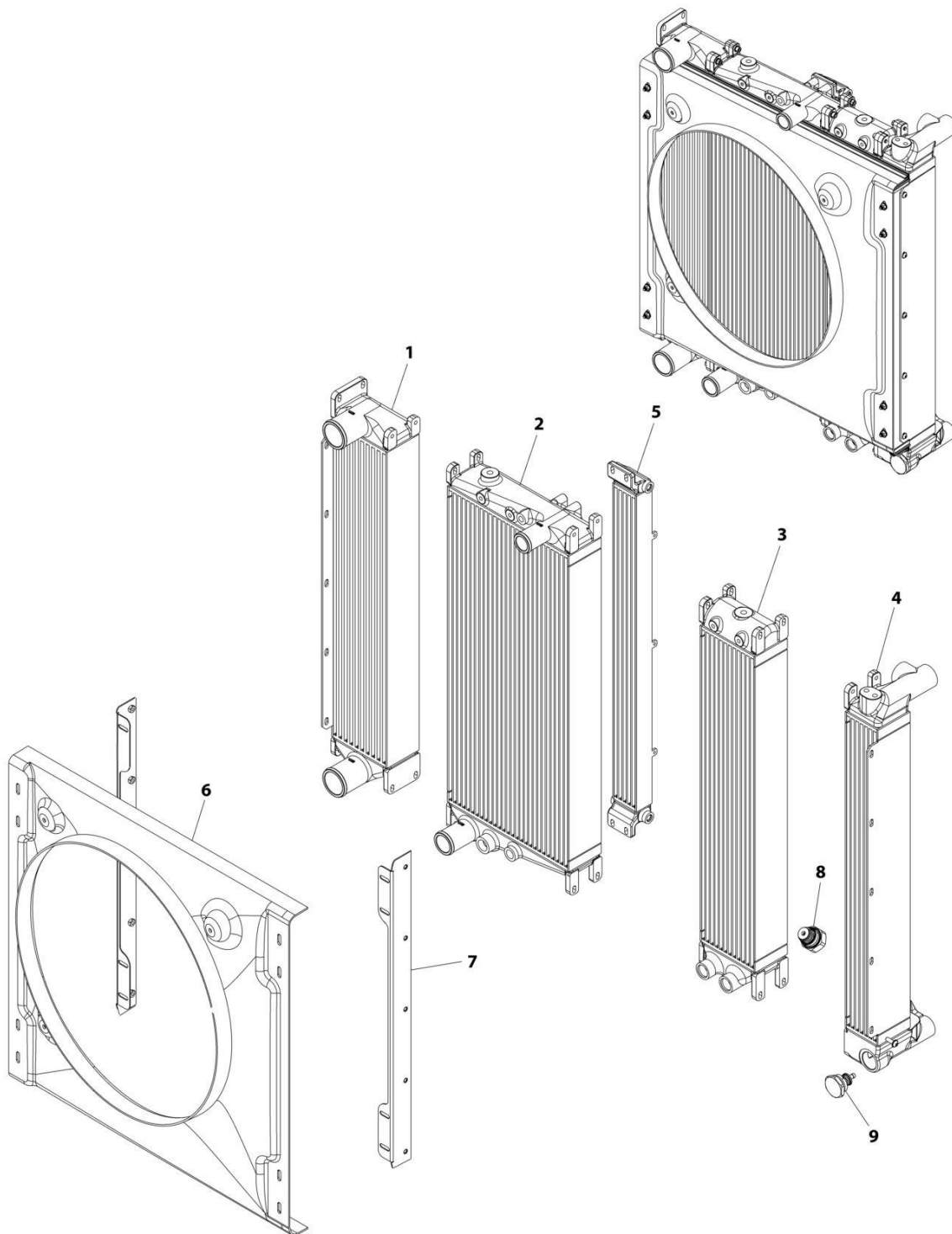
## SECTION 4 - ENGINE AND ATTACHING PARTS

**FIGURE 4-11. COOLING PACKAGE INSTALLATION (LS)**

ITEM	PART NUMBER	QTY	DESCRIPTION	REV
	1001160402	Ref	Cooling Package Installation (LS)	F
1	0701018	2	Bolt, M10X50	
2	0761012	2	Bolt, M10X25	
3	0761218	2	Bolt, M12X50	
4	0771210	2	Bolt, M12X20 Grade 10.9	
5	0701020	1	Bolt, M10X60	
6	2200223	1	Plug	
7	2220237	2	Plug	
9	3291001	3	Nut, M10X1.5 Grade 8	
10	4740274	4	Washer	
12	4812000	3	Washer, M10	
13	4812002	4	Washer, M10	
14	4812102	2	Washer, M12	
15	4832100	4	Washer, Lock M12	
16	1001155540	2	Washer	
17	8278020	1	Mount	
18	1001114803	2	Mount	
19	1001159347	1	Radiator Cooling Package (See Separate Breakdown in this Section)	
20	1001163082	1	Installation, HOC Lines (See Separate Breakdown in this Section)	
21	1001163247	1	Installation, TOC Lines (See Separate Breakdown in this Section)	
22	1001163248	1	Installation, Coolant Lines (LS) (See Separate Breakdown in this Section)	
23	1001163249	1	Installation, CAC Lines (LS) (See Separate Breakdown in this Section)	
24	1001167078	1	Installation, Surge Tank (See Separate Breakdown in this Section)	
25	1001168030	2	Barb, Hose	
26	1001169173	1	Bracket	
27	1001169174	1	Bracket	
28	1001169965	1	Panel, Air Dam	
29	1001173452	1	Gasket	
30	1001173457	1	Gasket	
31	1001173546	1	Bracket, Air Baffle	
32	1001174356	1	Barb, Hose	
33	4832000	2	Washer, Lock M10	

# SECTION 4 - ENGINE AND ATTACHING PARTS

## FIGURE 4-12. RADIATOR COOLING PACKAGE



ART\_1001159347\_H

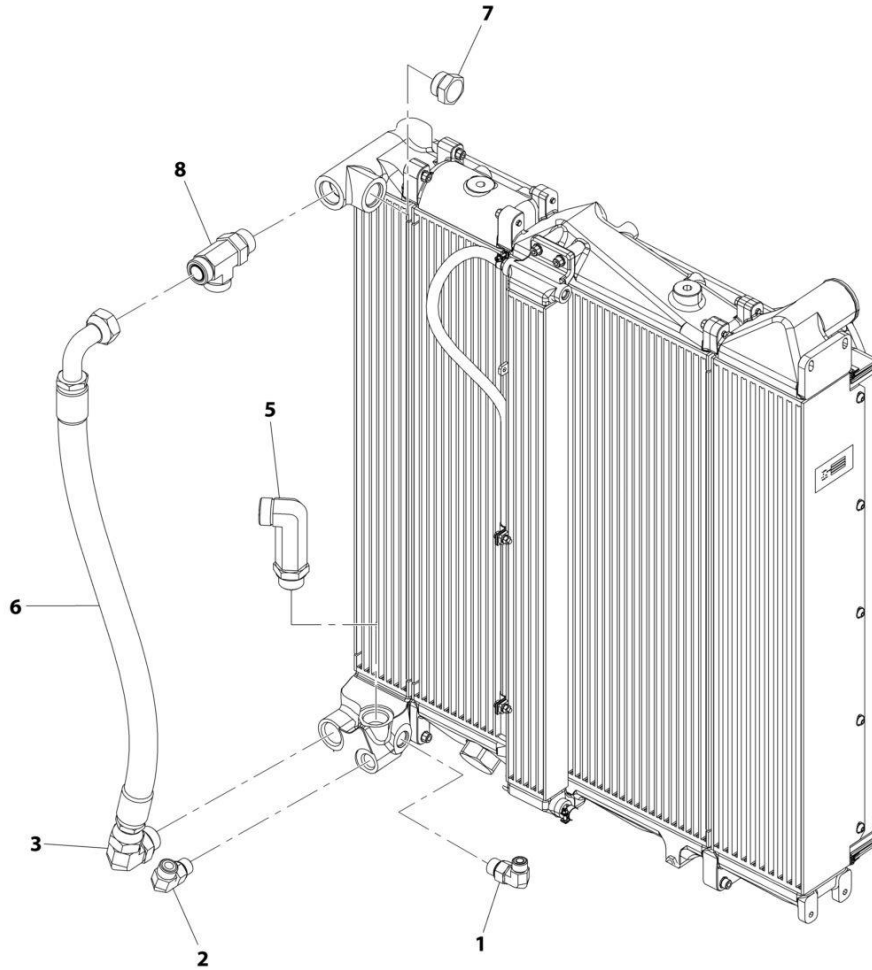
## SECTION 4 - ENGINE AND ATTACHING PARTS

FIGURE 4-12. RADIATOR COOLING PACKAGE

ITEM	PART NUMBER	QTY	DESCRIPTION	REV
	1001159347	Ref	Radiator Cooling Package	H
1	70026353	1	Cooler, Air Charge	
2	70026354	1	Radiator	
3	70026355	1	Cooler, Transmission Oil	
4	70026356	1	Cooler, Hydraulic Oil	
5	70026357	1	Cooler, Fuel	
6	70026358	1	Shroud	
7	70026359	2	Bracket, Shroud Mounting	
8	70026082	1	Valve, Bypass	
9	70026360	1	Valve, Bypass	

# SECTION 4 - ENGINE AND ATTACHING PARTS

## FIGURE 4-13. HOC LINES INSTALLATION



ART\_1001163082-D

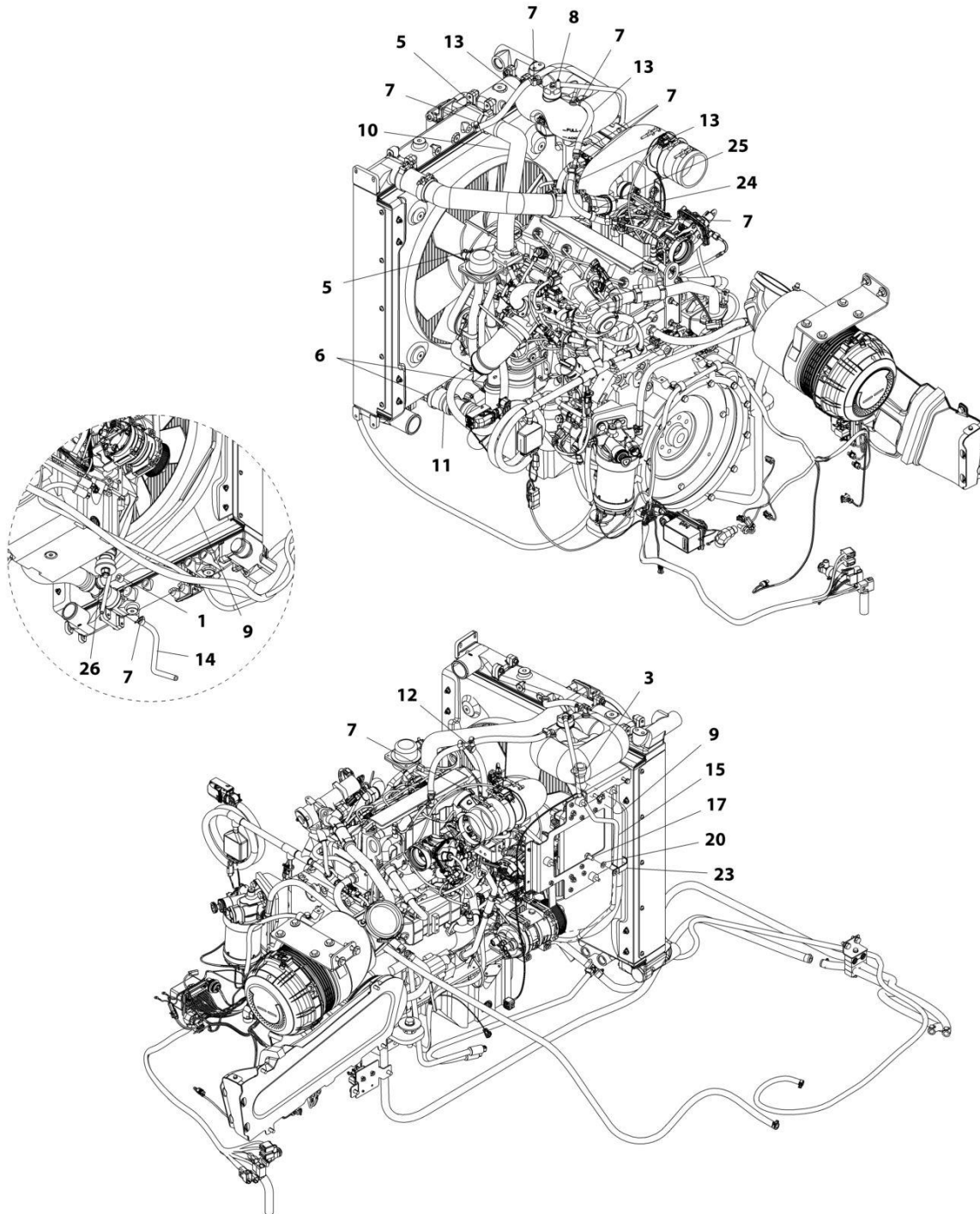
# SECTION 4 - ENGINE AND ATTACHING PARTS

## FIGURE 4-13. HOC LINES INSTALLATION

ITEM	PART NUMBER	QTY	DESCRIPTION	REV
	1001163082	Ref	HOC Lines Installation	D
1	2130810	1	Fitting, ORFS	
2	2131010	1	Fitting, ORFS	
3	2131616	1	Fitting, ORFS	
5	2170216	1	Fitting, ORFS	
6	1001163723	1	Hose	
7	2220242	1	Fitting	
8	2170316	1	Fitting, Tee ORFS	

# SECTION 4 - ENGINE AND ATTACHING PARTS

## FIGURE 4-14. COOLANT LINES INSTALLATION (ULS)



ART\_1001163245-I



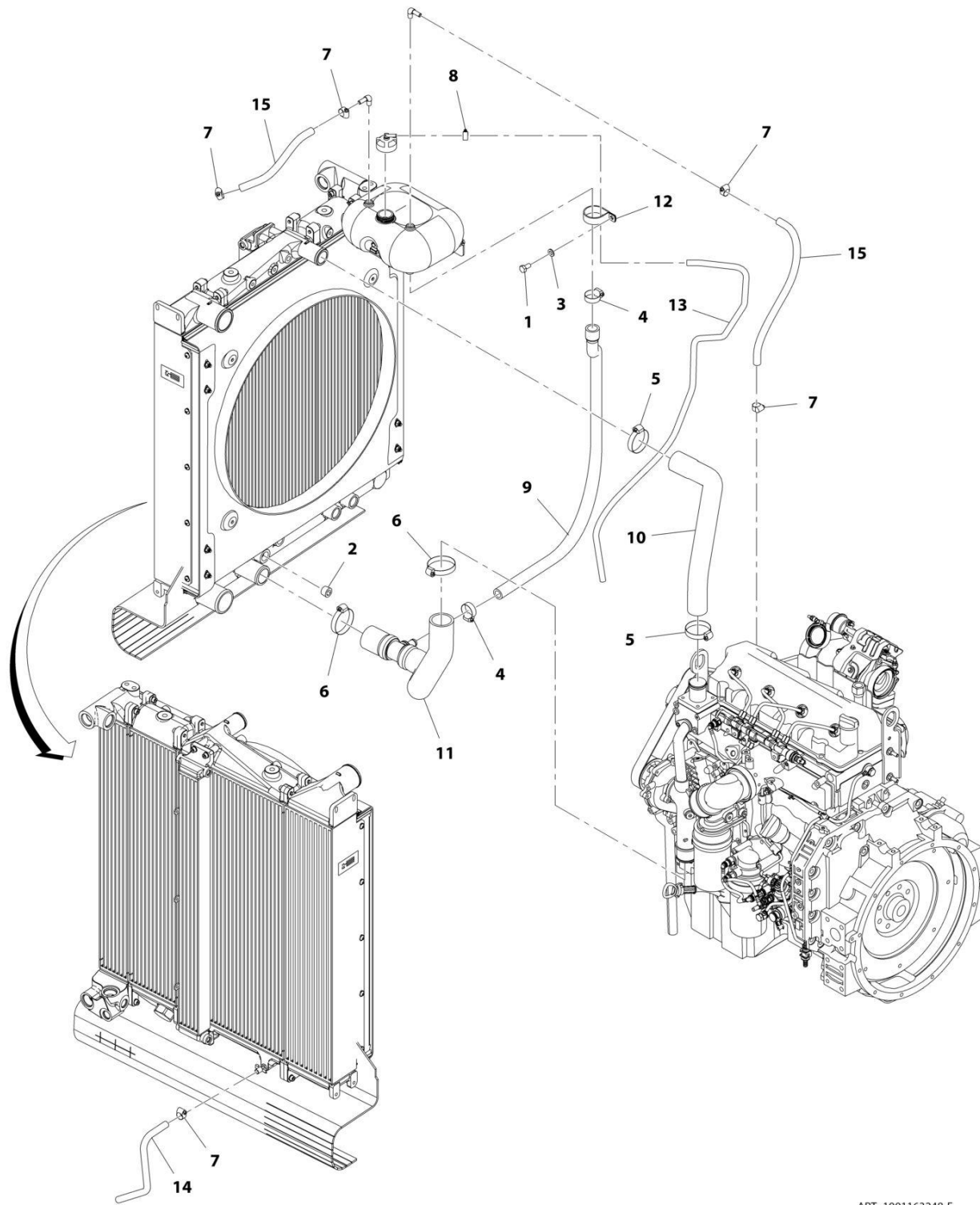
## SECTION 4 - ENGINE AND ATTACHING PARTS

**FIGURE 4-14. COOLANT LINES INSTALLATION (ULS)**

ITEM	PART NUMBER	QTY	DESCRIPTION	REV
	1001163245	Ref	Coolant Lines Installation (ULS)	I
1	2200224	1	Plug	
3	8405101	AR	Clamp, Gear	
5	8405201	2	Clamp, Gear	
6	8405202	2	Clamp, Gear	
7	8410013	9	Clamp, Gear	
8	8405009	1	Clamp, Gear	
9	1001182011	1	Hose	
10	1001166430	1	Pipe	
11	1001182012	1	Hose	
12	1001172953	1	Pipe, Tee	
13	1001181625	1042 mm	Hose	
14	1001180553	370 mm	Hose	
15	1001180542	1680 mm	Hose	
17	0761010	1	Bolt, M10X20	
20	4812000	1	Washer, M10	
23	1001097588	1	Clamp	
24	8410019	1	Clamp, 7/8	
25	0760605	1	Bolt, 6X10	
26	8405007	1	Clamp	

# SECTION 4 - ENGINE AND ATTACHING PARTS

## FIGURE 4-15. COOLANT LINES INSTALLATION (LS)



ART\_1001163248-F

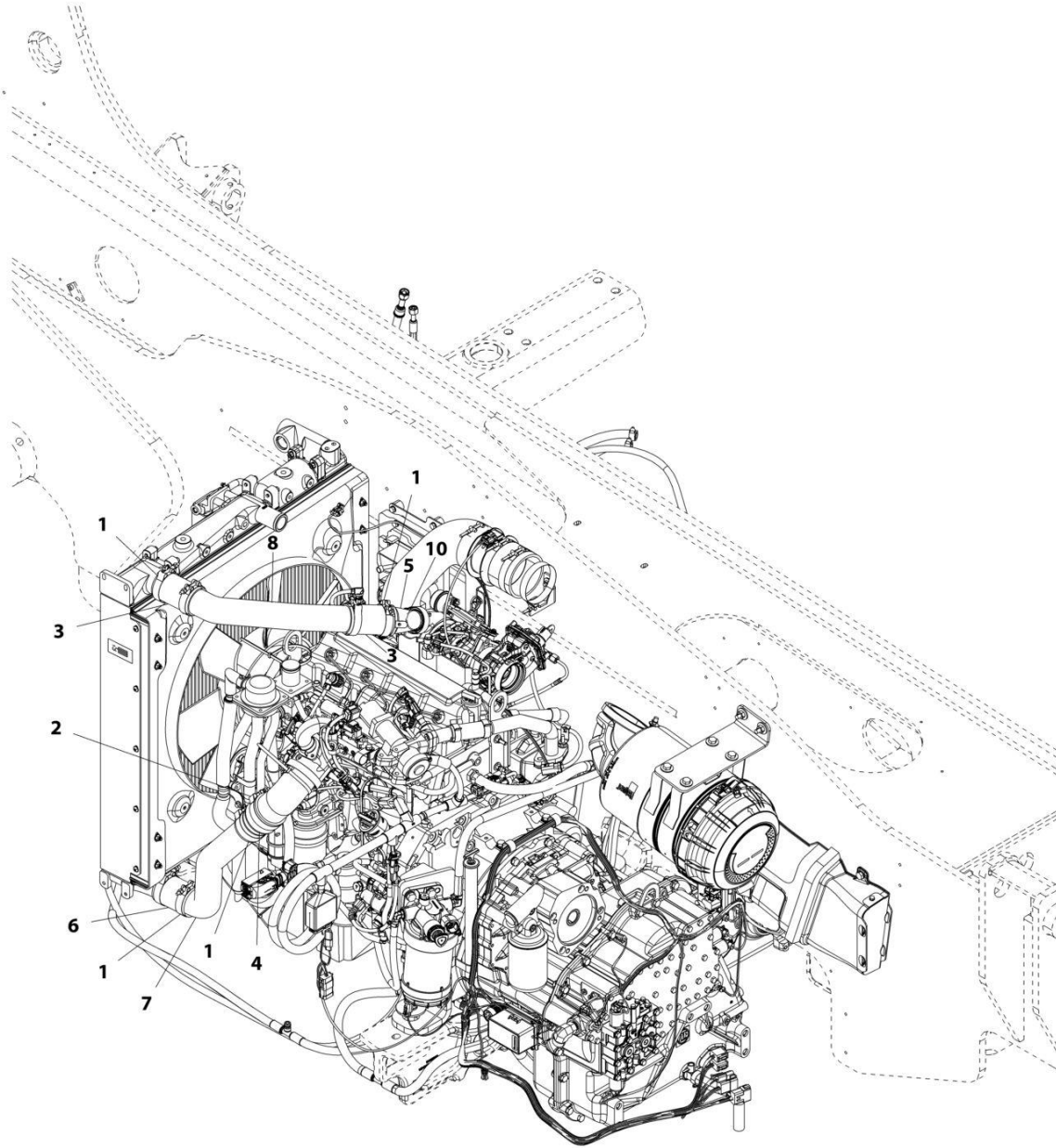
## SECTION 4 - ENGINE AND ATTACHING PARTS

**FIGURE 4-15. COOLANT LINES INSTALLATION (LS)**

ITEM	PART NUMBER	QTY	DESCRIPTION	REV
	1001163248	Ref	Coolant Lines Installation (LS)	F
1	0761010	1	Bolt, M10X20	
2	2200224	1	Plug	
3	4812000	1	Washer, M10	
4	8405101	2	Clamp, Gear	
5	8405201	2	Clamp, Gear	
6	8405202	2	Clamp, Gear	
7	8410013	5	Clamp, Gear	
8	8405009	1	Clamp, Gear	
9	1001182011	1	Hose	
10	1001166430	1	Pipe	
11	1001182012	1	Hose	
12	1001097588	1	Clamp	
13	1001180542	1680 mm	Hose	
14	1001180553	369 mm	Hose	
15	1001181625	711 mm	Hose	

# SECTION 4 - ENGINE AND ATTACHING PARTS

## FIGURE 4-16. CAC LINES INSTALLATION (ULS)



ART\_1001163246-F

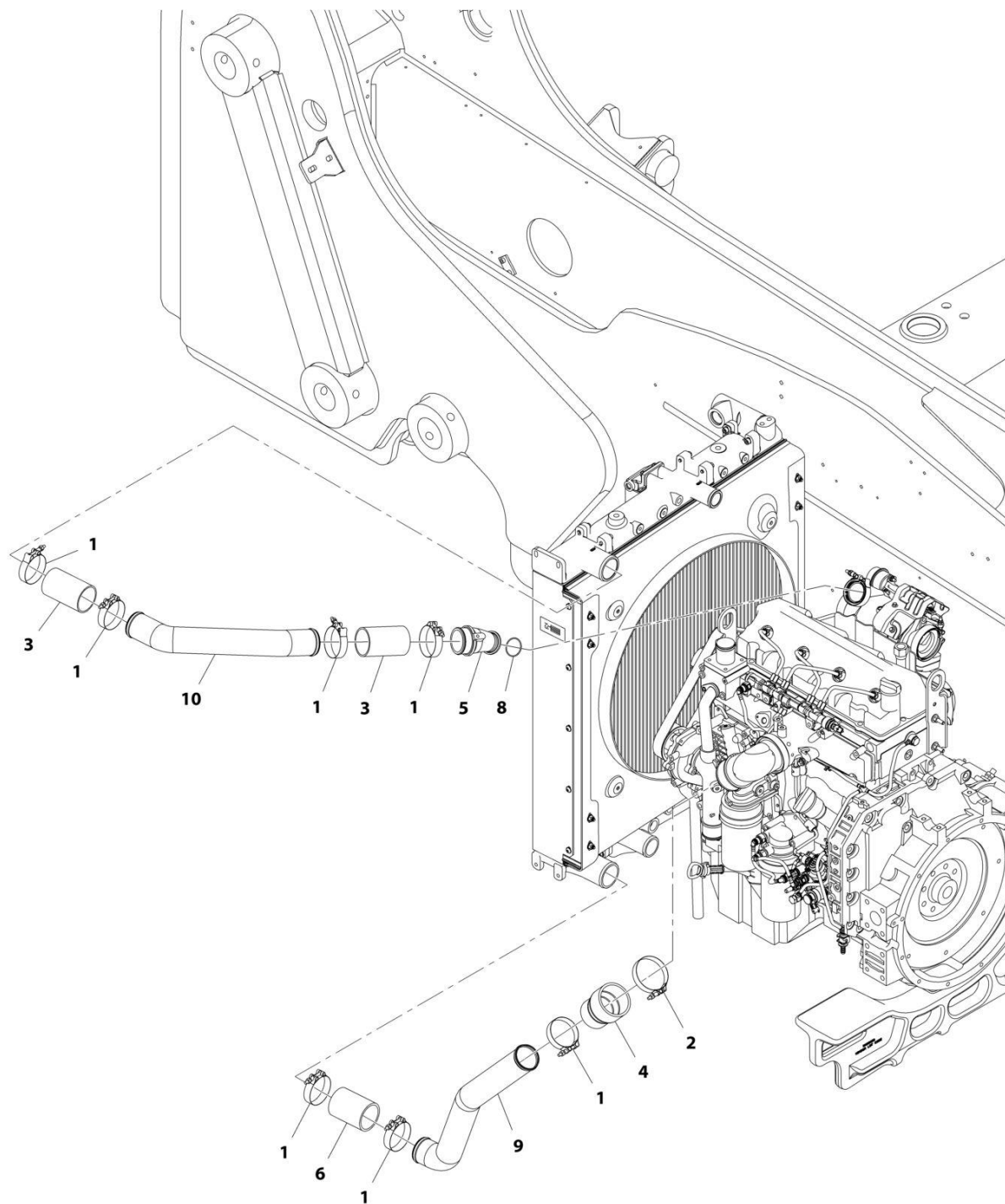
## SECTION 4 - ENGINE AND ATTACHING PARTS

FIGURE 4-16. CAC LINES INSTALLATION (ULS)

ITEM	PART NUMBER	QTY	DESCRIPTION	REV
	1001163246	Ref	CAC Lines Installation (ULS)	F
1	8405212	7	Clamp, T-Bolt	
2	8405305	1	Clamp, T-Bolt	
3	1001114495	2	Hose	
4	1001138348	1	Hose	
5	1001161920	1	Adapter Mech	
6	1001166416	1	Hose	
7	1001166925	1	Pipe	
8	1001166993	1	Pipe	
10	1001172591	1	O-Ring	

# SECTION 4 - ENGINE AND ATTACHING PARTS

## FIGURE 4-17. CAC LINES INSTALLATION (LS)



ART\_1001163249-C

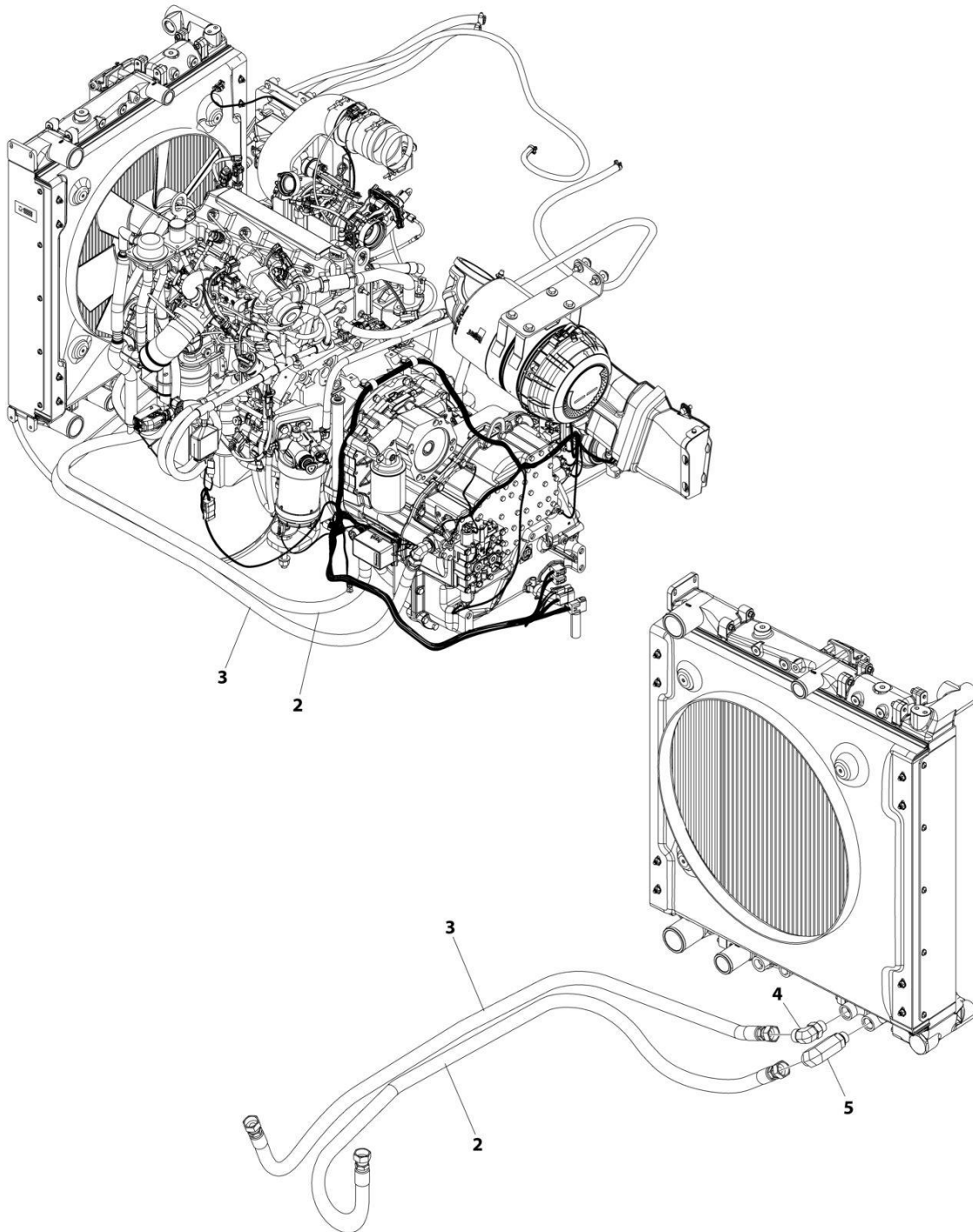
## SECTION 4 - ENGINE AND ATTACHING PARTS

FIGURE 4-17. CAC LINES INSTALLATION (LS)

ITEM	PART NUMBER	QTY	DESCRIPTION	REV
	1001163249	Ref	CAC Lines Installation (LS)	C
1	8405212	7	Clamp, T-Bolt	
2	8405305	1	Clamp, T-Bolt	
3	1001114495	2	Hose	
4	1001138348	1	Hose	
5	1001161920	1	Adapter Mech	
6	1001166416	1	Hose	
8	1001172591	1	O-Ring	
9	1001174832	1	Pipe	
10	1001179376	1	Pipe	

# SECTION 4 - ENGINE AND ATTACHING PARTS

## FIGURE 4-18. TOC LINES INSTALLATION



ART\_1001163247-D



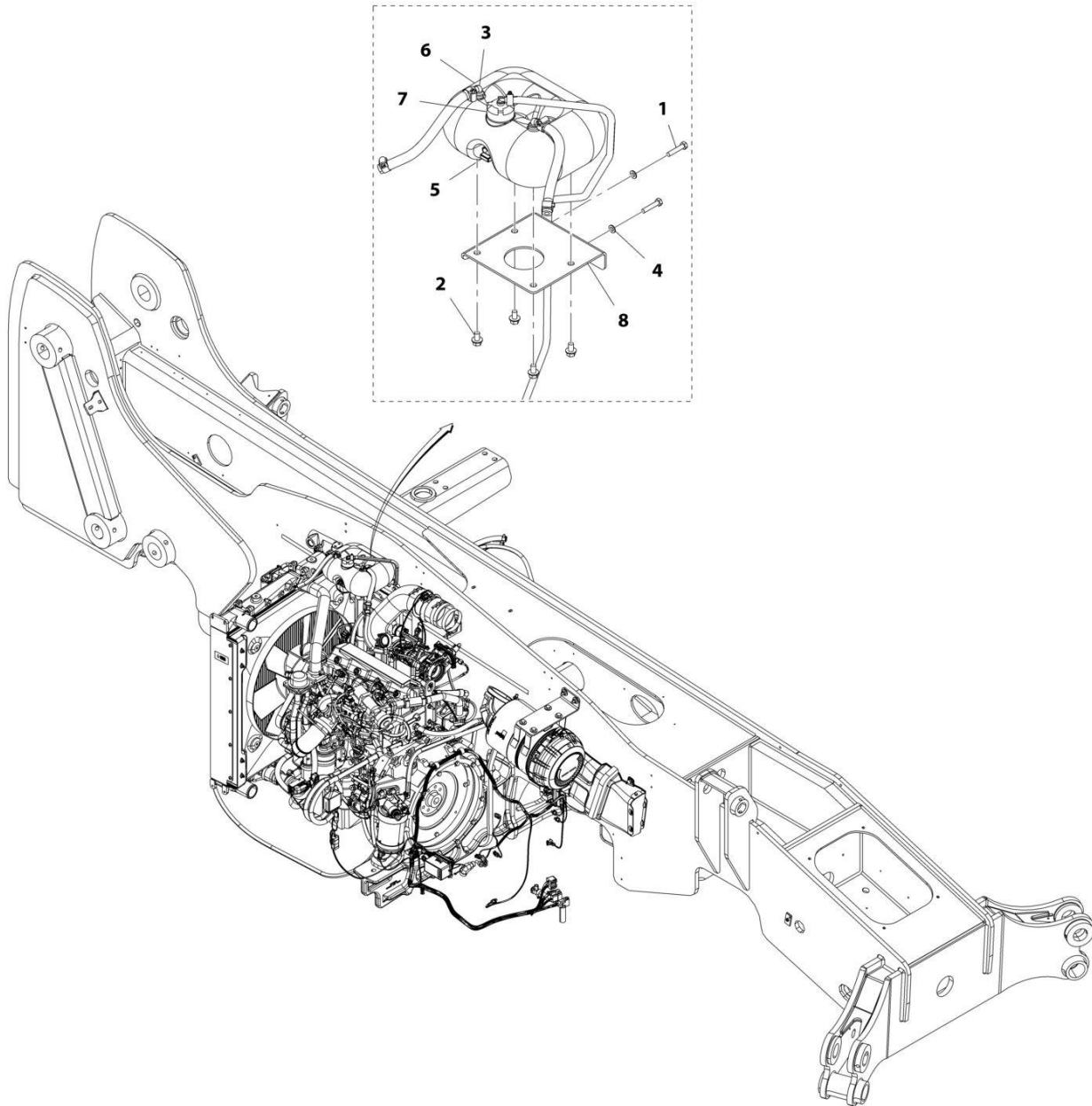
# SECTION 4 - ENGINE AND ATTACHING PARTS

## FIGURE 4-18. TOC LINES INSTALLATION

ITEM	PART NUMBER	QTY	DESCRIPTION	REV
	1001163247	Ref	TOC Lines Installation	D
2	1001169207	1	Hose	
3	1001169393	1	Hose	
4	2131212	1	Fitting, 90 ORFS	
5	2170212	1	Fitting, 90 ORFS	

# SECTION 4 - ENGINE AND ATTACHING PARTS

## FIGURE 4-19. SURGE TANK INSTALLATION



ART\_1001167078-E

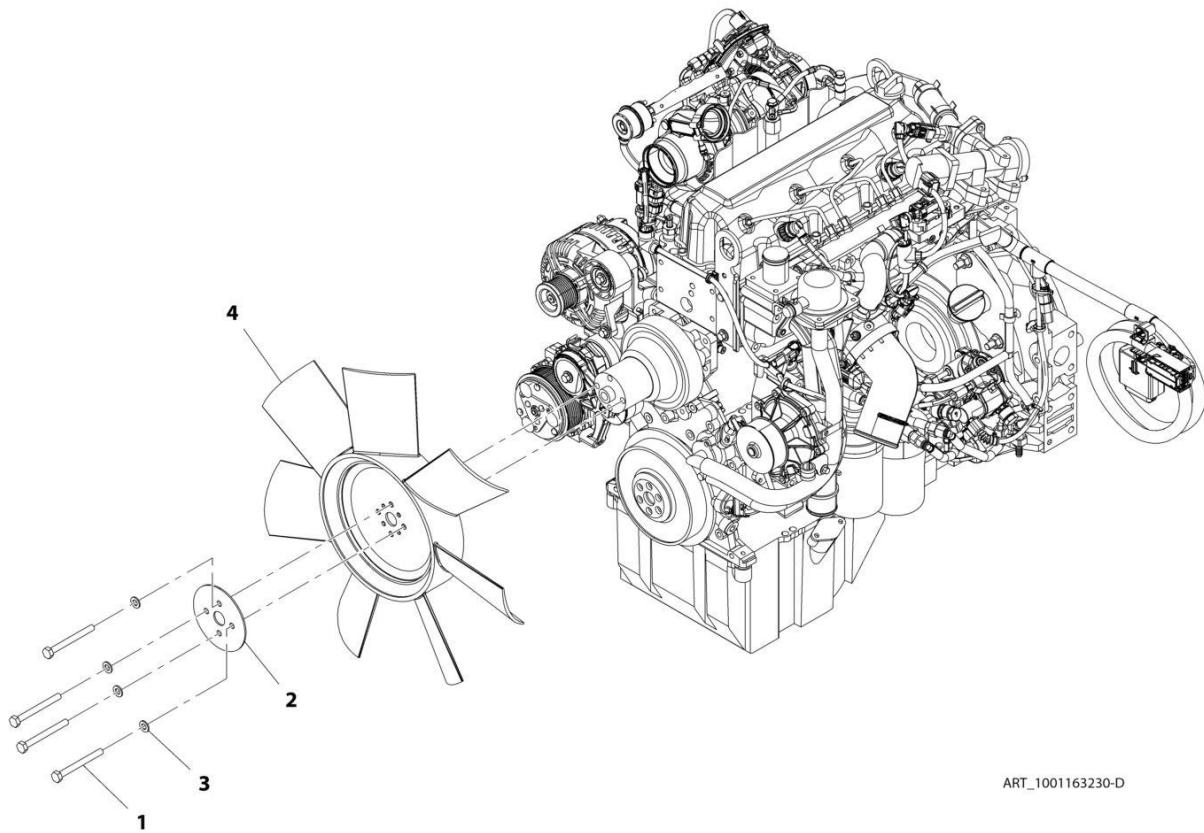
## SECTION 4 - ENGINE AND ATTACHING PARTS

### FIGURE 4-19. SURGE TANK INSTALLATION

ITEM	PART NUMBER	QTY	DESCRIPTION	REV
	1001167078	Ref	Surge Tank Installation	E
1	0700816	2	Bolt, M8X40	
2	0791605	4	Bolt, M3/8-16X5/8	
3	2180467	2	Fitting	
4	4811900	2	Washer, M8	
5	1001121955	1	Sensor, Coolant Level	
6	1001128144	1	Tank, Coolant	
7	1001128341	1	Cap	
8	1001163637	1	Bracket, Coolant Tank	

# SECTION 4 - ENGINE AND ATTACHING PARTS

## FIGURE 4-20. FAN INSTALLATION



ART\_1001163230-D

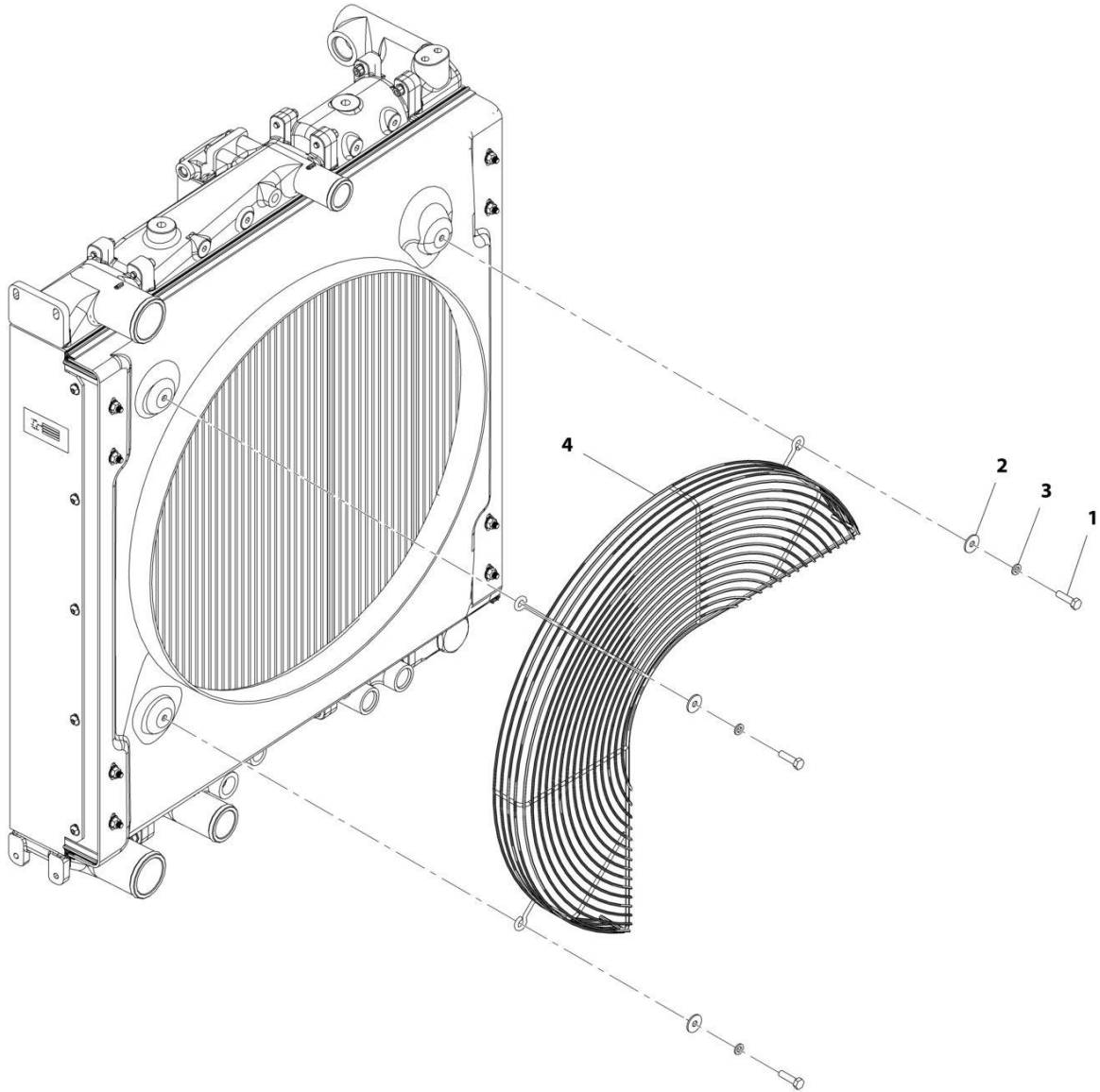
# SECTION 4 - ENGINE AND ATTACHING PARTS

## FIGURE 4-20. FAN INSTALLATION

ITEM	PART NUMBER	QTY	DESCRIPTION	REV
	1001163230	Ref	Fan Installation	D
1	0701027	4	Bolt, M10X100	
2	3575947	1	Plate	
3	4812000	4	Washer, M10	
4	1001175269	1	Fan, Cooling	

# SECTION 4 - ENGINE AND ATTACHING PARTS

## FIGURE 4-21. FAN GUARD INSTALLATION



ART\_1001160420-D

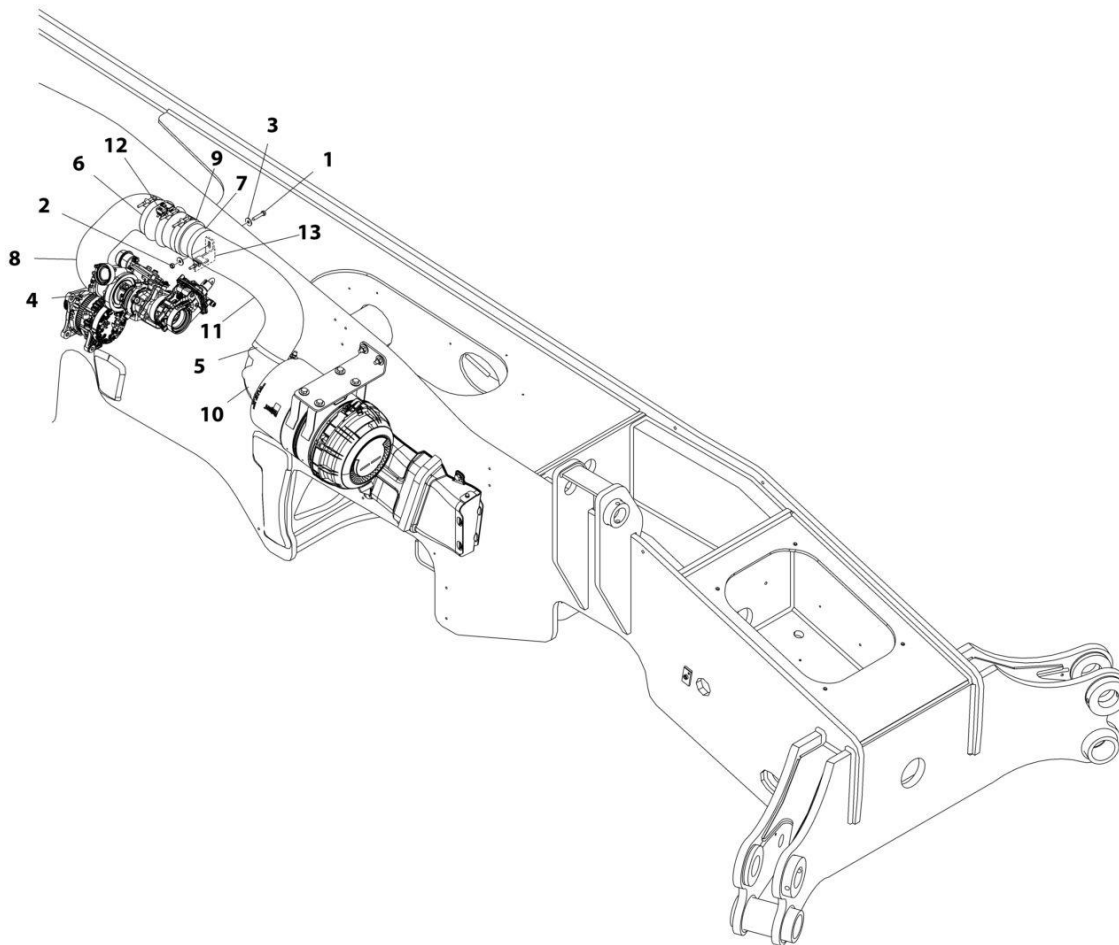
## SECTION 4 - ENGINE AND ATTACHING PARTS

### FIGURE 4-21. FAN GUARD INSTALLATION

ITEM	PART NUMBER	QTY	DESCRIPTION	REV
	1001160420	Ref	Fan Guard Installation	D
1	0700814	3	Bolt, M8X30	
2	4811902	3	Washer, M8	
3	4831900	3	Washer, Lock M8	
4	1001167186	1	Grill	

# SECTION 4 - ENGINE AND ATTACHING PARTS

## FIGURE 4-22. AIR INTAKE LINES INSTALLATION (ULS)



ART\_1001163228-E



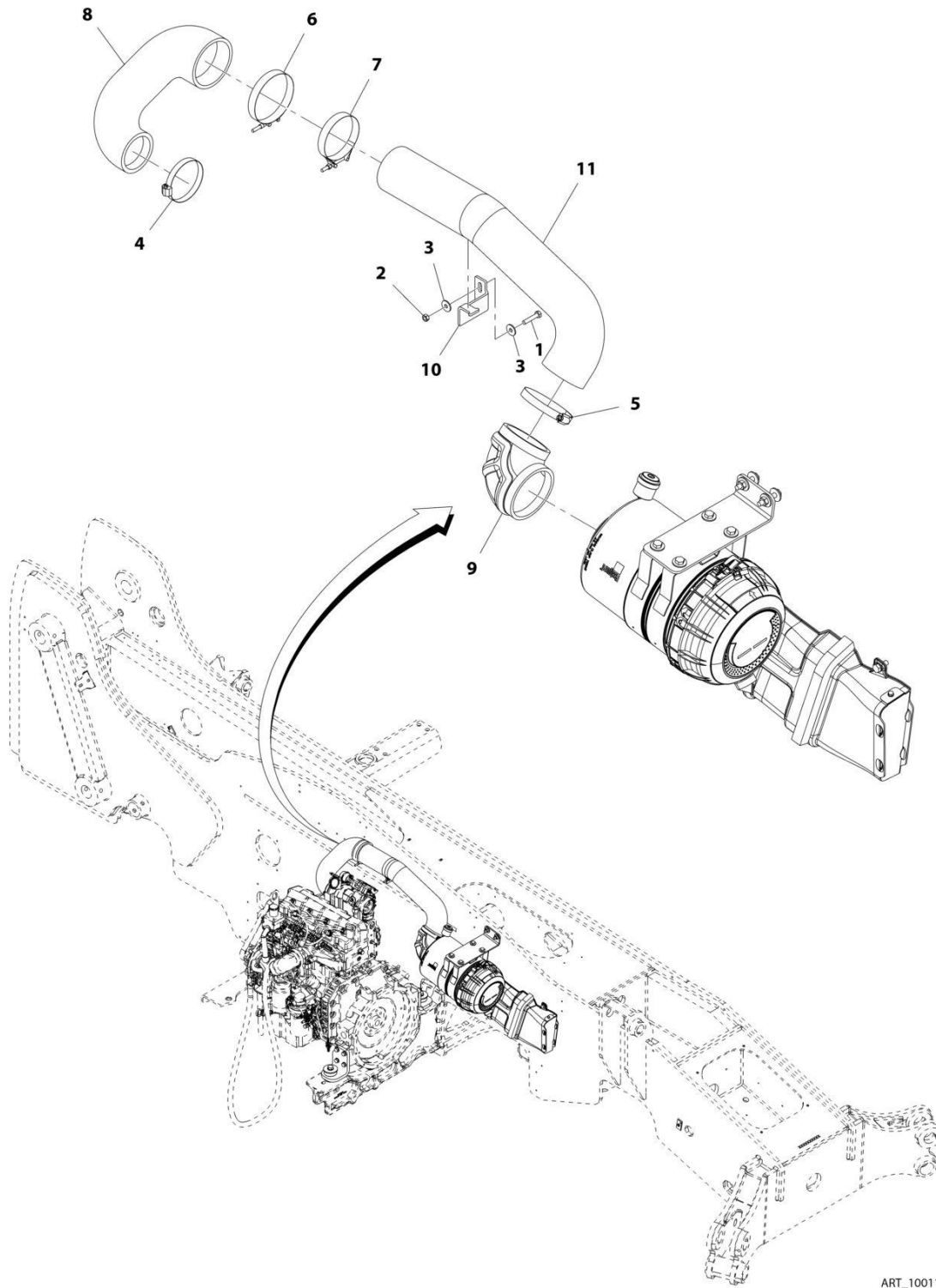
## SECTION 4 - ENGINE AND ATTACHING PARTS

**FIGURE 4-22. AIR INTAKE LINES INSTALLATION (ULS)**

ITEM	PART NUMBER	QTY	DESCRIPTION	REV
	1001163228	Ref	Air Intake Lines Installation (if equipped for ULS)	E
1	0700816	1	Bolt, M8X40	
2	3290801	1	Nut, M8X1.25	
3	4811902	2	Washer, M8	
4	8410011	1	Clamp, Gear	
5	8405402	1	Clamp	
6	80933367	3	Clamp	
7	91413025	1	Clamp	
8	1001166449	1	Hose	
9	1001166450	1	Hose	
10	1001166451	1	Elbow, Air Intake	
11	1001184052	1	Tube	
12	1001168771	1	Tube	
13	1001169155	1	Bracket	

# SECTION 4 - ENGINE AND ATTACHING PARTS

## FIGURE 4-23. AIR CLEANER LINES INSTALLATION (LS)



ART\_1001163238-C

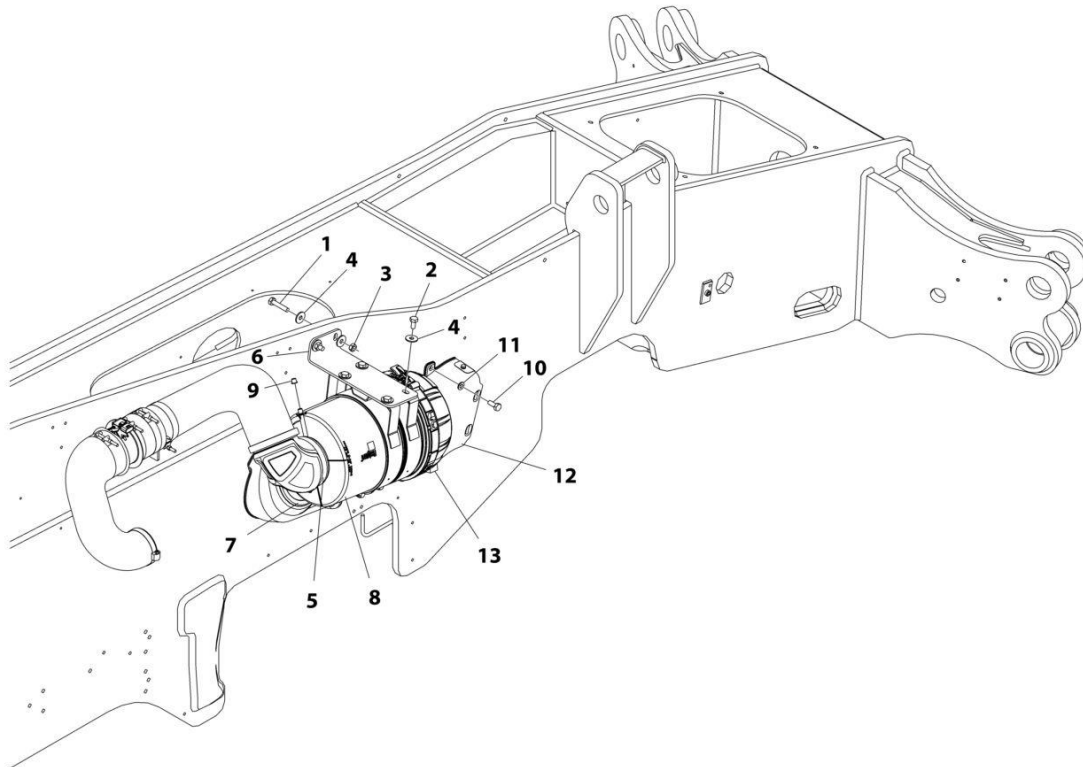
## SECTION 4 - ENGINE AND ATTACHING PARTS

### FIGURE 4-23. AIR CLEANER LINES INSTALLATION (LS)

ITEM	PART NUMBER	QTY	DESCRIPTION	REV
	1001163238	Ref	Air Intake Lines Installation (LS)	C
1	0700816	1	Bolt, M8X40	
2	3290801	1	Nut, M8X1.25 Grade 8	
3	4811902	2	Washer, M8	
4	8410011	1	Clamp	
5	10719267	1	Clamp	
6	80933367	1	Clamp	
7	91413025	1	Clamp	
8	1001166449	1	Hose	
9	1001166451	1	Elbow	
10	1001169155	1	Bracket	
11	1001185498	1	Tube	

# SECTION 4 - ENGINE AND ATTACHING PARTS

## FIGURE 4-24. AIR CLEANER INSTALLATION (ULS)



ART\_1001162988-I

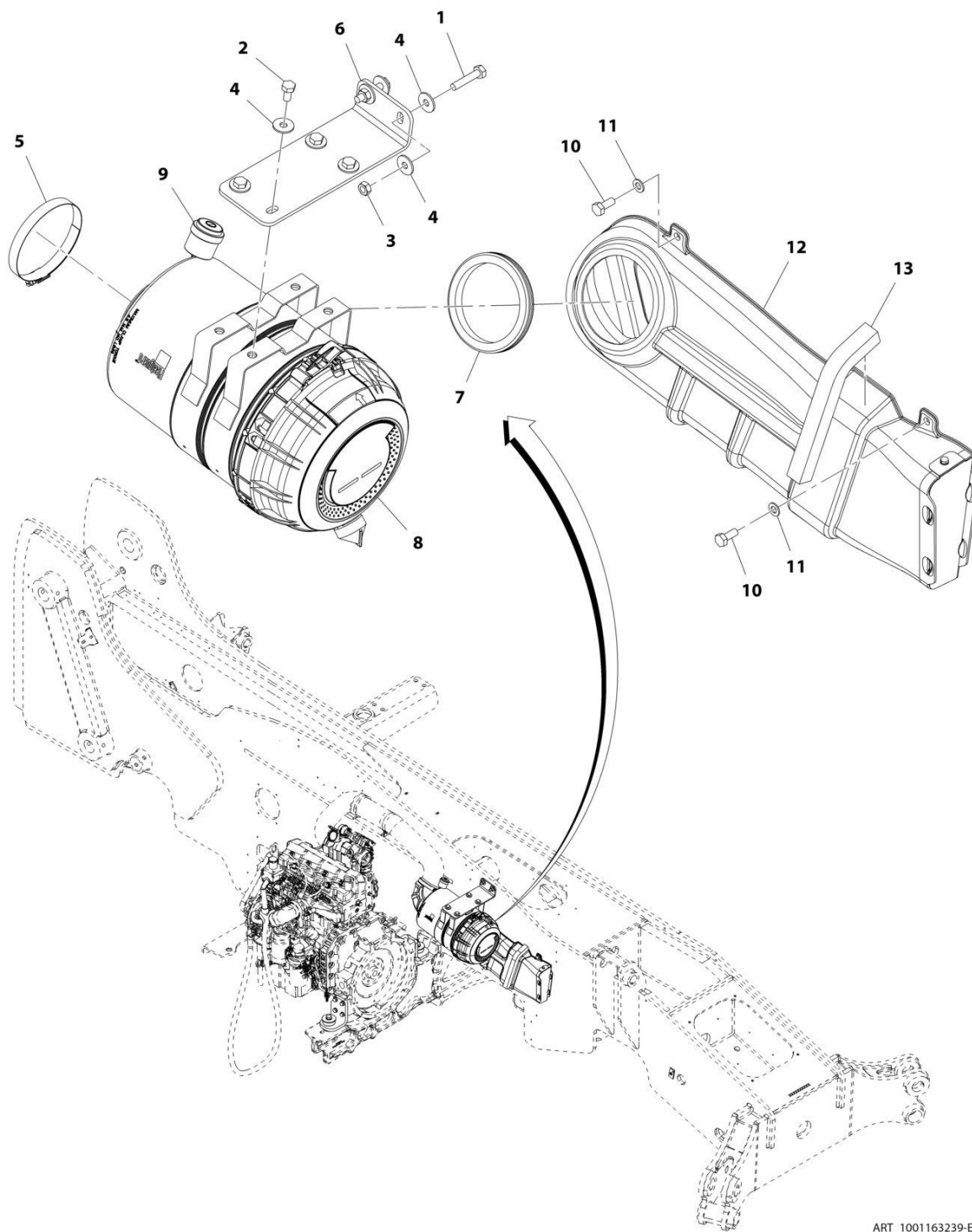
## SECTION 4 - ENGINE AND ATTACHING PARTS

**FIGURE 4-24. AIR CLEANER INSTALLATION (ULS)**

ITEM	PART NUMBER	QTY	DESCRIPTION	REV
	1001162988	Ref	Air Cleaner Installation (if equipped for ULS)	1
1	0701018	2	Bolt, M10X50	
2	0761010	4	Bolt, M10X20	
3	3291001	2	Nut, M10X1.5 Grade 8	
4	4812002	8	Washer, M10	
5	8405402	1	Clamp	
6	1001194534	1	Bracket, Air Cleaner Mount	
7	1001183831	1	Grommet, Intake	
8	1001166565	1	Filter, Air Cleaner (See Separate Breakdown in this Section)	
9	1001183177	1	Cap, Air Cleaner	
10	0761012	4	Bolt, M10X25	
11	4812000	4	Washer, M10	
12	1001183835	1	Installation, Duct Air Intake (See Separate Breakdown in this Section)	
13	1001186898	1	Gasket	

# SECTION 4 - ENGINE AND ATTACHING PARTS

## FIGURE 4-25. AIR CLEANER INSTALLATION (LS)



ART\_1001163239-E

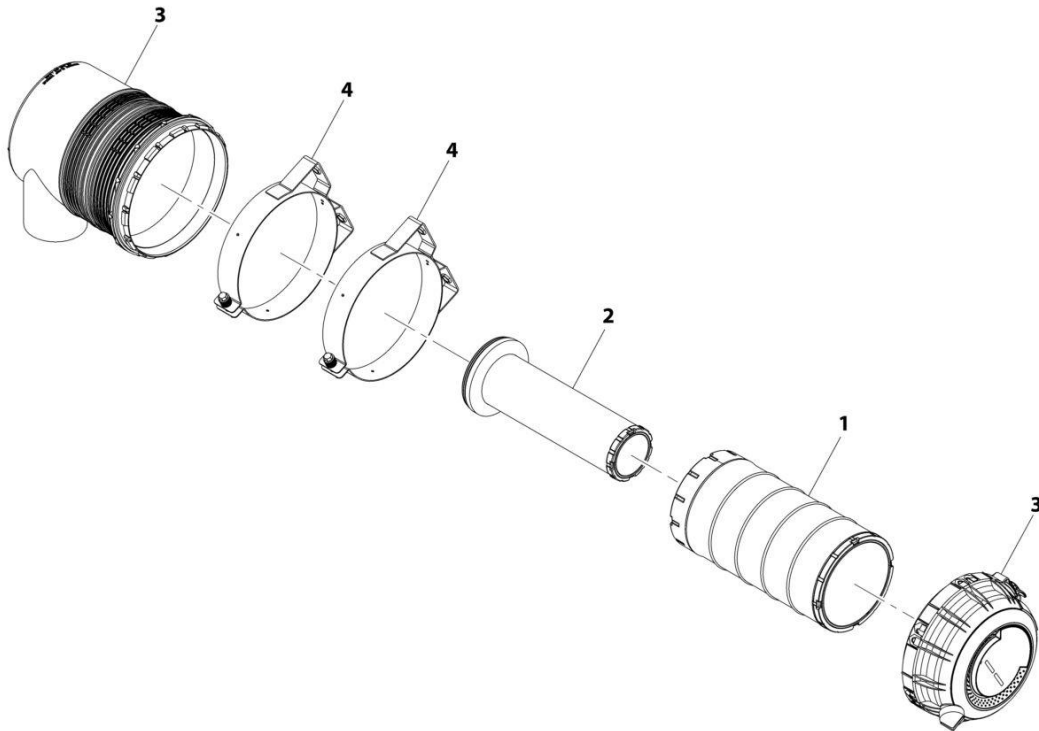
## SECTION 4 - ENGINE AND ATTACHING PARTS

**FIGURE 4-25. AIR CLEANER INSTALLATION (LS)**

ITEM	PART NUMBER	QTY	DESCRIPTION	REV
	1001163239	Ref	Air Cleaner Installation (LS)	E
1	0701018	2	Bolt, M10X50	
2	0761010	4	Bolt, M10X20	
3	3291001	2	Nut, M10X1.5 Grade 8	
4	4812002	8	Washer, M10	
5	8405402	1	Clamp	
6	1001194534	1	Bracket, Air Cleaner Mount	
7	1001183831	1	Grommet	
8	1001166565	1	Filter, Air Cleaner (See Separate Breakdown in this Section)	
9	1001166716	1	Indicator	
10	0761012	4	Bolt, M10X25	
11	4812000	4	Washer, M10	
12	1001183835	1	Installation, Duct Air Intake (See Separate Breakdown in this Section)	
13	1001186898	1	Seal	

# SECTION 4 - ENGINE AND ATTACHING PARTS

FIGURE 4-26. AIR CLEANER ASSEMBLY (90/100KW)



ART\_1001166565-E



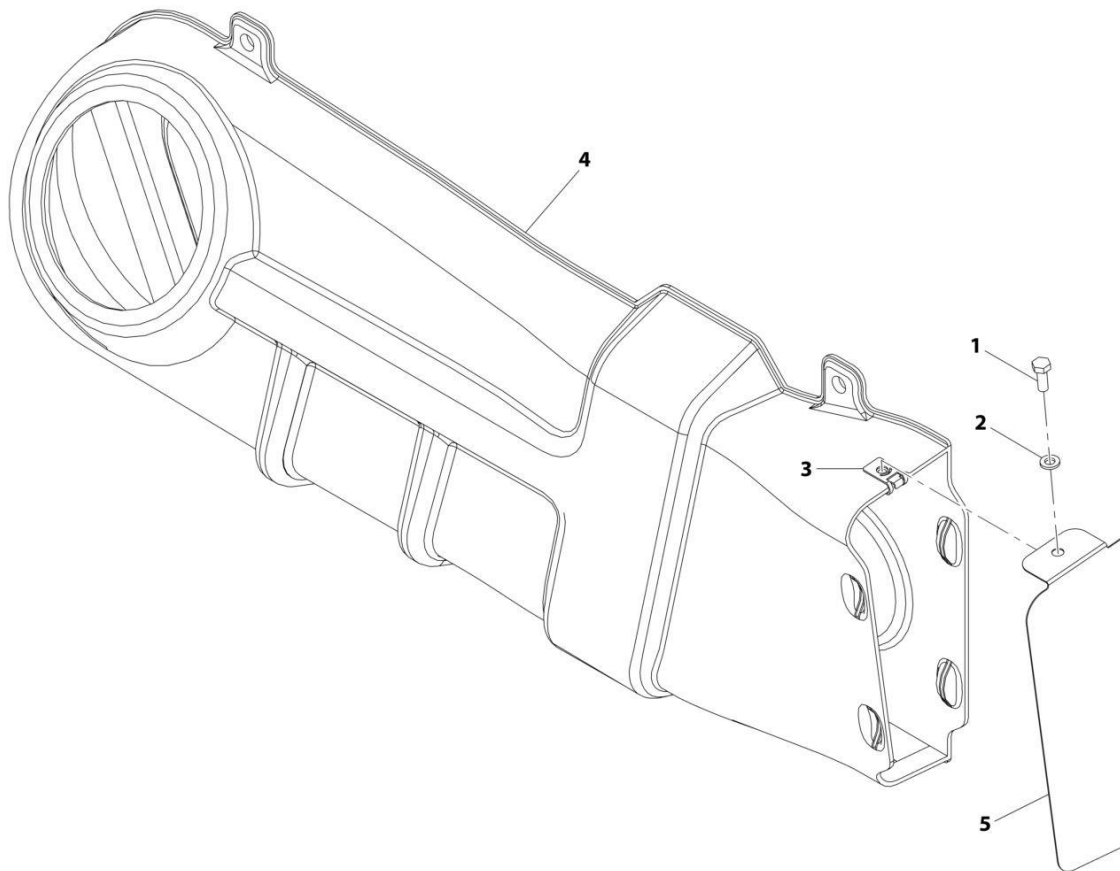
## SECTION 4 - ENGINE AND ATTACHING PARTS

FIGURE 4-26. AIR CLEANER ASSEMBLY (90/100KW)

ITEM	PART NUMBER	QTY	DESCRIPTION	REV
	1001166565	Ref	Air Cleaner Filter Assembly (90/100KW)	E
1	70025850	1	Filter, Cylindrical Air Primary	
2	70025851	1	Filter, Cylindrical Air Secondary	
3	70026395	1	Cover	
4	70026396	2	Bracket	

# SECTION 4 - ENGINE AND ATTACHING PARTS

## FIGURE 4-27. AIR INTAKE DUCT INSTALLATION



ART\_1001183835-C

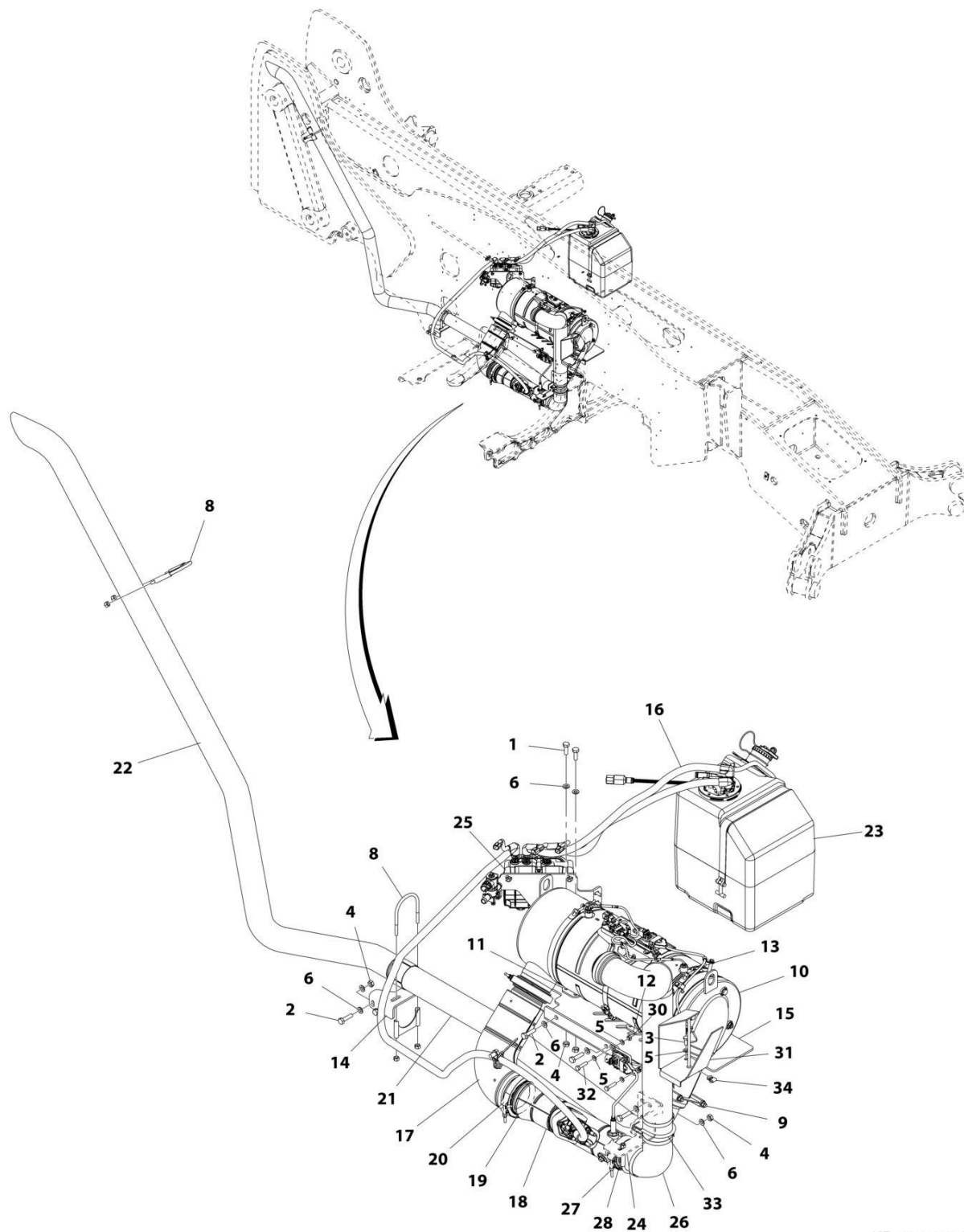
## SECTION 4 - ENGINE AND ATTACHING PARTS

FIGURE 4-27. AIR INTAKE DUCT INSTALLATION

ITEM	PART NUMBER	QTY	DESCRIPTION	REV
	1001183835	Ref	Air Intake Duct Installation	C
1	0760608	1	Bolt, M6X16	
2	4811702	1	Washer, M6	
3	8305919	1	Nut	
4	1001183827	1	Duct	
5	1001183829	1	Plate	

# SECTION 4 - ENGINE AND ATTACHING PARTS

## FIGURE 4-28. EXHAUST INSTALLATION (ULS)



ART\_1001160409-J

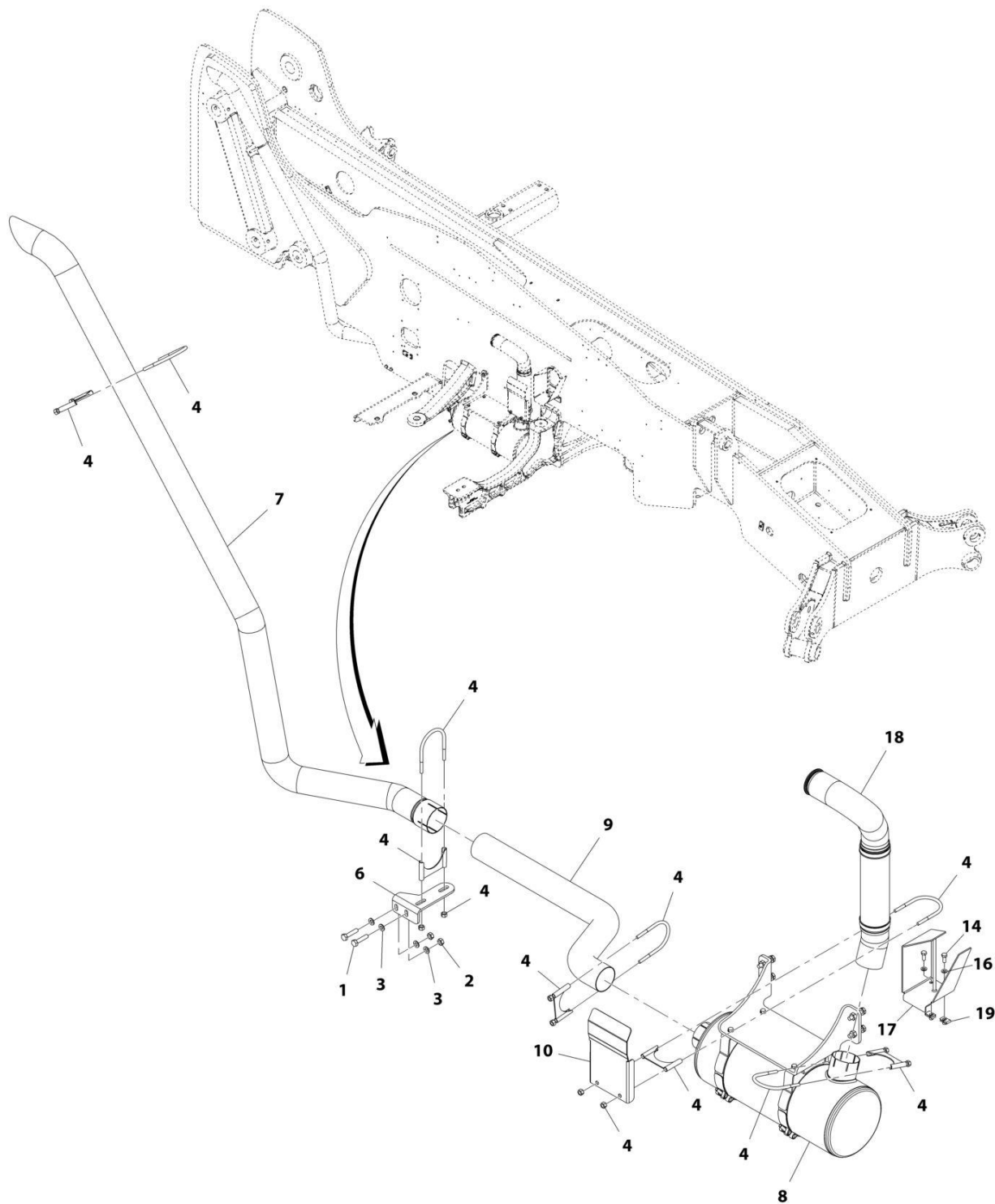
## SECTION 4 - ENGINE AND ATTACHING PARTS

**FIGURE 4-28. EXHAUST INSTALLATION (ULS)**

ITEM	PART NUMBER	QTY	DESCRIPTION	REV
	1001160409	Ref	Exhaust Installation (if equipped for ULS)	J
1	0701014	10	Bolt, M10X30	
2	0701016	6	Bolt, M10X40	
3	0760810	2	Bolt, M8X20	
4	3291001	12	Nut, M10X1.5 Grade 8	
5	4811900	6	Washer, M8	
6	4812000	28	Washer, M10	
8	24921332	3	Clamp	
9	86883127	1	Clamp	
10	1001155261	1	Muffler	
11	1001159881	1	Bracket	
12	1001159882	1	Bracket	
13	1001176945	2	Strap	
14	1001162281	1	Support, Exhaust Pipe	
15	1001162597	1	Bracket	
16	1001199825	1	Installation, Def Pump Lines (See Separate Breakdown in this Section)	
17	1001163546	1	Pipe	
18	1001164404	1	Muffler	
19	1001164837	2	Seal	
20	1001164838	2	Clamp	
21	1001168560	1	Pipe	
22	1001168635	1	Pipe	
23	1001168638	Ref	Installation, Def Tank (See Separate Breakdown in this Section)	
24	1001183836	1	Bracket	
25	1001170308	Ref	Installation, Def Pump and Control (See Separate Breakdown in this Section)	
26	1001183759	1	Pipe	
27	1001167167	1	Clamp	
28	1001167168	1	Seal	
30	3290801	2	Nut, M8X1.25 Grade 8	
31	1001176650	1	Shield	
32	0760815	2	Bolt, M8X35	
33	8275212	1	Clamp	
34	8310686	2	Nut, M8X12.5	

# SECTION 4 - ENGINE AND ATTACHING PARTS

## FIGURE 4-29. EXHAUST INSTALLATION (LS)



ART\_1001160417-G

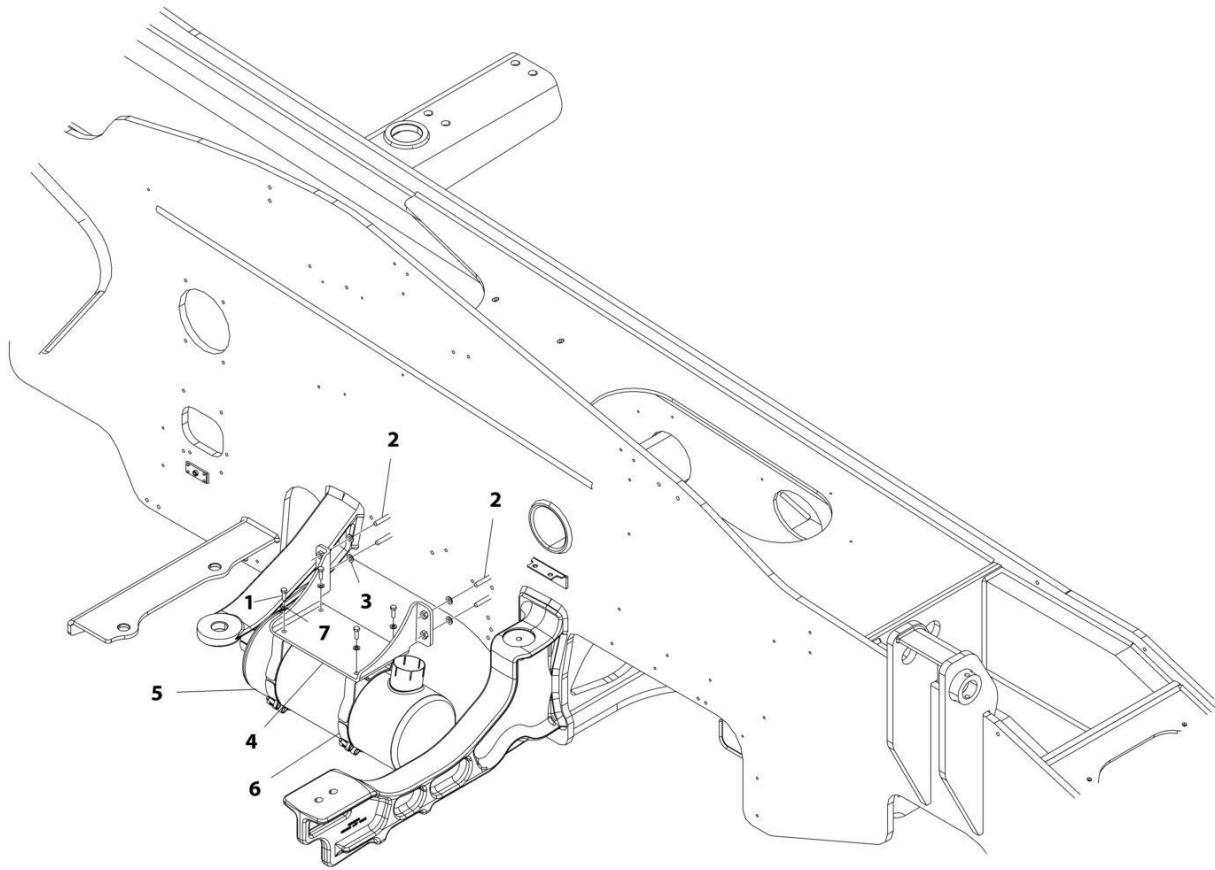
## SECTION 4 - ENGINE AND ATTACHING PARTS

**FIGURE 4-29. EXHAUST INSTALLATION (LS)**

ITEM	PART NUMBER	QTY	DESCRIPTION	REV
	1001160417	Ref	Exhaust Installation (if equipped for LS)	G
1	0701017	2	Bolt, M10X45	
2	3291001	2	Nut, M10X1.5 Grade 8	
3	4812000	4	Washer, M10	
4	24921332	5	Clamp	
6	1001162281	1	Support, Exhaust Pipe	
7	1001168635	1	Pipe	
8	1001179968	1	Installation, Muffler (See Separate Breakdown in this Section)	
9	1001179972	1	Pipe	
10	1001181815	1	Plate, Heat Shield	
14	0760810	2	Bolt, M8X20	
16	4811900	2	Washer, M8	
17	1001176650	1	Shield	
18	1001191348	1	Pipe	
19	8310686	2	Nut, M8X12.5	

# SECTION 4 - ENGINE AND ATTACHING PARTS

## FIGURE 4-30. MUFFLER INSTALLATION (LS)



ART\_1001179968-D



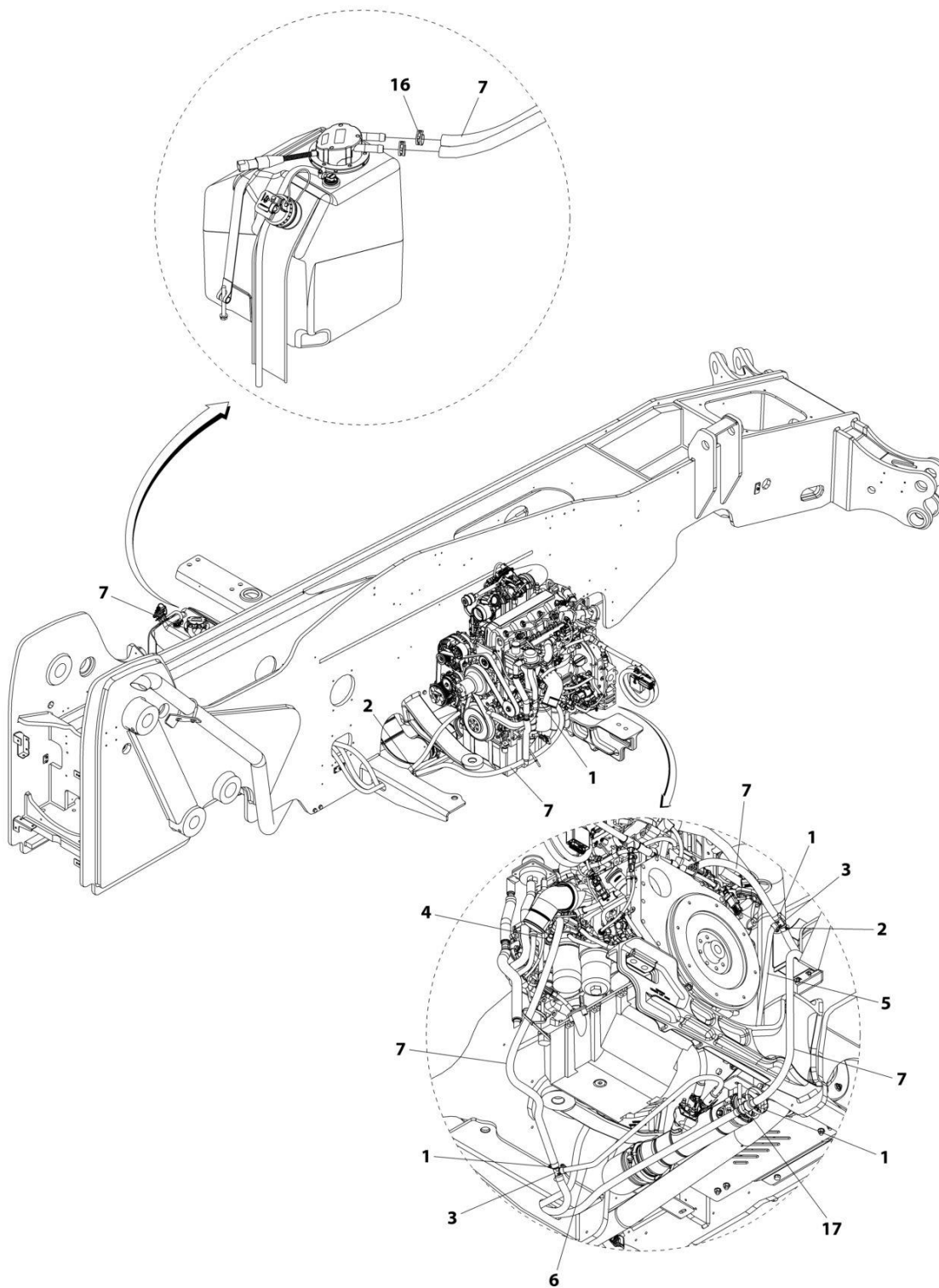
## SECTION 4 - ENGINE AND ATTACHING PARTS

### FIGURE 4-30. MUFFLER INSTALLATION (LS)

ITEM	PART NUMBER	QTY	DESCRIPTION	REV
	1001179968	Ref	Muffler Installation (LS)	D
1	0760812	4	Bolt, M8X25	
2	0701017	4	Bolt, M10X45	
3	4812000	4	Washer, M10	
4	1001179973	1	Bracket	
5	1001180226	1	Muffler	
6	1001180227	2	Clamp, Muffler	
7	4811900	4	Washer, M8	

# SECTION 4 - ENGINE AND ATTACHING PARTS

## FIGURE 4-31. DEF LINES INSTALLATION



ART\_1001163232-I

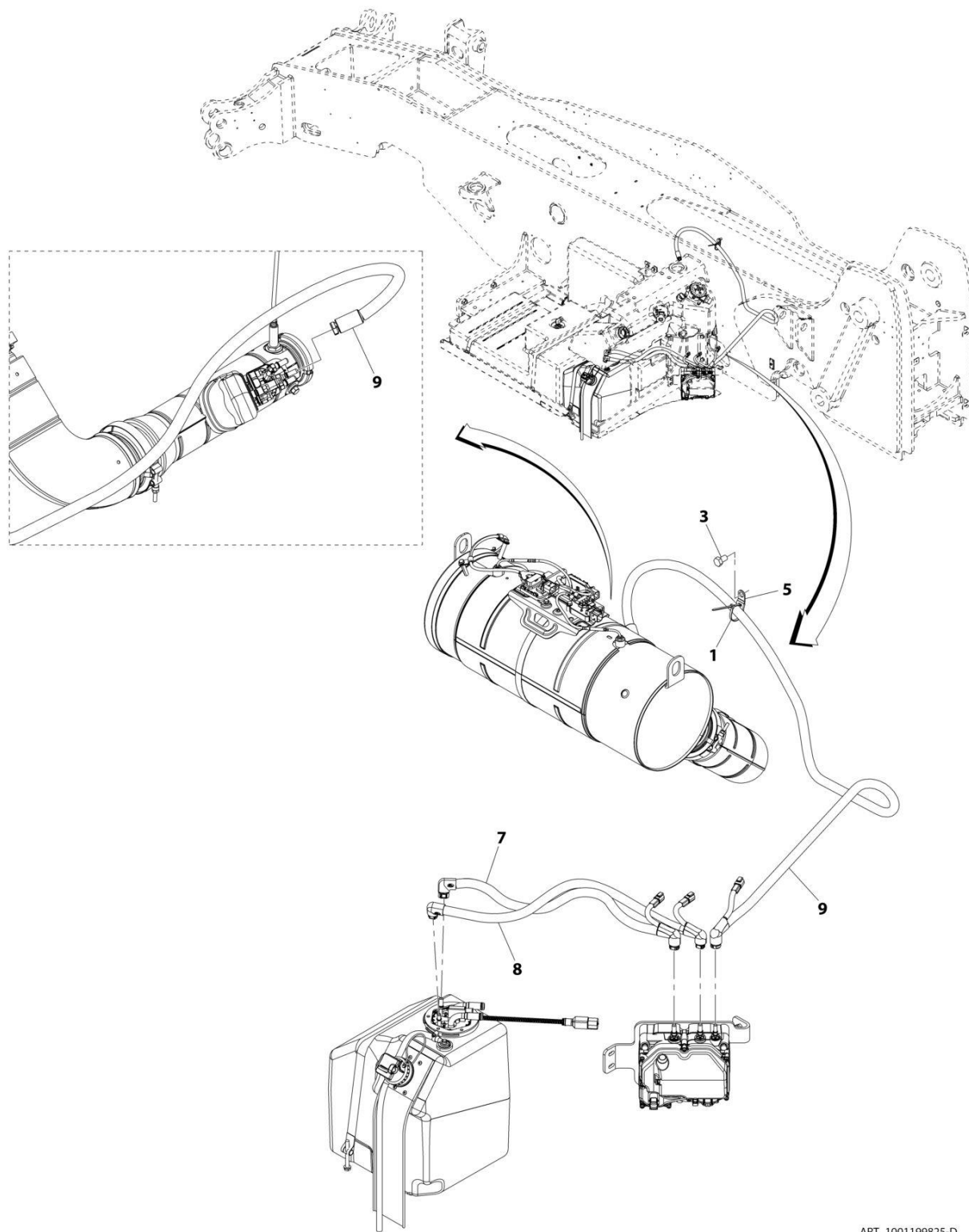
## SECTION 4 - ENGINE AND ATTACHING PARTS

FIGURE 4-31. DEF LINES INSTALLATION

ITEM	PART NUMBER	QTY	DESCRIPTION	REV
	1001163232	Ref	DEF Lines Installation	I
1	8410009	10	Gear Clamp	
2	8410013	2	Gear Clamp	
3	1001162212	2	Pipe	
4	1001168822	1	Pipe	
5	1001169409	1	Hose	
6	1001169410	1	Hose	
7	82033995	6.9 m	Hose	
16	1001202526	2	Clamp	
17	1001228872	1	Filter	

# SECTION 4 - ENGINE AND ATTACHING PARTS

## FIGURE 4-32. DEF PUMP LINES INSTALLATION



ART\_1001199825-D

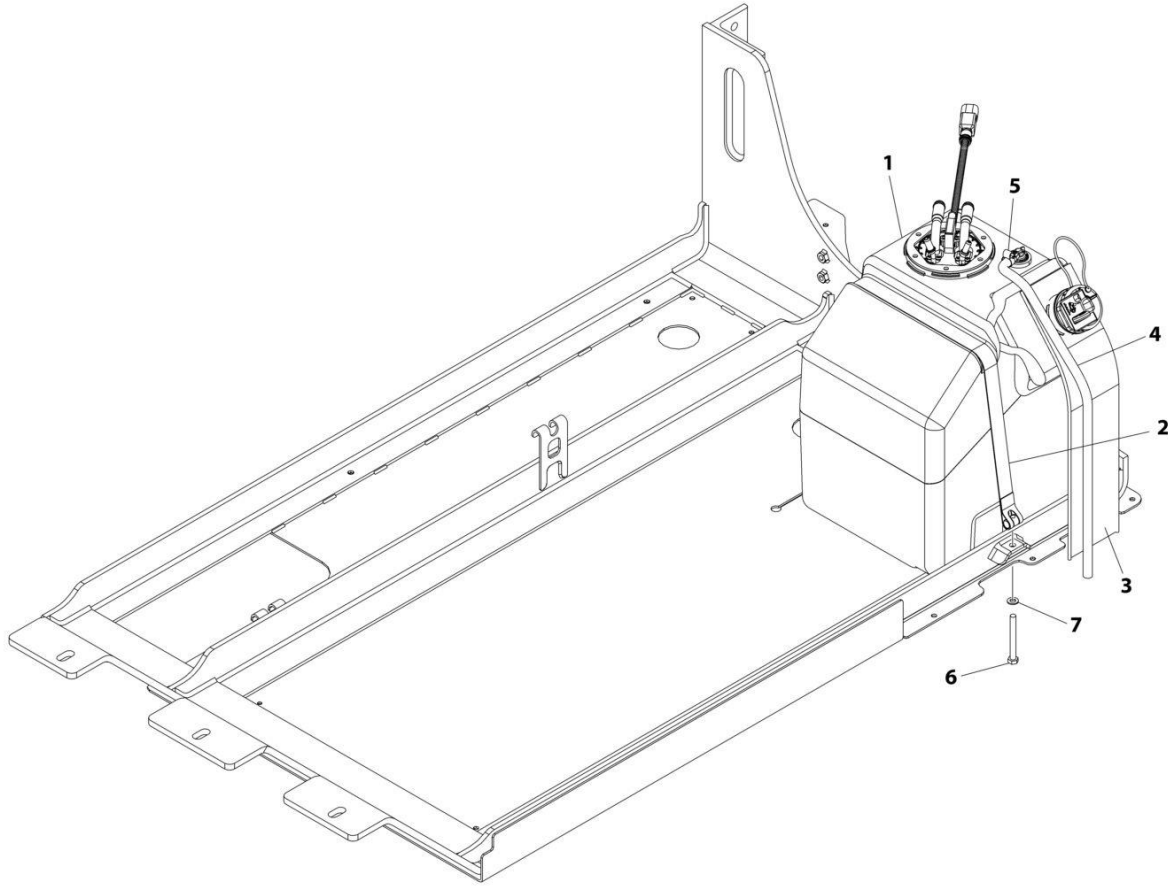
## SECTION 4 - ENGINE AND ATTACHING PARTS

FIGURE 4-32. DEF PUMP LINES INSTALLATION

ITEM	PART NUMBER	QTY	DESCRIPTION	REV
	1001199825	Ref	DEF Pump Lines Installation	D
1	8881802	1	Wire Tie	
3	0761210	1	Bolt, M12X20	
5	1001025750	1	Clip	
7	1001231000	1	Hose	
8	1001231001	1	Hose	
9	1001199824	1	Hose	

# SECTION 4 - ENGINE AND ATTACHING PARTS

## FIGURE 4-33. DEF TANK INSTALLATION



ART\_1001168638-J

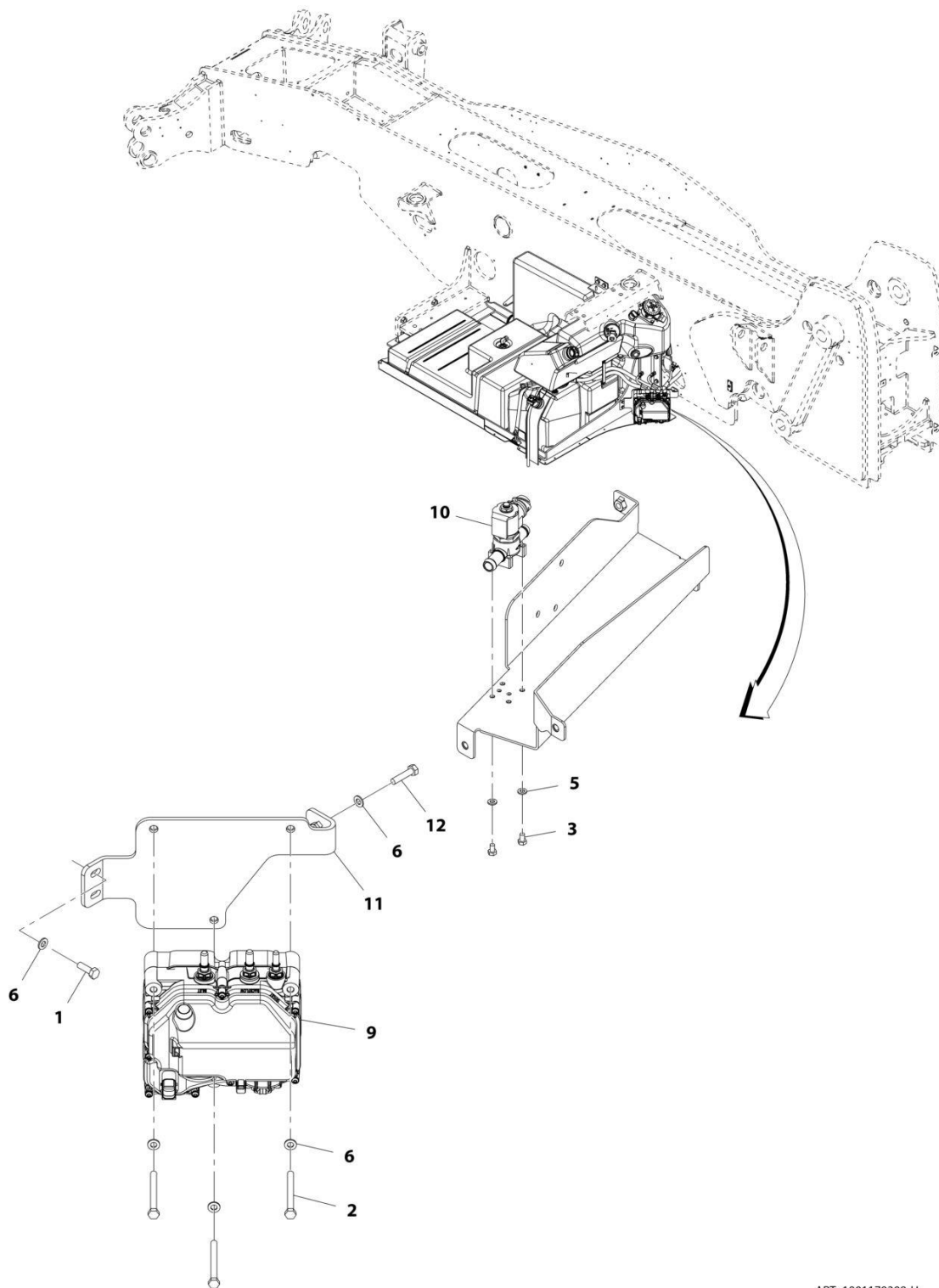
## SECTION 4 - ENGINE AND ATTACHING PARTS

### FIGURE 4-33. DEF TANK INSTALLATION

ITEM	PART NUMBER	QTY	DESCRIPTION	REV
	1001168638	Ref	DEF Tank Installation	J
1	1001230421	1	Tank, DEF (See Separate Breakdown in this Section)	
2	1001178791	1	Strap, Tank	
3	1001168272	1	Sleeve	
4	1001175201	0.6 m	Hose	
5	8405009	1	Clamp, Gear	
6	0760823	1	Bolt, M8X75	
7	4811900	1	Washer, M8	

# SECTION 4 - ENGINE AND ATTACHING PARTS

## FIGURE 4-34. DEF PUMP AND CONTROL INSTALLATION



ART\_1001170308-H



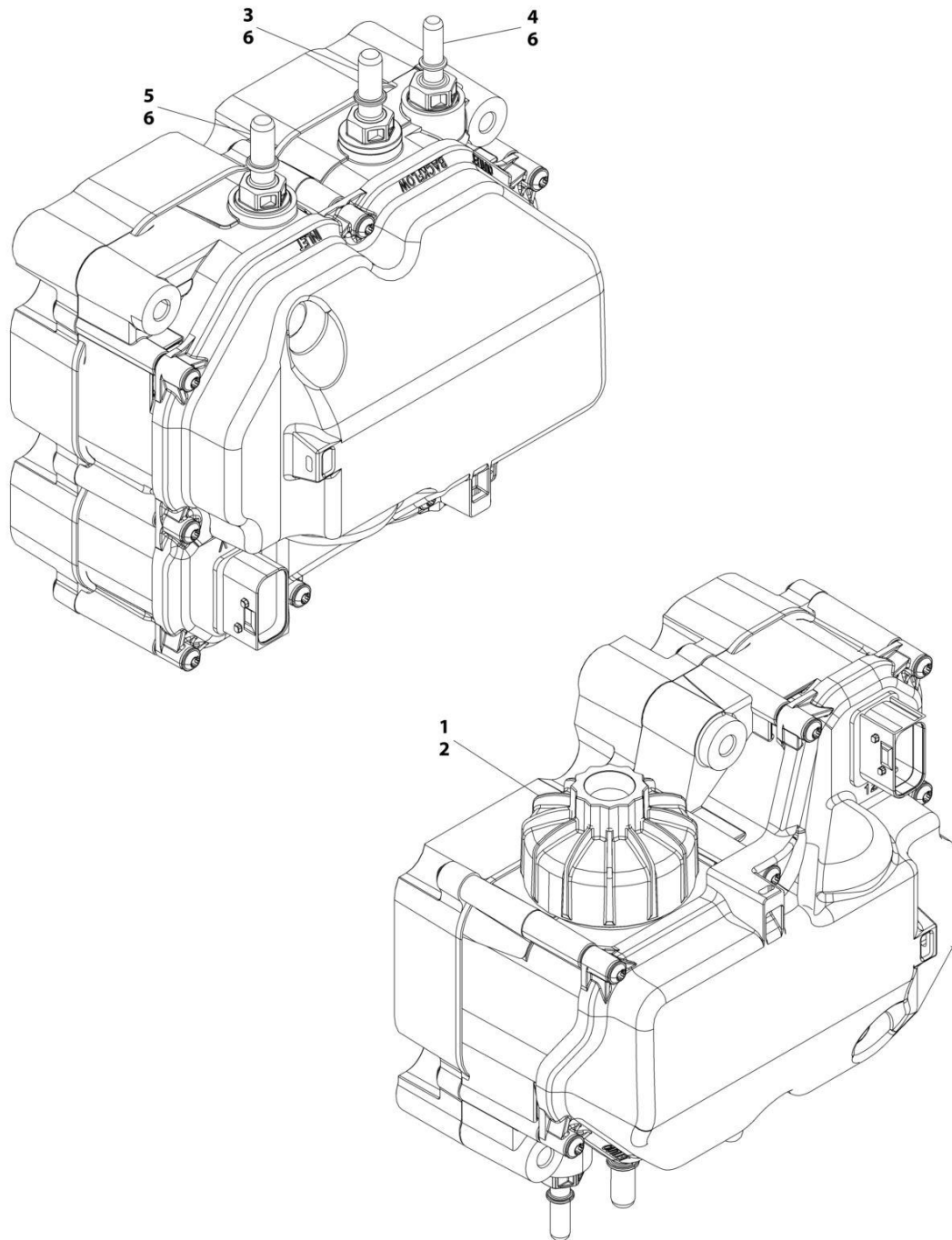
## SECTION 4 - ENGINE AND ATTACHING PARTS

FIGURE 4-34. DEF PUMP AND CONTROL INSTALLATION

ITEM	PART NUMBER	QTY	DESCRIPTION	REV
	1001170308	Ref	DEF Pump and Control Installation	H
1	0760812	2	Bolt, M8X25	
2	0700826	3	Bolt, M8X90	
3	0760605	4	Bolt, M6X10	
5	4811700	4	Washer, M6	
6	4811900	6	Washer, M8	
9	1001213210	1	Pump (See Separate Breakdown in this Section)	
10	1001199670	1	Valve	
11	1001199645	1	Bracket	
12	0760815	1	Bolt, M8X35	

# SECTION 4 - ENGINE AND ATTACHING PARTS

## FIGURE 4-35. UREA PUMP



ART\_1001213210-A

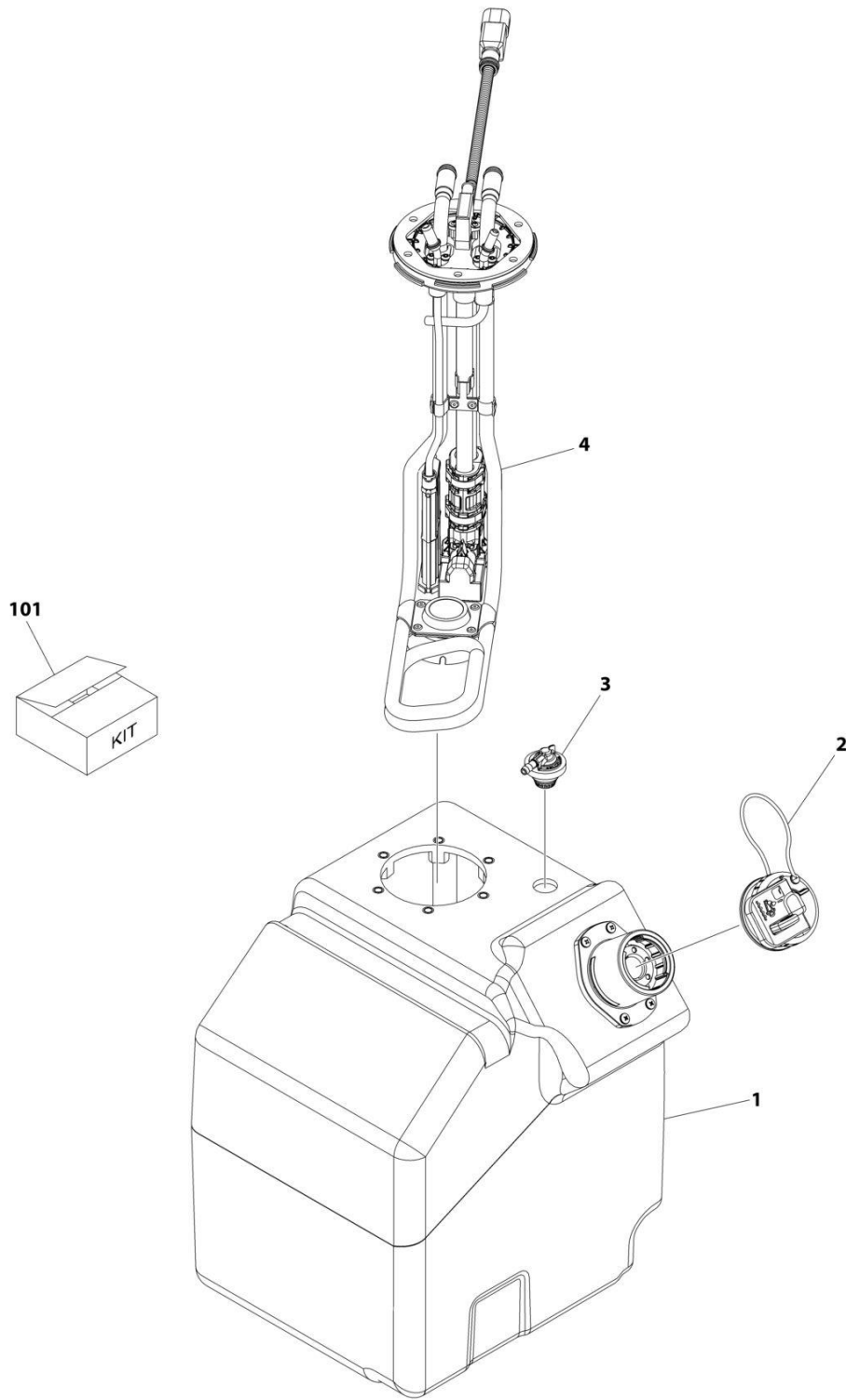
## SECTION 4 - ENGINE AND ATTACHING PARTS

### FIGURE 4-35. UREA PUMP

ITEM	PART NUMBER	QTY	DESCRIPTION	REV
	1001213210	Ref	DEF Module Pump	A
1	70026248	1	Kit, Filter	
2	70026247	1	Cap, Filter	
3	70027705	1	Connector, Male (Backflow)	
4	70026245	1	Connector, Male (Outlet)	
5	70026244	1	Connector, Male (Inlet)	
6	70027706	3	Gasket, Circular (O-Ring)	

# SECTION 4 - ENGINE AND ATTACHING PARTS

## FIGURE 4-36. DEF TANK ASSEMBLY



ART\_1001230421\_C

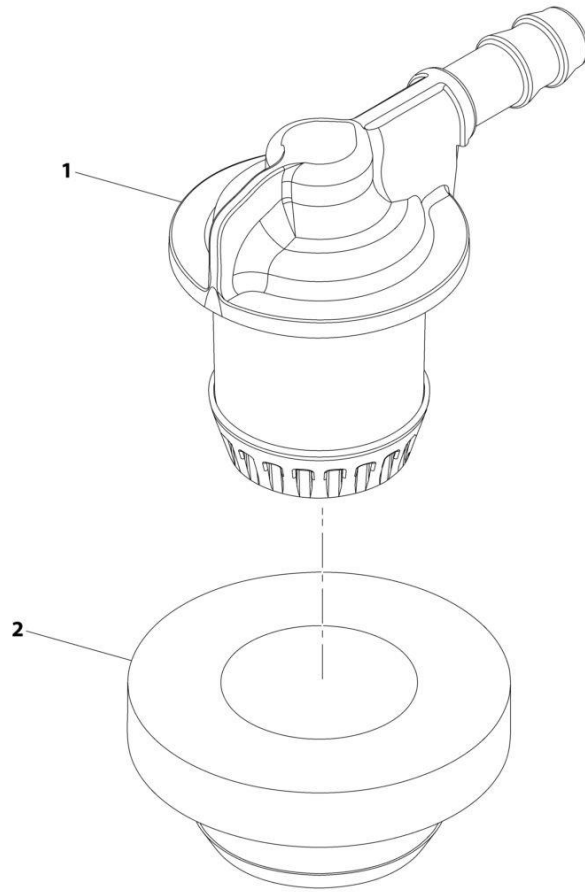
## SECTION 4 - ENGINE AND ATTACHING PARTS

FIGURE 4-36. DEF TANK ASSEMBLY

ITEM	PART NUMBER	QTY	DESCRIPTION	REV
	1001230421	Ref	DEF Tank Assembly	C
1	1001164967	1	Tank	
2	1001174795	1	Cap	
3	1001215319	1	Valve (See Separate Breakdown in this Section)	
4	1001230419	1	Assembly, DEF Electrical (includes item 101)	
101	70029473	1	Siphon Filter Kit	
101	70029474	1	Gasket, Rubber	
101	70029475	1	Flange	
101	70029476	1	Header Assembly w/o Flange and Gasket	

# SECTION 4 - ENGINE AND ATTACHING PARTS

FIGURE 4-37. DEF BREATHER VALVE



ART\_1001215319-B

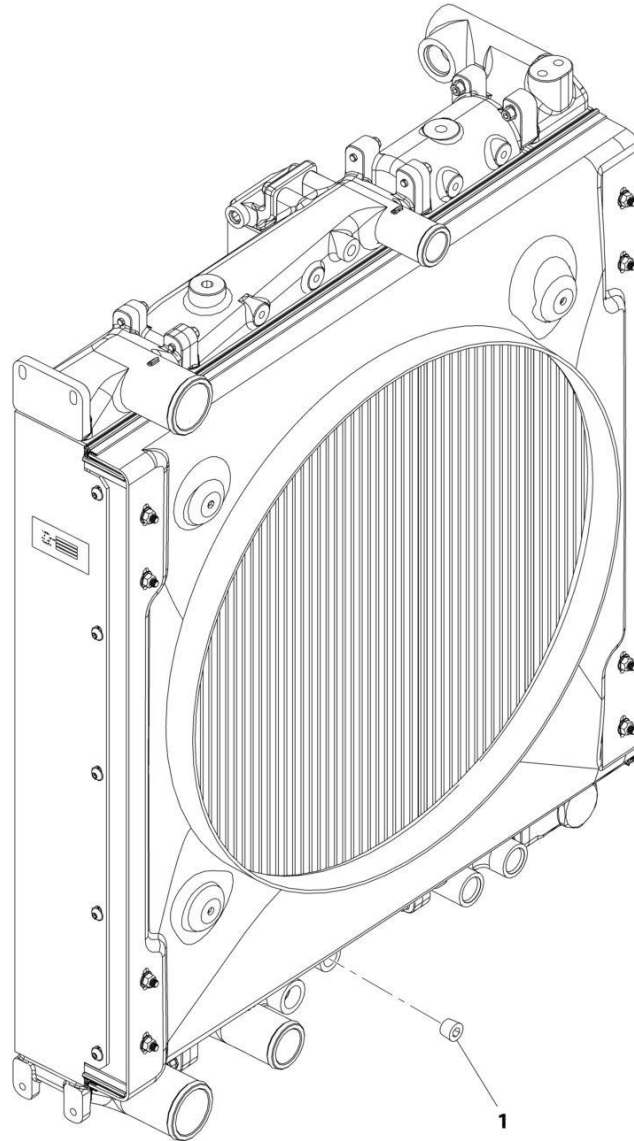
## SECTION 4 - ENGINE AND ATTACHING PARTS

FIGURE 4-37. DEF BREATHER VALVE

ITEM	PART NUMBER	QTY	DESCRIPTION	REV
	1001215319	Ref	DEF Breather Valve	B
1	1001239510	1	Valve, DEF Breather	
2	1001239511	1	Grommet, DEF Breather	

# SECTION 4 - ENGINE AND ATTACHING PARTS

FIGURE 4-38. ENGINE PARTS INSTALLATION (NO HEATER)



ART\_1001163133-D



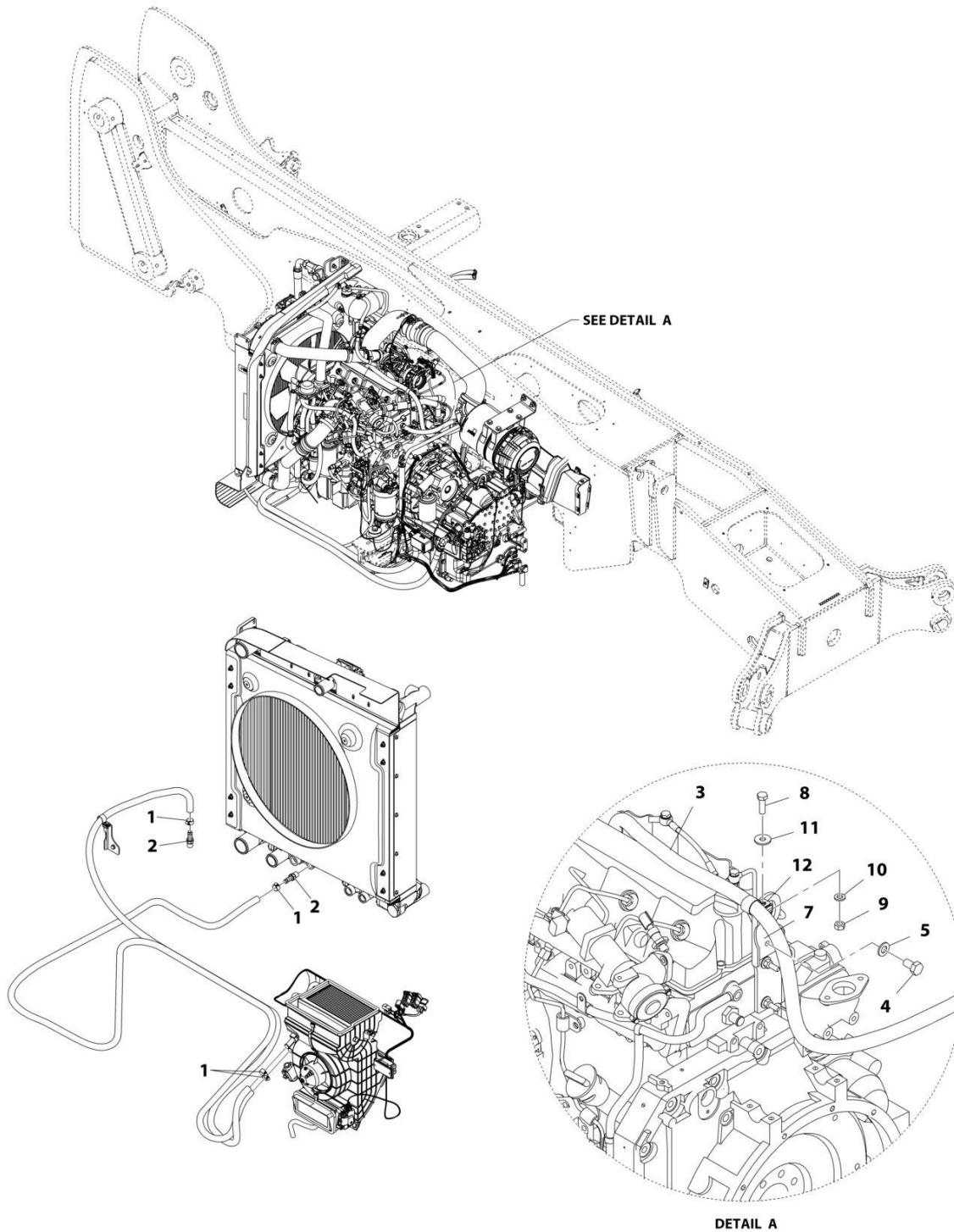
## SECTION 4 - ENGINE AND ATTACHING PARTS

FIGURE 4-38. ENGINE PARTS INSTALLATION (NO HEATER)

ITEM	PART NUMBER	QTY	DESCRIPTION	REV
1	1001163133 2200223	Ref 1	Engine Parts Installation (No Heater) Plug	D

# SECTION 4 - ENGINE AND ATTACHING PARTS

## FIGURE 4-39. ENGINE PARTS INSTALLATION (HEATER)



ART\_1001163134-J

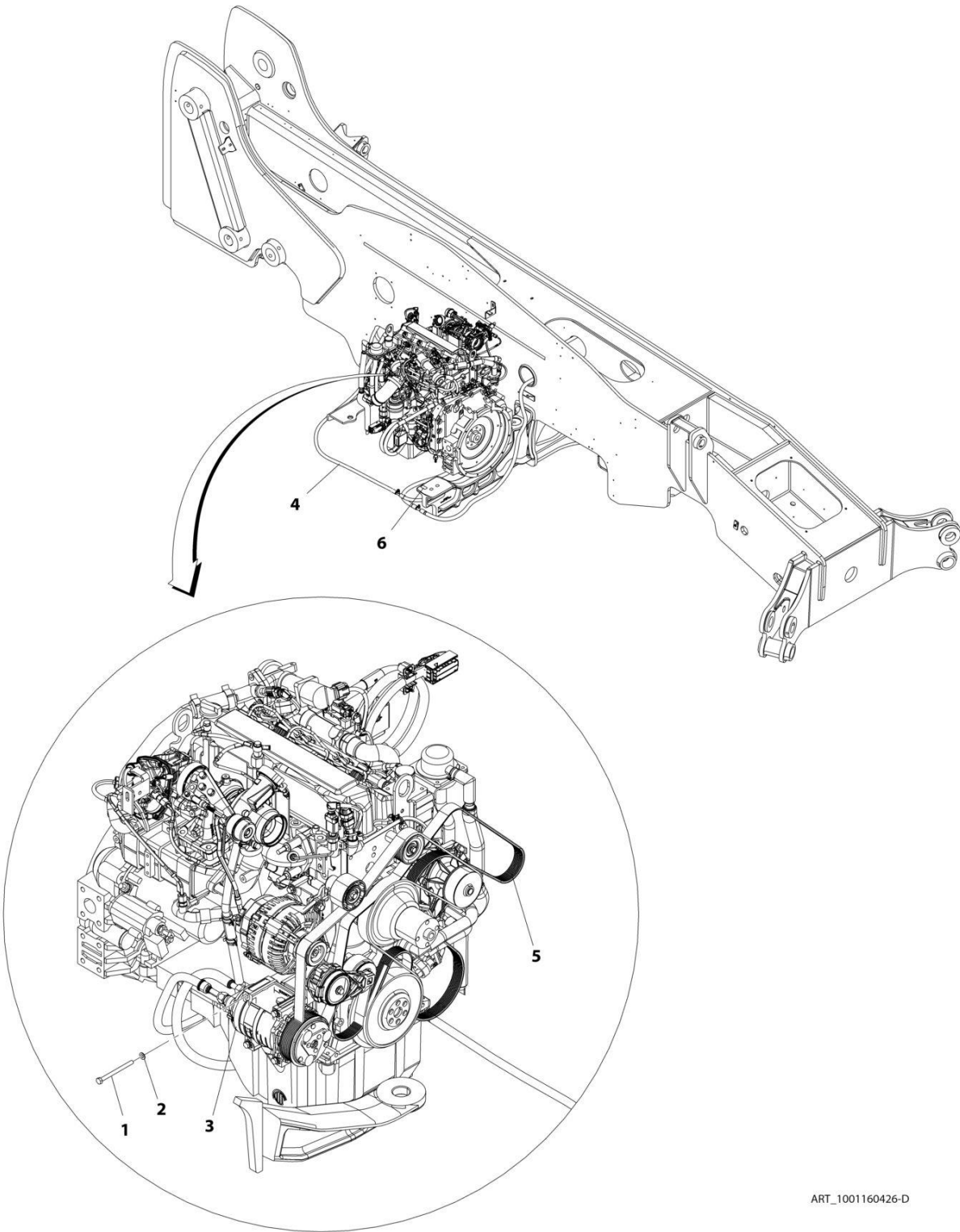
## SECTION 4 - ENGINE AND ATTACHING PARTS

FIGURE 4-39. ENGINE PARTS INSTALLATION (HEATER)

ITEM	PART NUMBER	QTY	DESCRIPTION	REV
	1001163134	Ref	Engine Parts Installation (Heater)	J
1	8410009	4	Clamp, Gear	
2	1001104685	2	Pipe	
3	82033995	7 m	Hose	
4	0760807	1	Bolt, M8X14	
5	4811900	1	Washer, M8	
7	1001200555	1	Bracket	
8	0700610	1	Bolt, M6X20	
9	3290601	1	Nut, M6X1	
10	4811700	1	Washer, M6	
11	4811702	1	Washer, M6	
12	8406201	1	Clip	

# SECTION 4 - ENGINE AND ATTACHING PARTS

## FIGURE 4-40. A/C PUMP INSTALLATION (ULS)



ART\_1001160426-D

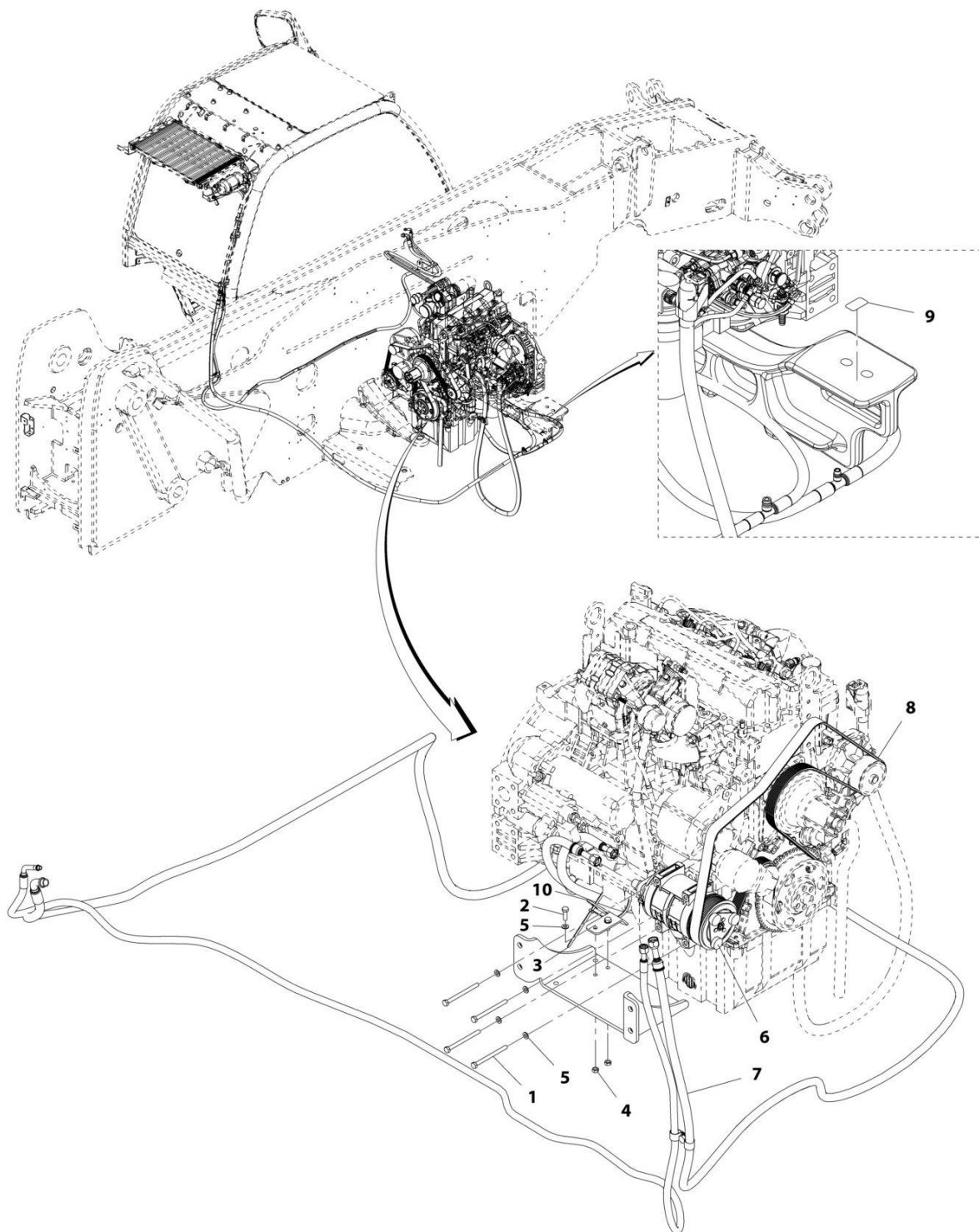
## SECTION 4 - ENGINE AND ATTACHING PARTS

FIGURE 4-40. A/C PUMP INSTALLATION (ULS)

ITEM	PART NUMBER	QTY	DESCRIPTION	REV
	1001160426	Ref	A/C Pump Installation (ULS)	D
1	0700827	4	Bolt, M8X100	
2	4811900	4	Washer, M8	
3	1001157663	1	Compressor, A/C	
4	1001163254	1	Installation, A/C Lines (See Separate Breakdown in this Section)	
5	1001167357	1	Belt	
6	1001193026	1	Decal, A/C Refrigerant	

# SECTION 4 - ENGINE AND ATTACHING PARTS

## FIGURE 4-41. A/C PUMP INSTALLATION (LS)



ART\_1001206448-A

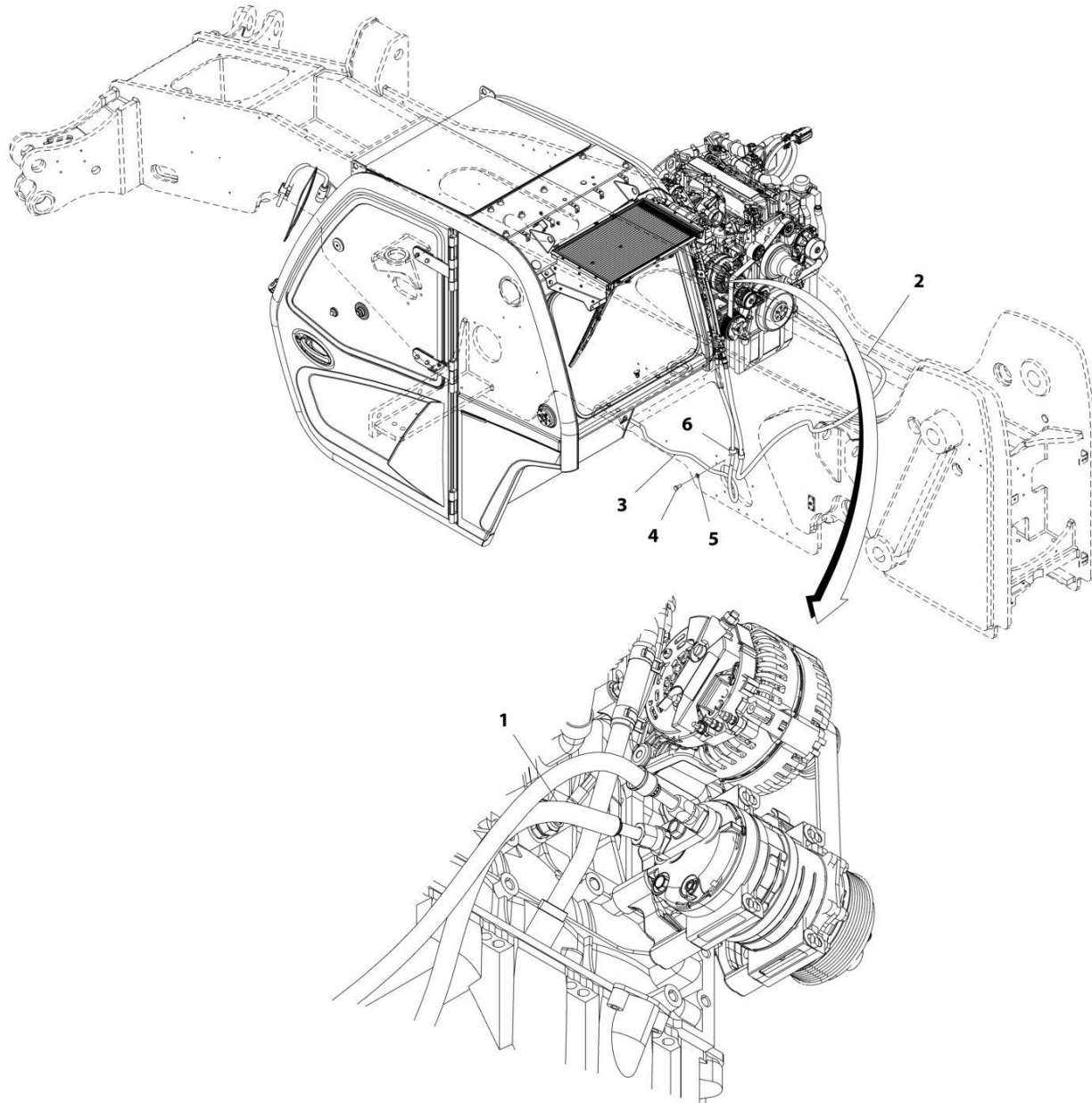
## SECTION 4 - ENGINE AND ATTACHING PARTS

### FIGURE 4-41. A/C PUMP INSTALLATION (LS)

ITEM	PART NUMBER	QTY	DESCRIPTION	REV
	1001206448	Ref	A/C Pump Installation (LS)	A
1	0700827	4	Bolt, M8X100	
2	0760812	2	Bolt, M8X25	
3	1062255	1	Strap, Tie	
4	3290801	2	Nut, M8X1.25 Grade 8	
5	4811900	6	Washer, M8	
6	1001157663	1	Compressor, A/C	
7	1001163254	1	Installation, A/C Lines (See Separate Breakdown in this Section)	
8	1001167357	1	Belt	
9	1001193026	1	Decal, A/C Refrigerant	
10	1001206332	1	Bracket	

# SECTION 4 - ENGINE AND ATTACHING PARTS

## FIGURE 4-42. A/C LINES INSTALLATION



ART\_1001163254-H



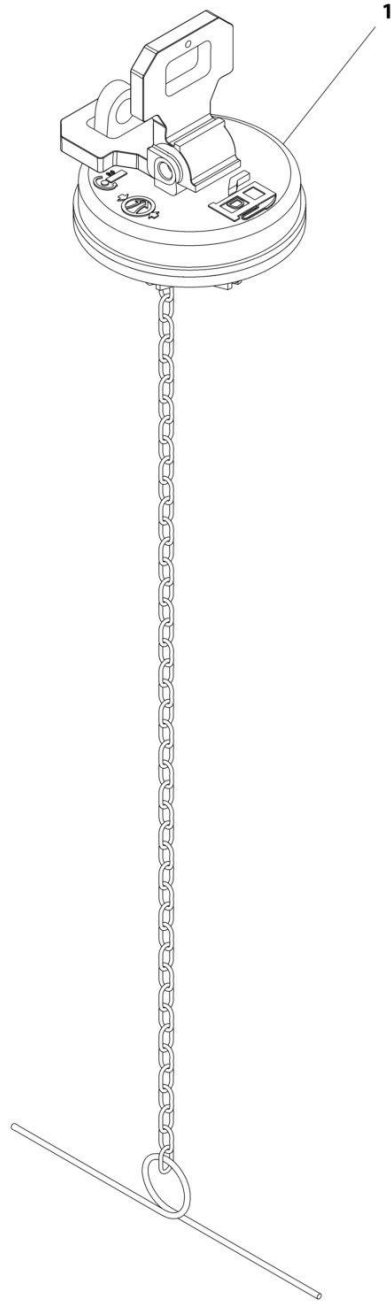
# SECTION 4 - ENGINE AND ATTACHING PARTS

## FIGURE 4-42. A/C LINES INSTALLATION

ITEM	PART NUMBER	QTY	DESCRIPTION	REV
	1001163254	Ref	A/C Lines Installation	H
1	1001196491	1	Hose	
2	1001184017	1	Hose	
3	1001186705	1	Hose	
4	0761012	1	Bolt, M10X25	
5	4812000	1	Washer, M10	
6	8406102	2	Clip	

# SECTION 4 - ENGINE AND ATTACHING PARTS

FIGURE 4-43. FUEL CAP ASSEMBLY



ART\_1001194978-A

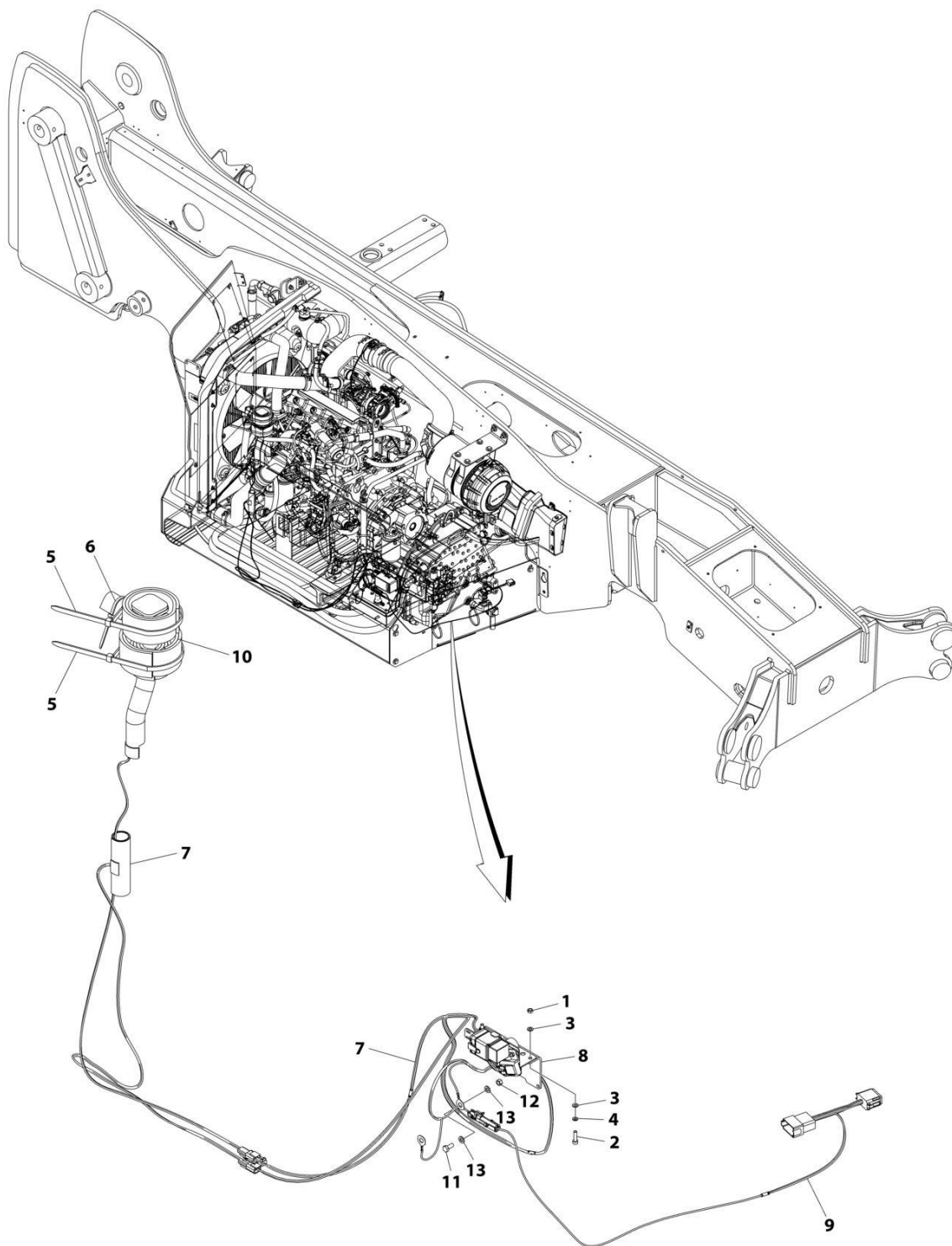
# SECTION 4 - ENGINE AND ATTACHING PARTS

## FIGURE 4-43. FUEL CAP ASSEMBLY

ITEM	PART NUMBER	QTY	DESCRIPTION	REV
1	1001194978	1	Fuel Cap Assembly	A

# SECTION 4 - ENGINE AND ATTACHING PARTS

## FIGURE 4-44. HEATER BREATHER



ART\_1001232751\_C

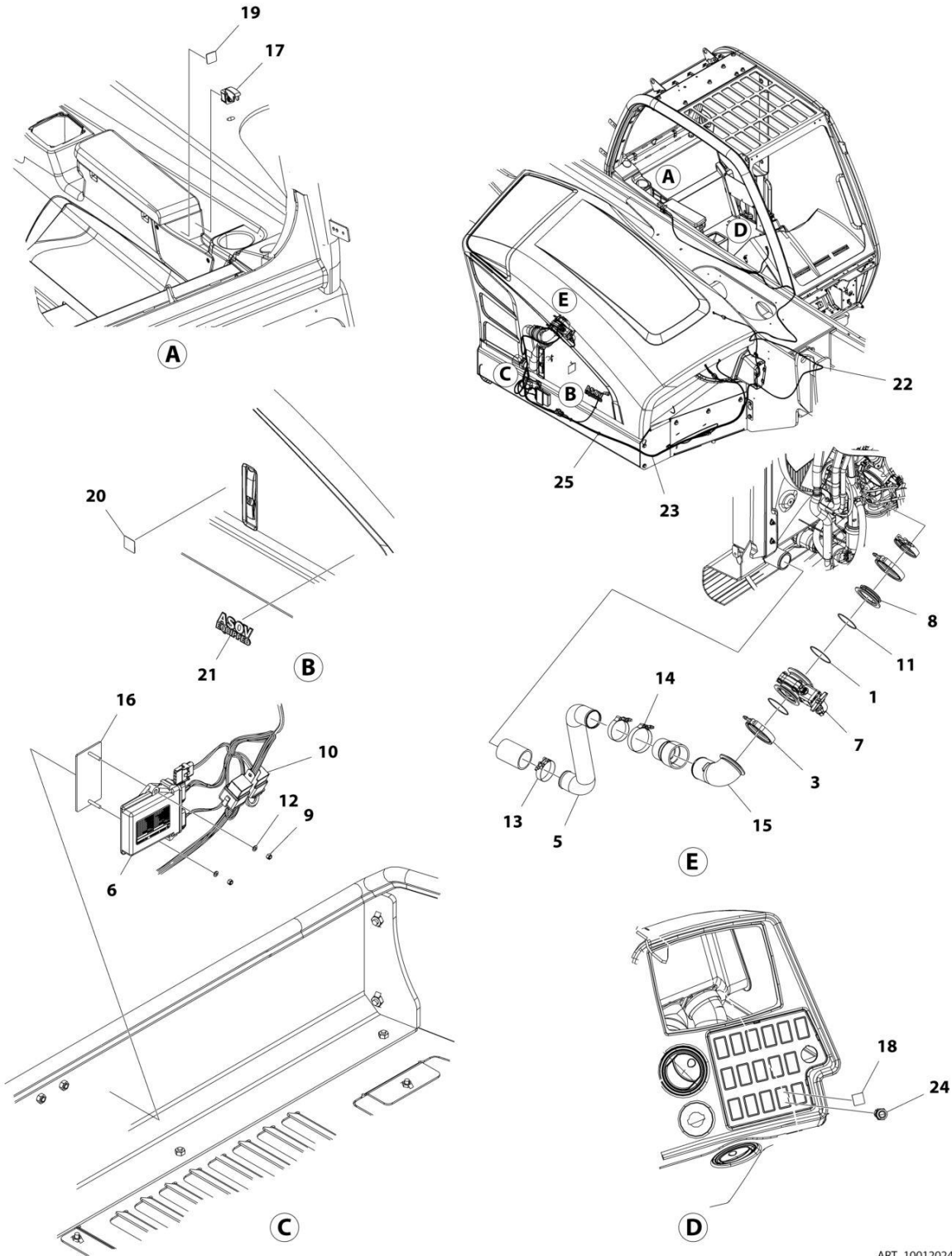
## SECTION 4 - ENGINE AND ATTACHING PARTS

### FIGURE 4-44. HEATER BREATHER

ITEM	PART NUMBER	QTY	DESCRIPTION	REV
	1001232751	Ref	Heater Breather - 110 HP	C
1	3290501	2	Nut, M5X0.8	
2	4031608	2	Screw, M5X20	
3	4811600	4	Washer, M5	
4	4831600	2	Washer, Lock M5	
5	01043892	2	Strap, Tie	
6	86683122	1	Strap, Tie	
7	1001232439	1	Engine, Cummins Breather Kit	
8	1001253331	1	Bracket	
9	1001232556	1	Harness, Cummins Heater Jump	
10	1001232624	1	Insulate, Cummins Insulation	
11	0760607	1	Bolt, M6X1	
12	3290601	1	Nut, M6X1	
13	4811700	2	Washer, M6	

# SECTION 4 - ENGINE AND ATTACHING PARTS

## FIGURE 4-45. AIR INTAKE SHUT OFF VALVE INSTALLATION



ART\_1001202487\_D

## SECTION 4 - ENGINE AND ATTACHING PARTS

**FIGURE 4-45. AIR INTAKE SHUT OFF VALVE INSTALLATION**

ITEM	PART NUMBER	QTY	DESCRIPTION	REV
	1001202487	Ref	Air Intake Shut Off Valve Installation	D
1	3790152	2	Ring	
3	1001202247	2	Clamp	
5	1001202491	1	Pipe	
6	1001203181	1	Accessory, Control	
7	1001204032	1	Valve, Air Shut Off (See Separate Breakdown in HYDRAULIC COMPONENTS Section)	
8	1001206980	1	Plate	
9	3290505	2	Nut, Lock M5X0.8 Grade 8	
10	3740080	2	Relay	
11	3790151	1	O-Ring	
12	4811600	2	Washer, M5	
13	8405212	2	Clamp	
14	8405305	1	Clamp	
15	1001215476	1	Pipe	
16	1001219082	1	Bracket	
17	1001215941	1	Switch	
18	1001227077	1	Decal, Air Shut Off	
19	1001227964	1	Decal, ASOV Test	
20	1001228273	1	Decal, Air Shut Off	
21	1001228643	1	Decal, ASOV Equipped	
22	1001231407	1	Harness, Cab Air Shut Off Valve (See Separate Breakdown in ELECTRICAL Section)	
23	1001231483	1	Harness, Engine Air Shut Off Valve (See Separate Breakdown in ELECTRICAL Section)	
24	1001239539	1	Lamp	
25	91053419	AR	Strap, Cable	

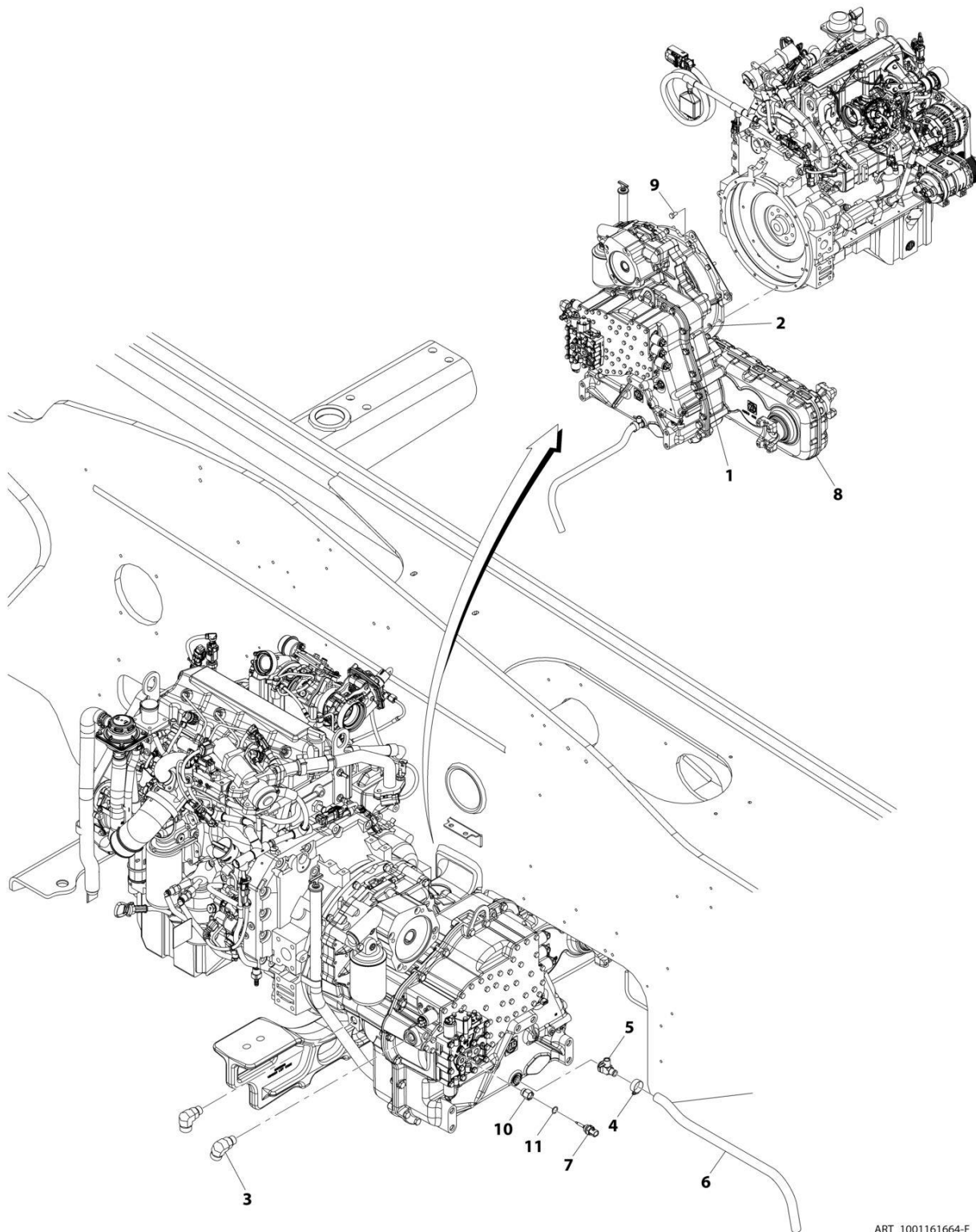




**SECTION 5 - DRIVE TRAIN**

# SECTION 5 - DRIVE TRAIN

## FIGURE 5-1. TRANSMISSION INSTALLATION



ART\_1001161664-F

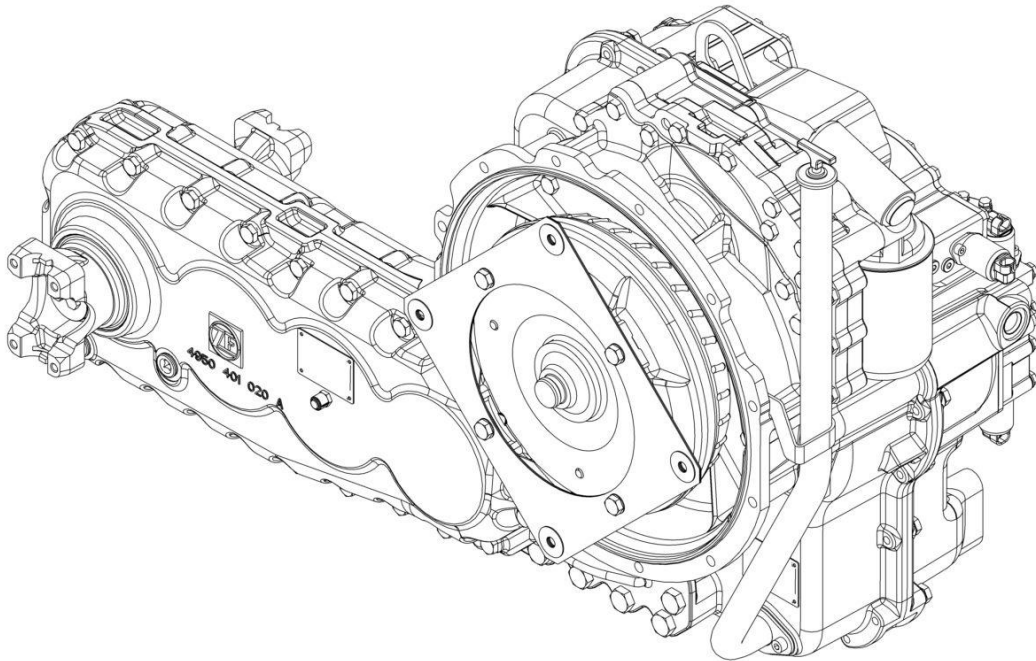
## SECTION 5 - DRIVE TRAIN

### FIGURE 5-1. TRANSMISSION INSTALLATION

ITEM	PART NUMBER	QTY	DESCRIPTION	REV
	1001161664	Ref	Transmission Installation	F
1	0711015	12	Screw, M10X35	
2	4812000	12	Washer, M10	
3	2131210	2	Fitting, 90 ORFS	
4	8405007	1	Clamp, Hose	
5	1001097053	1	Valve, Oil Drain	
6	1001186225	1	Hose, Drain	
7	1001128478	1	Switch, Oil Temperature	
8	1001260171	1	Transmission, Powershift (See Separate Breakdown in this Section)	
9	0761010	4	Screw, M10X20	
10	1001220760	1	Adapter	
11	1001009163	1	Seal	

# SECTION 5 - DRIVE TRAIN

## FIGURE 5-2. POWERSHIFT TRANSMISSION



ART\_1001260171-A

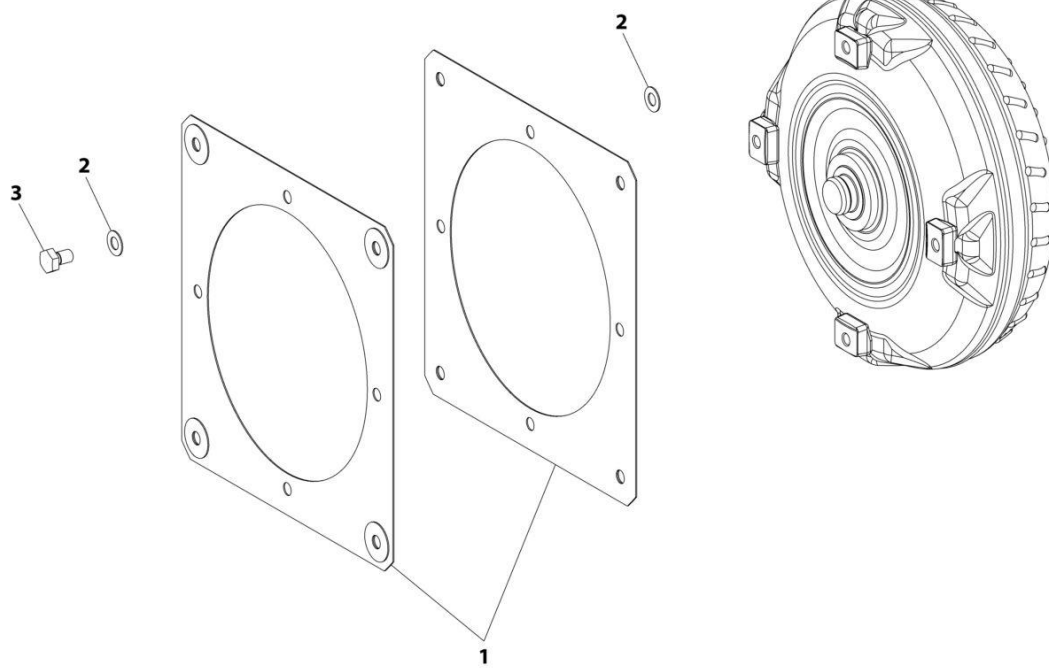
## SECTION 5 - DRIVE TRAIN

**FIGURE 5-2. POWERSHIFT TRANSMISSION**

ITEM	PART NUMBER	QTY	DESCRIPTION	REV
	1001260171	Ref	Powershift Transmission	A
		Ref	Transmission, Engine Connection (See Separate Breakdown in this Section)	
		Ref	Transmission, Converter (See Separate Breakdown in this Section)	
		Ref	Transmission, Input (See Separate Breakdown in this Section)	
		Ref	Transmission, Housing Group 1 (See Separate Breakdown in this Section)	
		Ref	Transmission, Housing Group 2 (See Separate Breakdown in this Section)	
		Ref	Transmission, Clutch Group 1 (See Separate Breakdown in this Section)	
		Ref	Transmission, Clutch Group 2 (See Separate Breakdown in this Section)	
		Ref	Transmission, Coupling Group 1 (See Separate Breakdown in this Section)	
		Ref	Transmission, Coupling Group 2 (See Separate Breakdown in this Section)	
		Ref	Transmission, Coupling Group 3 (See Separate Breakdown in this Section)	
		Ref	Transmission, Coupling Group 4 (See Separate Breakdown in this Section)	
		Ref	Transmission, Output (See Separate Breakdown in this Section)	
		Ref	Transmission, Power Take-Off (See Separate Breakdown in this Section)	
		Ref	Transmission, Control Unit (See Separate Breakdown in this Section)	
		Ref	Transmission, Shift System (See Separate Breakdown in this Section)	
		Ref	Transmission, Pressure Regulator (See Separate Breakdown in this Section)	
		Ref	Transmission, Pressure Oil Pump (See Separate Breakdown in this Section)	
		Ref	Transmission, Inductive Transmitter (See Separate Breakdown in this Section)	
		Ref	Transmission, Filter (See Separate Breakdown in this Section)	
		Ref	Transmission, Oil Dipstick (See Separate Breakdown in this Section)	
		Ref	Transmission, Accessories (See Separate Breakdown in this Section)	

# SECTION 5 - DRIVE TRAIN

## FIGURE 5-3. TRANSMISSION, ENGINE CONNECTION



ART\_1001260171\_1-A

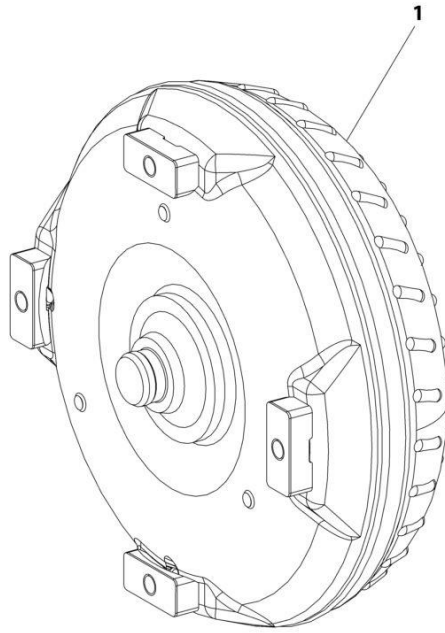
## SECTION 5 - DRIVE TRAIN

FIGURE 5-3. TRANSMISION, ENGINE CONNECTION

ITEM	PART NUMBER	QTY	DESCRIPTION	REV
1	1319229	2	Diaphragm	
2	7026745	8	Washer	
3	7026744	4	Screw	

# SECTION 5 - DRIVE TRAIN

## FIGURE 5-4. TRANSMISSION, CONVERTER



ART\_1001260171\_2-A



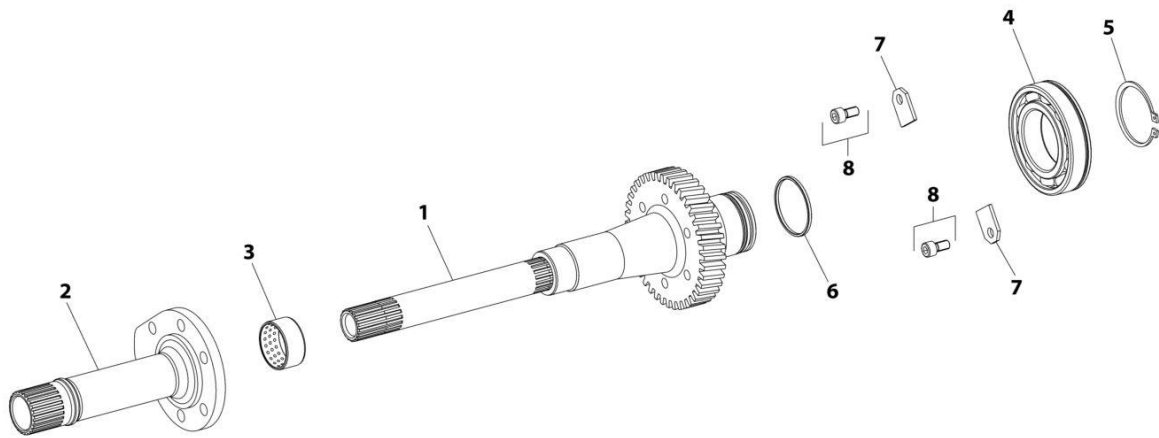
## SECTION 5 - DRIVE TRAIN

FIGURE 5-4. TRANSMISSION, CONVERTER

ITEM	PART NUMBER	QTY	DESCRIPTION	REV
1	7026746	1	Converter	

# SECTION 5 - DRIVE TRAIN

## FIGURE 5-5. TRANSMISSION, INPUT



ART\_1001260171\_3-A

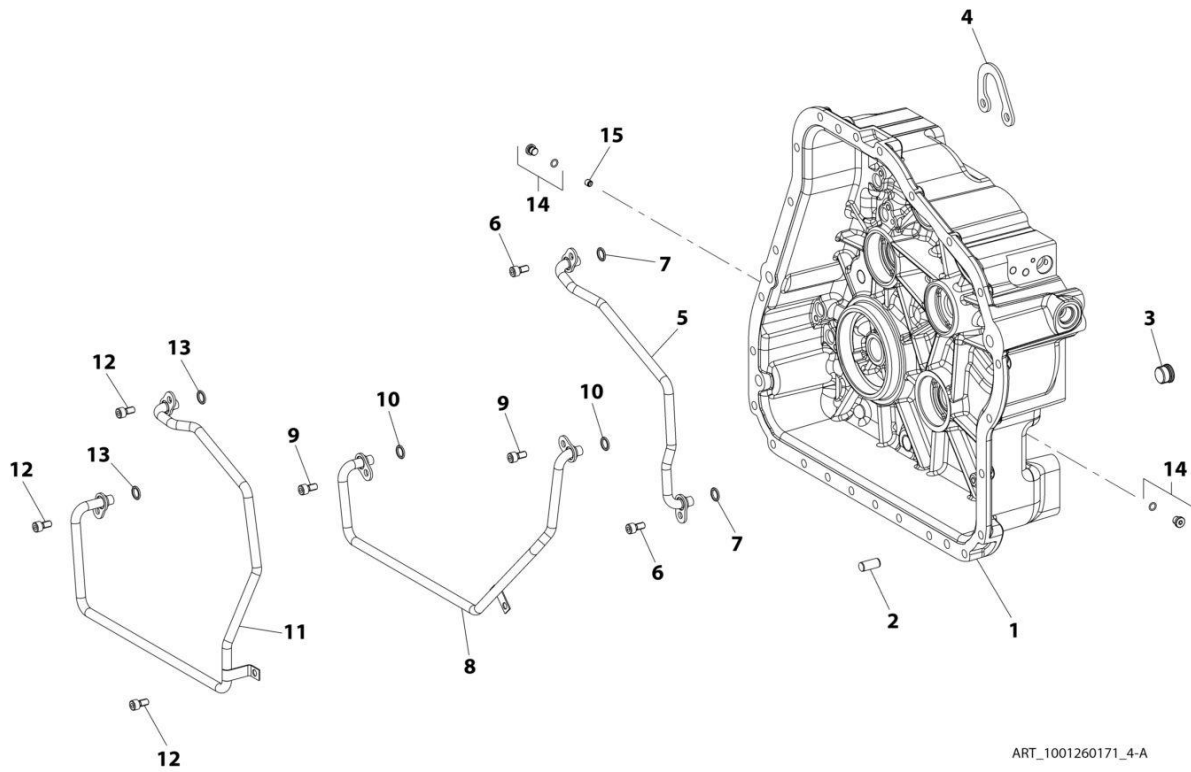
## SECTION 5 - DRIVE TRAIN

### FIGURE 5-5. TRANSMISSION, INPUT

ITEM	PART NUMBER	QTY	DESCRIPTION	REV
1	7026747	1	Shaft, Turbine	
2	7026748	1	Shaft, Stator	
3	1319558	1	Bushing, Bearing	
4	1319563	1	Bearing, Ball	
5	80304405	1	Ring, Retaining	
6	7026749	1	Ring, Piston	
7	70026515	2	Strap	
8	70026516	2	Bolt	

# SECTION 5 - DRIVE TRAIN

## FIGURE 5-6. TRANSMISSION, HOUSING GROUP 1



ART\_1001260171\_4-A

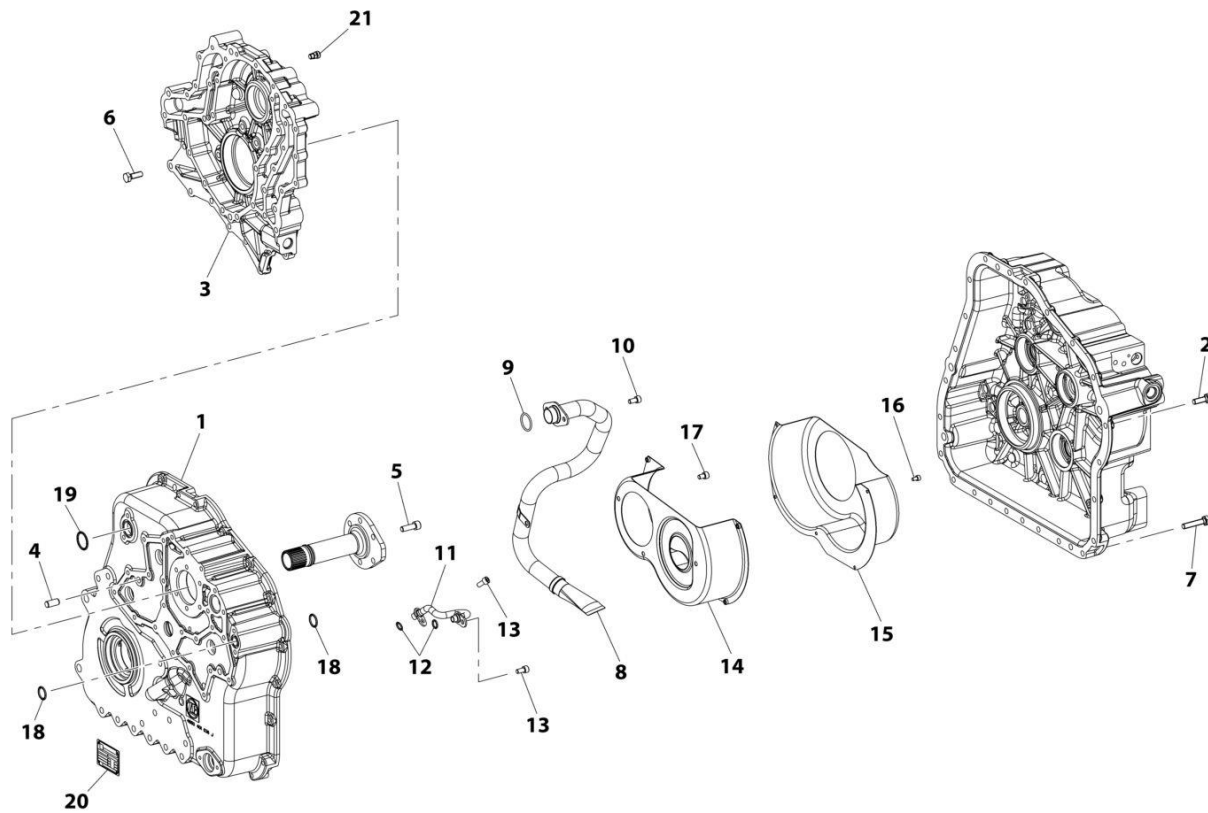
## SECTION 5 - DRIVE TRAIN

### FIGURE 5-6. TRANSMISSION, HOUSING GROUP 1

ITEM	PART NUMBER	QTY	DESCRIPTION	REV
1	7029973	1	Housing	
2	1319571	2	Pin, Cylindrical	
3	70029525	1	Plug, Screw	
4	1319590	1	Bracket	
5	7026750	1	Tube	
6	70026516	2	Screw	
7	8036847	2	O-Ring	
8	7026751	1	Pipe, Gearbox Housing	
9	70026516	2	Screw	
10	8036847	2	O-Ring	
11	7026752	1	Pipe, Gearbox Housing	
12	70026516	3	Bolt	
13	8036847	2	O-Ring	
14	70026517	7	Screw Plug	
15	70026518	1	Nozzle	

# SECTION 5 - DRIVE TRAIN

## FIGURE 5-7. TRANSMISSION, HOUSING GROUP 2



ART\_1001260171\_5-A

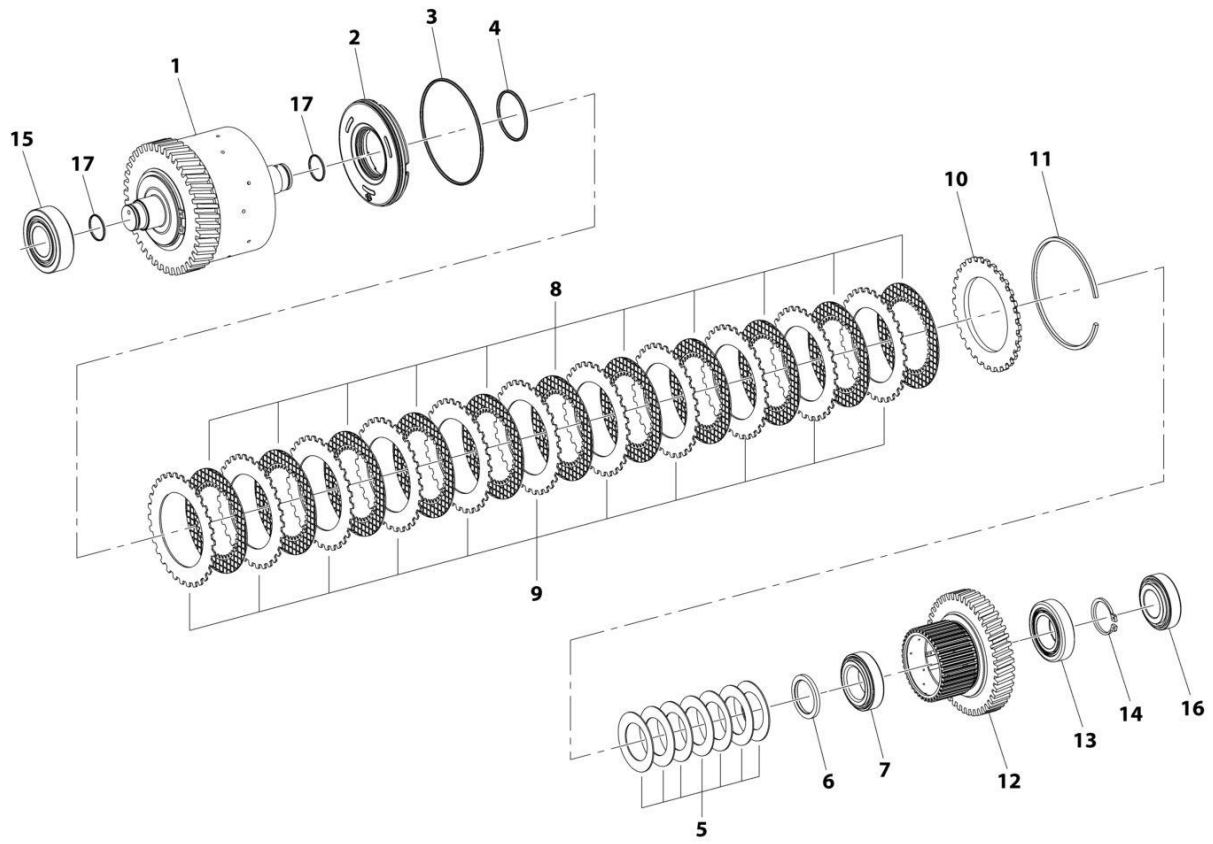
## SECTION 5 - DRIVE TRAIN

### FIGURE 5-7. TRANSMISSION, HOUSING GROUP 2

ITEM	PART NUMBER	QTY	DESCRIPTION	REV
1	70028854	1	Housing	
2	70027651	18	Bolt	
3	70021920	1	Housing	
4	1319571	2	Pin, Cylindrical	
5	70026519	6	Bolt	
6	70027651	13	Bolt	
7	7026794	7	Screw	
8	70028853	1	Suction Tube	
9	70023885	1	O-Ring	
10	70026516	2	Bolt	
11	7026754	1	Pipe, Gearbox Housing	
12	8036847	2	O-Ring	
13	70026516	2	Bolt	
14	7026755	1	Screen Sheet, Gearbox Housing	
15	7026756	1	Screen Sheet, Gearbox Housing	
16	7029031	5	Screw	
17	70028855	3	Screw	
18	7026792	2	O-Ring	
19	70023885	1	O-Ring	
20	10731744	1	Breather	

# SECTION 5 - DRIVE TRAIN

## FIGURE 5-8. TRANSMISSION, CLUTCH GROUP 1



ART\_1001260171\_6-A



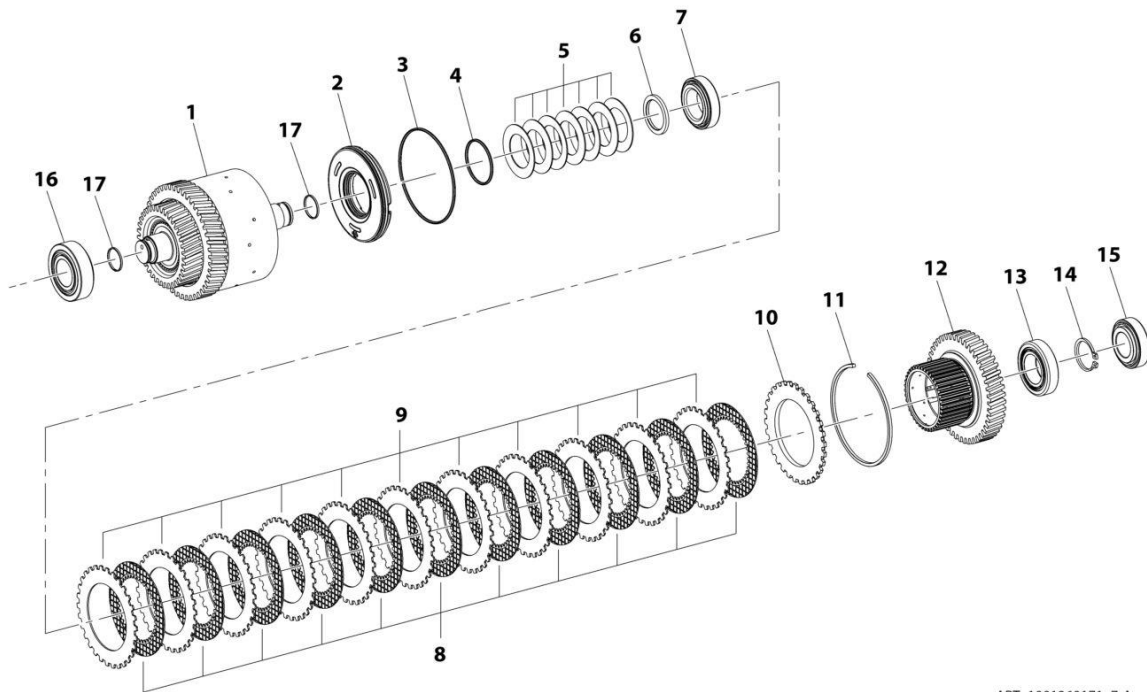
## SECTION 5 - DRIVE TRAIN

**FIGURE 5-8. TRANSMISSION, CLUTCH GROUP 1**

ITEM	PART NUMBER	QTY	DESCRIPTION	REV
1	7026757	1	Coupling	
2	70022075	1	Piston	
3	1319594	1	O-Ring, 115X3	
4	1319593	1	O-Ring, 52X3	
5	1319595	7	Spring, Cup	
6	1319617	1	Shim, Support	
7	1319618	1	Bearing, Roller	
8	7026758	11	Inner Clutch Disk	
9	7026759	11	Outer Clutch Disk	
10	7026760	1	End Shim	
11	70026529	1	Snap Ring, 2.50	
12	7029852	1	Snap Ring, 2.75	
13	1319602	1	Snap Ring, 3.0	
14	7029849	1	Snap Ring, 3.25	
15	1319601	1	Snap Ring, 3.5	
16	7029850	1	Snap Ring, 3.75	
17	1319600	1	Snap Ring, 4.00	
18	1319638	1	Carrier, Disc	
19	1319620	1	Bearing, Taper Roller	
20	1319632	1	Ring, Retaining 38 X 2.1	
21	1319631	1	Ring, Retaining 38 X 2.2	
22	1319630	1	Ring, Retaining 38 X 2.3	
23	1319628	1	Ring, Retaining 38 X 2.4	
24	1319628	1	Ring, Retaining 38 X 2.5	
25	1319627	1	Ring, Retaining 2.60	
26	1319626	1	Ring, Retaining 2.70	
27	1319625	1	Ring, Retaining 2.80	
28	1319624	1	Ring, Retaining 2.90	
29	1319623	1	Ring, Retaining 3.00	
30	1319622	1	Ring, Retaining 3.10	
31	1319621	1	Ring, Retaining 3.20	
32	1319615	1	Bearing, Roller	
33	1319636	1	Bearing, Tapered Roller	
34	7026761	2	Ring, Piston	

# SECTION 5 - DRIVE TRAIN

## FIGURE 5-9. TRANSMISSION, CLUTCH GROUP 2



ART\_1001260171\_7-A

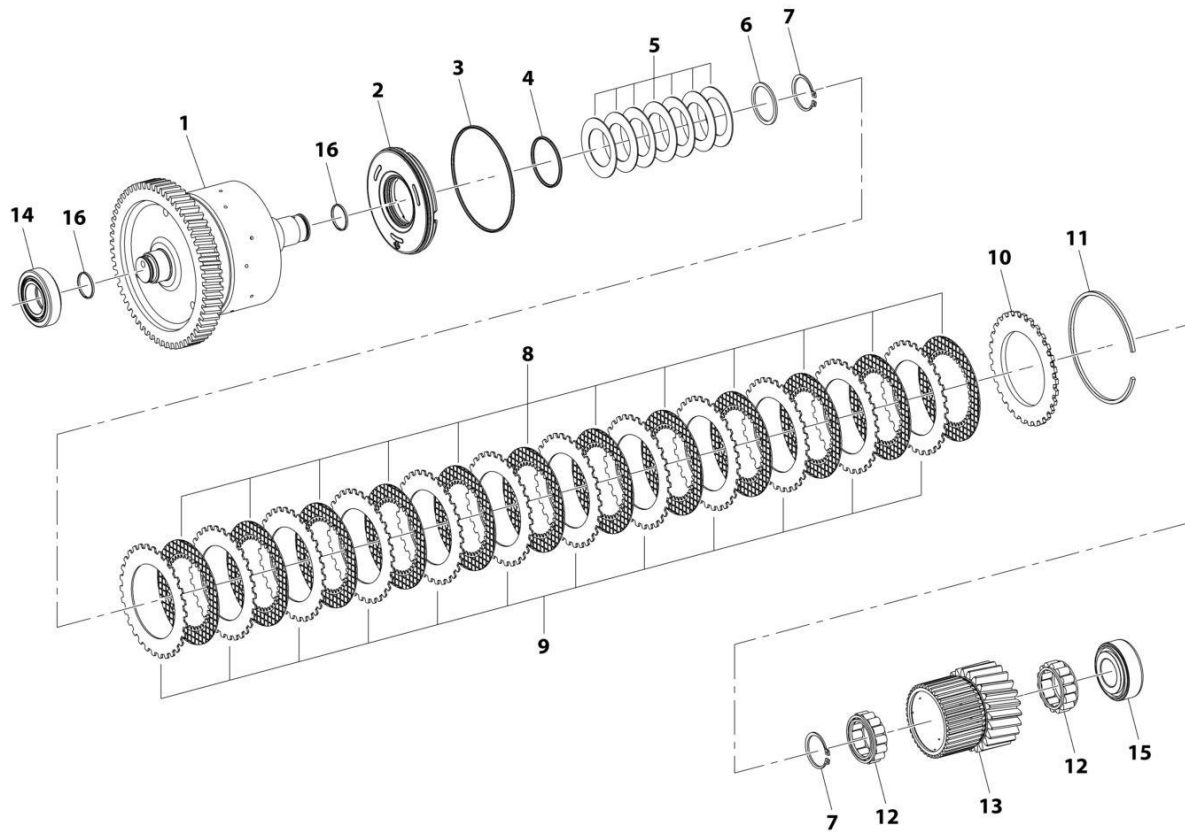
## SECTION 5 - DRIVE TRAIN

**FIGURE 5-9. TRANSMISSION, CLUTCH GROUP 2**

ITEM	PART NUMBER	QTY	DESCRIPTION	REV
1	7026762	1	Coupling	
2	70022075	1	Piston	
3	1319594	1	O-Ring, 115X3	
4	1319593	1	O-Ring, 52X3	
5	1319595	7	Cup Spring	
6	1319617	1	Shim, Support	
7	1319618	1	Bearing, Roller	
8	7026758	11	Clutch Disk, Inner	
9	7026759	11	Clutch Disk, Outer	
10	7026760	1	End Shim	
11	70026529	1	Snap Ring, 2.50	
	7029852	1	Snap Ring, 2.75	
	1319602	1	Snap Ring, 3.0	
	7029849	1	Snap Ring, 3.25	
	1319601	1	Snap Ring, 3.5	
	7029850	1	Snap Ring, 3.75	
	1319600	1	Snap Ring, 4.00	
12	1319638	1	Carrier, Disc	
13	1319620	1	Bearing, Taper Roller	
14	1319632	1	Ring, Retaining 38 X 2.1	
	1319631	1	Ring, Retaining 38 X 2.2	
	1319630	1	Ring, Retaining 38 X 2.3	
	1319628	1	Ring, Retaining 38 X 2.5	
	1319628	1	Ring, Retaining 38 X 2.4	
	1319627	1	Ring, Retaining 2.60	
	1319626	1	Ring, Retaining 2.70	
	1319625	1	Ring, Retaining 2.80	
	1319624	1	Ring, Retaining 2.90	
	1319623	1	Ring, Retaining 3.00	
	1319622	1	Ring, Retaining 3.10	
	1319621	1	Ring, Retaining 3.20	
15	1319615	1	Bearing, Roller	
16	1319636	1	Bearing, Tapered Roller	
17	7026761	2	Ring, Piston	

# SECTION 5 - DRIVE TRAIN

## FIGURE 5-10. TRANSMISSION, COUPLING GROUP 1



ART\_1001260171\_8-A

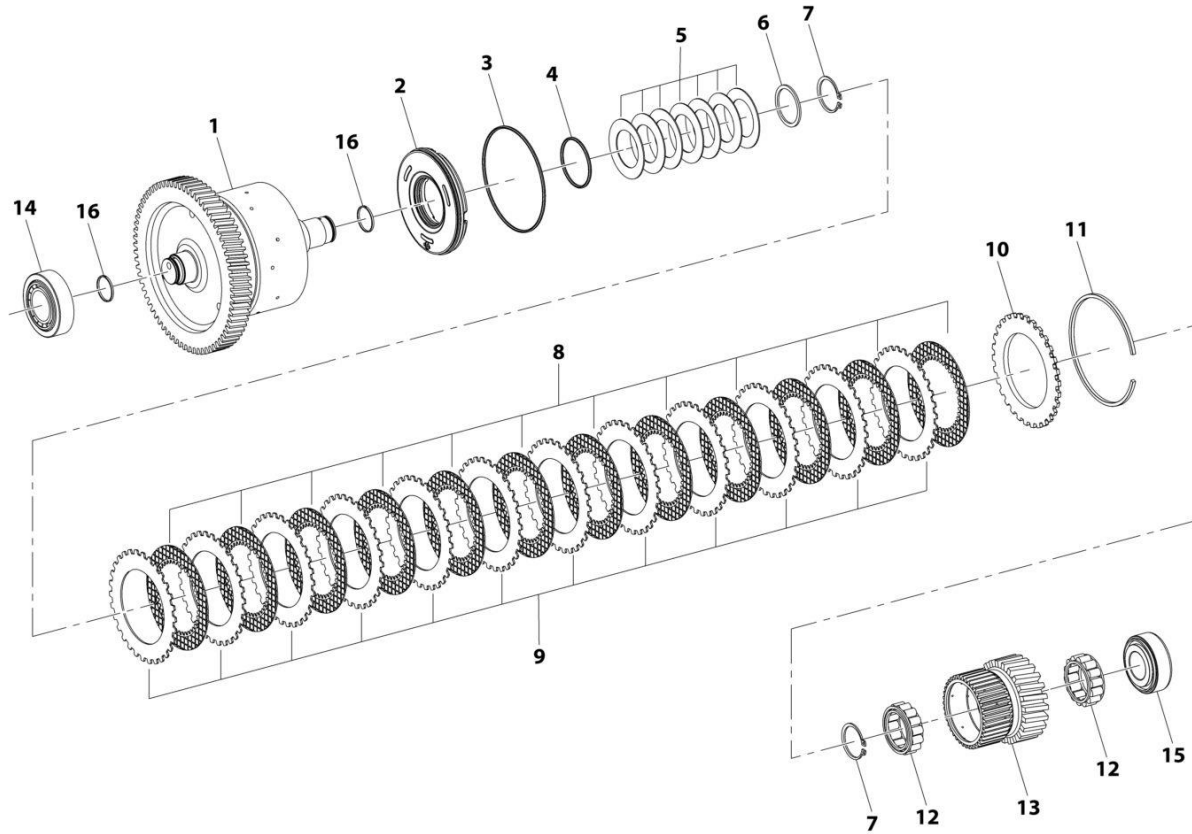
## SECTION 5 - DRIVE TRAIN

**FIGURE 5-10. TRANSMISSION, COUPLING GROUP 1**

ITEM	PART NUMBER	QTY	DESCRIPTION	REV
1	70026530	1	Coupling	
2	1319613	1	Coupling	
3	1319594	1	O-Ring, 115 X 3	
4	1319593	1	O-Ring, 52 X 3	
5	1319595	7	Cup Spring	
6	70029526	1	Shim	
7	10731845	2	Retaining Ring	
8	7026758	12	Inner Clutch Disk	
9	7026759	12	Static Disc	
10	7026760	1	End Shim	
11	70026529	1	Snap Ring, 2.50	
	7029852	1	Snap Ring, 2.75	
	1319602	1	Snap Ring, 3.00	
	70026529	1	Snap Ring, 3.25	
	1319601	1	Snap Ring, 3.50	
	7029850	2	Snap Ring, 3.75	
	1319600	1	Snap Ring, 4.00	
17	7027265	1	Roller Cage	
	70024902	1	Washer, Roller Cage	
18	7027265	1	Roller Gage Assembly	
19	1319608	1	Bearing, Tapered Roller	
20	8036190	1	Roller Bearing Assembly	
21	7026761	2	Ring, Piston	

# SECTION 5 - DRIVE TRAIN

## FIGURE 5-11. TRANSMISSION, COUPLING GROUP 2



ART\_1001260171\_9-A

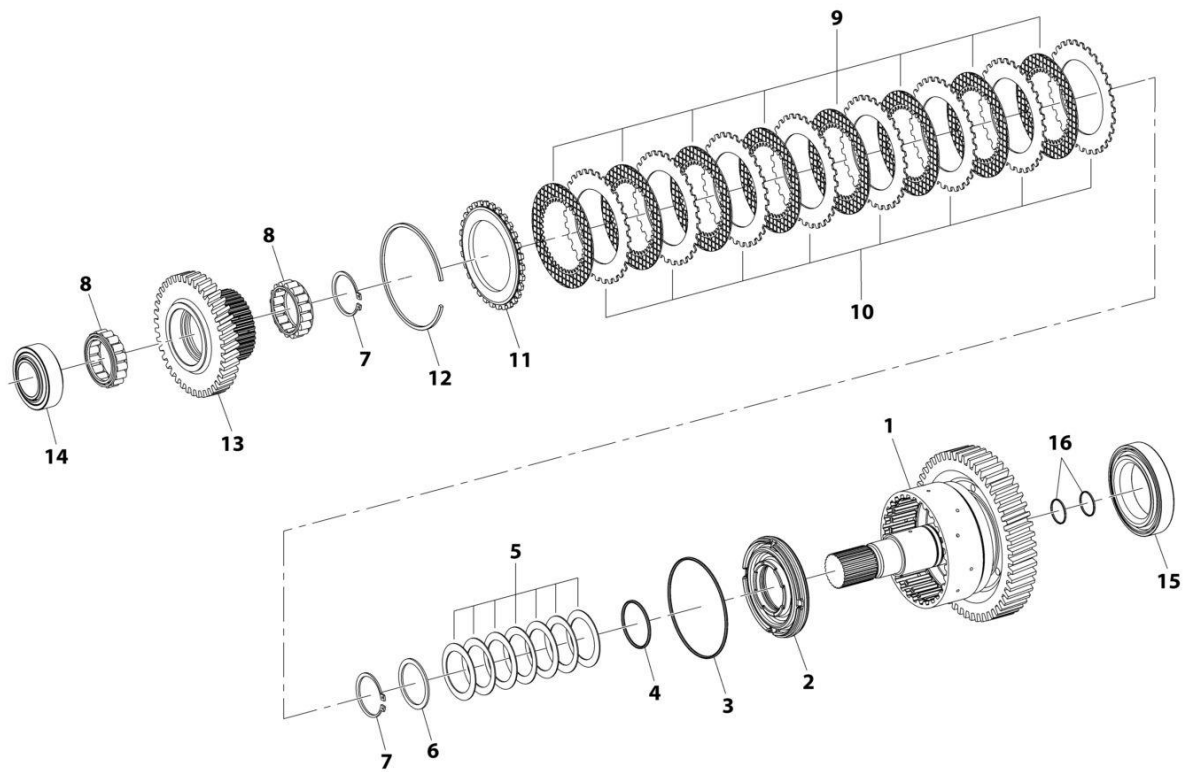
## SECTION 5 - DRIVE TRAIN

**FIGURE 5-11. TRANSMISSION, COUPLING GROUP 2**

ITEM	PART NUMBER	QTY	DESCRIPTION	REV
1	70026535	1	Coupling	
2	70022075	1	Piston	
3	1319594	1	O-Ring, 115 X 3	
4	1319593	1	O-Ring, 52 X 3	
5	1319595	7	Spring, Cup	
6	70029526	1	Shim	
7	10731845	2	Retaining Ring	
8	7026758	8	Inner Clutch Disk	
9	7026759	8	Outer Clutch Disk	
10	7026760	1	End Shim	
11	70026529	1	Snap Ring, 2.50	
	7029852	1	Snap Ring, 2.75	
	1319602	1	Snap Ring, 3.00	
	7029849	1	Snap Ring, 3.25	
	1319601	1	Snap Ring, 3.50	
	7029850	1	Snap Ring, 3.75	
	1319600	1	Snap Ring, 4.00	
12	1319606	1	Roller Cage	
	7027265	1	Roller Cage	
13	1319614	1	Carrier, Disc	
14	1319615	1	Roller Bearing	
15	8036190	1	Bearing, Tapered Roller	
16	7026761	2	Piston Ring	

# SECTION 5 - DRIVE TRAIN

## FIGURE 5-12. TRANSMISSION, COUPLING GROUP 3



ART\_1001260171\_10-A



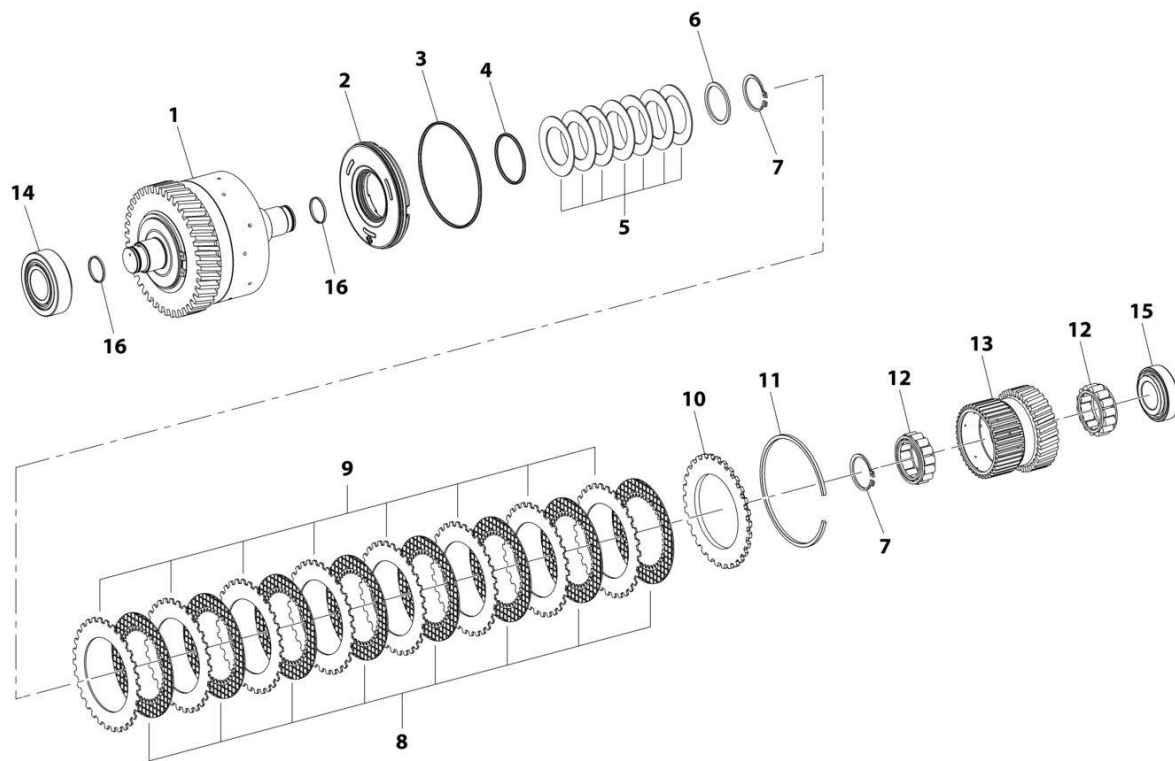
## SECTION 5 - DRIVE TRAIN

**FIGURE 5-12. TRANSMISSION, COUPLING GROUP 3**

ITEM	PART NUMBER	QTY	DESCRIPTION	REV
1	70026532	1	Coupling	
2	70022075	1	Piston	
3	1319594	1	O-Ring, 115 X 3	
4	1319593	1	O-Ring, 52 X 3	
5	7026765	7	Spring, Cup	
6	7026766	1	Washer	
7	80304227	2	Retaining Ring	
8	70021227	1	Ring	
	70021228	1	Roller Cage	
9	7026758	8	Inner Clutch Disk	
10	7026759	8	Outer Clutch Disk	
11	7026760	1	End Shim	
12	70026529	1	Snap Ring, 2.50	
	7029852	1	Snap Ring, 2.75	
	1319602	1	Snap Ring, 3.00	
	7029849	1	Snap Ring, 3.25	
	1319601	1	Snap Ring, 3.50	
	7029850	1	Snap Ring, 3.75	
	1319600	1	Snap Ring, 4.00	
13	7027267	1	Carrier, Disc	
14	70021268	1	Outer Bearing Ring	
	70021269	1	Inner Bearing Ring	
15	7026769	1	Bearing, Roller	
16	7026761	2	Ring, Piston	

# SECTION 5 - DRIVE TRAIN

## FIGURE 5-13. TRANSMISSION, COUPLING GROUP 4



ART\_1001260171\_11-A

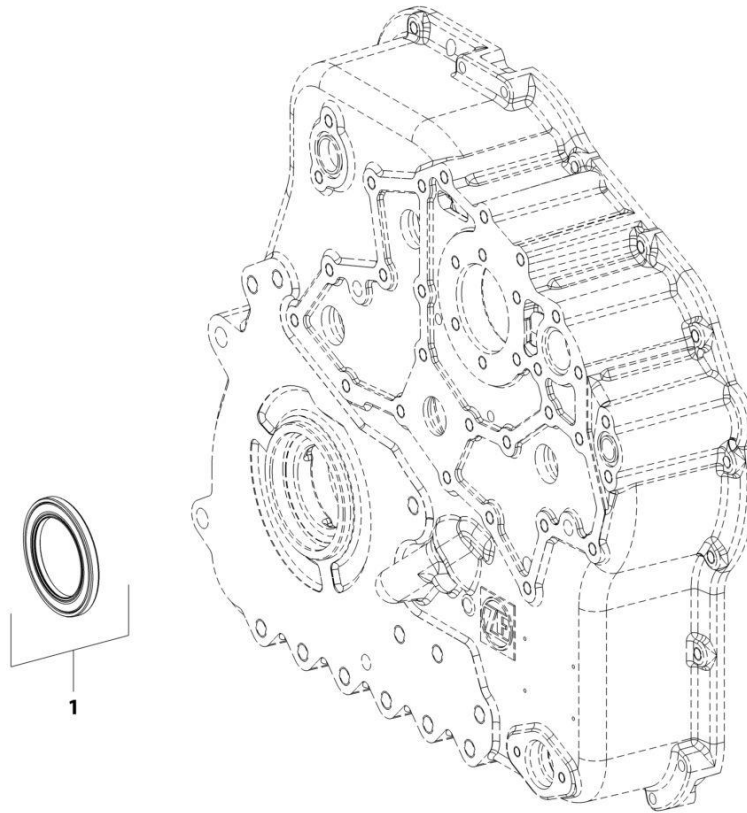
## SECTION 5 - DRIVE TRAIN

**FIGURE 5-13. TRANSMISSION, COUPLING GROUP 4**

ITEM	PART NUMBER	QTY	DESCRIPTION	REV
1	70026535	1	Coupling	
2	70022075	1	Piston	
3	1319594	1	O-Ring, 115 X 3	
4	1319593	1	O-Ring, 52 X 3	
5	1319595	7	Spring, Cup	
6	70029526	1	Shim	
7	10731845	2	Ring, Retaining	
8	7026758	8	Inner Clutch Disk	
9	7026759	8	Outer Clutch Disk	
10	7026760	1	End Shim	
11	70026529	1	Snap Ring, 2.50	
	7029852	1	Snap Ring, 2.75	
	1319602	1	Snap Ring, 3.00	
	7029849	1	Snap Ring, 3.25	
	1319601	1	Snap Ring, 3.50	
	7029850	1	Snap Ring, 3.75	
	1319600	1	Snap Ring, 4.00	
12	1319606	1	Cage, Roller	
	70024902	1	Washer, Roller Cage	
13	1319635	1	Carrier, Disc	
14	1319615	1	Bearing, Roller	
15	1319636	1	Bearing, Roller	
16	7026761	2	Ring, Piston	

# SECTION 5 - DRIVE TRAIN

## FIGURE 5-14. TRANSMISSION, OUTPUT



ART\_1001260171\_12-A

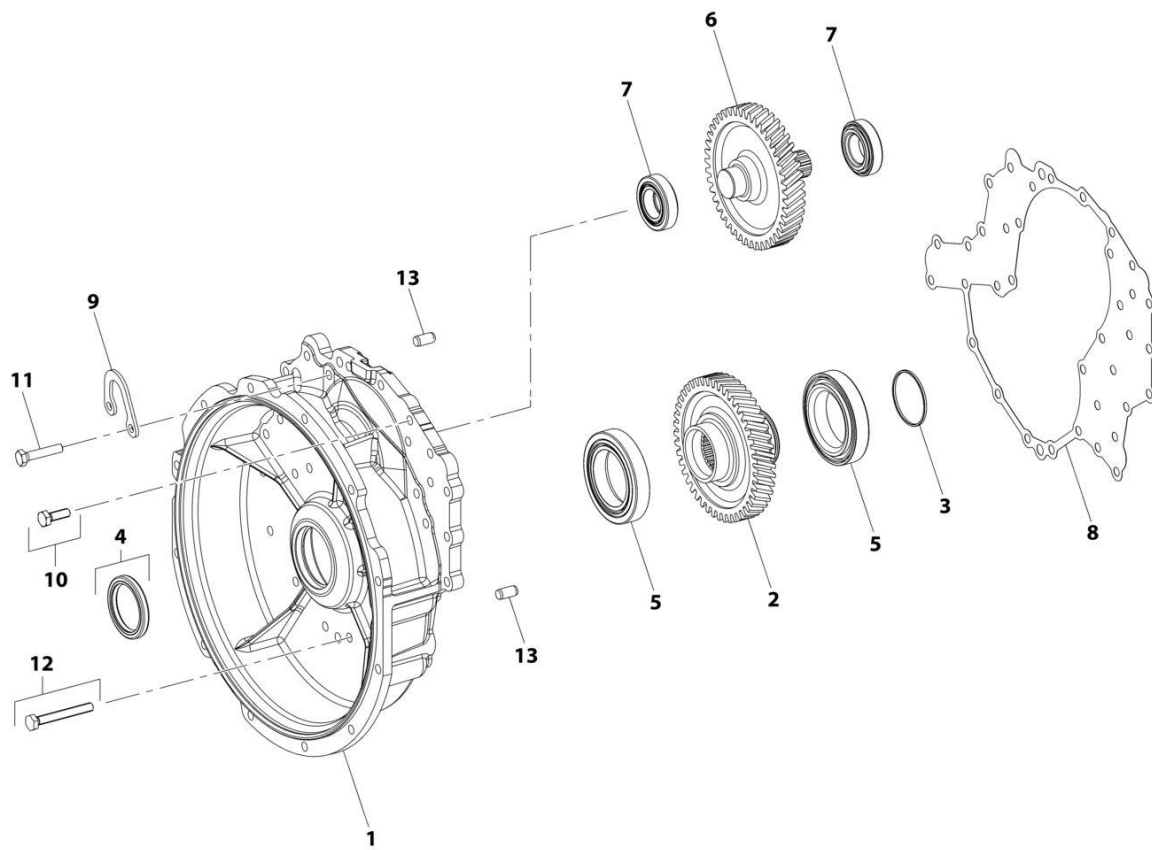
## SECTION 5 - DRIVE TRAIN

FIGURE 5-14. TRANSMISSION, OUTPUT

ITEM	PART NUMBER	QTY	DESCRIPTION	REV
1	70026536	1	Shaft Seal	

# SECTION 5 - DRIVE TRAIN

## FIGURE 5-15. TRANSMISSION, POWER TAKE-OFF



ART\_1001260171\_13-A

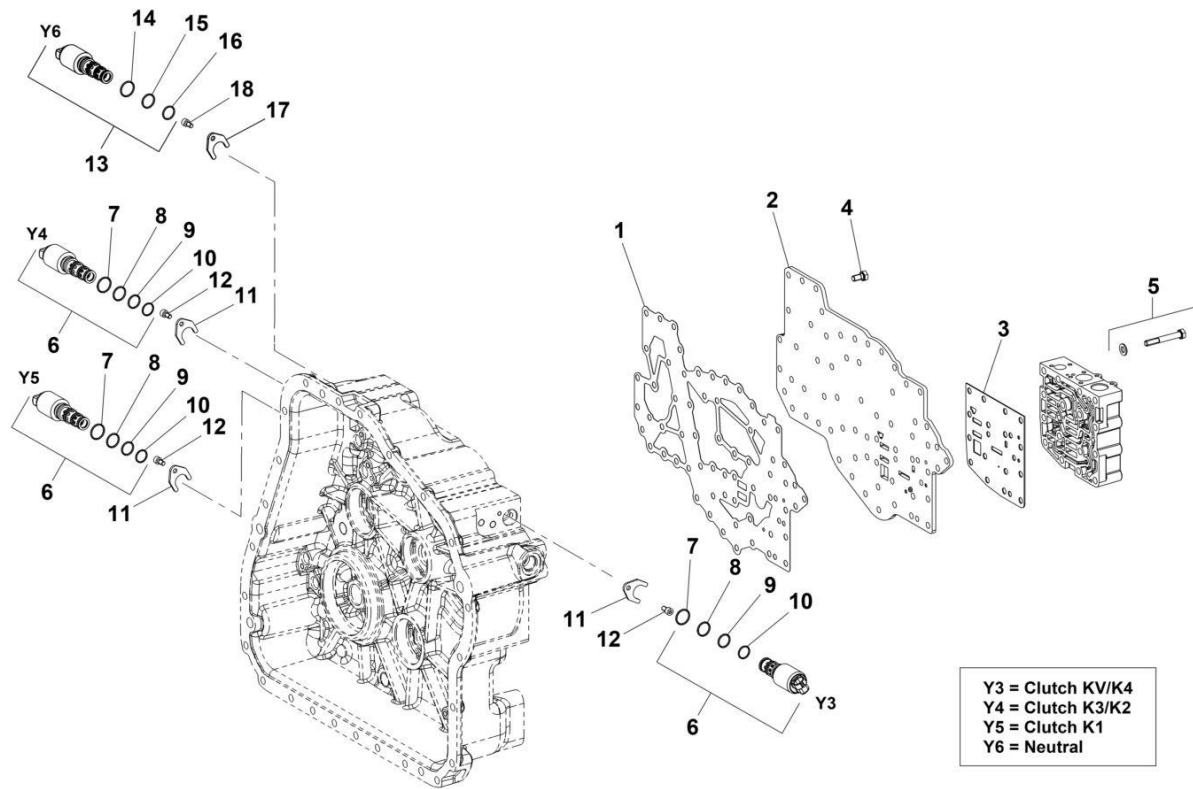
## SECTION 5 - DRIVE TRAIN

### FIGURE 5-15. TRANSMISSION, POWER TAKE-OFF

ITEM	PART NUMBER	QTY	DESCRIPTION	REV
1	70021526	1	PTO Housing	
2	7026771	1	Shaft	
3	7026772	1	Ring, Piston	
4	1319576	1	Shaft Seal	
5	7026769	2	Roller Bearing	
6	7026773	1	Shaft	
7	1319608	2	Bearing, Roller	
8	7026774	1	Gasket	
9	1319590	1	Bracket	
10	70027651	19	Bolt	
11	70029527	2	Bolt	
12	7026775	15	Screw	
13	1319571	2	Pin, Cylindrical	

# SECTION 5 - DRIVE TRAIN

## FIGURE 5-16. TRANSMISSION, CONTROL UNIT



ART\_1001260171\_14-A



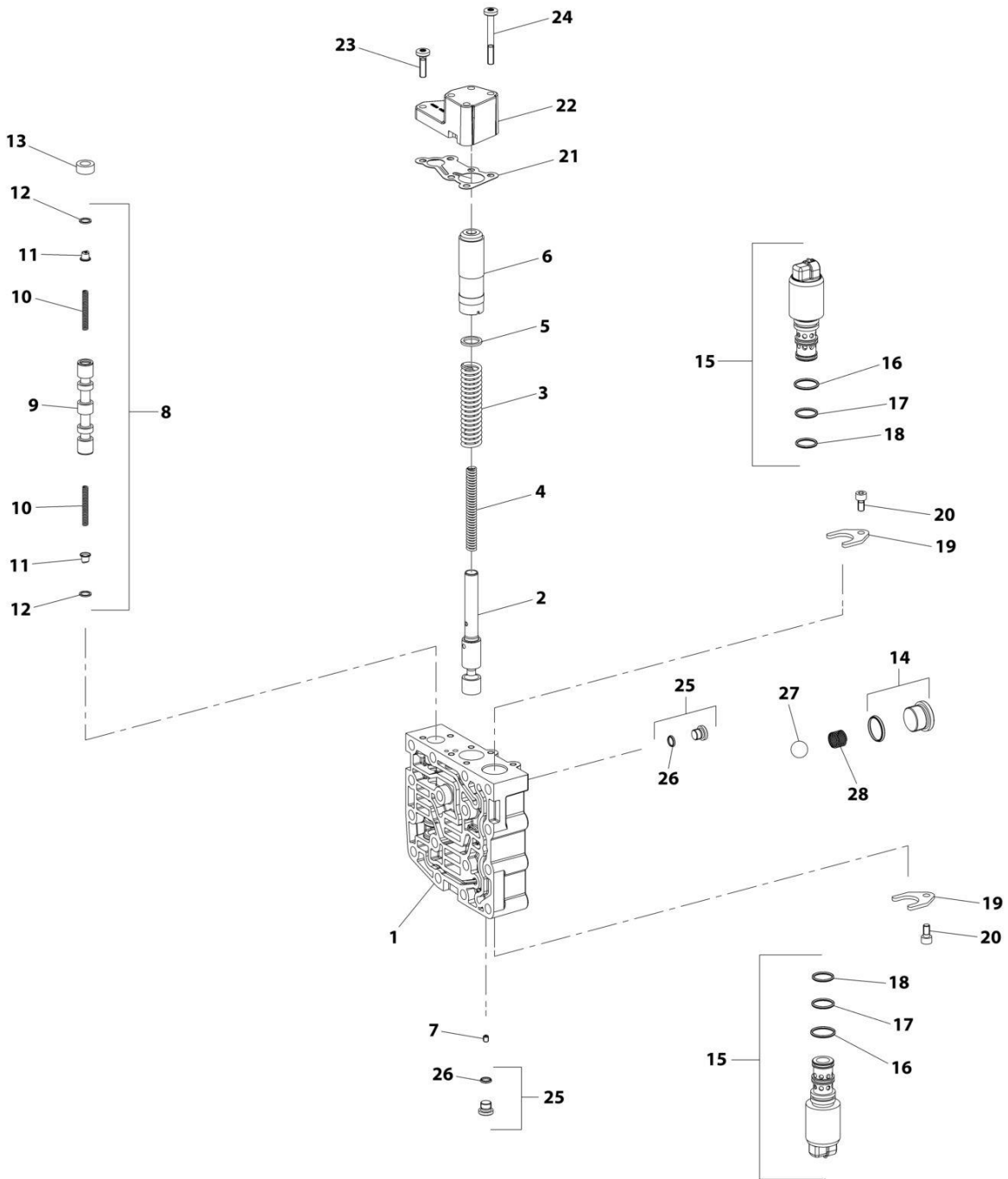
## SECTION 5 - DRIVE TRAIN

**FIGURE 5-16. TRANSMISSION, CONTROL UNIT**

ITEM	PART NUMBER	QTY	DESCRIPTION	REV
1	7026776	1	Gasket	
2	70029528	1	Plate	
3	70026539	1	Intermediate Sheet	
4	7026780	46	Screw	
5	7026781	16	Screw	
5	10732095	16	Washer	
6	8036529	3	Valve, Solenoid	
7	70029540	1	O-Ring	
8	70029541	1	O-Ring	
9	70029542	1	O-Ring	
10	70029543	1	O-Ring	
11	7029267	3	Bracket	
12	70026544	3	Bolt	
13	8036528	1	Valve, Solenoid	
14	70029540	1	O-Ring	
15	70029541	1	O-Ring	
16	70029530	1	O-Ring	
17	7029267	1	Bracket	
18	70026544	1	Bolt	

# SECTION 5 - DRIVE TRAIN

## FIGURE 5-17. TRANSMISSION, SHIFT SYSTEM



ART\_1001260171\_15-A

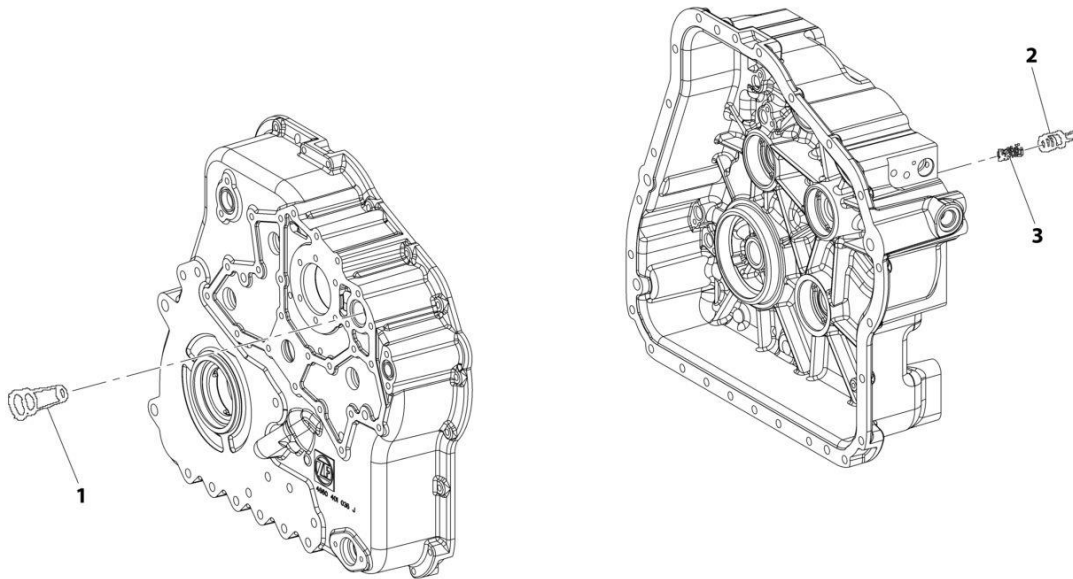
## SECTION 5 - DRIVE TRAIN

**FIGURE 5-17. TRANSMISSION, SHIFT SYSTEM**

ITEM	PART NUMBER	QTY	DESCRIPTION	REV
1	70029531	1	Valve Housing	
2	70026547	1	Control Piston	
3	1319683	1	Spring, Compression	
4	1319684	1	Spring, Compression	
5	1319689	1	Washer, 0.20	
	1319688	1	Washer, 0.30	
	1319687	1	Washer, 0.50	
	1319685	1	Washer, 2.00	
	1319686	1	Washer, 1.00	
6	70026548	1	Piston	
7	70029532	1	Nozzle	
8	1319694	1	Valve	
9	70029533	1	Piston	
10	70029534	2	Compression Spring	
11	70029535	2	Spring Sleeve	
12	70029536	2	Snap Ring	
13	7026787	1	Spacer	
14	70026554	1	Screw Plug	
	70000656	1	O-Ring	
15	8036528	2	Valve, Solenoid	
16	70029540	1	O-Ring	
17	70029541	1	O-Ring	
18	70029530	1	O-Ring	
19	7029267	2	Bracket	
20	70026544	2	Bolt	
21	7026788	1	Gasket	
22	7026789	1	Cover	
23	70026555	2	Torx Screw	
24	70026556	4	Torx Screw	
25	70026517	2	Screw Plug	
26	10731709	1	O-Ring	
27	70029537	1	Ball	
28	10732072	1	Spring, Compression	

# SECTION 5 - DRIVE TRAIN

## FIGURE 5-18. TRANSMISSION, PRESSURE REGULATOR



ART\_1001260171\_16-A

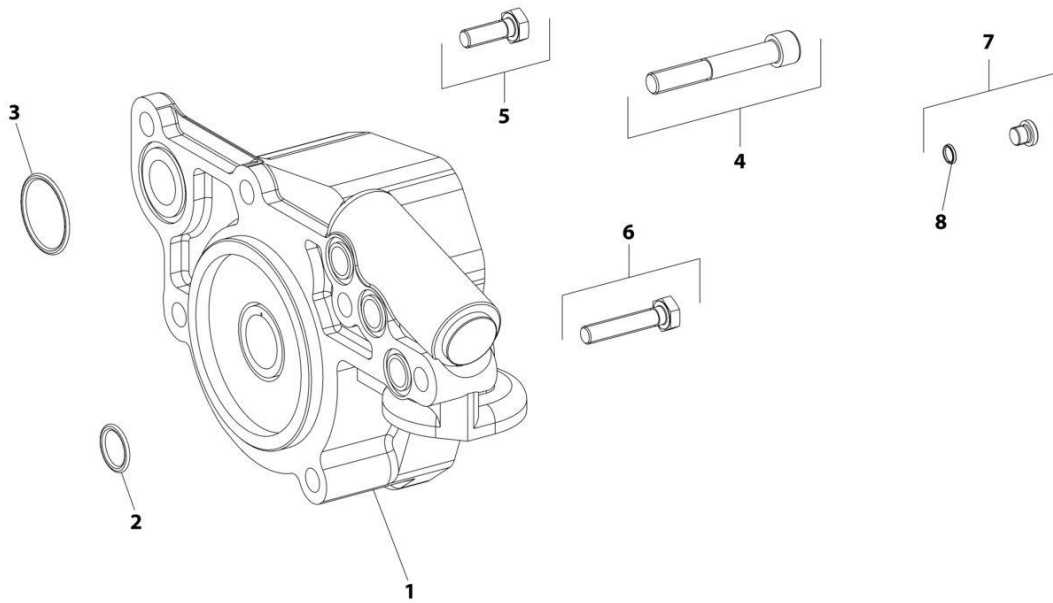
## SECTION 5 - DRIVE TRAIN

FIGURE 5-18. TRANSMISSION, PRESSURE REGULATOR

ITEM	PART NUMBER	QTY	DESCRIPTION	REV
1	7026782	1	Valve	
2	7026783	1	Piston	
3	7026784	1	Spring, Compression	

# SECTION 5 - DRIVE TRAIN

## FIGURE 5-19. TRANSMISSION, PRESSURE OIL PUMP



ART\_1001260171\_17-A

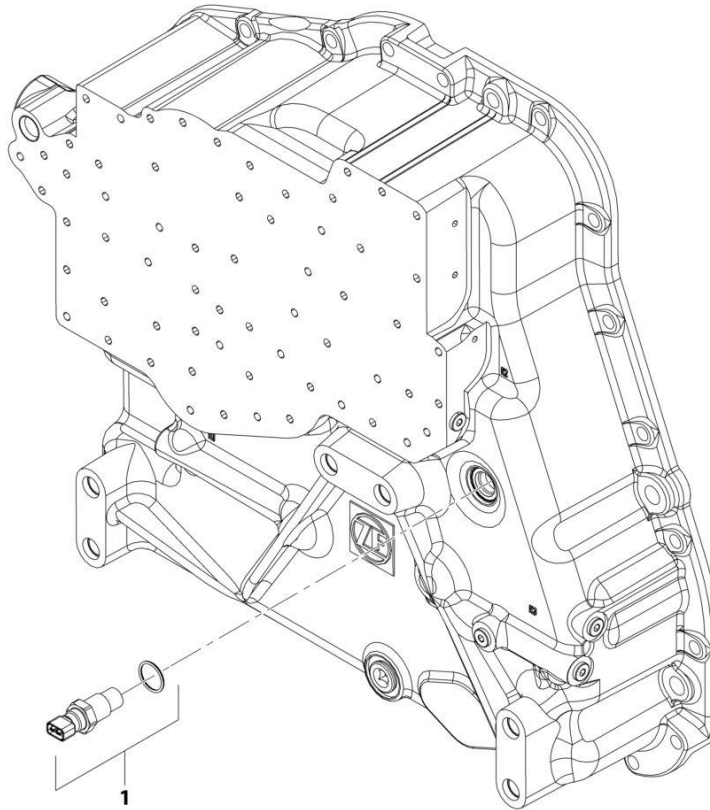
## SECTION 5 - DRIVE TRAIN

FIGURE 5-19. TRANSMISSION, PRESSURE OIL PUMP

ITEM	PART NUMBER	QTY	DESCRIPTION	REV
1	7026791	1	Pump	
2	7026792	3	O-Ring	
3	70029538	1	O-Ring	
4	7026793	4	Screw	
5	70027651	1	Screw	
6	7026794	1	Screw	
7	70026517	2	Screw Plug	
8	10731709	2	O-Ring	

# SECTION 5 - DRIVE TRAIN

## FIGURE 5-20. TRANSMISSION, INDUCTIVE TRANSMITTER



ART\_1001260171\_18-A



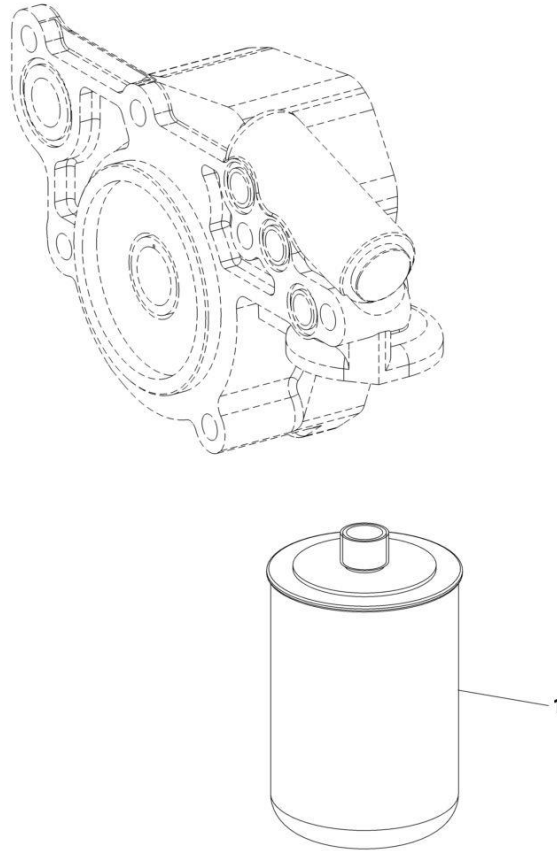
## SECTION 5 - DRIVE TRAIN

FIGURE 5-20. TRANSMISSION, INDUCTIVE TRANSMITTER

ITEM	PART NUMBER	QTY	DESCRIPTION	REV
1	1001190881	1	Inductive Sensor	
1	70029539	1	O-Ring	

# SECTION 5 - DRIVE TRAIN

## FIGURE 5-21. TRANSMISSION, FILTER



ART\_1001260171\_19-A

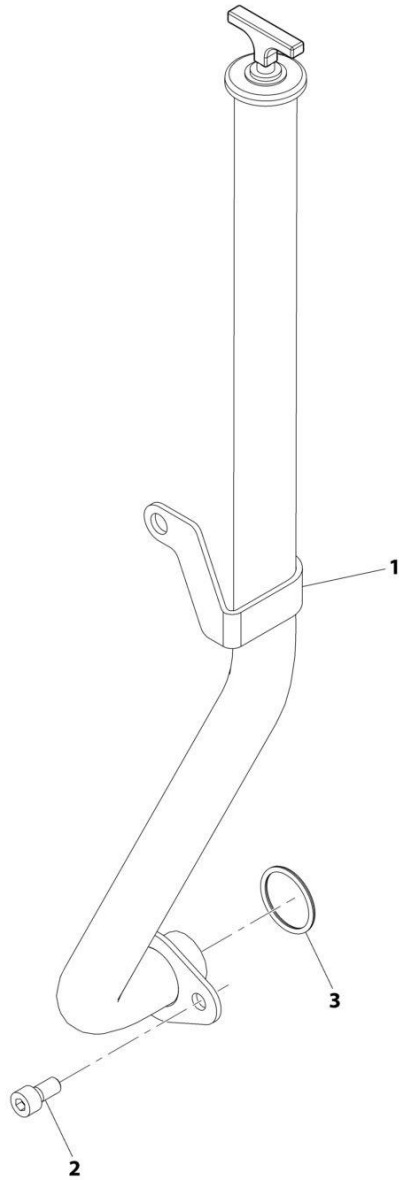
## SECTION 5 - DRIVE TRAIN

FIGURE 5-21. TRANSMISSION, FILTER

ITEM	PART NUMBER	QTY	DESCRIPTION	REV
1	1319726	1	Filter	

# SECTION 5 - DRIVE TRAIN

## FIGURE 5-22. TRANSMISSION, OIL DIPSTICK



ART\_1001260171\_20-A

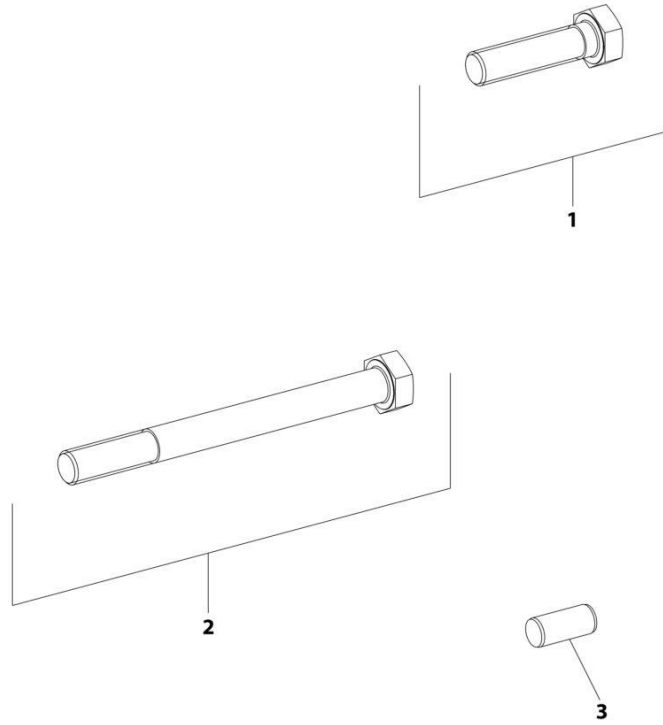
## SECTION 5 - DRIVE TRAIN

FIGURE 5-22. TRANSMISSION, OIL DIPSTICK

ITEM	PART NUMBER	QTY	DESCRIPTION	REV
1	1001095738	1	Oil Tube & Dipstick	
2	70026516	2	Bolt	
3	70023885	1	O-Ring	

# SECTION 5 - DRIVE TRAIN

## FIGURE 5-23. TRANSMISSION, ACCESSORIES



ART\_1001260171\_21-A

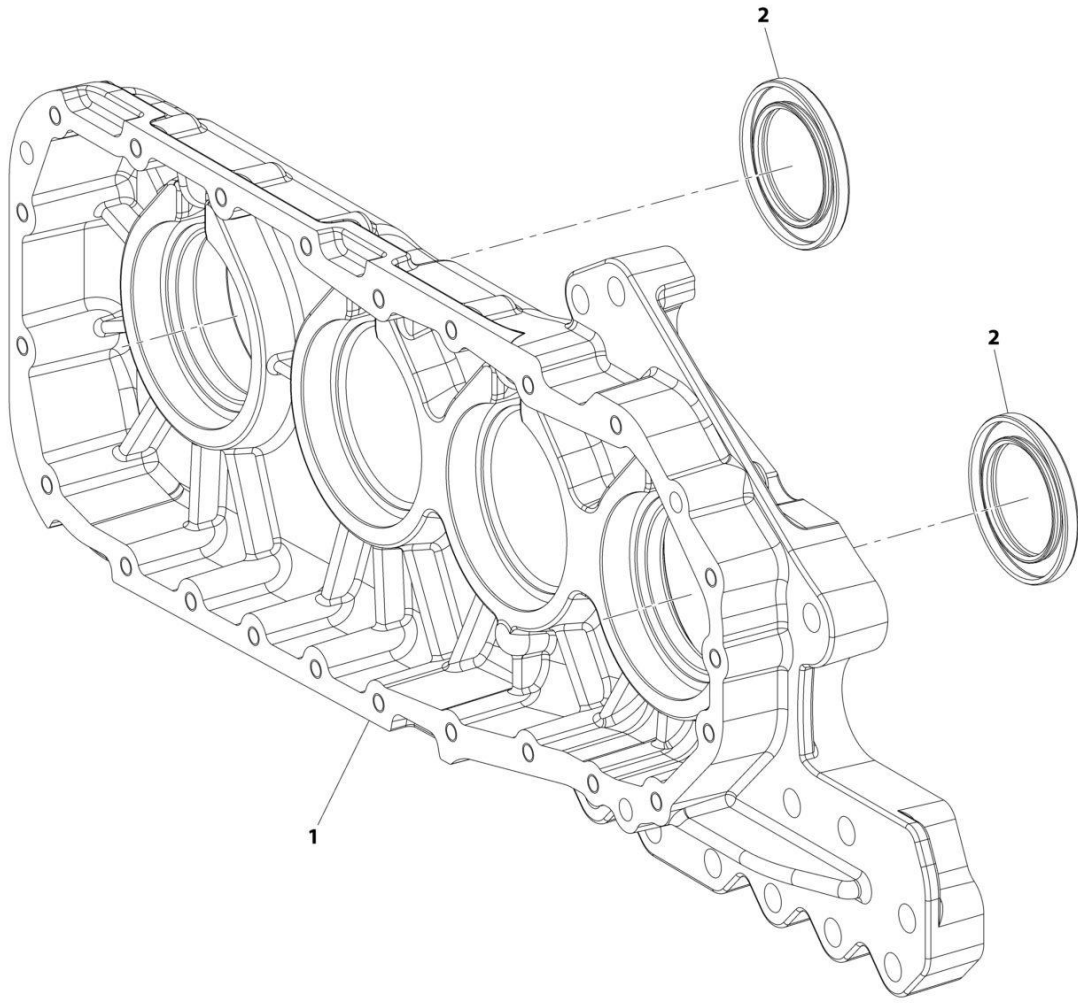
## SECTION 5 - DRIVE TRAIN

FIGURE 5-23. TRANSMISSION, ACCESSORIES

ITEM	PART NUMBER	QTY	DESCRIPTION	REV
1	7027254	12	Screw	
2	7027255	2	Screw	
3	1319571	1	Pin, Cylindrical	

# SECTION 5 - DRIVE TRAIN

## FIGURE 5-24. TRANSMISSION, TRANSFER BOX HOUSING 1



ART\_1001260171\_22-A



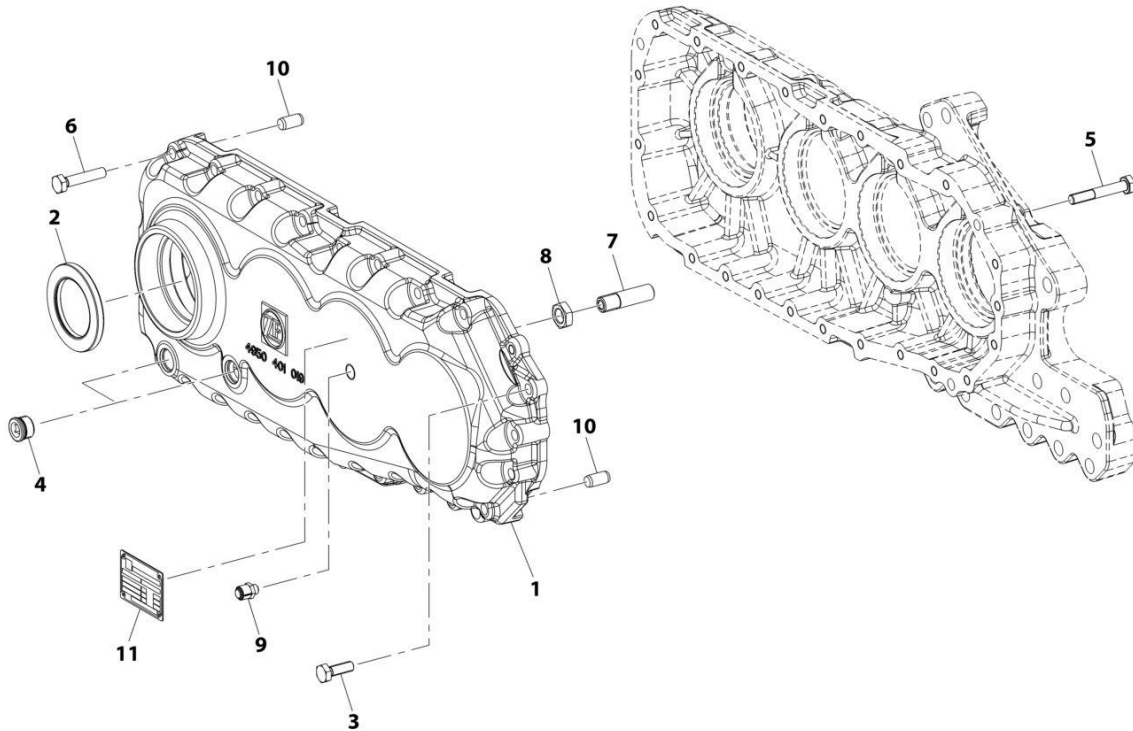
## SECTION 5 - DRIVE TRAIN

FIGURE 5-24. TRANSMISSION, TRANSFER BOX HOUSING 1

ITEM	PART NUMBER	QTY	DESCRIPTION	REV
1	70023474	1	Housing, Transfer Box	
2	70026536	2	Shaft Seal	

# SECTION 5 - DRIVE TRAIN

## FIGURE 5-25. TRANSMISSION, TRANSFER BOX HOUSING 2



ART\_1001260171\_23-A

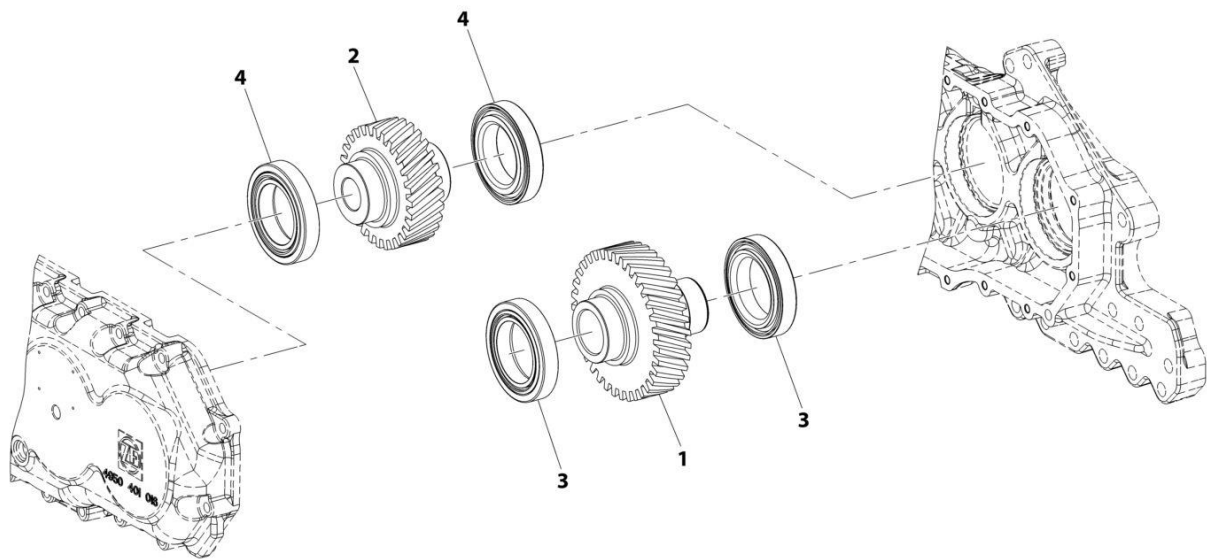
## SECTION 5 - DRIVE TRAIN

FIGURE 5-25. TRANSMISSION, TRANSFER BOX HOUSING 2

ITEM	PART NUMBER	QTY	DESCRIPTION	REV
1	70028163	1	Housing, Transfer Box	
2	70026536	1	Shaft Seal	
3	70023800	1	Bolt	
4	70029525	2	Plug, Screw	
5	70023476	1	Bolt	
6	70023801	22	Bolt	
7	7026577	1	Sleeve	
8	7026578	1	Nut	
9	1319436	1	Breather	
10	1319571	2	Pin	
11	N.S.S.	1	S/N Plate	

# SECTION 5 - DRIVE TRAIN

FIGURE 5-26. TRANSMISSION, TRANSFER BOX HOUSING INPUT



ART\_1001260171\_24-A

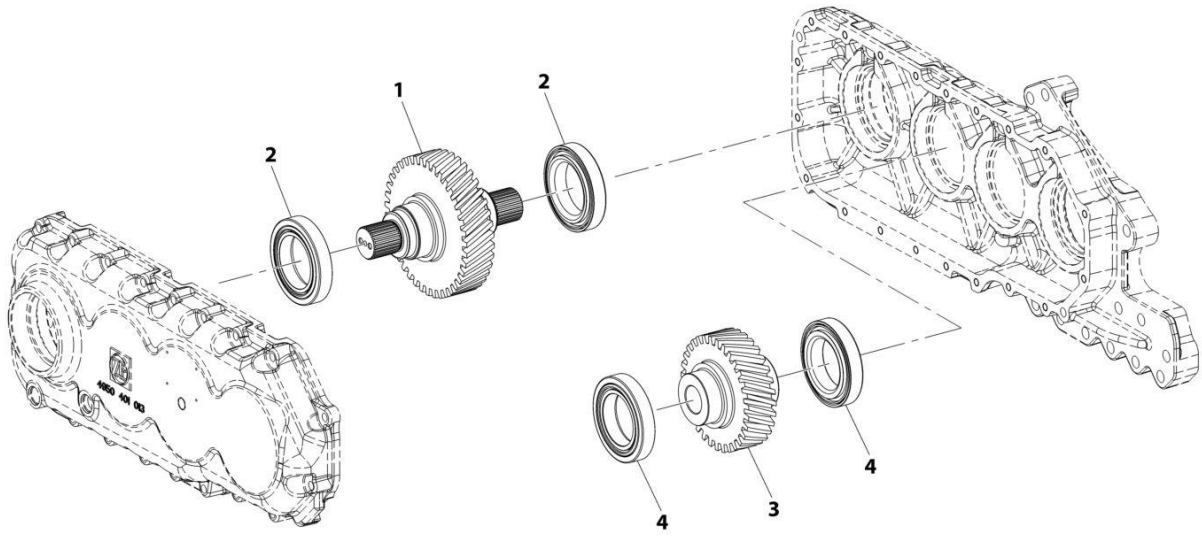
## SECTION 5 - DRIVE TRAIN

FIGURE 5-26. TRANSMISSION, TRANSFER BOX HOUSING INPUT

ITEM	PART NUMBER	QTY	DESCRIPTION	REV
1	7027269	1	Input Gear	
2	7027270	1	Idler Gear	
3	7026769	2	Bearing	
4	7026796	2	Taper Roller Bearing Assembly	

# SECTION 5 - DRIVE TRAIN

FIGURE 5-27. TRANSMISSION, TRANSFER BOX HOUSING OUTPUT 1



ART\_1001260171\_25-A

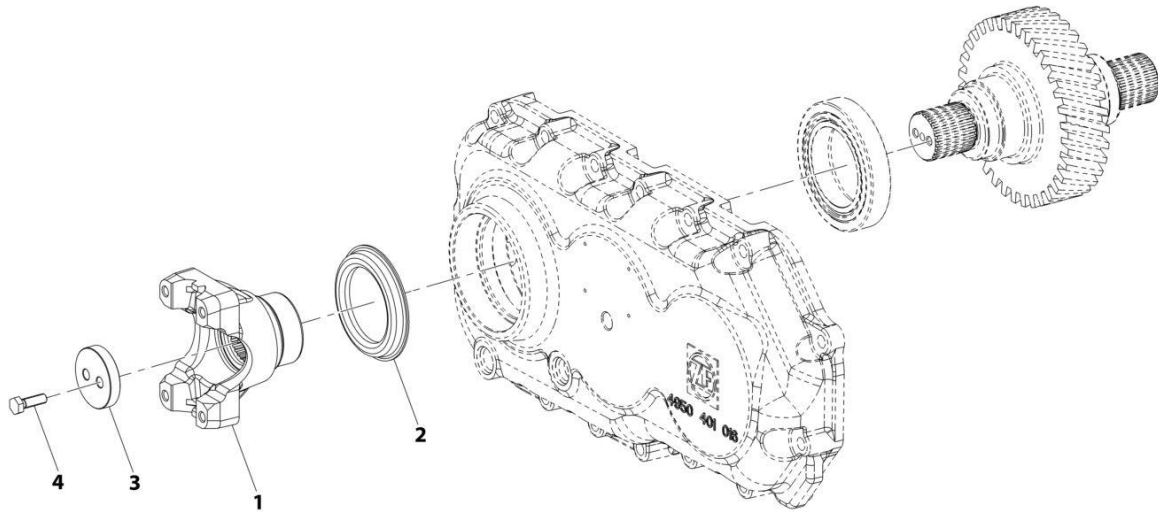
## SECTION 5 - DRIVE TRAIN

FIGURE 5-27. TRANSMISSION, TRANSFER BOX HOUSING OUTPUT 1

ITEM	PART NUMBER	QTY	DESCRIPTION	REV
1	7027271	1	Gear, Output	
2	7026769	2	Roller Bearing	
3	7027272	1	Gear, Idler	
4	1320748	2	Cup, Tapered Roller Bearing	
4	1320754	2	Cone, Tapered Roller Bearing	

# SECTION 5 - DRIVE TRAIN

FIGURE 5-28. TRANSMISSION, TRANSFER BOX HOUSING OUTPUT 2



ART\_1001260171\_26-A



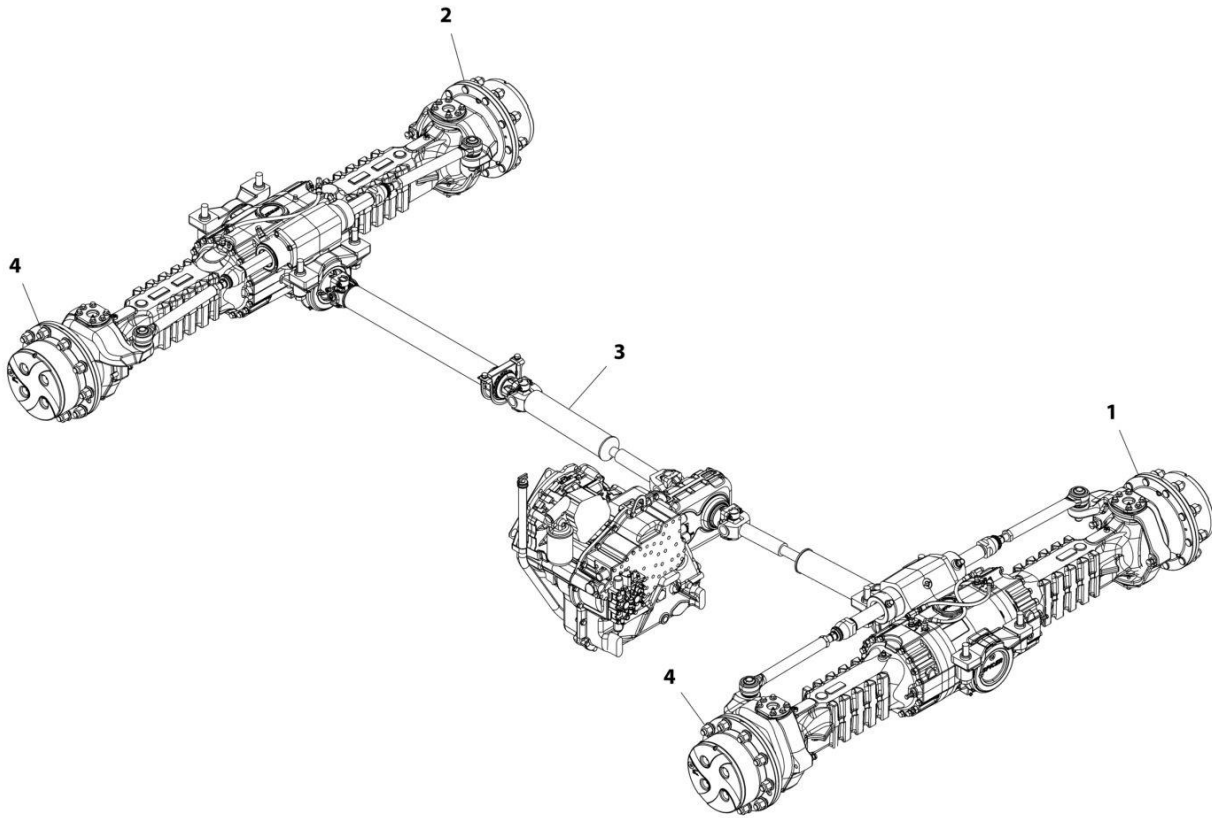
## SECTION 5 - DRIVE TRAIN

**FIGURE 5-28. TRANSMISSION, TRANSFER BOX HOUSING OUTPUT 2**

ITEM	PART NUMBER	QTY	DESCRIPTION	REV
1	7027273	2	Flange, Output (One Per Side)	
2	1319647	2	Sheet, Screen (One Per Side)	
3	1319648	2	Washer (One Per Side)	
4	10731959	4	Screw (Two Per Side)	

# SECTION 5 - DRIVE TRAIN

## FIGURE 5-29. DRIVE TRAIN INSTALLATION



ART\_1001170524-C

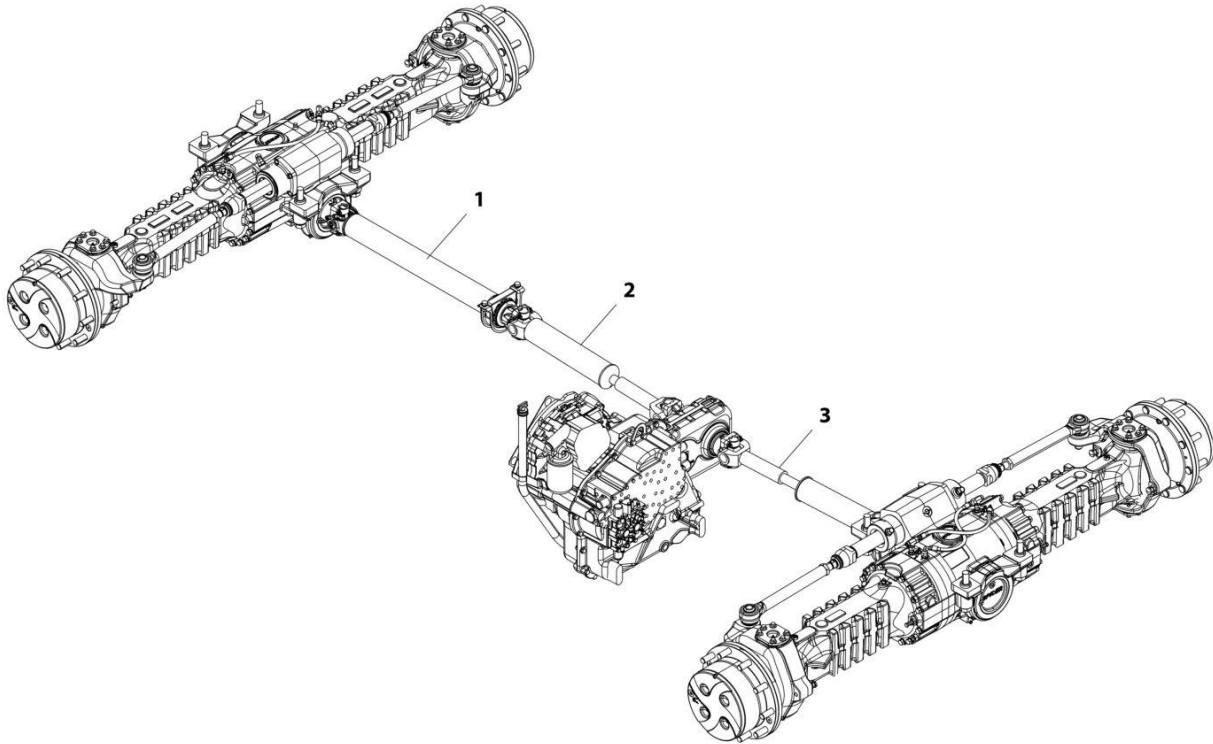
## SECTION 5 - DRIVE TRAIN

**FIGURE 5-29. DRIVE TRAIN INSTALLATION**

ITEM	PART NUMBER	QTY	DESCRIPTION	REV
	1001170524	Ref	Drive Train Installation	C
1	1001161418	Ref	Installation, Front Axle (See Separate Breakdown in this Section)	
2	1001161419	Ref	Installation, Rear Axle (See Separate Breakdown in this Section)	
3	1001169682	Ref	Installation, Drive Shafts (See Separate Breakdown in this Section)	
4	91403193	40	Lug Nut, M22X1.5	

# SECTION 5 - DRIVE TRAIN

## FIGURE 5-30. DRIVE SHAFTS INSTALLATION



ART\_1001169682-A

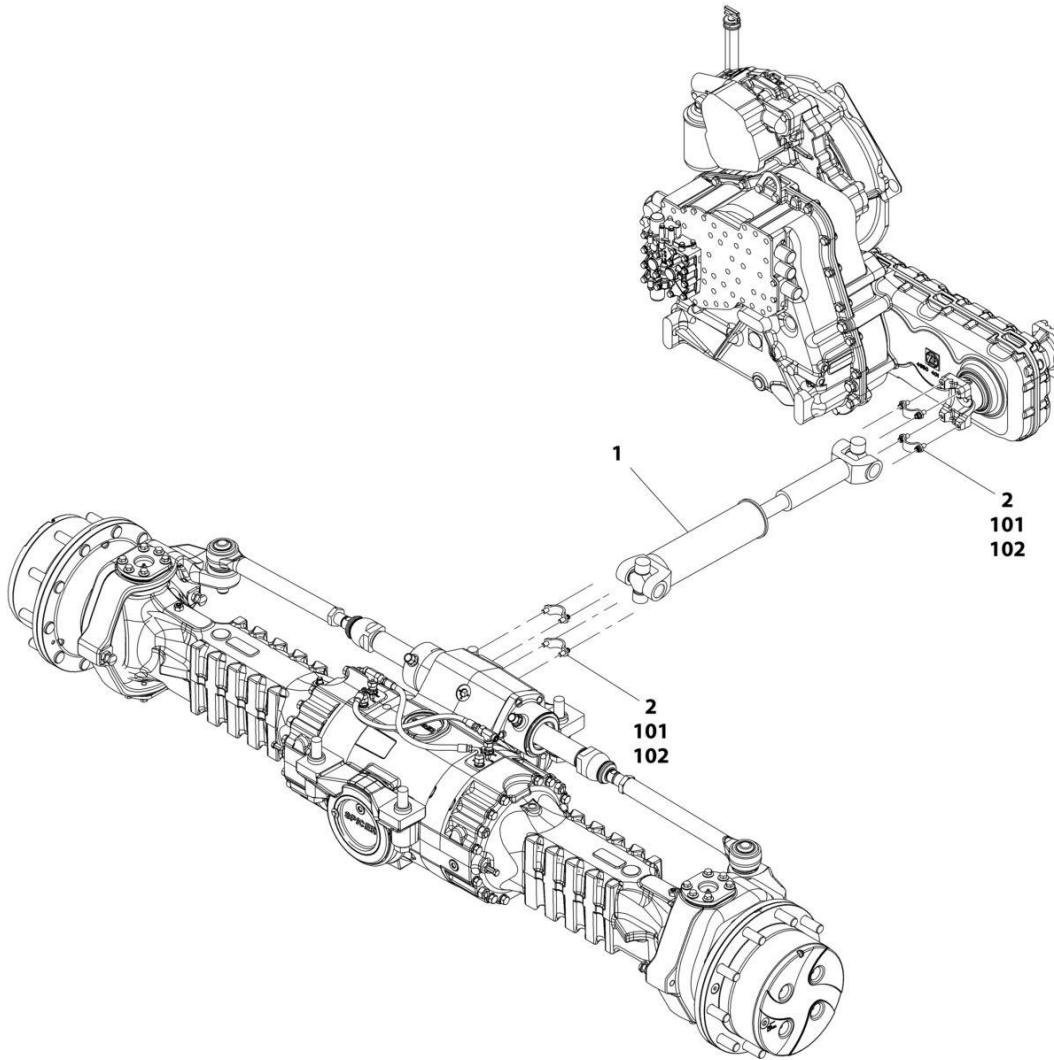
## SECTION 5 - DRIVE TRAIN

### FIGURE 5-30. DRIVE SHAFTS INSTALLATION

ITEM	PART NUMBER	QTY	DESCRIPTION	REV
1	1001169682	Ref	Drive Shafts Installation	A
	1001163987	Ref	Installation, Rear Drive Shaft (See Separate Breakdown in this Section)	
2	1001170509	Ref	Installation, Front Mid Shaft (See Separate Breakdown in this Section)	
3	1001170530	Ref	Installation, Front Drive Shaft (See Separate Breakdown in this Section)	

# SECTION 5 - DRIVE TRAIN

## FIGURE 5-31. FRONT DRIVE SHAFT INSTALLATION



ART\_1001170530-B

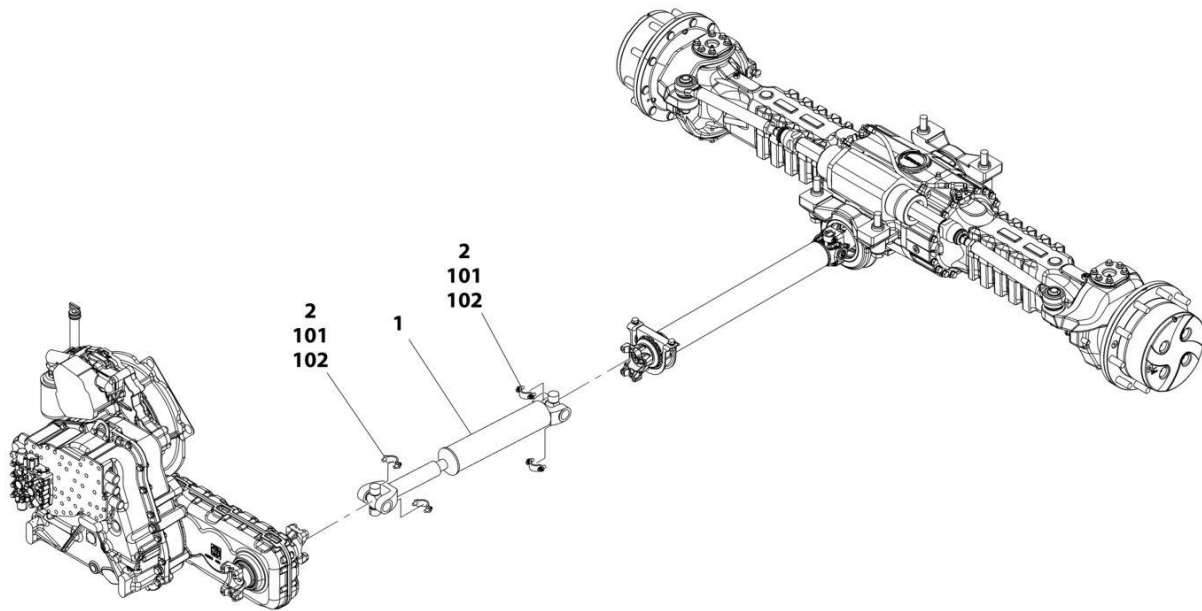
## SECTION 5 - DRIVE TRAIN

### FIGURE 5-31. FRONT DRIVE SHAFT INSTALLATION

ITEM	PART NUMBER	QTY	DESCRIPTION	REV
	1001170530	Ref	Front Drive Shaft Installation	B
1	7150580	1	Shaft, Rear Drive (See Separate Breakdown in this Section)	
2	8880218-OM	1	Kit, Strap (includes items 101 & 102)	
101	N.S.S.	1	Strap	
102	N.S.S.	1	Bolt, Strap 0.375-24X0.75	

# SECTION 5 - DRIVE TRAIN

## FIGURE 5-32. FRONT MID SHAFT INSTALLATION



ART\_1001170509-B



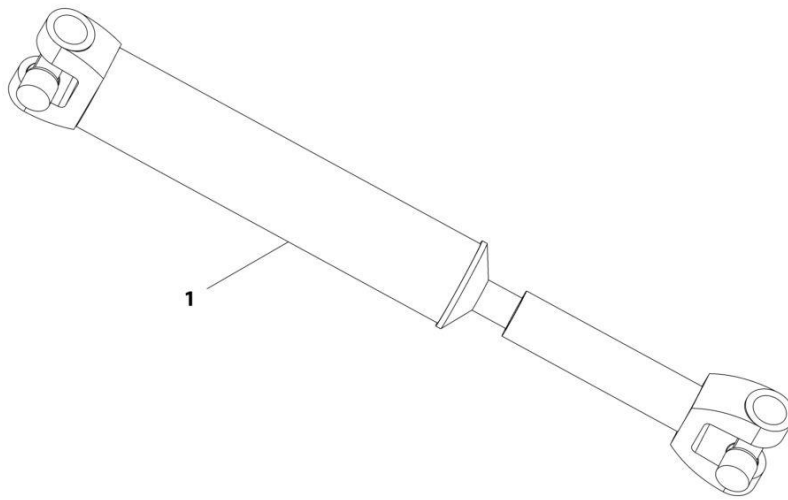
## SECTION 5 - DRIVE TRAIN

### FIGURE 5-32. FRONT MID SHAFT INSTALLATION

ITEM	PART NUMBER	QTY	DESCRIPTION	REV
	1001170509	Ref	Front Mid Drive Shaft Installation	B
1	1001170615	1	Shaft, Driveshaft Mid (See Separate Breakdown in this Section)	
2	8880218-OM	2	Kit, Strap (includes items 101 & 102)	
101	N.S.S.	1	Strap	
102	N.S.S.	1	Bolt, Strap 0.375-24X0.75	

# SECTION 5 - DRIVE TRAIN

## FIGURE 5-33. FRONT MID DRIVE SHAFT



ART\_1001170615-B

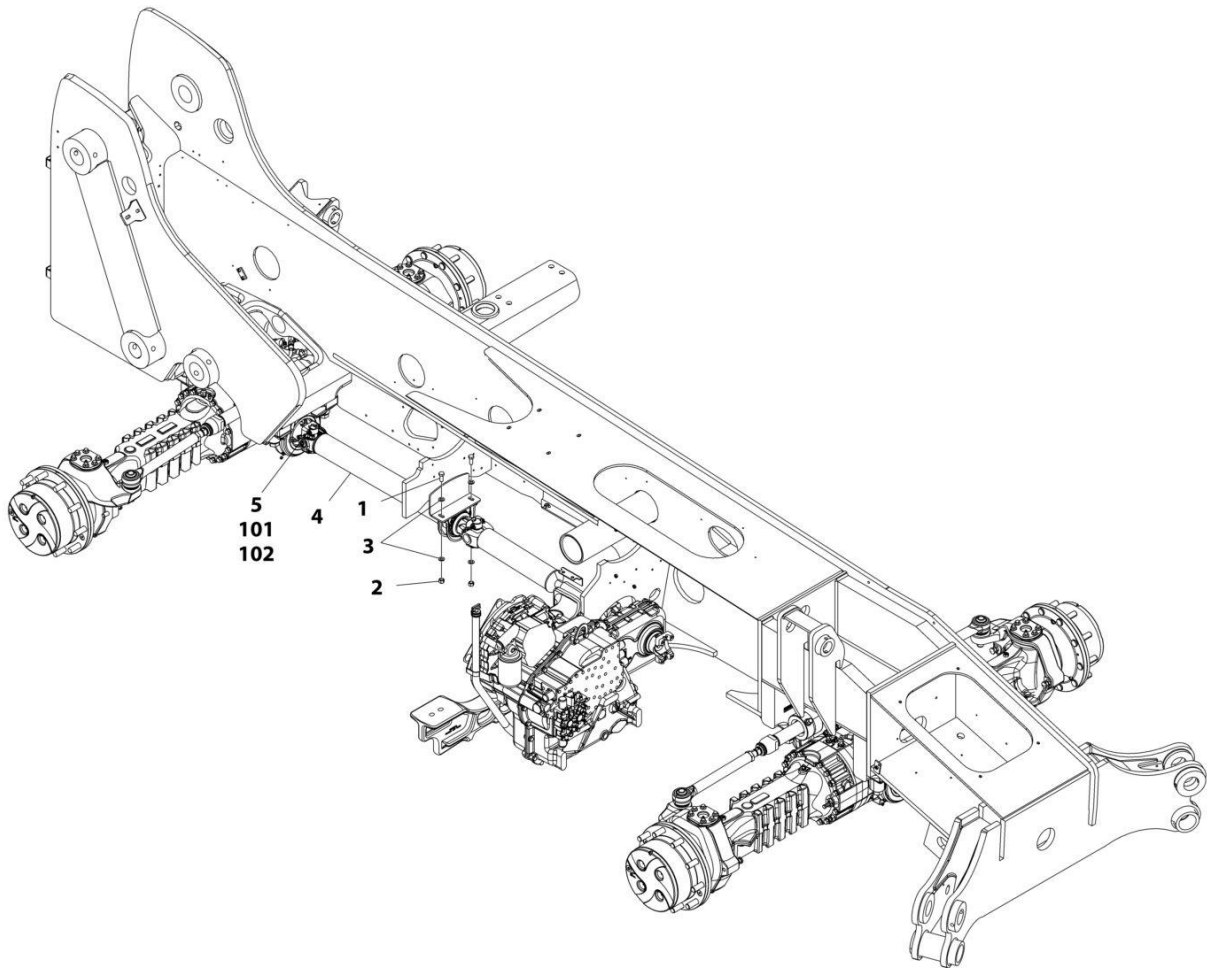
## SECTION 5 - DRIVE TRAIN

### FIGURE 5-33. FRONT MID DRIVE SHAFT

ITEM	PART NUMBER	QTY	DESCRIPTION	REV
1	1001170615	1	Front Mid Drive Shaft	B
	91474035	2	Kit, Universal Joint	

# SECTION 5 - DRIVE TRAIN

## FIGURE 5-34. REAR DRIVE SHAFT INSTALLATION



ART\_1001163987-C

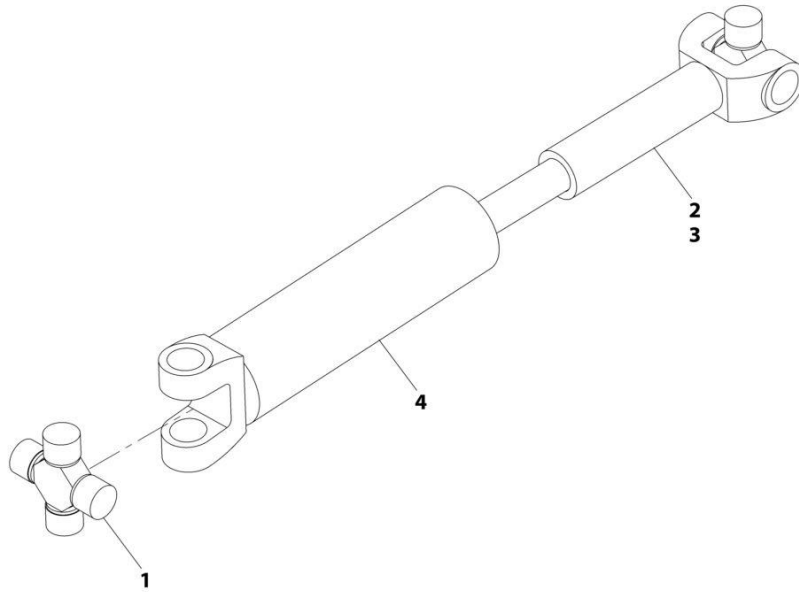
## SECTION 5 - DRIVE TRAIN

### FIGURE 5-34. REAR DRIVE SHAFT INSTALLATION

ITEM	PART NUMBER	QTY	DESCRIPTION	REV
	1001163987	Ref	Rear Drive Shaft Installation	C
1	0761214	2	Bolt, 12 X 30, GR8.8	
2	3291205	2	Nut, Lock M12 X 1.75	
3	4812100	4	Washer, 12	
4	1001163765	1	Shaft, Rear Drive (See Separate Breakdown in this Section)	
5	8880218-OM	1	Kit, Strap (includes items 101 & 102)	
101	N.S.S.	1	Strap	
102	N.S.S.	1	Bolt, Strap 0.375-24X0.75	

# SECTION 5 - DRIVE TRAIN

## FIGURE 5-35. REAR DRIVE SHAFT ASSEMBLY



ART\_7150580-D

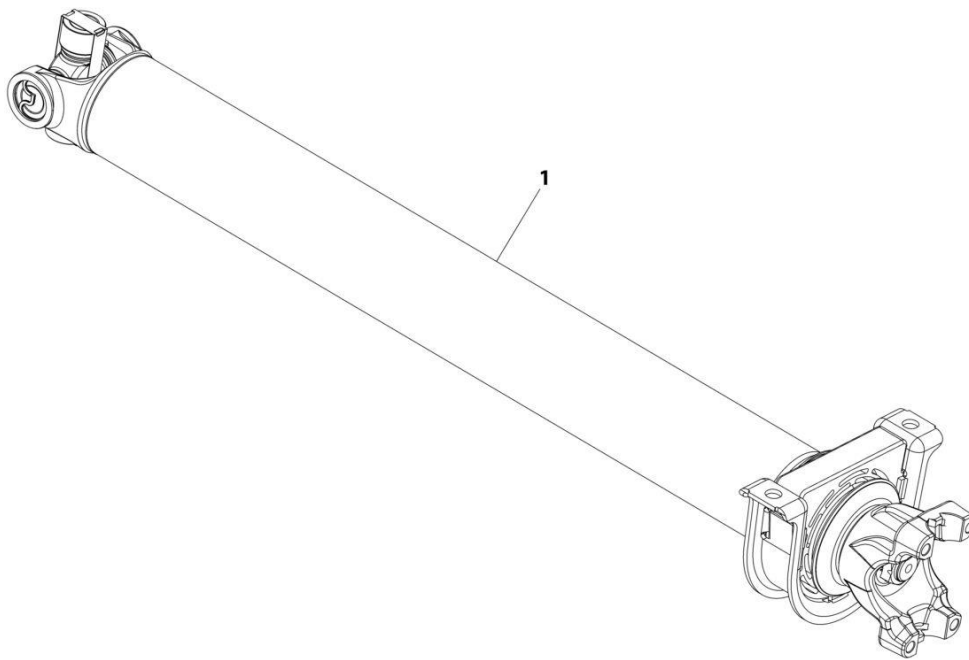
## SECTION 5 - DRIVE TRAIN

### FIGURE 5-35. REAR DRIVE SHAFT ASSEMBLY

ITEM	PART NUMBER	QTY	DESCRIPTION	REV
	7150580	Ref	Front Drive Shaft Assembly	D
1	8036433	4	Kit, Cross and Bearing	
2	8035779	2	Kit, Dust Cap	
3	N.S.S.	1	Joint, Slip	
4	N.S.S.	1	Shaft, Yoke	

# SECTION 5 - DRIVE TRAIN

## FIGURE 5-36. REAR DRIVE SHAFT



ART\_1001163765-B



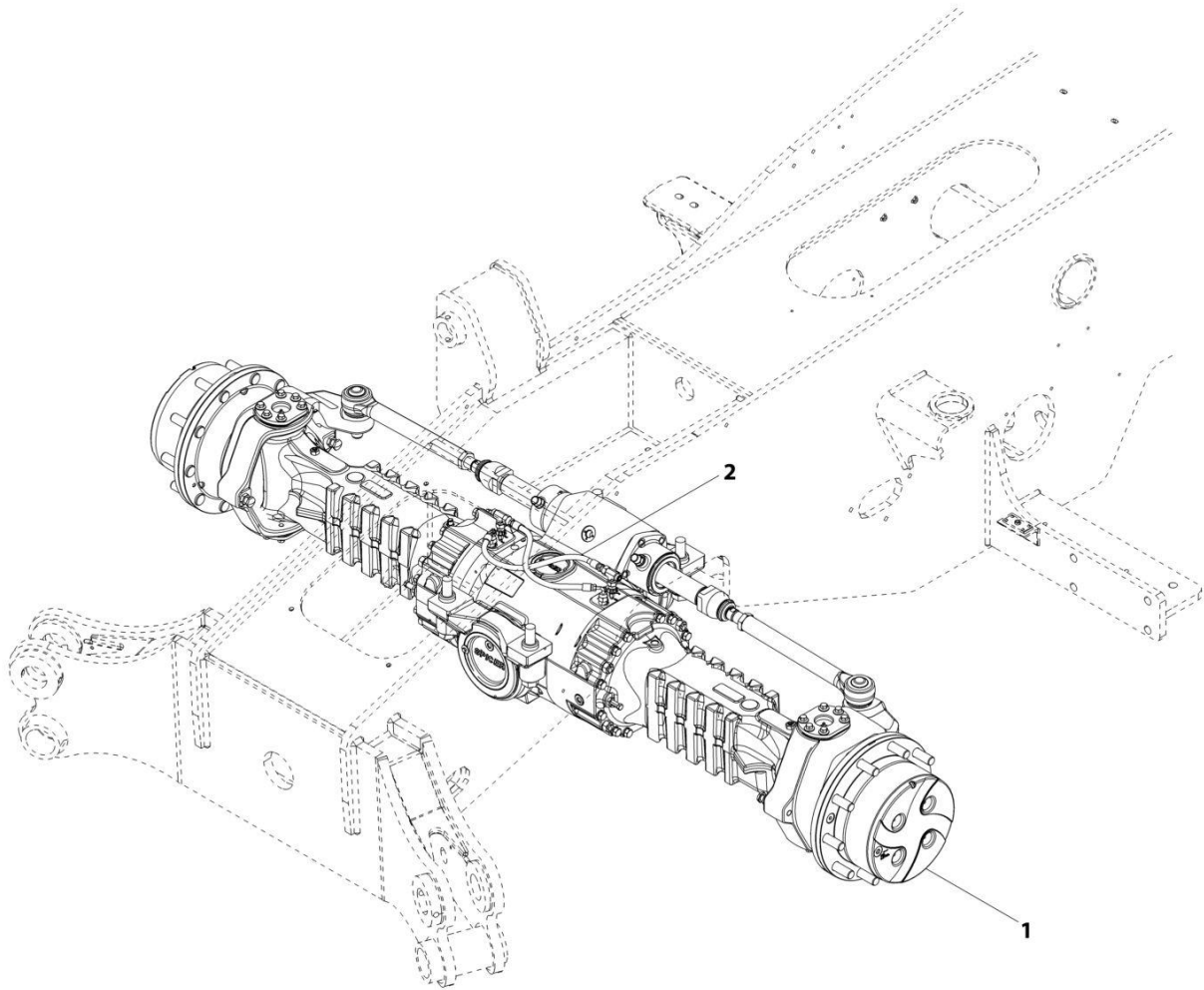
## SECTION 5 - DRIVE TRAIN

### FIGURE 5-36. REAR DRIVE SHAFT

ITEM	PART NUMBER	QTY	DESCRIPTION	REV
1	1001163765 91474035	Ref 1	Rear Drive Shaft Kit, Universal Joint	B

# SECTION 5 - DRIVE TRAIN

## FIGURE 5-37. FRONT AXLE INSTALLATION



ART\_1001161418-B

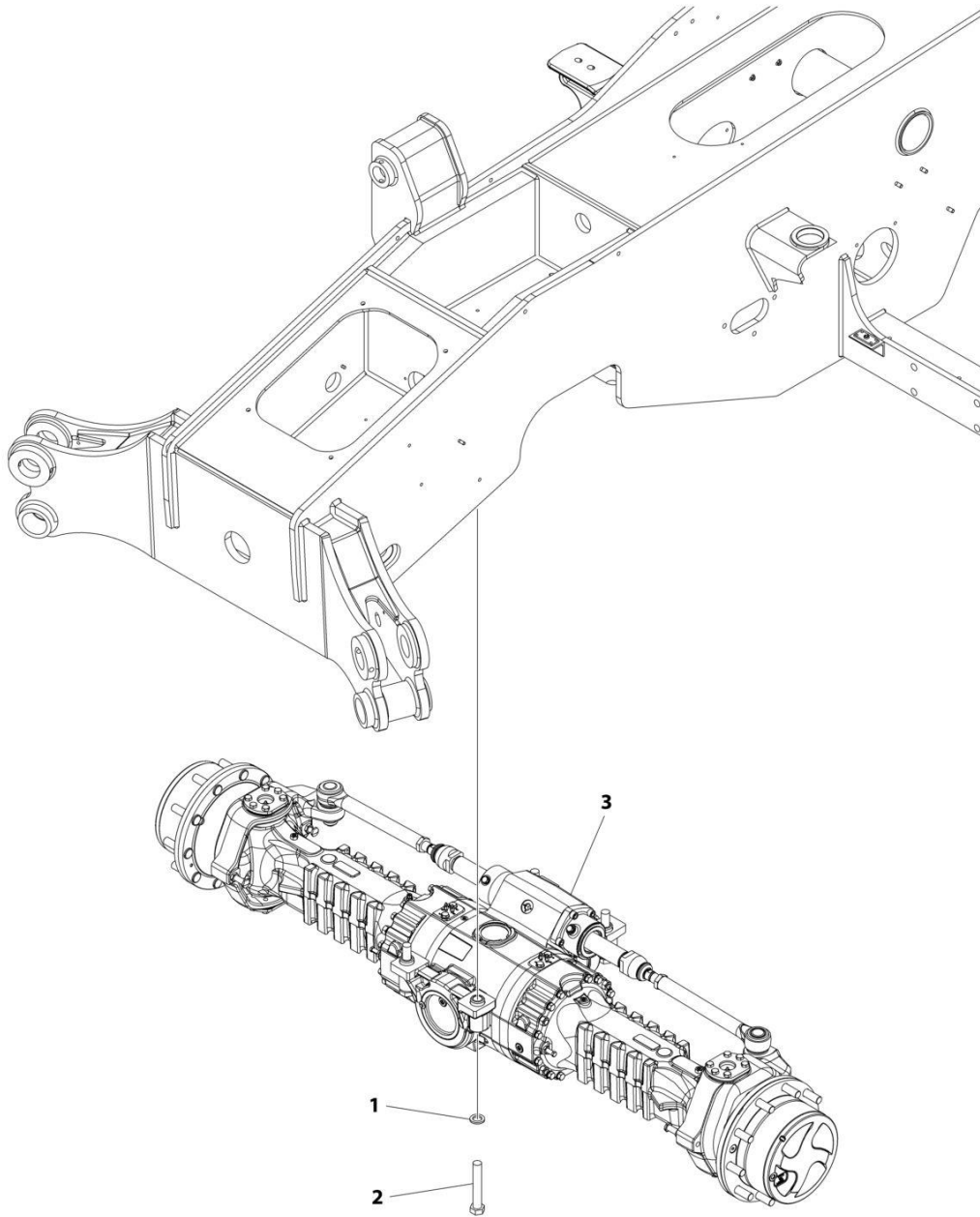
## SECTION 5 - DRIVE TRAIN

**FIGURE 5-37. FRONT AXLE INSTALLATION**

ITEM	PART NUMBER	QTY	DESCRIPTION	REV
1	1001161418	Ref	Front Axle Installation	B
	1001161420	Ref	Installation, Front Axle Mounting (See Separate Breakdown in this Section)	
2	1001161421	Ref	Installation, Front Axle Hydraulic Lines (See Separate Breakdown in HYDRAULIC CIRCUITS Section)	

# SECTION 5 - DRIVE TRAIN

## FIGURE 5-38. FRONT AXLE MOUNTING INSTALLATION



ART\_1001161420

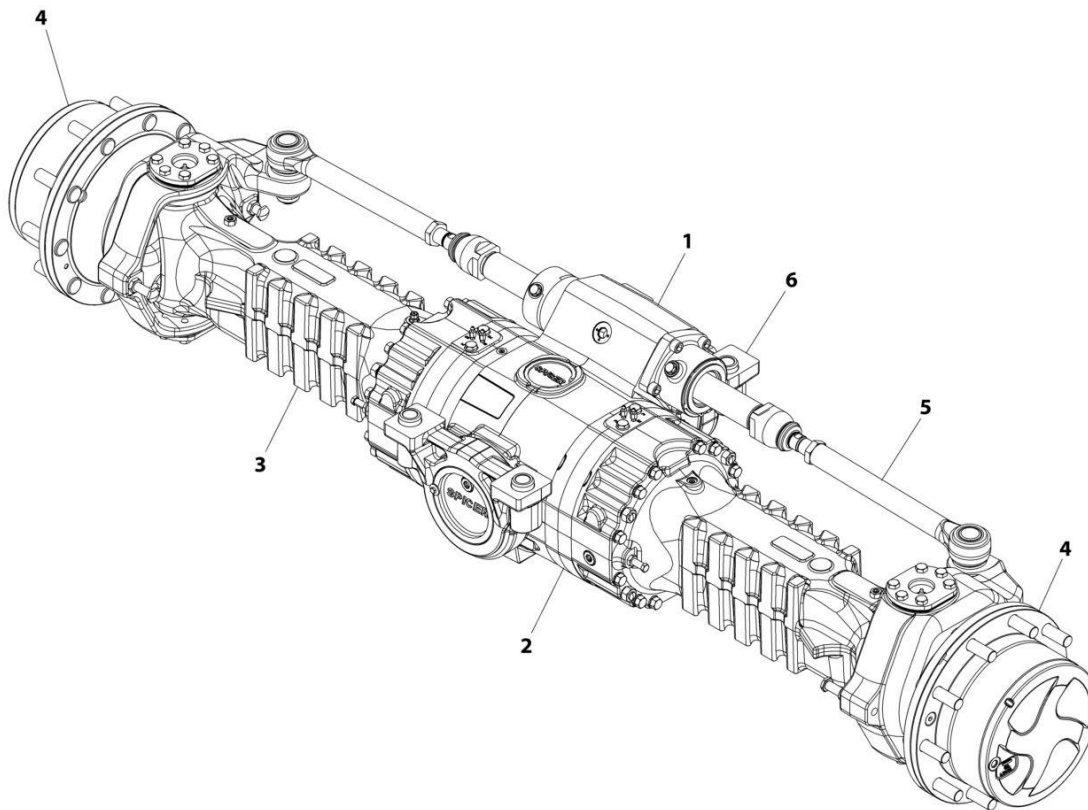
## SECTION 5 - DRIVE TRAIN

### FIGURE 5-38. FRONT AXLE MOUNTING INSTALLATION

ITEM	PART NUMBER	QTY	DESCRIPTION	REV
	1001161420	Ref	FRONT AXLE INSTALLATION	C
1	4892600	4	Washer 1	
2	1001097587	4	Bolt M24 x 150	
3	1001160802	1	Axle, Front (See Separate Breakdown in this Section)	

# SECTION 5 - DRIVE TRAIN

## FIGURE 5-39. FRONT AXLE



ART\_1001160802

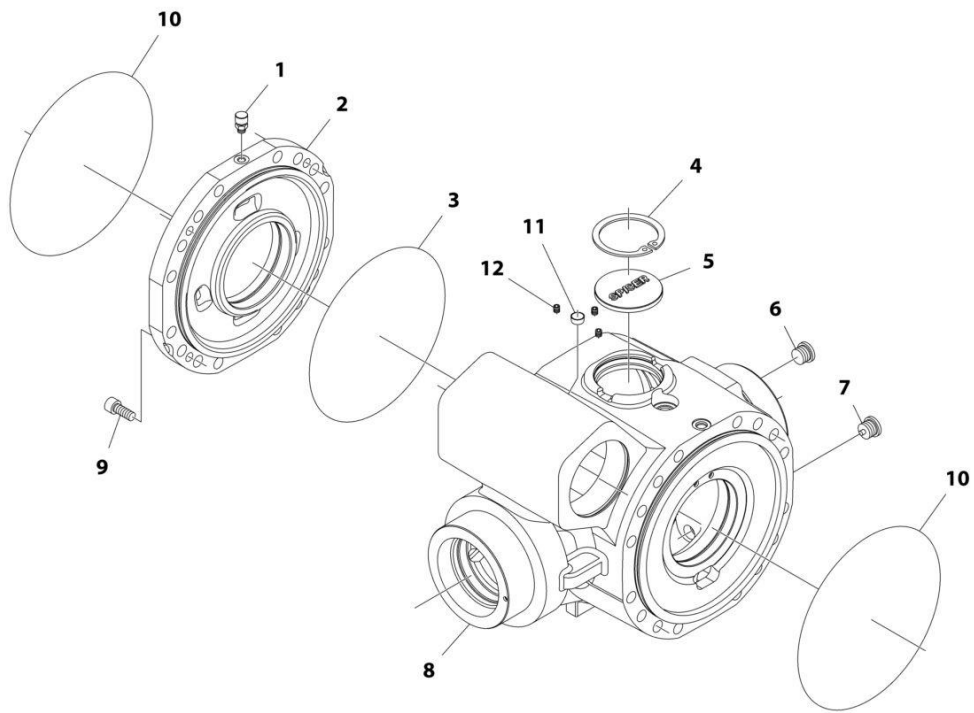
## SECTION 5 - DRIVE TRAIN

### FIGURE 5-39. FRONT AXLE

ITEM	PART NUMBER	QTY	DESCRIPTION	REV
	1001160802	Ref	FRONT AXLE	G
1		Ref	Front Axle, Central Housing (See Separate Breakdown in this Section)	
2		Ref	Front Axle, Differential (See Separate Breakdown in this Section)	
3		Ref	Front Axle, Hub Reduction (See Separate Breakdown in this Section)	
4		Ref	Front Axle, Brakes (See Separate Breakdown in this Section)	
5		Ref	Front Axle, Steering (See Separate Breakdown in this Section)	
6		Ref	Front Axle, Trunion (See Separate Breakdown in this Section)	

# SECTION 5 - DRIVE TRAIN

## FIGURE 5-40. FRONT AXLE, CENTRAL HOUSING



ART\_1001160802\_1



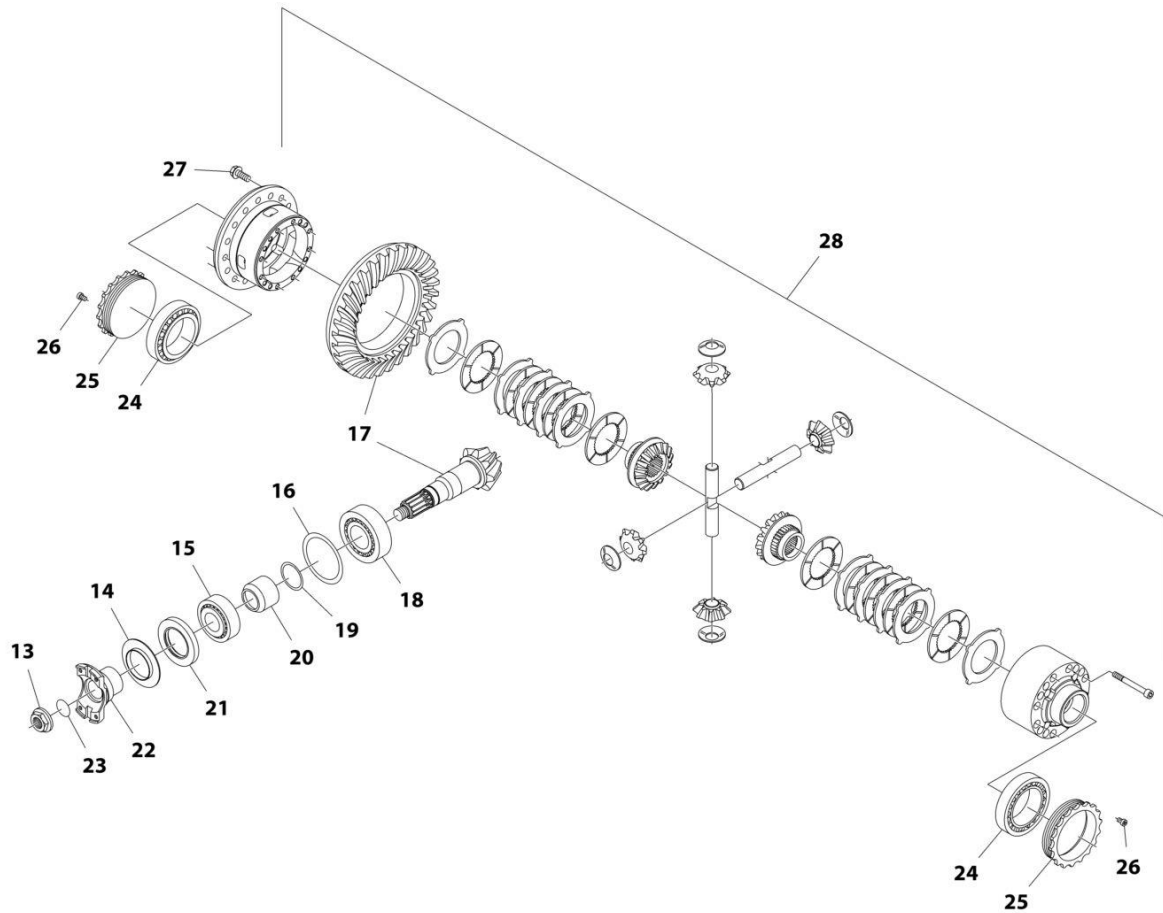
## SECTION 5 - DRIVE TRAIN

### FIGURE 5-40. FRONT AXLE, CENTRAL HOUSING

ITEM	PART NUMBER	QTY	DESCRIPTION	REV
1	91474512	1	Vent	
2	7029288	1	Cover, Intermediate	
3	80204002	1	O-Ring	
4	80204005	1	Circlip	
5	91514098	1	Plug	
6	91514087	1	Plug	
7	70021177	1	Plug	
8	70025335	1	Housing	
9	91514101	4	Bolt	
10	91514089	2	O-Ring	
11	7029307	1	Plug	
12	8008175	3	Bolt	

# SECTION 5 - DRIVE TRAIN

## FIGURE 5-41. FRONT AXLE, DIFFERENTIAL



ART\_1001160802\_2

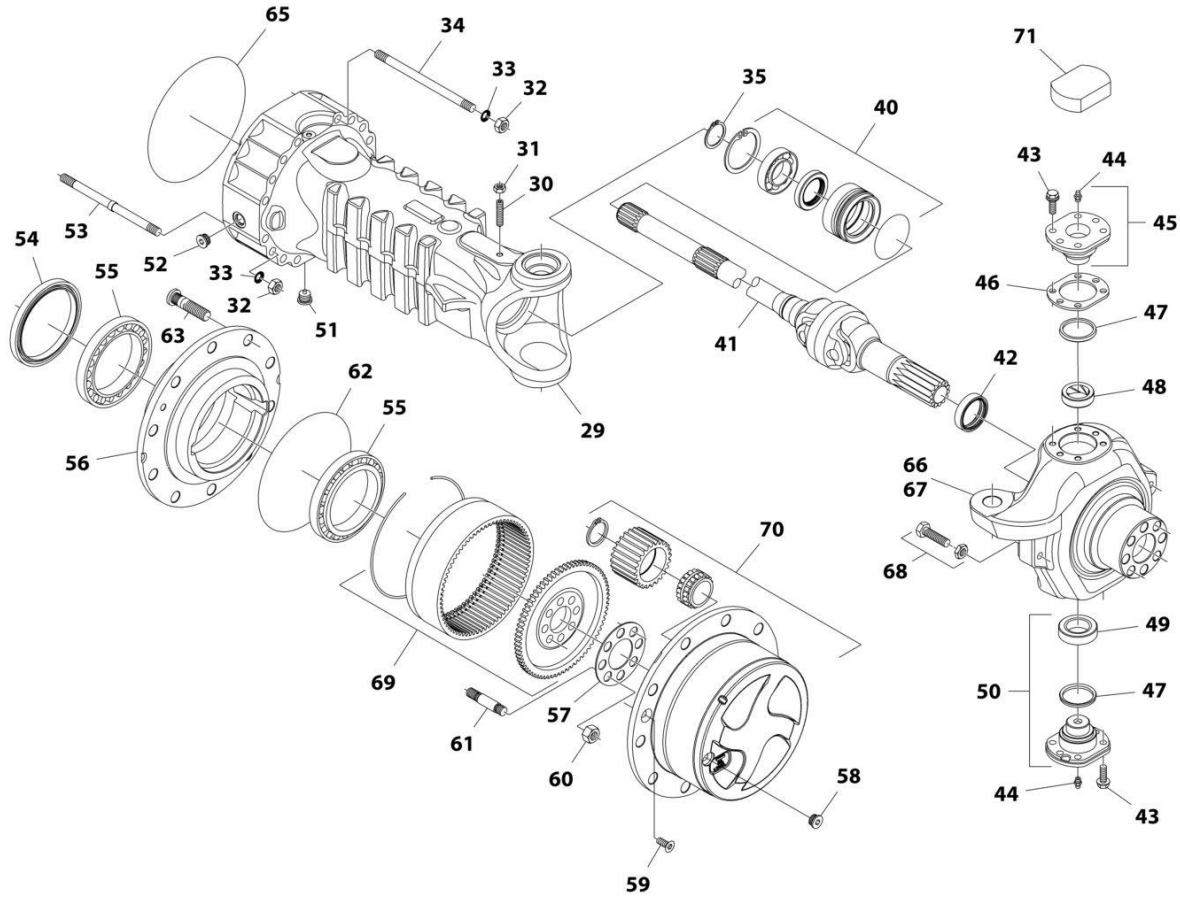
## SECTION 5 - DRIVE TRAIN

### FIGURE 5-41. FRONT AXLE, DIFFERENTIAL

ITEM	PART NUMBER	QTY	DESCRIPTION	REV
13	80204043	1	Nut	
14	91514130	1	Cover Plate	
15	80204048	1	Taper Roller Bearing	
16	70023469	1	Shim	
17	70026255	1	Bevel Gear Set	
18	80204035	1	Taper Roller Bearing	
19	70023494	1	Ring	
20	70022140	1	Spacer	
21	70025887	1	Seal	
22	91514131	1	Flange	
23	10725554	1	O-Ring	
24	80204033	2	Bearing, Taper Roller	
25	91514133	2	Ring Nut	
26	91514134	2	Bolt	
27	91514123	16	Bolt	
28	70024005	1	Kit, Differential (See Separate Breakdown in this Section)	

# SECTION 5 - DRIVE TRAIN

## FIGURE 5-42. FRONT AXLE, HUB REDUCTION



ART\_1001160802\_3

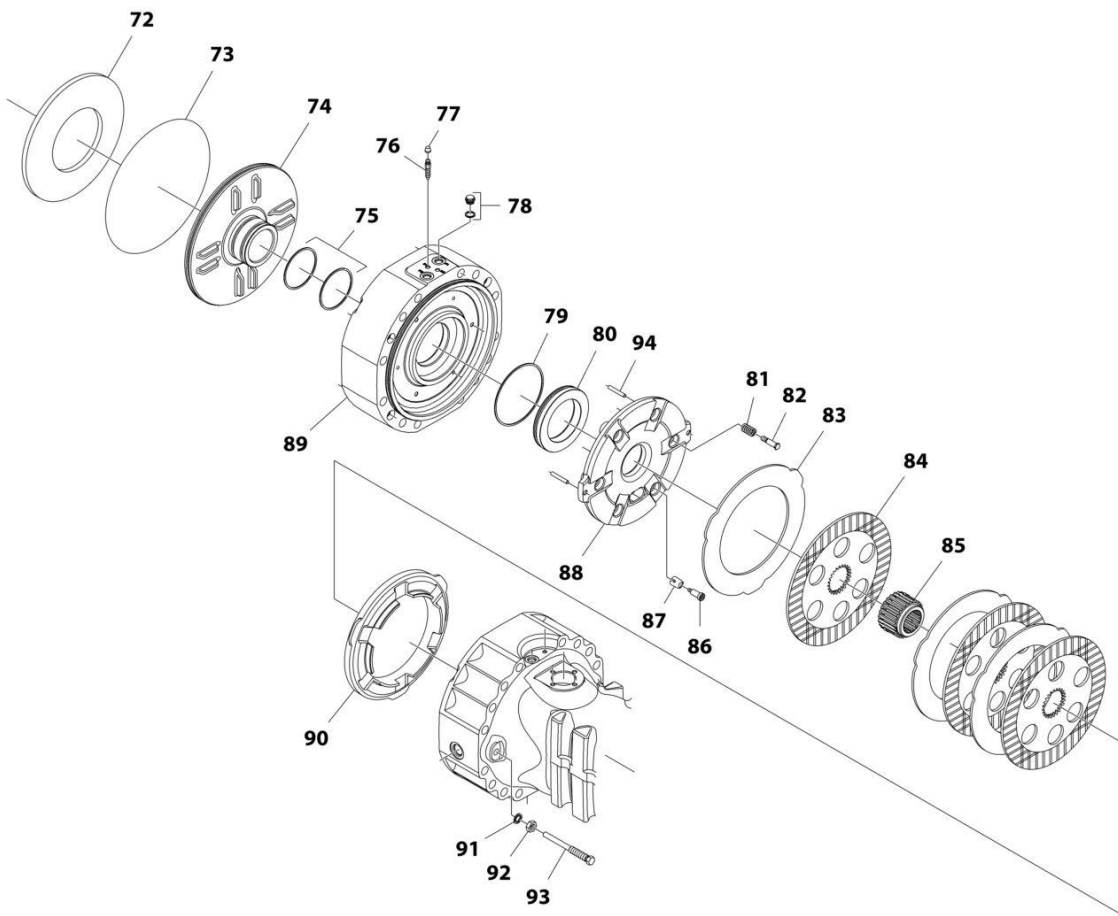
## SECTION 5 - DRIVE TRAIN

**FIGURE 5-42. FRONT AXLE, HUB REDUCTION**

ITEM	PART NUMBER	QTY	DESCRIPTION	REV
29	70026256	2	Case, Axle	
30	91514081	2	Bolt	
31	91514082	2	Nut	
32	91514083	8	Nut	
33	91514084	8	Washer	
34	7029309	24	Bolt	
35	80204071	2	Circlip	
40	91514149	2	Bushing, Reduction (See Separate Breakdown in this Section)	
41	70026066	2	Joint, Double Universal	
42	70026238	2	Seal	
43	91514123	24	Bolt	
44	91514099	4	Fitting, Grease	
45	91514112	2	Pin, Pivot	
46	70025561	1	Shim	
47	7028716	4	Seal, Dust	
48	7028714	2	Bushing	
49	91514095	2	Bearing	
50	7028715	2	Pivot Pin	
51	70021177	2	Plug	
52	91514087	2	Plug	
53	70024851	8	Stud	
54	70026002	2	Seal	
55	80204076	4	Bearing, Taper Roller	
56	91514174	2	Hub, Wheel	
57	91514178	2	Plate, Locking	
58	91514188	2	Plug	
59	91514189	4	Bolt	
60	91514179	16	Nut	
61	91514180	16	Stud	
62	91514181	2	O-Ring	
63	91514183	20	Stud, Wheel	
65	91514089	2	O-Ring	
66	70026260	1	Case, Steering (LF, RR) (See Separate Breakdown in this Section)	
67	70026261	1	Case, Steering (RF, LR) (See Separate Breakdown in this Section)	
68	7028733	4	Kit, Steering Adjust Bolt (See Separate Breakdown in this Section)	
69	70024146	2	Kit, Ring Gear Support (See Separate Breakdown in this Section)	
70	7029743	2	Kit, Planet Carrier (See Separate Breakdown in this Section)	
71	91474524	2	Cover	

# SECTION 5 - DRIVE TRAIN

## FIGURE 5-43. FRONT AXLE, BRAKES



ART\_1001160802\_4

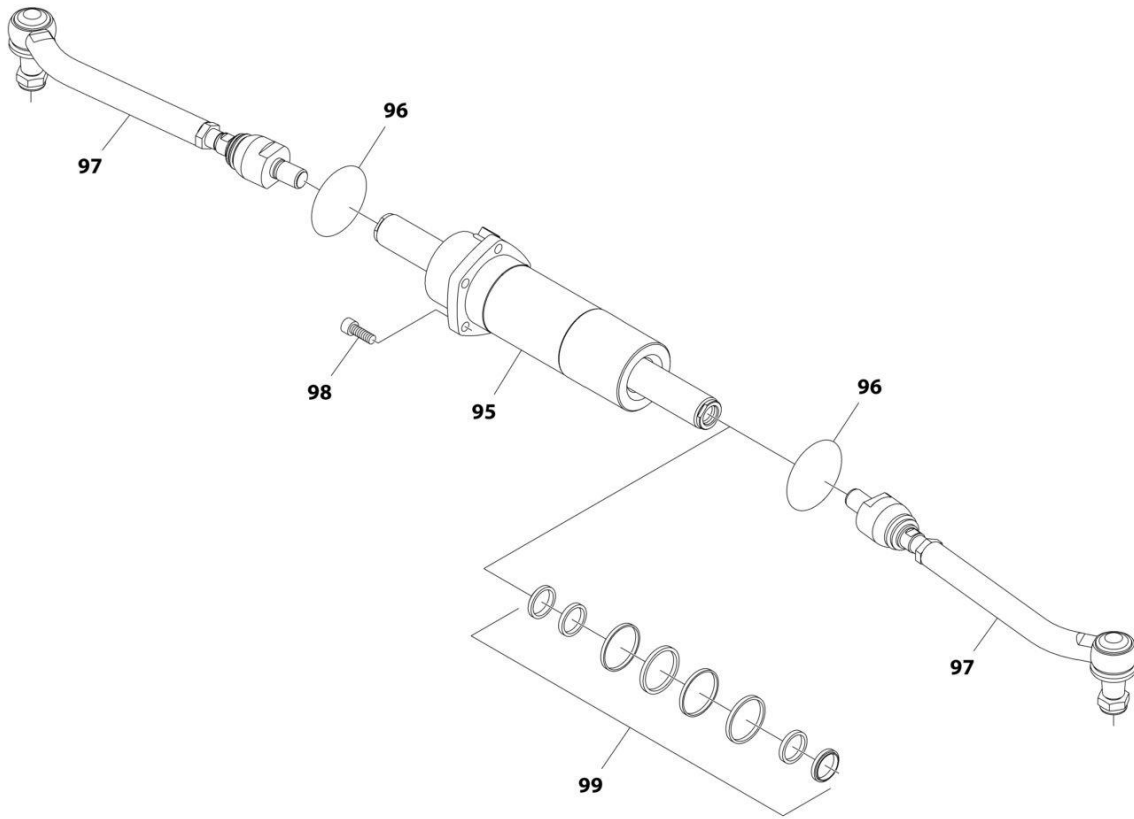
## SECTION 5 - DRIVE TRAIN

### FIGURE 5-43. FRONT AXLE, BRAKES

ITEM	PART NUMBER	QTY	DESCRIPTION	REV
72	91514151	2	Washer	
73	91514089	2	O-Ring	
74	91514152	2	Piston	
75	70026262	4	Seal	
76	80204281	4	Bolt, Bleeding	
77	80204117	4	Plug	
78	91514154	2	Plug	
79	70026263	2	Seal	
80	91514158	2	Piston	
81	91514159	6	Spring	
82	70024210	6	Bolt, Adjusting	
83	91514161	6	Disc, Intermediate Brake	
84	7029735	6	Disc, Brake	
85	7029734	2	Bushing, Reduction	
86	7029789	6	Bolt	
87	91514165	6	Spring	
88	70024849	2	Disc, Intermediate Brake	
89	70024848	2	Cover	
90	70026264	2	Spacer	
91	80204108	4	Washer, Lock	
92	80204060	4	Nut	
93	70024213	4	Bolt, M12X122.5	
94	70024215	4	Dowel	

# SECTION 5 - DRIVE TRAIN

## FIGURE 5-44. FRONT AXLE, STEERING



ART\_1001160802\_5



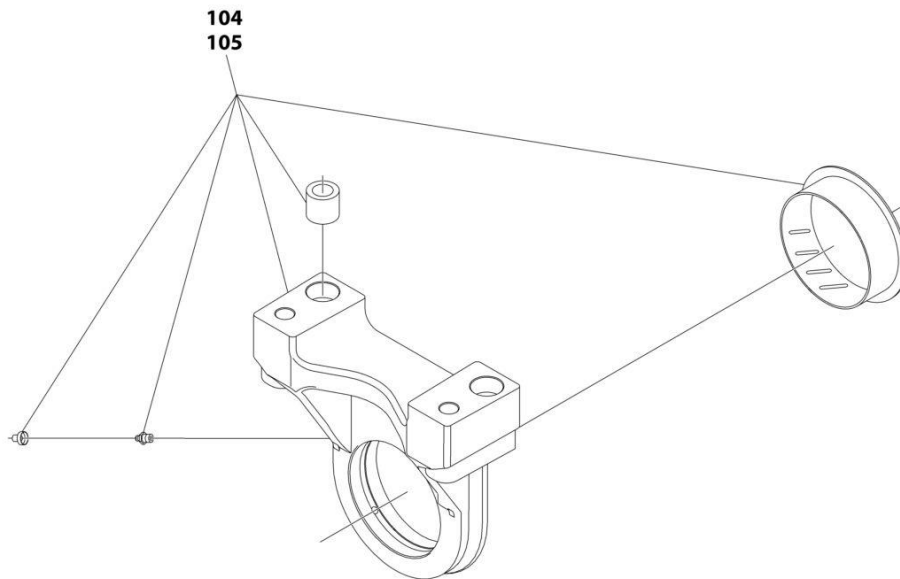
## SECTION 5 - DRIVE TRAIN

### FIGURE 5-44. FRONT AXLE, STEERING

ITEM	PART NUMBER	QTY	DESCRIPTION	REV
95	7026490	1	Cylinder	
96	80204143	2	O-Ring	
97	70021614	2	Rod, Articulated Tie	
98	80204144	5	Bolt	
99	7029127	1	Seal	

# SECTION 5 - DRIVE TRAIN

## FIGURE 5-45. FRONT AXLE, TRUNION



ART\_1001160802\_6

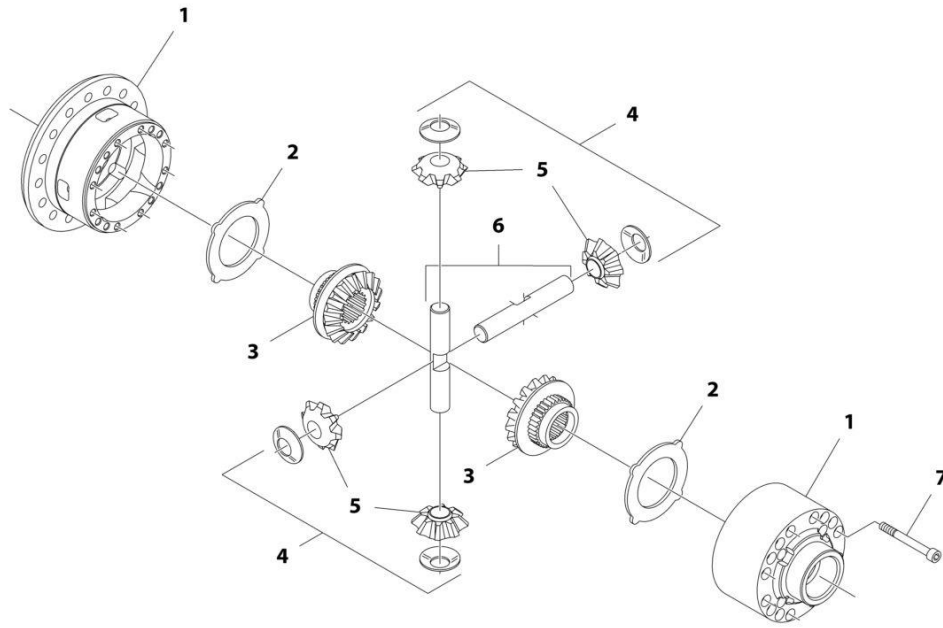
## SECTION 5 - DRIVE TRAIN

**FIGURE 5-45. FRONT AXLE, TRUNION**

ITEM	PART NUMBER	QTY	DESCRIPTION	REV
104	70026265	1	Support (LF, RR) (See Separate Breakdown in this Section)	
105	70026266	1	Support, (RF, LR) (See Separate Breakdown in this Section)	

# SECTION 5 - DRIVE TRAIN

## FIGURE 5-46. FRONT AXLE, DIFFERENTIAL KIT



ART\_1001160802\_7

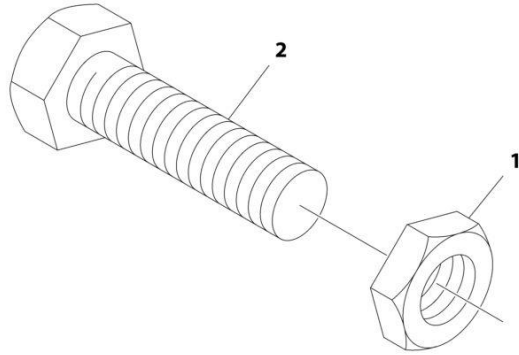
## SECTION 5 - DRIVE TRAIN

**FIGURE 5-46. FRONT AXLE, DIFFERENTIAL KIT**

ITEM	PART NUMBER	QTY	DESCRIPTION	REV
	70024005	Ref	FRONT AXLE, DIFFERENTIAL KIT	
1	70024004	1	Carrier, Differential	
2	70023496	2	Disc, Clutch	
3	70025856	2	Gear, Differential Side	
4	70023491	4	Washer	
5	70025339	4	Pinion, Differential	
6	70023490	2	Shaft, Differential	
7	91514143	15	Bolt	

## SECTION 5 - DRIVE TRAIN

FIGURE 5-47. FRONT AXLE, STEERING ADJUSTING BOLT KIT



ART\_1001160802\_9

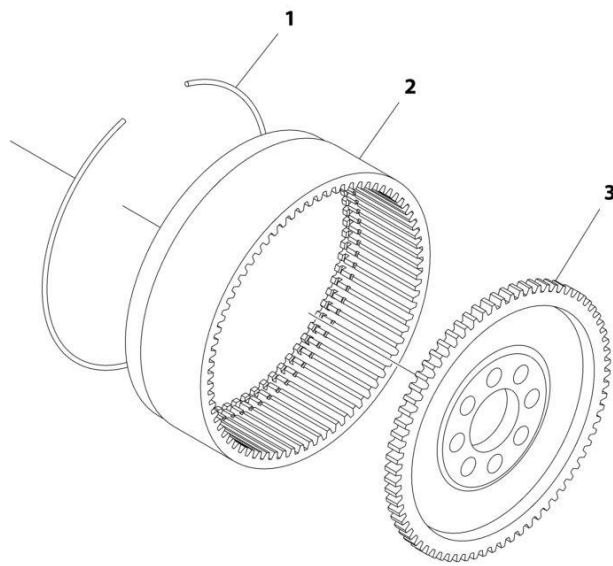
## SECTION 5 - DRIVE TRAIN

FIGURE 5-47. FRONT AXLE, STEERING ADJUSTING BOLT KIT

ITEM	PART NUMBER	QTY	DESCRIPTION	REV
	7028733	Ref	FRONT AXLE, STEERING ADJUSTING BOLT KIT	
1	80204065	1	Nut	
2	91514117	1	Bolt	

# SECTION 5 - DRIVE TRAIN

## FIGURE 5-48. FRONT AXLE, RING GEAR SUPPORT KIT



ART\_1001160802\_10



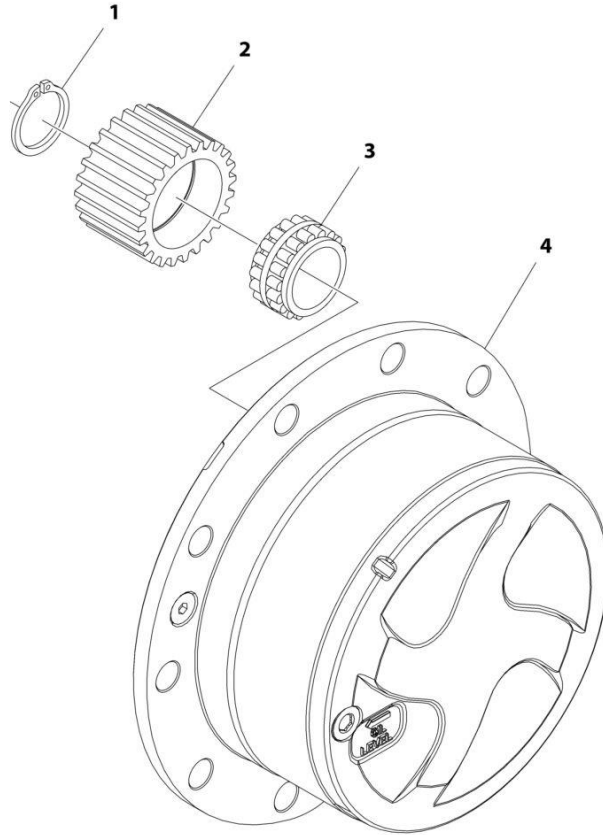
## SECTION 5 - DRIVE TRAIN

**FIGURE 5-48. FRONT AXLE, RING GEAR SUPPORT KIT**

ITEM	PART NUMBER	QTY	DESCRIPTION	REV
	70024146	1	FRONT AXLE, RING GEAR SUPPORT KIT	
1	91514175	1	Circlip	
2	70024147	1	Gear, Ring	
3	91514177	1	Support, Ring Gear	

# SECTION 5 - DRIVE TRAIN

FIGURE 5-49. FRONT AXLE, PLANET GEAR CARRIER KIT



ART\_1001160802\_11

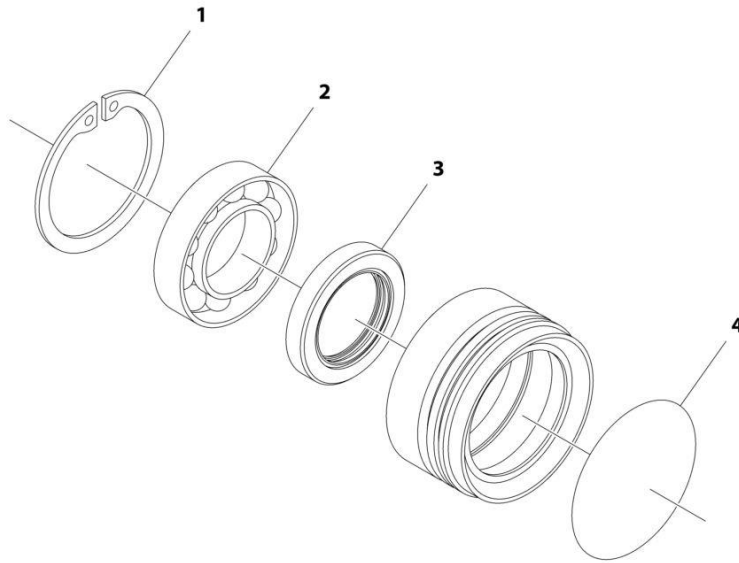
## SECTION 5 - DRIVE TRAIN

**FIGURE 5-49. FRONT AXLE, PLANET GEAR CARRIER KIT**

ITEM	PART NUMBER	QTY	DESCRIPTION	REV
	7029743	Ref	FRONT AXLE, PLANET GEAR CARRIER KIT	
1	91514184	4	Circlip	
2	91514185	4	Gear, Planet	
3	91514186	4	Bearing	
4	7029317	1	Carrier, Planet Gear	

# SECTION 5 - DRIVE TRAIN

FIGURE 5-50. FRONT AXLE, REDUCTION BUSHING



ART\_1001160802\_12

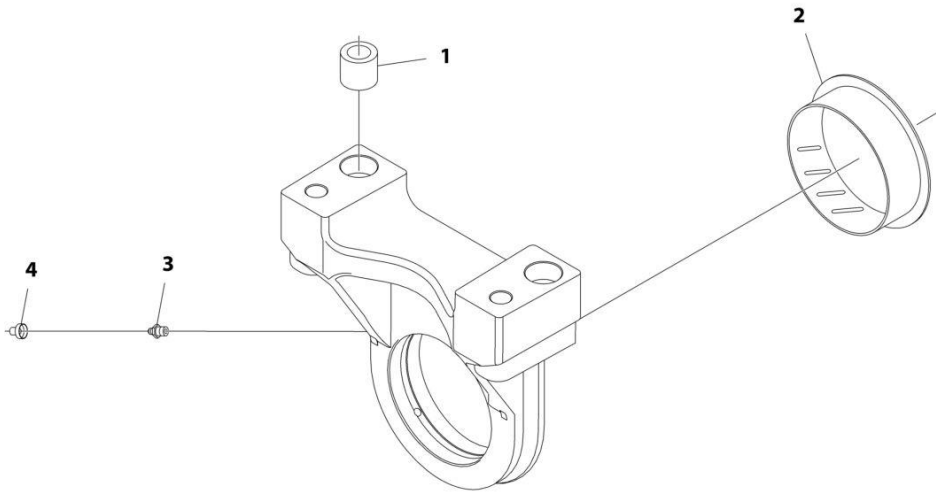
## SECTION 5 - DRIVE TRAIN

### FIGURE 5-50. FRONT AXLE, REDUCTION BUSHING

ITEM	PART NUMBER	QTY	DESCRIPTION	REV
	91514149	Ref	FRONT AXLE, REDUCTION BUSHING	
1	80204005	1	Circlip	
2	91514146	1	Bearing, Ball	
3	91514147	1	Seal	
4	91514148	1	O-Ring	

# SECTION 5 - DRIVE TRAIN

FIGURE 5-51. FRONT AXLE, SUPPORT ASSEMBLY (LF, RR)



ART\_1001160802\_13

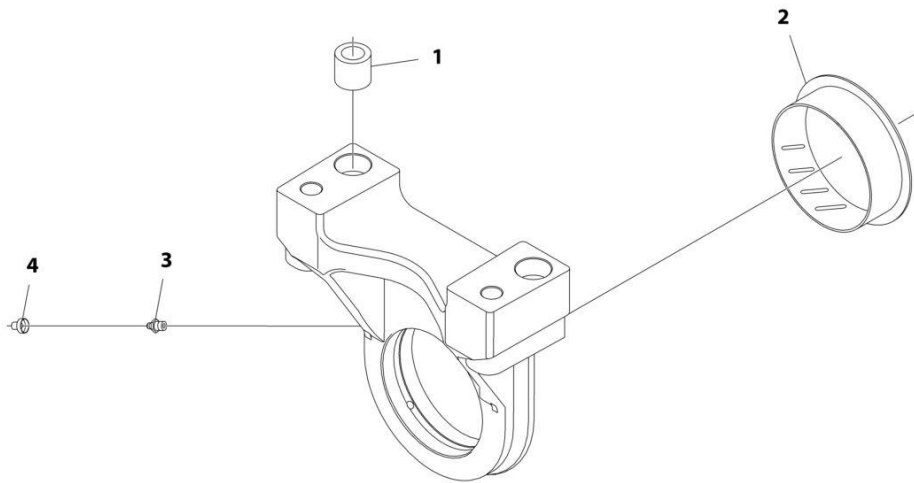
## SECTION 5 - DRIVE TRAIN

**FIGURE 5-51. FRONT AXLE, SUPPORT ASSEMBLY (LF, RR)**

ITEM	PART NUMBER	QTY	DESCRIPTION	REV
	70026265	Ref	FRONT AXLE, SUPPORT ASSEMBLY (LF, RR)	
1	7029290	2	Bushing	
2	91514090	1	Bushing, Thrust	
3	91514099	1	Fitting, Grease	
4	80204117	1	Plug	

# SECTION 5 - DRIVE TRAIN

FIGURE 5-52. FRONT AXLE, SUPPORT ASSEMBLY (RF, LR)



ART\_1001160802\_14



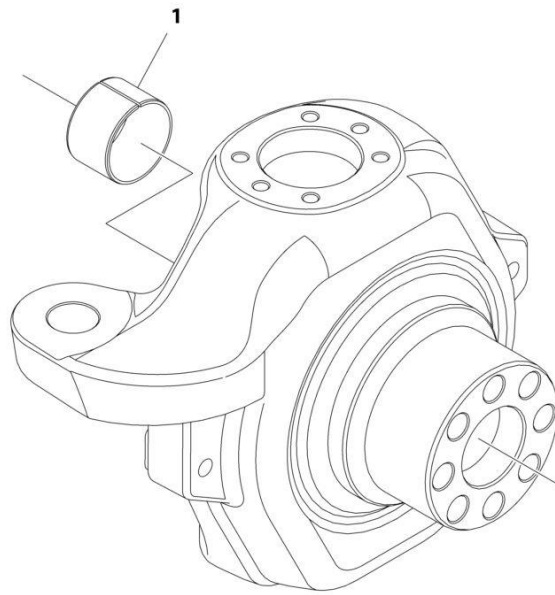
## SECTION 5 - DRIVE TRAIN

**FIGURE 5-52. FRONT AXLE, SUPPORT ASSEMBLY (RF, LR)**

ITEM	PART NUMBER	QTY	DESCRIPTION	REV
	70026266	Ref	FRONT AXLE, SUPPORT ASSEMBLY (RF, LR)	
1	7029290	2	Bushing, Reduction	
2	91514090	1	Bushing, Thrust	
3	91514099	1	Grease Fitting	
4	80204117	1	Plug	

# SECTION 5 - DRIVE TRAIN

FIGURE 5-53. FRONT AXLE, STEERING CASE ASSEMBLY (LF, RR)



ART\_1001160802\_15

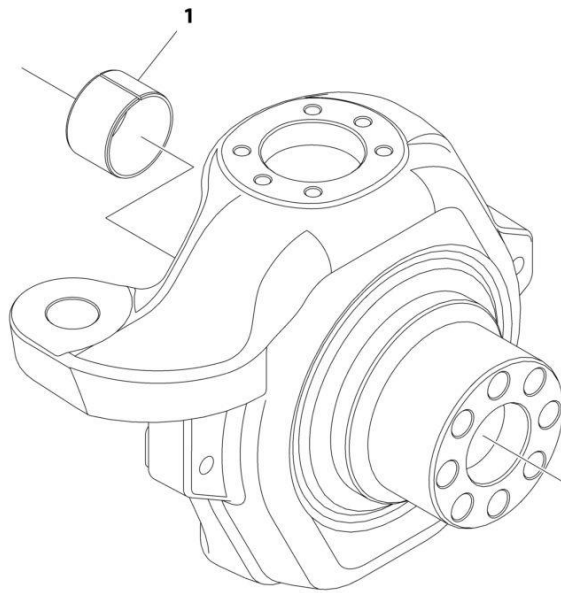
## SECTION 5 - DRIVE TRAIN

**FIGURE 5-53. FRONT AXLE, STEERING CASE ASSEMBLY (LF, RR)**

ITEM	PART NUMBER	QTY	DESCRIPTION	REV
1	70026260	Ref	FRONT AXLE, STEERING CASE ASSEMBLY (LF, RR)	
	91514111	1	Bushing	

# SECTION 5 - DRIVE TRAIN

FIGURE 5-54. FRONT AXLE, STEERING CASE ASSEMBLY (RF, LR)



ART\_1001160802\_16

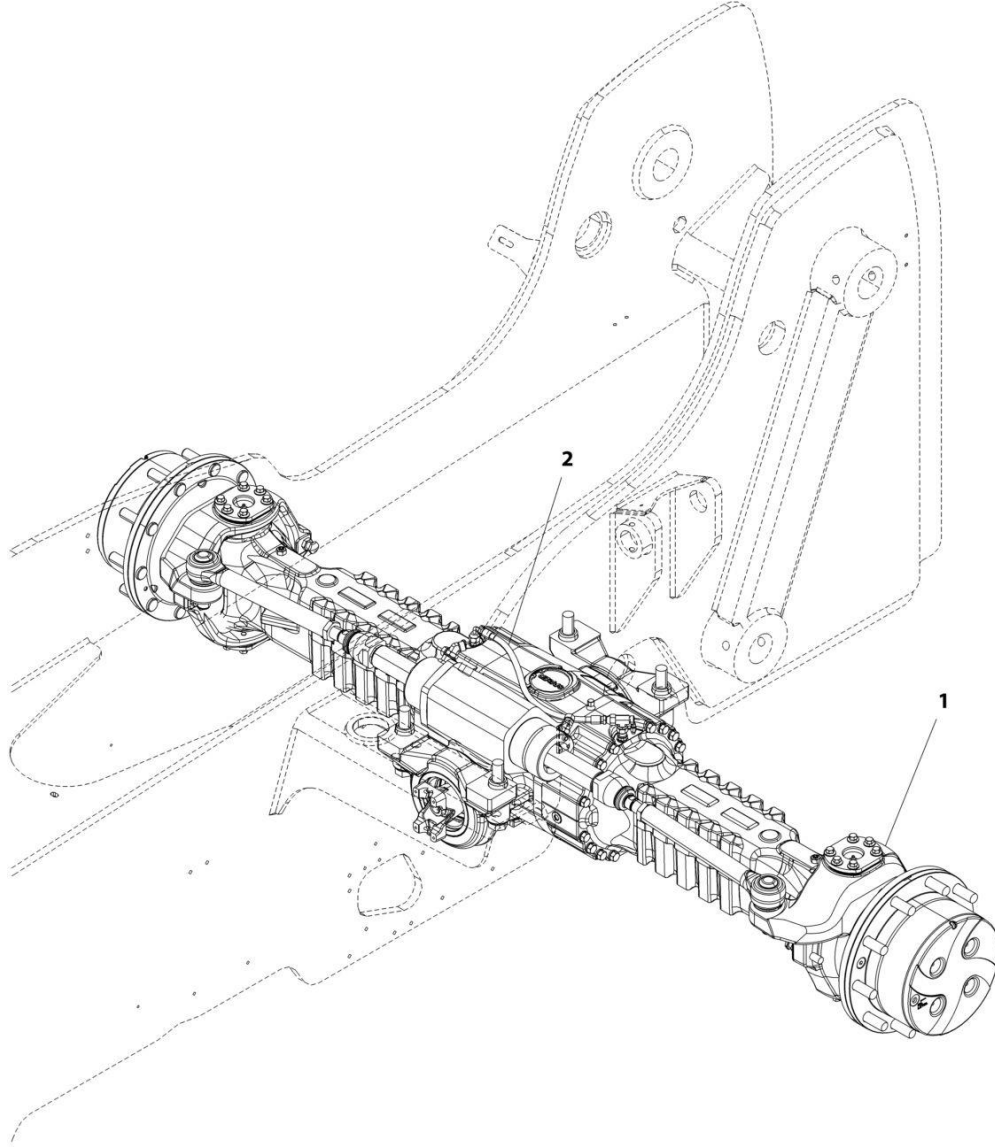
## SECTION 5 - DRIVE TRAIN

**FIGURE 5-54. FRONT AXLE, STEERING CASE ASSEMBLY (RF, LR)**

ITEM	PART NUMBER	QTY	DESCRIPTION	REV
1	70026261	Ref	FRONT AXLE, STEERING CASE ASSEMBLY (RF, LR)	
	91514111	1	Bushing	

# SECTION 5 - DRIVE TRAIN

## FIGURE 5-55. REAR AXLE INSTALLATION



ART\_1001161419-B

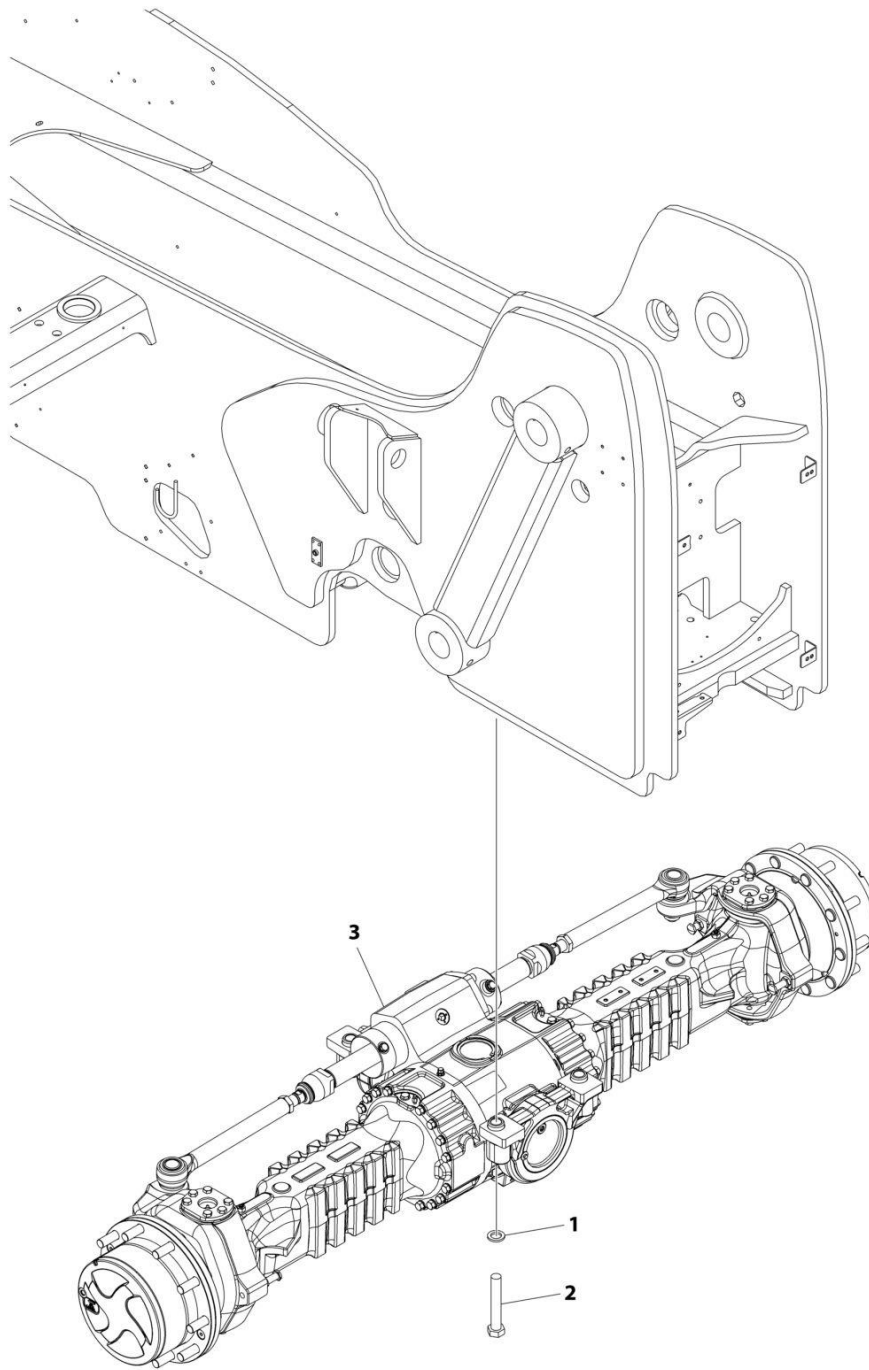
## SECTION 5 - DRIVE TRAIN

### FIGURE 5-55. REAR AXLE INSTALLATION

ITEM	PART NUMBER	QTY	DESCRIPTION	REV
1	1001161419	Ref	Rear Axle Installation	B
	1001161423	Ref	Installation, Rear Axle Mounting (See Separate Breakdown in this Section)	
2	1001161424	Ref	Installation, Rear Axle Lines (See Separate Breakdown in HYDRAULIC CIRCUITS Section)	

# SECTION 5 - DRIVE TRAIN

## FIGURE 5-56. REAR AXLE MOUNTING INSTALLATION



ART\_1001161423



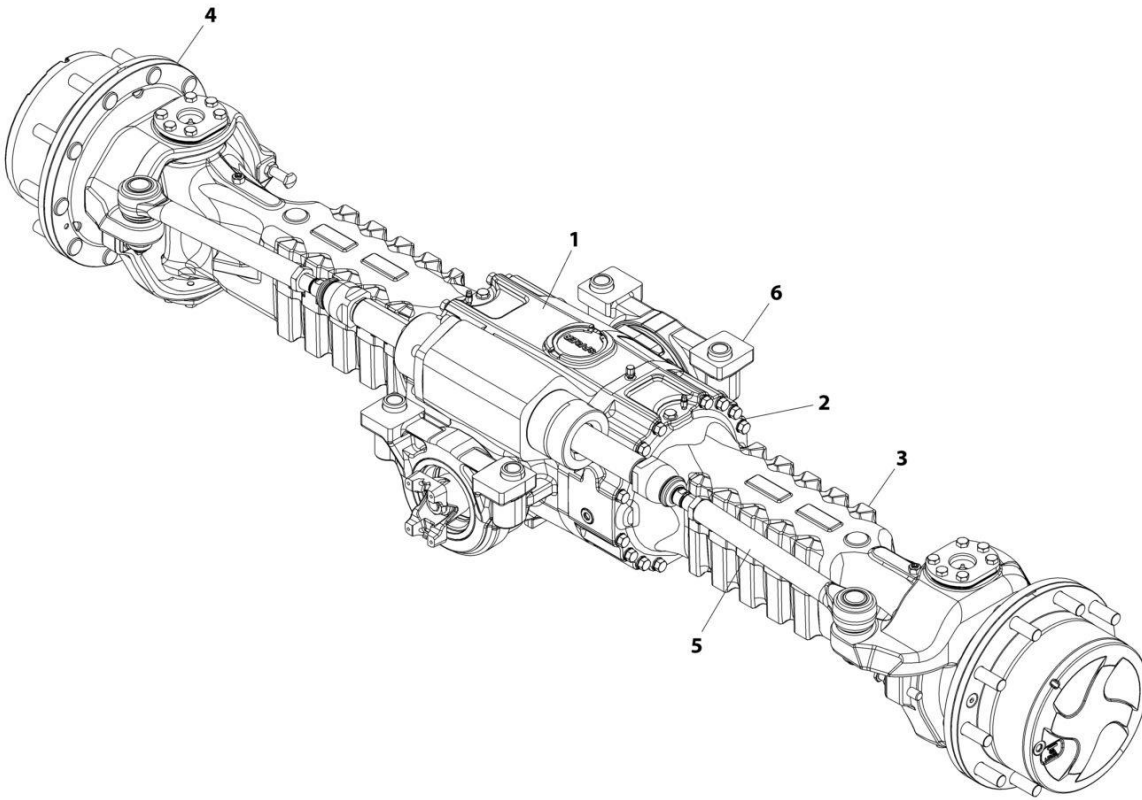
## SECTION 5 - DRIVE TRAIN

**FIGURE 5-56. REAR AXLE MOUNTING INSTALLATION**

ITEM	PART NUMBER	QTY	DESCRIPTION	REV
	1001161423	Ref	REAR AXLE MOUNTING INSTALLATION	C
1	4892600	4	Washer 1	
2	1001097587	4	Bolt M24 x 150	
3	1001160803	1	Axle, Rear (PVC 1911) (See Separate Breakdown in this Section)	
3	1001262335	1	Axle, Rear (PVC 2005) (See Separate Breakdown in this Section)	

# SECTION 5 - DRIVE TRAIN

## FIGURE 5-57. REAR AXLE



ART\_1001262335

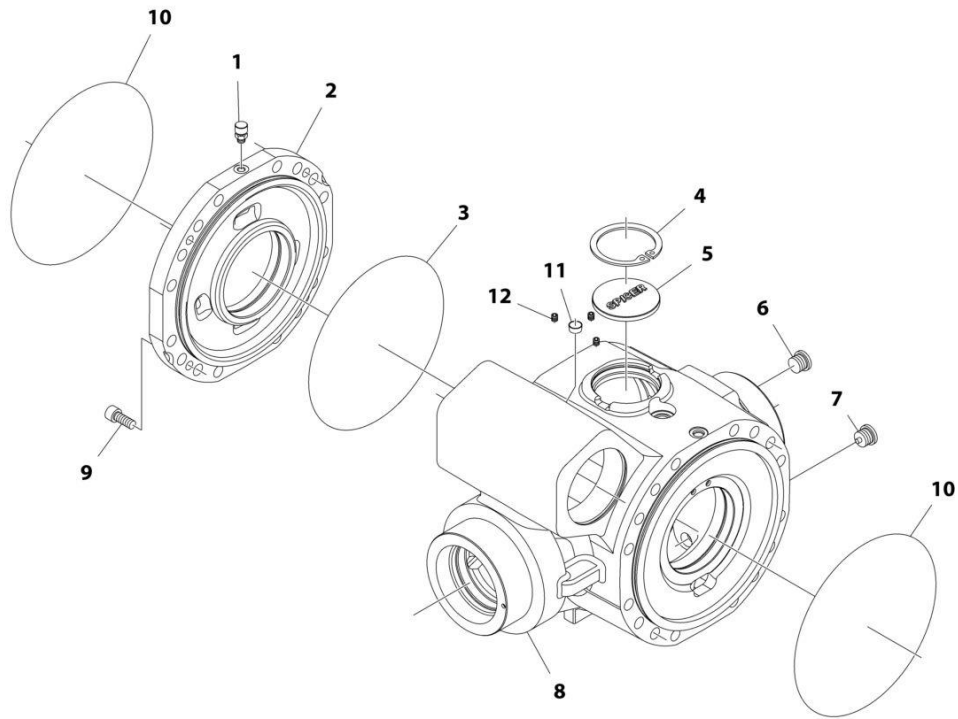
## SECTION 5 - DRIVE TRAIN

### FIGURE 5-57. REAR AXLE

ITEM	PART NUMBER	QTY	DESCRIPTION	REV
	1001262335	Ref	REAR AXLE	A
1		Ref	Rear Axle, Central Housing (See Separate Breakdown in this Section)	
2		Ref	Rear Axle, Differential (See Separate Breakdown in this Section)	
3		Ref	Rear Axle, Hub Reduction (See Separate Breakdown in this Section)	
4		Ref	Rear Axle, Brakes (See Separate Breakdown in this Section)	
5		Ref	Rear Axle, Steering (See Separate Breakdown in this Section)	
6		Ref	Rear Axle, Trunion (See Separate Breakdown in this Section)	

# SECTION 5 - DRIVE TRAIN

## FIGURE 5-58. REAR AXLE, CENTRAL HOUSING



ART\_1001262335\_1

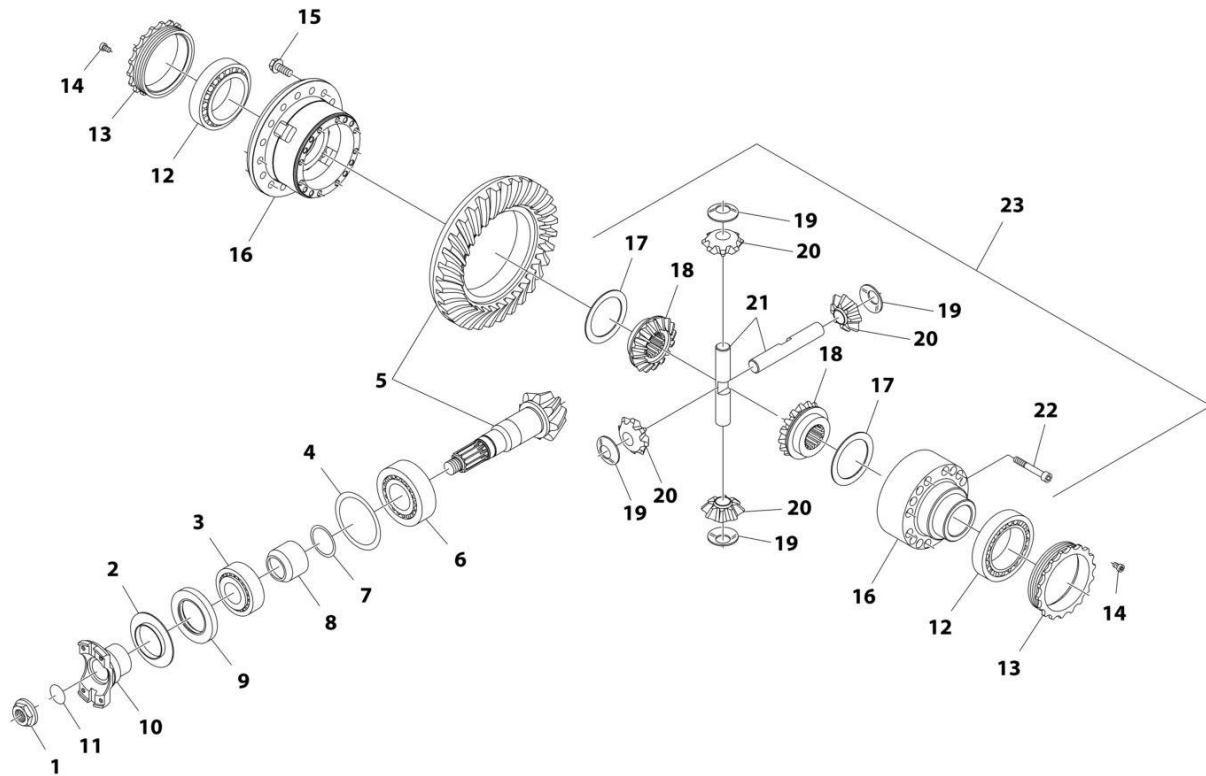
## SECTION 5 - DRIVE TRAIN

### FIGURE 5-58. REAR AXLE, CENTRAL HOUSING

ITEM	PART NUMBER	QTY	DESCRIPTION	REV
1	91474512	1	Vent	
2	7029288	1	Cover, Intermediate	
3	80204002	1	O-Ring	
4	80204005	1	Circlip	
5	91514098	1	Plug	
6	70028389	1	Plug	
7	70028388	1	Magnetic Plug	
8	70025335	1	Housing	
9	91514101	4	Bolt	
10	91514089	2	O-Ring	
11	7029307	1	Plug	
12	7029306	3	Bolt	

# SECTION 5 - DRIVE TRAIN

## FIGURE 5-59. REAR AXLE, DIFFERENTIAL



ART\_1001262335\_2

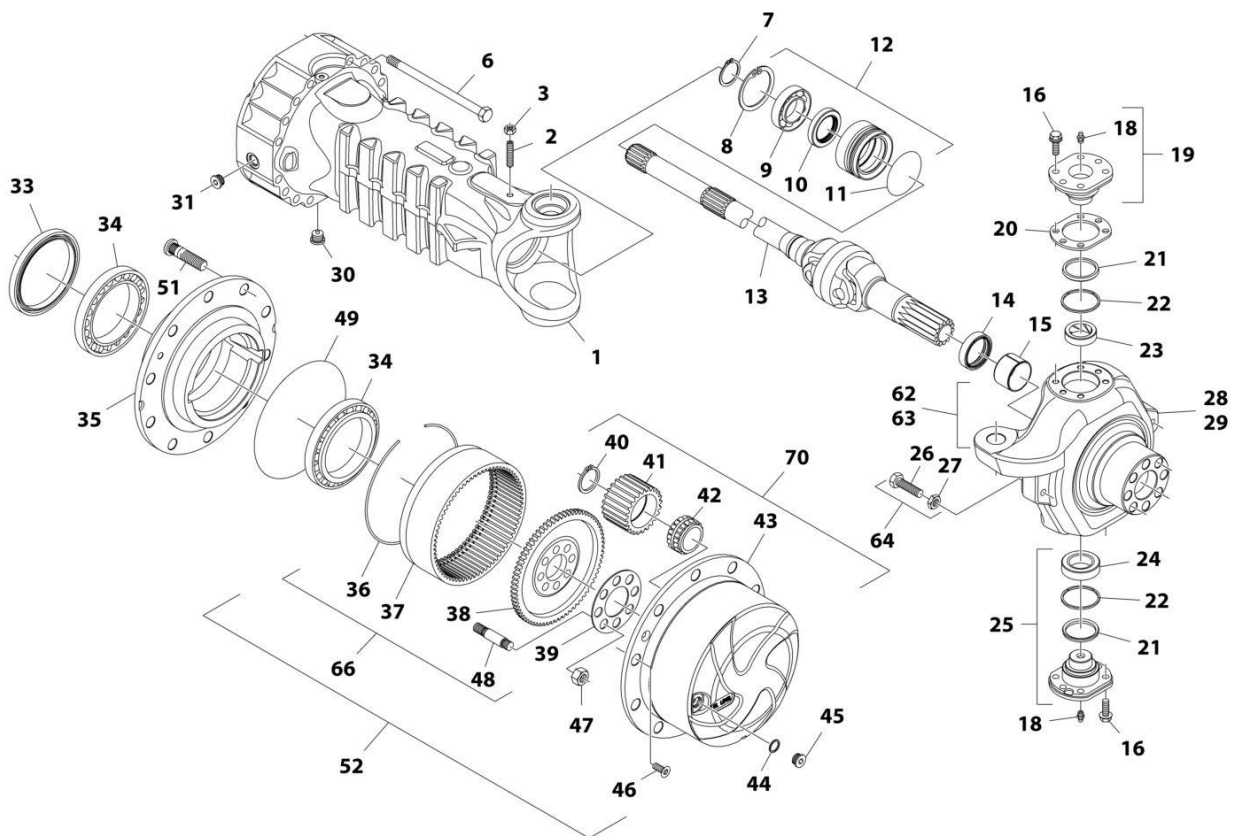
## SECTION 5 - DRIVE TRAIN

**FIGURE 5-59. REAR AXLE, DIFFERENTIAL**

ITEM	PART NUMBER	QTY	DESCRIPTION	REV
1	80204043	1	Nut	
2	91514130	1	Plate, Cover	
3	80204048	1	Bearing, Taper Roller	
4	70023469	1	Shim	
5	70025336	1	Set, Bevel Gear	
6	80204035	1	Bearing, Taper Roller	
7	70023494	1	Ring	
8	70022140	1	Spacer	
9	70025887	1	Seal	
10	91514131	1	Flange	
11	10725554	1	O-Ring	
12	80204033	2	Bearing, Taper Roller	
13	91514133	2	Nut, Ring	
14	91514134	2	Bolt	
15	70025562	16	Bolt	
16	70025337	1	Differential Carrier Assembly	
17	70023493	2	Friction Washer	
18	70025338	2	Differential Side Gear	
19	70027105	4	Differential Side Gear	
20	70025339	4	Differential Pinion	
21	70023490	2	Differential Shaft	
22	70023489	15	Bolt	
23	70026030	1	Kit, Differential (includes items 16 thru 22)	

# SECTION 5 - DRIVE TRAIN

## FIGURE 5-60. REAR AXLE, HUB REDUCTION



ART\_1001262335\_3



## SECTION 5 - DRIVE TRAIN

### FIGURE 5-60. REAR AXLE, HUB REDUCTION

ITEM	PART NUMBER	QTY	DESCRIPTION	REV
1	70025341	2	Case, Axle	
2	91514081	2	Bolt	
3	91514082	2	Nut	
6	70022814	32	Bolt	
7	80204071	2	Circlip	
8	80204005	2	Circlip	
9	91514146	2	Bearing, Ball	
10	91514147	2	Seal	
11	91514148	2	O-Ring	
12	91514149	2	Bushing, Reduction (See Separate Breakdown in this Section)	
13	70026066	2	Joint, Double Universal	
14	70026238	2	Seal	
15	91514111	2	Thrust Bushing	
16	70025562	24	Bolt	
18	70024881	4	Grease Fitting	
19	91514112	2	Pivot Pin	
20	70025561	1	Shim	
21	7028716	4	Dust Excluder	
23	7028714	2	Bushing	
24	91514095	2	Bearing	
25	7028715	2	Pivot Pin	
26	80204065	2	Nut	
27	91514117	4	Bolt	
28	70026267	1	Steering Case Assembly	
29	70026268	1	Steering Case Assembly	
30	70028388	2	Plug	
31	70028389	2	Plug	
33	70026002	2	Seal	
34	80204076	4	Taper Roller Bearing	
35	91514174	2	Wheel Hub	
36	91514175	2	Circlip	
37	70024147	2	Ring Gear	
38	91514177	2	Ring Gear Support	
39	91514178	2	Locking, Plate	
40	91514184	8	Snap, Ring	
41	91514185	8	Planet Gear	
42	91514186	8	Bearing	
43	7029317	2	Planet Gear Carrier	
45	91514188	2	Plug	
46	91514189	4	Bolt, Countersunk	
47	91514179	16	Nut	
48	91514180	16	Stud	
49	91514181	2	O-Ring	
51	91514183	20	Wheel Stud	
52	70026259	2	Kit, Planet Gear Carrier Kit and Ring Gear (includes items 36 thru 38 & 40 thru 43)	
62	70026260	1	Assembly, Steering Case (LF, RR) (includes items 15 & 28)	
63	70026261	1	Assembly, Steering Case (RF, LR) (includes items 15 & 29)	
64	7028733	4	Kit, Steering Adjust Bolt (includes items 26 & 27)	
66	70024146	2	Kit, Ring Gear Support (includes items 36 thru 38)	

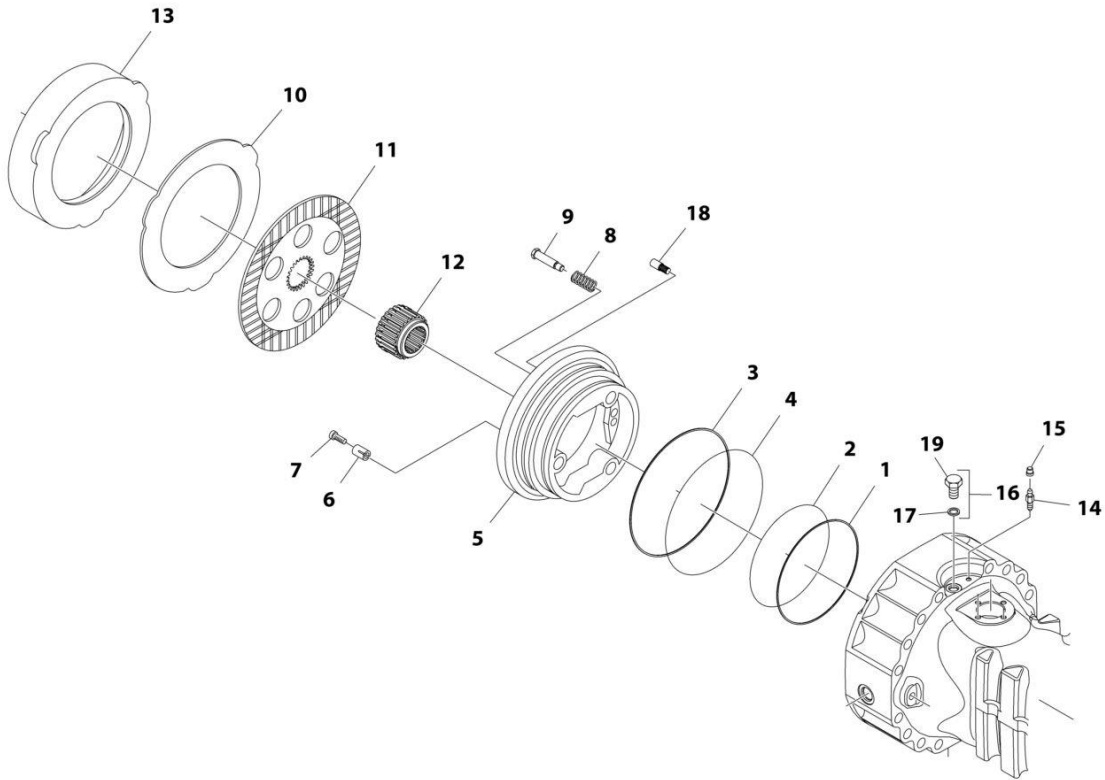
## SECTION 5 - DRIVE TRAIN

ITEM	PART NUMBER	QTY	DESCRIPTION	REV
70	7029743	2	Kit, Planet Gear Carrier (includes items 40 thru 43)	



# SECTION 5 - DRIVE TRAIN

## FIGURE 5-61. REAR AXLE, BRAKES



ART\_1001262335\_4

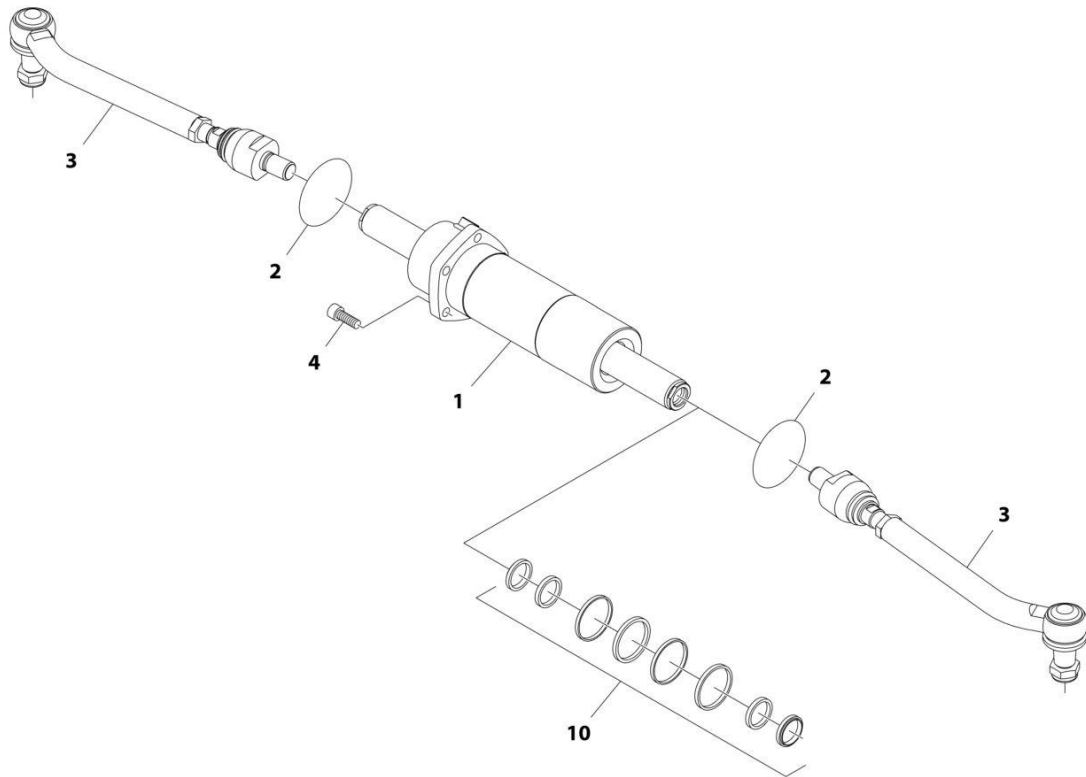
## SECTION 5 - DRIVE TRAIN

### FIGURE 5-61. REAR AXLE, BRAKES

ITEM	PART NUMBER	QTY	DESCRIPTION	REV
1	70021609	1	O-Ring	
2	70021610	1	O-Ring	
3	70021612	1	O-Ring	
4	70021611	1	O-Ring	
5	70024216	2	Piston	
6	70027317	6	Spring	
7	7029785	6	Adjusting Bolt	
8	91514159	6	Spring	
9	70024210	6	Bolt, Adjusting	
10	70027022	6	Intermediate Brake Disc	
11	7029735	6	Disc, Brake	
12	7029734	2	Bushing, Reduction	
13	70021606	2	Spacer	
14	10725627	2	Bleeding Bolt	
15	80204117	2	Plug	
16	91514154	2	Plug W/Seal Washer (includes items 17 & 19)	
17	NSS	2	Seal Washer	
18	70021613	2	Bolt, Pilot	
19	NSS	2	Plug	

# SECTION 5 - DRIVE TRAIN

## FIGURE 5-62. REAR AXLE, STEERING



ART\_1001262335\_5

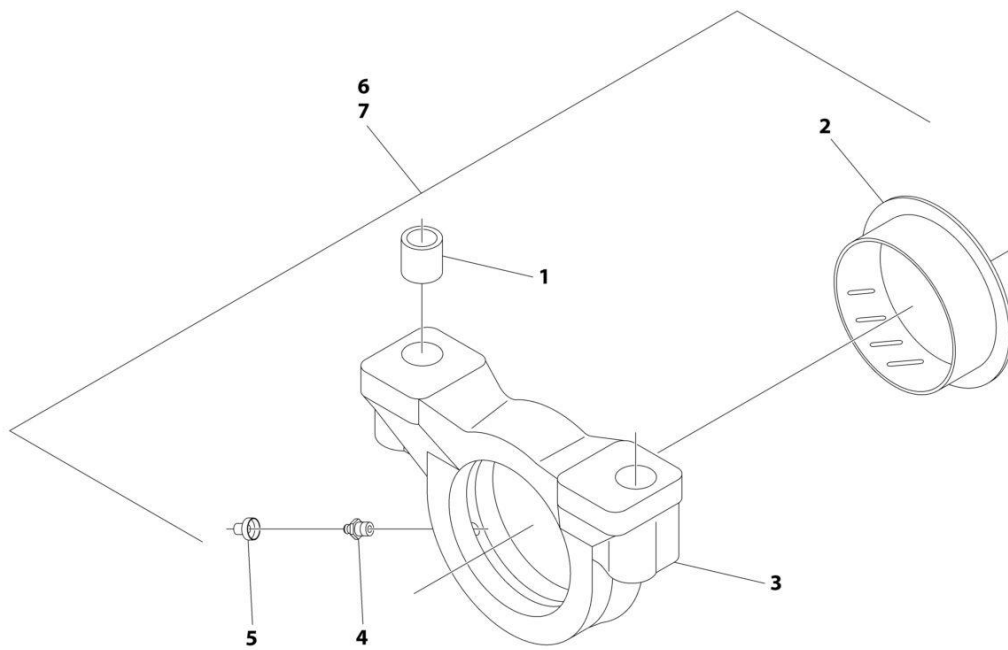
## SECTION 5 - DRIVE TRAIN

### FIGURE 5-62. REAR AXLE, STEERING

ITEM	PART NUMBER	QTY	DESCRIPTION	REV
1	7026490	1	Cylinder	
2	80204143	2	O-Ring	
3	70026753	2	Tie Rod	
4	80204144	5	Bolt, Cylinder	
10	7029127	1	Seal	

# SECTION 5 - DRIVE TRAIN

## FIGURE 5-63. REAR AXLE, TRUNION



ART\_1001262335\_6



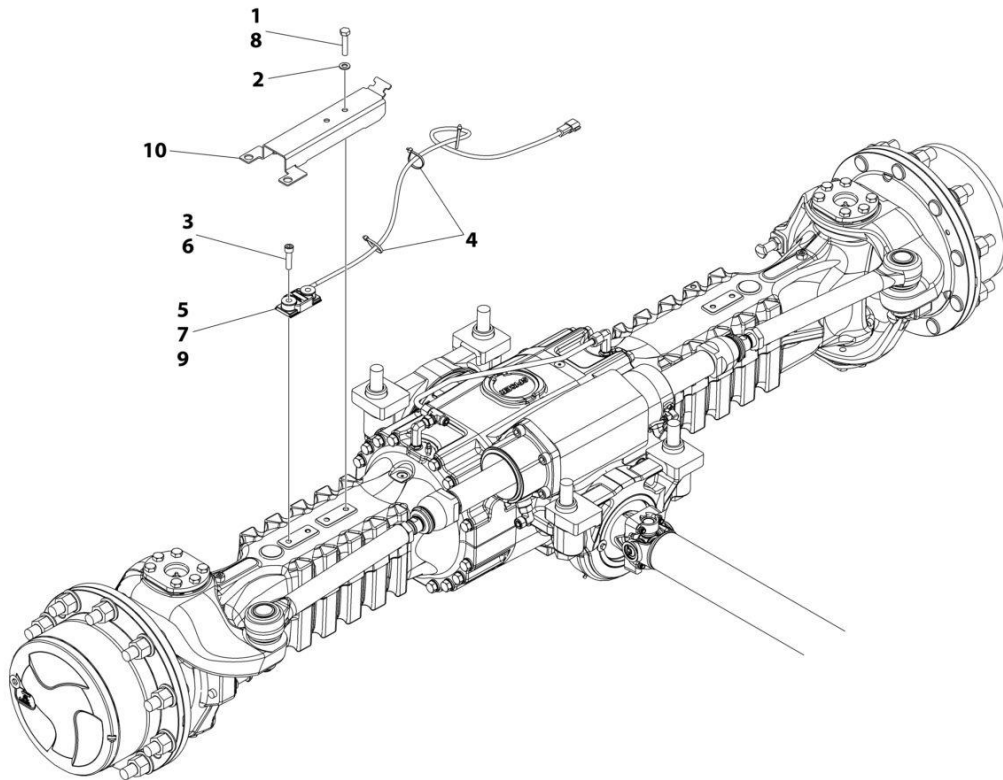
## SECTION 5 - DRIVE TRAIN

### FIGURE 5-63. REAR AXLE, TRUNION

ITEM	PART NUMBER	QTY	DESCRIPTION	REV
1	7029290	4	Bushing	
2	91514090	4	Thrust Bushing	
3	NSS	2	Support	
4	70024881	2	Grease Fitting	
5	80204117	2	Plug	
6	70026266	1	Support Assembly (RF, FR) (includes items 1 thru 5)	
7	70026265	1	Support Assembly (FF, RR) (includes items 1 thru 5)	

# SECTION 5 - DRIVE TRAIN

## FIGURE 5-64. LSI AXLE SENSOR INSTALLATION



ART\_1001258217

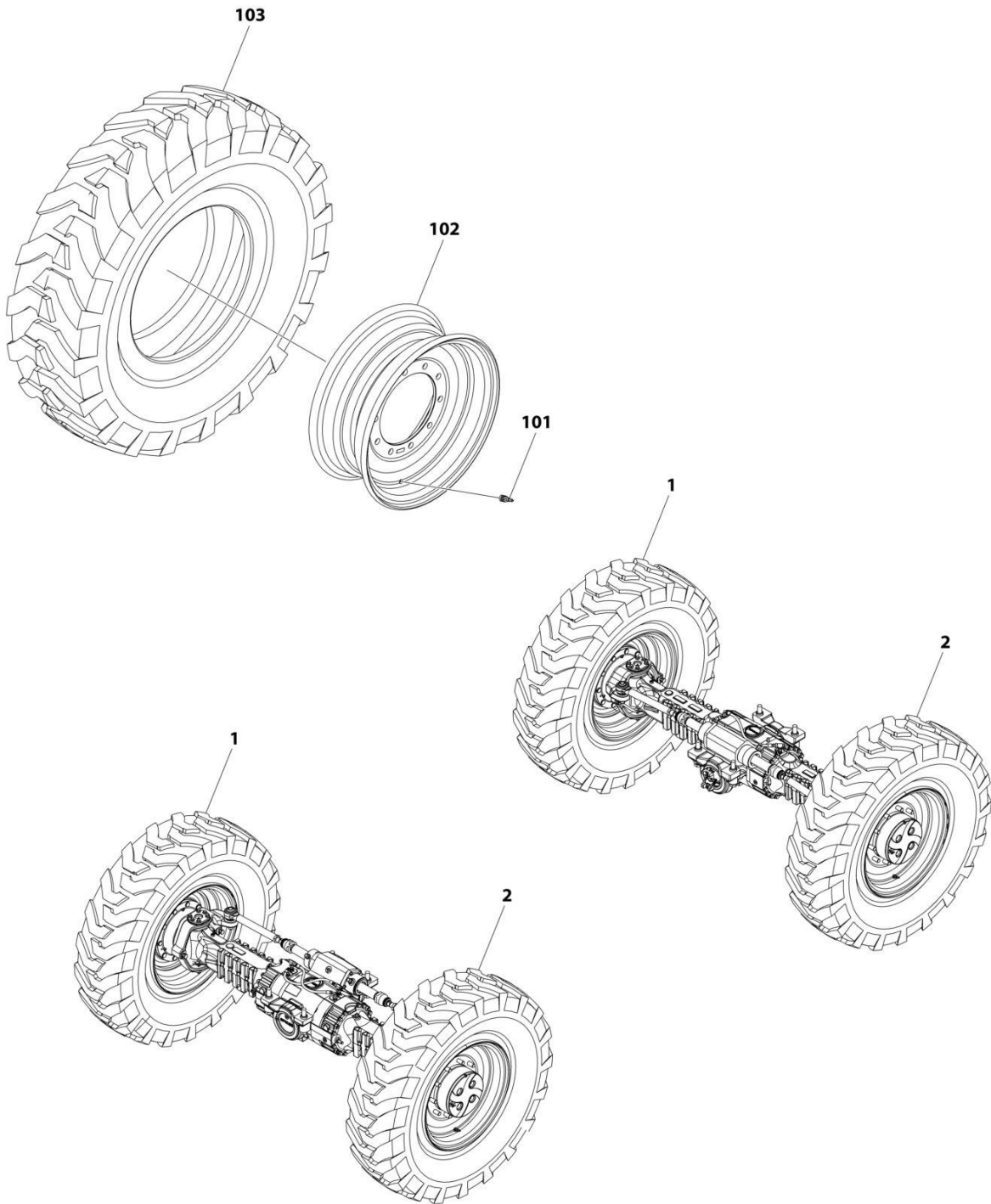
## SECTION 5 - DRIVE TRAIN

### FIGURE 5-64. LSI AXLE SENSOR INSTALLATION

ITEM	PART NUMBER	QTY	DESCRIPTION	REV
	1001258217	Ref	LSI AXLE SENSOR INSTALLATION	A
1	0701018	2	Bolt M10 x 50	
2	4812000	2	Washer M10	
3	5272012	2	Bolt M10 x 40	
4	1001008559	3	Strap	
5	1001116128	AR	Seal	
6	1001125465	AR	Locking, Compound	
7	1001129423	1	Sensor Installation (Includes Items 3, 5, 6, 8 & 9)	
8	1001129425	AR	Adhesive	
9	1001160730	1	Sensor, Rear Axle	
10	1001258706	1	Bracket	

# SECTION 5 - DRIVE TRAIN

FIGURE 5-65. TIRE/WHEEL SET 14-24 16PR - AIR



ART\_1001198291

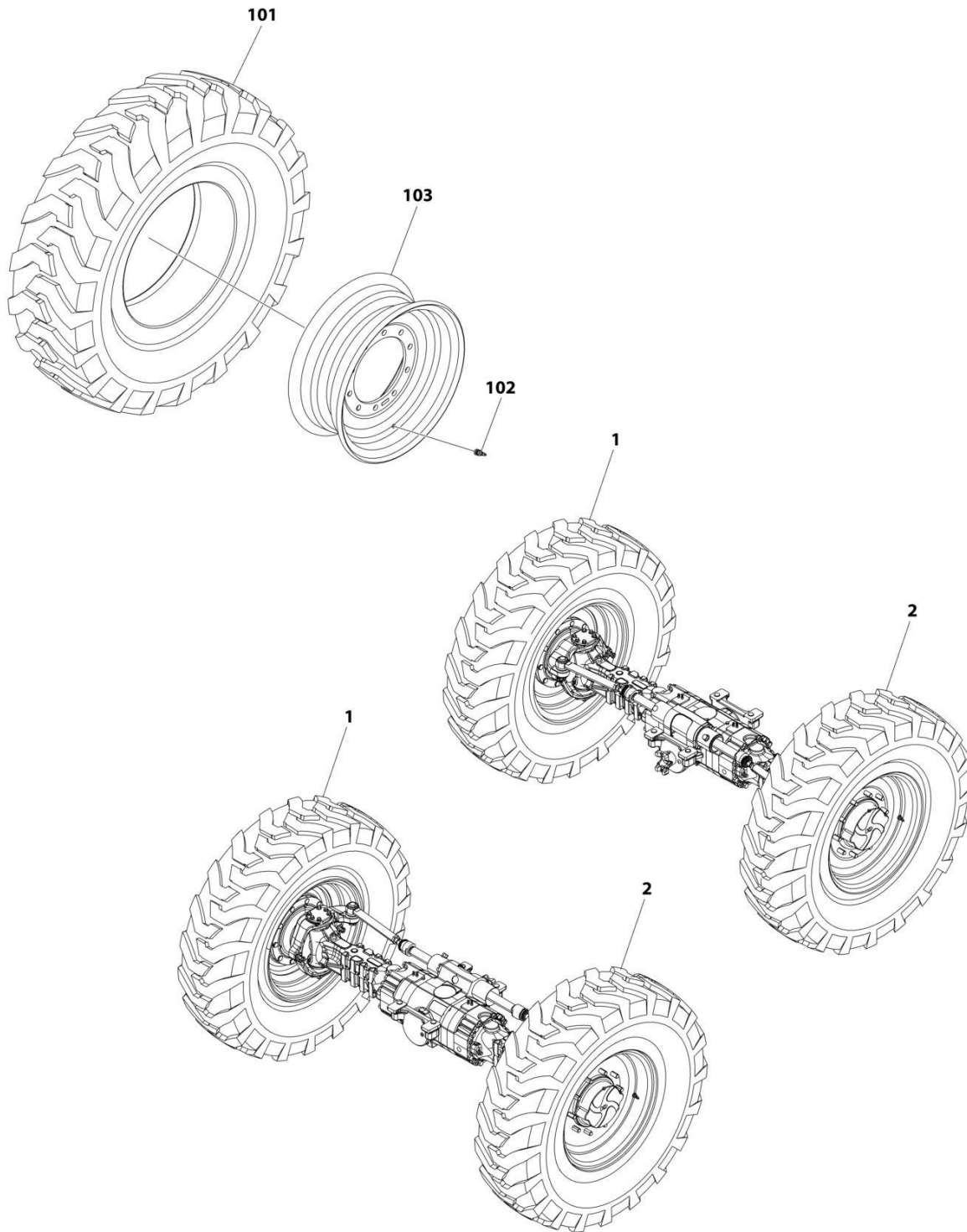
## SECTION 5 - DRIVE TRAIN

### FIGURE 5-65. TIRE/WHEEL SET 14-24 16PR - AIR

ITEM	PART NUMBER	QTY	DESCRIPTION	REV
	1001198291	Ref	TIRE/WHEEL SET 14-24 16PR - AIR	A
1	1001197715	2	Assembly, Tire/Wheel Right 14-24 16PR - Air (Includes Item 101-103)	
2	1001197716	2	Assembly, Tire/Wheel Left 14-24 16PR - Air (Includes Item 101-103)	
101	8786514	4	Valve, Stem (1 per assembly)	
102	91473206	4	Wheel, 24 x 9.00 GR (1 per assembly)	
103	1001197709	4	Tire, 14.00 x 24 TG 16 PLY BIAS G2 (1 per assembly)	

# SECTION 5 - DRIVE TRAIN

FIGURE 5-66. TIRE/WHEEL SET - 14.00-24 FOAM FILLED



ART\_4520482

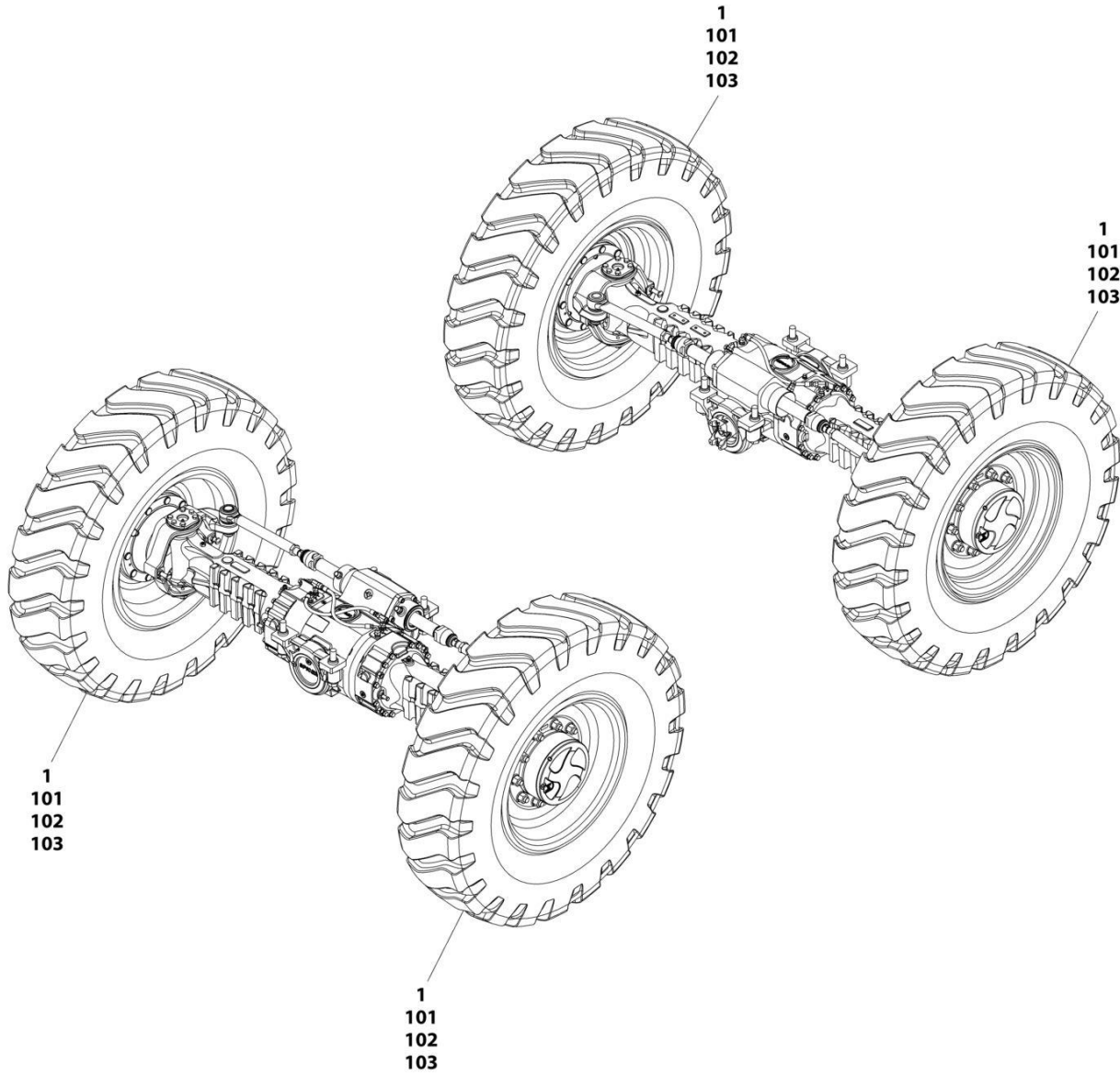
## SECTION 5 - DRIVE TRAIN

**FIGURE 5-66. TIRE/WHEEL SET - 14.00-24 FOAM FILLED**

ITEM	PART NUMBER	QTY	DESCRIPTION	REV
	4520482	Ref	TIRE/WHEEL SET - 14.00-24 FOAM FILLED	C
		Ref	Note: Assemblies require ballast/foam filling to manufacture's specifications prior to installing on machine. Refer to Operation & Safety or Service & Maintenance Manuals.	
		Ref	Purchase individual tire and/or wheel only if able to foam fill tire & wheel assembly, otherwise purchase complete assembly.	
1	91355037	2	Tire/Wheel Right 14-24 G-2 - Foam (Includes Item 101-103)	
2	91355038	2	Tire/Wheel Left 14-24 G-2 - Foam (Includes Item 101-103)	
101	91043084	4	Tire, 13.00 x 24 TG 16 PLY G2, BIAS (1 per assembly)	
102	8786514	4	Valve, Stem (1 per assembly)	
103	91473206	4	Wheel, 24 x 9.00 GR (1 per assembly)	

# SECTION 5 - DRIVE TRAIN

FIGURE 5-67. TIRE/WHEEL SET - 14.00-24 E-3 FOAM FILLED



ART\_1001264713



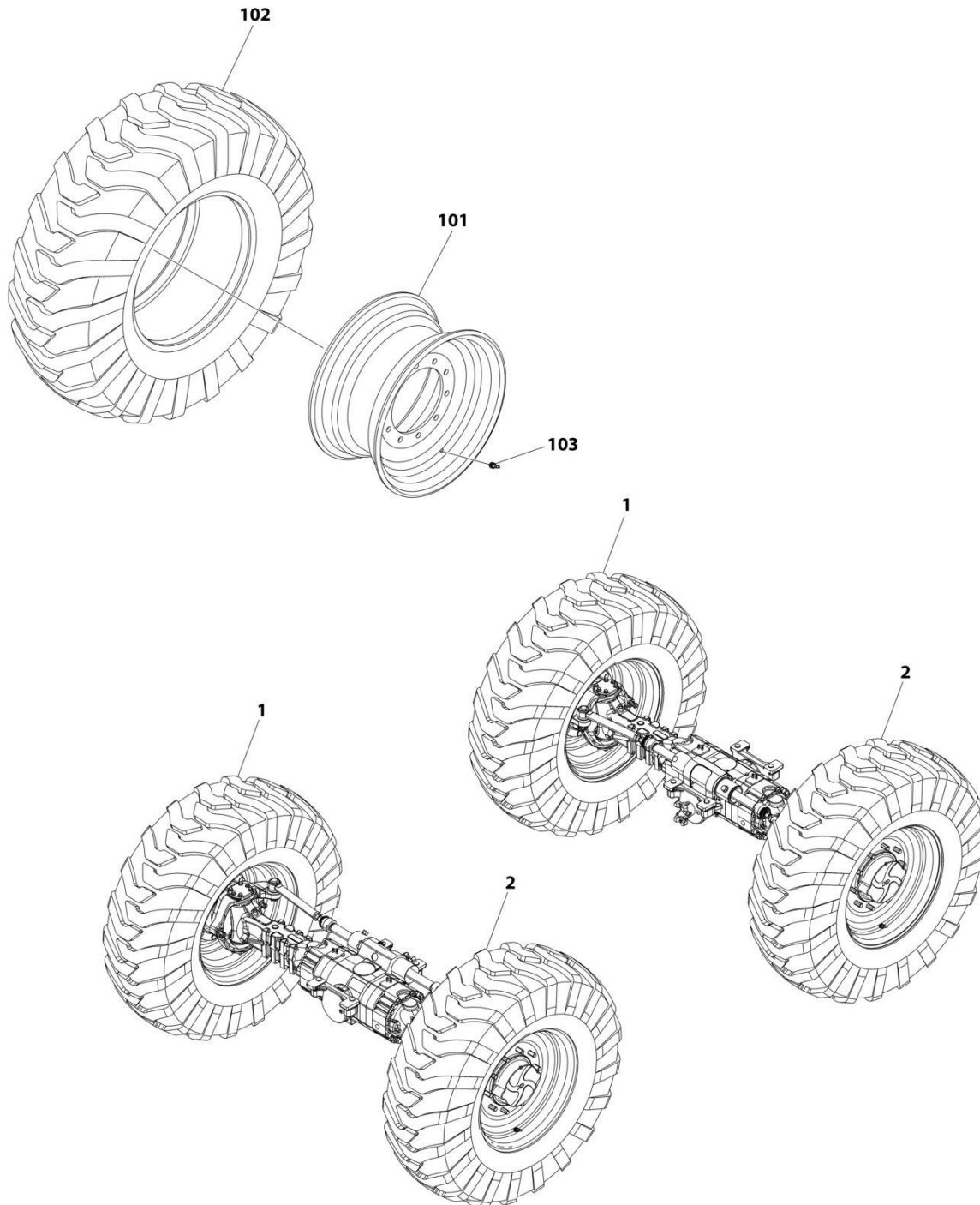
## SECTION 5 - DRIVE TRAIN

**FIGURE 5-67. TIRE/WHEEL SET - 14.00-24 E-3 FOAM FILLED**

ITEM	PART NUMBER	QTY	DESCRIPTION	REV
	1001264713	Ref	TIRE WHEEL SET - 14.00-24 - FOAM	A
		Ref	<b>Note: Assemblies require ballast/foam filling to manufacture's specifications prior to installing on machine. Refer to Operation &amp; Safety or Service &amp; Maintenance Manuals.</b>	
		Ref	<b>Purchase individual tire and/or wheel only if able to foam fill tire &amp; wheel assembly, otherwise purchase complete assembly.</b>	
1	1001264700	4	Tire and Wheel Assembly	
101	8786514	4	Valve, Air (1 per assembly)	
102	91473206	4	Wheel (1 per assembly)	
103	1001263011	4	Tire 14.00-24 (1 per assembly)	

# SECTION 5 - DRIVE TRAIN

FIGURE 5-68. TIRE/WHEEL SET - 17.50-25 AIR



ART\_1001152430

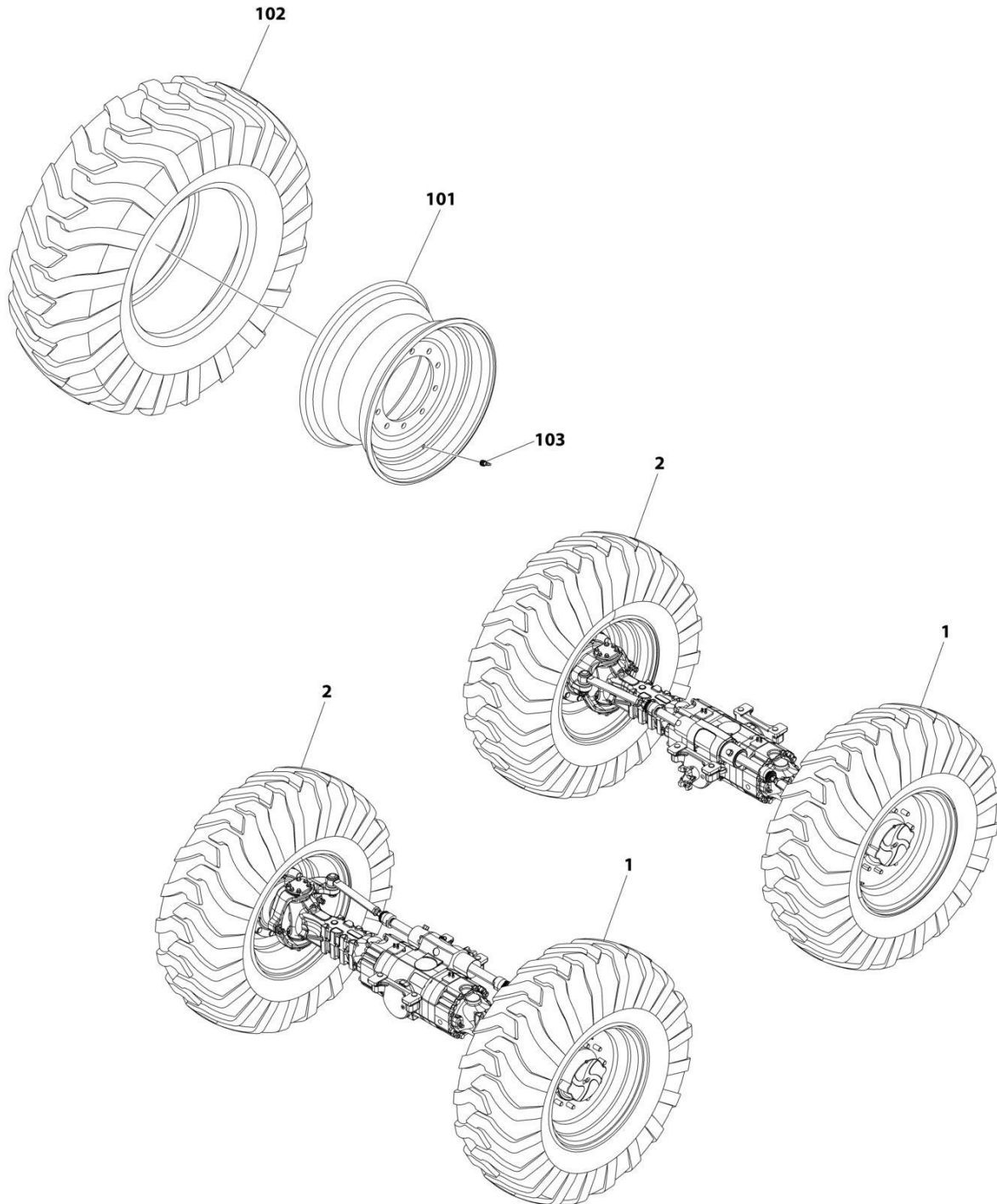
## SECTION 5 - DRIVE TRAIN

### FIGURE 5-68. TIRE/WHEEL SET - 17.50-25 AIR

ITEM	PART NUMBER	QTY	DESCRIPTION	REV
	1001152430	Ref	TIRE/WHEEL SET - 17.50-25 AIR	A
1	1001152415	2	Assembly, Right Tire and Wheel - 17.5-25 16 PLY (Includes Item 101-103)	
2	1001152416	2	Assembly, Left Tire and Wheel - 17.5-25 16 PLY (Includes Item 101-103)	
101	91563250	4	Wheel, 25.00 x 13.00 LR 1.687 Offset (1 per assembly)	
102	8780039	4	Tire, 17.5-25 16 PLY (1 per assembly)	
103	91083385	4	Valve, Tire (1 per assembly)	

# SECTION 5 - DRIVE TRAIN

FIGURE 5-69. TIRE/WHEEL SET - 17.50-25 - FOAM FILLED



ART\_4520519

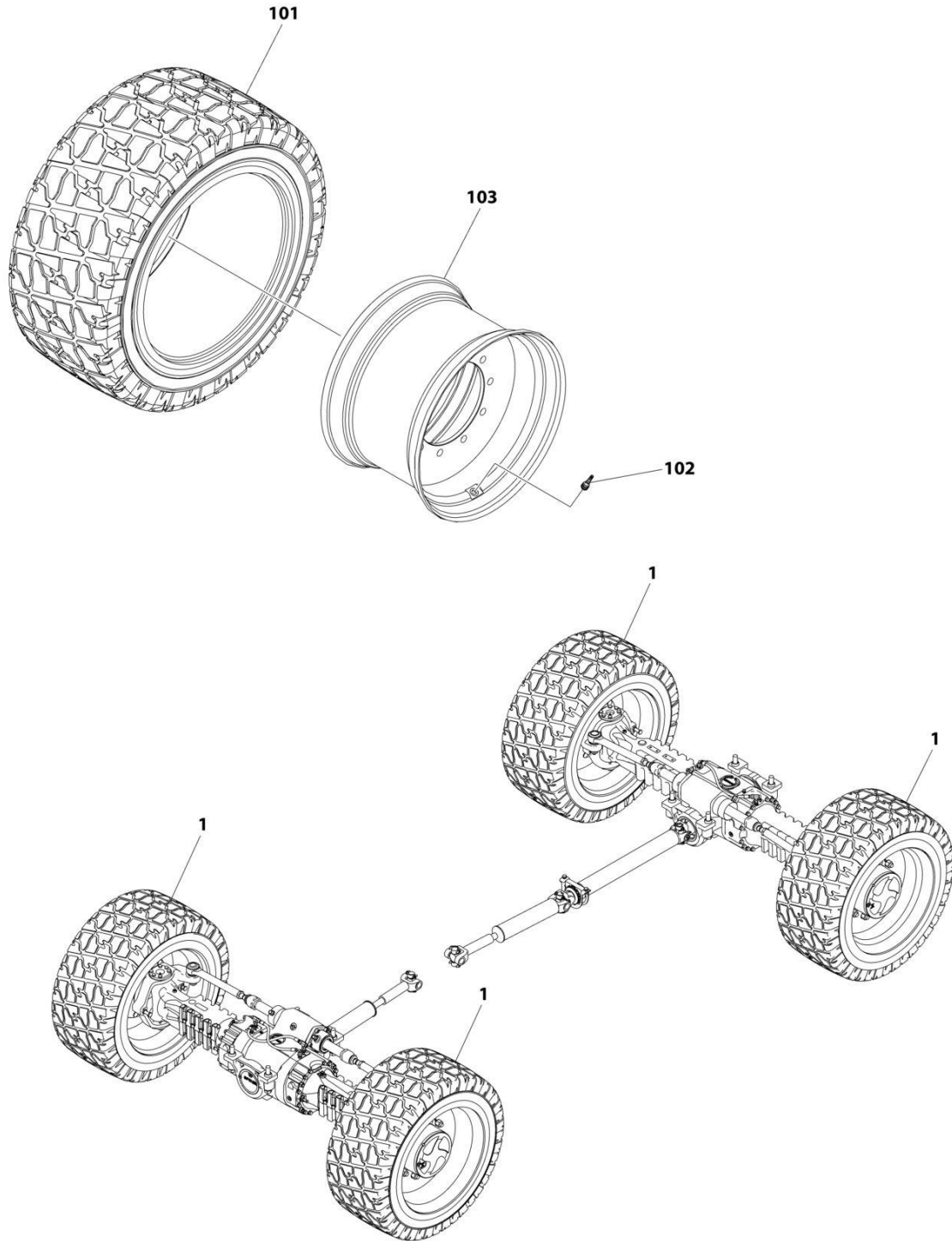
## SECTION 5 - DRIVE TRAIN

**FIGURE 5-69. TIRE/WHEEL SET - 17.50-25 - FOAM FILLED**

ITEM	PART NUMBER	QTY	DESCRIPTION	REV
	4520519	Ref	TIRE/WHEEL SET - 17.50-25 - FOAM FILLED	B
		Ref	Note: Assemblies require ballast/foam filling to manufacture's specifications prior to installing on machine. Refer to Operation & Safety or Service & Maintenance Manuals.	
		Ref	Purchase individual tire and/or wheel only if able to foam fill tire & wheel assembly, otherwise purchase complete assembly.	
1	91565039	2	Assembly, Left Tire and Wheel - 17.50-25 - FOAM FILLED (Includes Item 101-103)	
2	91565040	2	Assembly, Right Tire and Wheel - 17.50-25 - FOAM FILLED (Includes Item 101-103)	
101	91563250	4	Wheel, 25 x 13.00 LR, 1.687 Offset (1 per assembly)	
102	4520527	4	Tire, 17.5-25 12 PLY (1 per assembly)	
103	91083385	4	Valve, Tire (1 per assembly)	

# SECTION 5 - DRIVE TRAIN

FIGURE 5-70. TIRE SET - 18 X 625 (TURF AND SAND PNEUMATIC)



ART\_1001252986

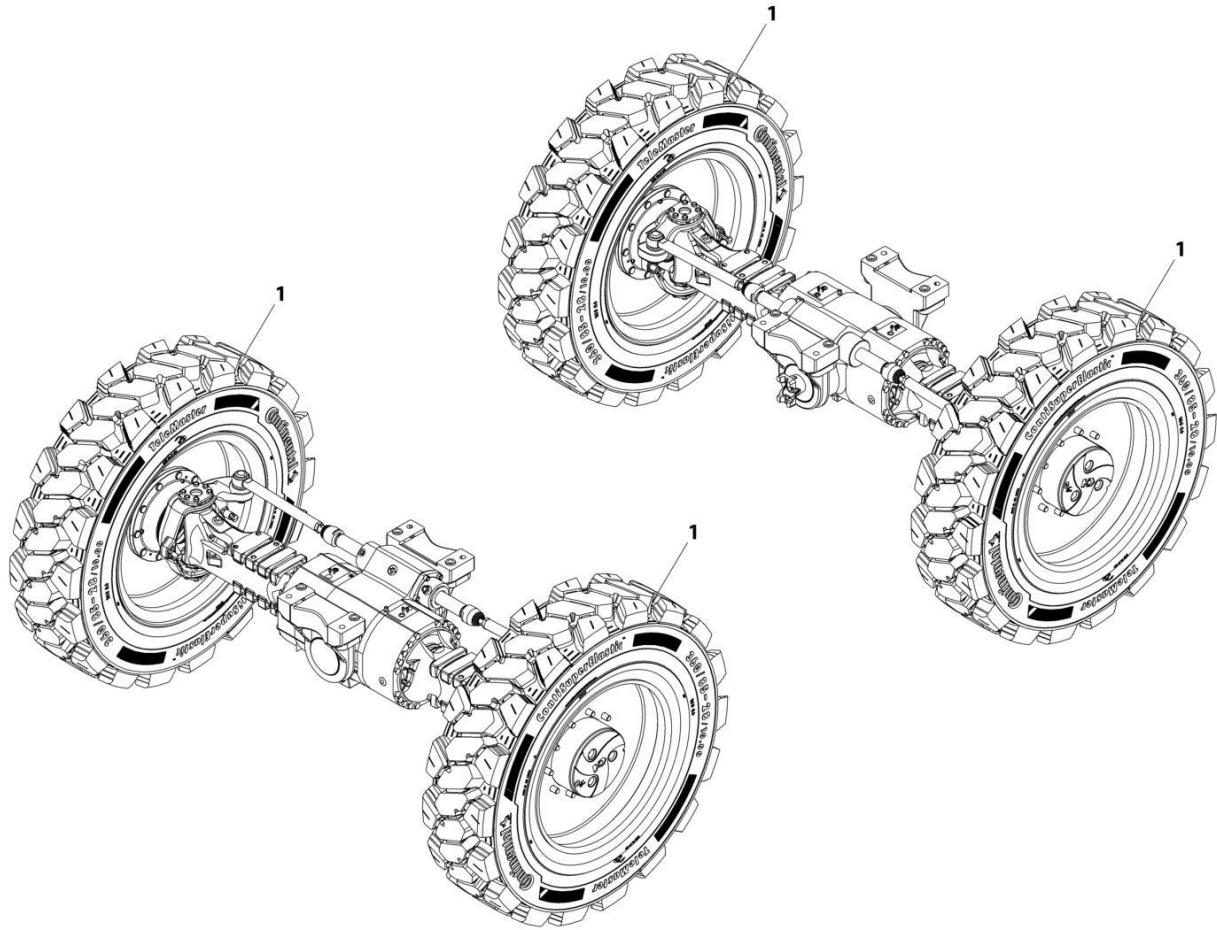
## SECTION 5 - DRIVE TRAIN

**FIGURE 5-70. TIRE SET - 18 X 625 (TURF AND SAND PNEUMATIC)**

ITEM	PART NUMBER	QTY	DESCRIPTION	REV
	1001252986	Ref	TIRE SET - 18 X 625 (TURF AND SAND PNEUMATIC)	A
1	1001259635	4	Tire and Wheel Assembly	
101	4520356	4	Tire - 18 x 625 Turf/Sand (1 per assembly)	
102	4641122	4	Valve, Air (1 per assembly)	
103	1001246001	4	Wheel (1 per assembly)	

# SECTION 5 - DRIVE TRAIN

## FIGURE 5-71. TIRE/WHEEL SET 360/85-28 - SOLID



ART\_1001221504-A



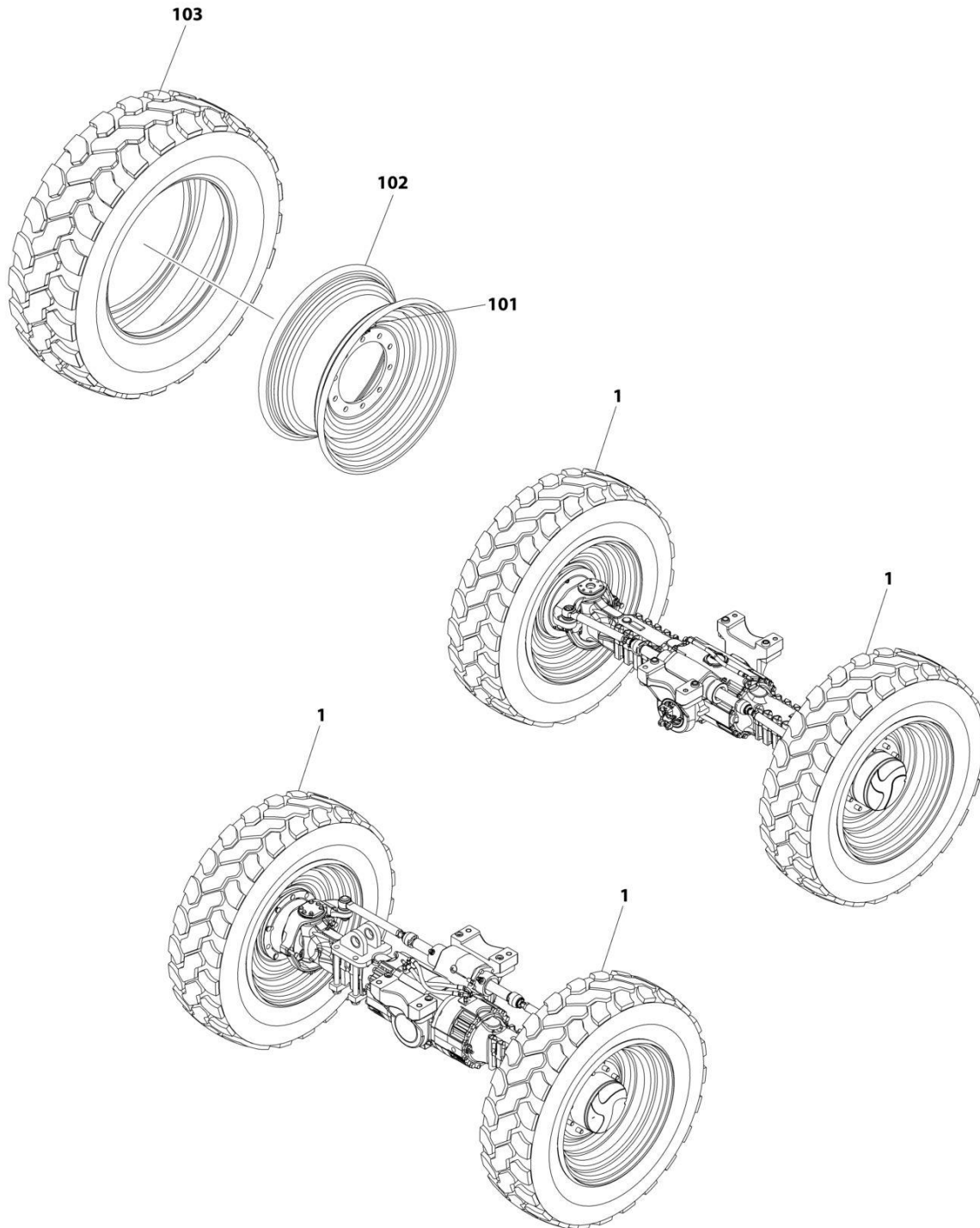
## SECTION 5 - DRIVE TRAIN

**FIGURE 5-71. TIRE/WHEEL SET 360/85-28 - SOLID**

ITEM	PART NUMBER	QTY	DESCRIPTION	REV
1	1001221504	Ref	Tire/Wheel Set 360/85-28 - Solid	A
	1001213200J	4	Tire/Wheel Solid 360/85-28/10 - 1M Offset	

# SECTION 5 - DRIVE TRAIN

FIGURE 5-72. TIRE/WHEEL SET 400/75-28 - AIR



ART\_1001121109

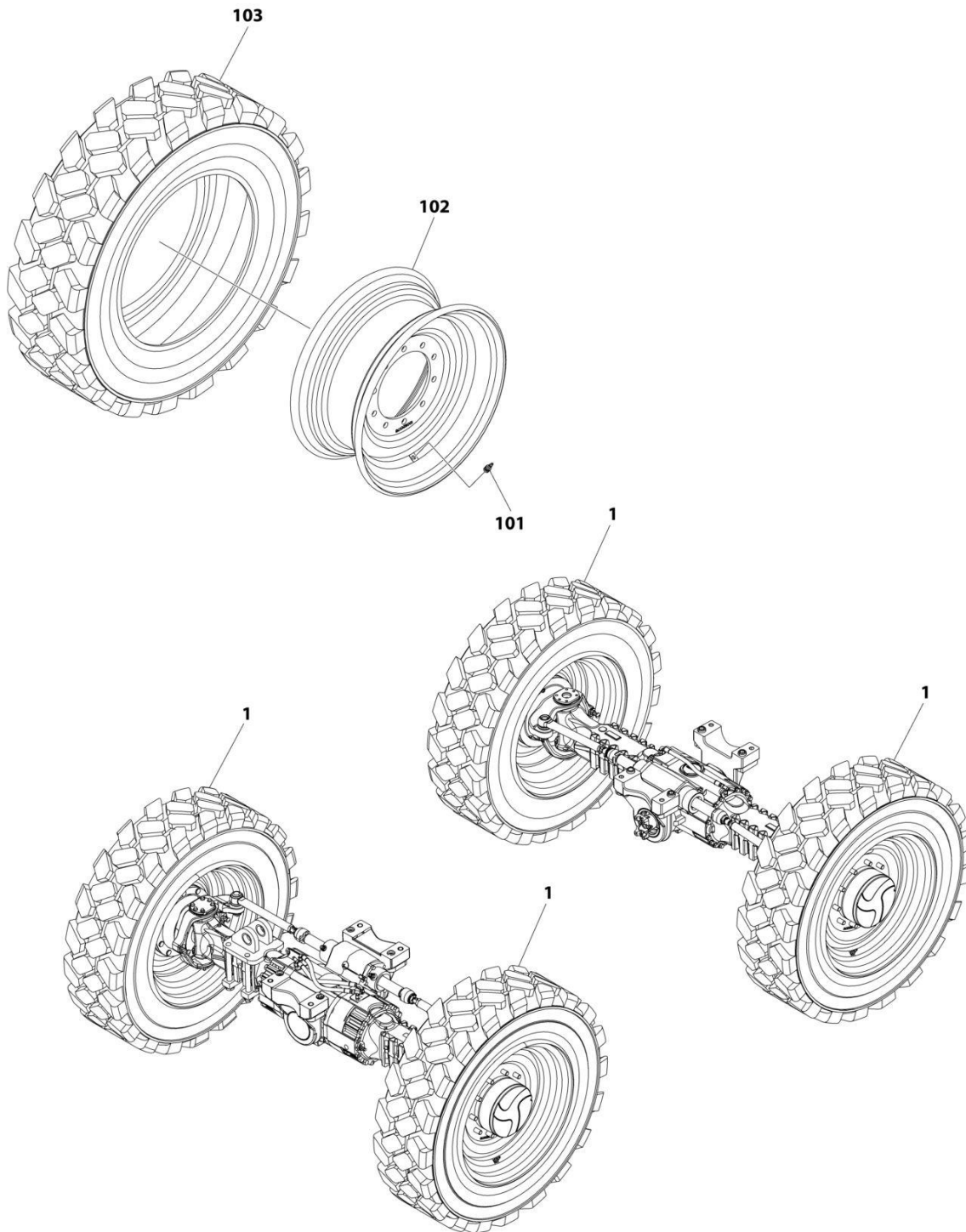
## SECTION 5 - DRIVE TRAIN

FIGURE 5-72. TIRE/WHEEL SET 400/75-28 - AIR

ITEM	PART NUMBER	QTY	DESCRIPTION	REV
	1001121109	Ref	TIRE/WHEEL SET 400/75-28 - AIR	B
1	1001121103	4	Assembly, Tire/Wheel 400/75-28 - Air	
101	8786514	4	Valve, Stem (1 per assembly)	
102	1001120178	4	Wheel, 28.00 x 12W/0.75 Offset (1 per assembly)	
103	1001120179	4	Tire, 400/75D-28 (1 per assembly)	

# SECTION 5 - DRIVE TRAIN

FIGURE 5-73. TIRE/WHEEL SET - 400/75-28 - PNEUMATIC NON MARKING



ART\_1001241848

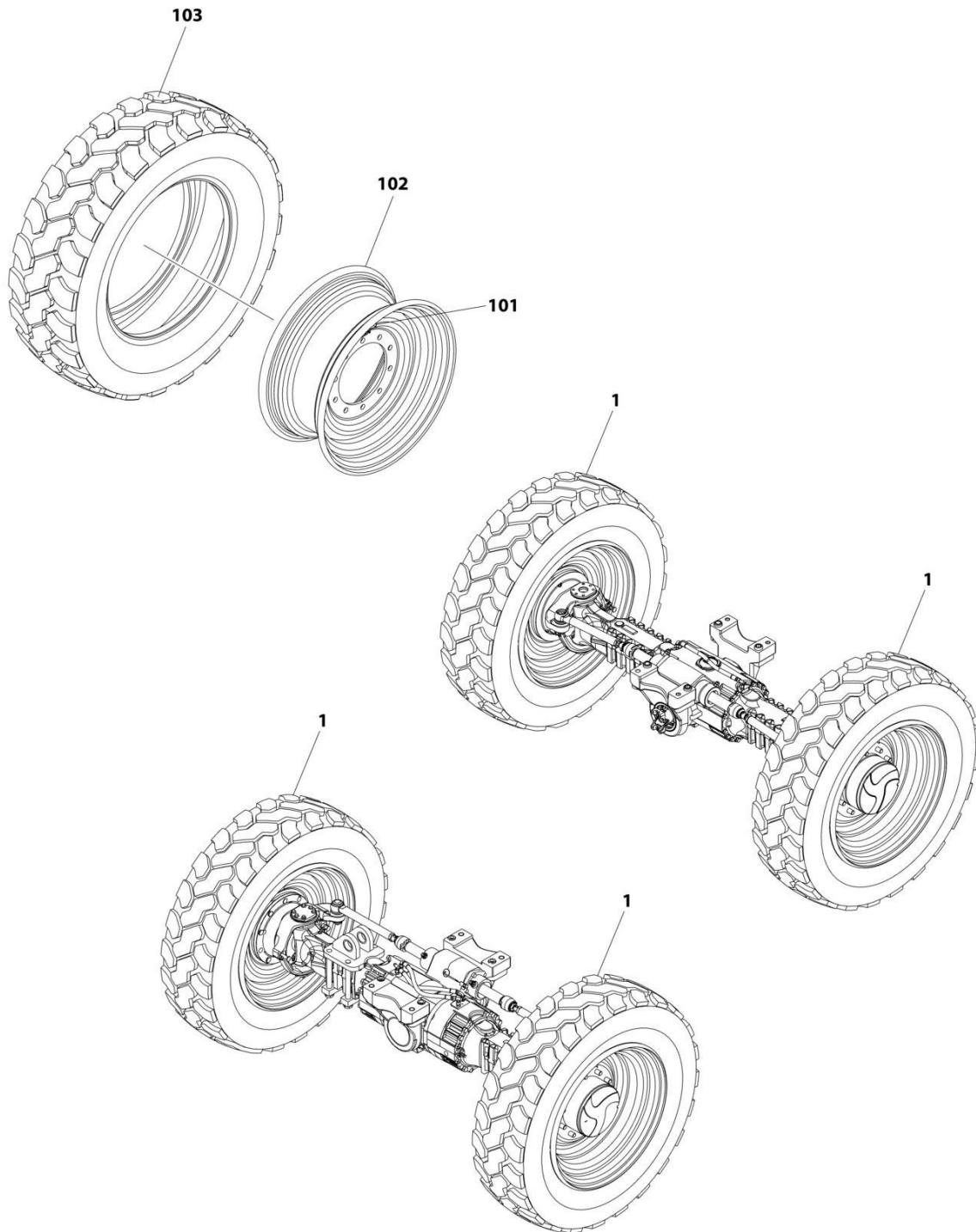
## SECTION 5 - DRIVE TRAIN

**FIGURE 5-73. TIRE/WHEEL SET - 400/75-28 - PNEUMATIC NON MARKING**

ITEM	PART NUMBER	QTY	DESCRIPTION	REV
	1001241848	Ref	TIRE/WHEEL SET - 400/75-28 - PNEUMATIC NON MARKING	A
1	1001241841	4	Assembly, Tire and Wheel - 400/75-28 - Pneumatic Non-Marking	
101	8786514	4	Valve, Air (1 per assembly)	
102	1001120178	4	Wheel (1 per assembly)	
103	1001241837	4	Tire 400/75-28 Non-Marking (1 per assembly)	

# SECTION 5 - DRIVE TRAIN

FIGURE 5-74. TIRE/WHEEL SET 400/75-28 - FOAM FILLED



ART\_1001125410

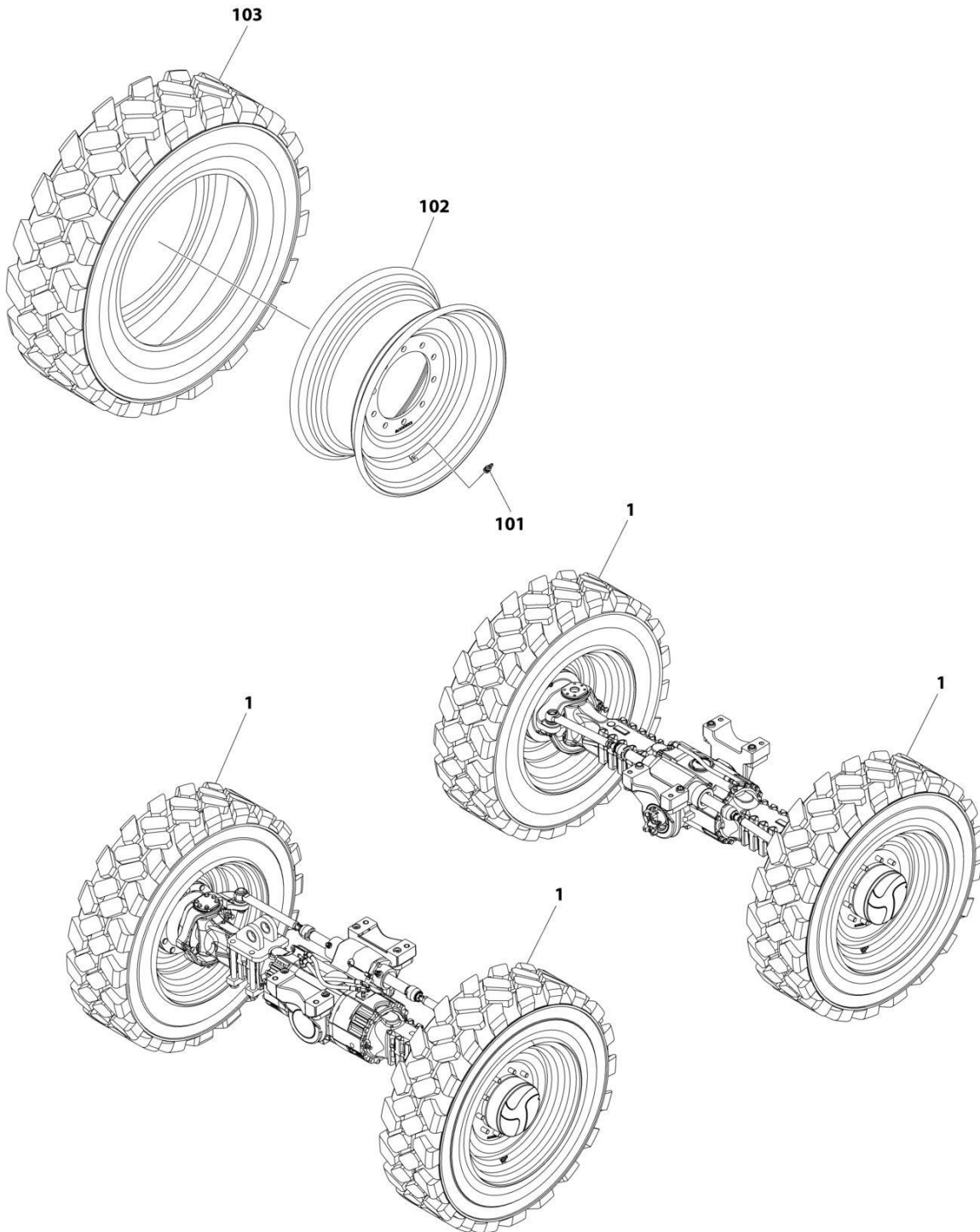
## SECTION 5 - DRIVE TRAIN

**FIGURE 5-74. TIRE/WHEEL SET 400/75-28 - FOAM FILLED**

ITEM	PART NUMBER	QTY	DESCRIPTION	REV
	1001125410	1	TIRE/WHEEL SET 400/75-28 - FOAM FILLED	B
		Ref	Note: Assemblies require ballast/foam filling to manufacture's specifications prior to installing on machine. Refer to Operation & Safety or Service & Maintenance Manuals.	
		Ref	Purchase individual tire and/or wheel only if able to foam fill tire & wheel assembly, otherwise purchase complete assembly.	
1	1001121105	4	Tire/Wheel 400/75-28 Foam	
101	8786514	4	Valve, Stem (1 per assembly)	
102	1001120178	4	Wheel, 28.00 x 12 W/0.75 Offset (1 per assembly)	
103	1001120179	4	Tire, 400/75D-28 (1 per assembly)	

# SECTION 5 - DRIVE TRAIN

FIGURE 5-75. TIRE/WHEEL SET 400/75-28 - FOAM FILLED NON MARKING



ART\_1001241849



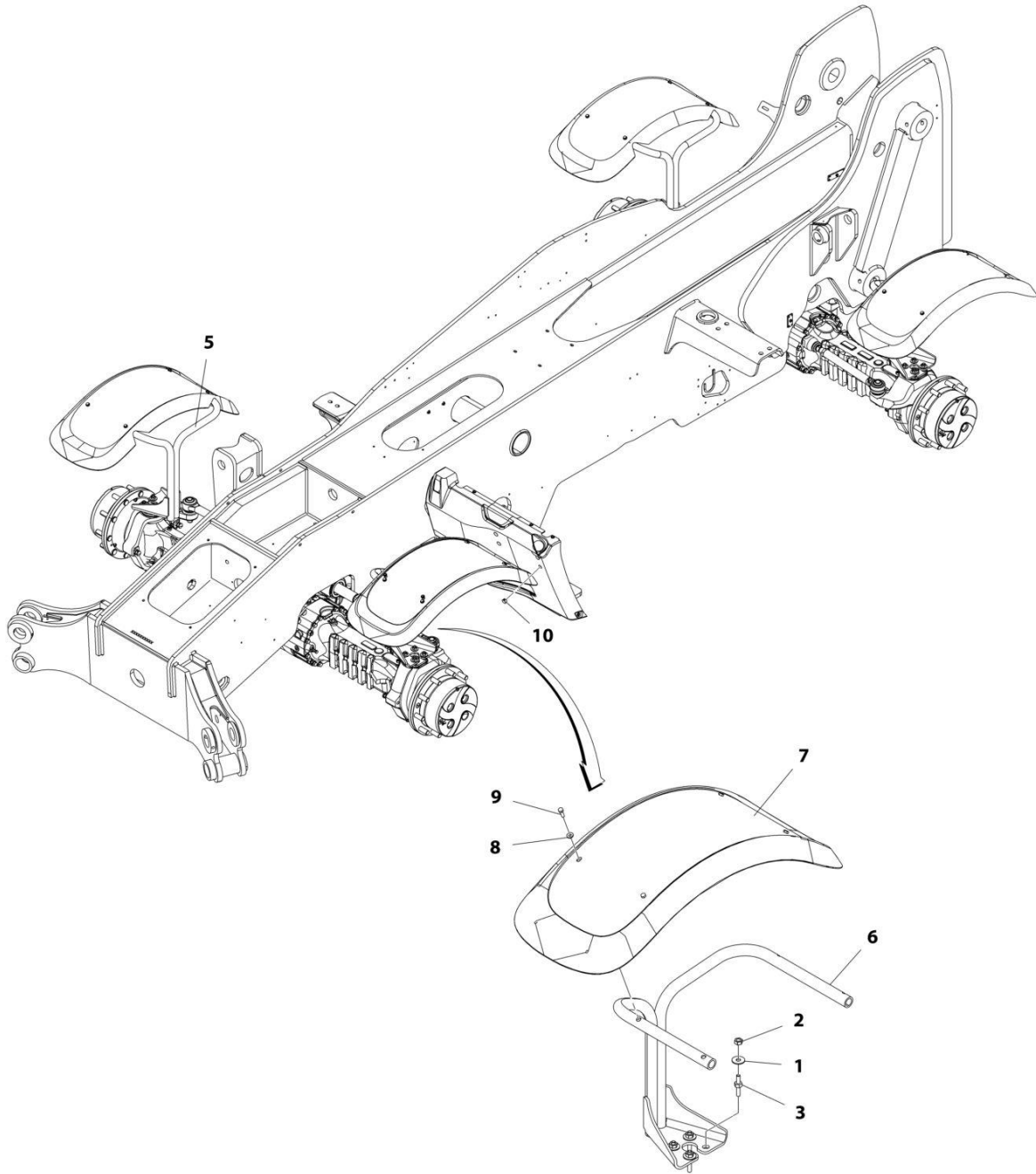
## SECTION 5 - DRIVE TRAIN

**FIGURE 5-75. TIRE/WHEEL SET 400/75-28 - FOAM FILLED NON MARKING**

ITEM	PART NUMBER	QTY	DESCRIPTION	REV
	1001241849	Ref	TIRE/WHEEL SET 400/75-28 - FOAM FILLED NON MARKING	A
		Ref	<b>Note: Assemblies require ballast/foam filling to manufacture's specifications prior to installing on machine. Refer to Operation &amp; Safety or Service &amp; Maintenance Manuals.</b>	
		Ref	<b>Purchase individual tire and/or wheel only if able to foam fill tire &amp; wheel assembly, otherwise purchase complete assembly.</b>	
1	1001241842	4	Tire and Wheel Assembly	
101	8786514	4	Valve, Air (1 per assembly)	
102	1001120178	4	Wheel (1 per assembly)	
103	1001241837	4	Tire 400/75-28 Non-Marking (1 per assembly)	

# SECTION 5 - DRIVE TRAIN

## FIGURE 5-76. FENDER INSTALLATION



ART\_1001171242-E

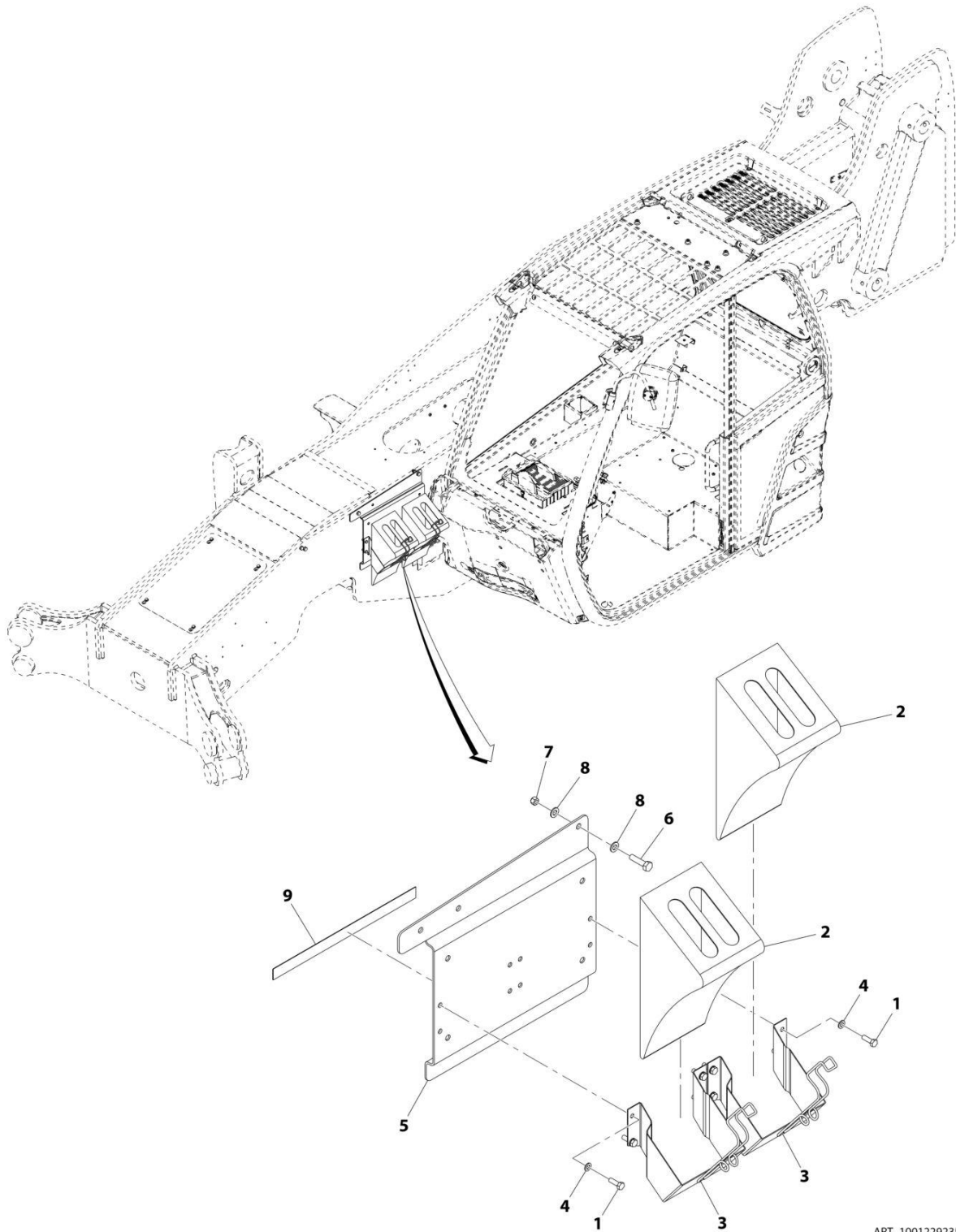
## SECTION 5 - DRIVE TRAIN

### FIGURE 5-76. FENDER INSTALLATION

ITEM	PART NUMBER	QTY	DESCRIPTION	REV
	1001171242	Ref	Fender Installation	E
1	4812102	16	Washer, M12	
2	91513266	16	Nut, M12X1.25	
3	91514118	16	Stud, Fender	
5	1001202513	2	RH Bracket	
6	1001202512	2	LH Bracket	
7	1001168264	4	Fender	
8	1001202786	16	Washer	
9	0760812	16	Screw, M8X25	
10	1001208338	4	Plug	

# SECTION 5 - DRIVE TRAIN

## FIGURE 5-77. WHEEL CHOCK INSTALLATION



ART\_1001229235-B

## SECTION 5 - DRIVE TRAIN

### FIGURE 5-77. WHEEL CHOCK INSTALLATION

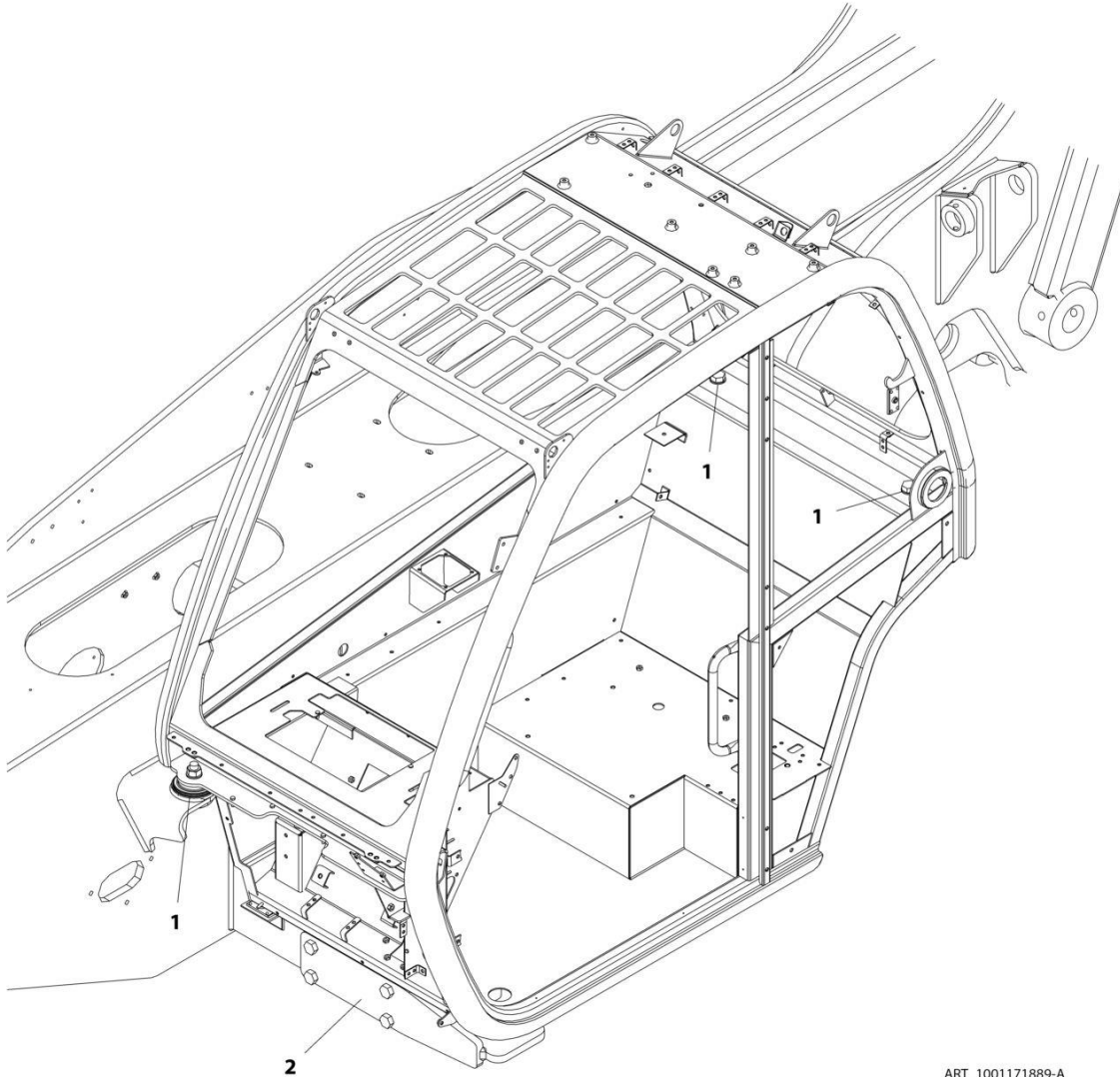
ITEM	PART NUMBER	QTY	DESCRIPTION	REV
	1001229235	Ref	Wheel Chock Installation (If equipped)	B
1	0700812	8	Screw, 8X25 LG	
2	806253	2	Wedge	
3	806264	2	Holder	
4	4811900	8	Washer, 8mm	
5	1001230713J	1	Bracket	
6	0701016	1	Bolt, M10X40	
7	3290805	1	Nut, Lock M8X1.25	
8	4812000	2	Washer, M10	
9	1001165978	380 mm	Adhesive	



**SECTION 6 - CAB**

# SECTION 6 - CAB

## FIGURE 6-1. CAB MOUNTING



ART\_1001171889-A

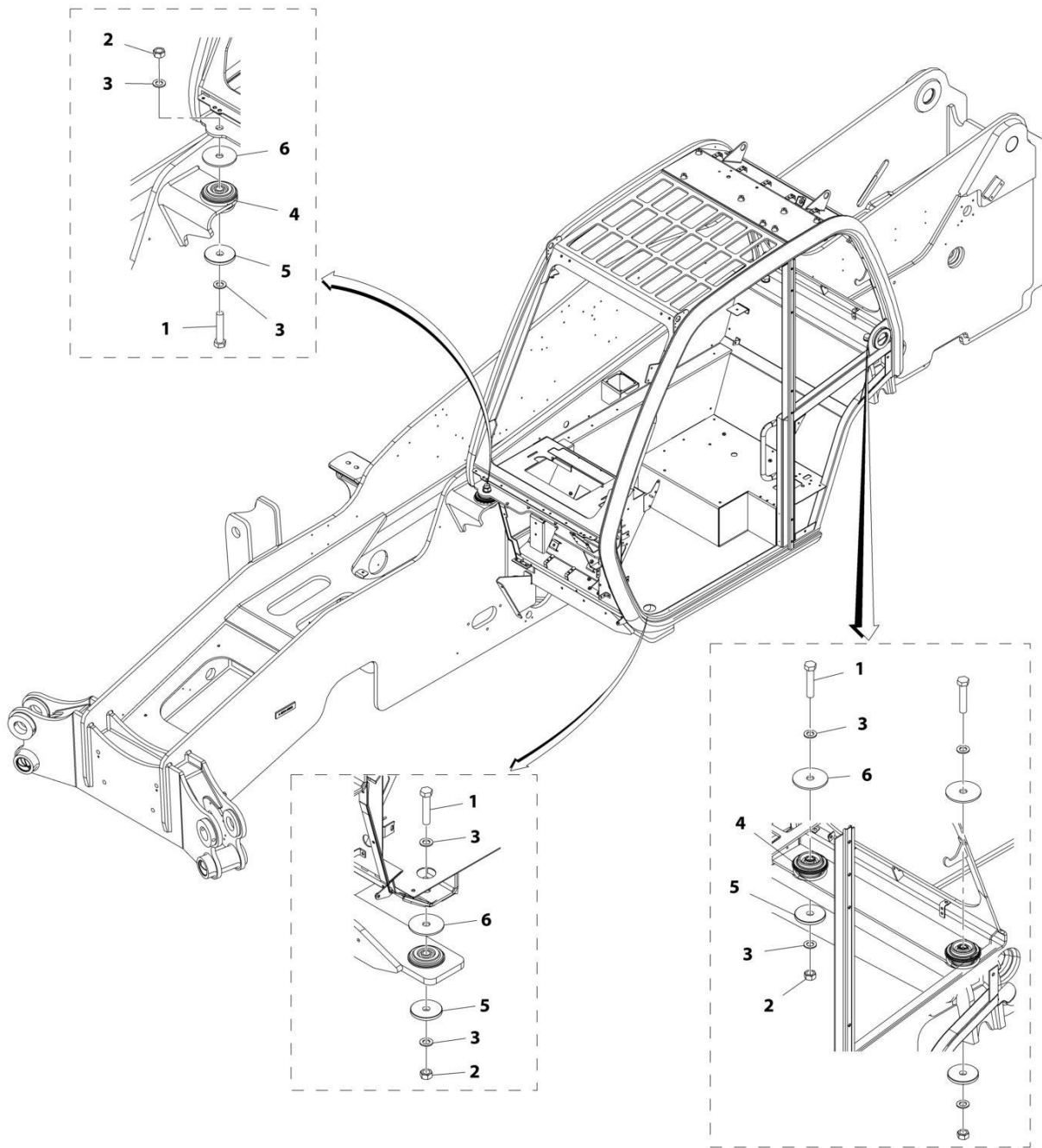


**FIGURE 6-1. CAB MOUNTING**

<b>ITEM</b>	<b>PART NUMBER</b>	<b>QTY</b>	<b>DESCRIPTION</b>	<b>REV</b>
	1001171889	Ref	Cab Mounting	A
1	1001155446	1	Installation, Cab Mounts (See Separate Breakdown in this Section)	
2	1001171890	1	Installation, Front Cab Outrigger (See Separate Breakdown in this Section)	

# SECTION 6 - CAB

## FIGURE 6-2. CAB MOUNTS INSTALLATION



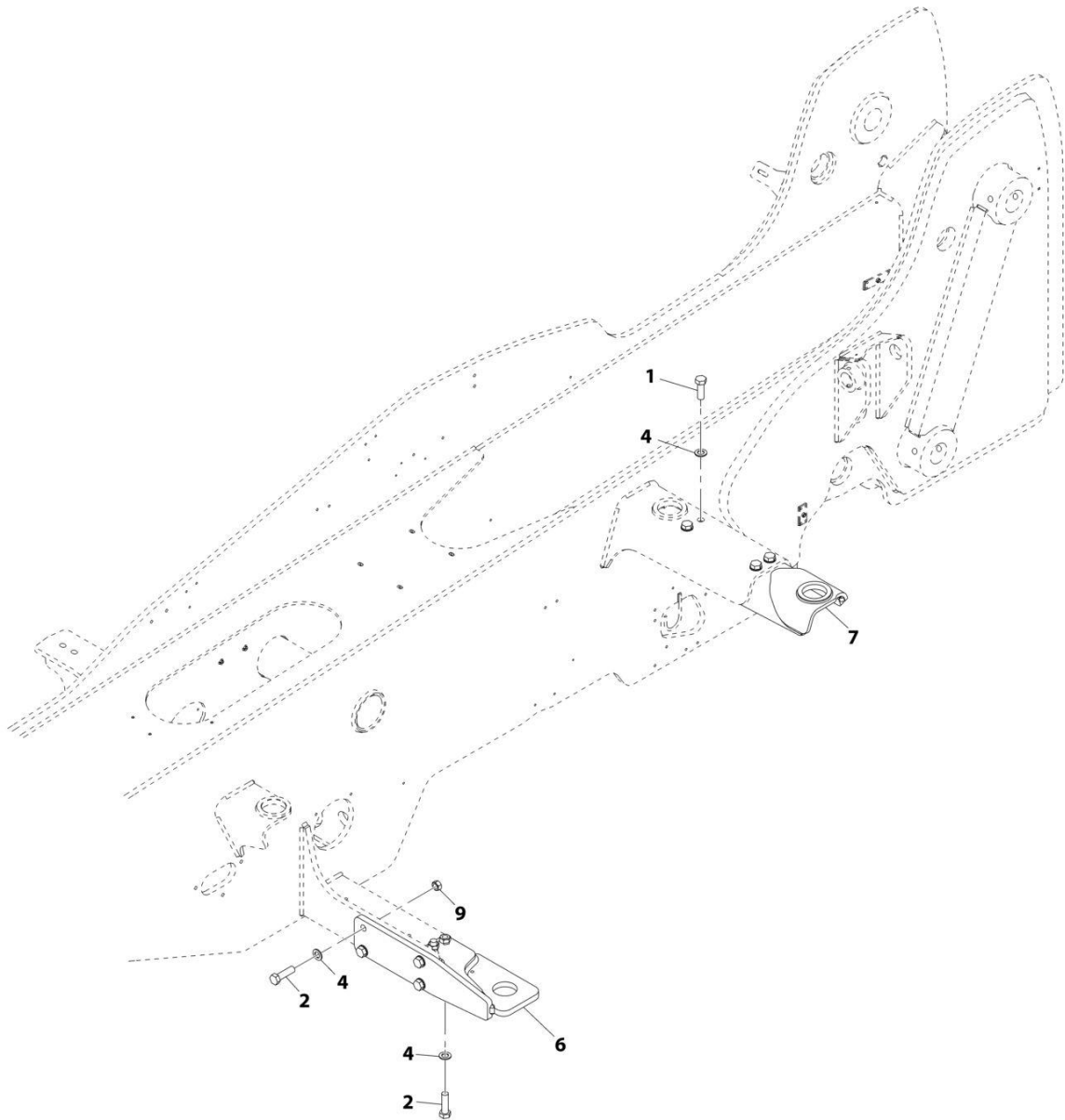
ART\_1001155446-E

FIGURE 6-2. CAB MOUNTS INSTALLATION

ITEM	PART NUMBER	QTY	DESCRIPTION	REV
	1001155446	Ref	Cab Mounts Installation	E
1	0712027	4	Bolt, M20X100	
2	3332011	4	Nut, M20X2.5	
3	4812500	8	Washer, M20	
4	1001166754	4	Mount, Cab Isolation	
5	1001166755	4	Washer, Cab Rebound	
6	1001220540	4	Washer, Cab Mount	

# SECTION 6 - CAB

## FIGURE 6-3. FRONT CAB OUTRIGGER INSTALLATION



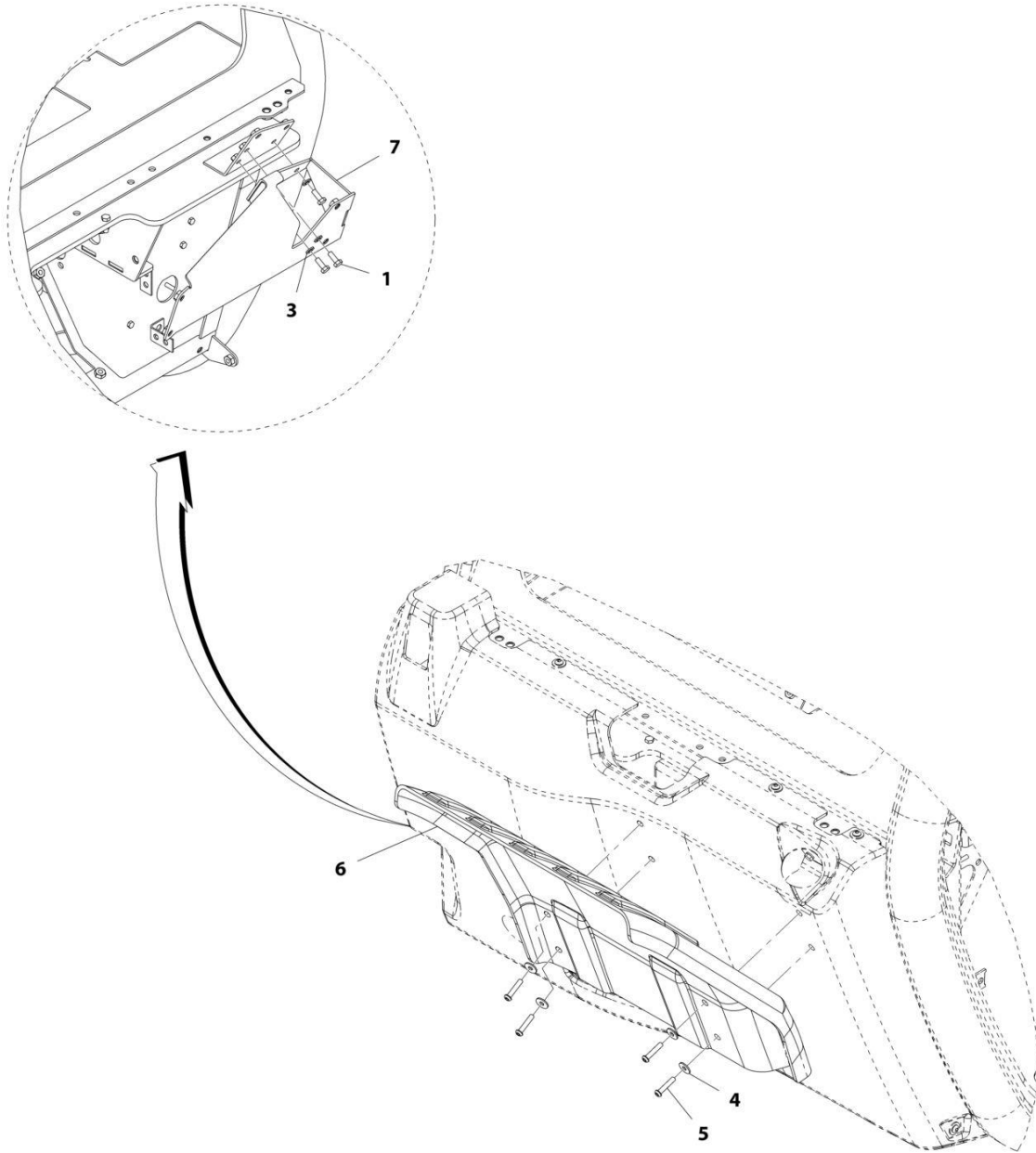
ART\_1001171890-E

FIGURE 6-3. FRONT CAB OUTRIGGER INSTALLATION

ITEM	PART NUMBER	QTY	DESCRIPTION	REV
	1001171890	Ref	Front Cab Outrigger Installation	E
1	0712020	4	Bolt, M20X60	
2	0712022	6	Bolt, M20X70	
4	4812500	10	Washer, M20	
6	1001208106	1	Bracket, Front Lower Cab	
7	1001210782	1	Bracket, Rear Cab Mount	
9	3292001	4	Hex Nut, M20X2.5	

# SECTION 6 - CAB

## FIGURE 6-4. CAB FENDER INSTALLATION



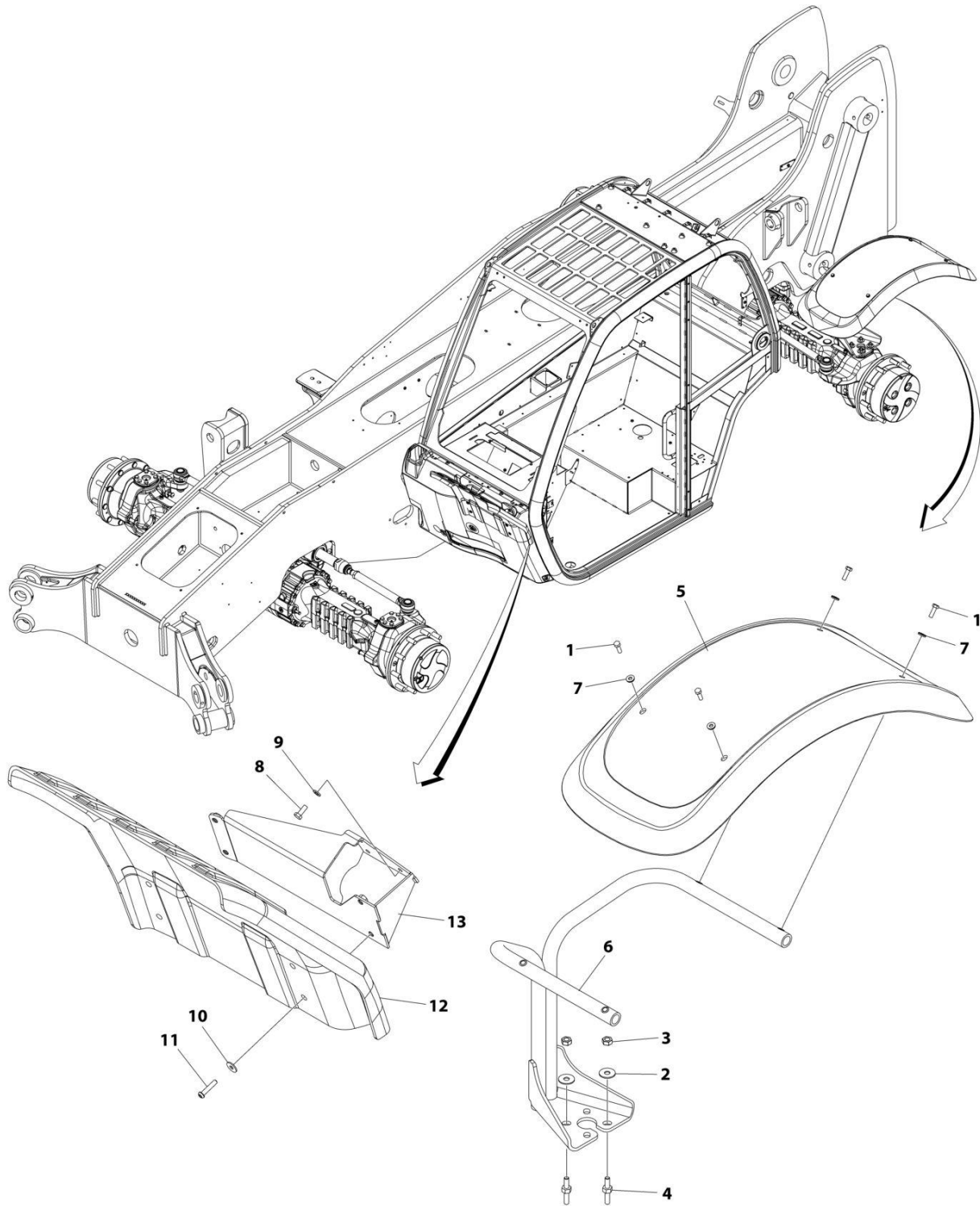
ART\_1001195972-C

FIGURE 6-4. CAB FENDER INSTALLATION

ITEM	PART NUMBER	QTY	DESCRIPTION	REV
	1001195972	Ref	Cab Fender Installation	C
1	0760608	3	Bolt, M6X16	
3	4811700	3	Washer, M6	
4	4811702	4	Washer, M6	
5	1001097202	4	Screw, M6X30	
6	1001187335	1	Fender, Front	
7	1001188048	1	Plate	

# SECTION 6 - CAB

## FIGURE 6-5. CAB FENDER INSTALLATION REAR (LH)



ART\_1001236542\_B

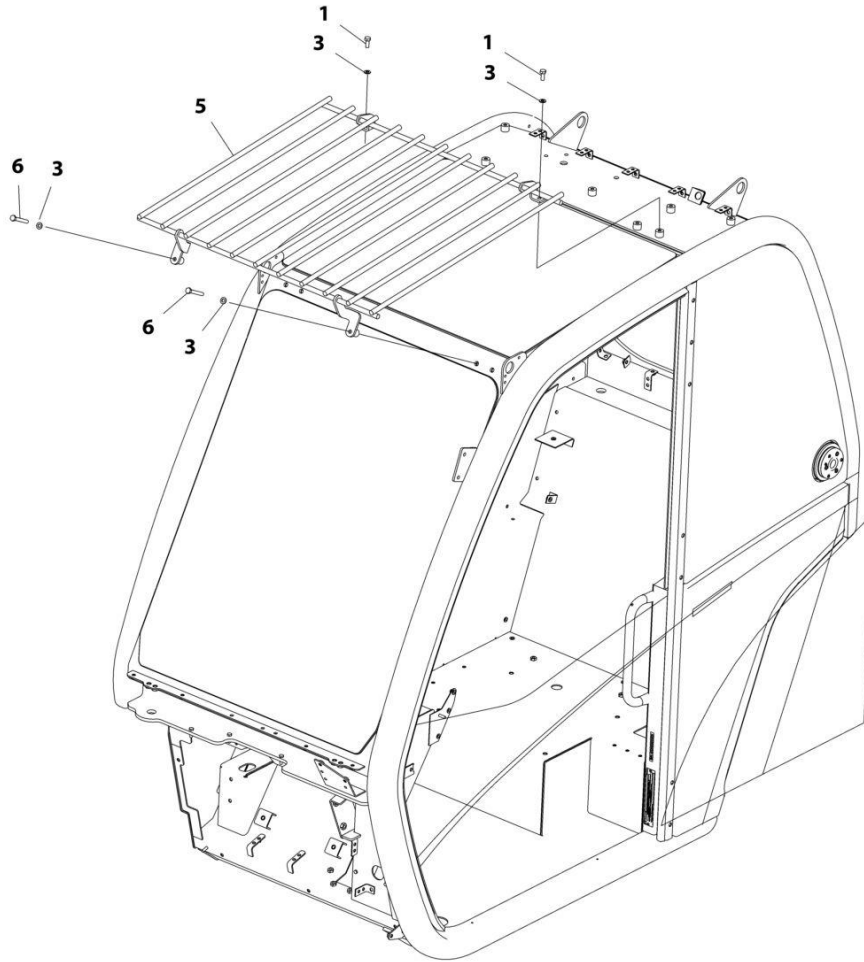


FIGURE 6-5. CAB FENDER INSTALLATION REAR (LH)

ITEM	PART NUMBER	QTY	DESCRIPTION	REV
	1001236542	Ref	Cab Fender Installation Rear (LH)	B
1	0760812	4	Bolt, M8X25	
2	4812102	4	Washer, M12	
3	91513266	4	Nut, M12X1.25	
4	91514118	4	Stud	
5	1001168264	1	Fender	
6	1001202512	1	Bracket	
7	1001202786	4	Washer	
8	0760608	3	Bolt M6 x 16	
9	4811700	3	Washer M6	
10	4811702	4	Washer M6	
11	1001097202	4	Bolt M6 x 30	
12	1001187335	1	Fender, Front	
13	1001188048	1	Plate	

# SECTION 6 - CAB

## FIGURE 6-6. CAB GUARD INSTALLATION (TOP)



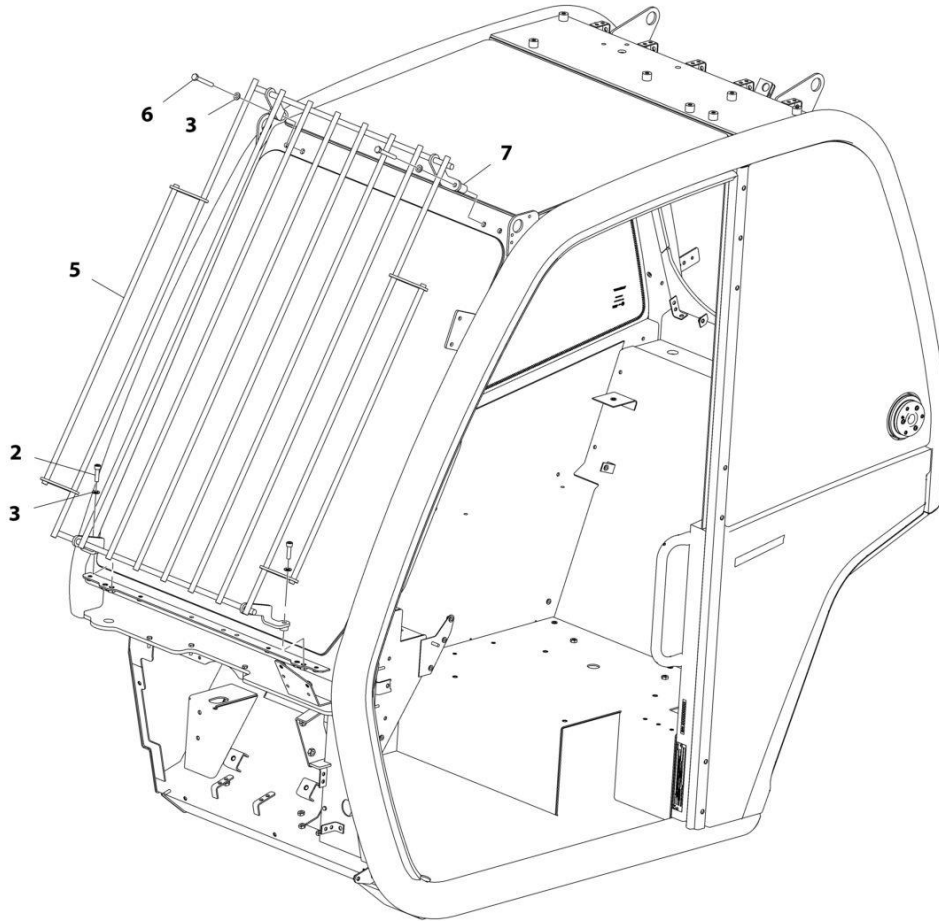
ART\_1001160496

FIGURE 6-6. CAB GUARD INSTALLATION (TOP)

ITEM	PART NUMBER	QTY	DESCRIPTION	REV
	1001160496	Ref	Cab Guard Installation (Top)	G
1	0760810	2	Bolt, M8X20	
3	4811900	4	Washer, M8	
5	1001160503	1	Guard, Top Screen	
6	0700820	2	Bolt, M8X60	

# SECTION 6 - CAB

## FIGURE 6-7. CAB GUARD INSTALLATION (FRONT)



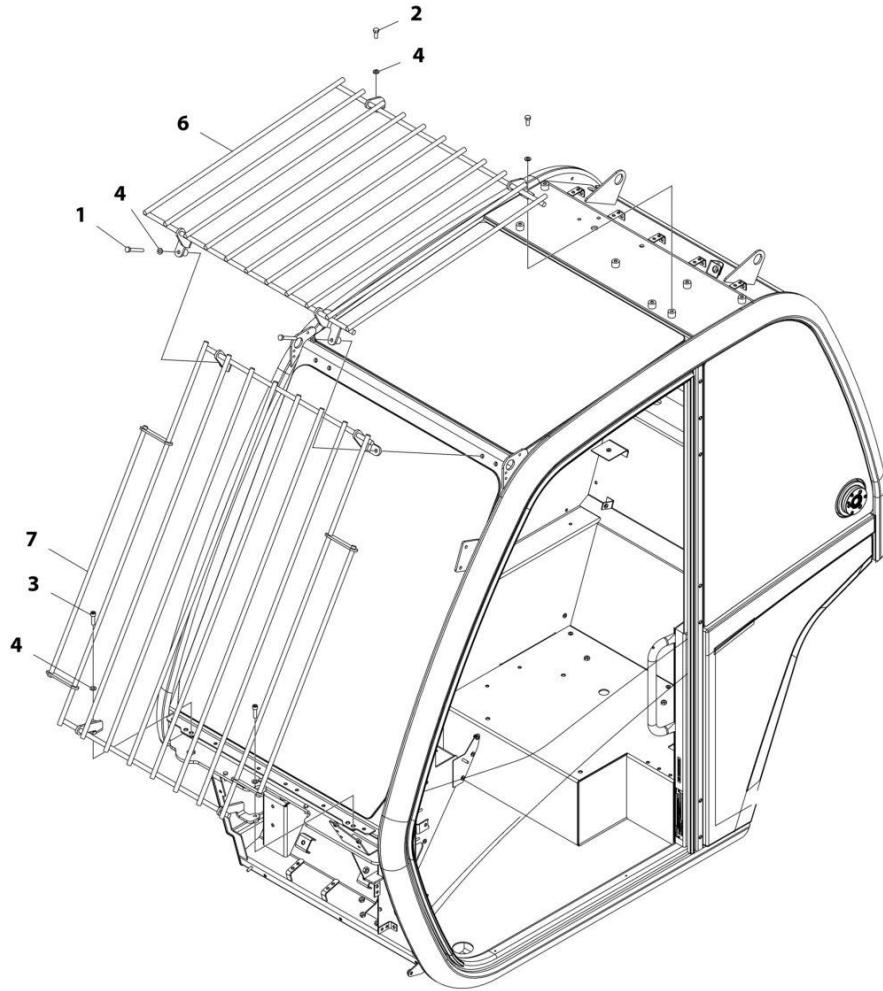
ART\_1001160506-G

FIGURE 6-7. CAB GUARD INSTALLATION (FRONT)

ITEM	PART NUMBER	QTY	DESCRIPTION	REV
	1001160506	Ref	Cab Guard Installation (Front)	G
2	4031910	2	Bolt, M8X30	
3	4811900	4	Washer, M8	
5	1001180263	1	Guard, Front Screen	
6	0700820	2	Bolt, M8X60	
7	1001173257	2	Spacer	

# SECTION 6 - CAB

## FIGURE 6-8. CAB GUARD INSTALLATION (TOP AND FRONT)



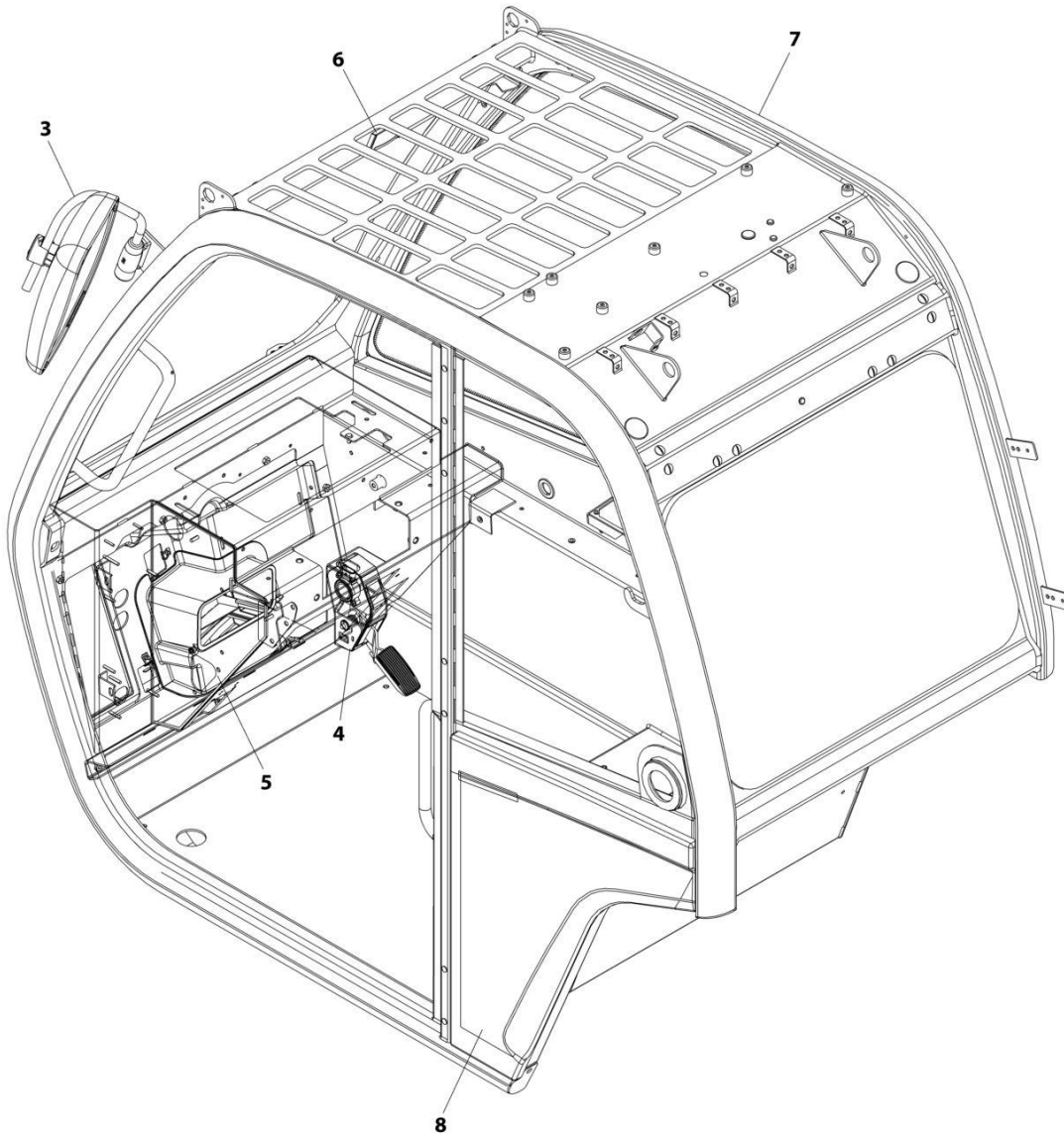
ART\_1001172774

FIGURE 6-8. CAB GUARD INSTALLATION (TOP AND FRONT)

ITEM	PART NUMBER	QTY	DESCRIPTION	REV
	1001172774	Ref	CAB GUARD INSTALLATION (TOP AND FRONT)	G
1	0700820	2	Bolt M8 x 60	
2	0760810	2	Bolt M8 x 20	
3	4031910	2	Bolt M8 x 30	
4	4811900	6	Washer M8	
6	1001160503	1	Guard, Top Screen	
7	1001180263	1	Guard, Front Screen	

# SECTION 6 - CAB

## FIGURE 6-9. OROPS CAB INSTALLATION



ART\_1001154984\_I

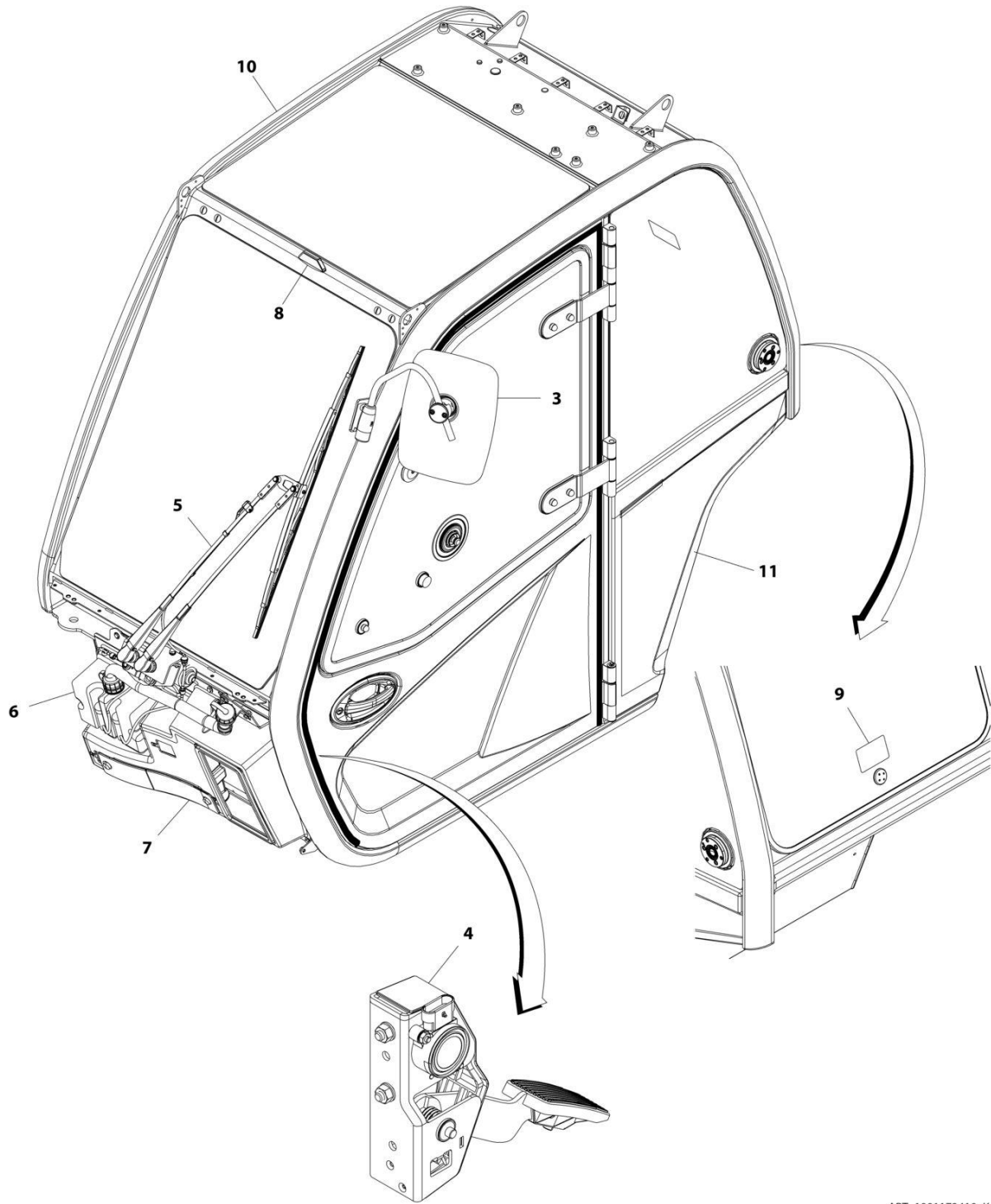


FIGURE 6-9. OROPS CAB INSTALLATION

ITEM	PART NUMBER	QTY	DESCRIPTION	REV
	1001154984	Ref	OROPS Cab Installation	1
3	1001160508	Ref	Installation, Mirror (See Separate Breakdown in this Section)	
4	1001161499	Ref	Installation, Accelerator Pedal (See Separate Breakdown in Controls Section)	
5	1001170366	Ref	Installation, Front Cover (See Separate Breakdown in this Section)	
6	1001172401	Ref	Installation, Level Indicator (See Separate Breakdown in this Section)	
7	1001214326	Ref	Cab (See Separate Breakdown in this Section)	
8	1001214331	Ref	Installation, Open Cab (See Separate Breakdown in this Section)	

# SECTION 6 - CAB

## FIGURE 6-10. EROPS CAB INSTALLATION



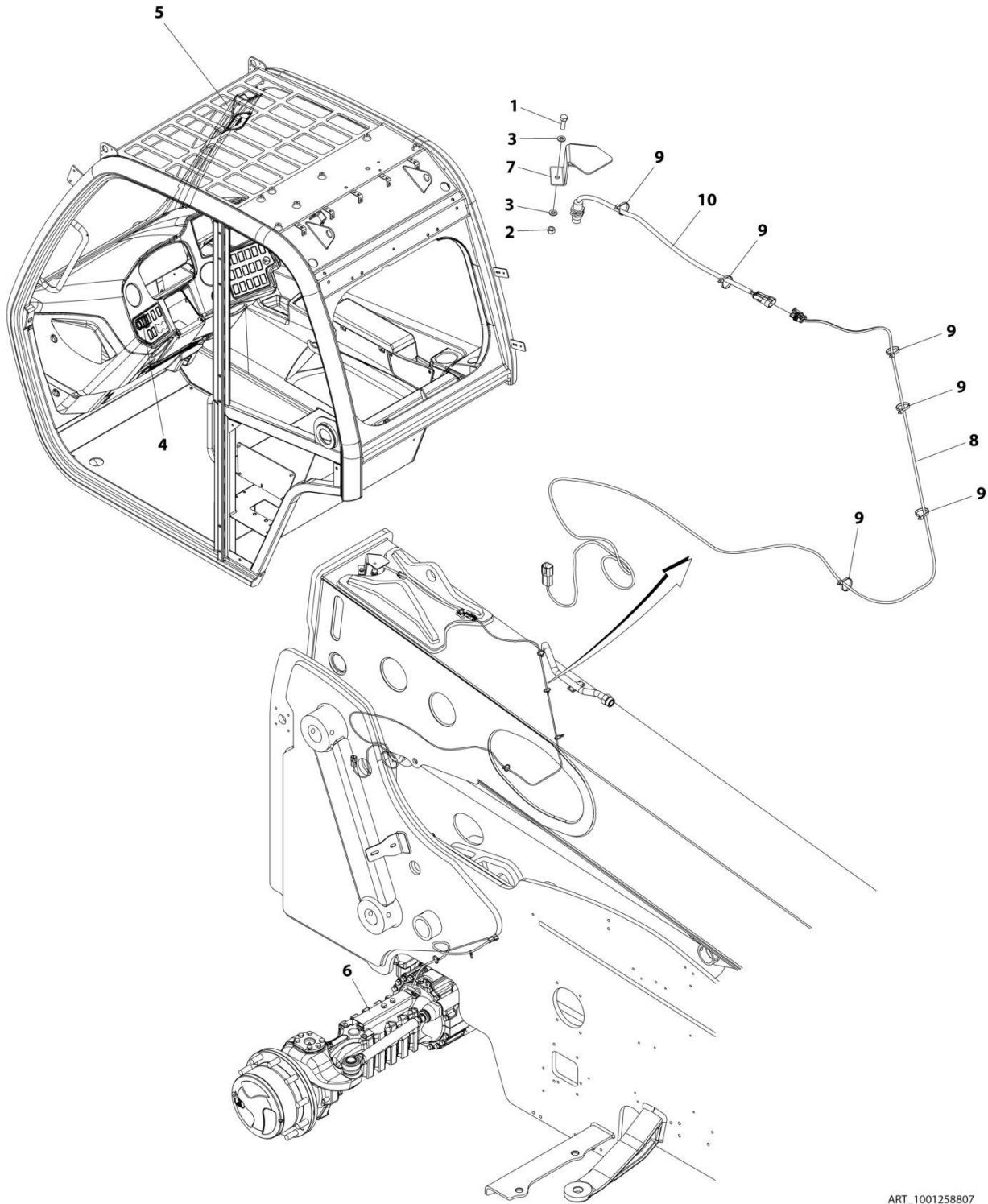
ART\_1001173419\_K

**FIGURE 6-10. EROPS CAB INSTALLATION**

ITEM	PART NUMBER	QTY	DESCRIPTION	REV
	1001173419	Ref	EROPS CAB INSTALLATION	K
3	1001160508	Ref	Installation, Mirror (See Separate Breakdown in this Section)	
4	1001161499	Ref	Installation, Accelerator Pedal (See Separate Breakdown in Controls Section)	
5	1001155447	Ref	Installation, Front Wiper (See Separate Breakdown in this Section)	
6	1001162789	Ref	Installation, Washer Tank (See Separate Breakdown in this Section)	
7	1001170366	Ref	Installation, Front Cover (See Separate Breakdown in this Section)	
8	1001172401	Ref	Installation, Level Indicator (See Separate Breakdown in this Section)	
9	1001204598	1	Decal, Emergency Exit	
10	1001214326	Ref	Cab (See Separate Breakdown in this Section)	
11	1001214332	Ref	Installation, Enclosed Cab (See Separate Breakdown in this Section)	

# SECTION 6 - CAB

## FIGURE 6-11. LSI ENCLOSED CAB INSTALLATION



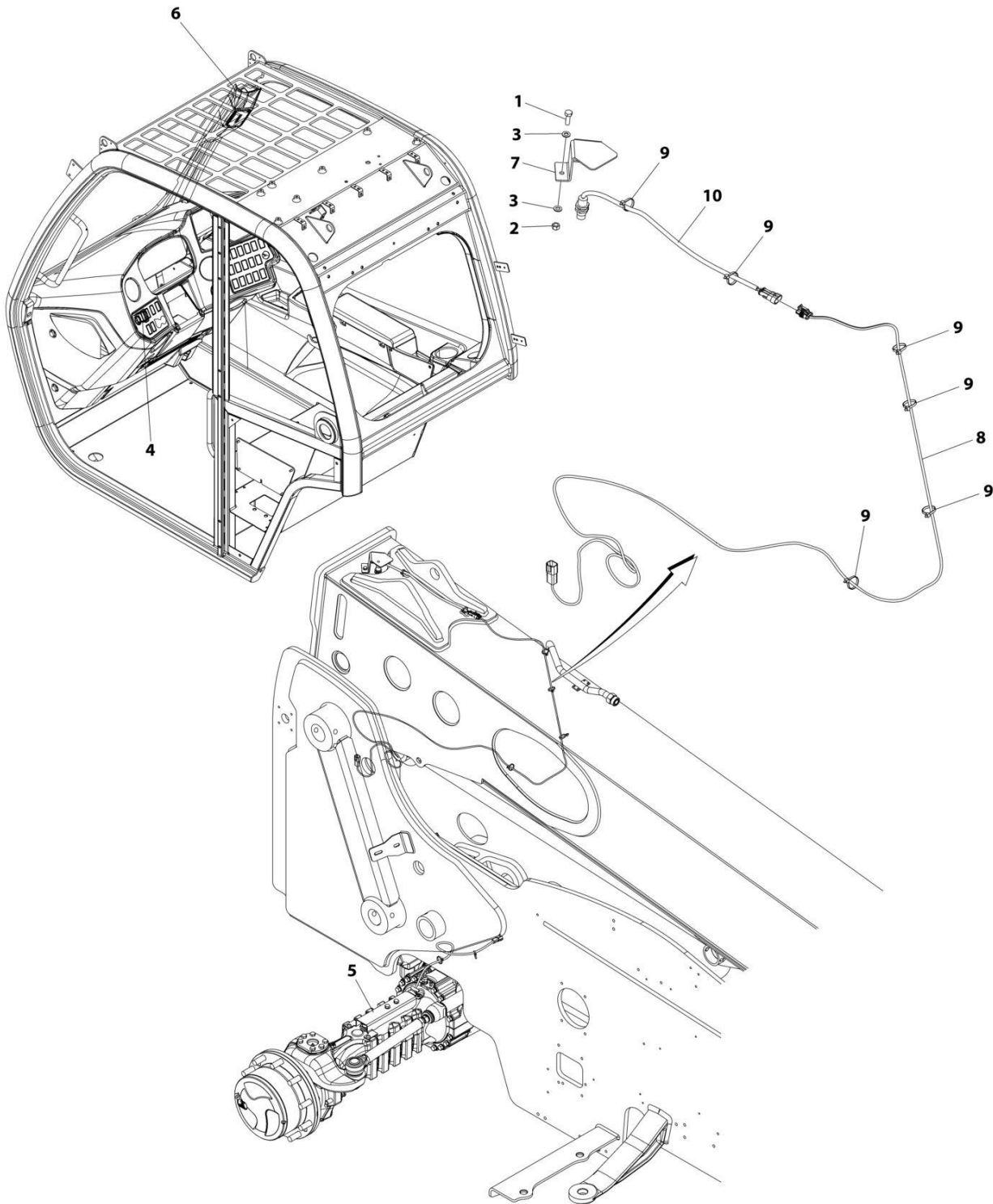
ART\_1001258807

FIGURE 6-11. LSI ENCLOSED CAB INSTALLATION

ITEM	PART NUMBER	QTY	DESCRIPTION	REV
	1001258807	Ref	LSI ENCLOSED CAB INSTALLATION	A
1	760812	2	Bolt M8 x 25	
2	3290805	2	Nut M8 x 1.25	
3	4811900	4	Washer M8	
4	1001159742	1	Switch, LSI Override	
5	1001207594	1	LSI Display Installation (See Separate Breakdown in this Section)	
6	1001258217	1	LSI Axle Sensor Installation (See Separate Breakdown in ELECTRICAL Section)	
7	1001258862	1	Plate	
8	1001259062	1	Harness, Boom Retract (See Separate Breakdown in ELECTRICAL Section)	
9	1001008559	AR	Strap	
10	1001183024	1	Sensor, Proximity	

# SECTION 6 - CAB

## FIGURE 6-12. LSI OPEN CAB INSTALLATION



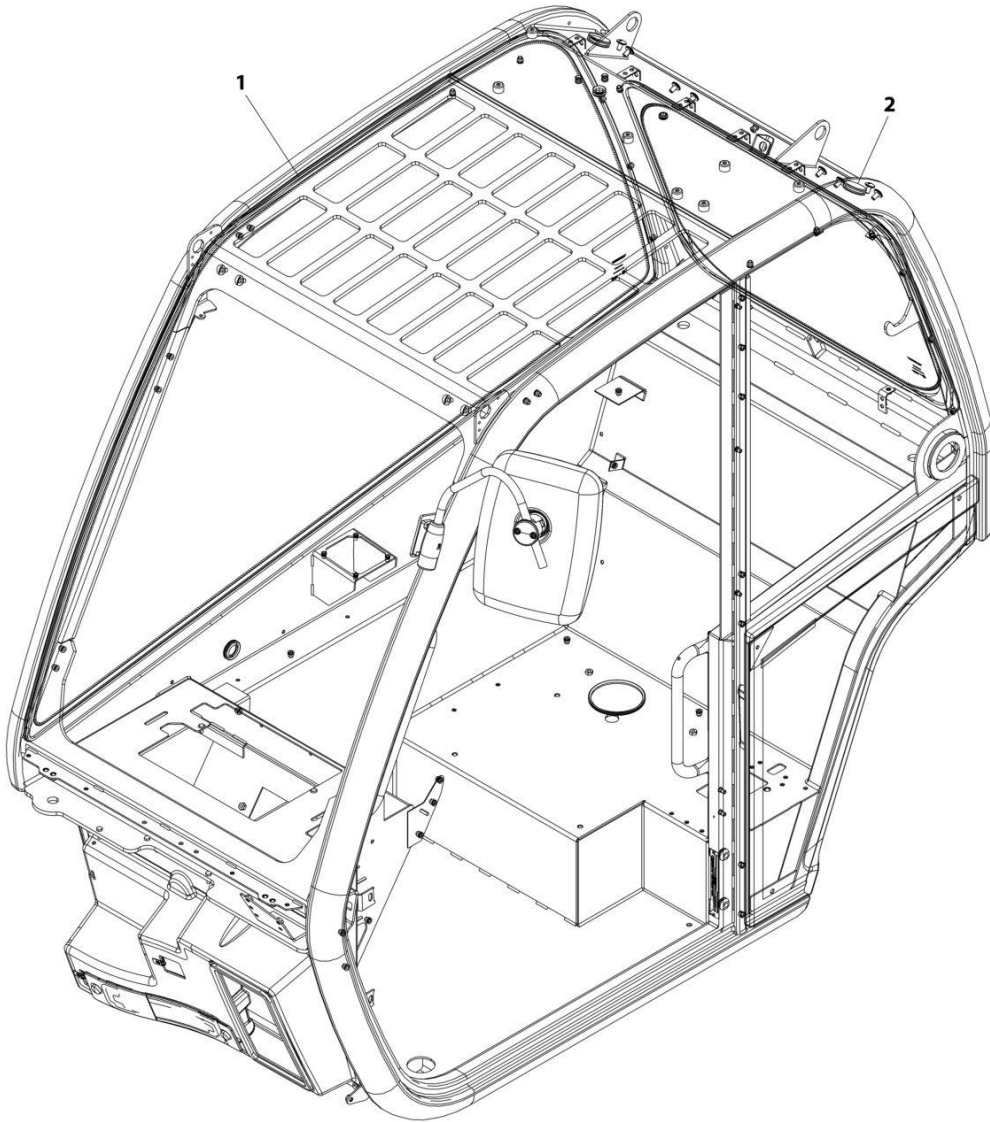
ART\_1001258806

FIGURE 6-12. LSI OPEN CAB INSTALLATION

ITEM	PART NUMBER	QTY	DESCRIPTION	REV
	1001258806	Ref	LSI OPEN CAB INSTALLATION	A
1	760812	2	Bolt M8 x 25	
2	3290805	2	Nut M8 x 1.25	
3	4811900	4	Washer M8	
4	1001159742	1	Switch, LSI Override	
5	1001258563	1	LSI Axle Sensor Installation (See Separate Breakdown in ELECTRICAL Section)	
6	1001258862	1	Plate	
7	1001259062	1	Harness, Boom Retract (See Separate Breakdown in ELECTRICAL Section)	
8	1001008559	AR	Strap	
9	1001183024	1	Sensor, Proximity	

# SECTION 6 - CAB

## FIGURE 6-13. CAB, TRIM KIT



ART\_1001214331\_E

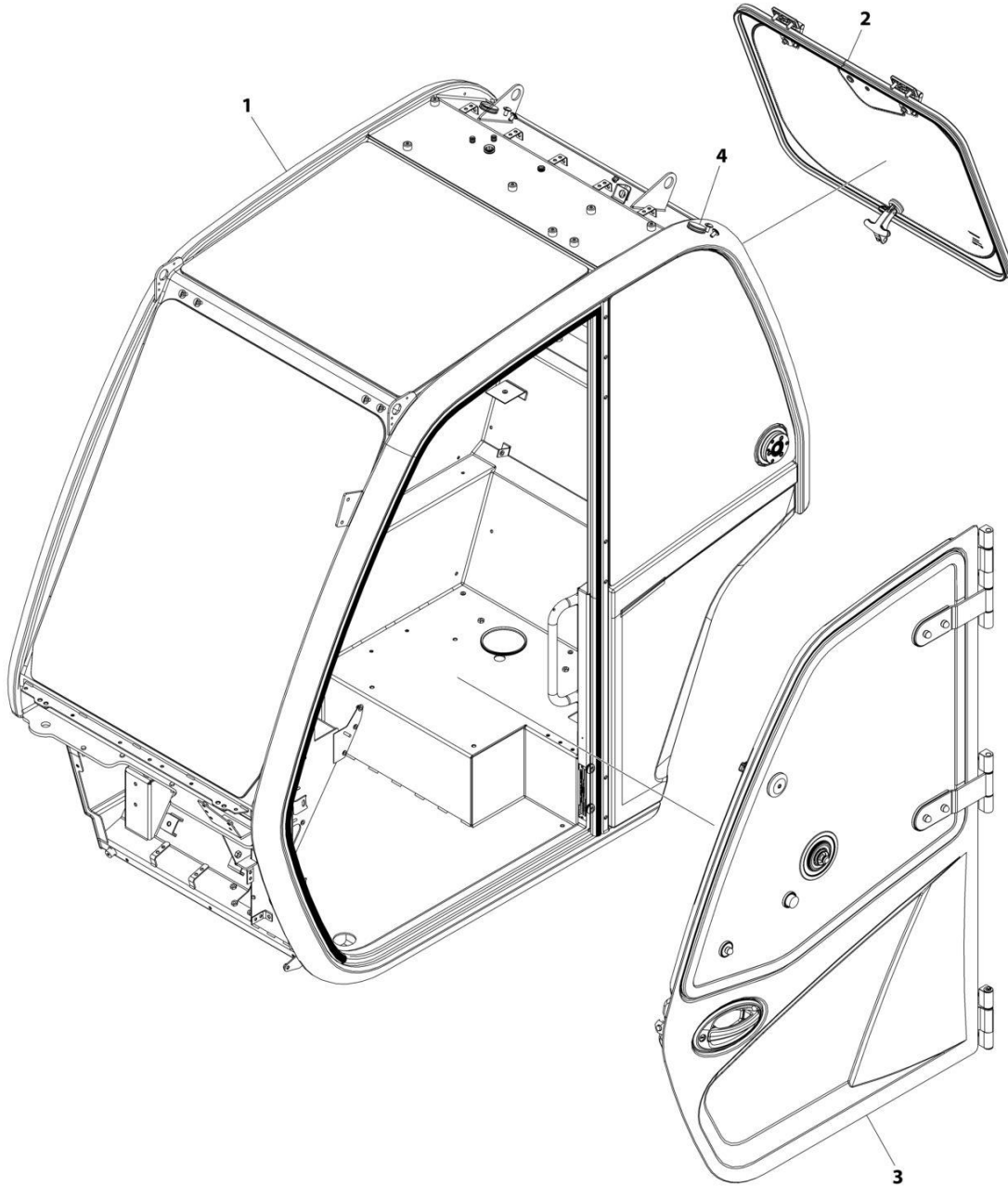


**FIGURE 6-13. CAB, TRIM KIT**

<b>ITEM</b>	<b>PART NUMBER</b>	<b>QTY</b>	<b>DESCRIPTION</b>	<b>REV</b>
	1001214331	Ref	Open Cab Installation	E
1	1001154721	1	Assembly, Open Cab (See Separate Breakdown in this Section)	
2	1001170495	1	Group, Open Cab Plug (See Separate Breakdown in this Section)	

# SECTION 6 - CAB

## FIGURE 6-14. CAB, TRIM KIT



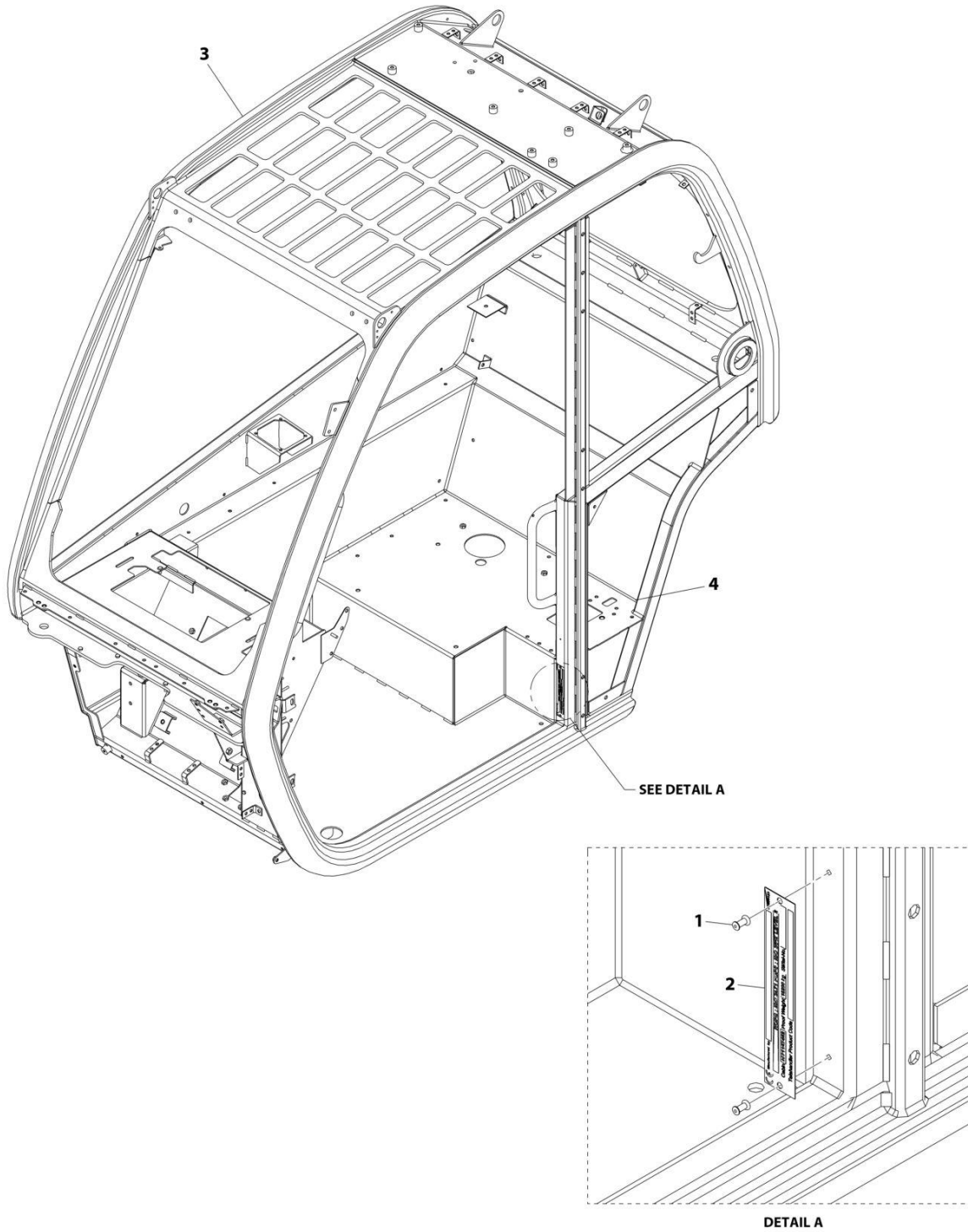
ART\_1001214332

**FIGURE 6-14. CAB, TRIM KIT**

<b>ITEM</b>	<b>PART NUMBER</b>	<b>QTY</b>	<b>DESCRIPTION</b>	<b>REV</b>
	1001214332	Ref	Enclosed Cab Installation	I
1	1001154365	1	Assembly, Enclosed Cab (See Separate Breakdown in this Section)	
2	1001170500	1	Installation, Rear Window (See Separate Breakdown in this Section)	
3	1001165080	1	Installation, Door (See Separate Breakdown in this Section)	
4	1001170603	1	Group, Enclosed Cab Plug (See Separate Breakdown in this Section)	

# SECTION 6 - CAB

## FIGURE 6-15. CAB, EPD CAULK



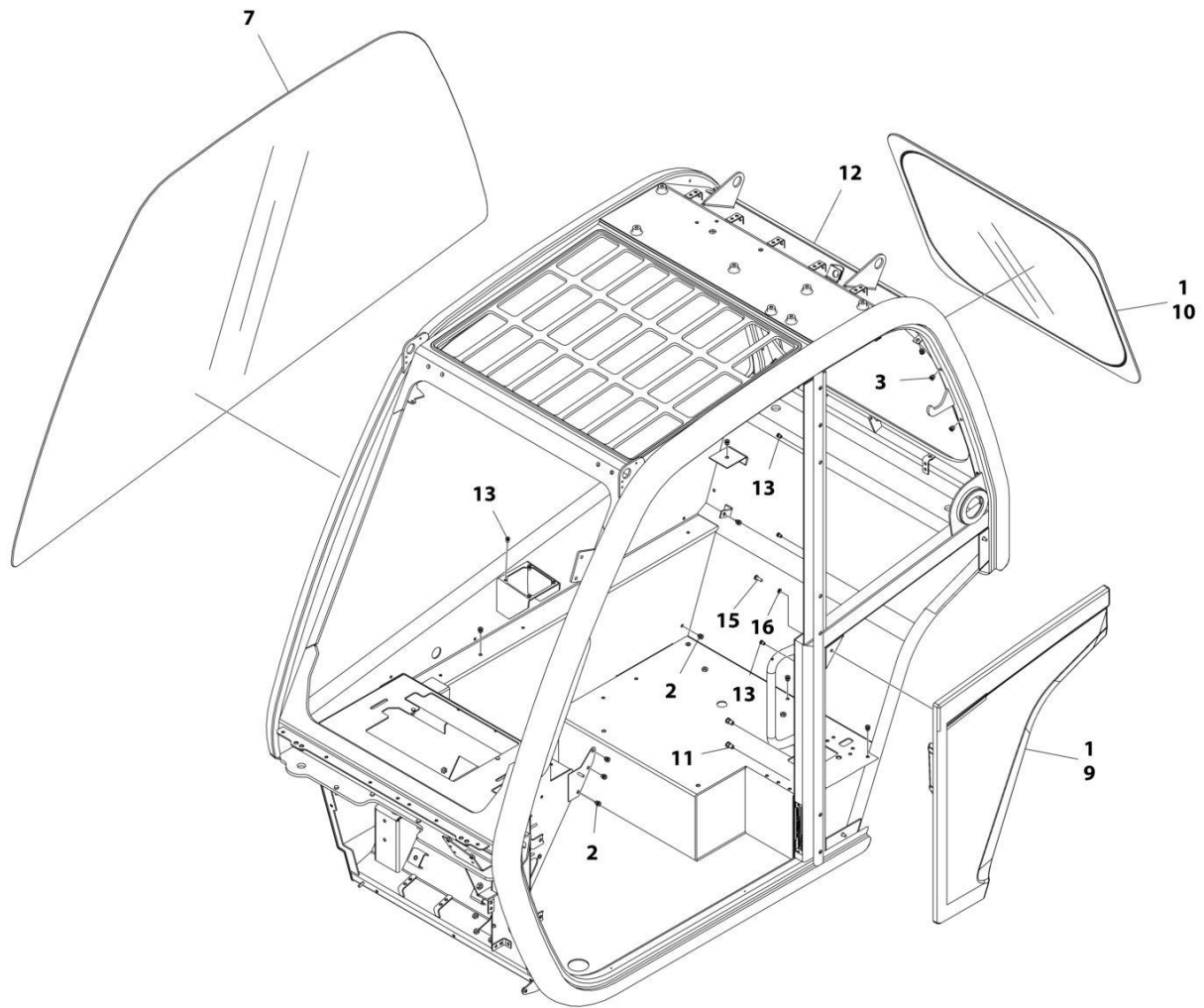
ART\_1001214326-E

FIGURE 6-15. CAB, EPD CAULK

ITEM	PART NUMBER	QTY	DESCRIPTION	REV
	1001214326	Ref	Cab	E
1	1001099170	2	Rivet, 4	
2	N.S.S.	1	Plate, Serial Number	
3	N.S.S.	1	Weldment	
4	1001205402	AR	Sealant	

# SECTION 6 - CAB

## FIGURE 6-16. OPEN CAB ASSEMBLY



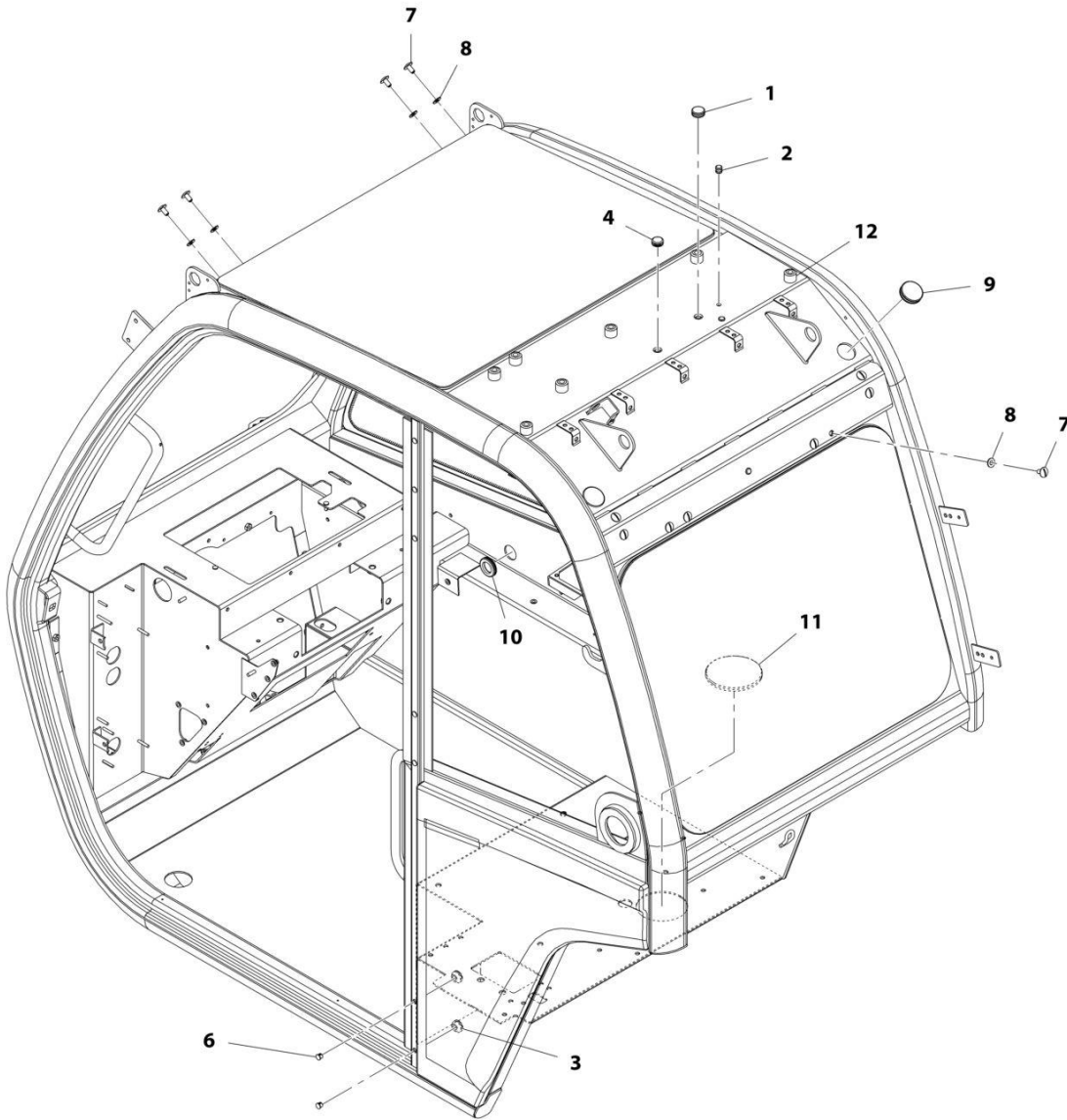
ART\_1001154721\_J

FIGURE 6-16. OPEN CAB ASSEMBLY

ITEM	PART NUMBER	QTY	DESCRIPTION	REV
	1001154721	Ref	Open Cab Assembly	J
1	1001111317	AR	Compound, Locking	
2	2080086	17	Rivnut, M6X1	
3	2080087	16	Rivnut, M8X1.25	
7	1001152947	1	Glass, RH Screen	
9	1001256073	1	Panel, Cab Quarter	
10	1001161538	1	Glass, Rear Window	
11	1001172193	2	Rivnut, M5X0.8	
12	See Note	NSS	Weldment, Cab (Note: Not available for purchase)	
13	1001195878	7	Rivnut, M5X0.8	
15	N.S.S.	3	Screw	
16	4811700	3	Washer, M6	

# SECTION 6 - CAB

## FIGURE 6-17. OPEN CAB PLUG GROUP



ART\_1001170495-E

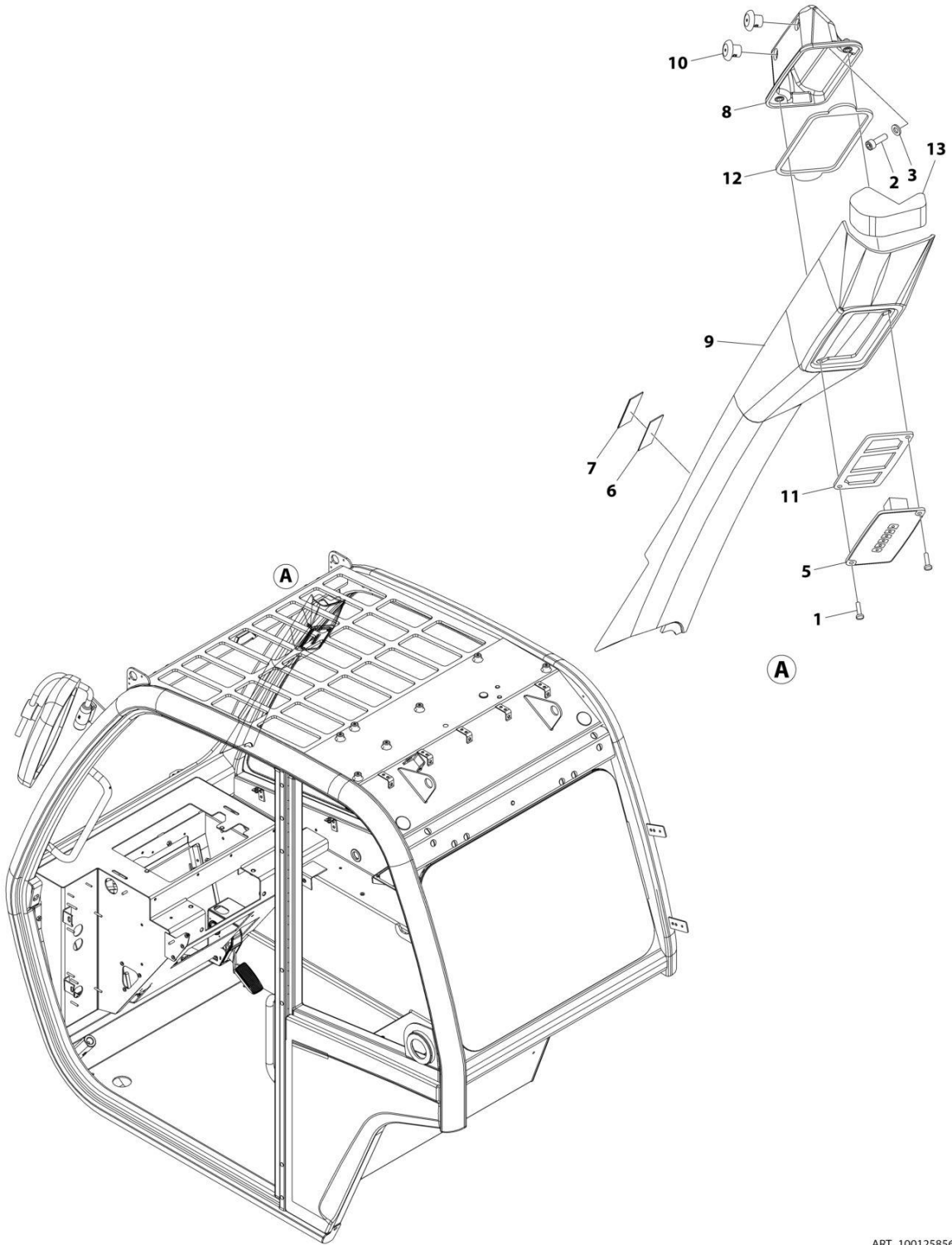


FIGURE 6-17. OPEN CAB PLUG GROUP

ITEM	PART NUMBER	QTY	DESCRIPTION	REV
	1001170495	Ref	Open Cab Plug Group	E
1	1001176273	1	Plug	
2	1001176272	3	Plug	
3	1001143200	2	Plug	
4	1001176626	1	Plug	
6	1001170374	7	Plug	
7	1001181920	12	Screw, M8X16	
8	1001181921	12	Washer, M8 Rubber	
9	1001182123	2	Plug	
10	1001182139	1	Plug	
11	1001209899	1	Plug	
12	1001219220	1	Cap, Vinyl Round	

# SECTION 6 - CAB

## FIGURE 6-18. OPEN CAB, LSI DISPLAY INSTALLATION



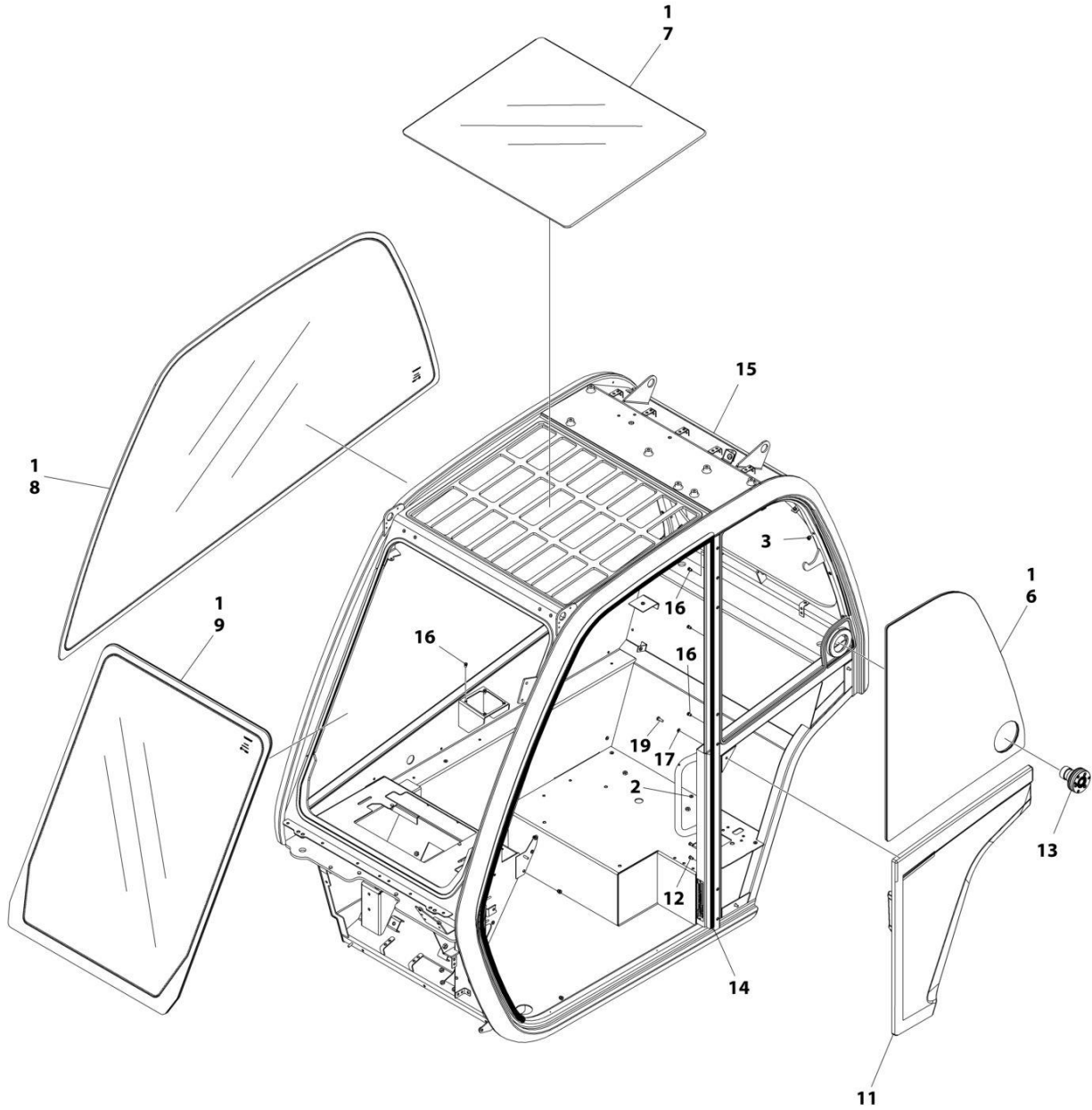
ART\_1001258563\_B

FIGURE 6-18. OPEN CAB, LSI DISPLAY INSTALLATION

ITEM	PART NUMBER	QTY	DESCRIPTION	REV
	1001258563	Ref	LSI DISPLAY INSTALLATION	B
1	1001126837	2	Screw M4 x 16	
2	4031708	2	Bolt M6 x 20	
3	4811700	2	Washer M6	
5	1001213752	1	LSI Display Electrical Assembly	
5	1001205976	1	Decal - LSI Display	
5	1001209028	1	Gauge	
6	1001221318	1	Tape, Hook Fastener	
7	1001221319	1	Tape, Loop Fastener	
8	1001257058	1	Box	
9	1001257059	1	Panel	
10	1001257067	2	Grommet	
11	1001257069	1	Seal	
12	1001257087	1	Seal	
13	1001264415	1	Seal	

# SECTION 6 - CAB

## FIGURE 6-19. ENCLOSED CAB ASSEMBLY



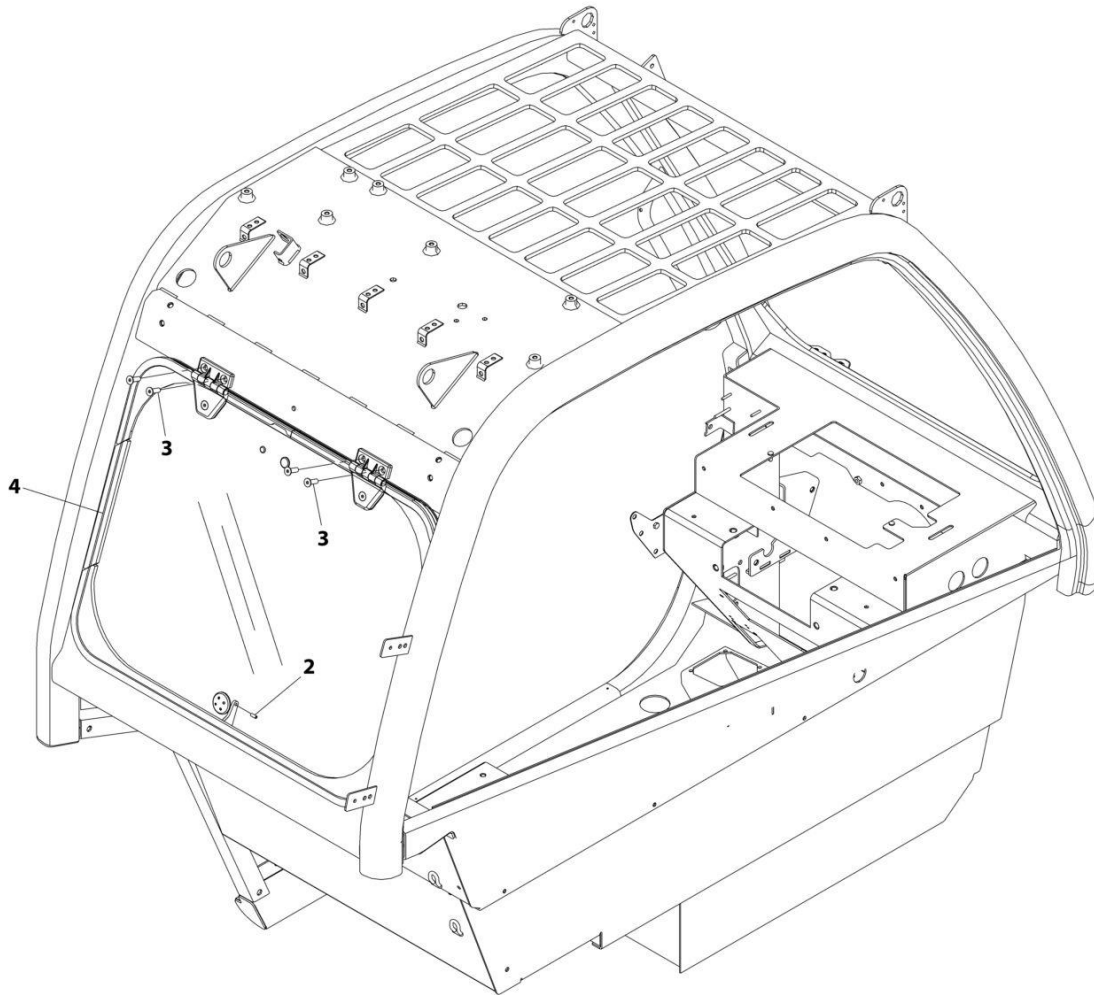
ART\_1001154365\_K

FIGURE 6-19. ENCLOSED CAB ASSEMBLY

ITEM	PART NUMBER	QTY	DESCRIPTION	REV
	1001154365	Ref	Enclosed Cab Assembly	K
1	1001111317	AR	Compound, Locking	
2	2080086	17	Rivnut, M6X1	
3	2080087	16	Rivnut, M8X1.25	
6	1001152915	1	Glass, LH Screen	
7	1001152934	1	Glass, Roof	
8	1001152947	1	Glass, RH Screen	
9	1001154419	1	Glass, Front	
11	1001256073	1	Panel, Cab Quarter	
12	1001172193	2	Rivnut, M5X0.8	
13	1001174320	1	Latch, Top Window	
14	1001227186	1	Seal, Cab Door	
15	See Note	NSS	Weldment, Cab (Note: Not available for purchase)	
16	1001195878	7	Rivnut, M5X0.8	
17	4811700	3	Washer, M6	
19	N.S.S.	3	Screw	

# SECTION 6 - CAB

## FIGURE 6-20. REAR WINDOW INSTALLATION



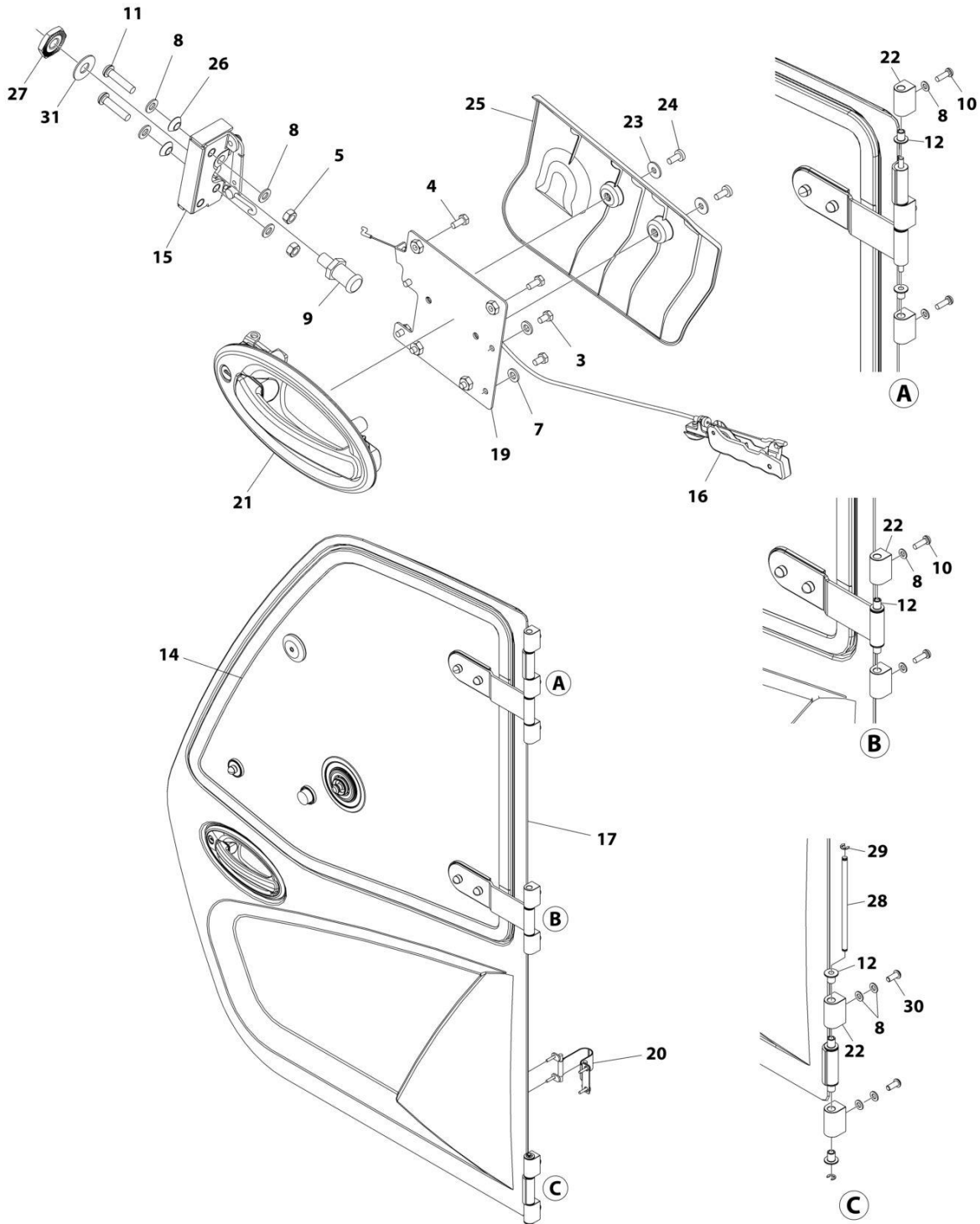
ART\_1001170500-D

FIGURE 6-20. REAR WINDOW INSTALLATION

ITEM	PART NUMBER	QTY	DESCRIPTION	REV
	1001170500	Ref	Rear Window Installation	D
2	1001003043	1	Pin, Spring	
3	1001097586	4	Bolt, M8-1.25X25	
4	1001170502	1	Window, Rear (See Separate Breakdown in this Section)	

# SECTION 6 - CAB

## FIGURE 6-21. DOOR INSTALLATION



ART\_1001165080

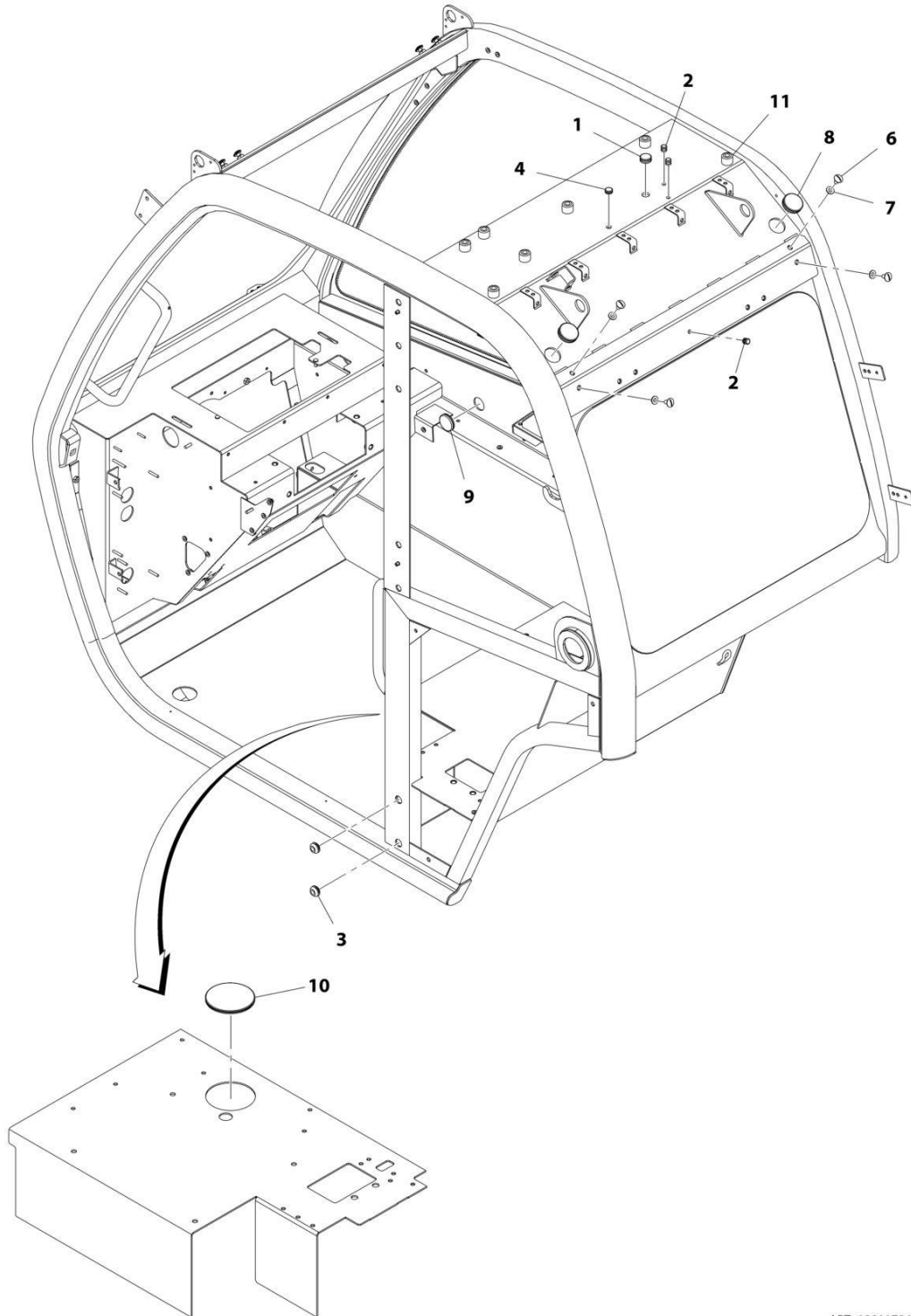


FIGURE 6-21. DOOR INSTALLATION

ITEM	PART NUMBER	QTY	DESCRIPTION	REV
	1001165080	Ref	Door Installation	P
3	0760605	4	Bolt, M6X10	
4	0760607	4	Bolt, M6X14	
5	3290801	2	Nut, M8X1.25 Grade 8	
7	4811700	4	Washer, M6	
8	4811900	13	Washer, M8	
9	8000803	1	Pin, Door Striker	
10	1001008988	5	Screw M8X25	
11	1001047062	2	Screw, M8X35	
12	1001107192	10	Sleeve, Hinge	
14	1001205532	1	Assembly, Door Upper Glass (See Separate Breakdown in this Section)	
15	1001192766	1	Assembly, Cab Latch (See Separate Breakdown in this Section)	
16	1001167958	1	Assembly, Cab Door Trigger (See Separate Breakdown in this Section)	
17	1001169881	1	Assembly, Door (See Separate Breakdown in this Section)	
19	1001173298	1	Bracket	
20	1001174295	1	Installation, Door Strap (See Separate Breakdown in this Section)	
21	1001192646	1	Handle, Exterior Door	
22	1001170601J	7	Lug, Hinge	
23	4811702001	2	Washer, M6	
24	4010608002	2	Screw, M6X16	
25	1001175477	1	Cover, Cab Door Interior	
26	1001184439	2	Bushing	
27	1001192309	1	Nut, M12X1	
28	1001213791	1	Pin, Hinge	
29	0498748	2	Clip, Snap Ring	
30	1001164726	2	Bolt, M8X20	
31	1001227802	1	Washer	

# SECTION 6 - CAB

## FIGURE 6-22. ENCLOSED CAB PLUG GROUP



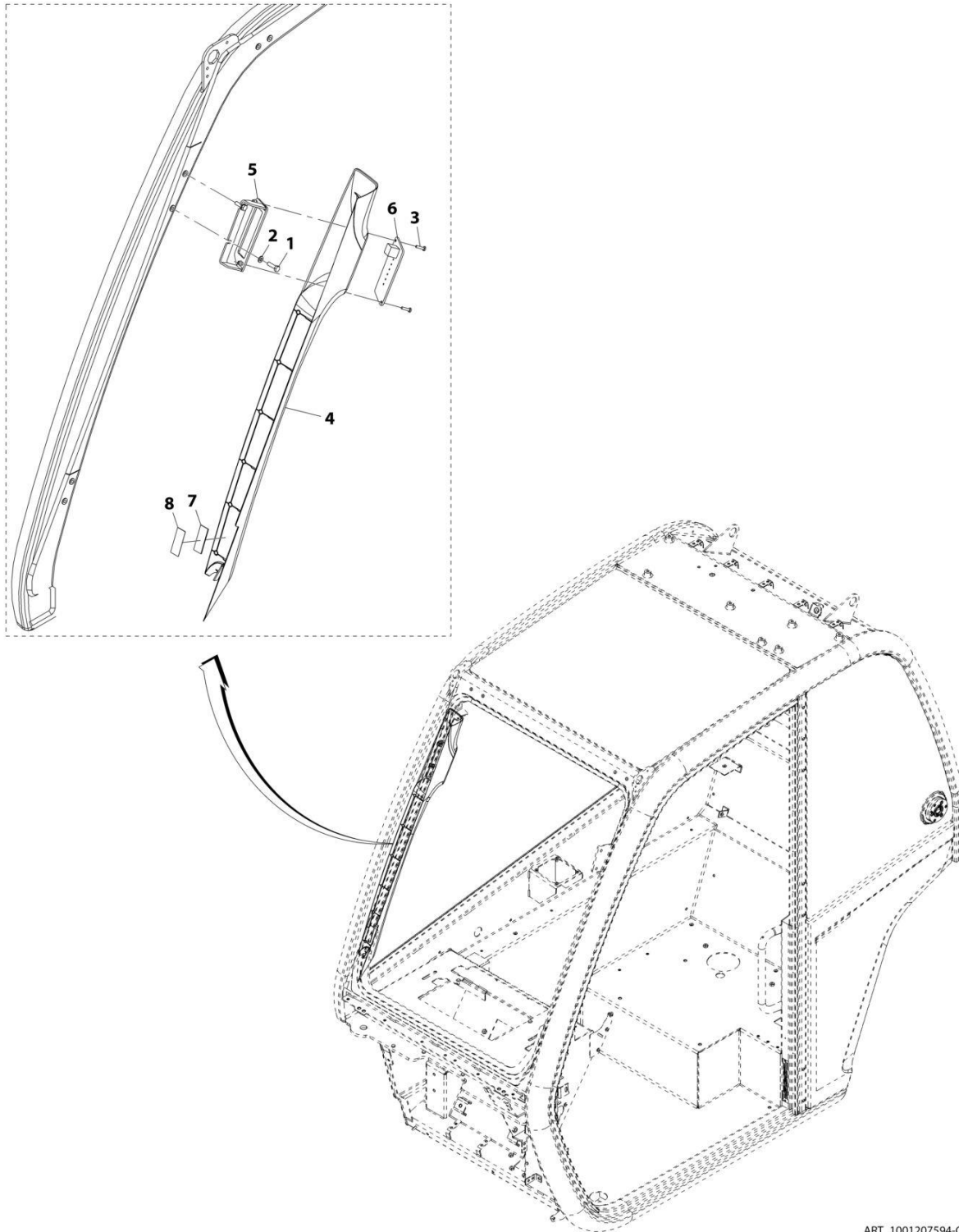
ART\_1001170603-E

FIGURE 6-22. ENCLOSED CAB PLUG GROUP

ITEM	PART NUMBER	QTY	DESCRIPTION	REV
	1001170603	Ref	Enclosed Cab Plug Group	E
1	1001176273	1	Plug	
2	1001176272	3	Plug	
3	1001143200	2	Plug	
4	1001176626	1	Plug	
6	1001181920	8	Screw, M8X16	
7	1001181921	8	Washer, Rubber M8	
8	1001182123	2	Plug	
9	1001182139	1	Plug	
10	1001209899	1	Plug	
11	1001219220	7	Cap, Vinyl Round	

# SECTION 6 - CAB

## FIGURE 6-23. LSI DISPLAY INSTALLATION



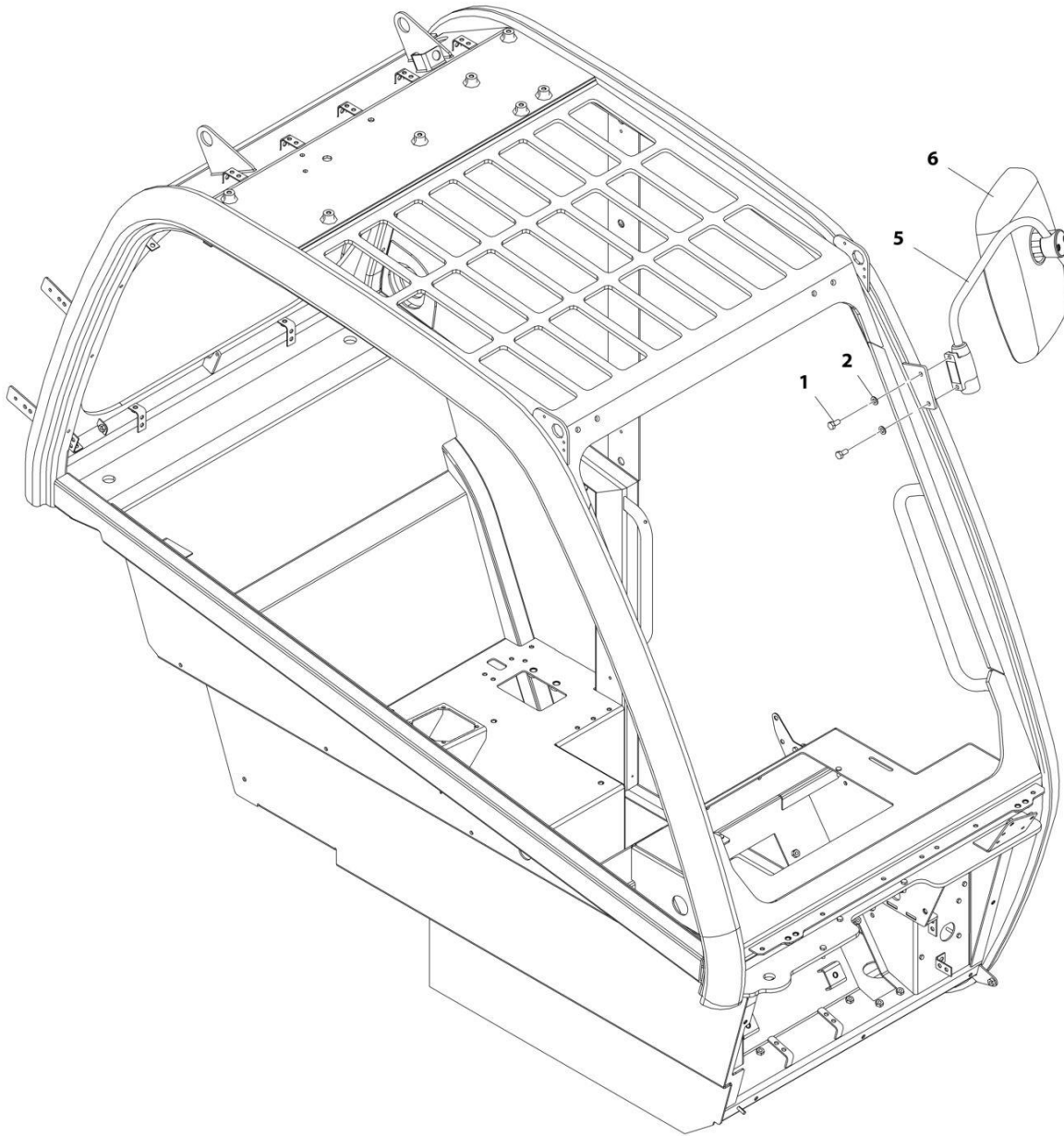
ART\_1001207594-C

FIGURE 6-23. LSI DISPLAY INSTALLATION

ITEM	PART NUMBER	QTY	DESCRIPTION	REV
	1001207594	Ref	LSI Display Installation	C
1	0760610	2	Bolt, M6X20	
2	4811700	2	Washer, M6	
3	1001126837	2	Screw, M4X16	
4	1001182839	1	Cover	
5	1001214401	1	Bracket	
6	1001213752	1	Display, LSI	
7	1001221318	1	Tape, Hook Fastener	
8	1001221319	1	Tape, Hook Fastener	

# SECTION 6 - CAB

## FIGURE 6-24. BASIC MIRROR INSTALLATION



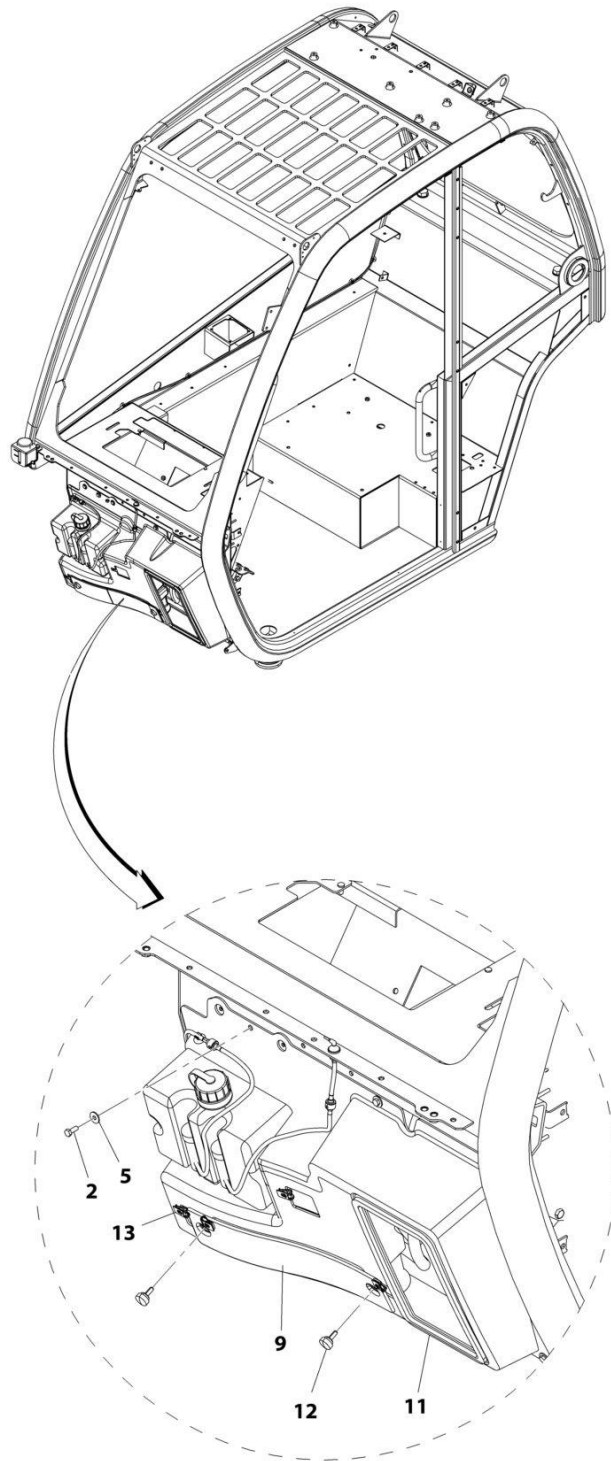
ART\_1001160508-E

FIGURE 6-24. BASIC MIRROR INSTALLATION

ITEM	PART NUMBER	QTY	DESCRIPTION	REV
	1001160508	Ref	Basic Mirror Installation	E
1	0760808	2	Bolt, M8X16	
2	4811900	2	Washer, M8	
5	1001164655	1	Bracket	
6	80363195	1	Mirror	

# SECTION 6 - CAB

## FIGURE 6-25. FRONT COVER INSTALLATION



ART\_1001170366-G

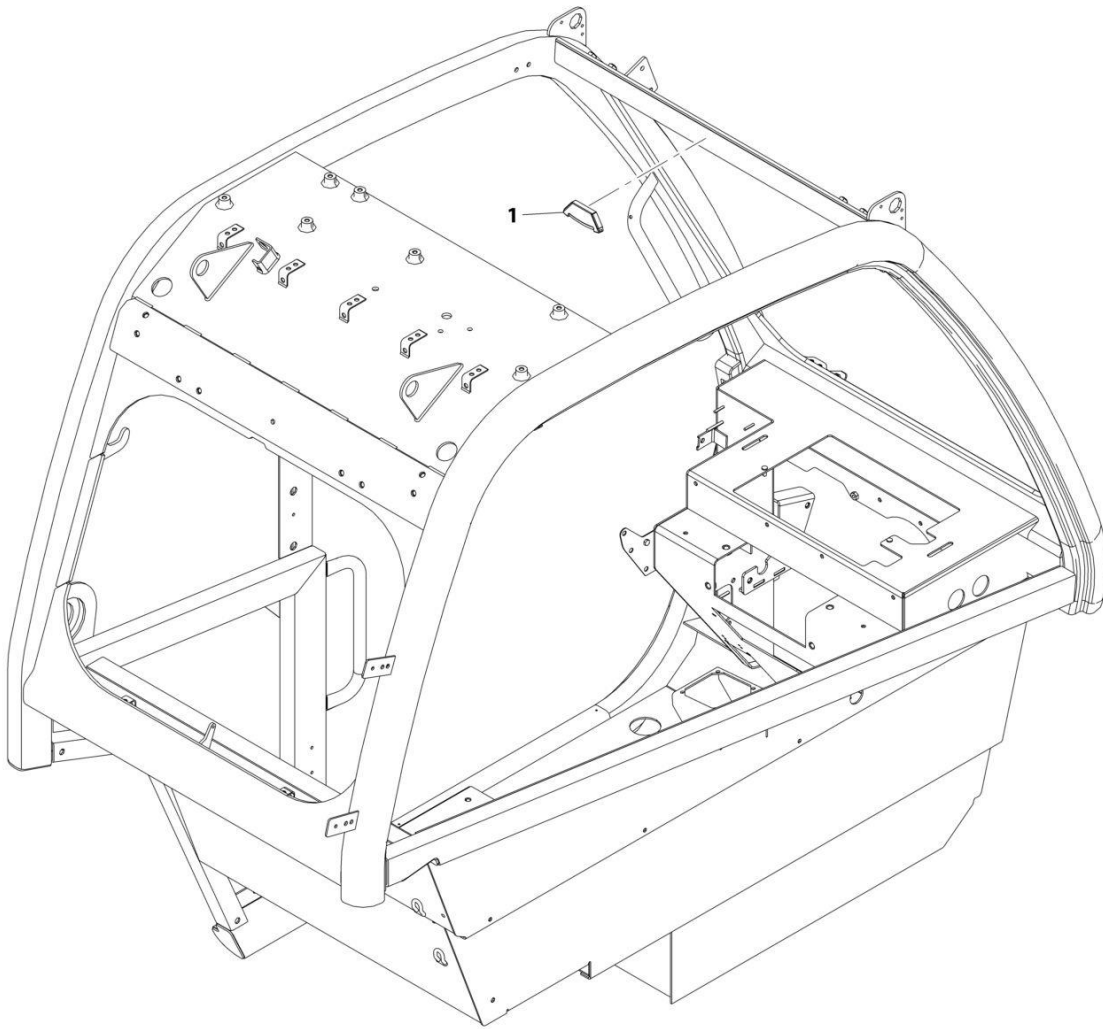


FIGURE 6-25. FRONT COVER INSTALLATION

ITEM	PART NUMBER	QTY	DESCRIPTION	REV
	1001170366	Ref	Front Cover Installation	G
2	0760608	7	Bolt, M6X16	
5	4811702	7	Washer, M6	
9	1001175471	1	Panel, Filter Tray (See Separate Breakdown in this Section)	
11	1001176121	1	Cover, Front Duct (See Separate Breakdown in this Section)	
12	2080092	2	Thumb Screw, M6X16	
13	8305919	4	Nut, M6	

# SECTION 6 - CAB

## FIGURE 6-26. LEVEL INDICATOR INSTALLATION



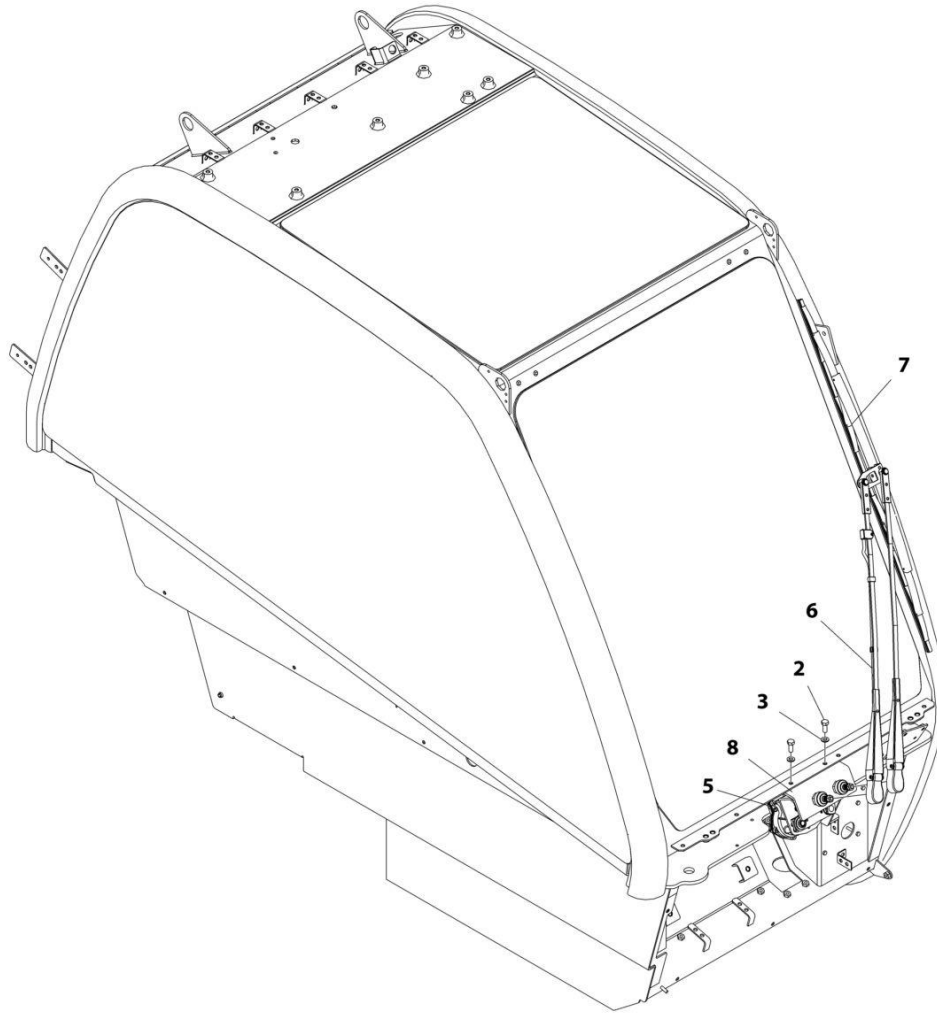
ART\_1001172401-C

**FIGURE 6-26. LEVEL INDICATOR INSTALLATION**

ITEM	PART NUMBER	QTY	DESCRIPTION	REV
1	1001172401 8466306	Ref 1	Level Indicator Installation Gauge, Tilt Angle	C

# SECTION 6 - CAB

## FIGURE 6-27. FRONT WIPER INSTALLATION



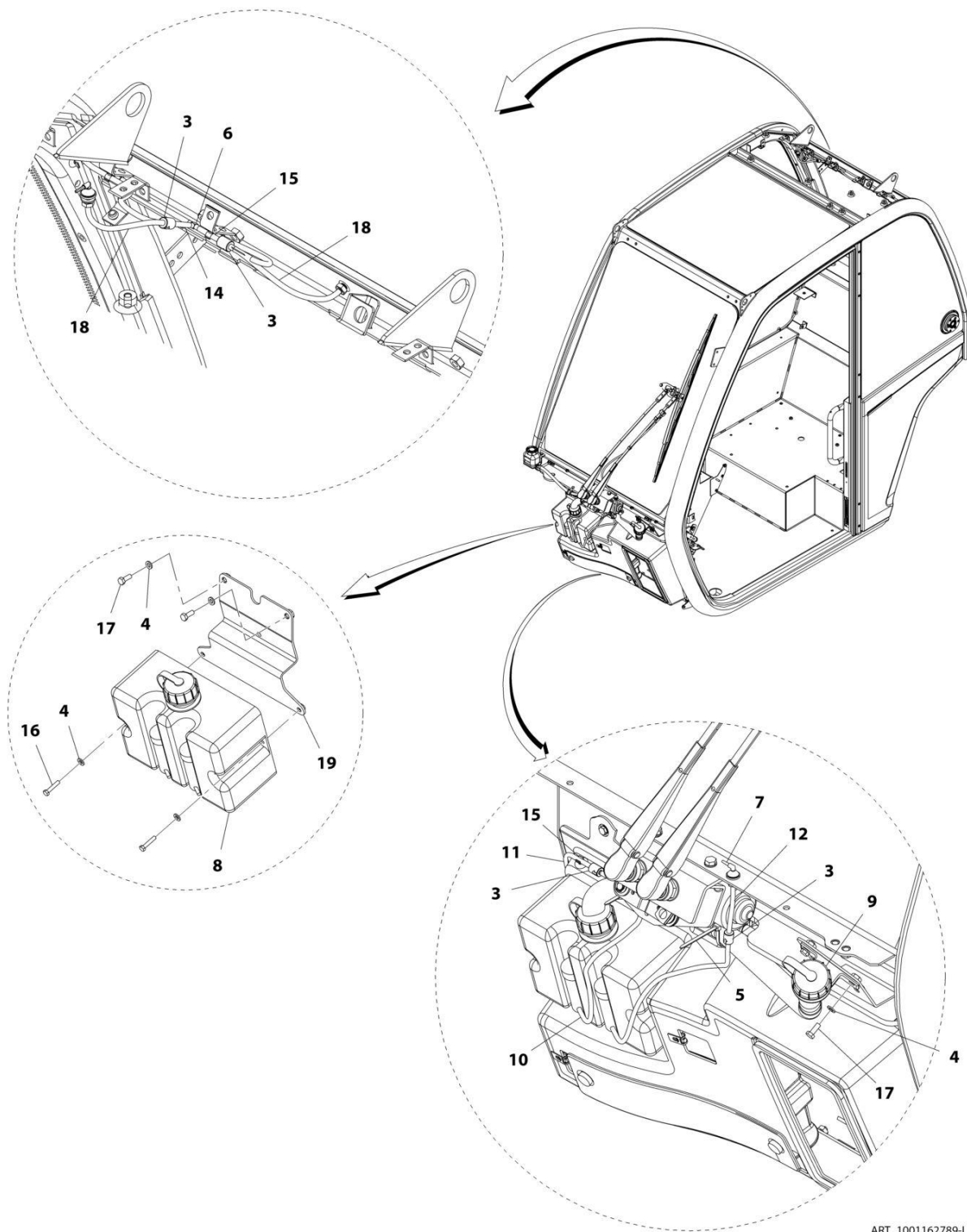
ART\_1001155447-G

FIGURE 6-27. FRONT WIPER INSTALLATION

ITEM	PART NUMBER	QTY	DESCRIPTION	REV
	1001155447	Ref	Front Wiper Installation	G
2	0760810	2	Bolt, M8X20	
3	4811900	2	Washer, M8	
5	1001214092	1	Motor, Front Wiper	
6	1001212369	1	Arm, Front Wiper	
7	1001141281	1	Blade, Wiper	
8	1001165637	1	Bracket	

# SECTION 6 - CAB

## FIGURE 6-28. WASHER TANK INSTALLATION



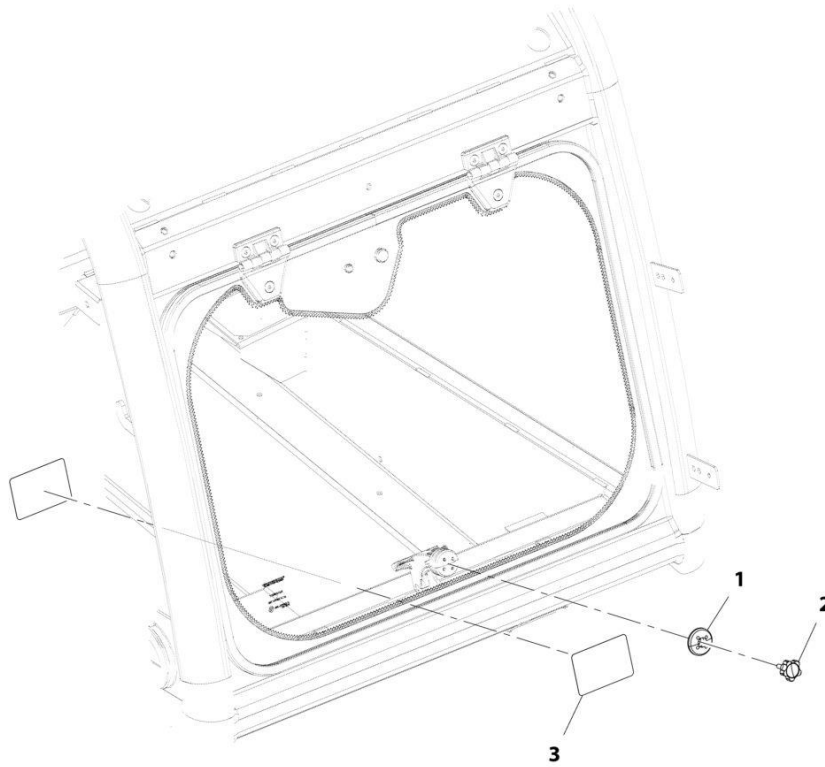
ART\_1001162789-L

FIGURE 6-28. WASHER TANK INSTALLATION

ITEM	PART NUMBER	QTY	DESCRIPTION	REV
	1001162789	Ref	Washer Tank Installation	L
3	1001201331	4	Valve, Check	
4	4811700	6	Washer, M6	
5	471678	2	Strap, Tie	
6	1001008742	1	Coupling, Tee	
7	1001090343	1	Connector	
8	1001165269	1	Bottle, Washer (See Separate Breakdown in this Section)	
9	1001165270	1	Hose, Washer Filler	
10	1001165351	2	Hose	
11	1001165407	1	Hose	
12	1001165416	1	Hose	
14	1001165455	2	Hose	
15	1001165458	16	Hose	
16	0760512	2	Bolt M5X25	
17	0760608	4	Bolt, M6X16	
18	1001178123	2	Hose	
19	1001171756	1	Bracket	

# SECTION 6 - CAB

## FIGURE 6-29. REAR WINDOW INSTALLATION (WO/WIPER) (ANSI)



ART\_1001212047-A

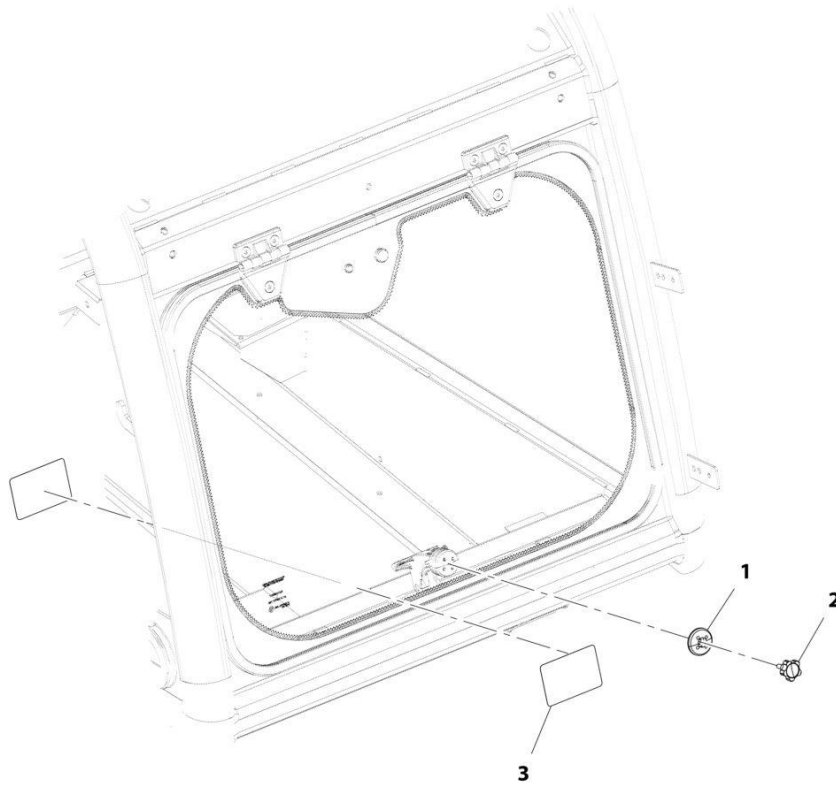


**FIGURE 6-29. REAR WINDOW INSTALLATION (WO/WIPER) (ANSI)**

<b>ITEM</b>	<b>PART NUMBER</b>	<b>QTY</b>	<b>DESCRIPTION</b>	<b>REV</b>
	1001212047	Ref	External Window Release Installation (ANSI)	A
1	1001179008	1	Cap, Latch Window	
2	1001179009	1	Cap, Knob M6	
3	1001212049	2	Decal, Emergency Exit	

# SECTION 6 - CAB

## FIGURE 6-30. REAR WINDOW INSTALLATION (WO/WIPER) (ISO)



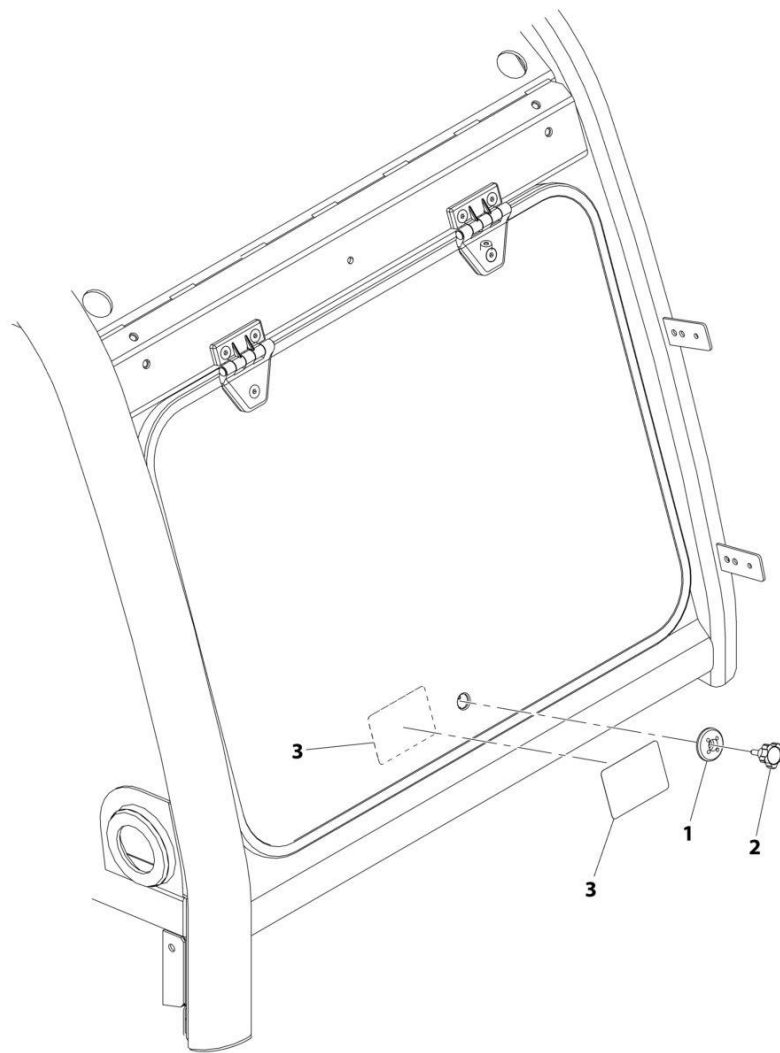
ART\_1001212048-A

**FIGURE 6-30. REAR WINDOW INSTALLATION (WO/WIPER) (ISO)**

<b>ITEM</b>	<b>PART NUMBER</b>	<b>QTY</b>	<b>DESCRIPTION</b>	<b>REV</b>
	1001212048	Ref	Rear Window Installation (WO/Wiper) (ISO)	A
1	1001179008	1	Cap, Latch Window	
2	1001179009	1	Cap, Knob M6	
3	1001212050	2	Decal, Emergency Exit	

# SECTION 6 - CAB

## FIGURE 6-31. REAR WINDOW INSTALLATION (WO/WIPER) (ENG/SPAN)



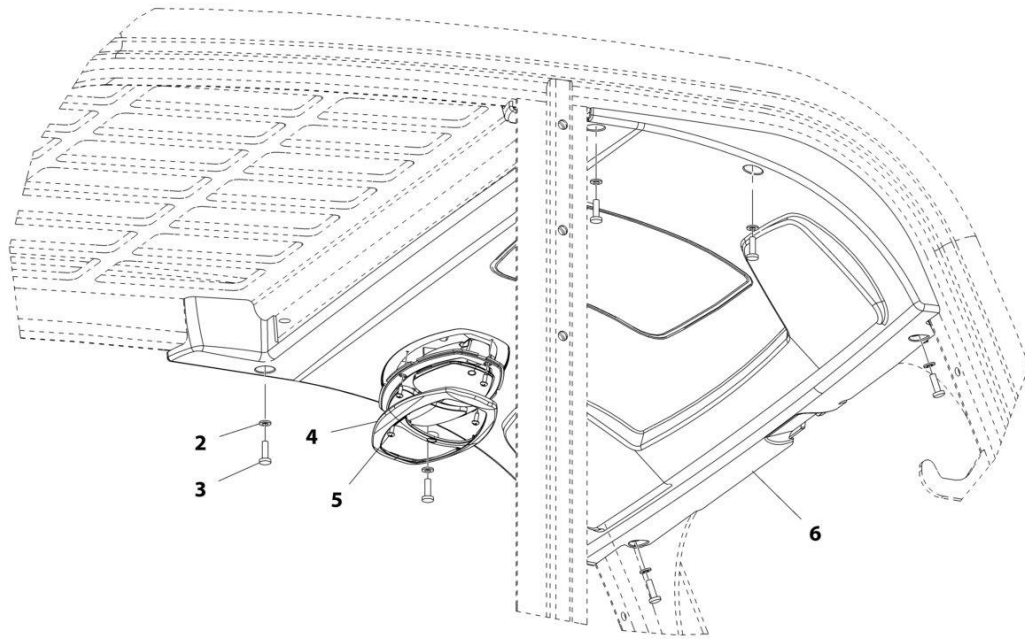
ART\_1001237852-A

**FIGURE 6-31. REAR WINDOW INSTALLATION (WO/WIPER) (ENG/SPAN)**

<b>ITEM</b>	<b>PART NUMBER</b>	<b>QTY</b>	<b>DESCRIPTION</b>	<b>REV</b>
	1001237852	Ref	Rear Window Installation (WO/Wiper) (ENG/SPAN)	A
1	1001179008	1	Cap, Latch Window	
2	1001179009	1	Cap, Knob M6	
3	1001237845	2	Decal, Emergency Exit	

# SECTION 6 - CAB

## FIGURE 6-32. HEADLINER INSTALLATION



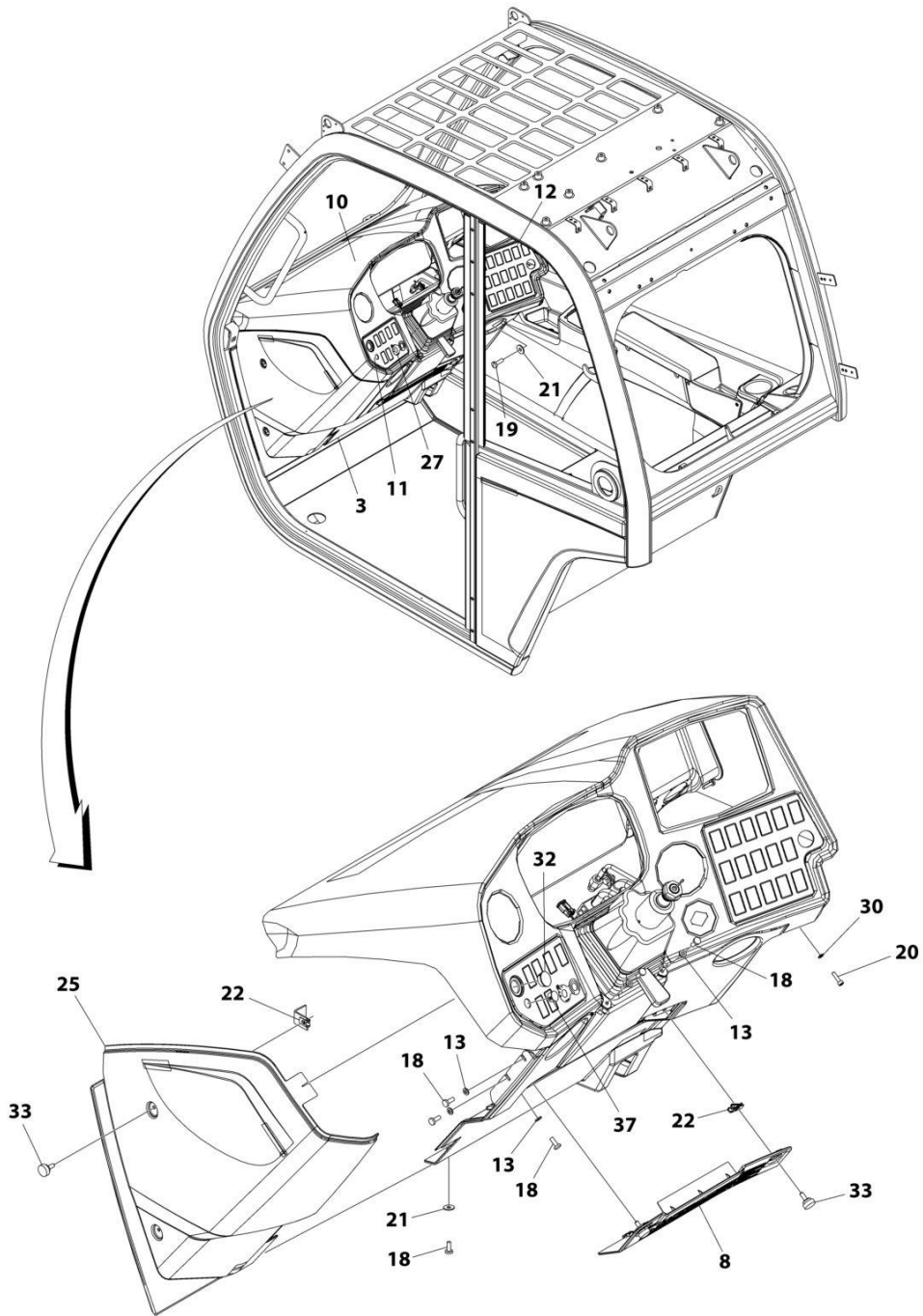
ART\_1001170717-D

FIGURE 6-32. HEADLINER INSTALLATION

ITEM	PART NUMBER	QTY	DESCRIPTION	REV
	1001170717	Ref	Headliner Installation	D
2	4811700	6	Washer, M6	
3	4010610002	6	Screw, M6X20	
4	1001167015	1	Lamp	
5	7029486	4	Screw	
6	1001161069	1	Panel, Headliner	

# SECTION 6 - CAB

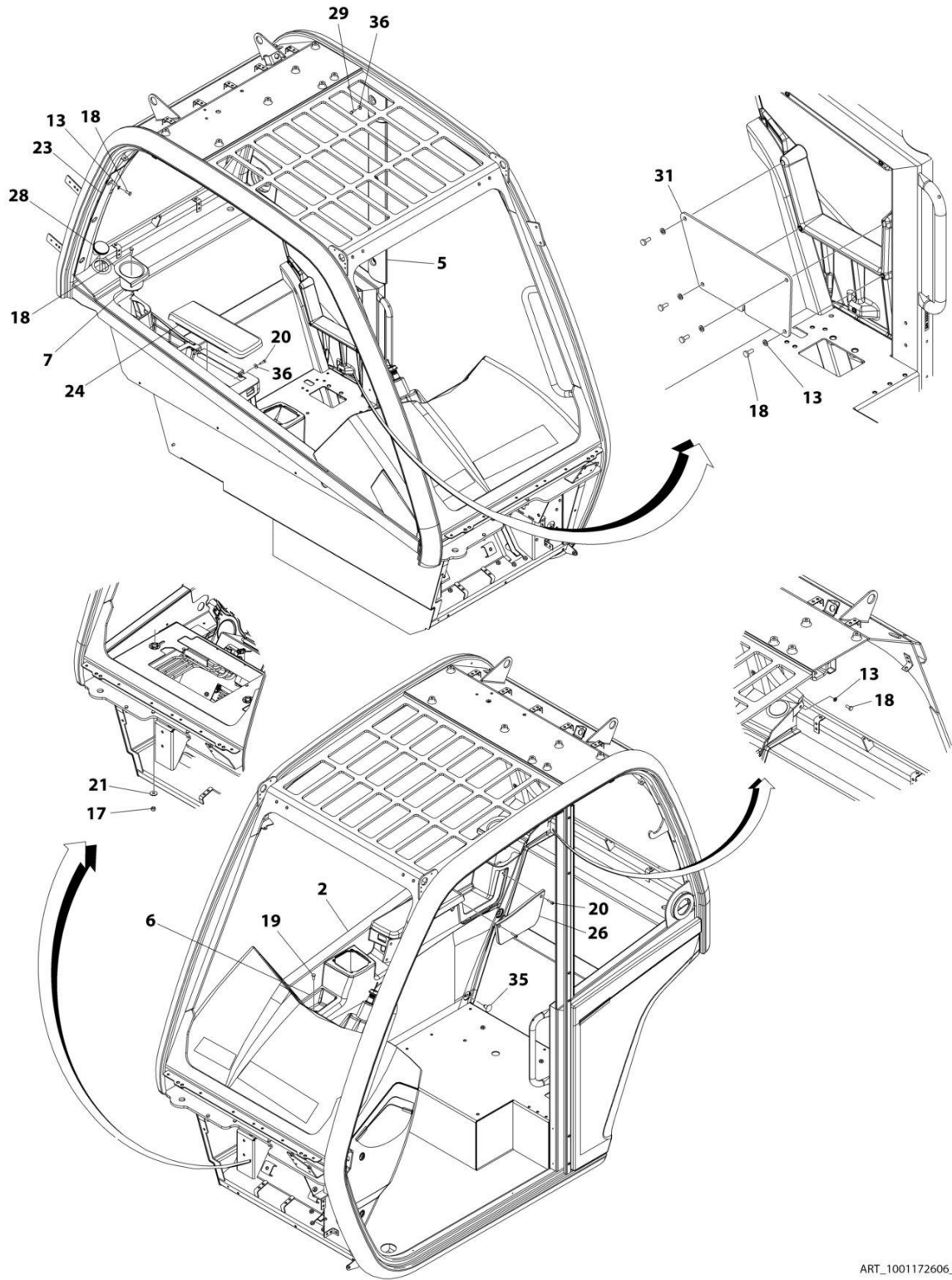
## FIGURE 6-33. OPEN CAB TRIM INSTALLATION



ART\_1001172606\_10F2



# SECTION 6 - CAB



ART\_1001172606\_20F2

## SECTION 6 - CAB

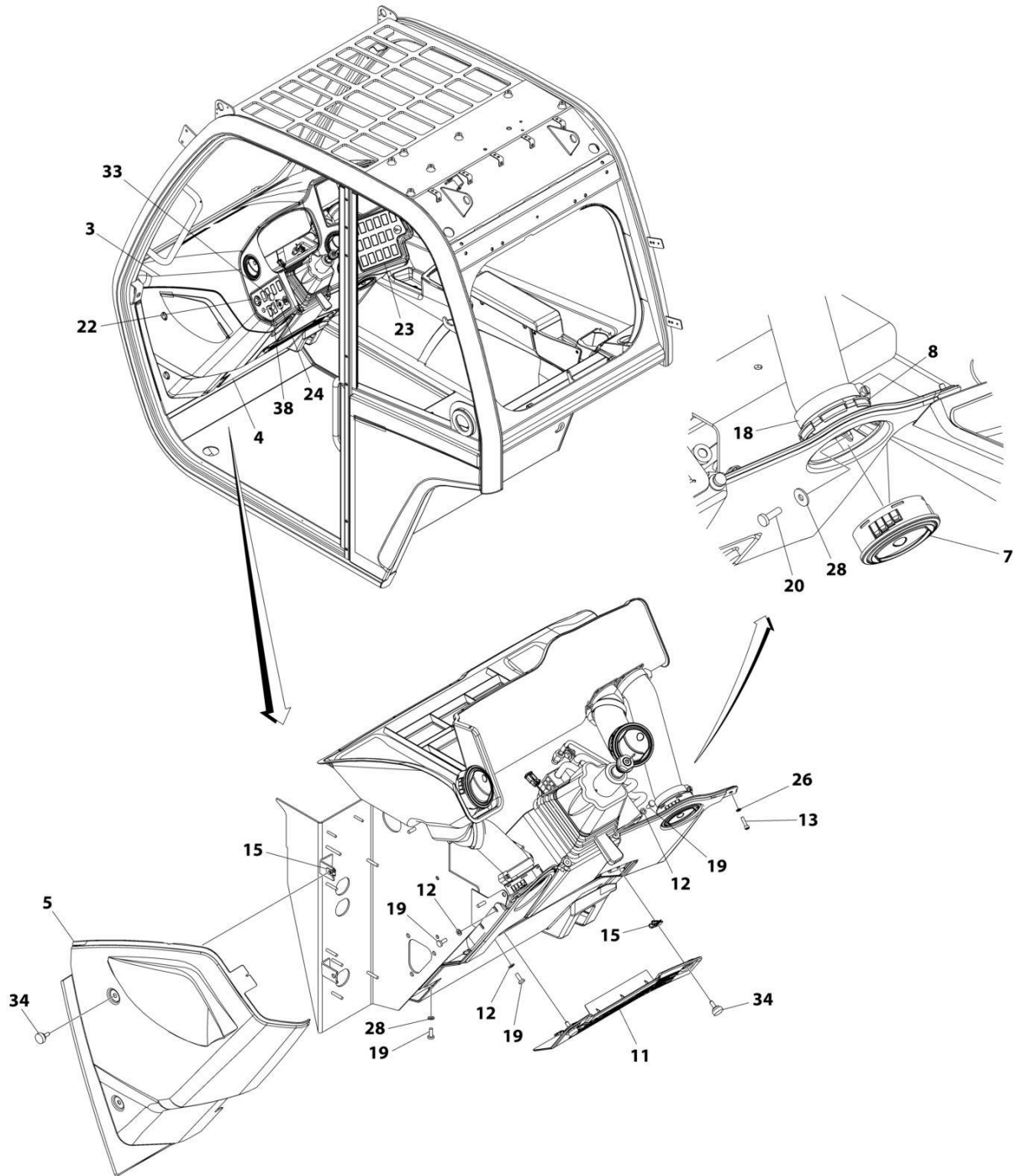
**FIGURE 6-33. OPEN CAB TRIM INSTALLATION**

ITEM	PART NUMBER	QTY	DESCRIPTION	REV
	1001172606	Ref	Open Cab Trim Installation	K
2	1001169605	1	Cover, Side	
3	1001175904	1	Panel, Lower Dash	
5	1001219076	1	Panel, Cover	
6	1001169603	1	Panel, Trinket Tray	
7	1001170518	1	Holder, Cup	
8	1001170504	1	Panel, Recirculation Grille Cover	
10	1001172608	1	Panel, Dash	
11	1001268846	1	Plate, LH Switch	
12	1001219865	1	Plate, RH Switch	
13	4811700001	14	Washer, M6	
17	3290605	2	Nut, Lock M6X1 Grade 8	
18	4010608002	18	Screw, Posi-Drive M6X16 GR4.8	
19	4010610002	2	Screw, Posi-Drive M6X20 GR4.8	
20	4031608001	5	Screw, M5X20	
21	4811702001	6	Washer, M6	
22	8305919	4	Nut, M6	
23	1001191617	1	Panel, Cover	
24	1001161854	1	Armrest (See Separate Breakdown in this Section)	
25	1001161855	1	Panel, LH Dash	
26	1001173965	1	Bezel, RH	
27	1001190347	1	Decal, No HVAC	
28	1001223265	1	Plug	
29	4010508002	3	Screw, Posi-Drive M5X16	
30	4811600	1	Washer, M5	
31	1001185179	1	Cover, LH Rear Panel	
32	1001190589	1	Blanking Plug	
33	1001208308	4	Screw, M6X15	
35	1001211907	1	Screw	
36	4811602001	5	Washer, M5	
37	1001207963	1	PLUG, 5/8 PUSH IN	



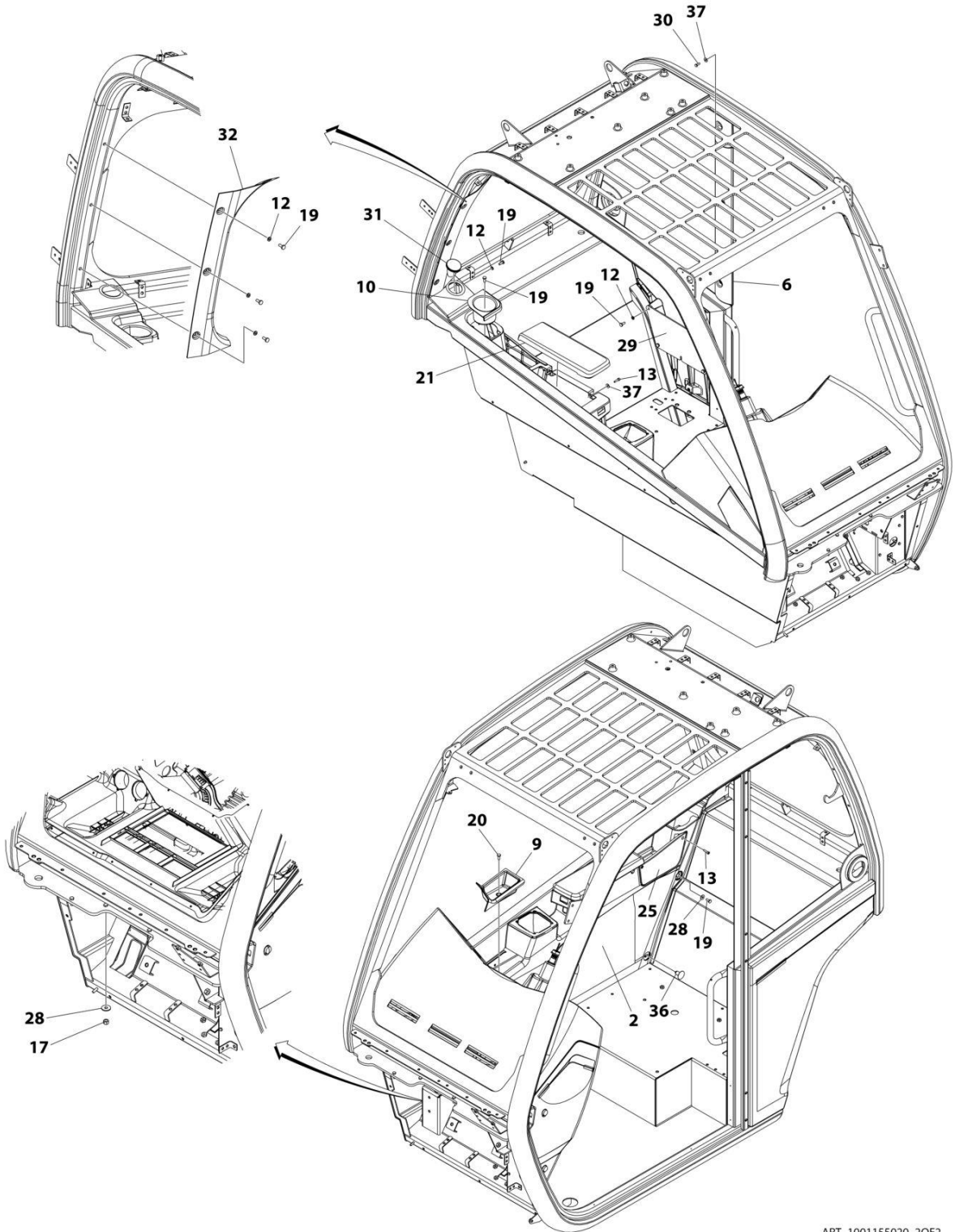
# SECTION 6 - CAB

## FIGURE 6-34. ENCLOSED CAB TRIM INSTALLATION



ART\_1001155020\_10F2

# SECTION 6 - CAB



ART\_1001155020\_2OF2

## SECTION 6 - CAB

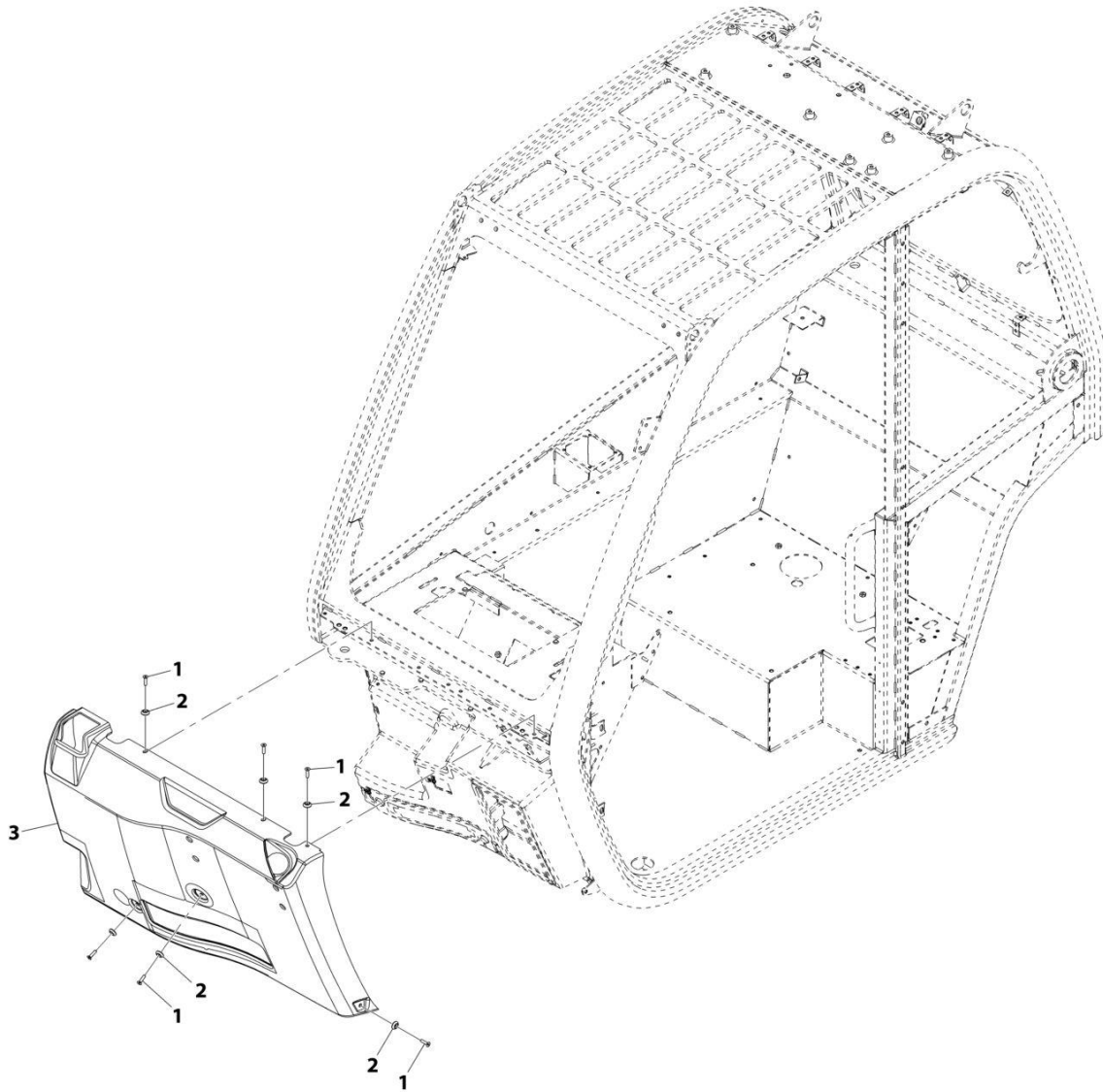
FIGURE 6-34. ENCLOSED CAB TRIM INSTALLATION

ITEM	PART NUMBER	QTY	DESCRIPTION	REV
	1001155020	Ref	Enclosed Cab Trim Installation	N
2	1001169605	1	Cover, Side	
3	1001169604	1	Cover, Dash	
4	1001175903	1	Panel, Lower Dash	
5	1001161855	1	Panel, Cover	
6	1001219076	1	Panel, Cover	
7	1001147449	2	Vent, Air	
8	1001149278	2	Vent, Connector	
9	1001169603	1	Panel, Trinket Tray	
10	1001170518	1	Holder, Cup	
11	1001170504	1	Panel, Recirculation Grille Cover	
12	4811700001	14	Washer, M6	
13	4031608001	5	Bolt, M5X20	
15	8305919	4	Nut, M6	
17	3290605	2	Nut, Lock M6X1 Grade 8	
18	8405201	2	Clamp, Gear	
19	4010608002	18	Screw, Posi-Drive, M6X16	
20	4010610002	1	Screw, M6X20	
21	1001161854	1	Armrest (See Separate Breakdown in this Section)	
22	1001268846	1	Plate, LH Switch	
23	1001219865	1	Plate, RH Switch	
24	1001184975	1	Decal, HVAC	
25	1001173965	1	Bezel, RH	
26	4811600	1	Washer, M5	
28	4811702001	6	Washer, M6	
29	1001185179	1	Panel, LH Rear Cover	
30	4010508002	3	Screw, Posi-Drive M5X16	
31	1001223265	1	Plug	
32	1001191617	1	Panel, RH C Post	
33	1001190589	1	Blanking Plug	
34	1001208308	4	Thumb Screw, M6X15	
36	1001211907	1	Screw	
37	4811602001	5	Washer, Flat	
38	1001207963	1	Plug	



# SECTION 6 - CAB

## FIGURE 6-35. OPEN CAB FRONT COVER



ART\_1001229550-A

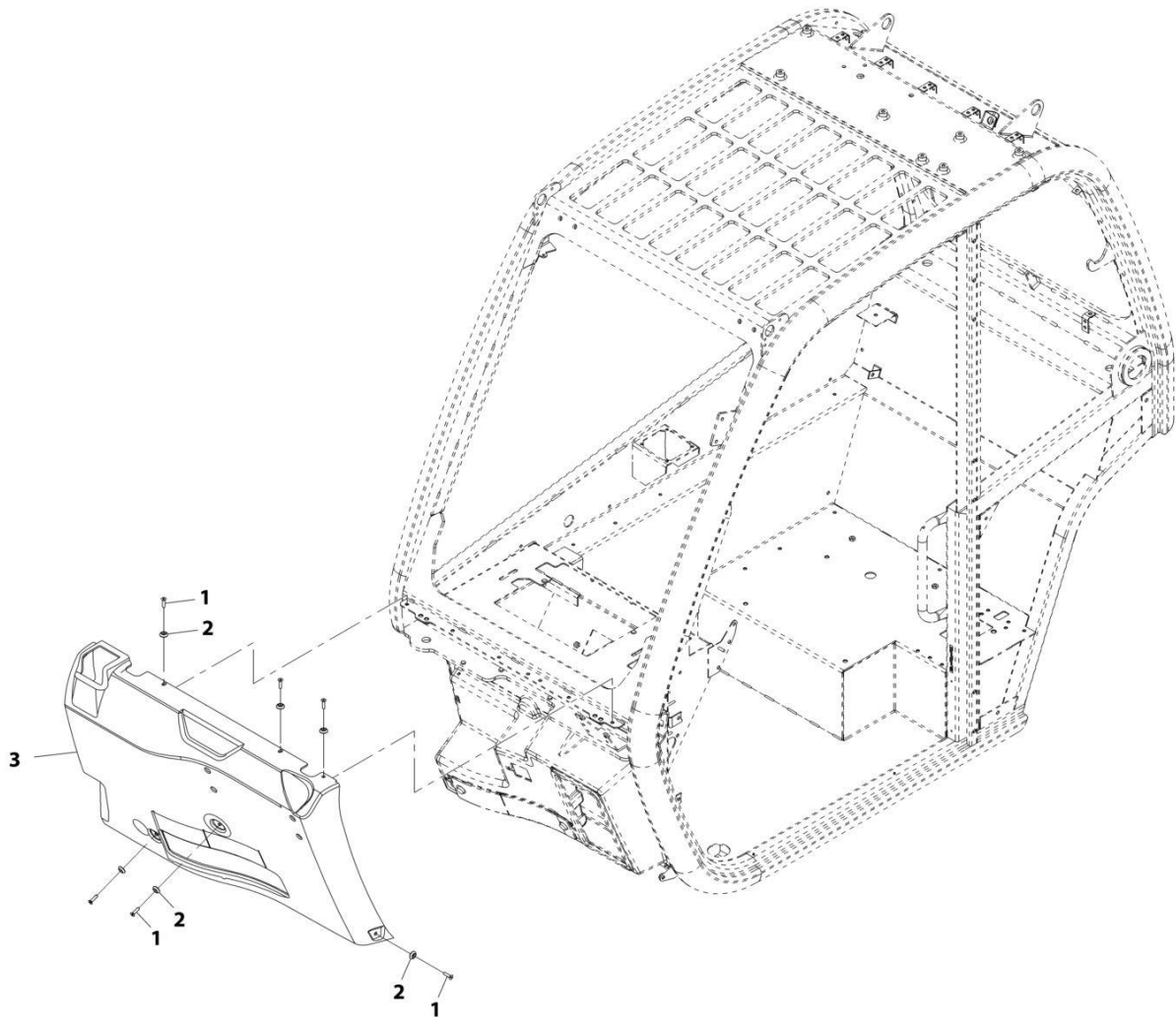


**FIGURE 6-35. OPEN CAB FRONT COVER**

<b>ITEM</b>	<b>PART NUMBER</b>	<b>QTY</b>	<b>DESCRIPTION</b>	<b>REV</b>
	1001229550	Ref	Open Cab Front Cover Installation	A
1	3900379	6	Screw, Socket HD M6-1X25	
2	1001097540	6	Washer, M6	
3	1001229540	1	Cover, Front	

# SECTION 6 - CAB

## FIGURE 6-36. ENCLOSED CAB FRONT COVER



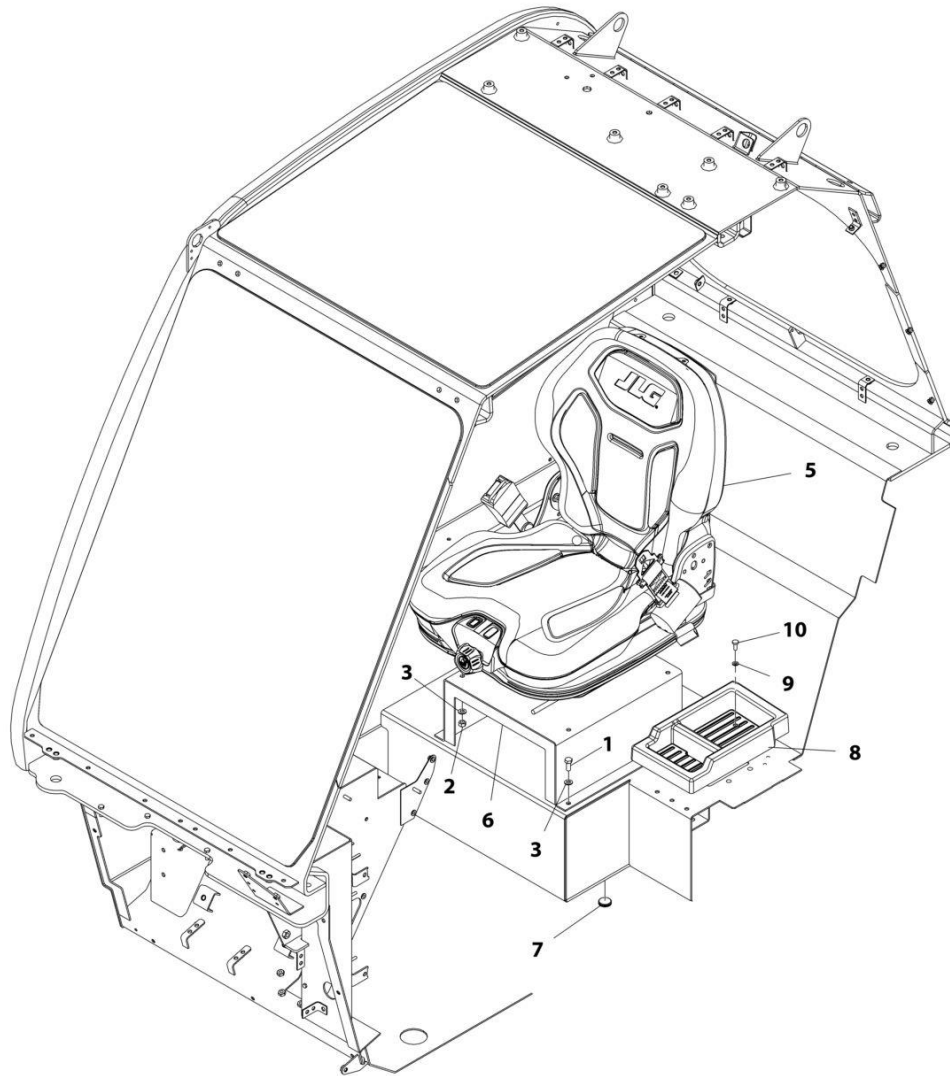
ART\_1001229551-A

**FIGURE 6-36. ENCLOSED CAB FRONT COVER**

<b>ITEM</b>	<b>PART NUMBER</b>	<b>QTY</b>	<b>DESCRIPTION</b>	<b>REV</b>
	1001229551	Ref	Enclosed Cab Front Cover Installation	A
1	3900379	6	Screw, Socket Hd M6-1x100	
2	1001097540	6	Washer, M6	
3	1001229541	1	Cover, Front Cab	

# SECTION 6 - CAB

## FIGURE 6-37. SEAT INSTALLATION



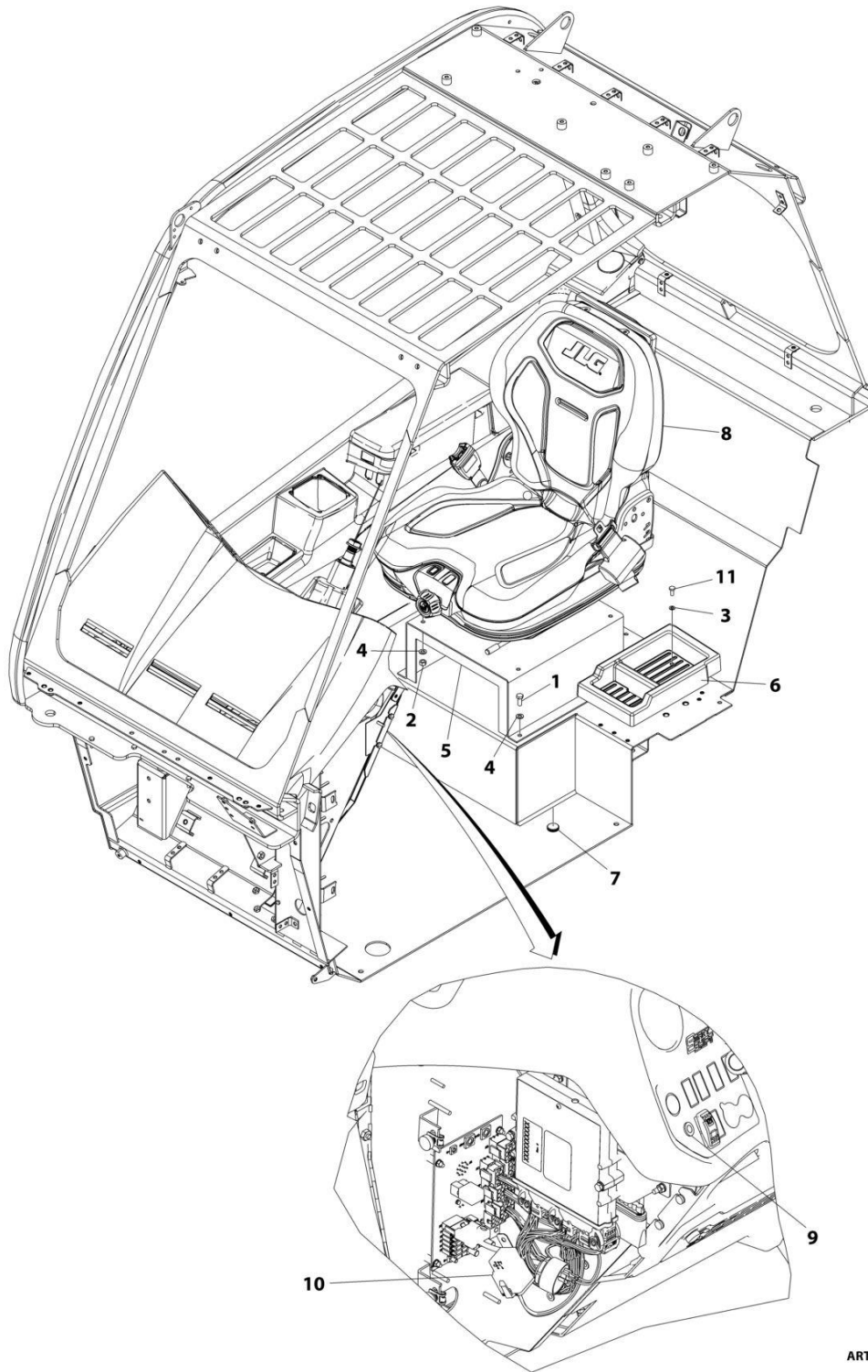
ART\_1001164615-G

FIGURE 6-37. SEAT INSTALLATION

ITEM	PART NUMBER	QTY	DESCRIPTION	REV
	1001164615	Ref	Seat Installation	G
1	0760810	4	Bolt, M8X20	
2	3311505	4	Nut, Lock 5/16-18	
3	4811900	8	Washer, M8	
5	1001197027	1	Seat (See Separate Breakdown in this Section)	
6	1001164498	1	Plinth, Seat	
7	1001196076	1	Plug	
8	1001170515	1	Insert, Storage Tray	
9	4811700	1	Washer, M6	
10	4010608002	1	Screw, Posi-Drive, M6X16	

# SECTION 6 - CAB

## FIGURE 6-38. SEAT INSTALLATION - VINYL



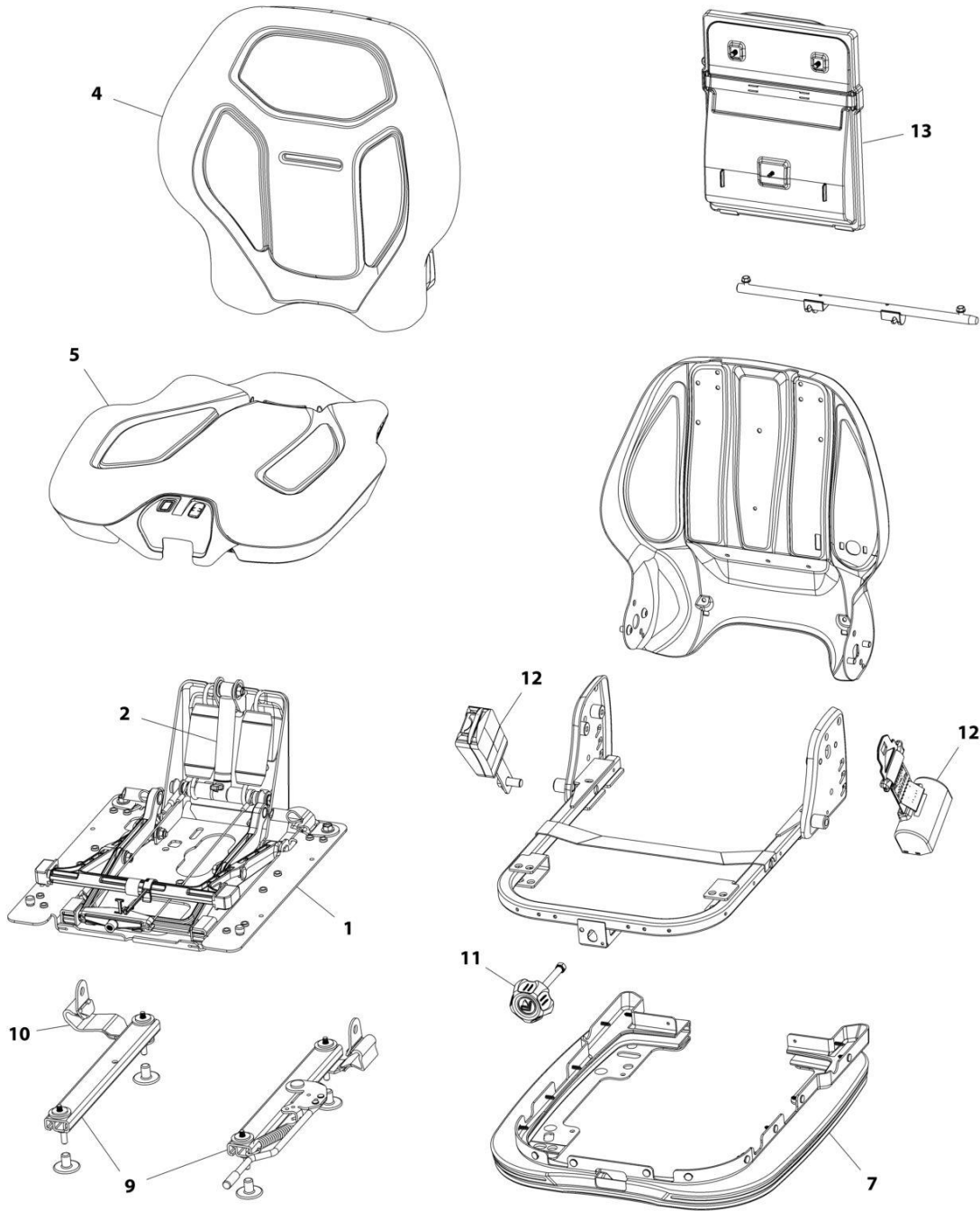
ART\_1001268804

FIGURE 6-38. SEAT INSTALLATION - VINYL

ITEM	PART NUMBER	QTY	DESCRIPTION	REV
	1001268804	Ref	Vinyl Seat installation	A
1	0760810	1	Bolt M8X20	
2	3311505	1	Nut 5/16	
3	4811700	1	Washer M6	
4	4811900	1	Washer M8	
5	1001164498	1	Plinth, Seat	
6	1001170515	1	Insert, Storage Tray	
7	1001196076	1	Plug	
8	1001264612	1	Seat Assembly (See Separate Breakdown in this Section)	
9	1001266488	1	Light, Indicator - Red	
10	1001268744	1	Harness, Seat Belt Alarm (See Separate Breakdown in ELECTRICAL Section)	
11	4010608002	1	Screw M6X16	

# SECTION 6 - CAB

## FIGURE 6-39. SEAT



ART\_1001197027-D

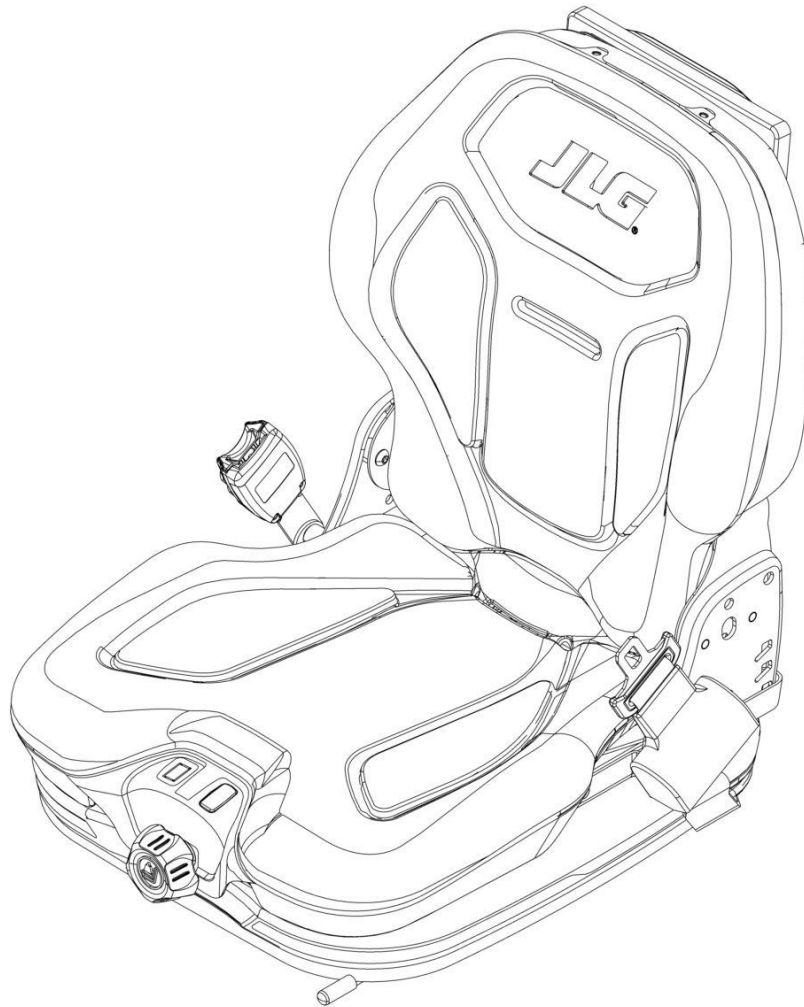


FIGURE 6-39. SEAT

ITEM	PART NUMBER	QTY	DESCRIPTION	REV
	1001197027	Ref	Seat	D
1	70027024	1	Suspension Assembly Kit	
2	70027025	1	Spring Saddle Assembly Kit	
4	70027026	1	Back Cushion Kit	
5	70027028	1	Seat Cushion Assembly Kit	
7	70027030	1	Boot Kit	
9	7026798	1	Adjuster Kit	
10	70027032	1	Tether Strap	
11	70027033	1	Weight Adjust Knob Kit	
12	70027034	2	Seat Belt Kit	
13	70027035	1	Document Box Kit	

**SECTION 6 - CAB**

**FIGURE 6-40. SEAT ASSEMBLY – VINYL**



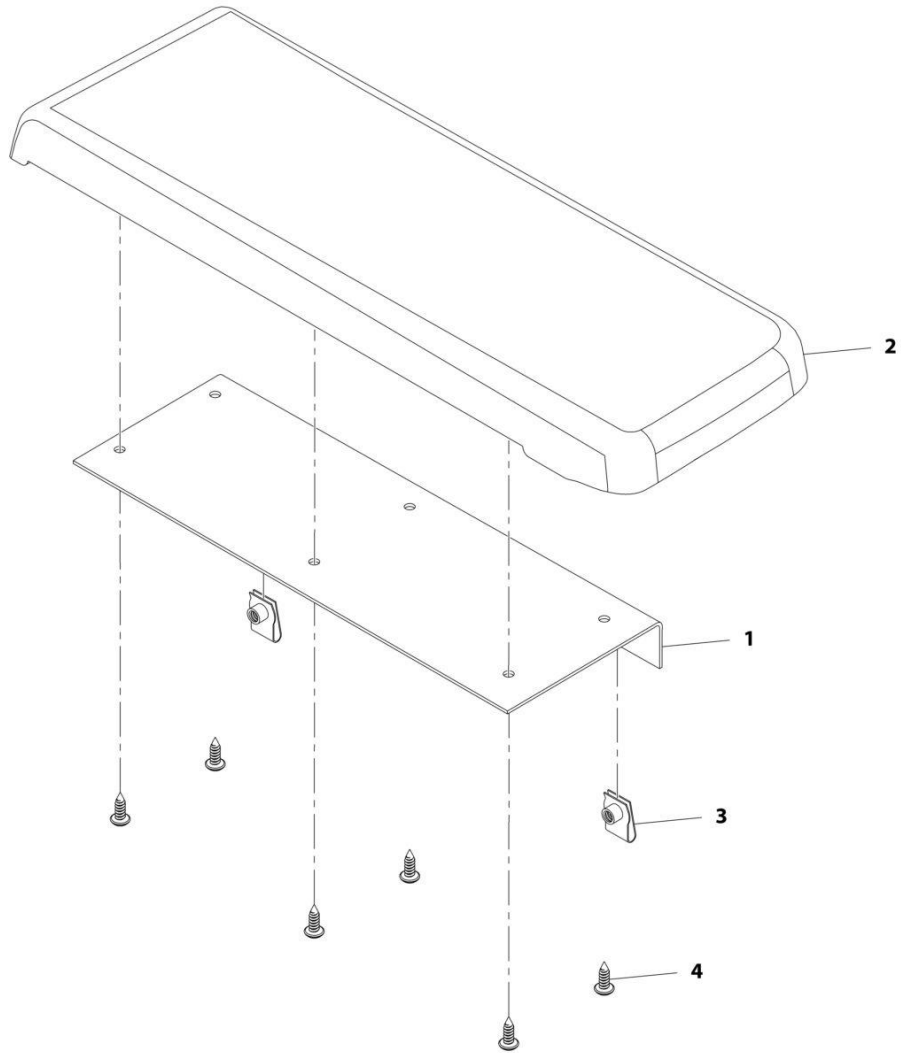
ART\_1001264612

**FIGURE 6-40. SEAT ASSEMBLY – VINYL**

ITEM	PART NUMBER	QTY	DESCRIPTION	REV
	1001264612	Ref	SEAT ASSEMBLY – VINYL	A
		Ref	Note: No Service Parts Available at Time of Printing.	

# SECTION 6 - CAB

## FIGURE 6-41. ARMREST



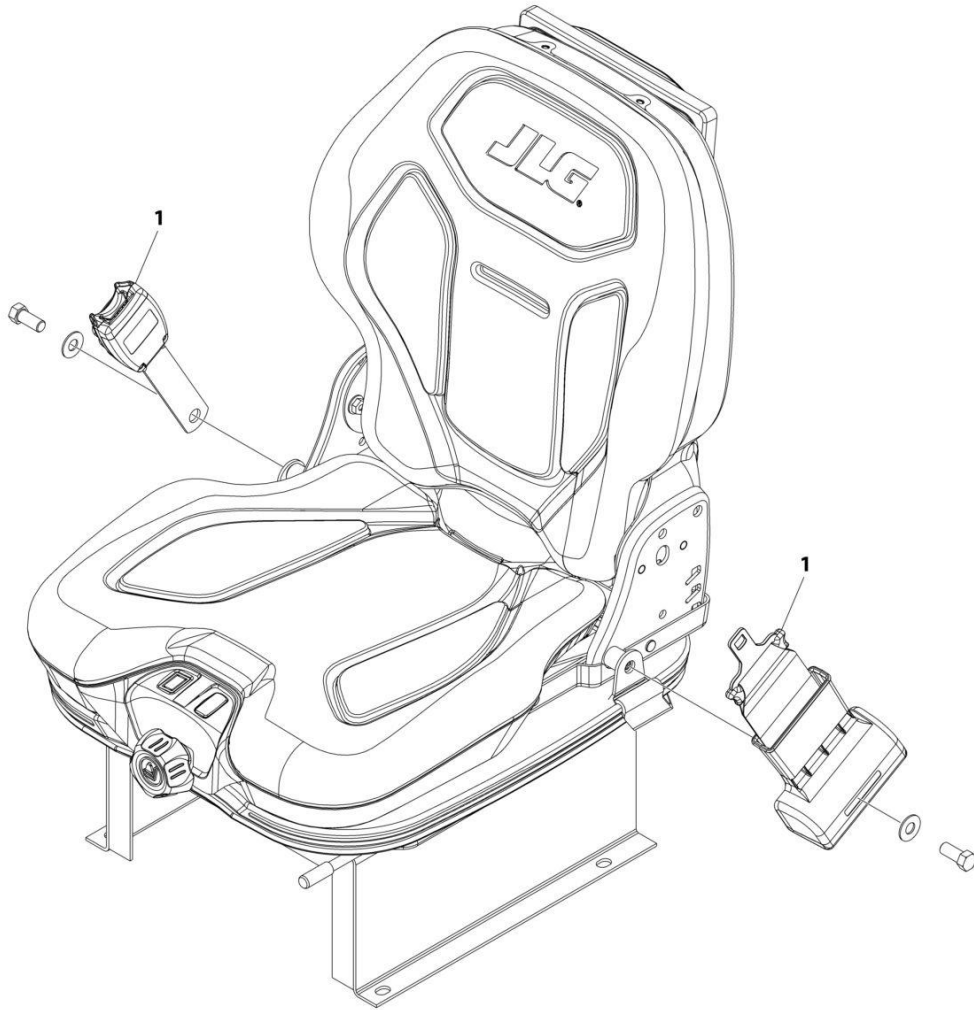
ART\_1001161854-E

**FIGURE 6-41. ARMREST**

<b>ITEM</b>	<b>PART NUMBER</b>	<b>QTY</b>	<b>DESCRIPTION</b>	<b>REV</b>
	1001161854	Ref	Armrest Assembly	E
1	1001174581	1	Bracket	
2	1001179484	1	Arm Rest	
3	1001183550	2	Nut, Cage M5	
4	1001192240	6	Screw	

# SECTION 6 - CAB

## FIGURE 6-42. SEAT BELT INSTALLATION (3 INCH)



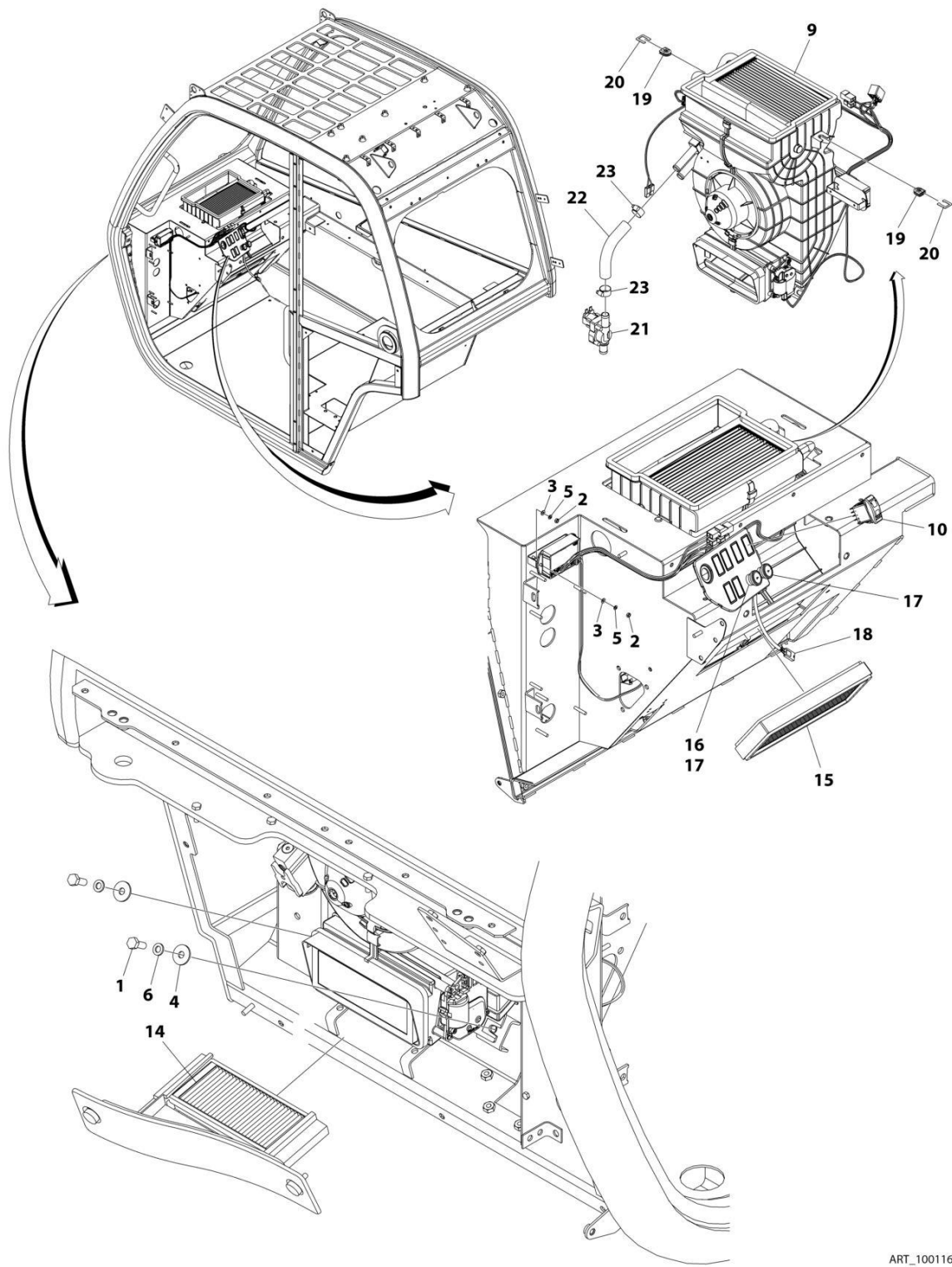
ART\_1001258245

**FIGURE 6-42. SEAT BELT INSTALLATION (3 INCH)**

ITEM	PART NUMBER	QTY	DESCRIPTION	REV
1	1001258245	Ref	Seat Belt Installation (3in Width)	A
	1001258244	1	Seat Belt (3in)	

# SECTION 6 - CAB

## FIGURE 6-43. HEATER INSTALLATION



ART\_1001160043-L

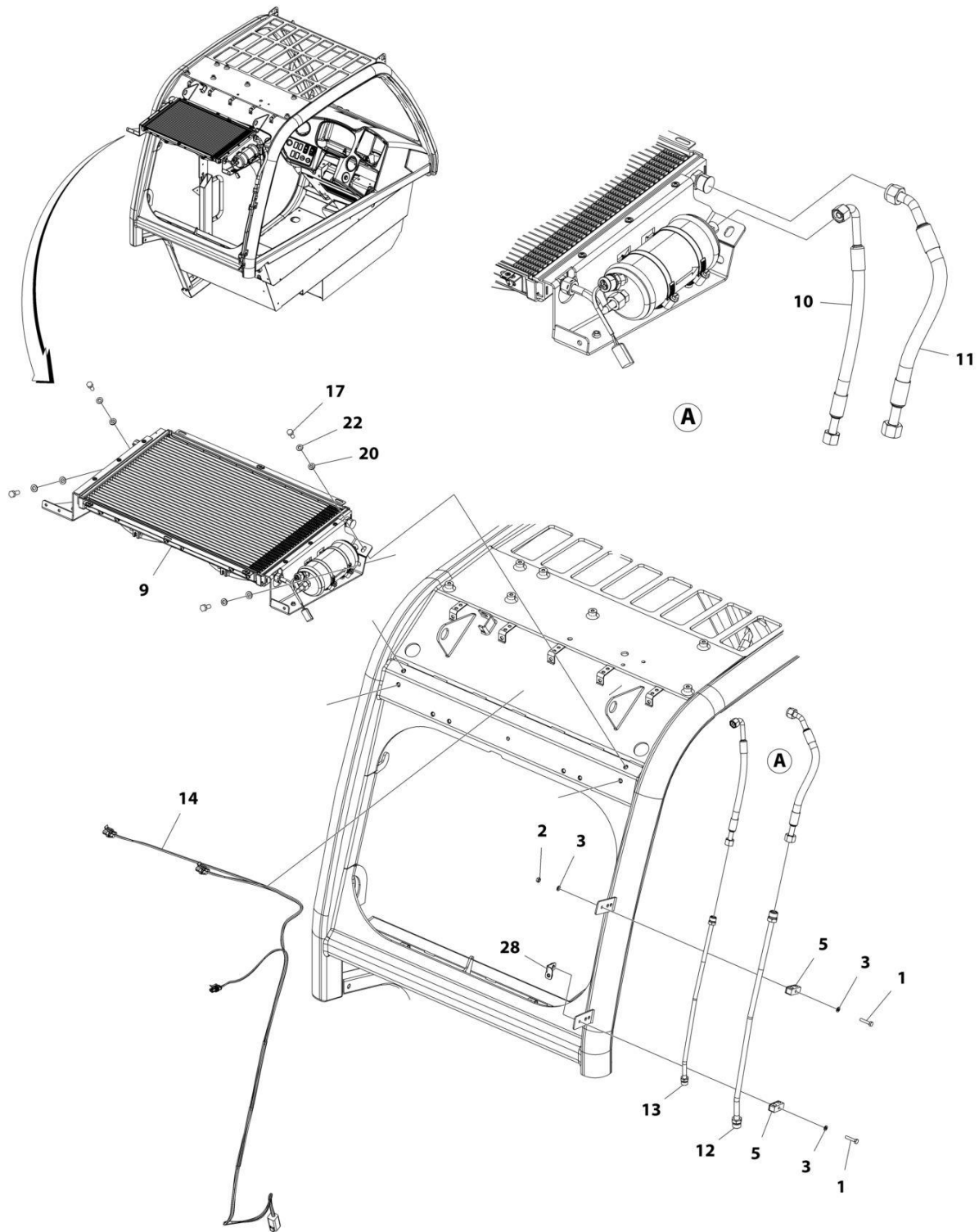


FIGURE 6-43. HEATER INSTALLATION

ITEM	PART NUMBER	QTY	DESCRIPTION	REV
	1001160043	Ref	HEATER INSTALLATION	L
1	0760810	2	Bolt M8 x 20	
2	3290401	4	Nut M4	
3	4811400	4	Washer M4	
4	4811902	2	Washer M8	
5	4831400	4	Washer M4	
6	4831900	2	Washer M8	
9	1001268827	1	Assembly, Heater (See Separate Breakdown in this Section)	
10	1001159925	1	Switch, HVAC Recycle	
14	1001218996	1	Filter, HVAC Air	
15	1001172553	1	Filter, HVAC Recirculation Air	
16	1001172547	1	Switch, HVAC Rotary 3 Speed	
17	1001172550	2	Knob, HVAC Control	
18	1001270976	1	Cable, HVAC	
19	1001188590	2	Grommet	
20	1001218542	2	Shim	
21	1001221059	1	Valve, Water	
22	1001221295	1	House	
23	8410009	2	Clamp	

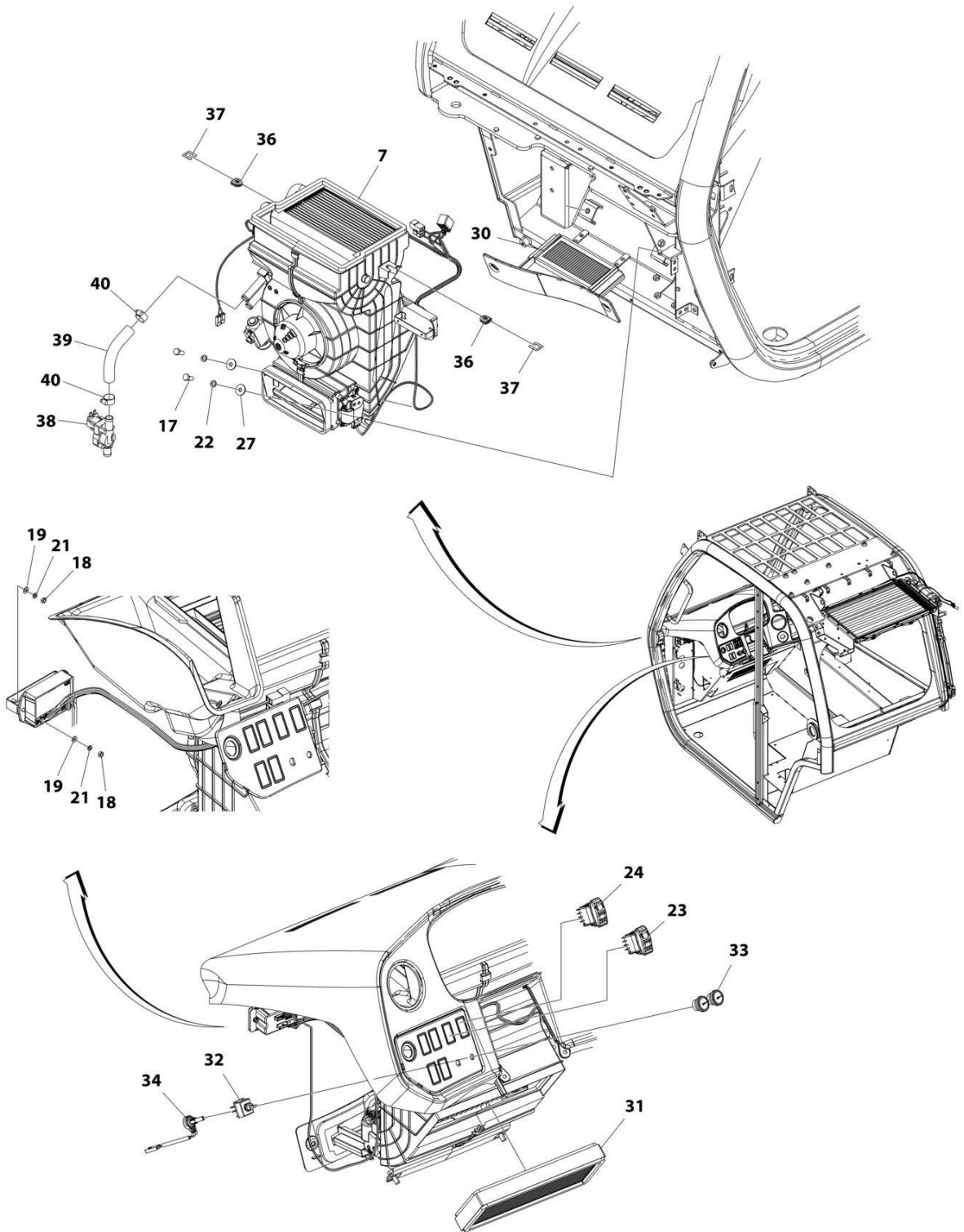
# SECTION 6 - CAB

## FIGURE 6-44. HEATER AND A/C INSTALLATION (CAB PARTS)



ART\_1001160042\_O\_10F2

# SECTION 6 - CAB



ART\_1001160042\_O\_20F2

## SECTION 6 - CAB

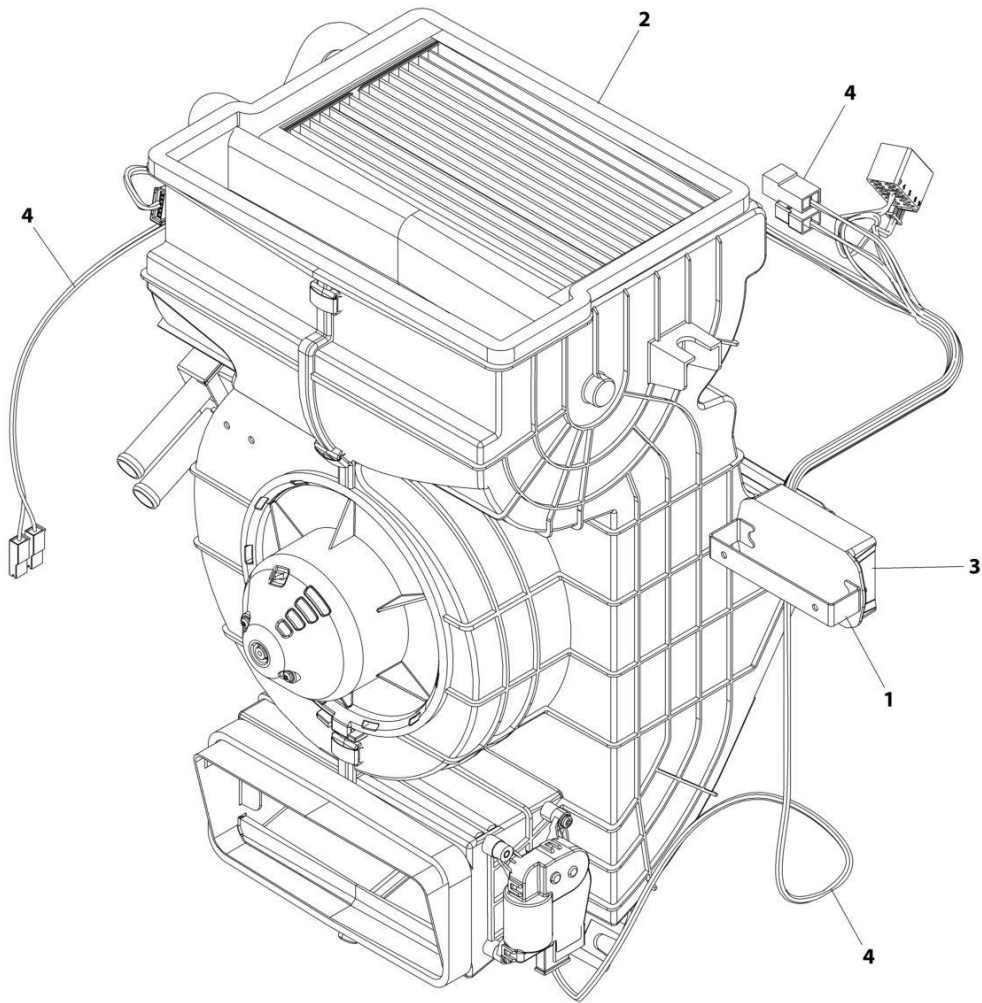
**FIGURE 6-44. HEATER AND A/C INSTALLATION (CAB PARTS)**

ITEM	PART NUMBER	QTY	DESCRIPTION	REV
	1001160042	Ref	HEATER AND A/C INSTALLATION (CAB PARTS)	O
1	0700614	2	Bolt M6 x 30	
2	3290601	1	Nut M6	
3	4811700	3	Washer M6	
5	1001145539	2	Support, Pipe	
7	1001268831	1	Assembly, Heater and A/C (See Separate Breakdown in this Section)	
9	1001162953	1	Assembly, Cab Condenser (See Separate Breakdown in this Section)	
10	1001168327	1	Hose	
11	1001168330	1	Hose	
12	1001168331	1	Tube	
13	1001168456	1	Tube	
14	1001169151	1	Harness, A/C Option (See Separate Breakdown in ELECTRICAL Section)	
17	0760810	6	Bolt M8 x 20 GR8.8	
18	3290401	4	Nut M4	
19	4811400	4	Washer M4	
20	4811900	4	Washer M8	
21	4831400	4	Washer M4	
22	4831900	6	Washer M8	
23	1001159925	1	Switch, HVAC Recycle	
24	1001160326	1	Switch, HVAC On/Off	
27	4811902	2	Washer M8	
28	1001178170	1	Bracket	
30	1001218996	1	Filter, HVAC Fresh Air	
31	1001172553	1	Filter, HVAC Air Recirculation	
32	1001172547	1	Switch, HVAC Rotary 3 Speed	
33	1001172550	2	Knob, HVAC Control	
34	1001270976	1	Cable, HVAC	
35	1320022	1	Clamp	
36	1001188590	2	Grommet	
37	1001218542	2	Shim	
38	1001221059	1	Valve, Water	
39	1001221295	1	Hose	
40	8410009	2	Clamp	



# SECTION 6 - CAB

## FIGURE 6-45. HEATER ASSEMBLY



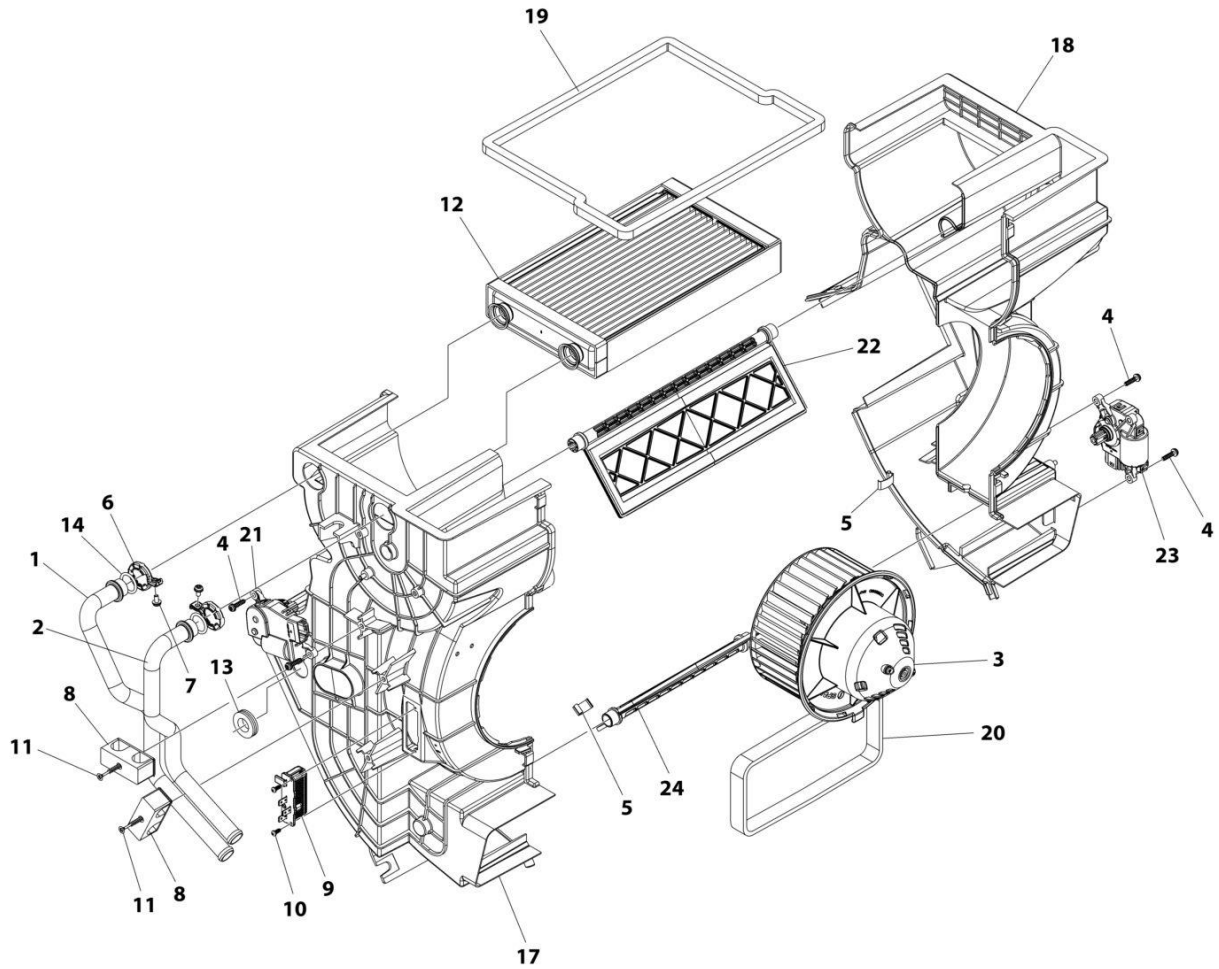
ART\_100126827

FIGURE 6-45. HEATER ASSEMBLY

ITEM	PART NUMBER	QTY	DESCRIPTION	REV
	1001268827	Ref	HEATER ASSEMBLY	A
1	1001264976	1	Bracket	
2	1001268828	1	Heater, Cab (See Separate Breakdown in this Section)	
3	1001268829	1	Actuator, HVAC Cab	
4	1001268830	1	Harness, HVAC Actuator	

# SECTION 6 - CAB

## FIGURE 6-46. HEATER ASSEMBLY



ART\_1001268828

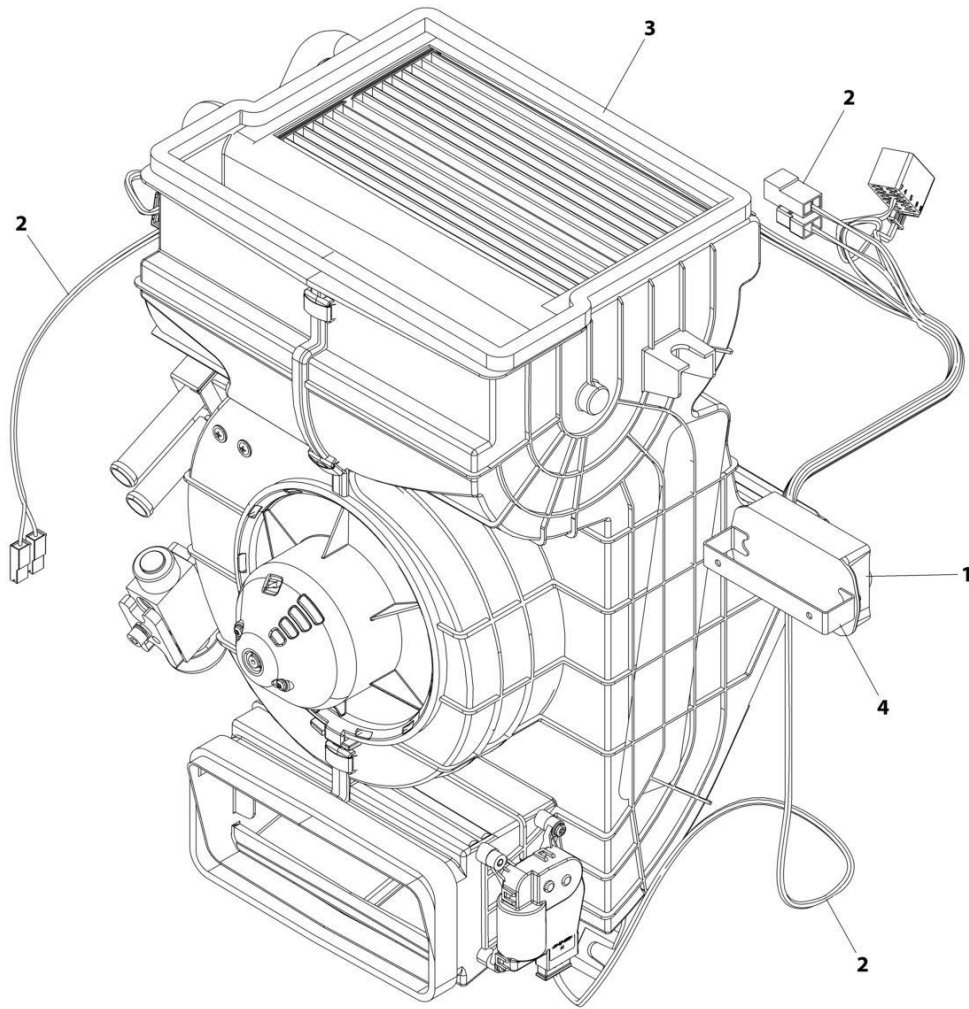


FIGURE 6-46. HEATER ASSEMBLY

ITEM	PART NUMBER	QTY	DESCRIPTION	REV
	1001268828	Ref	HEATER	A
1	1001184296	1	Pipe, Water	
2	1001184297	1	Pipe, Water	
3	1001188594	1	Fan, 12V	
4	1001188602	4	Screw	
5	1001188603	9	Clamp	
6	1001188604	2	Clamp	
7	1001188610	2	Screw	
8	1001188612	2	Clamp	
9	1001188614	1	Resistor	
10	1001188720	2	Screw	
11	1001188725	2	Screw	
12	1001188729	1	Radiator, Heater Core	
13	1001188733	1	Grommet	
14	1001189025	2	O-Ring	
17	1001269555	1	Housing, RH	
18	1001269556	1	Housing, LH	
19	1001269558	1	Foam, Air Outlet	
20	1001269559	1	Foam, Air Inlet	
21	1001269560	1	Actuator, Fresh/Recirculation Air	
22	1001269561	1	Flap, Mixing	
23	1001269563	1	Actuator, Fresh/Recirculation Air	
24	1001269564	1	Flap, HVAC Fresh	

# SECTION 6 - CAB

## FIGURE 6-47. HEATER AND A/C ASSEMBLY



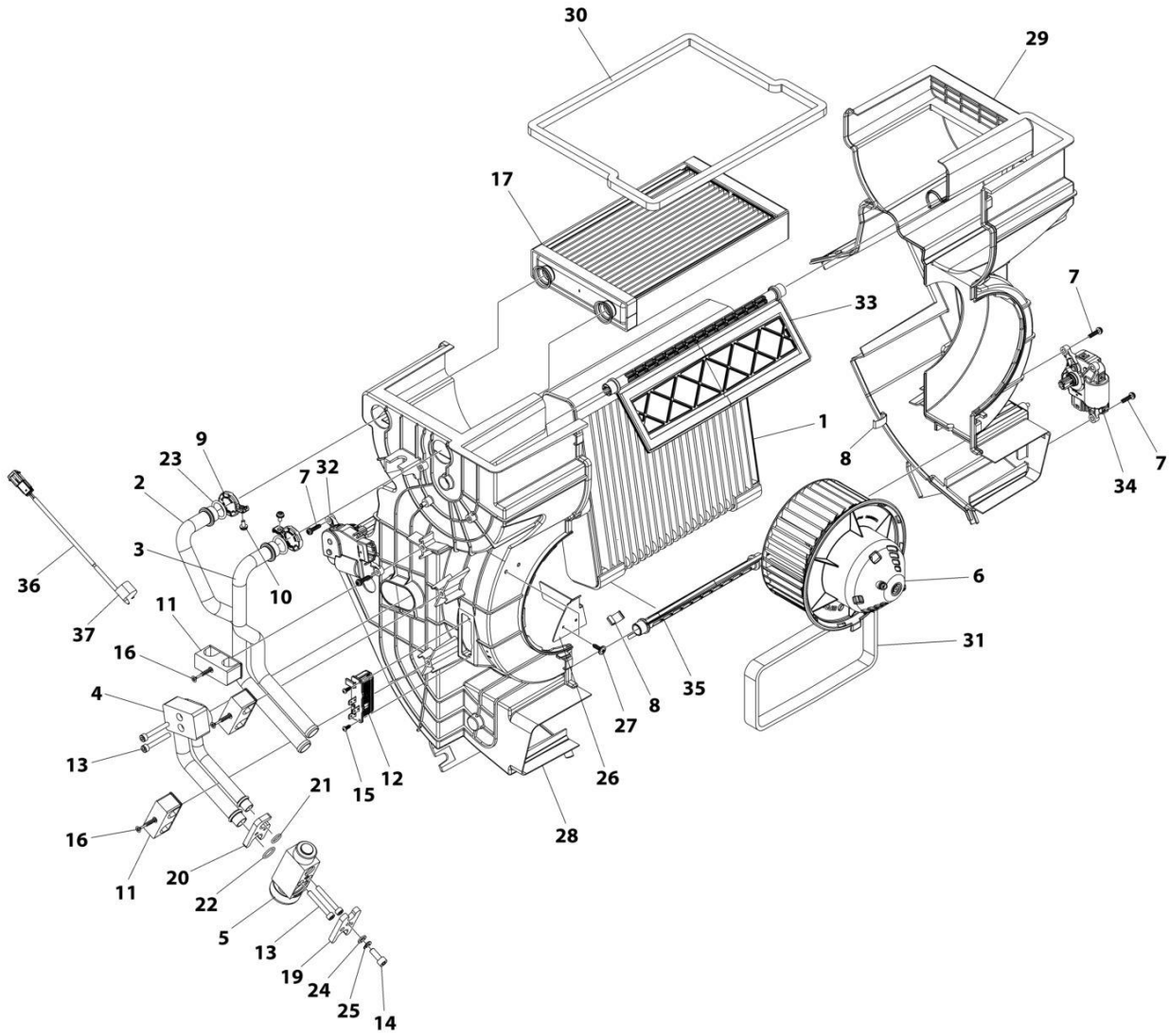
ART\_1001268831

FIGURE 6-47. HEATER AND A/C ASSEMBLY

ITEM	PART NUMBER	QTY	DESCRIPTION	REV
	1001268831	Ref	HEATER AND A/C ASSEMBLY	A
1	1001268829	1	Actuator, HVAC Cab	
2	1001268830	1	Harness, HVAC Actuator	
3	1001268832	1	Heater and A/C (See Separate Breakdown in this Section)	
4	1001264976	1	Bracket	

# SECTION 6 - CAB

## FIGURE 6-48. HEATER AND A/C ASSEMBLY



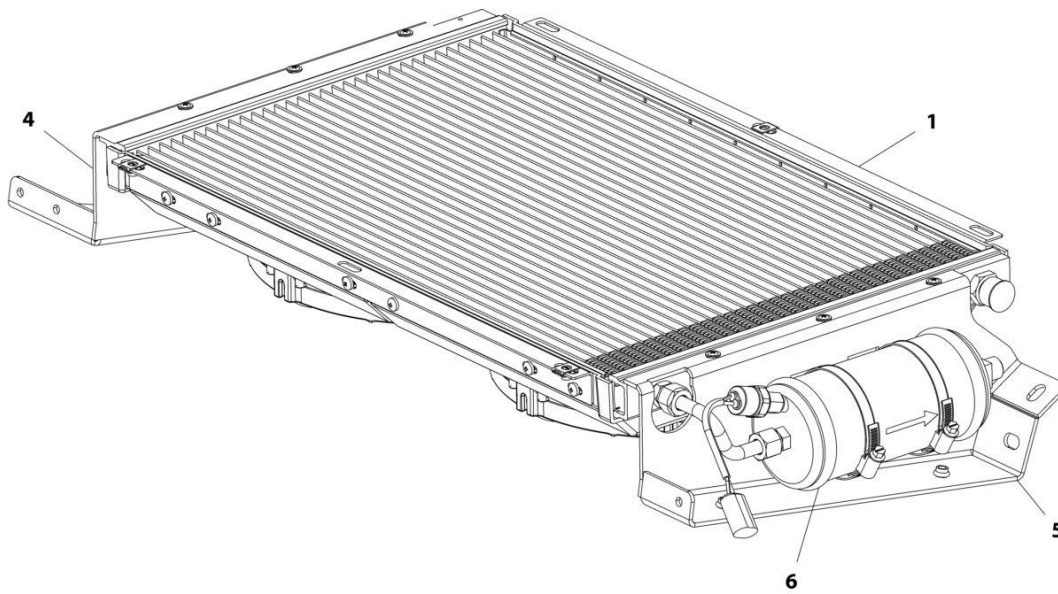
ART\_1001268832

FIGURE 6-48. HEATER AND A/C ASSEMBLY

ITEM	PART NUMBER	QTY	DESCRIPTION	REV
	1001268832	Ref	HEATER AND A/C	A
1	1001184280	1	Evaporator, Heater	
2	1001184296	1	Pipe, Heater Water	
3	1001184297	1	Pipe, Heater Water	
4	1001184427	1	Pipe, Heater	
5	1001188592	1	Valve, HVAC Expansion	
6	1001188594	1	Fan, HVAC Centrifugal 12V	
7	1001188602	4	Screw M4	
8	1001188603	9	Clamp, HVAC Case	
9	1001188604	2	Clamp, HVAC Pipe	
10	1001188610	2	Screw M4	
11	1001188612	3	Clamp, Pipe	
12	1001188614	1	Resistor	
13	1001188618	4	Screw M5	
14	1001188619	1	Screw M6	
15	1001188720	2	Screw M2.9 x 9.5	
16	1001188725	3	Screw M4 x 35	
17	1001188729	1	Radiator, Heater Core	
19	1001188817	1	Clamp, Hose	
20	1001188818	1	Clamp, HVAC EVAP/Valve	
21	1001189023	1	O-Ring	
22	1001189024	1	O-Ring	
23	1001189025	2	O-Ring	
24	1001189048	1	Washer	
25	1001189054	1	Washer, Spring	
26	1001221057	1	Plate	
27	1001221058	2	Screw	
28	1001269555	1	Housing, HVAC RH	
29	1001269556	1	Housing, HVAC LH	
30	1001269558	1	Seal, Heater Outlet Foam	
31	1001269559	1	Seal, Air Inlet Foam	
32	1001269560	1	Actuator, Hot/Cold Mixing	
33	1001269561	1	Foam, Heater Mixing Flap	
34	1001269563	1	Actuator, Fresh/Recirculation Air	
35	1001269564	1	Foam, Heater Mixing Flap	
36	1001269578	1	Temperature Sensor	
37	1001269579	1	Clamp, Temperature Sensor	

# SECTION 6 - CAB

## FIGURE 6-49. CAB CONDENSER ASSEMBLY



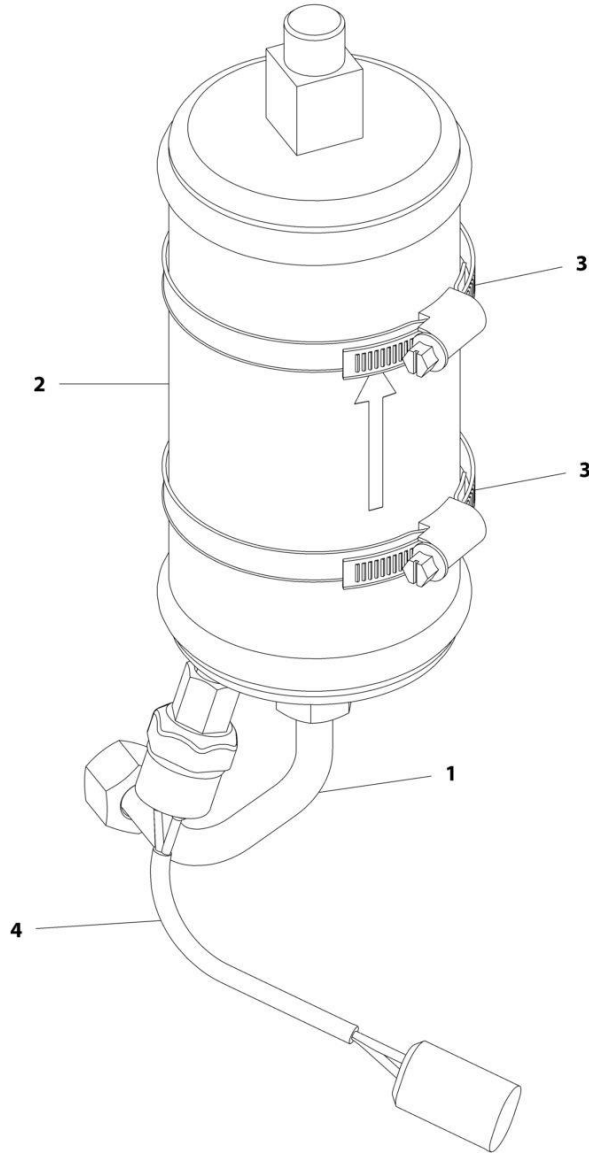
ART\_1001162953-F

FIGURE 6-49. CAB CONDENSER ASSEMBLY

ITEM	PART NUMBER	QTY	DESCRIPTION	REV
	1001162953	Ref	Cab Condenser Assembly	F
1	1001167266	1	Condenser (See Separate Breakdown in this Section)	
4	1001179080	1	Bracket	
5	1001179081	1	Bracket	
6	1001179130	1	Drier, A/C Receiver (See Separate Breakdown in this Section)	

# SECTION 6 - CAB

## FIGURE 6-50. A/C RECEIVER DRIER



ART\_1001179130-B

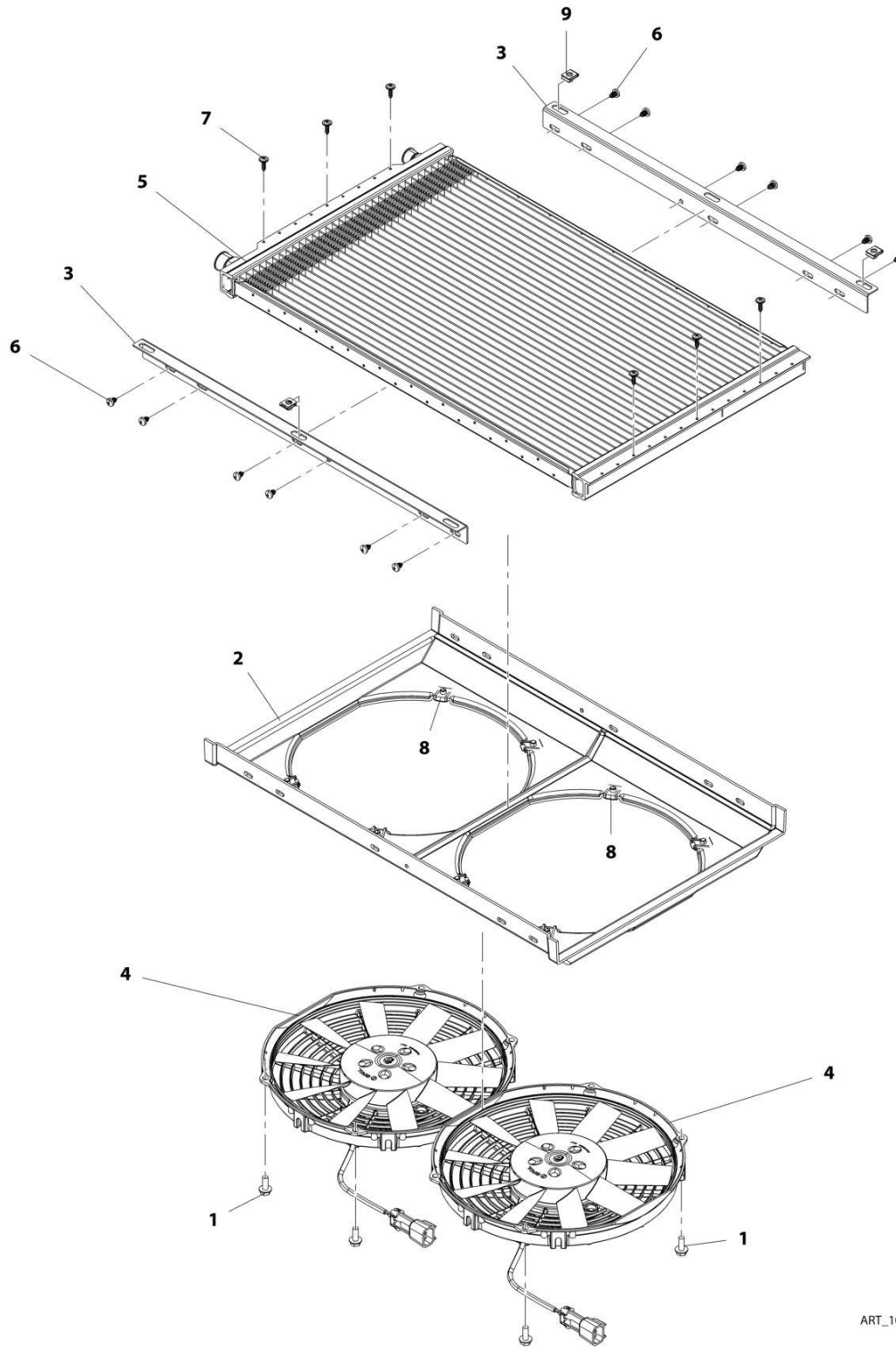


**FIGURE 6-50. A/C RECEIVER DRIER**

<b>ITEM</b>	<b>PART NUMBER</b>	<b>QTY</b>	<b>DESCRIPTION</b>	<b>REV</b>
	1001179130	Ref	A/C Receiver Drier	B
1	1001184403	1	Tube, Heater	
2	1001184404	1	Receiver, Heater Drier	
3	1001184405	2	Clamp	
4	1001184406	1	Connector, Heater	

# SECTION 6 - CAB

## FIGURE 6-51. CONDENSER



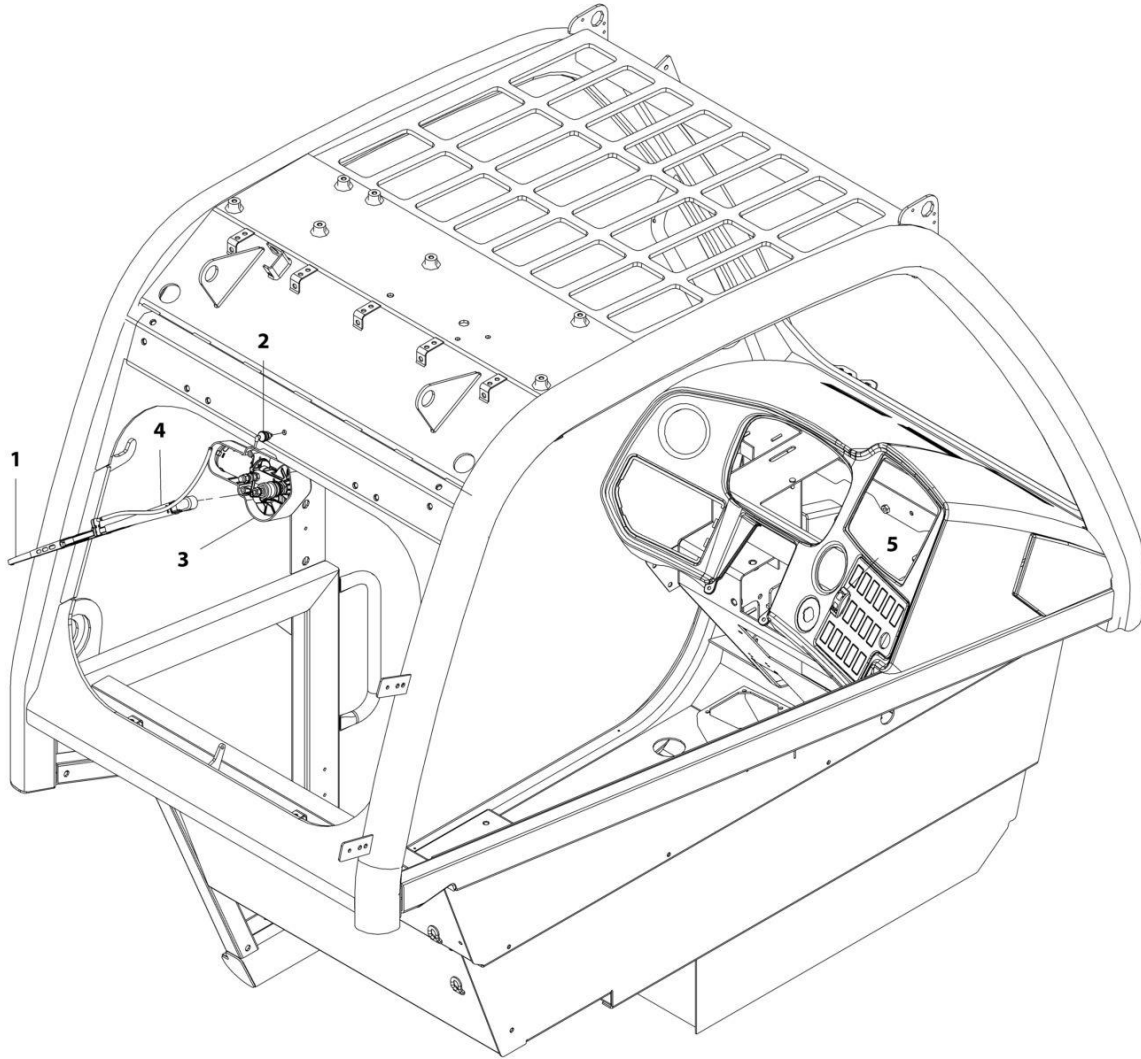
ART\_1001167266-C

FIGURE 6-51. CONDENSER

ITEM	PART NUMBER	QTY	DESCRIPTION	REV
	1001167266	Ref	Condenser	C
1	5250608	8	Bolt, M6X16	
2	1001195342	1	Bracket, Condenser Fan Mount	
3	1001195343	2	Support, Condenser	
4	1001195345	2	Fan, Condenser	
5	1001195346	1	Condenser	
6	1001195385	12	Screw, M3.9X9.5	
7	1001195386	6	Screw, M4.2X16	
8	1001195437	8	Clip, M6X1	
9	1001195438	3	Clip, M6X1	

# SECTION 6 - CAB

## FIGURE 6-52. REAR WIPER INSTALLATION



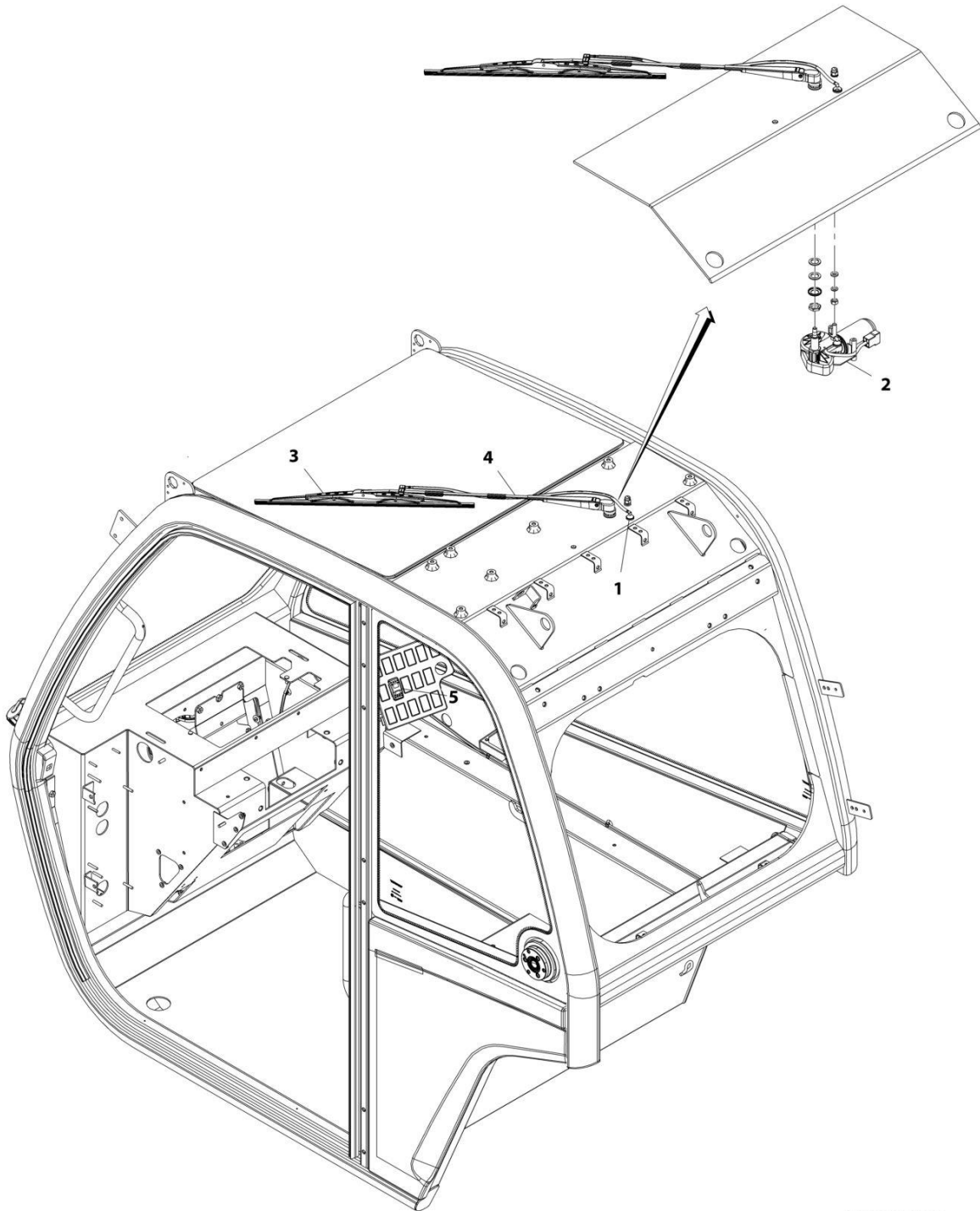
ART\_1001176164-B

FIGURE 6-52. REAR WIPER INSTALLATION

ITEM	PART NUMBER	QTY	DESCRIPTION	REV
	1001176164	Ref	Rear Wiper Installation	B
1	4807718	1	Blade, Wiper	
2	1001090343	1	Connector	
3	1001139552	1	Motor, Rear Wiper Window	
4	1001141312	1	Arm, Rear Window Wiper Blade	
5	1001159735	1	Switch, Rear Wiper	

# SECTION 6 - CAB

## FIGURE 6-53. ROOF WIPER INSTALLATION



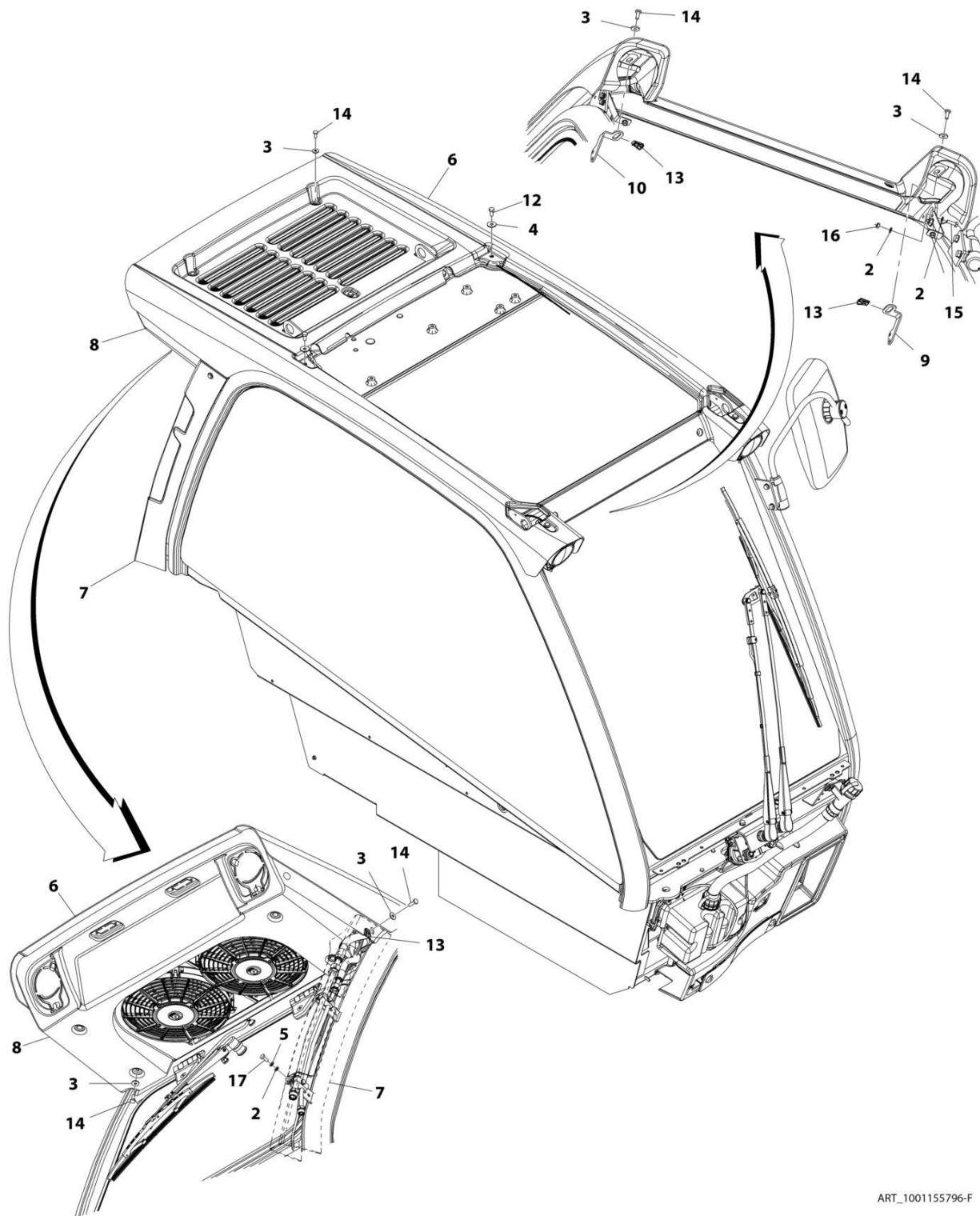
ART\_1001155486-B

FIGURE 6-53. ROOF WIPER INSTALLATION

ITEM	PART NUMBER	QTY	DESCRIPTION	REV
	1001155486	Ref	Roof Wiper Installation	B
1	1001090343	1	Connector	
2	1001139551	1	Motor, Roof Wiper	
3	1001141313	1	Blade, Roof Wiper	
4	1001141311	1	Arm, Roof Wiper Blade	
5	1001159736	1	Switch, Roof Wiper	

# SECTION 6 - CAB

## FIGURE 6-54. ROOF CAP INSTALLATION (A/C)



ART\_1001155796-F

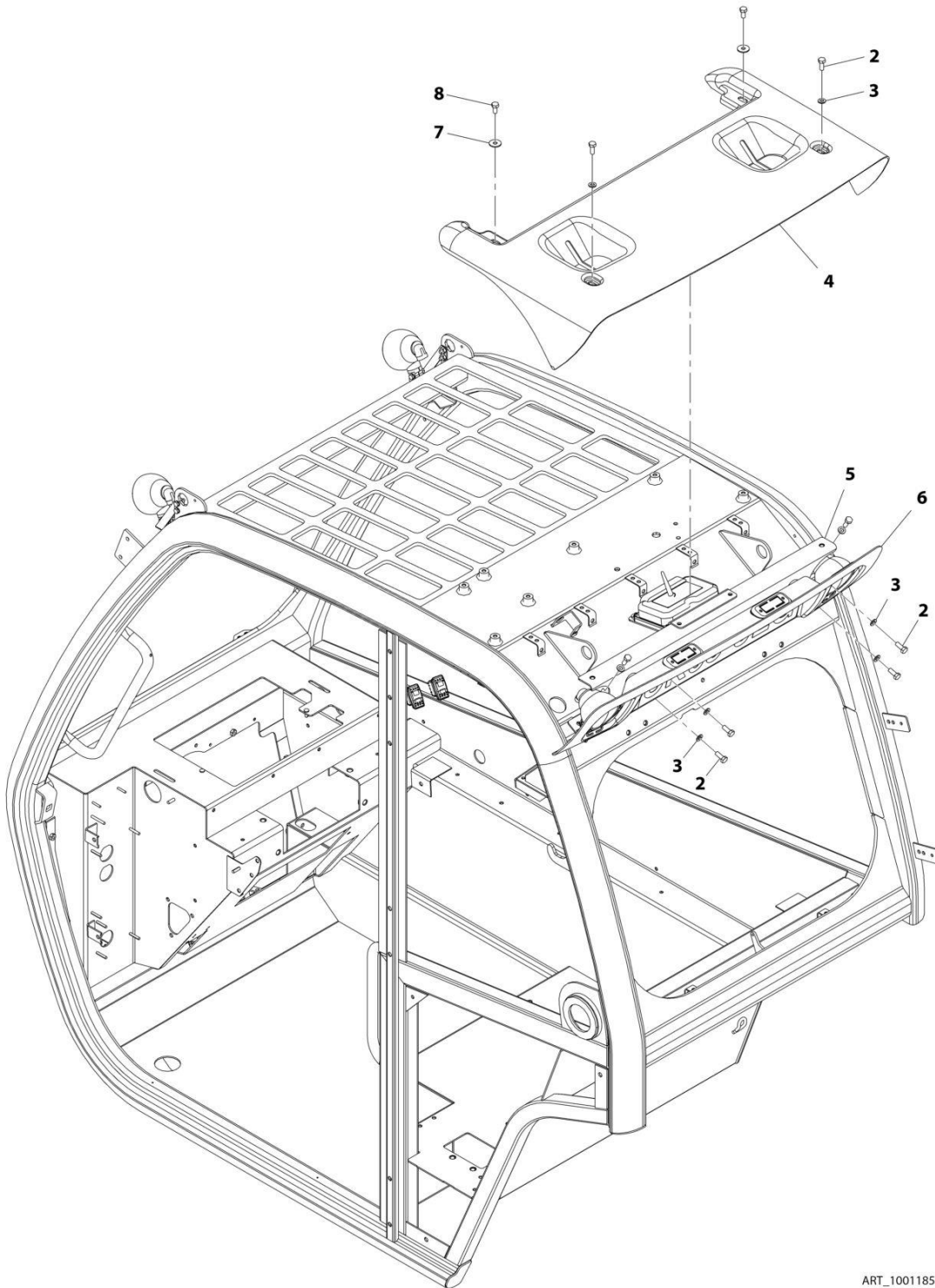


FIGURE 6-54. ROOF CAP INSTALLATION (A/C)

ITEM	PART NUMBER	QTY	DESCRIPTION	REV
	1001155796	Ref	Roof Cap Installation (A/C) (Construction)	F
2	4811700	9	Washer, M6	
3	4811702	10	Washer, M6	
4	4811902	2	Washer, M8	
5	4831700	1	Washer, Lock M6	
6	1001155800	1	Cover, Upper Roof Cap	
7	1001174741	1	Cover	
8	1001214156	1	Cover, Lower Roof Cap	
9	1001174800	1	Bracket, Roof Cap	
10	1001174801	1	Bracket, Roof Cap	
12	0760808	2	Bolt, M8X16	
13	8305919	3	Nut, M6	
14	4010610002	10	Screw, Posi-Drive M6X20	
15	0700610	4	Bolt, M6X20	
16	3290601	4	Nut, M6X1	
17	4010608002	1	Screw, Posi-Drive, M6X16	

# SECTION 6 - CAB

## FIGURE 6-55. ROOF CAP INSTALLATION (NO A/C)



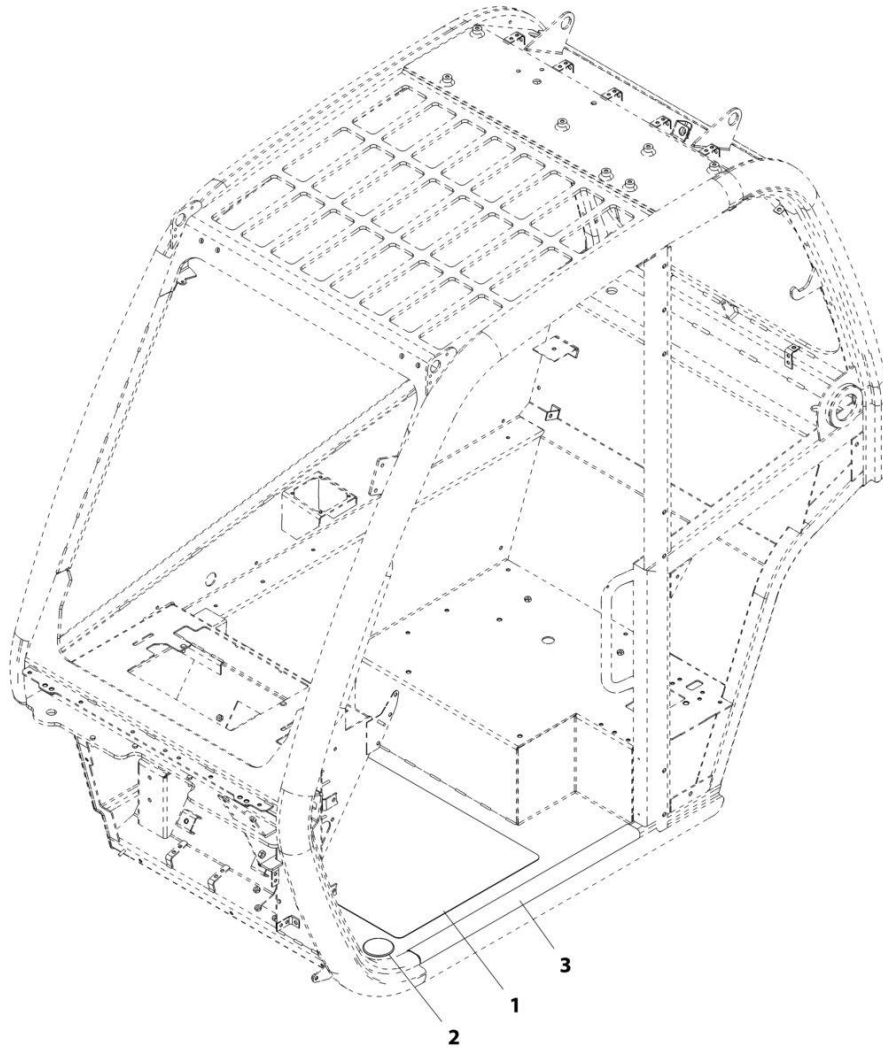
ART\_1001185846-D

FIGURE 6-55. ROOF CAP INSTALLATION (NO A/C)

ITEM	PART NUMBER	QTY	DESCRIPTION	REV
	1001185846	Ref	Roof Cap Installation (No A/C)	D
2	0760810	8	Bolt, M8X20	
3	4811900	8	Washer, M8	
4	1001182328	1	Cover, Short Upper Roof Cap	
5	1001185633	1	Bracket	
6	1001214535	2	Cover, Short Lower Roof Cap	
7	4811902	2	Washer, M8	
8	0760808	2	Bolt, M8X16	

# SECTION 6 - CAB

## FIGURE 6-56. NON SKID TAPE INSTALLATION



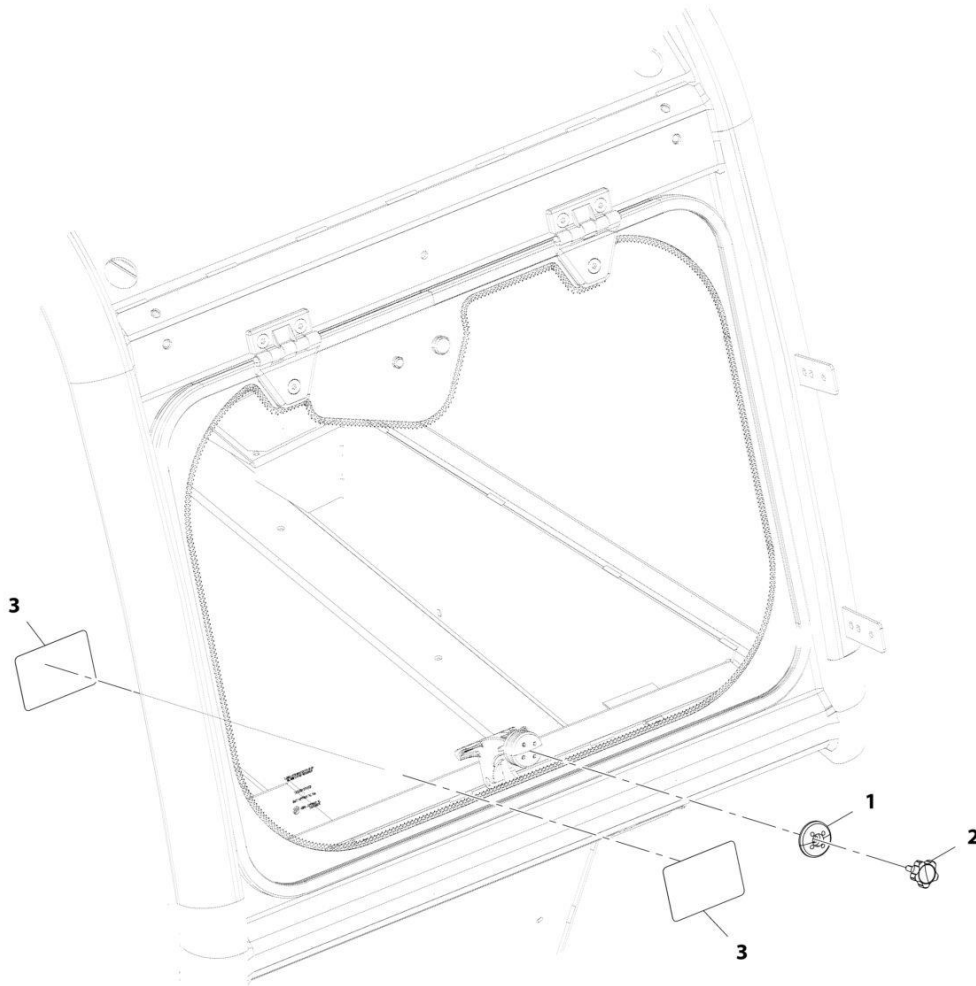
ART\_1001197219-B

FIGURE 6-56. NON SKID TAPE INSTALLATION

ITEM	PART NUMBER	QTY	DESCRIPTION	REV
	1001197219	Ref	Non Skid Tape Installation	B
1	1001197217	1	Tape, Non Skid Floor	
2	1001197218	1	Grommet	
3	1001197259	1	Tape, Non Skid Frame	

# SECTION 6 - CAB

## FIGURE 6-57. EXTERNAL WINDOW RELEASE INSTALLATION (CAN & ISO)



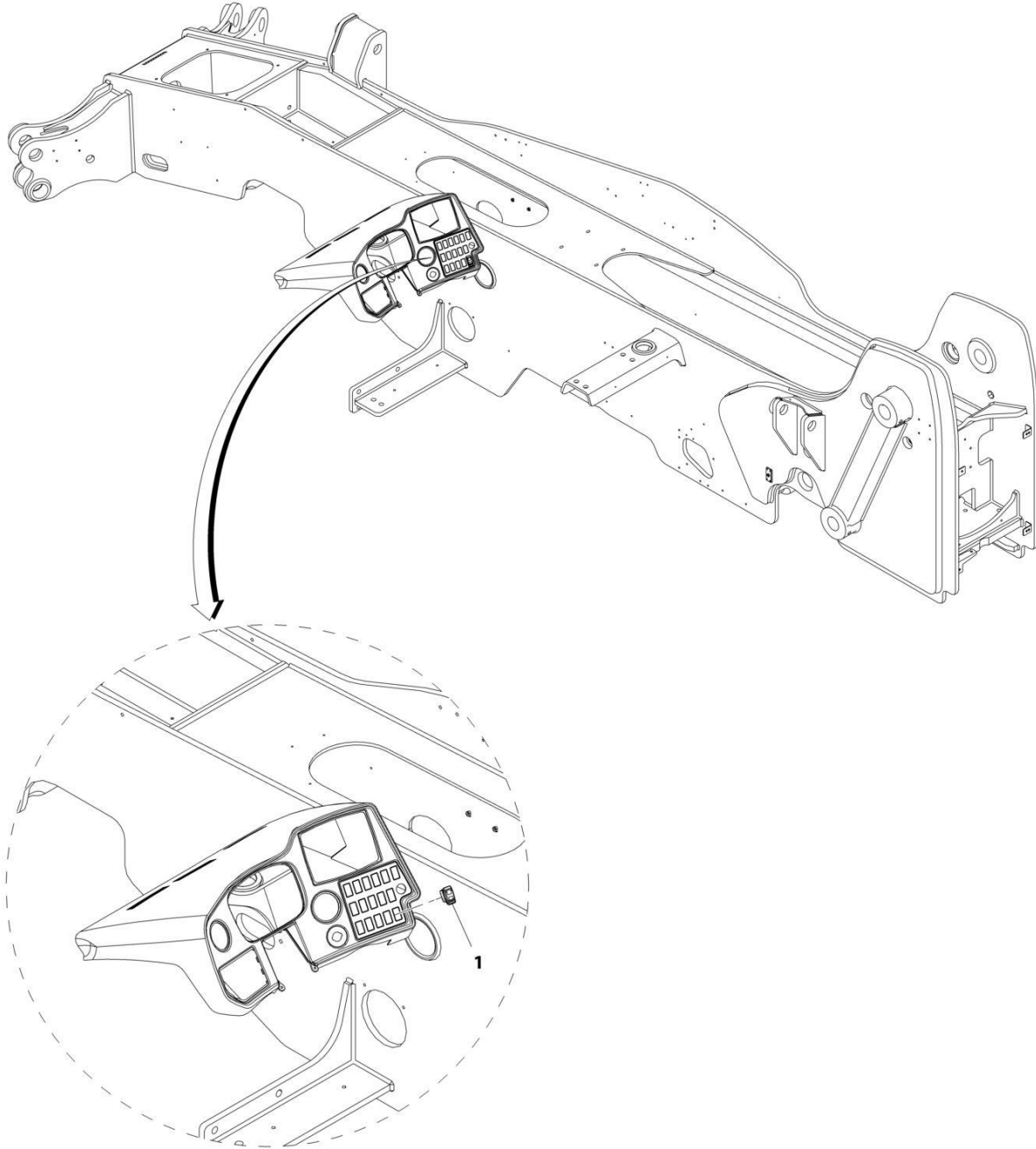
ART\_1001178826-C

FIGURE 6-57. EXTERNAL WINDOW RELEASE INSTALLATION (CAN &amp; ISO)

ITEM	PART NUMBER	QTY	DESCRIPTION	REV
	1001178826	Ref	External Window Release Installation (English/French)	C
1	1001179008	1	Cap, Latch Window	
2	1001179009	1	Knob	
3	1001204709	2	Decal, Emergency Exit (English/French)	

# SECTION 6 - CAB

## FIGURE 6-58. SWITCH LIGHT INSTALLATION



ART\_100197282-A

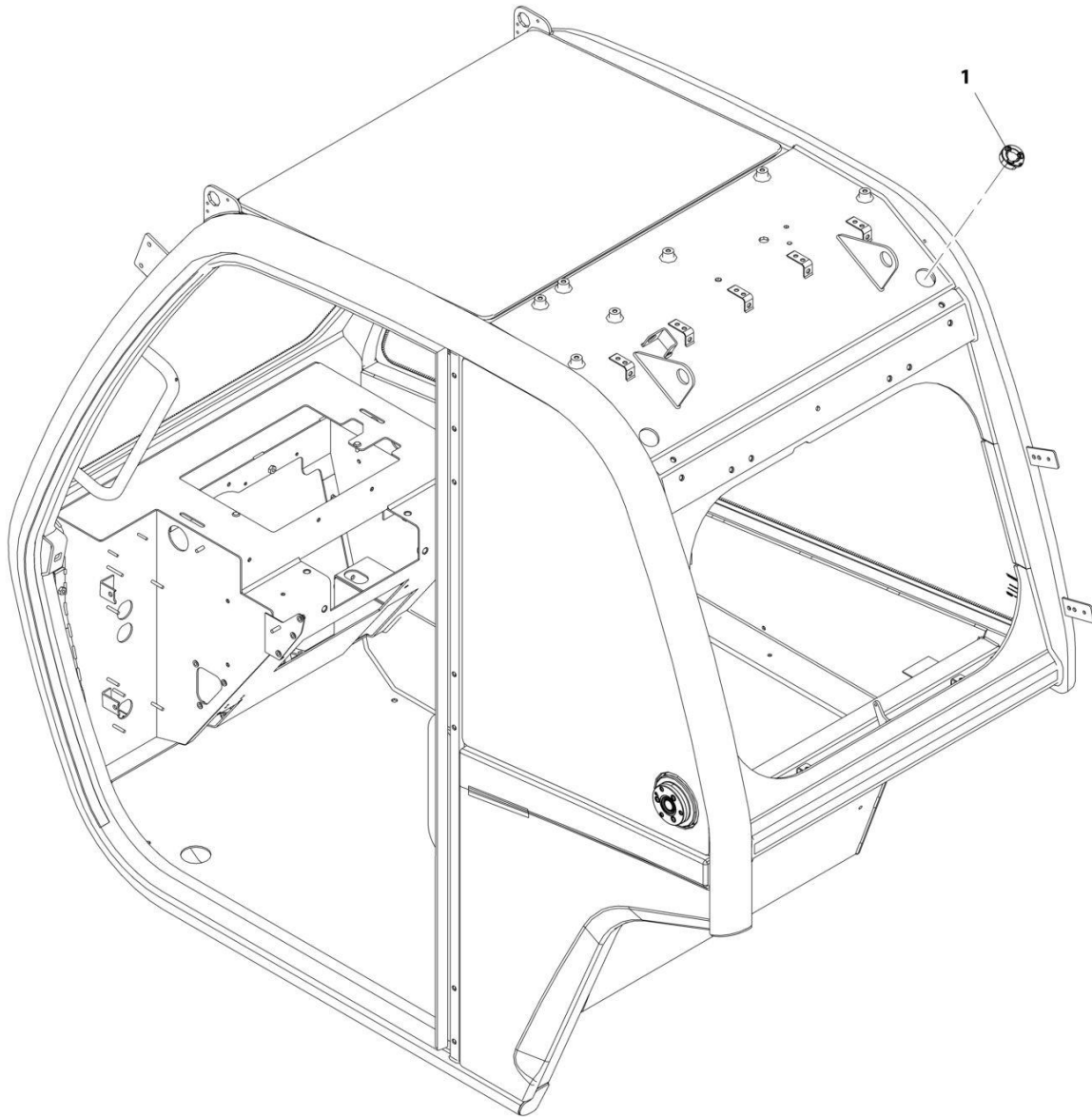


**FIGURE 6-58. SWITCH LIGHT INSTALLATION**

ITEM	PART NUMBER	QTY	DESCRIPTION	REV
1	1001197282	Ref	Switch Light Installation	A
	1001163639	1	Switch, Driving Lights	

# SECTION 6 - CAB

## FIGURE 6-59. ROOF PIGTAIL CAP INSTALLATION



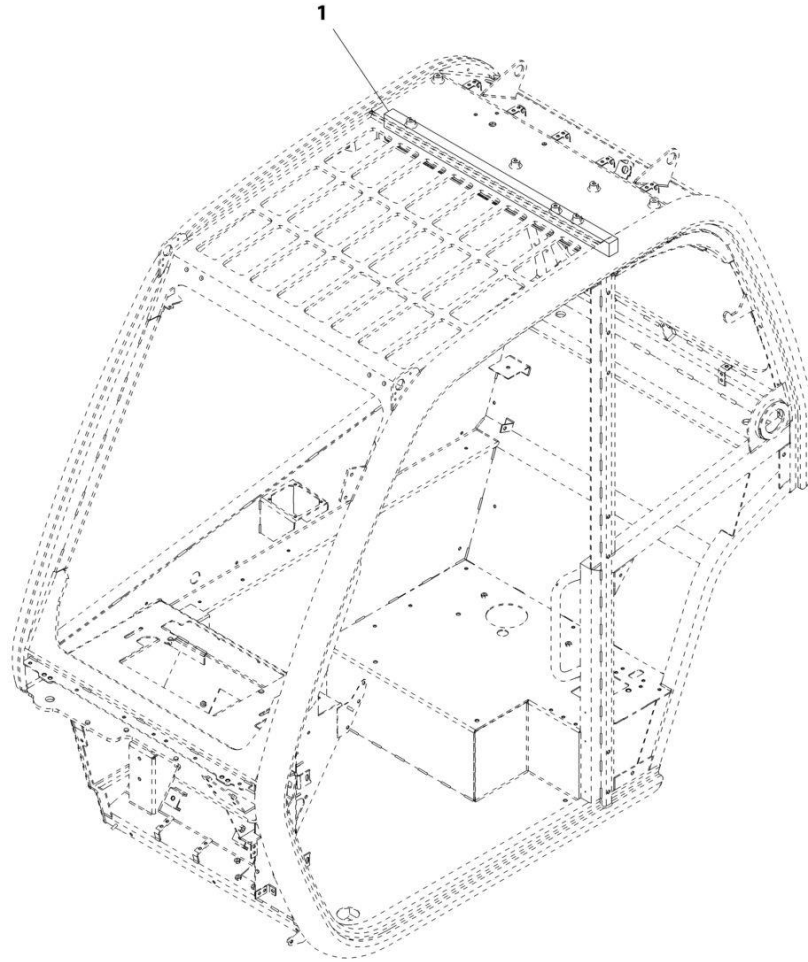
ART\_1001202138-A

**FIGURE 6-59. ROOF PIGTAIL CAP INSTALLATION**

ITEM	PART NUMBER	QTY	DESCRIPTION	REV
1	1001202138	Ref	Roof Pigtail Cap Installation	A
	1001202134	1	Cap, Deutsch Dust	

# SECTION 6 - CAB

## FIGURE 6-60. NO SUNSCREEN INSTALLATION



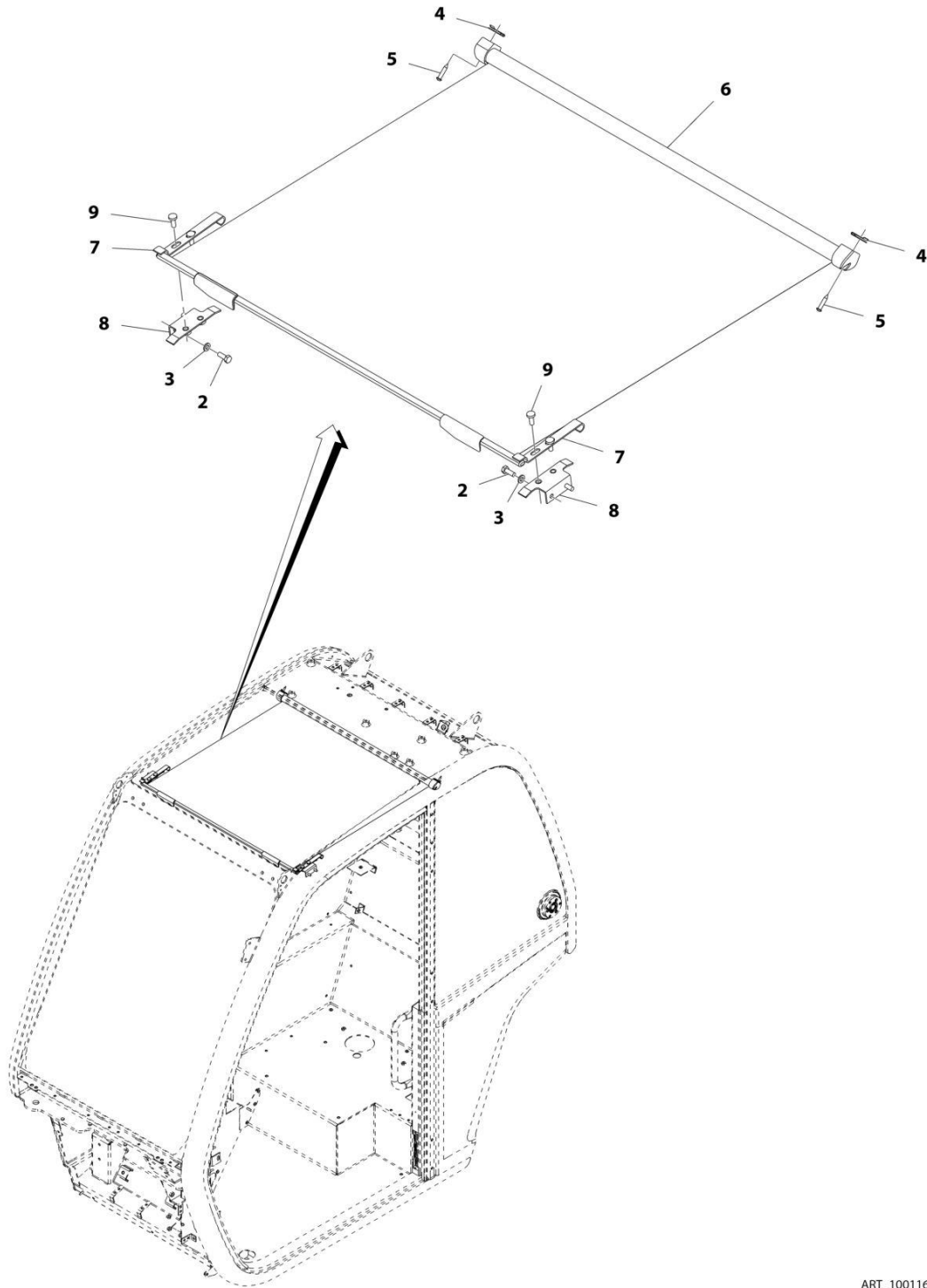
ART\_1001211041-A

**FIGURE 6-60. NO SUNSCREEN INSTALLATION**

ITEM	PART NUMBER	QTY	DESCRIPTION	REV
1	1001211041 1001208192	Ref 1	No Sunscreen Installation Seal, Foam	A

# SECTION 6 - CAB

## FIGURE 6-61. RETRACTABLE SUNSCREEN INSTALLATION



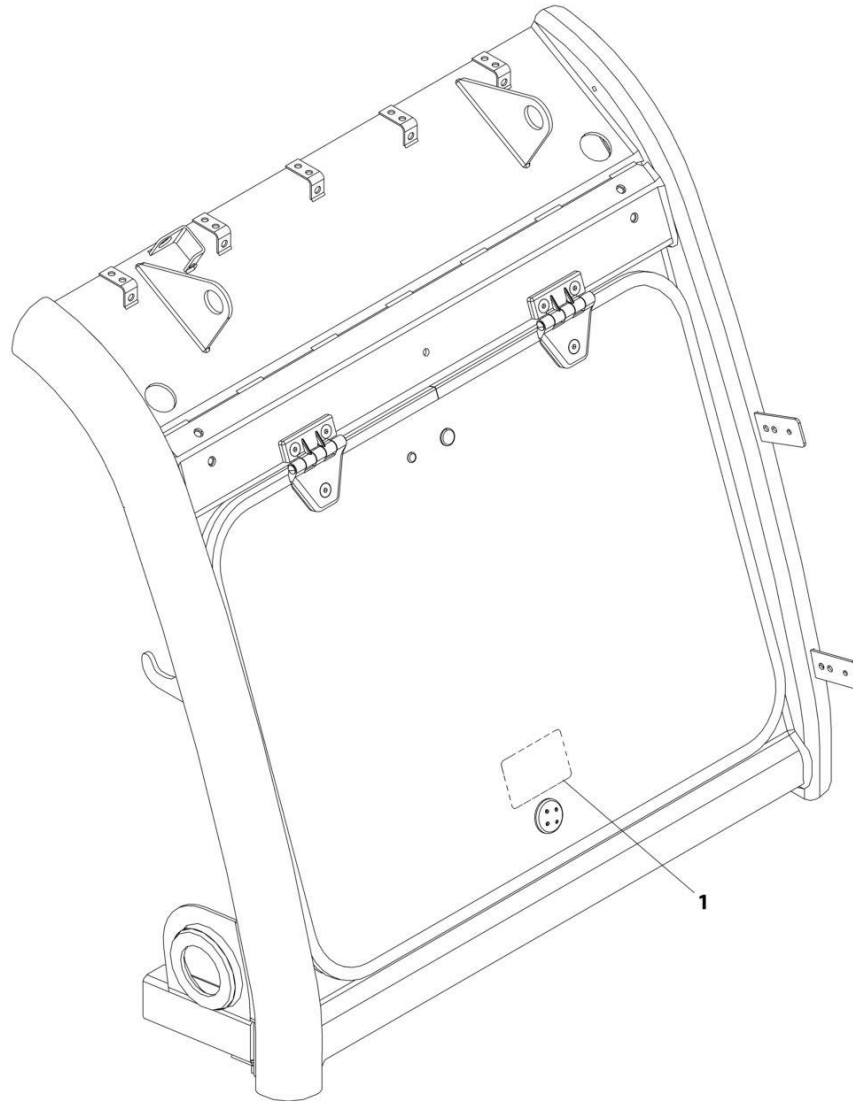
ART\_1001163151-G

FIGURE 6-61. RETRACTABLE SUNSCREEN INSTALLATION

ITEM	PART NUMBER	QTY	DESCRIPTION	REV
	1001163151	Ref	Retractable Sunscreen Installation	G
2	0760608	4	Bolt, M6X16	
3	4811700	4	Washer, M6	
4	1001111076	2	Nut	
5	1001111147	2	Screw	
6	1001163170	1	Cab, Screen Blind	
7	1001209463	2	Bracket, Sunscreen Mount	
8	1001166385	2	Bracket	
9	4010608002	4	Screw, M6X16	

# SECTION 6 - CAB

## FIGURE 6-62. REAR WINDOW EXIT DECAL INSTALLATION



ART\_1001204598-A

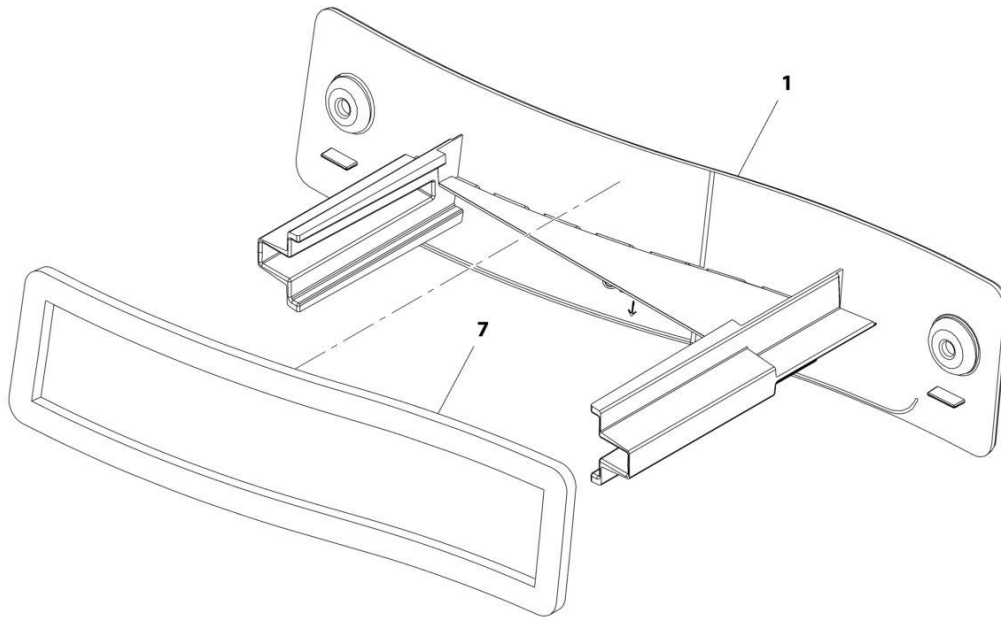


**FIGURE 6-62. REAR WINDOW EXIT DECAL INSTALLATION**

ITEM	PART NUMBER	QTY	DESCRIPTION	REV
1	1001204598 8005870	Ref 1	Rear Window Exit Decal Installation Decal, Emergency Exit	A

# SECTION 6 - CAB

## FIGURE 6-63. FILTER TRAY PANEL



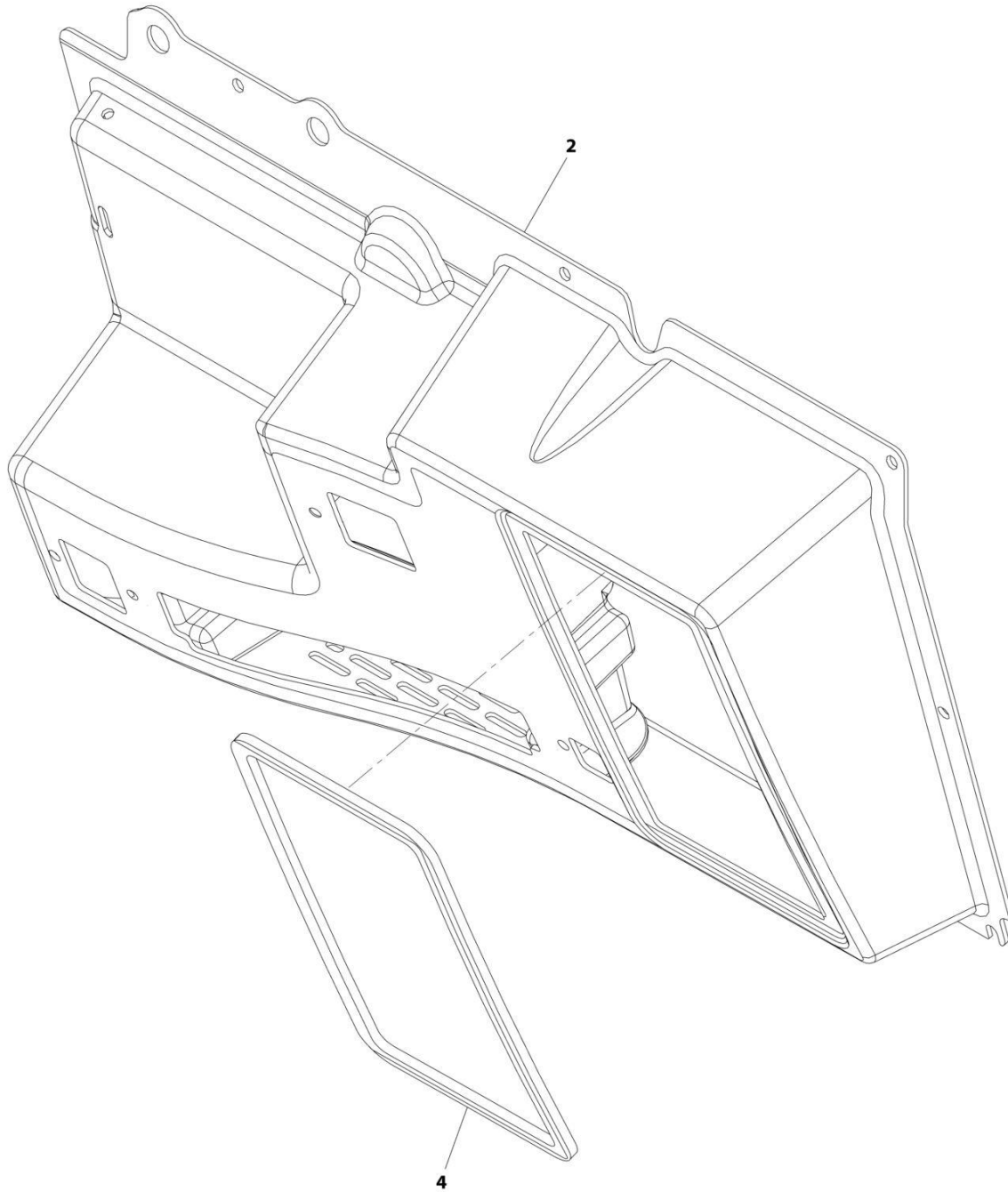
ART\_1001175471-D

**FIGURE 6-63. FILTER TRAY PANEL**

<b>ITEM</b>	<b>PART NUMBER</b>	<b>QTY</b>	<b>DESCRIPTION</b>	<b>REV</b>
	1001175471	Ref	Filter Tray Panel	D
1	1001170993	1	Panel, Front Inlet	
7	1001171767	1	Cab, Front Panel Seal	

# SECTION 6 - CAB

## FIGURE 6-64. FRONT DUCT COVER



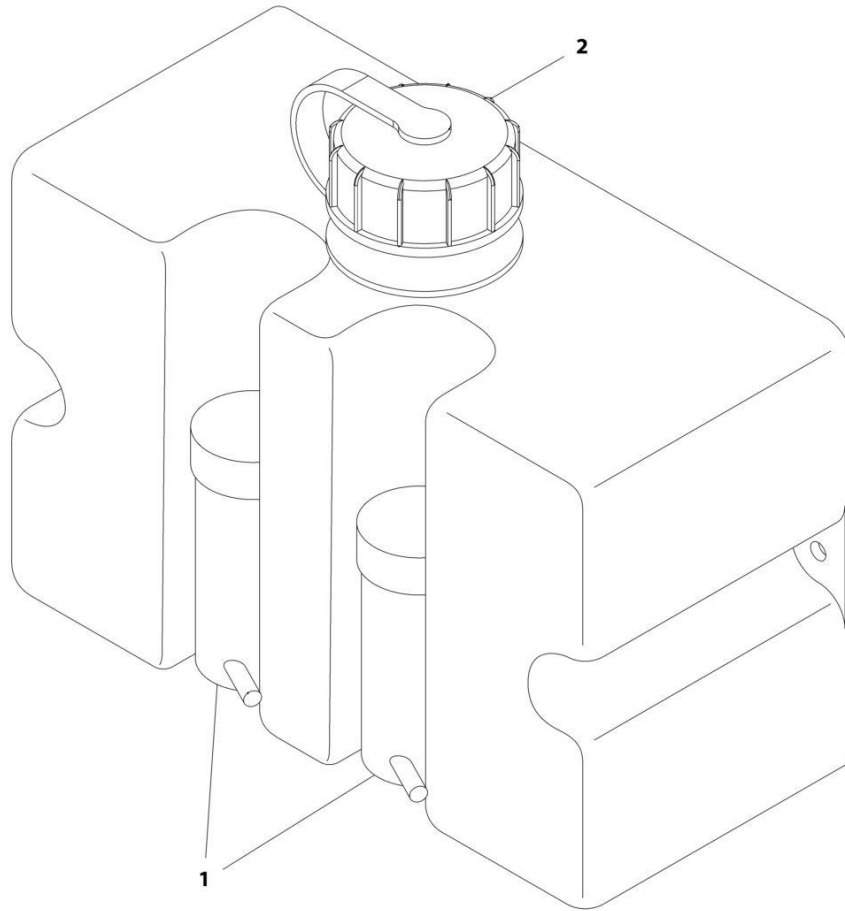
ART\_1001176121-G

**FIGURE 6-64. FRONT DUCT COVER**

<b>ITEM</b>	<b>PART NUMBER</b>	<b>QTY</b>	<b>DESCRIPTION</b>	<b>REV</b>
	1001176121	Ref	Front Duct Cover	G
2	1001170326	1	Cover, Front	
4	1001175470	1	Seal, Front Cab Panel	

# SECTION 6 - CAB

## FIGURE 6-65. WASHER BOTTLE



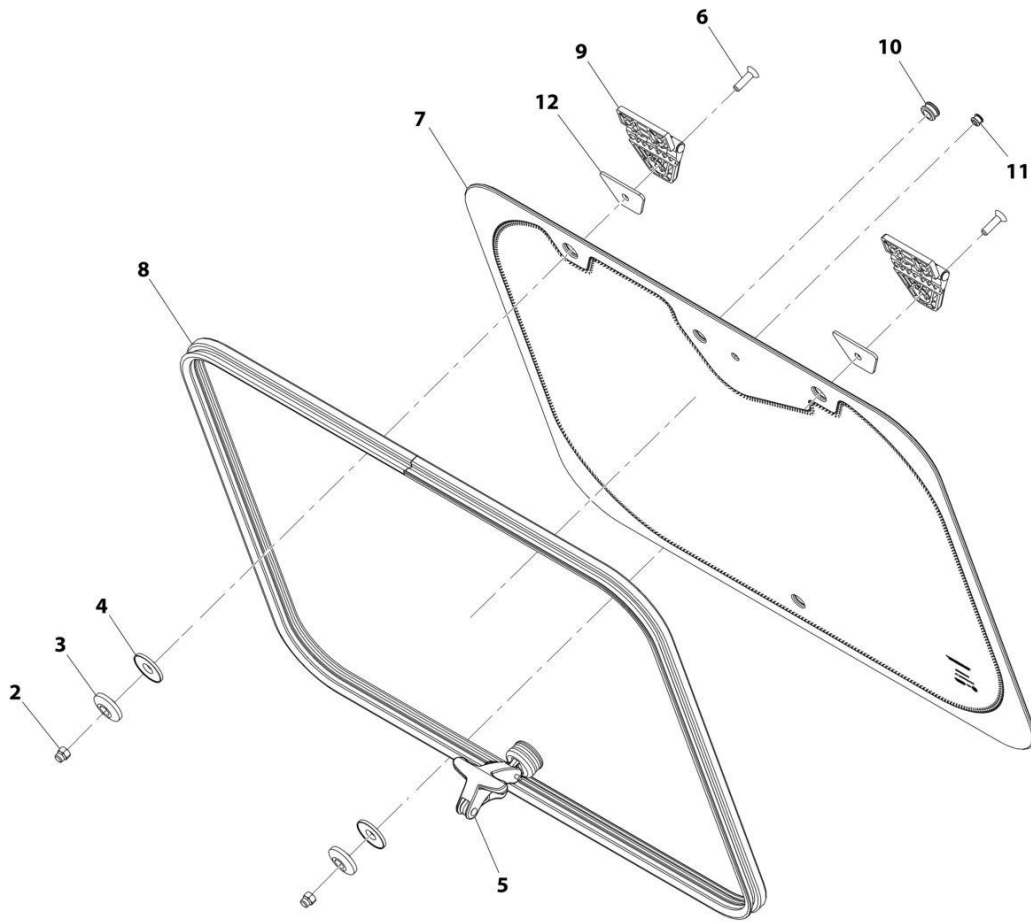
ART\_1001165269-B

**FIGURE 6-65. WASHER BOTTLE**

<b>ITEM</b>	<b>PART NUMBER</b>	<b>QTY</b>	<b>DESCRIPTION</b>	<b>REV</b>
	1001165269	Ref	Washer Bottle	B
1	1001165327	2	Motor, Washer	
2	1001165273	1	Cap, Washer	

# SECTION 6 - CAB

## FIGURE 6-66. REAR WINDOW ASSEMBLY



ART\_1001170502-D

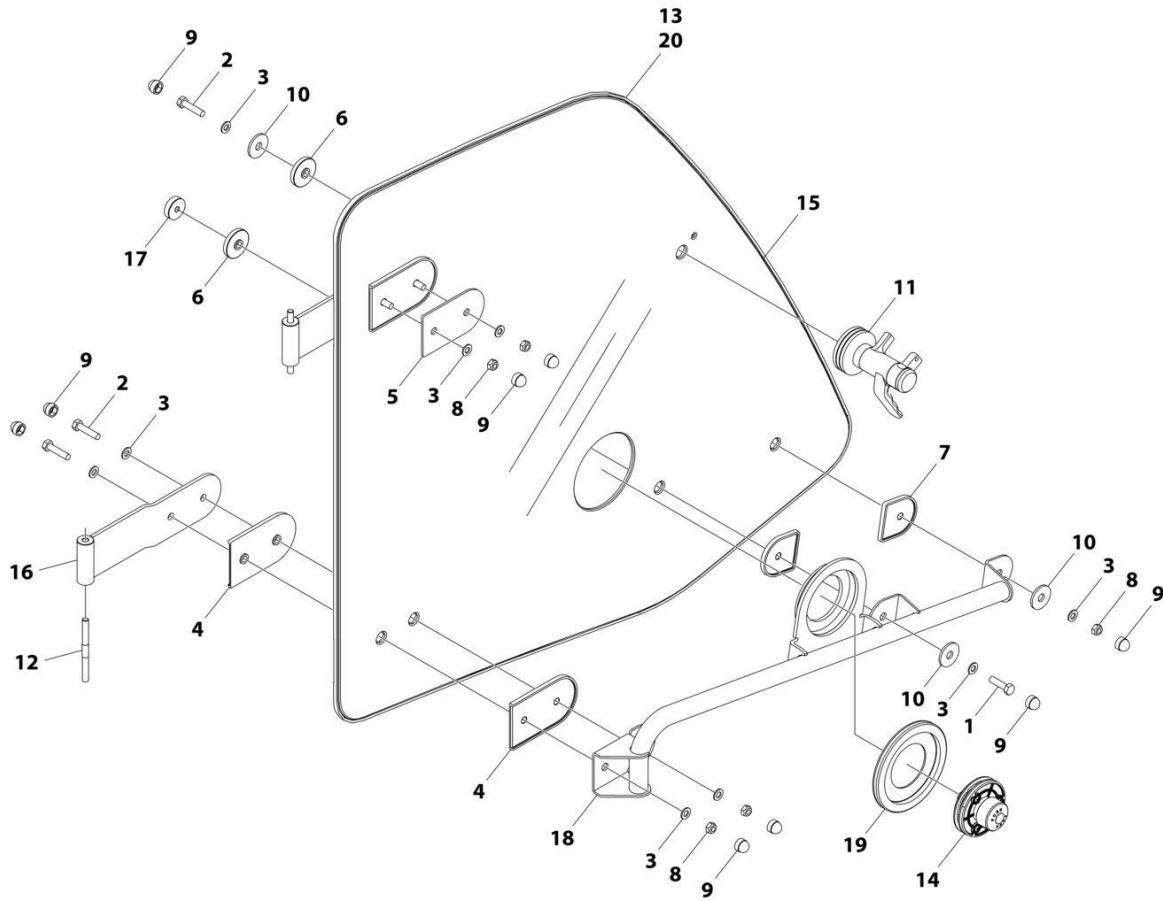


FIGURE 6-66. REAR WINDOW ASSEMBLY

ITEM	PART NUMBER	QTY	DESCRIPTION	REV
	1001170502	Ref	Rear Window Assembly	D
2	3290806	2	Nut, M8X1.25 Grade 8	
3	8000759	2	Spacer	
4	8004398	2	Washer	
5	1001005368	1	Latch, Window	
6	2080078	2	Fastener, M8X30	
7	1001157481	1	Glass, Rear Window	
8	1001157487	1	Seal	
9	1001139568	2	Hinge	
10	1001171182	1	Grommet	
11	1001171183	1	Grommet	
12	1001181411	2	Gasket, Rear Window Hinge	

# SECTION 6 - CAB

## FIGURE 6-67. DOOR UPPER GLASS ASSEMBLY



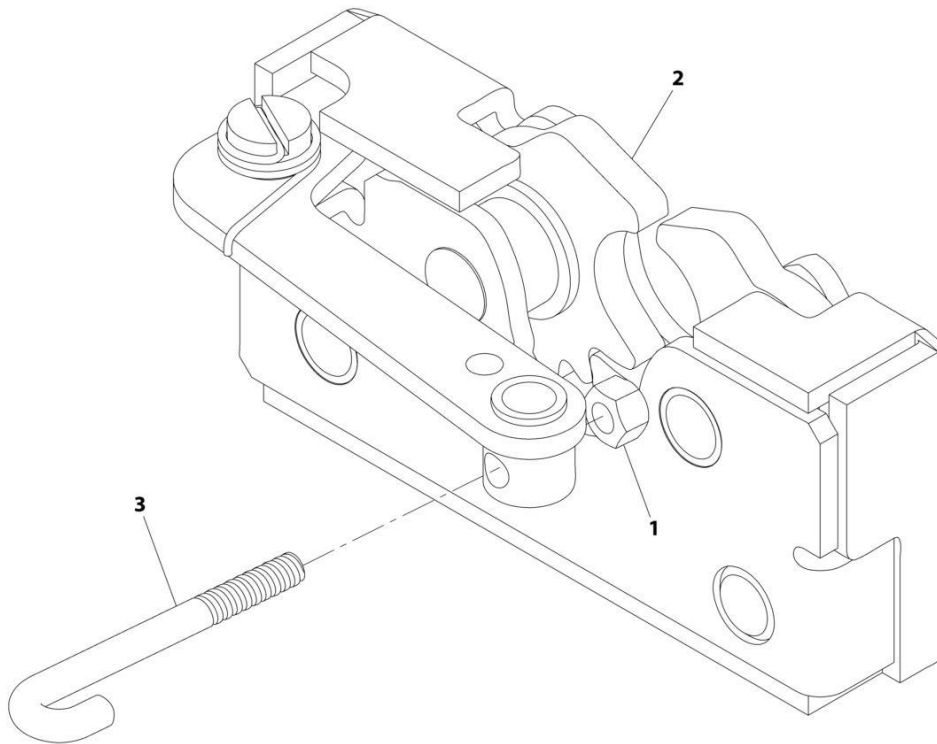
ART\_1001205532

FIGURE 6-67. DOOR UPPER GLASS ASSEMBLY

ITEM	PART NUMBER	QTY	DESCRIPTION	REV
	1001205532	Ref	Door Upper Glass Assembly	G
1	0760812	1	Bolt, M8X25	
2	0760815	5	Bolt, M8X35	
3	4811900	11	Washer, 8MM	
4	1001002946	4	Mount, Hinge	
5	1001002947	1	Mount, Hinge	
6	1001002953	2	Mount, Rubber	
7	1001002957	2	Mount, Latch	
8	1001008857	5	Nut, Lock	
9	1001096365	11	Cap, M8	
10	1001141246	3	Mount, Rubber	
11	1001165275	1	Latch, Window	
12	1001166634	2	Pin, Hinge	
13	1001170944	1	Panel, Window Surround	
14	1001174321	1	Striker, Top Window	
15	1001204066	1	Glass, Window	
16	1001204115	2	Hinge	
17	1001222741	1	Buffer, Cab	
18	1001204120	1	Handle	
19	1001213331	1	Gasket	
20	1001215531	AR	Adhesive	

# SECTION 6 - CAB

## FIGURE 6-68. CAB LATCH ASSEMBLY



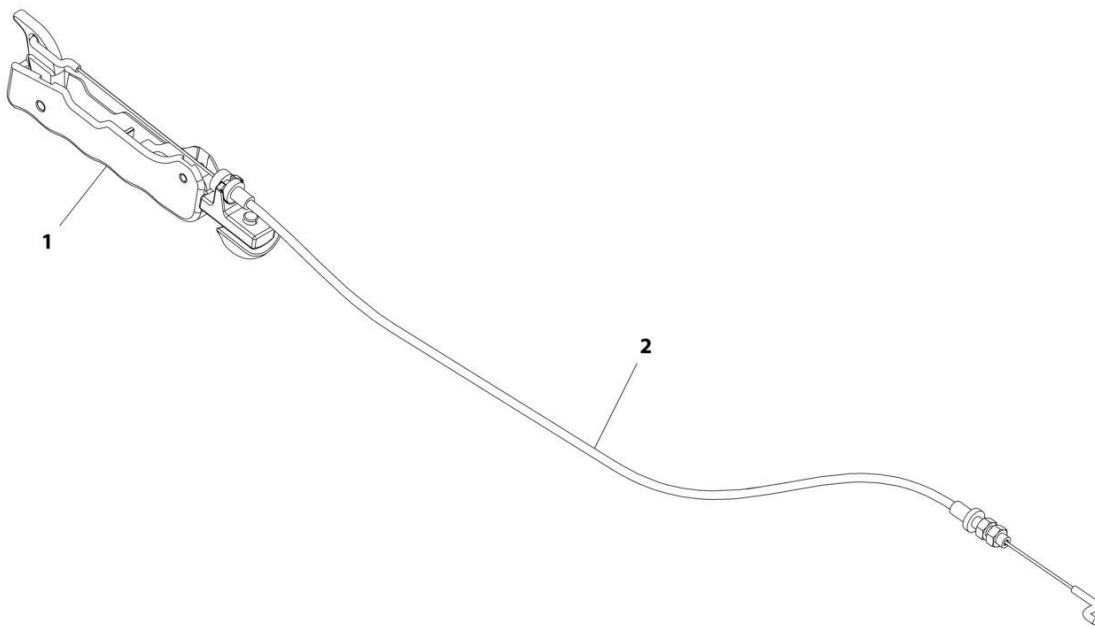
ART\_1001192766\_C

**FIGURE 6-68. CAB LATCH ASSEMBLY**

<b>ITEM</b>	<b>PART NUMBER</b>	<b>QTY</b>	<b>DESCRIPTION</b>	<b>REV</b>
	1001192766	Ref	Cab Latch Assembly	C
1	3290405	1	Nut, M4X0.7 Grade 8	
2	1001192643	1	Latch	
3	1001241308	1	Link, Door Handle	

# SECTION 6 - CAB

## FIGURE 6-69. CAB DOOR TRIGGER ASSEMBLY



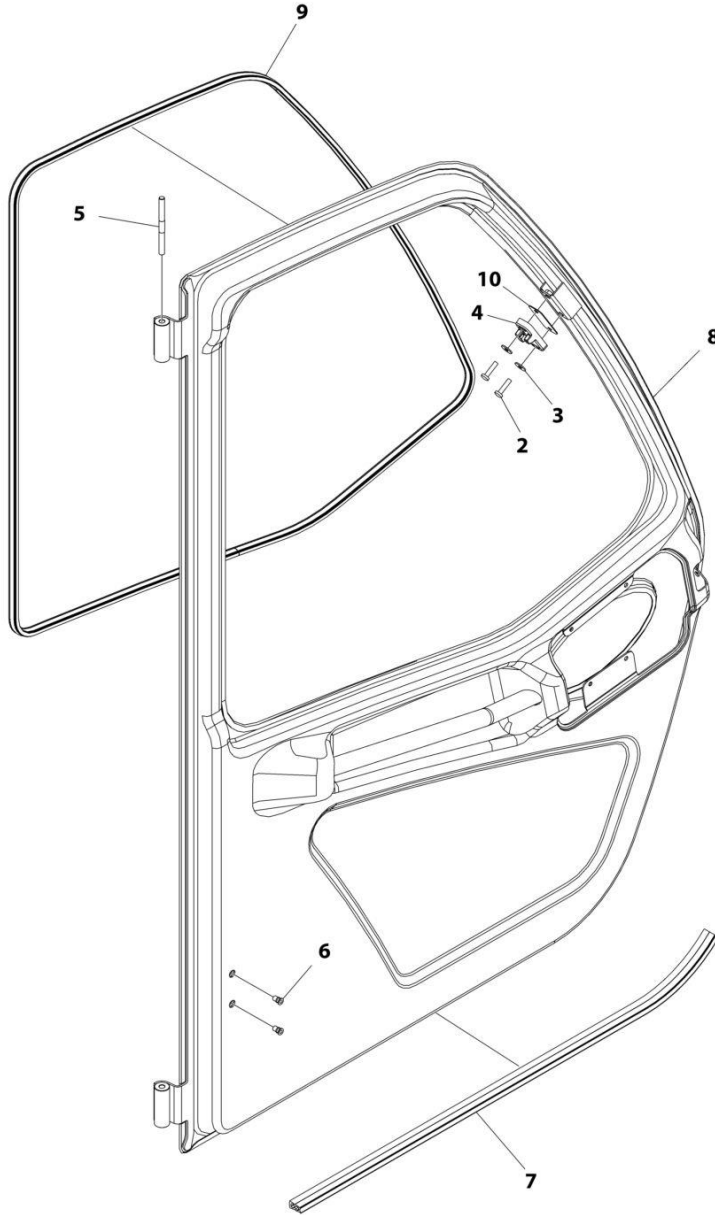
ART\_1001167958-E

**FIGURE 6-69. CAB DOOR TRIGGER ASSEMBLY**

<b>ITEM</b>	<b>PART NUMBER</b>	<b>QTY</b>	<b>DESCRIPTION</b>	<b>REV</b>
	1001167958	Ref	Cab Door Trigger Assembly	E
1	1001167937	1	Trigger, Cab Interior Release	
2	1001192644	1	Cable, Cab Latch Release	

# SECTION 6 - CAB

## FIGURE 6-70. DOOR ASSEMBLY



ART\_1001169881\_K

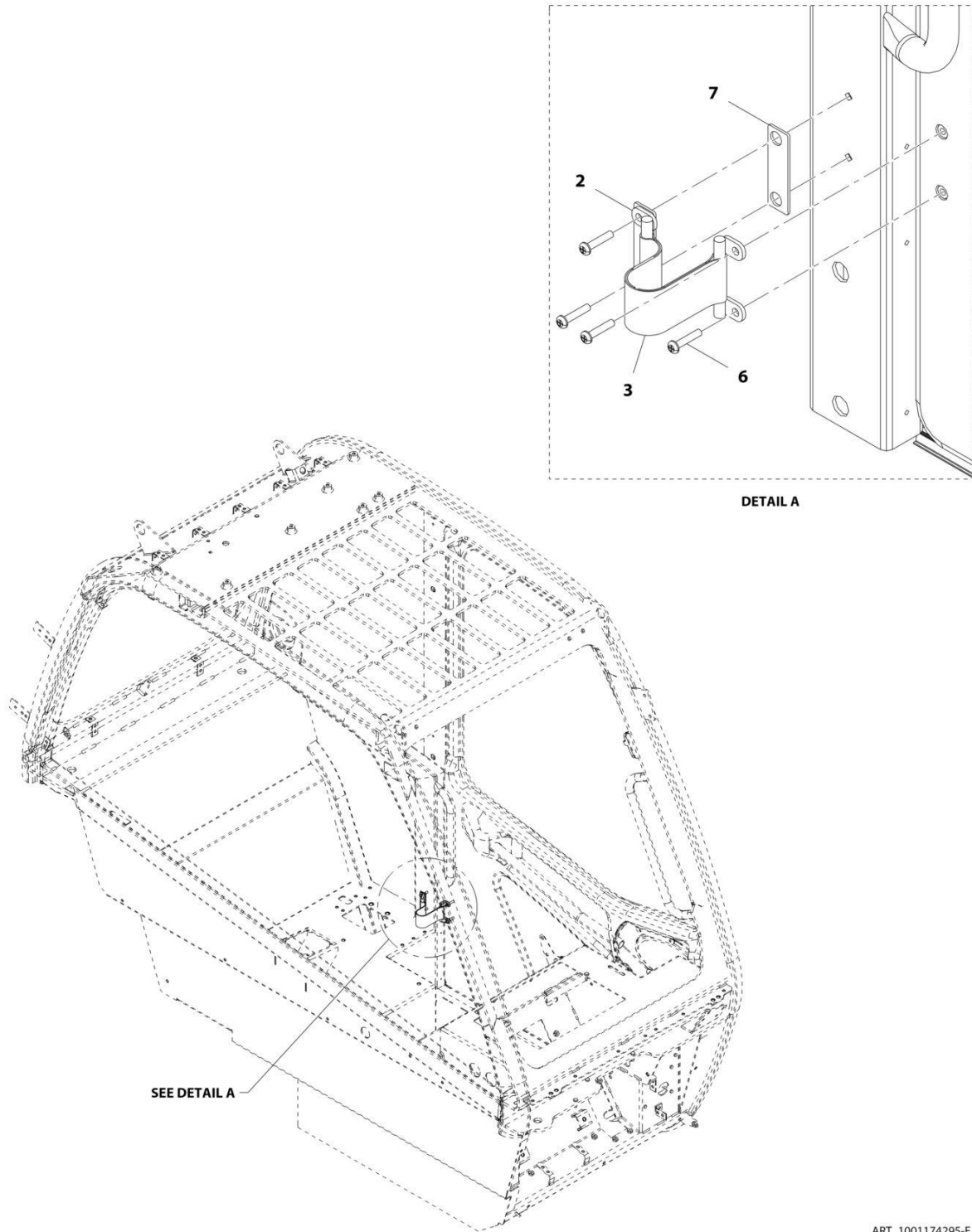


FIGURE 6-70. DOOR ASSEMBLY

ITEM	PART NUMBER	QTY	DESCRIPTION	REV
	1001169881	Ref	Door Assembly	K
2	4010612002	2	Screw, Posi-Drive, M6X25	
3	4811702001	2	Washer, M6	
4	1001165276	1	Plate, Window Latch Striker	
5	1001166634	1	Pin, Hinge	
6	1001172193	2	Rivnut, M5X0.8	
7	1001227188	1	Seal, Cab Door	
8	1001165022J	1	Door, Cab (See Separate Breakdown in this Section)	
9	1001227187	1	Seal, Cab Door Window	
10	1001193210	AR	Shim, Window Latch	

# SECTION 6 - CAB

## FIGURE 6-71. DOOR STRAP INSTALLATION



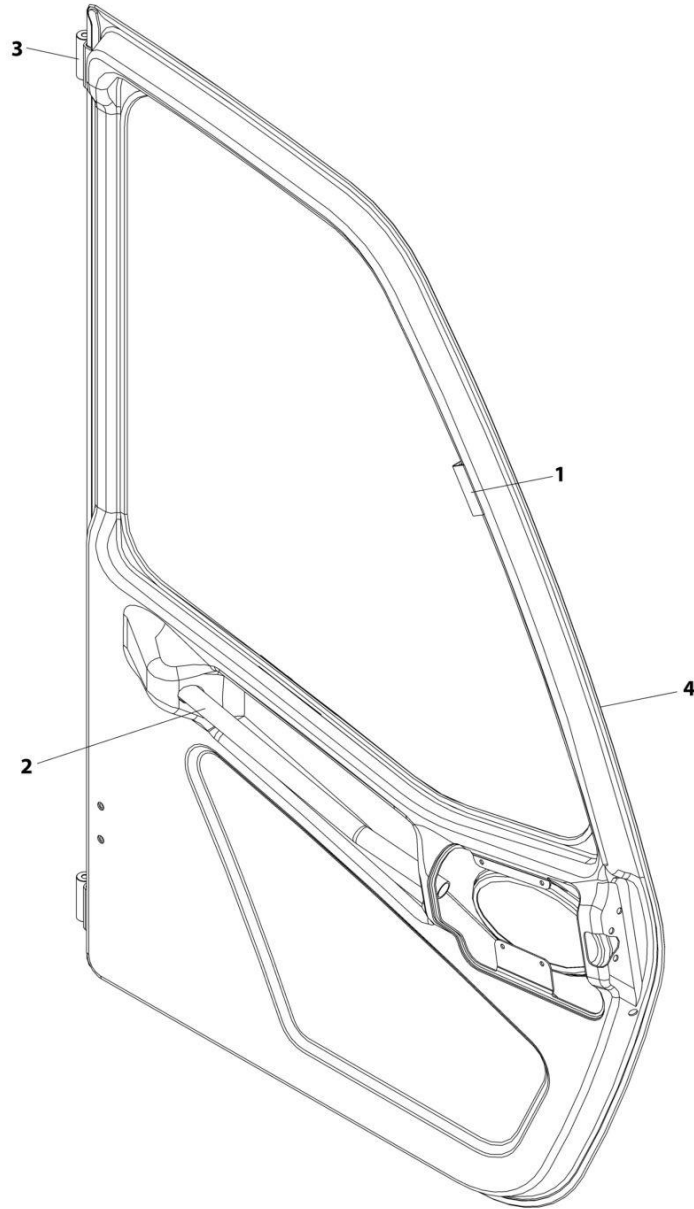
ART\_1001174295-F

FIGURE 6-71. DOOR STRAP INSTALLATION

ITEM	PART NUMBER	QTY	DESCRIPTION	REV
	1001174295	Ref	Door Strap Installation	F
2	1001230163	2	Bracket, Strap Holder	
3	1001212011	1	Strap, Door Hold Open	
6	8310559	4	Screw	
7	1001191091	1	Plate, Cab Door Strap	

**SECTION 6 - CAB**

**FIGURE 6-72. CAB DOOR**



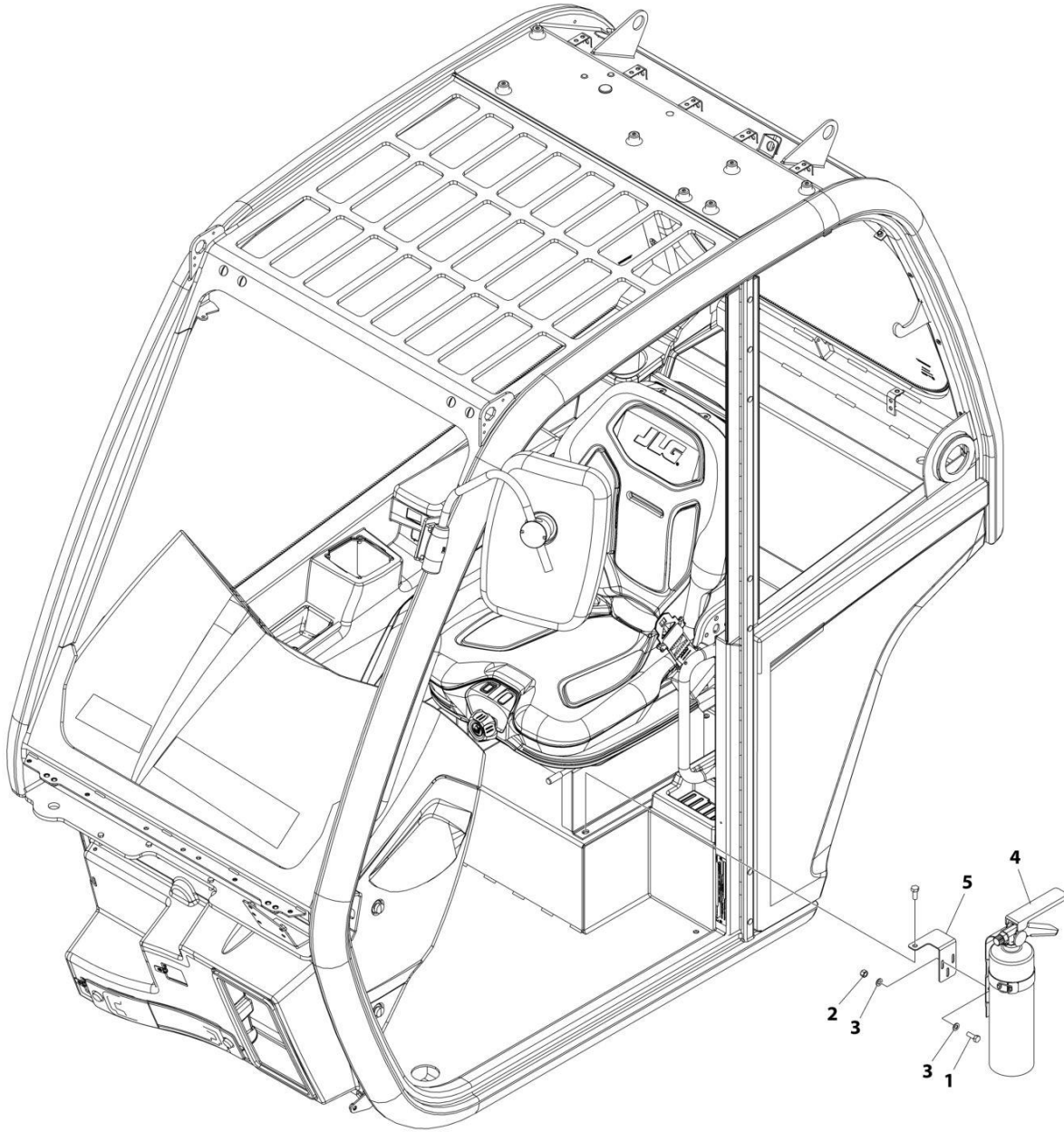
ART\_1001165022-E

**FIGURE 6-72. CAB DOOR**

<b>ITEM</b>	<b>PART NUMBER</b>	<b>QTY</b>	<b>DESCRIPTION</b>	<b>REV</b>
	1001165022	Ref	Cab Door	E
1	1001169883	1	Bracket, Window Latch	
2	1001169885	1	Handle, Interior Door	
3	1001171037	1	Plate, Hinge	
4	1001171634	1	Frame, Door	

# SECTION 6 - CAB

## FIGURE 6-73. FIRE EXTINGUISHER INSTALLATION



ART\_1001258099

FIGURE 6-73. FIRE EXTINGUISHER INSTALLATION

ITEM	PART NUMBER	QTY	DESCRIPTION	REV
	1001258099	Ref	FIRE EXTINGUISHER INSTALLATION	A
1	0760507	3	Bolt M5X14	
2	3290505	3	Nut M5	
3	4811600	6	Washer M5	
4	1001099699	1	Fire Extinguisher Assy	
5	1001241337	1	Bracket	

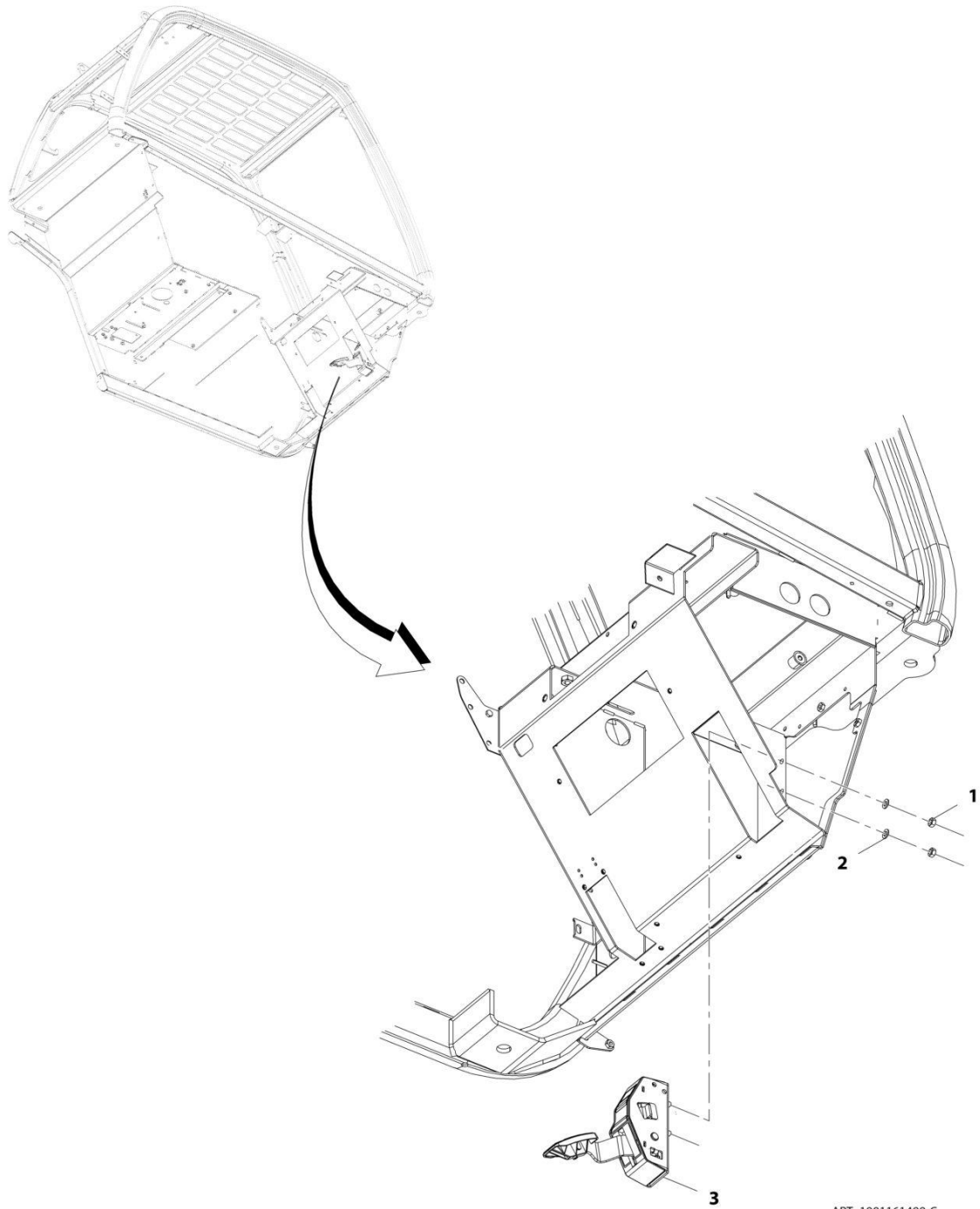




**SECTION 7 - CONTROLS**

# SECTION 7 - CONTROLS

## FIGURE 7-1. ACCELERATOR PEDAL INSTALLATION



ART\_1001161499-C

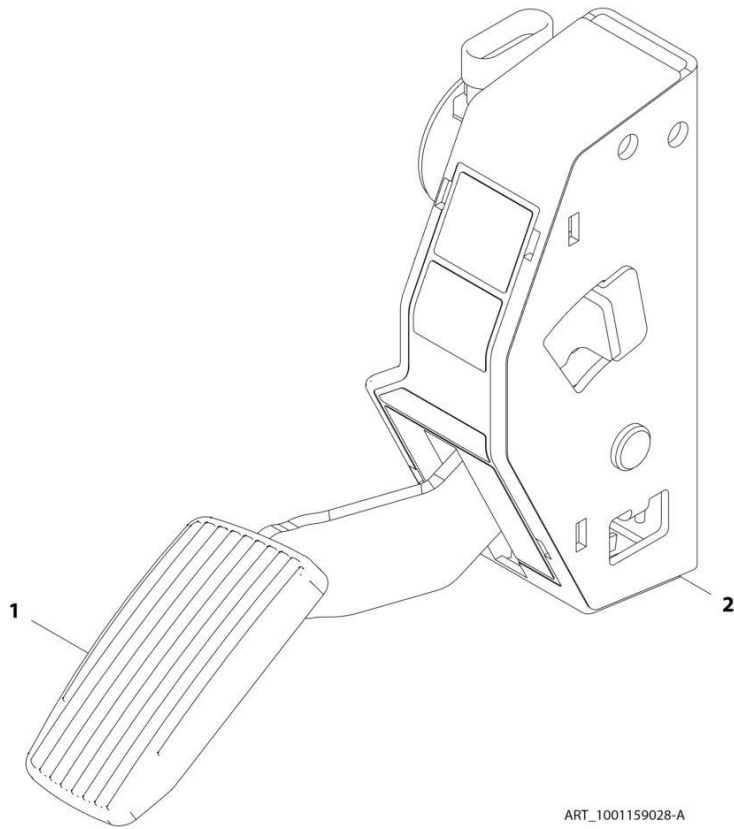
## SECTION 7 - CONTROLS

### FIGURE 7-1. ACCELERATOR PEDAL INSTALLATION

ITEM	PART NUMBER	QTY	DESCRIPTION	REV
	1001161499	Ref	Accelerator Pedal Installation	C
1	3290801	2	Nut, M8X1.25	
2	4811900	2	Washer, M8	
3	1001159028	1	Pedal, Accelerator (See Separate Breakdown in this Section)	

# SECTION 7 - CONTROLS

## FIGURE 7-2. ACCELERATOR PEDAL



ART\_1001159028-A

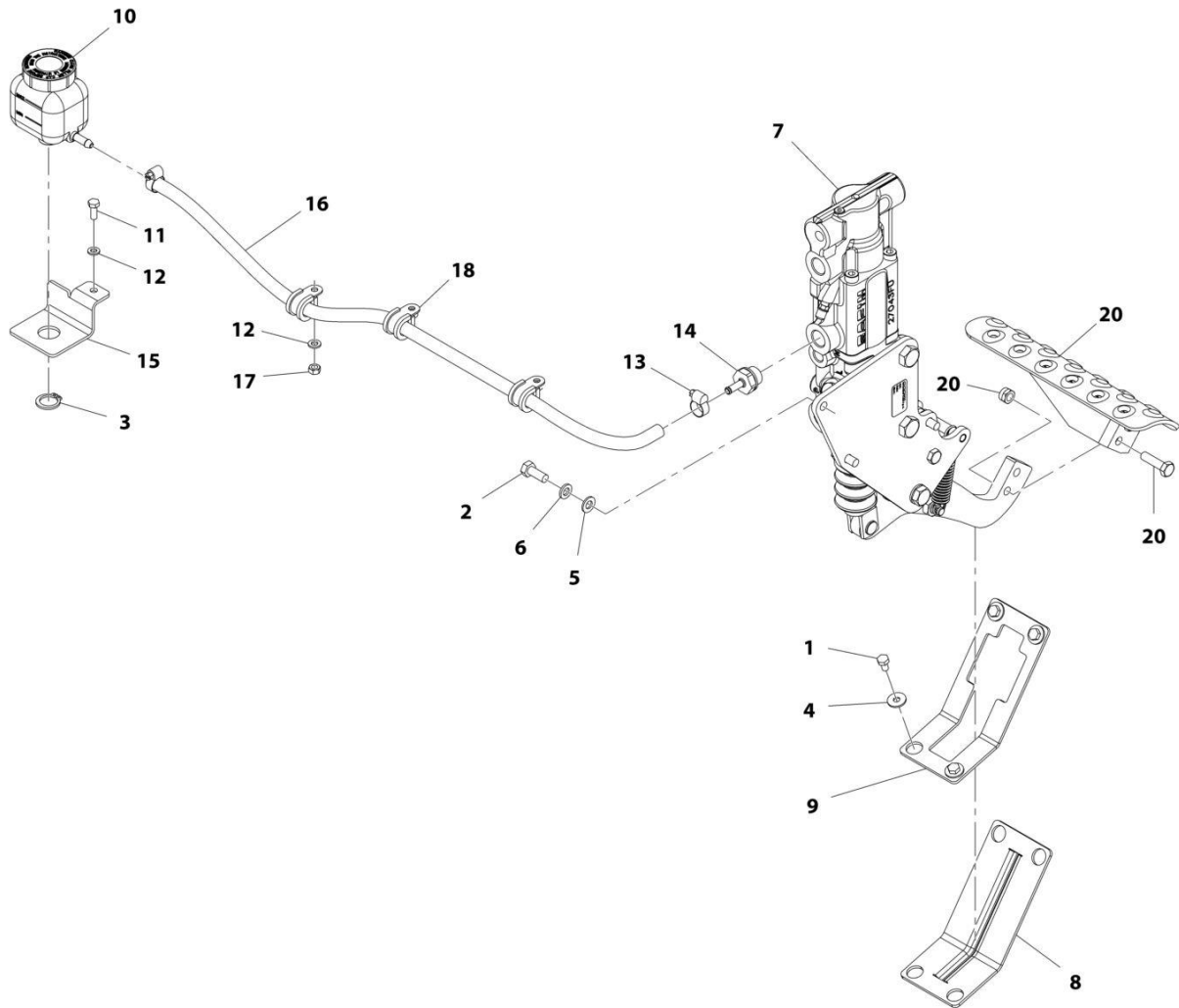
## SECTION 7 - CONTROLS

### FIGURE 7-2. ACCELERATOR PEDAL

ITEM	PART NUMBER	QTY	DESCRIPTION	REV
	1001159028	Ref	Accelerator Pedal	A
1	70025816	1	Pad, Rubber	
2	70025817	1	Cover, Rubber	

# SECTION 7 - CONTROLS

## FIGURE 7-3. BRAKE PEDAL INSTALLATION



ART\_1001204225-C

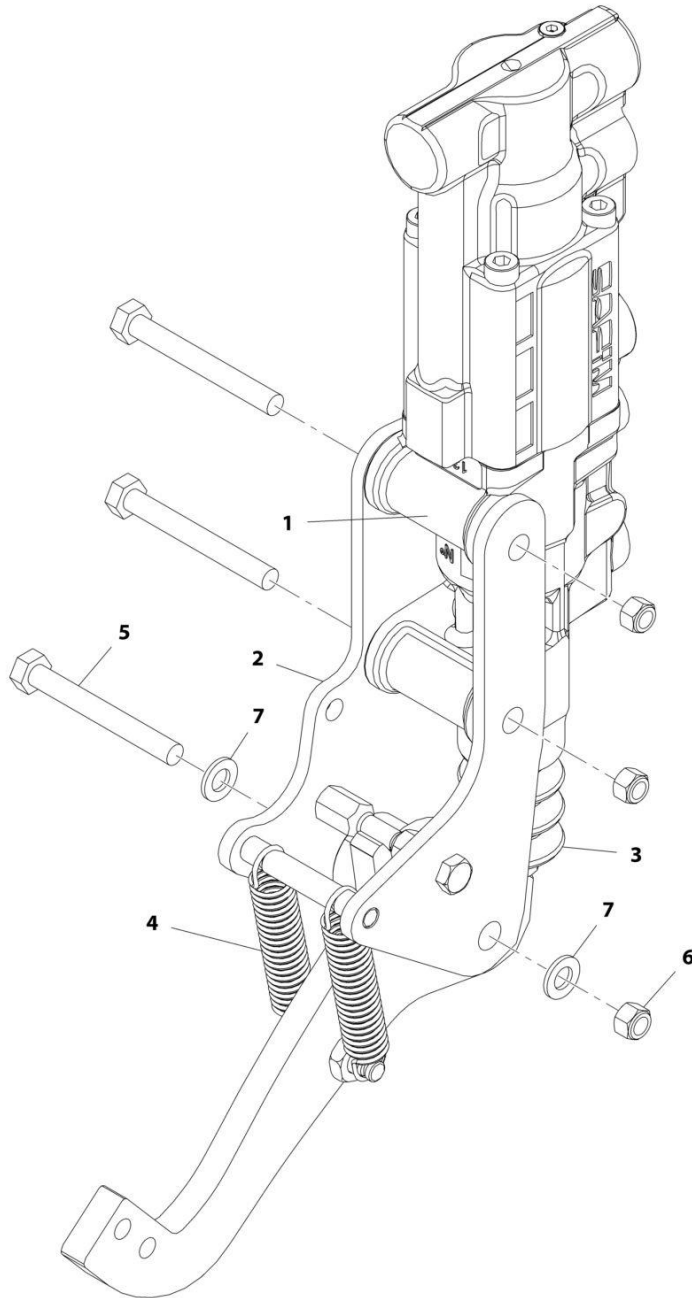
## SECTION 7 - CONTROLS

### FIGURE 7-3. BRAKE PEDAL INSTALLATION

ITEM	PART NUMBER	QTY	DESCRIPTION	REV
	1001204225	Ref	Brake Pedal Installation	C
1	0760605	4	Bolt, M6X10	
2	0760810	3	Bolt, M8X20	
3	3760348	1	Ring, Retaining	
4	4811702	4	Washer, M6	
5	4811900	3	Washer, M8	
6	4831900	3	Washer, Lock M8	
7	1001197138	1	Pedal, Brake (See Separate Breakdown in this Section)	
8	1001162920	1	Gasket, Brake Pedal	
9	1001162922	1	Plate	
10	1001214220	1	Reservoir, Brake	
11	0760608	1	Bolt, M6X16	
12	4811700	4	Washer, M6	
13	8405009	2	Clamp, Gear	
14	1001171874	1	Fitting, Hose Barb	
15	1001172088	1	Bracket, Brake Reservoir	
16	1001172094	1	Hose, Brake Reservoir	
17	3290601	3	Nut, M6X1	
18	1001170231	3	Clip, M6X15	
20	1001197139	1	Plate, Brake Pedal (See Separate Breakdown in this Section)	

# SECTION 7 - CONTROLS

## FIGURE 7-4. BRAKE PEDAL



ART\_1001197138-D



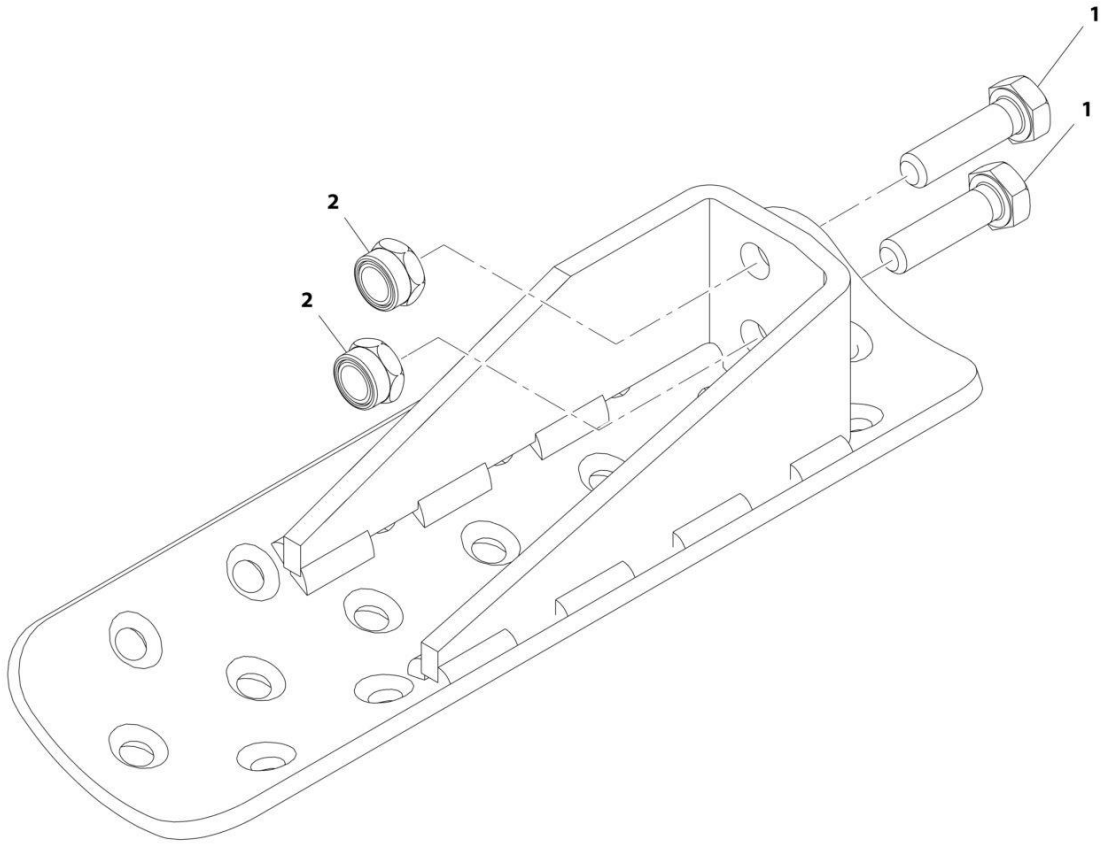
# SECTION 7 - CONTROLS

## FIGURE 7-4. BRAKE PEDAL

ITEM	PART NUMBER	QTY	DESCRIPTION	REV
	1001197138	Ref	Brake Pedal	D
1	70026432	1	Cylinder, Master	
2	70026433	1	Support	
3	70025859	1	Cover, Dust	
4	70025860	2	Spring, Return	
5	0701226	3	Bolt, M12X90	
6	3291205	3	Nut, Lock M12X1.75	
7	4812100	2	Washer, M12	

# SECTION 7 - CONTROLS

## FIGURE 7-5. BRAKE PEDAL PLATE



ART\_1001197139-A

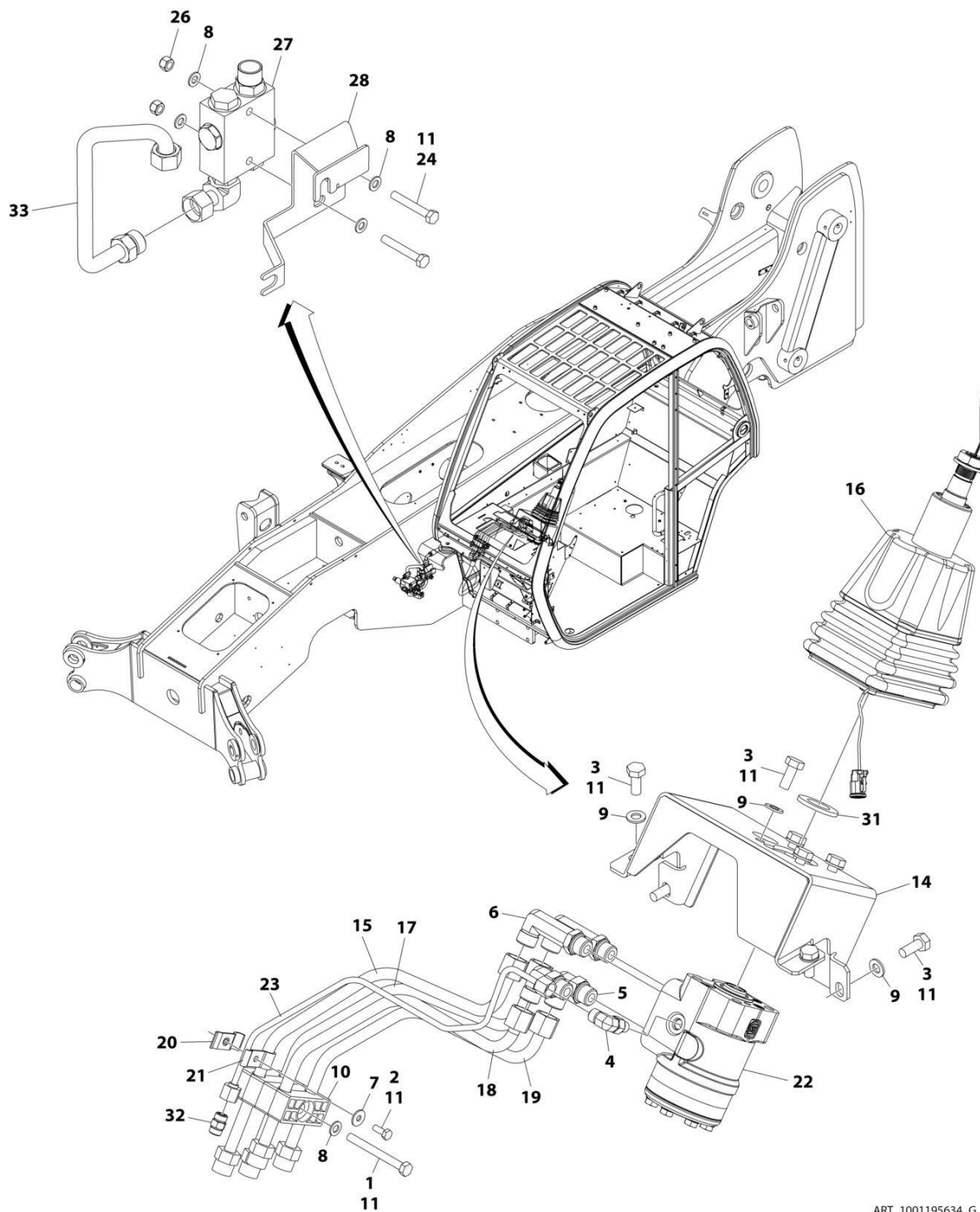
**SECTION 7 - CONTROLS**

**FIGURE 7-5. BRAKE PEDAL PLATE**

ITEM	PART NUMBER	QTY	DESCRIPTION	REV
	1001197139	Ref	Brake Pedal Plate	A
1	0770814	1	Bolt, M8X30 Grade 10.9	
2	3290805	1	Nut, Lock M8X1.25 Grade 8	

# SECTION 7 - CONTROLS

## FIGURE 7-6. STEERING COLUMN INSTALLATION NO FNR LEVER



ART\_1001195634\_G

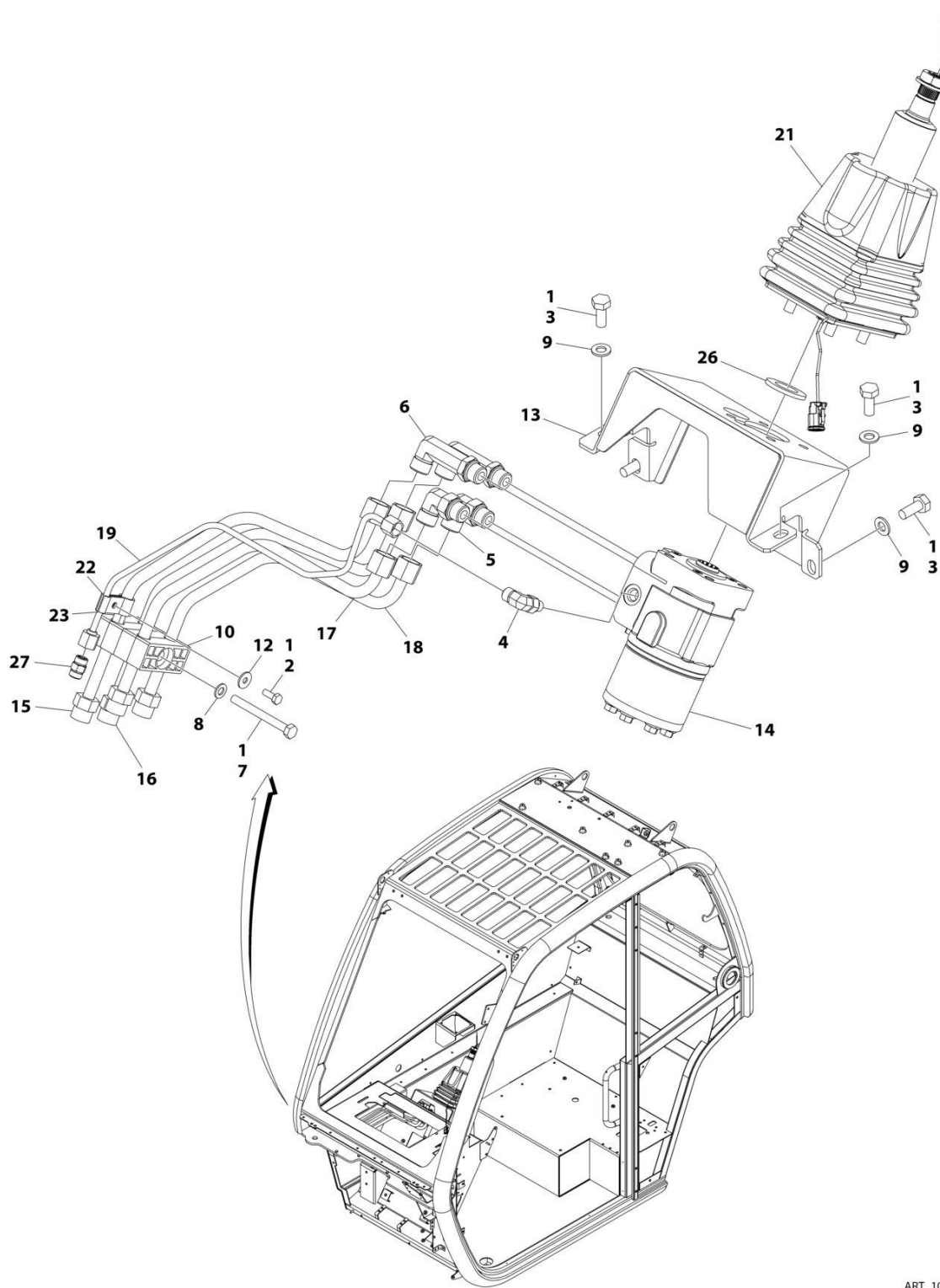
## SECTION 7 - CONTROLS

**FIGURE 7-6. STEERING COLUMN INSTALLATION NO FNR LEVER**

ITEM	PART NUMBER	QTY	DESCRIPTION	REV
	1001195634	Ref	Steering Column Installation no FNR Lever	G
1	0700824	1	Bolt, M8X80	
2	0760608	1	Bolt, M6X16	
3	0761012	8	Bolt, M10X25	
4	2130404	1	Fitting, 90 ORFS	
5	2130808	2	Fitting, 90 ORFS	
6	2170208	2	Fitting, 90 ORFS	
7	4811702	1	Washer, M6	
8	4811900	5	Washer, M8	
9	4812000	8	Washer, M10	
10	1001004640	4	Clamp	
11	1001095650	AR	Compound, Locking	
14	1001156265	1	Plate	
15	1001161672	1	Pipe	
16	1001256952	1	Column, Steering	
17	1001161896	1	Pipe	
18	1001161897	1	Pipe	
19	1001161898	1	Pipe	
20	1001168142	1	Bracket	
21	1001168151	1	Bracket	
22	1001178670	1	Valve, Steering Unit	
23	1001194282	1	Pipe	
24	0700819	2	Bolt M8X55	
25	0761010	1	Bolt M10X20	
26	3290805	2	Nut M8	
27	1001210803	1	Check Valve Assembly (See Separate Breakdown in this Section)	
28	1001265742	1	Bracket, Check Valve Support	
31	1001214480	1	Washer	
32	1001143857	1	Adaptor	
33	1001265764	1	Pipe, Check Valve	

# SECTION 7 - CONTROLS

## FIGURE 7-7. STEERING COLUMN INSTALLATION



ART\_1001155307\_G

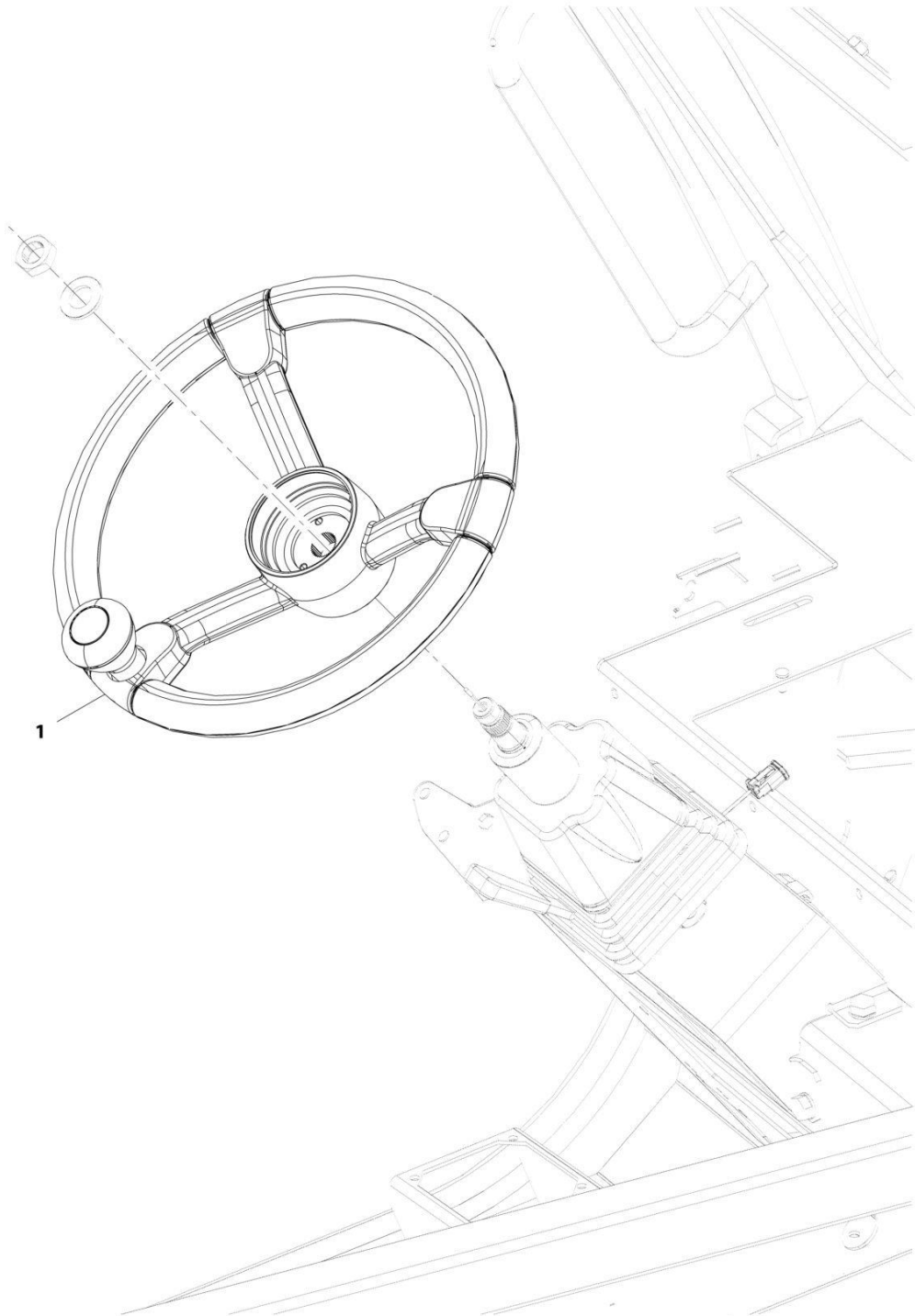
## SECTION 7 - CONTROLS

**FIGURE 7-7. STEERING COLUMN INSTALLATION**

ITEM	PART NUMBER	QTY	DESCRIPTION	REV
	1001155307	Ref	Steering Column Installation	G
1	1001095650	AR	Compound, Locking	
2	0760608	1	Bolt, M6X16	
3	0761012	8	Bolt, M10X25	
4	2130404	1	Fitting, 90 ORFS	
5	2130808	2	Fitting, 90 ORFS	
6	2170208	2	Fitting, 90 ORFS	
7	0700824	1	Bolt, M8X80	
8	4811900	1	Washer, M8	
9	4812000	8	Washer, M10	
10	1001004640	4	Clamp	
12	4811702	1	Washer, M6	
13	1001156265	1	Cab, Steering Column Support	
14	1001158527	1	Valve, Steering (See Separate Breakdown in HYDRAULIC COMPONENTS Section)	
15	1001161672	1	Pipe	
16	1001161896	1	Pipe	
17	1001161897	1	Pipe	
18	1001161898	1	Pipe	
19	1001162979	1	Pipe	
21	1001256952	1	Column, Steering	
22	1001168142	1	Bracket	
23	1001168151	1	Bracket	
26	1001214480	1	Washer	
27	1001143857	1	Adaptor	

# SECTION 7 - CONTROLS

## FIGURE 7-8. STEERING WHEEL INSTALLATION



ART\_1001169751-C



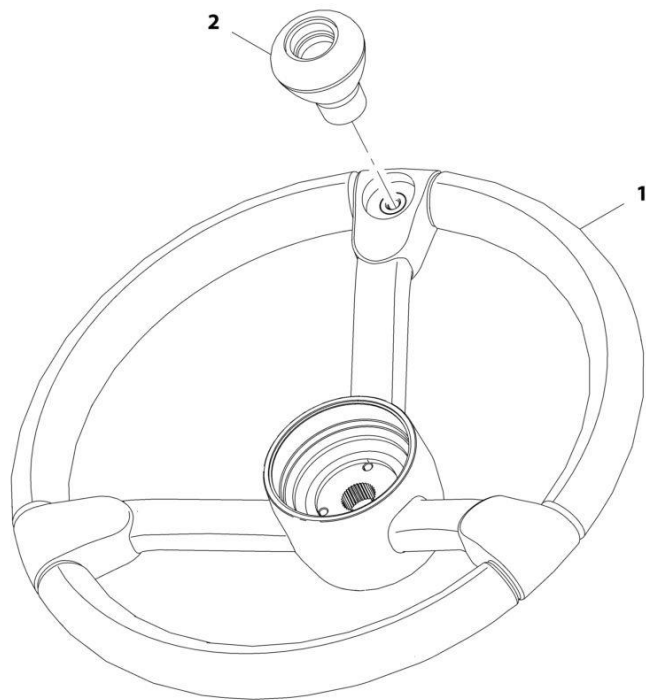
**SECTION 7 - CONTROLS**

**FIGURE 7-8. STEERING WHEEL INSTALLATION**

ITEM	PART NUMBER	QTY	DESCRIPTION	REV
1	1001169751	Ref	Steering Wheel Installation	C
	1001169354	1	Wheel, Steering (See Separate Breakdown in this Section)	

# SECTION 7 - CONTROLS

## FIGURE 7-9. STEERING WHEEL



ART\_1001169354-D

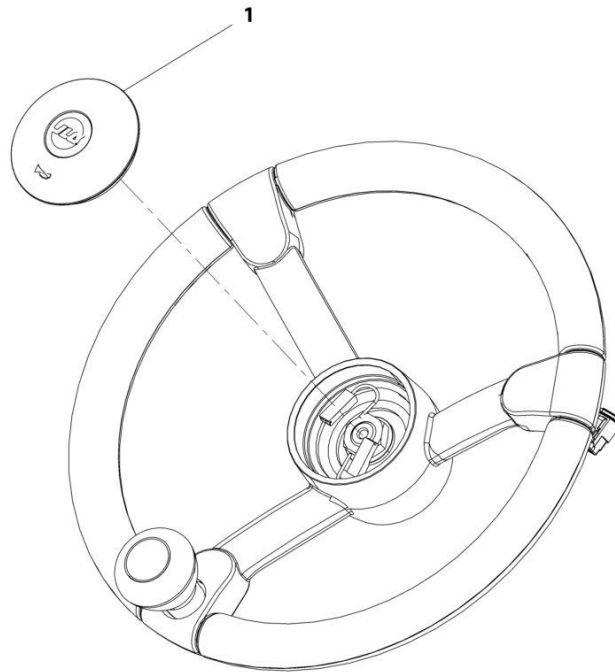
## SECTION 7 - CONTROLS

### FIGURE 7-9. STEERING WHEEL

ITEM	PART NUMBER	QTY	DESCRIPTION	REV
	1001169354	Ref	Steering Wheel	D
1	1001169367	1	Wheel, Steering	
2	1001169355	1	Handle, Steer Spinner	

# SECTION 7 - CONTROLS

## FIGURE 7-10. HORN BUTTON INSTALLATION



ART\_1001169763-A

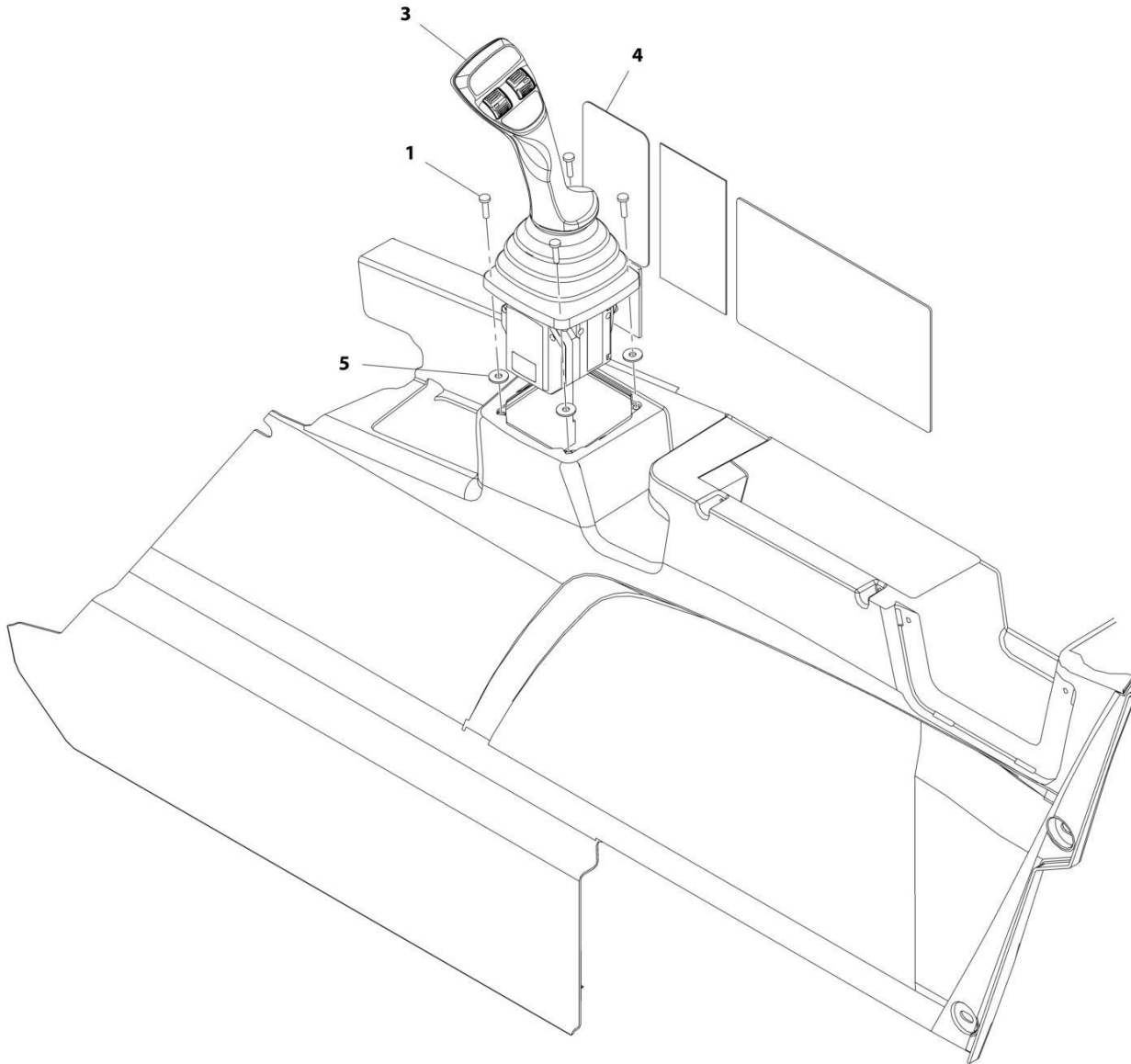
**SECTION 7 - CONTROLS**

**FIGURE 7-10. HORN BUTTON INSTALLATION**

ITEM	PART NUMBER	QTY	DESCRIPTION	REV
1	1001169763 1001169268	Ref 1	Horn Button Installation Button, Horn	A

# SECTION 7 - CONTROLS

FIGURE 7-11. JOYSTICK INSTALLATION (2 ROLLER, 0 BUTTON)



ART\_1001167001-E

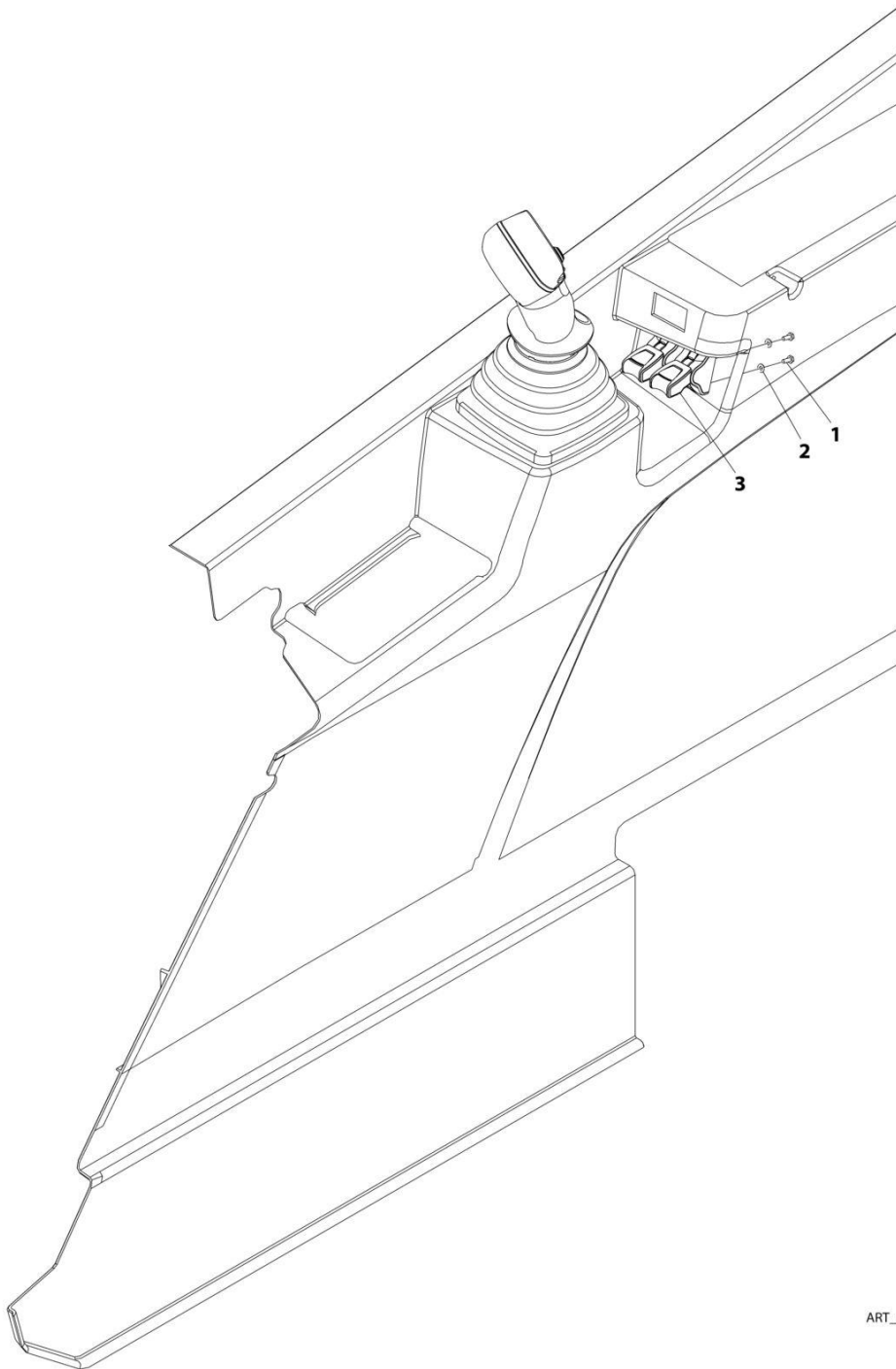
## SECTION 7 - CONTROLS

**FIGURE 7-11. JOYSTICK INSTALLATION (2 ROLLER, 0 BUTTON)**

ITEM	PART NUMBER	QTY	DESCRIPTION	REV
	1001167001	Ref	Joystick Installation (2 Roller, 0 Button)	E
1	4010510	4	Screw, M5X20	
3	1001222609	1	Joystick (See Separate Breakdown in this Section)	
4	1001181543	1	Decal, Joystick	
5	4811702001	AR	Washer	

# SECTION 7 - CONTROLS

## FIGURE 7-12. OUTRIGGER SWITCHES INSTALLATION



ART\_1001174478-C



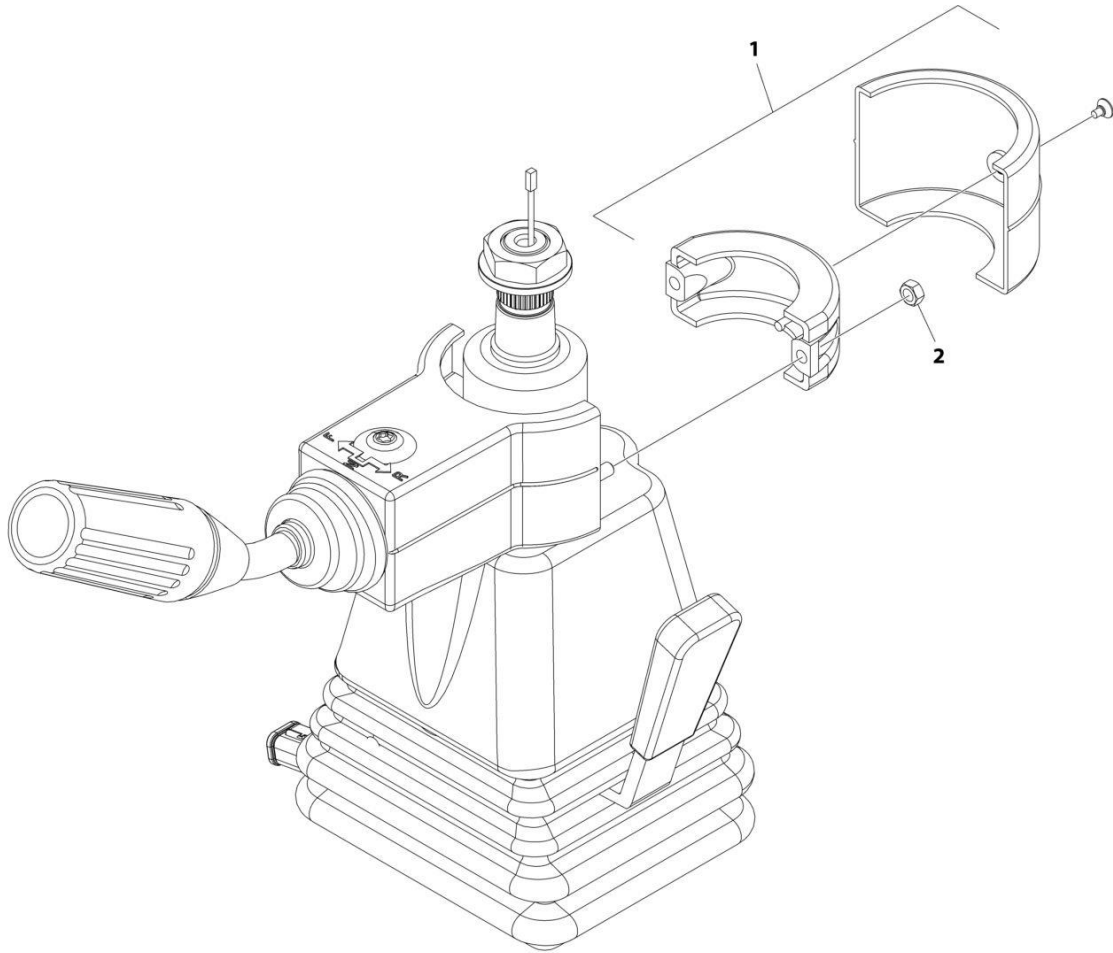
## SECTION 7 - CONTROLS

### FIGURE 7-12. OUTRIGGER SWITCHES INSTALLATION

ITEM	PART NUMBER	QTY	DESCRIPTION	REV
	1001174478	Ref	Outrigger Switches Installation	C
1	0760304	4	Bolt M3X8 GR8.8	
2	1001110544	4	Washer M3	
3	1001242098	2	Control, Fingertip Joystick	

# SECTION 7 - CONTROLS

## FIGURE 7-13. COLUMN CLAMP INSTALLATION



ART\_1001182671\_D

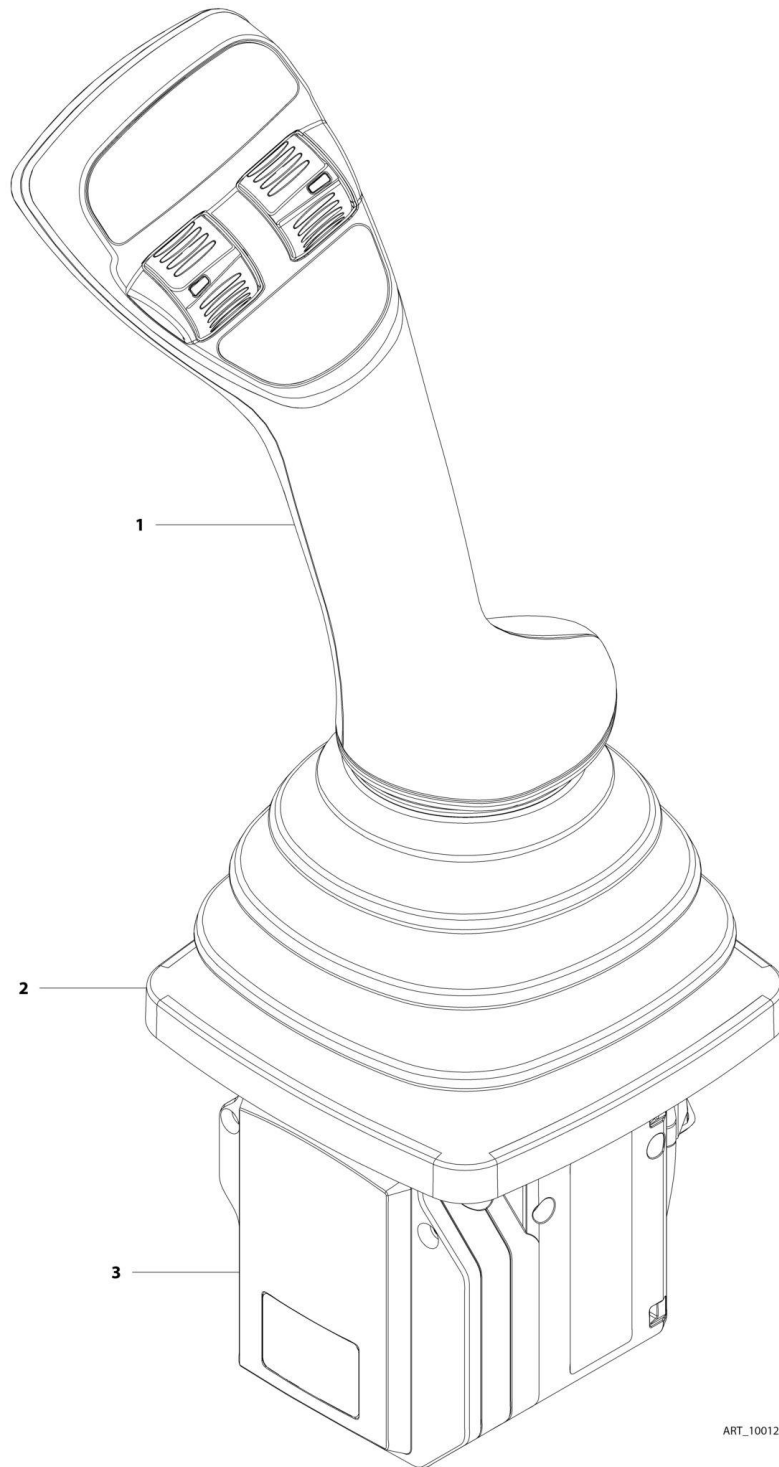
# SECTION 7 - CONTROLS

## FIGURE 7-13. COLUMN CLAMP INSTALLATION

ITEM	PART NUMBER	QTY	DESCRIPTION	REV
	1001182671	Ref	Column Clamp Installation	D
1	1001146949	1	Clamp	
2	3290501	2	Nut M5	

# SECTION 7 - CONTROLS

## FIGURE 7-14. JOYSTICK



ART\_1001222609-A

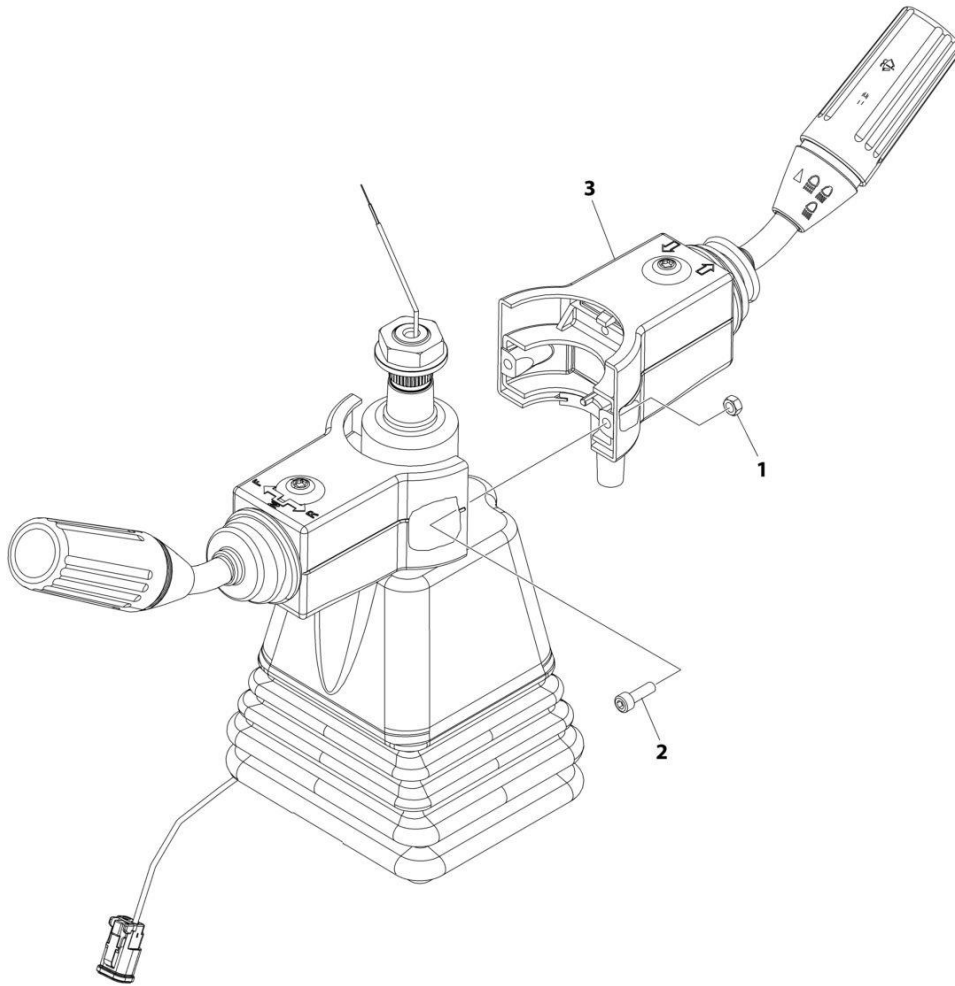
# SECTION 7 - CONTROLS

## FIGURE 7-14. JOYSTICK

ITEM	PART NUMBER	QTY	DESCRIPTION	REV
	1001222609	Ref	Joystick	A
1	70026257	1	Handle, Joystick	
2	70025844	1	Gaiter	
3	70026258	1	Base, Joystick	

# SECTION 7 - CONTROLS

## FIGURE 7-15. WIPER-TURN SWITCH INSTALLATION



ART\_1001257071

## SECTION 7 - CONTROLS

### FIGURE 7-15. WIPER-TURN SWITCH INSTALLATION

ITEM	PART NUMBER	QTY	DESCRIPTION	REV
	1001257071	Ref	Wiper-Turn Switch Installation	A
1	3290501	2	Nut M5	
2	4031607	2	Capscrew M5 x 16	
3	1001256974	1	Switch, Turn-Wiper	

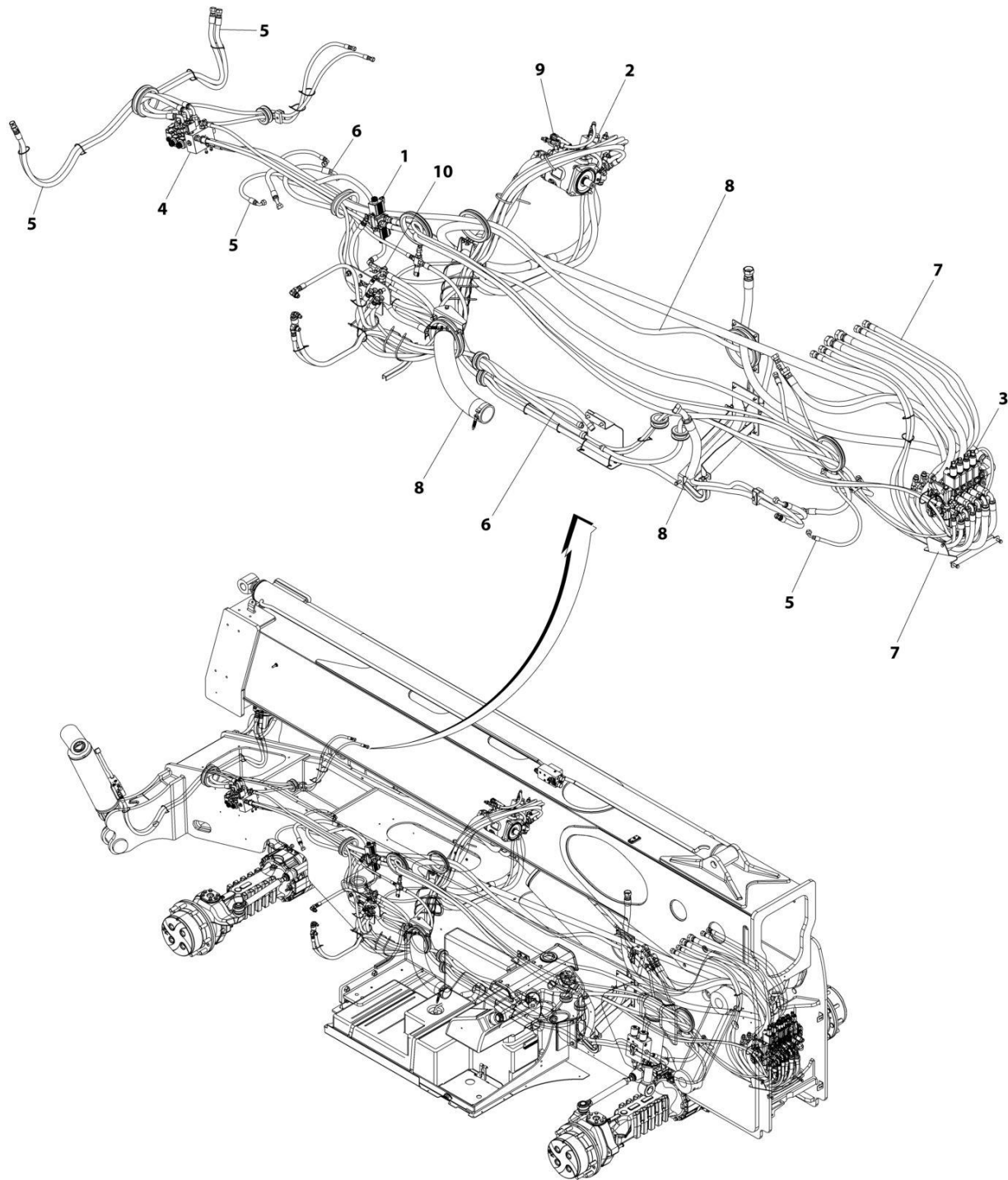




**SECTION 8 - HYDRAULIC CIRCUITS**

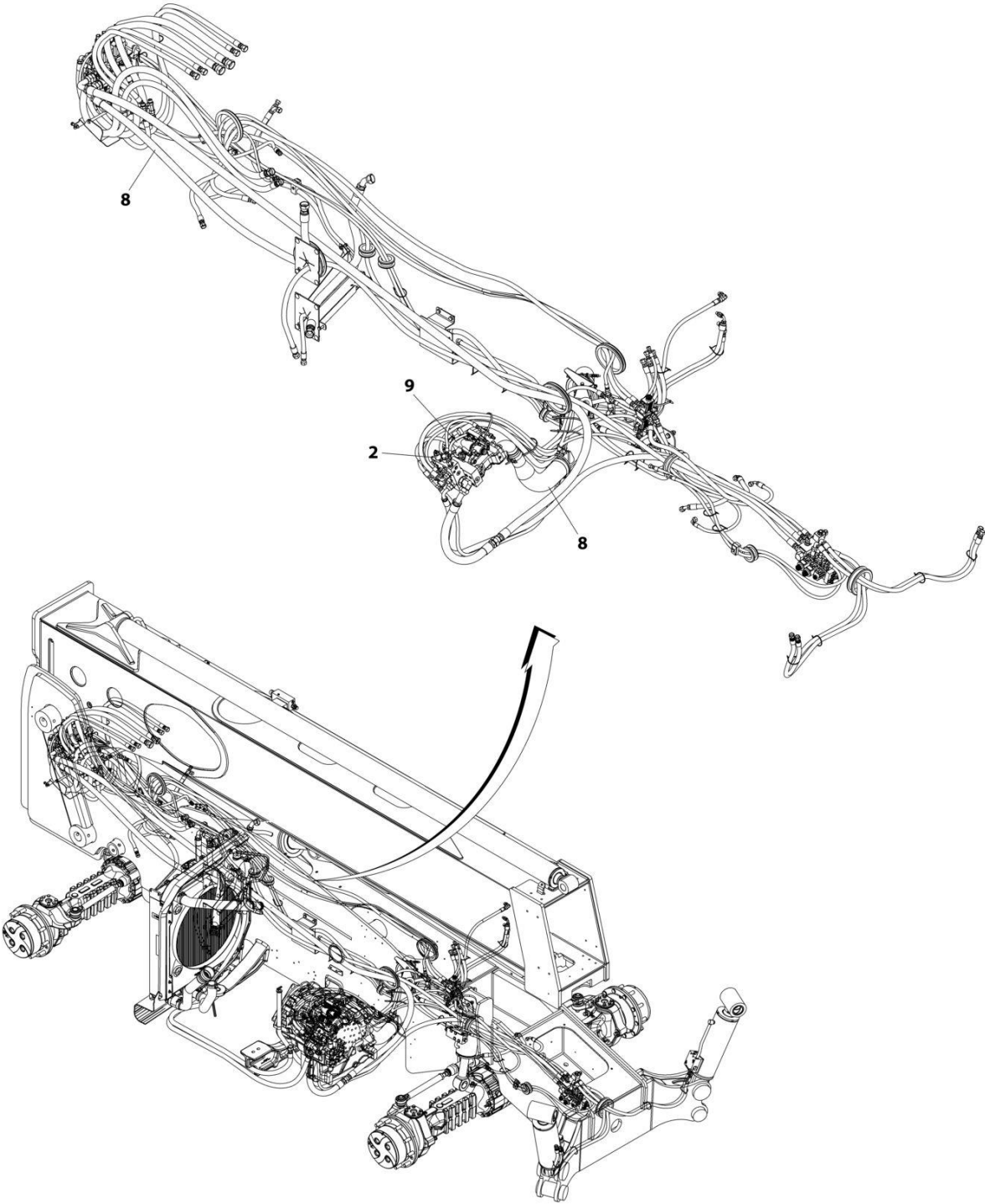
# SECTION 8 - HYDRAULIC CIRCUITS

## FIGURE 8-1. MAIN HYDRAULICS INSTALLATION



ART\_1001160705\_G\_10F2

# SECTION 8 - HYDRAULIC CIRCUITS



ART\_1001160705\_G\_20F2

## SECTION 8 - HYDRAULIC CIRCUITS

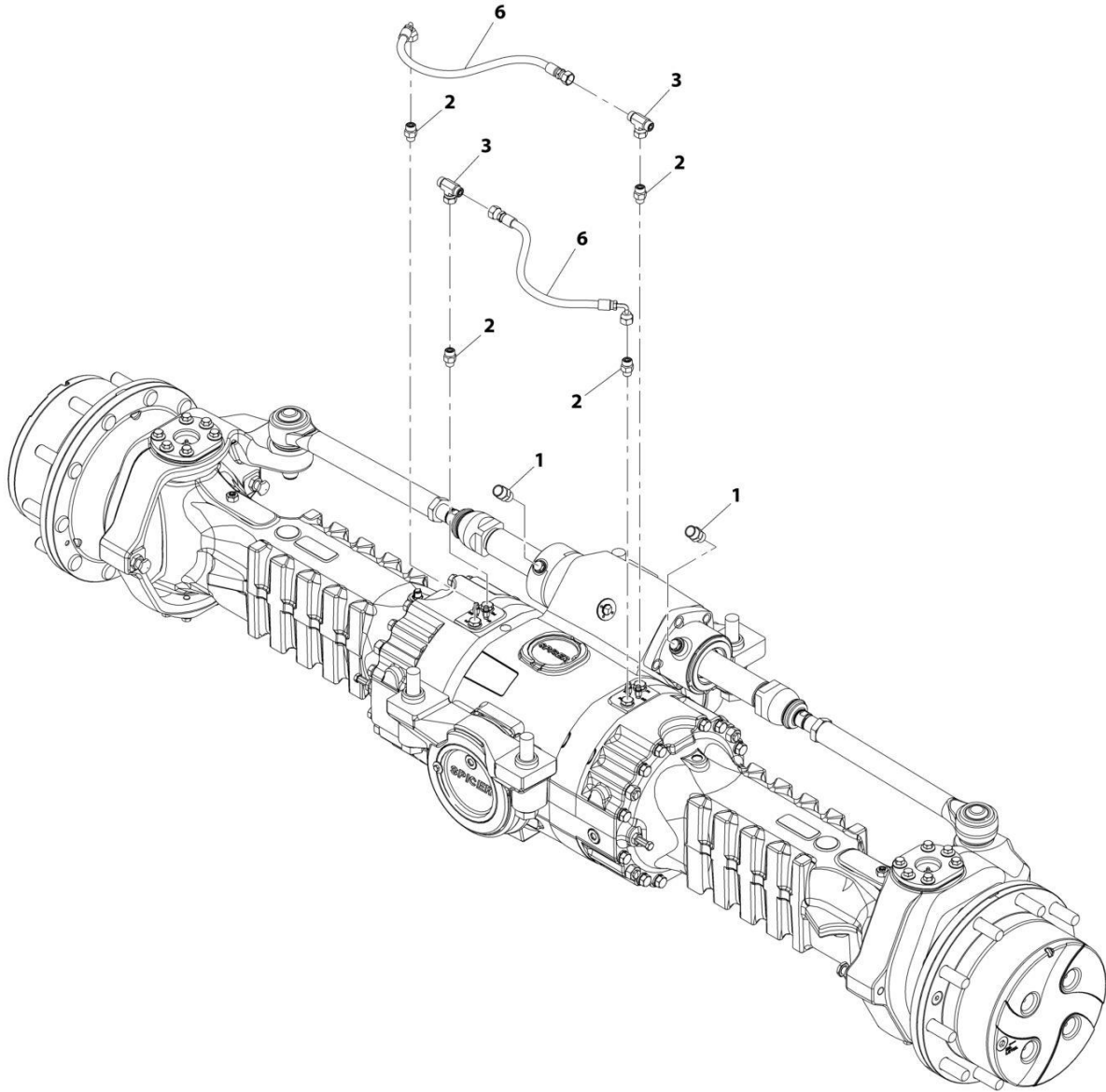
**FIGURE 8-1. MAIN HYDRAULICS INSTALLATION**

ITEM	PART NUMBER	QTY	DESCRIPTION	REV
	1001160705	Ref	MAIN HYDRAULICS INSTALLATION	G
1	1001161306	Ref	Installation, Steer Select Valve (See Separate Breakdown in this Section)	
2	1001161308	Ref	Installation, Priority Function Manifold (See Separate Breakdown in this Section)	
3	1001225751	Ref	Installation, Main Control Valve (See Separate Breakdown in this Section)	
4	1001159760	Ref	Installation, Frame Level and Outrigger Valve (See Separate Breakdown in this Section)	
5	1001161351	Ref	Installation, Frame Hydraulic (See Separate Breakdown in this Section)	
6	1001161352	Ref	Installation, Cab Hydraulic (See Separate Breakdown in this Section)	
7	1001194245	Ref	Installation, Boom Hydraulic (See Separate Breakdown in this Section)	
8	1001161780	Ref	Installation, Engine Bay Hydraulic (See Separate Breakdown in this Section)	
9	1001162670	Ref	Installation, Piston Pump (See Separate Breakdown in this Section)	
10	1001253371	Ref	Installation, SAHR Break Valve (See Separate Breakdown in this Section)	



# SECTION 8 - HYDRAULIC CIRCUITS

## FIGURE 8-2. AXLE (FRONT) LINES INSTALLATION



ART\_1001161421-D

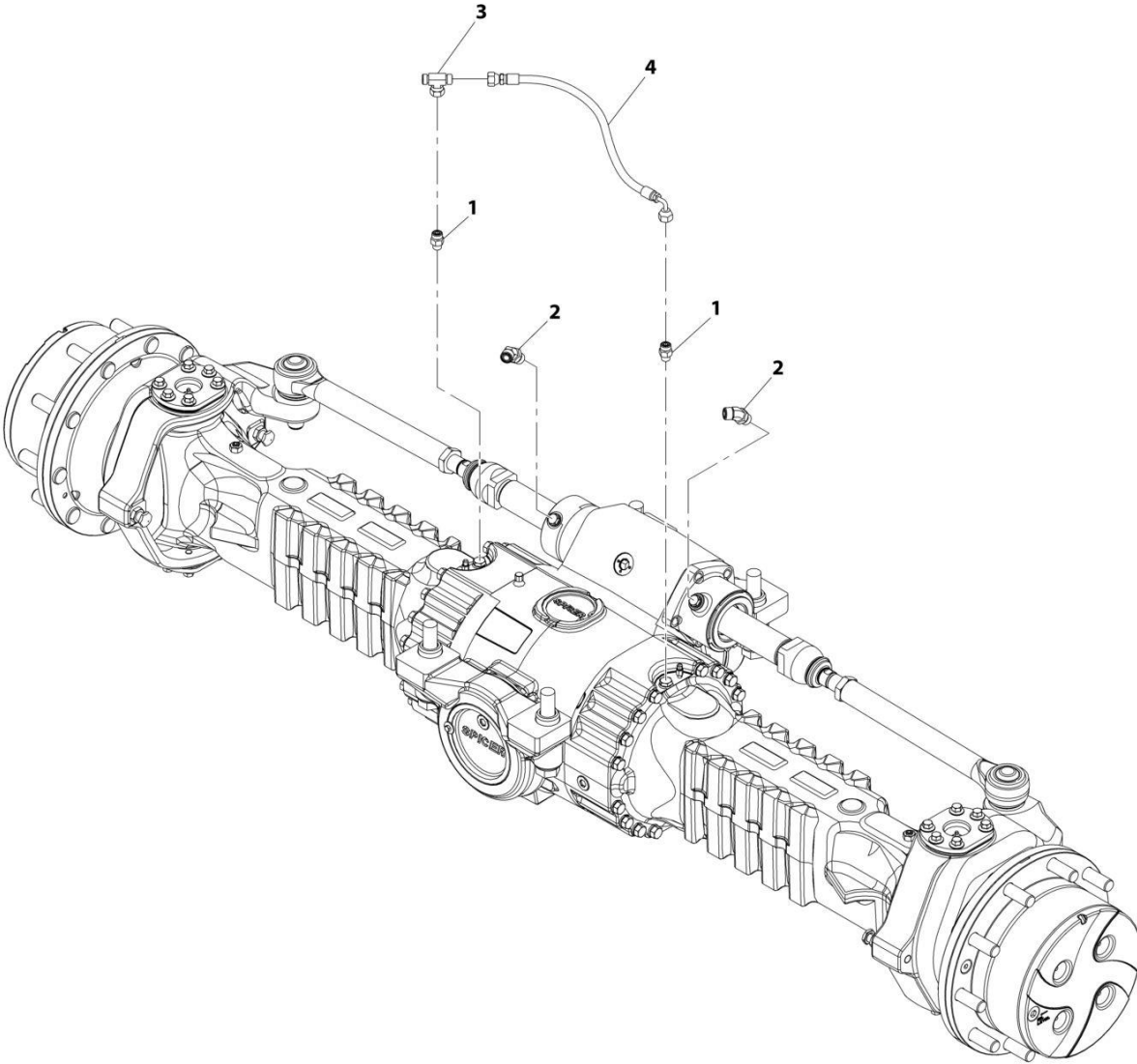
## SECTION 8 - HYDRAULIC CIRCUITS

### FIGURE 8-2. AXLE (FRONT) LINES INSTALLATION

ITEM	PART NUMBER	QTY	DESCRIPTION	REV
	1001161421	Ref	Front Axle Lines Installation	D
1	2110808	2	Fitting, Straight ORFS	
2	2144605	4	Fitting, Straight ORFS	
3	2170806	2	Fitting, Tee ORFS	
6	1001097810	2	Hose	

# SECTION 8 - HYDRAULIC CIRCUITS

## FIGURE 8-3. AXLE (REAR) LINES INSTALLATION



ART\_1001161424-D



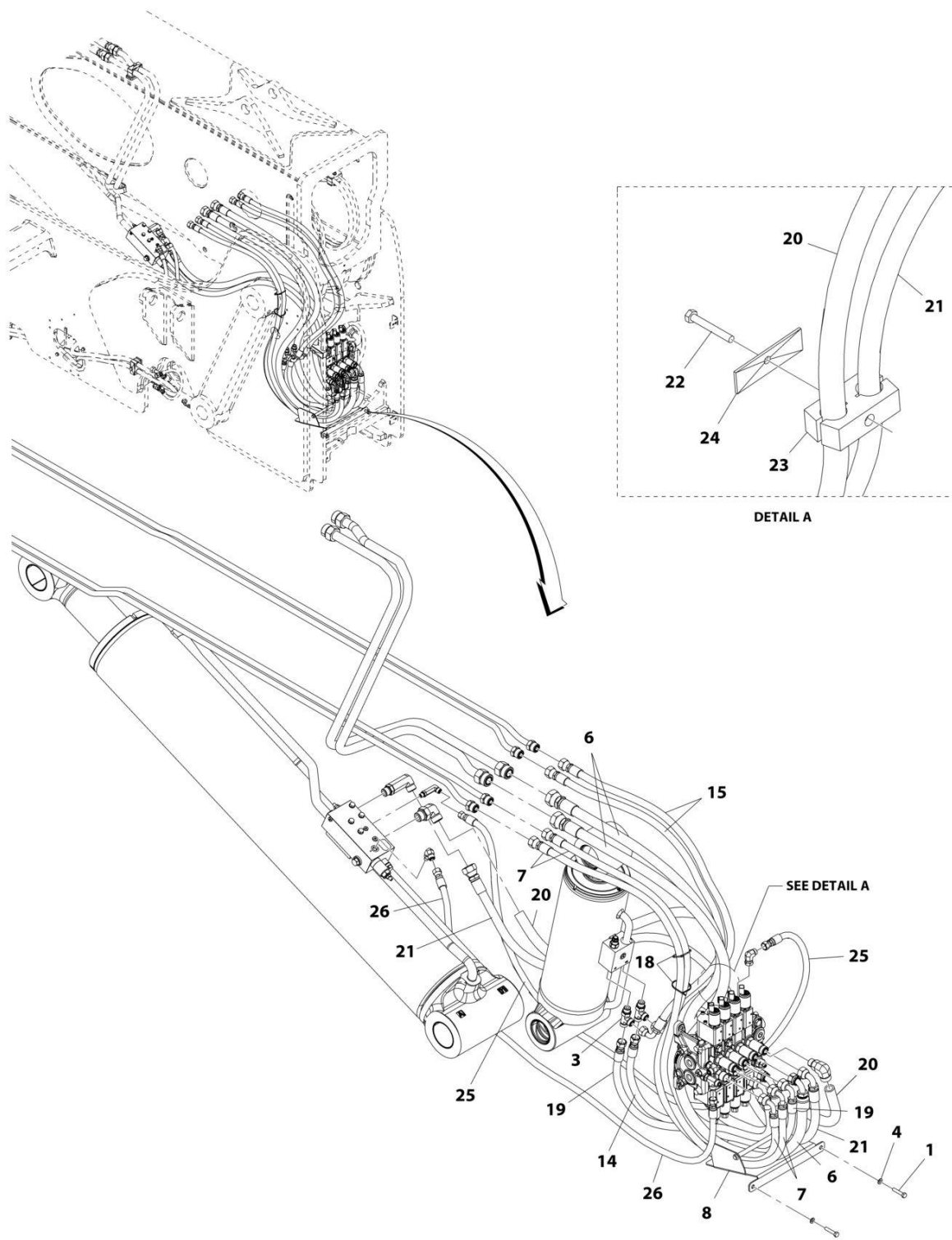
## SECTION 8 - HYDRAULIC CIRCUITS

### FIGURE 8-3. AXLE (REAR) LINES INSTALLATION

ITEM	PART NUMBER	QTY	DESCRIPTION	REV
	1001161424	Ref	Rear Axle Lines Installation	D
1	2144605	2	Fitting, Straight ORFS	
2	2150808	2	Fitting, 45 ORFS	
3	2170806	1	Fitting, Tee ORFS	
4	1001102509	1	Hose	

# SECTION 8 - HYDRAULIC CIRCUITS

## FIGURE 8-4. BOOM HYDRAULIC INSTALLATION



ART\_1001194245-F

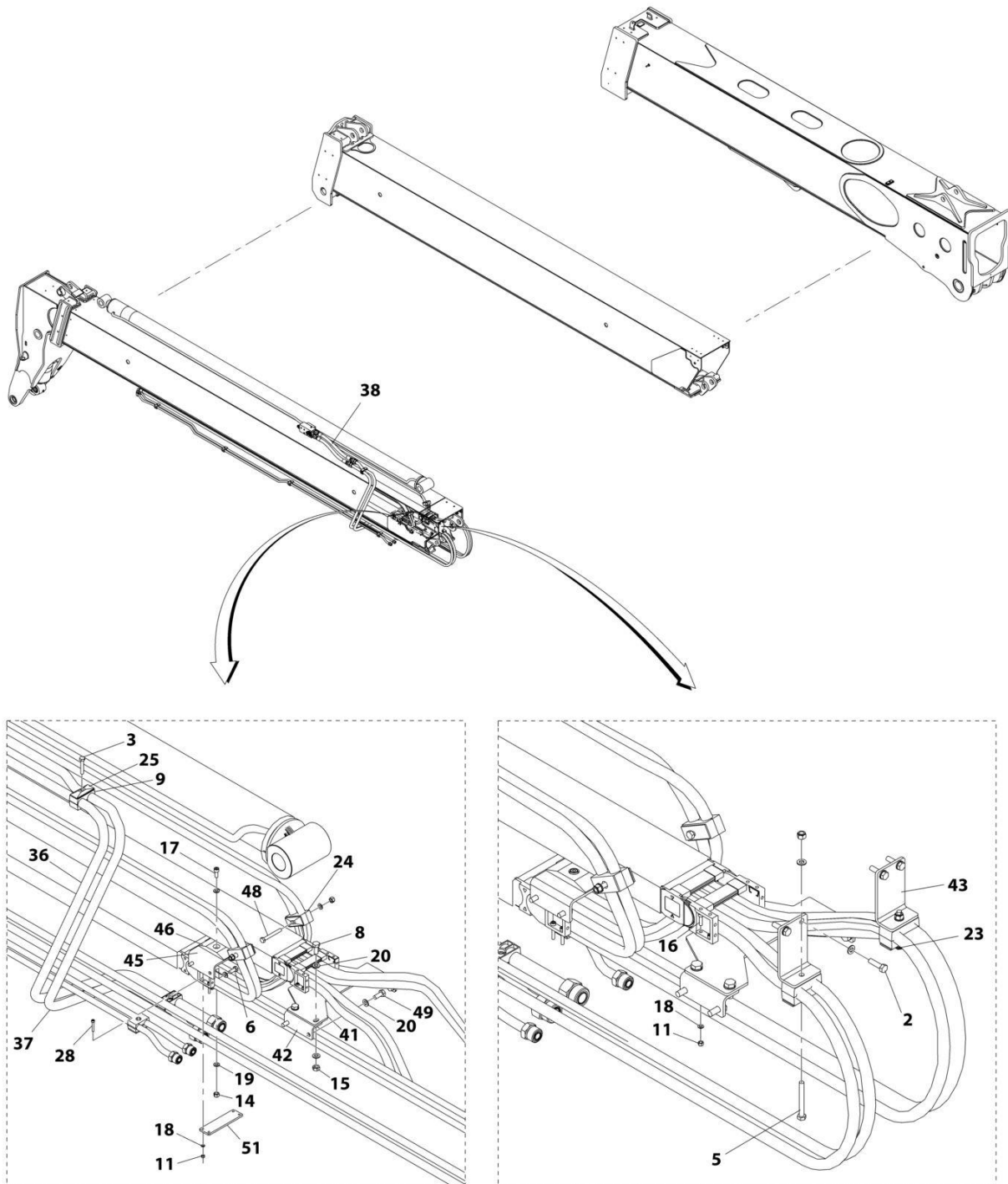
## SECTION 8 - HYDRAULIC CIRCUITS

**FIGURE 8-4. BOOM HYDRAULIC INSTALLATION**

ITEM	PART NUMBER	QTY	DESCRIPTION	REV
	1001194245	Ref	Boom Hydraulic Installation	F
1	0700816	2	Bolt, M8X40	
3	2170308	2	Fitting, Tee ORFS	
4	4811900	2	Washer, M8	
6	1001169376	2	Hose	
7	1001169378	2	Hose	
8	1001193771	1	Channel, Boom Hose	
14	1001193781	1	Hose	
15	1001193782	2	Hose	
18	4240099	2	Tie, Wire	
19	1001188637	1	Hose	
20	1001201921	1	Hose	
21	1001226397	1	Hose	
22	0700820	1	Screw, M8X60	
23	8750024	1	Clamp	
24	8750025	1	Cover Plate	
25	1001226405	1	Hose	
26	1001226406	1	Hose	

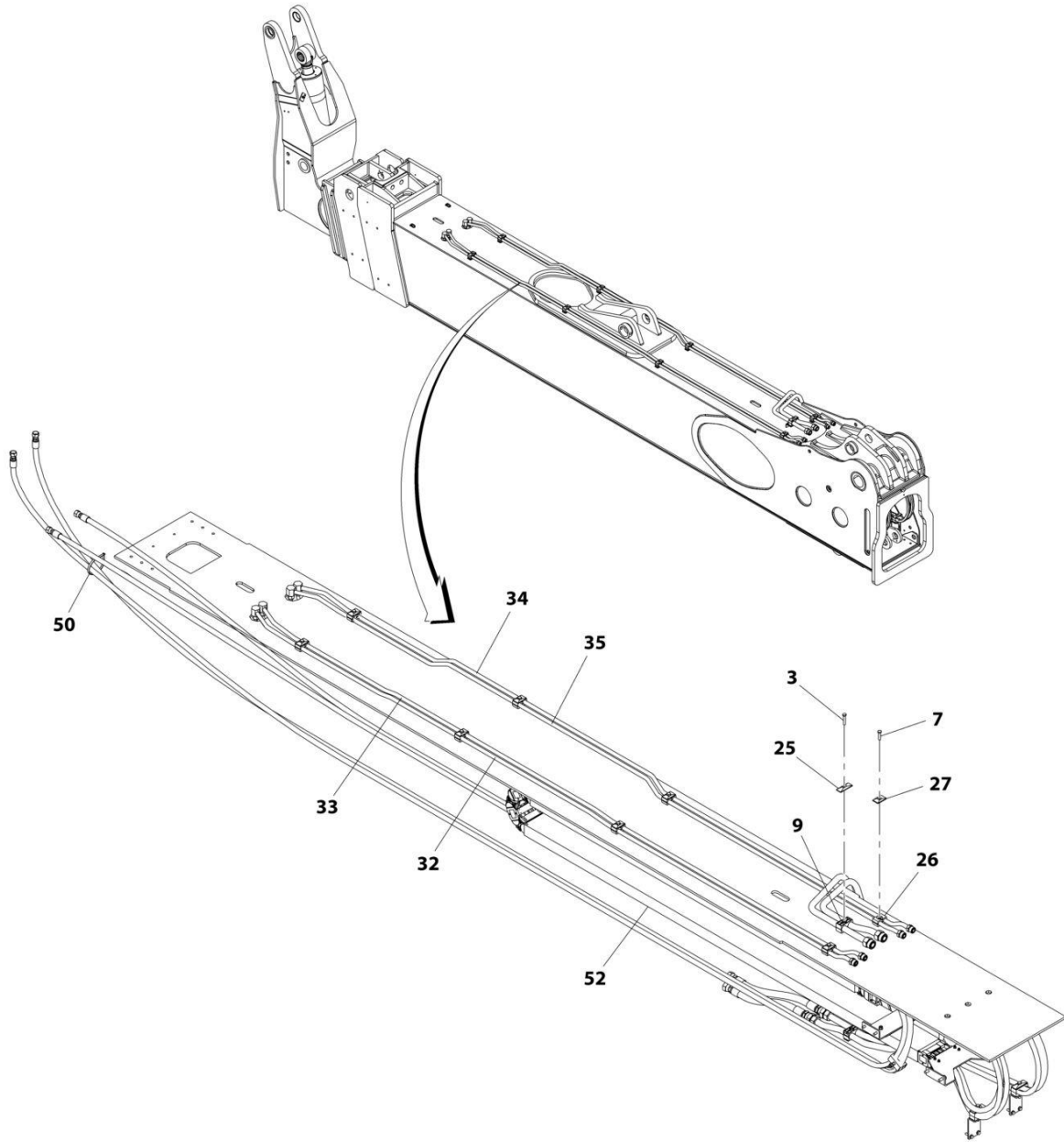
# SECTION 8 - HYDRAULIC CIRCUITS

## FIGURE 8-5. BOOM HYDRAULIC TUBES INSTALLATION



ART\_1001174329\_1-I

# SECTION 8 - HYDRAULIC CIRCUITS



ART\_1001174329\_2-1

## SECTION 8 - HYDRAULIC CIRCUITS

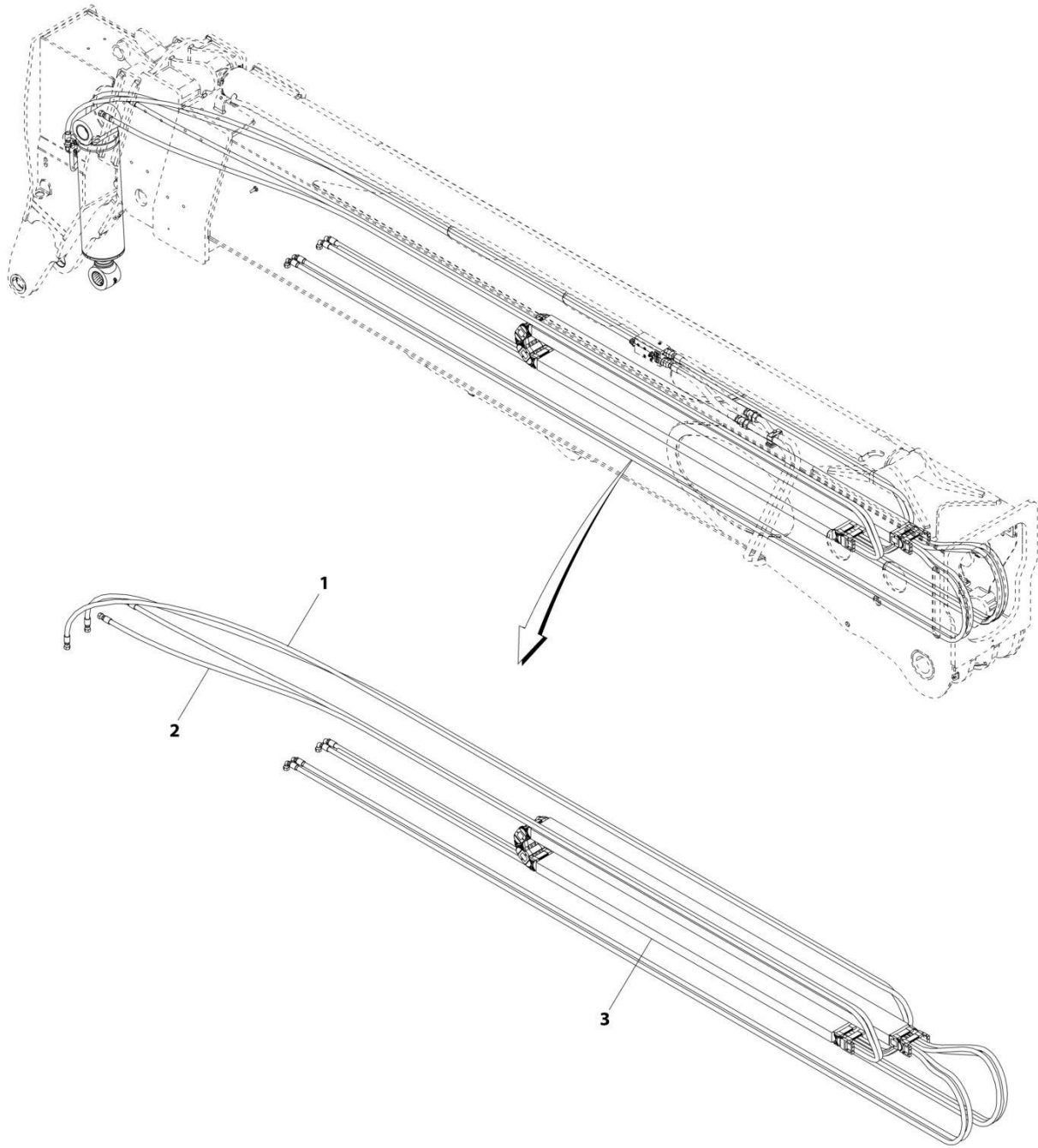
FIGURE 8-5. BOOM HYDRAULIC TUBES INSTALLATION

ITEM	PART NUMBER	QTY	DESCRIPTION	REV
	1001174329	Ref	Boom Hydraulic Tubes Installation	I
2	0700814	4	Bolt, M8X30	
3	0700817	2	Bolt, M8X45	
5	0700822	2	Bolt, M8X70	
6	0760810	4	Bolt, M8X20	
7	0760815	8	Bolt, M8X35	
8	0761012	2	Bolt, M10X25	
9	1321329	2	Clamp	
11	3290505	8	Nut, Lock M5X0.8	
14	3290805	6	Nut, Lock M8X1.25	
15	3291001	2	Nut, M10X1.5	
16	4031608	4	Bolt, M5X20	
17	4031908	2	Bolt, M8X20	
18	4811600	8	Washer, M5	
19	4811900	17	Washer, M8	
20	4812000	8	Washer, M10	
23	8406105	1	Clip	
24	77133136	4	Clamp	
25	77133137	6	Plate, Twin Hose Cover	
26	77133139	8	Clamp	
27	77133140	8	Plate, Cover	
28	1001104029	4	Bolt, M5X30	
32	1001170536	1	Tube	
33	1001170537	1	Tube	
34	1001170538	1	Tube	
35	1001170539	1	Tube	
36	1001170540	1	Tube	
37	1001170541	1	Tube	
38	1001170549	2	Hose	
41	1001173953	1	Bracket	
42	1001173954	1	Bracket	
43	1001173955	2	Bracket	
45	1001174100	1	Bracket	
46	1001174145	1	Pad	
48	0700821	2	Bolt, M8X65	
49	0761010	4	Bolt, M10X20	
50	8881800	1	Tie Strap	
51	1001202303	1	Plate	
52	1001233919	1	Installation, Twin/Tri Line Hoses (See Separate Breakdown in this Section)	



# SECTION 8 - HYDRAULIC CIRCUITS

## FIGURE 8-6. BOOM HOSES INSTALLATION



ART\_1001233919-A



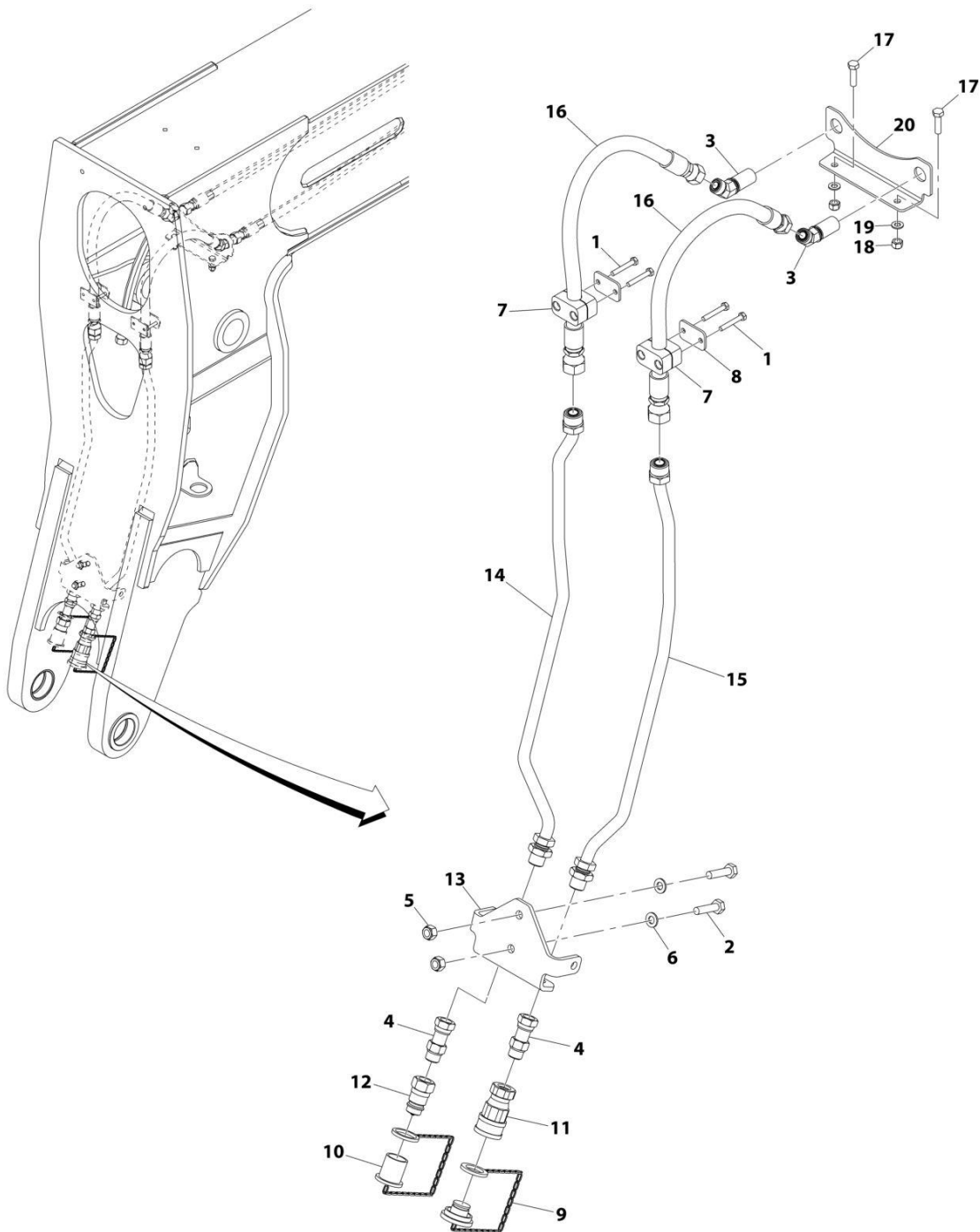
## SECTION 8 - HYDRAULIC CIRCUITS

### FIGURE 8-6. BOOM HOSES INSTALLATION

ITEM	PART NUMBER	QTY	DESCRIPTION	REV
	1001233919	Ref	Twin/Tri Line Hose Installation	A
1	1001173934	1	Hose	
2	1001173935	1	Hose	
3	1001175033	1	Carrier, Hose	

# SECTION 8 - HYDRAULIC CIRCUITS

## FIGURE 8-7. BOOM AUXILIARY HYDRAULIC INSTALLATION



ART\_1001167781-H

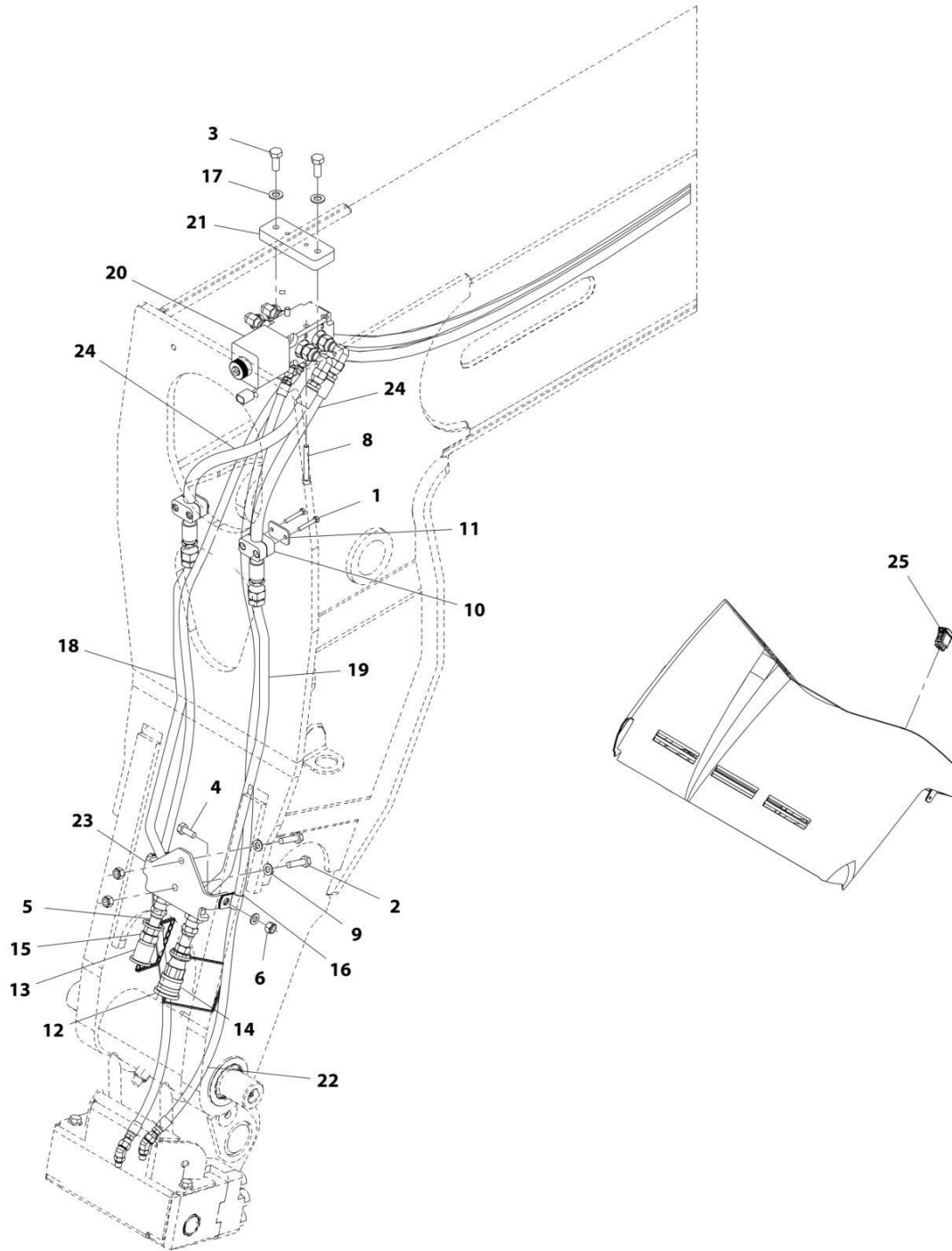
## SECTION 8 - HYDRAULIC CIRCUITS

**FIGURE 8-7. BOOM AUXILIARY HYDRAULIC INSTALLATION**

ITEM	PART NUMBER	QTY	DESCRIPTION	REV
	1001167781	Ref	Boom Auxiliary Hydraulic Installation	H
1	0700616	4	Bolt, M6X40	
2	0701016	2	Bolt, M10X40	
3	2171308	2	Fitting, 45 ORFS	
4	2180849	2	Fitting, Straight ORFS	
5	3291005	2	Nut, Lock M10X1.5	
6	4812000	2	Washer, M10	
7	1024044	2	Clamp	
8	8769153	2	Plate, Cover	
9	91043125	1	Plug, Dust	
10	91043126	1	Cap, Dust	
11	91403413	1	Coupler, Female	
12	91403414	1	Coupler, Male	
13	1001164948	1	Bracket	
14	1001211627	1	Hose	
15	1001211628	1	Hose	
16	1001178060	2	Hose	
17	0700814	2	Bolt, M8X30	
18	3290805	2	Nut, Lock M8X1.25	
19	4811900	2	Washer, M8	
20	1001169653	1	Support	

# SECTION 8 - HYDRAULIC CIRCUITS

## FIGURE 8-8. BOOM AUXILIARY HYDRAULIC INSTALLATION WITH HYDRAULIC COUPLER



ART\_1001167787-I

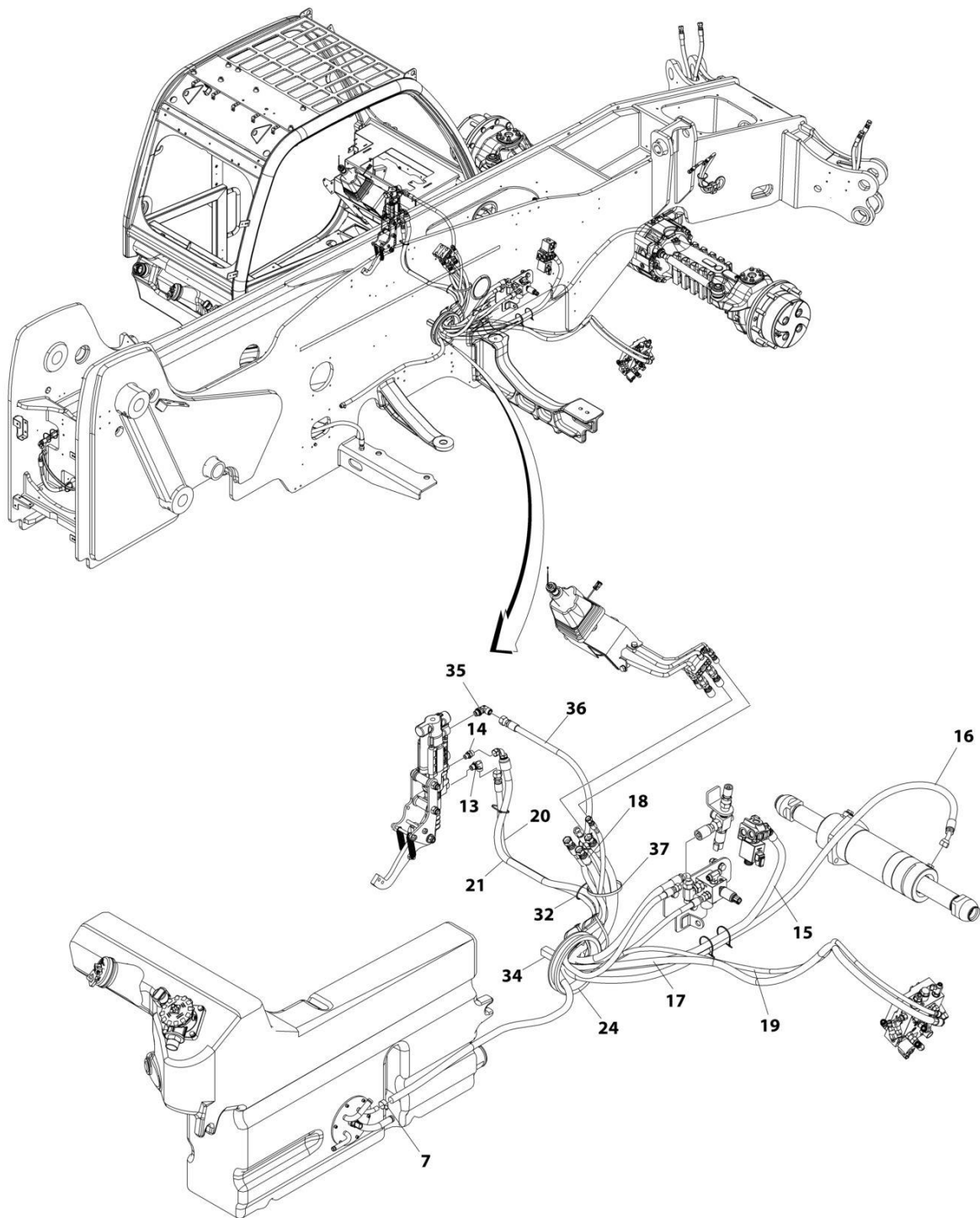
## SECTION 8 - HYDRAULIC CIRCUITS

**FIGURE 8-8. BOOM AUXILIARY HYDRAULIC INSTALLATION WITH HYDRAULIC COUPLER**

ITEM	PART NUMBER	QTY	DESCRIPTION	REV
	1001167787	Ref	Hydraulic Auxiliary with Coupler Installation	1
1	0700616	4	Bolt, M6X40	
2	0701016	2	Bolt, M10X40	
3	0761214	2	Bolt, M12X30	
4	0761012	2	Bolt, M10X25	
5	2180849	2	Fitting, Straight ORFS	
6	3291005	4	Nut, Lock M10X1.5	
8	4031918	2	Bolt, M8X70	
9	4812000	4	Washer, M10	
10	1024044	2	Clamp	
11	8769153	2	Plate, Cover	
12	91043125	1	Plug, Dust	
13	91043126	1	Cap, Dust	
14	91403413	1	Coupler, Female	
15	91403414	1	Coupler, Male	
16	1001080996	2	Clamp	
17	1001125117	2	Washer, M12	
18	1001211627	1	Hose	
19	1001211628	1	Hose	
20	1001164869	1	Assembly, Quick Attach Valve (See Separate Breakdown in this Section)	
21	1001164870	1	Plate, Valve Attachment	
22	1001164873	2	Hose	
23	1001164948	1	Bracket, Aux Mount	
24	1001178060	2	Hose	
25	1001080375	1	Switch, Quick Switch	

# SECTION 8 - HYDRAULIC CIRCUITS

## FIGURE 8-9. CAB HYDRAULIC INSTALLATION



ART\_1001161352

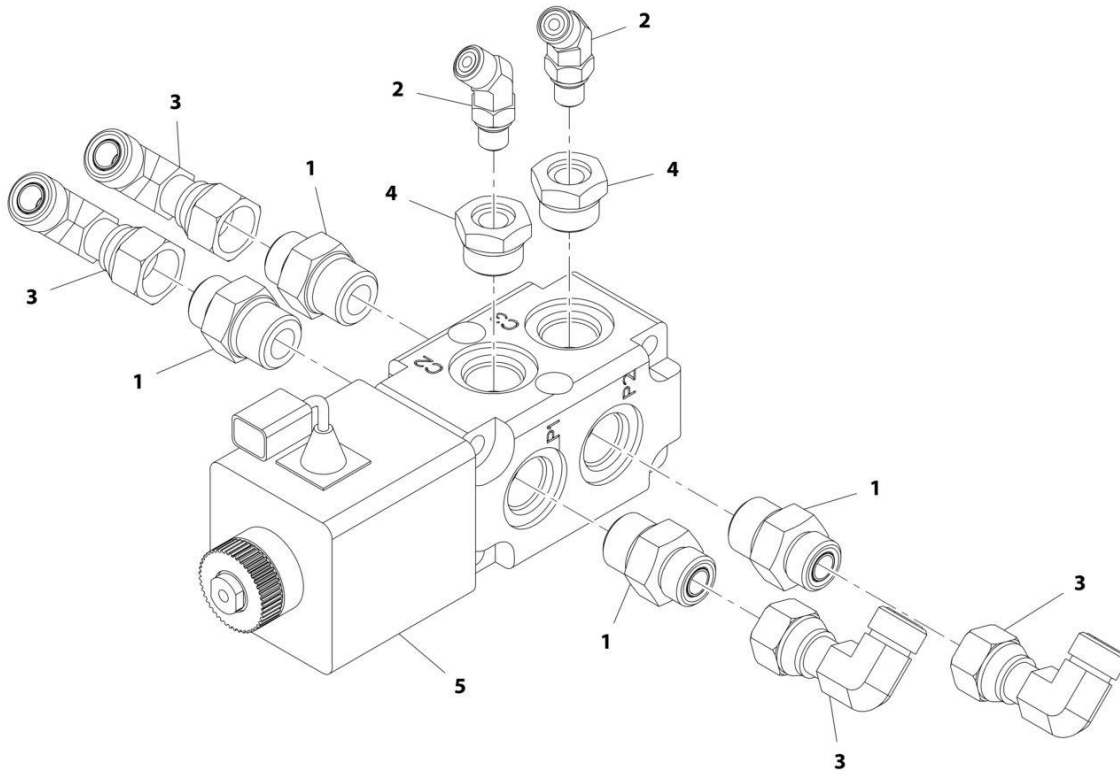
## SECTION 8 - HYDRAULIC CIRCUITS

**FIGURE 8-9. CAB HYDRAULIC INSTALLATION**

ITEM	PART NUMBER	QTY	DESCRIPTION	REV
	1001161352	Ref	FRAME HYDRAULIC INSTALLATION	N
7	8405006	1	Clamp, Gear	
13	8770120	1	Fitting, 90 ORFS	
14	80233218	1	Fitting, Straight ORFS	
15	1001204152	1	Hose	
16	1001204153	1	Hose	
17	1001253154	1	Hose	
18	1001253156	1	Hose	
19	1001253097	1	Hose	
20	1001253103	1	Hose	
21	1001161528	1	Hose	
24	1001169830	1	Grommet	
32	4240099	5	Tie, Wire	
34	4060919	230 mm	Shield	
35	1001168054	1	Adapter	
36	1001203067	1	Hose	
37	4240018	3	Strap	

# SECTION 8 - HYDRAULIC CIRCUITS

## FIGURE 8-10. COUPLER VALVE & FITTING ASSEMBLY



ART\_1001164869-B



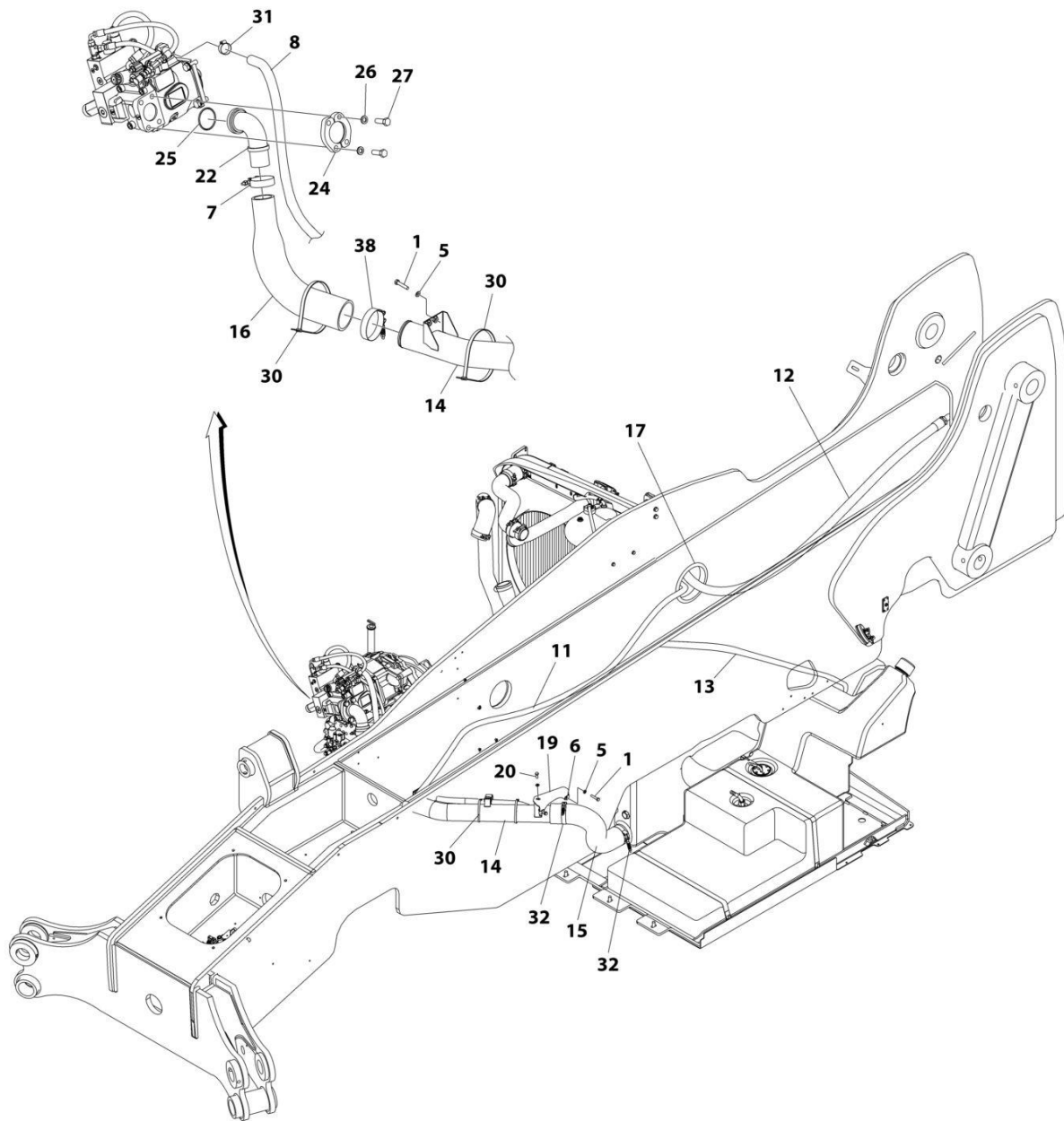
## SECTION 8 - HYDRAULIC CIRCUITS

### FIGURE 8-10. COUPLER VALVE & FITTING ASSEMBLY

ITEM	PART NUMBER	QTY	DESCRIPTION	REV
	1001164869	Ref	Quick Coupler Valve Assembly	B
1	2110810	4	Adapter	
2	2150404	2	Adapter	
3	2172108	4	Adapter	
4	1001001568	2	Reducer	
5	1001104477	1	Valve, Quick Coupler (See Separate Breakdown in HYDRAULIC COMPONENTS Section)	

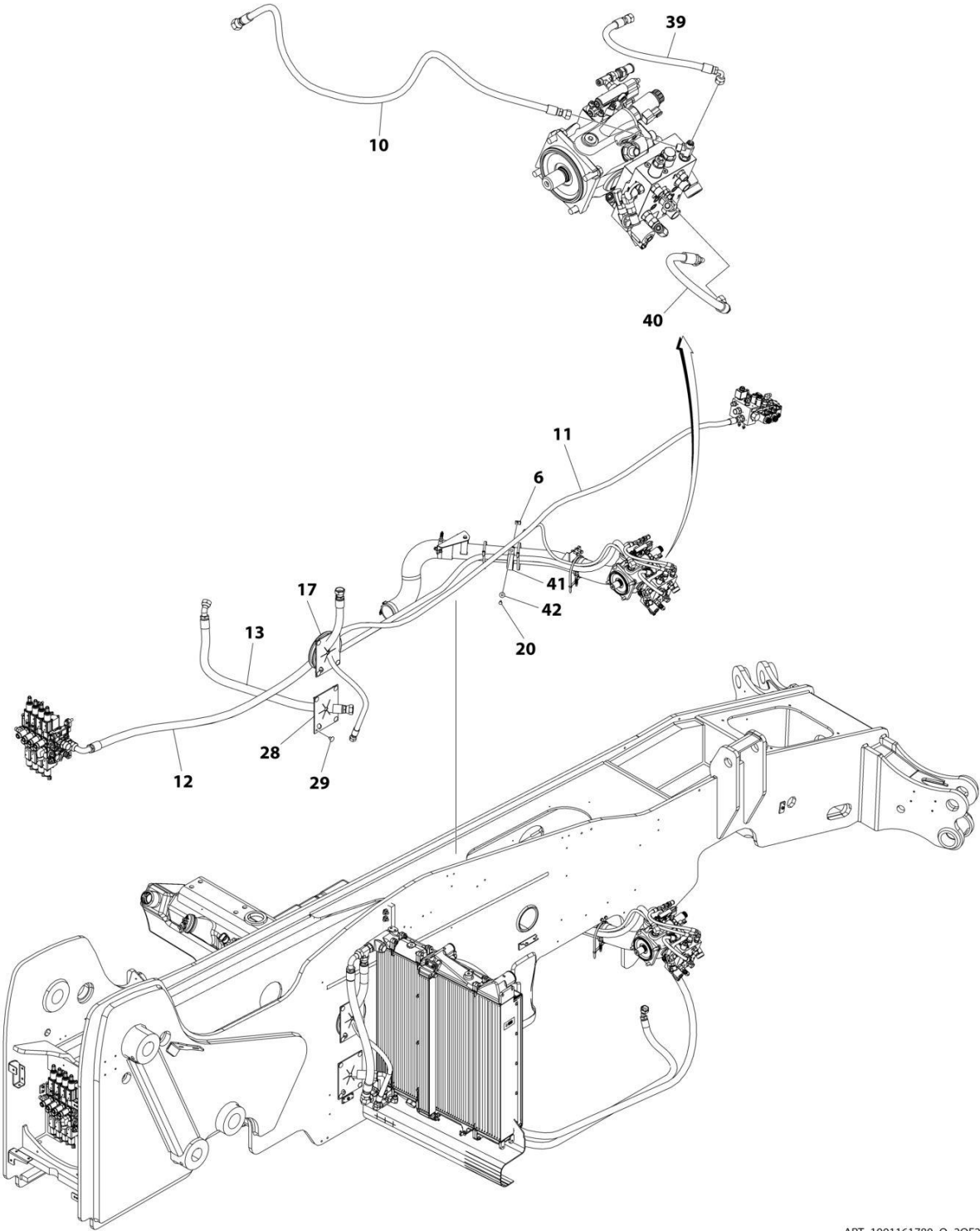
# SECTION 8 - HYDRAULIC CIRCUITS

## FIGURE 8-11. ENGINE BAY HYDRAULIC INSTALLATION



ART\_1001161780\_O\_10F2

# SECTION 8 - HYDRAULIC CIRCUITS



ART\_1001161780\_O\_20F2

## SECTION 8 - HYDRAULIC CIRCUITS

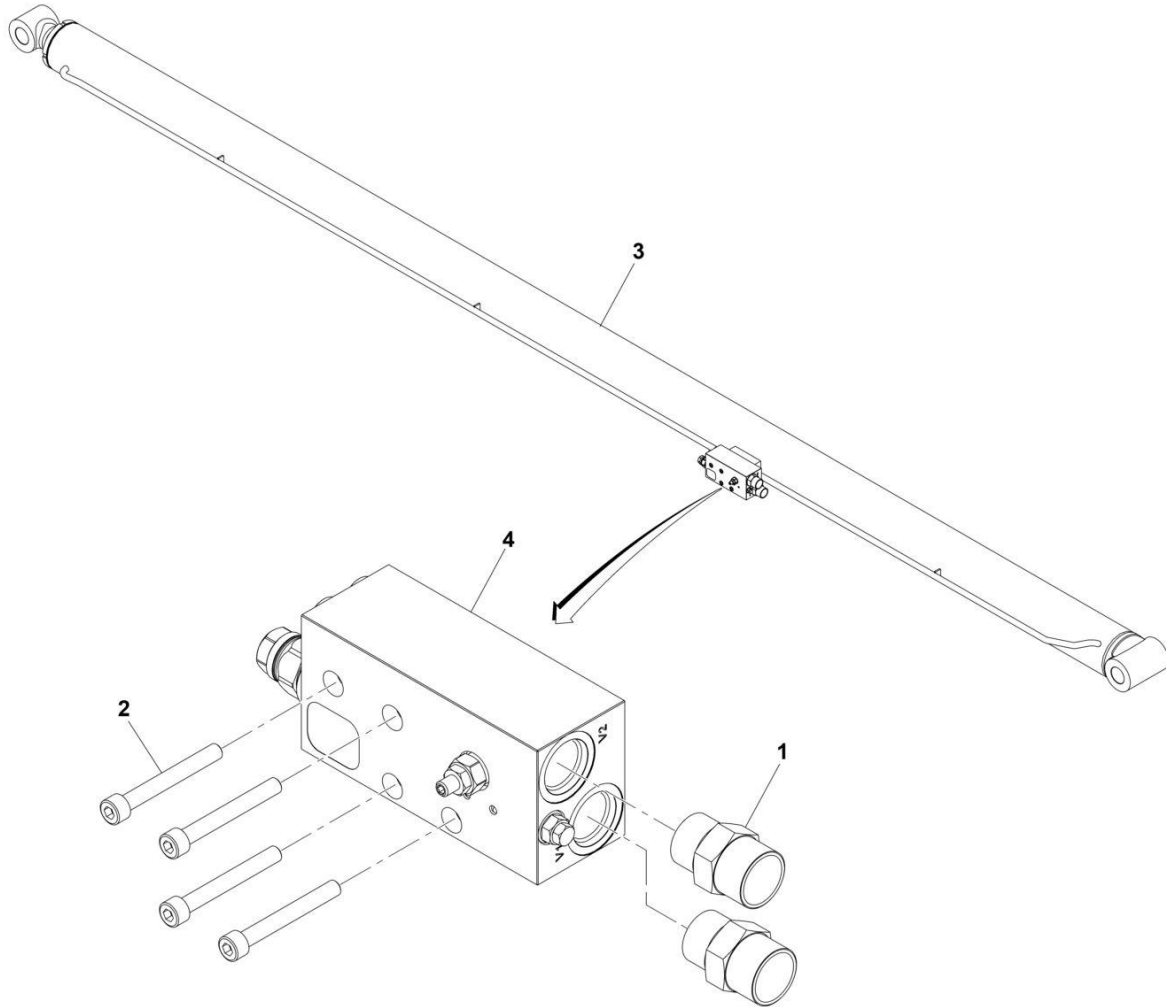
FIGURE 8-11. ENGINE BAY HYDRAULIC INSTALLATION

ITEM	PART NUMBER	QTY	DESCRIPTION	REV
	1001161780	Ref	ENGINE BAY HYDRAULIC INSTALLATION	O
1	0700816	4	Bolt M8 x 40	
5	4811900	5	Washer M8	
6	8310686	4	Nut M8 x 12.5	
7	8405209	1	Clamp, T-Bolt	
8	1001186418	1	Hose	
10	1001253089	1	Hose	
11	1001161912	1	Hose	
12	1001161977	1	Hose	
13	1001161978	1	Hose	
14	1001173446	1	Pipe	
15	1001173451	1	Hose	
16	1001173450	1	Hose	
17	1001169830	1	Grommet	
19	1001174338	1	Bracket, Suction Tube	
20	0760810	2	Bolt M8 x 20	
22	8424233	1	Elbow, 90	
24	8546407	2	Flange, Half	
25	3790228	1	O-Ring	
26	4761800	4	Washer 1/2	
27	0641812	4	Bolt 1/2-13	
28	1001175347	2	Grommet, Rubber	
29	1001180306	8	Screw	
30	1001158298	3	Strap, Tie	
31	8405007	2	Clamp, Hose	
32	1001186843	2	Clamp, T-Bolt	
38	1001232377	1	Clamp, T-Bolt	
39	1001253086	1	Hose	
40	1001260572	1	Hose	
41	1320219	1	Clamp	
42	4811902	1	Washer M8	



# SECTION 8 - HYDRAULIC CIRCUITS

## FIGURE 8-12. EXTEND/RETRACT CYLINDER VALVE INSTALLATION



ART\_1001171330-H

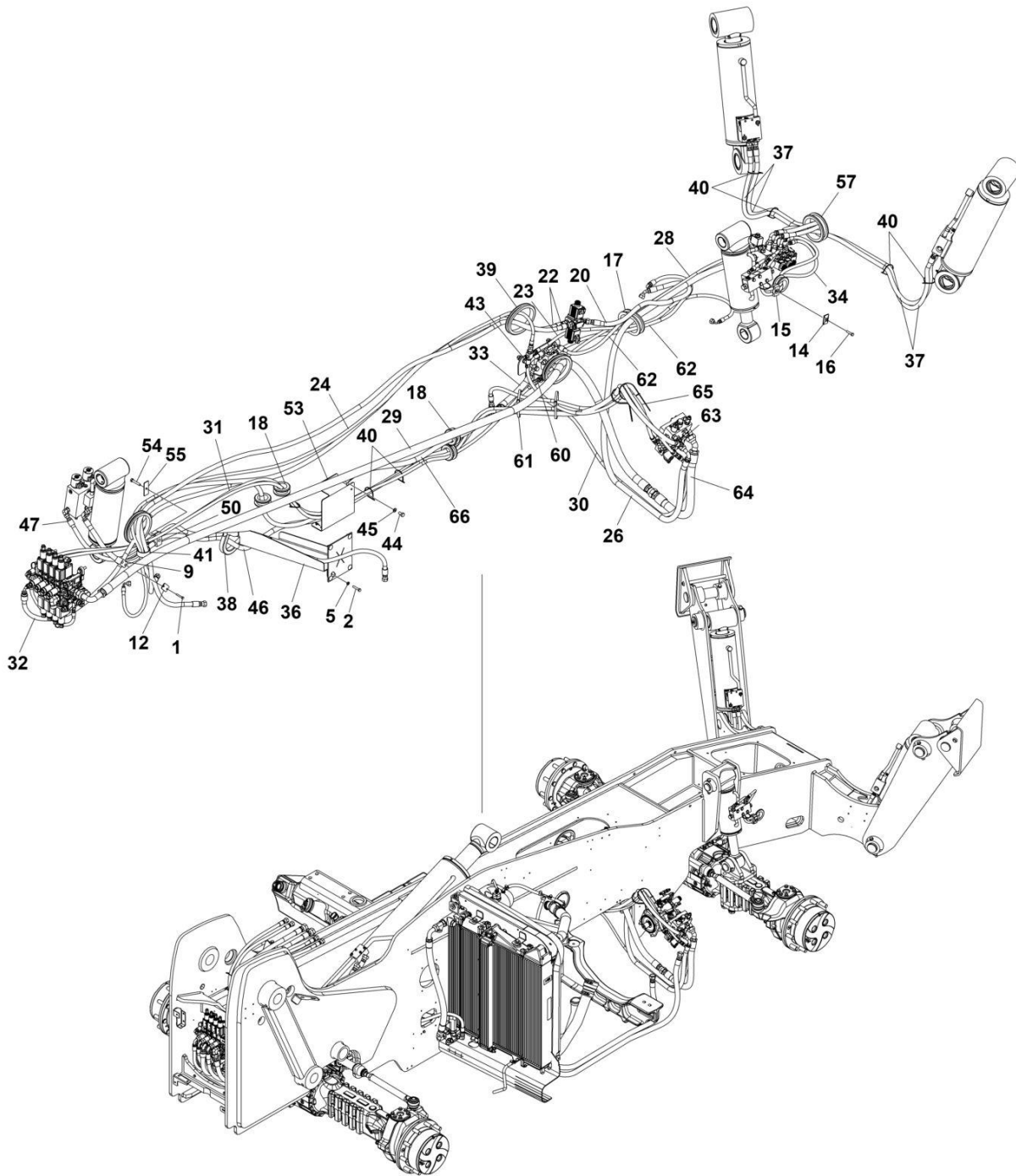
## SECTION 8 - HYDRAULIC CIRCUITS

**FIGURE 8-12. EXTEND/RETRACT CYLINDER VALVE INSTALLATION**

ITEM	PART NUMBER	QTY	DESCRIPTION	REV
	1001171330	Ref	Extend/Retract Cylinder Installation	H
1	2111212	2	Adapter	
2	4031917	4	Bolt, M8X65	
3	1001251067	1	Cylinder, Extend/Retract (See Separate Breakdown in HYDRAULIC COMPONENTS Section)	
4	1001231065	1	Valve, Tele CBV	

# SECTION 8 - HYDRAULIC CIRCUITS

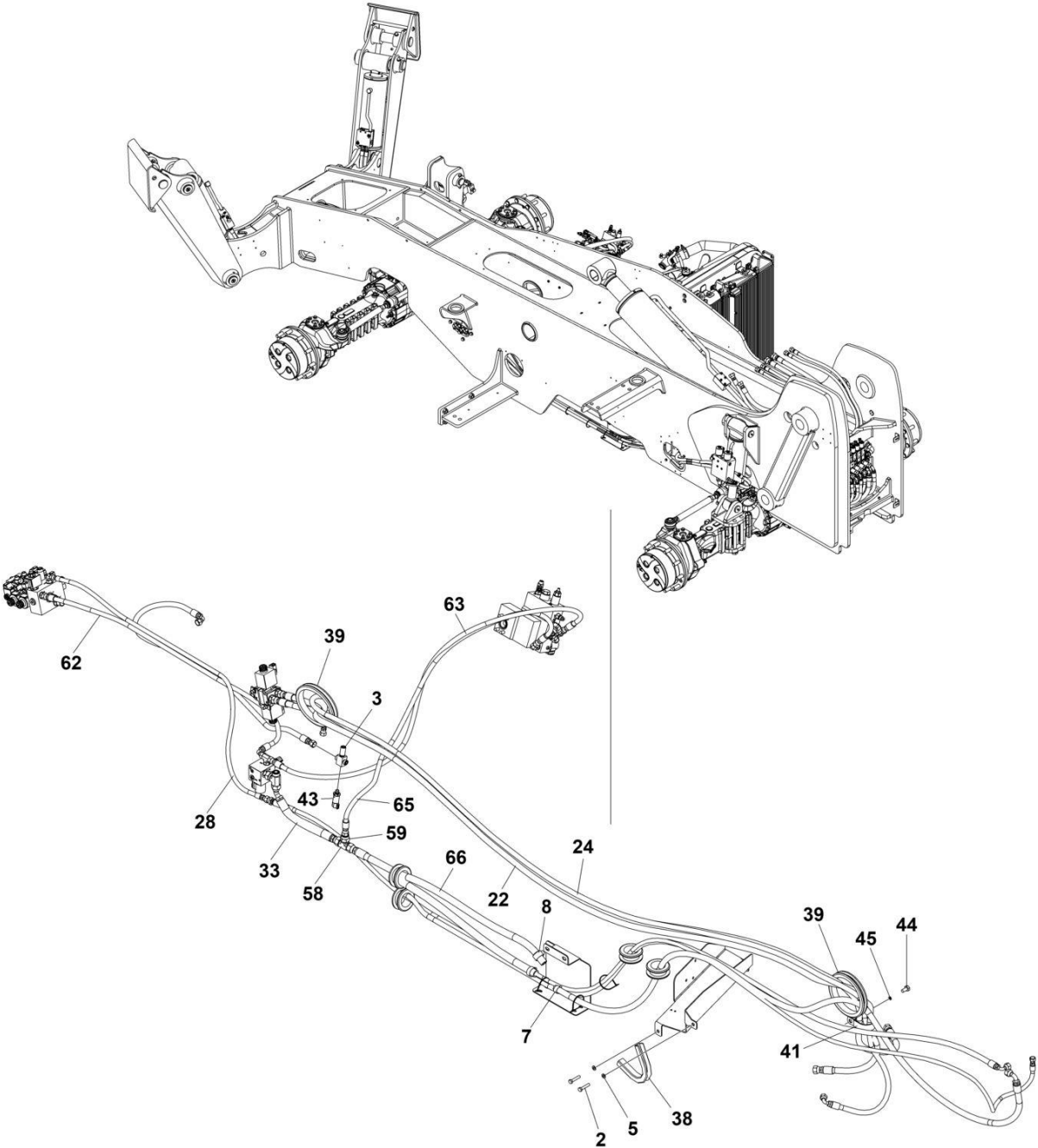
## FIGURE 8-13. FRAME HYDRAULIC INSTALLATION



ART\_1001161351\_AA\_10F2



# SECTION 8 - HYDRAULIC CIRCUITS



ART\_1001161351\_AA\_2OF2

# SECTION 8 - HYDRAULIC CIRCUITS

## FIGURE 8-13. FRAME HYDRAULIC INSTALLATION

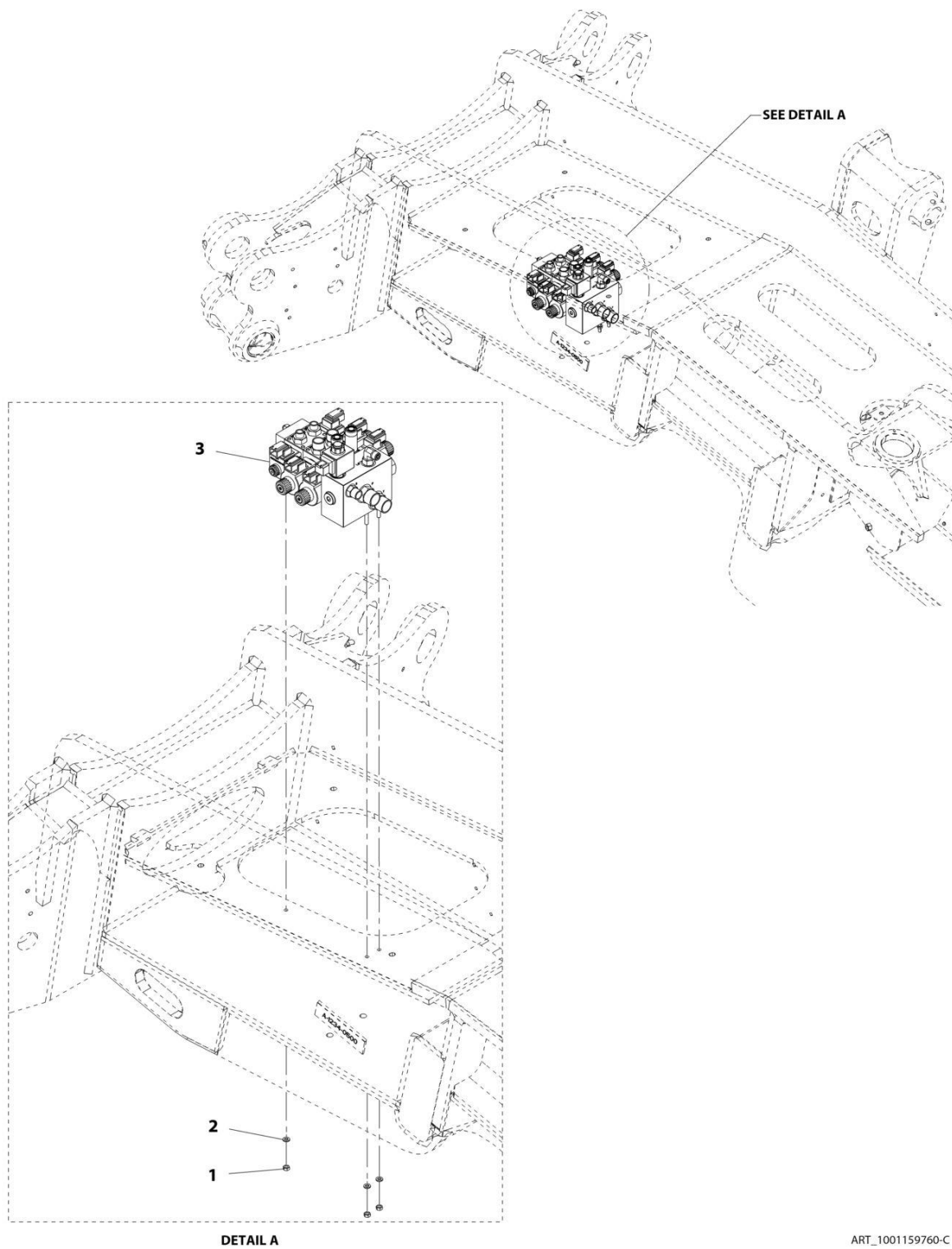
ITEM	PART NUMBER	QTY	DESCRIPTION	REV
	1001161351	Ref	FRAME HYDRAULIC INSTALLATION	AA
1	0700616	2	Bolt M6 x 40	
2	0700815	4	Bolt M8 x 40	
3	1001205756	1	Fitting, Tee	
5	4811900	4	Washer, M8	
7	8405006	1	Clamp, Gear	
8	8410009	1	Clamp, Gear	
9	8750029	1	Clamp, Hose	
12	8769153	1	Plate, Cover	
14	77133140	1	Plate, Cover	
15	77133168	1	Clamp, Twin Hose	
16	0760815	1	Bolt M8 x 35	
17	1001166397	1	Grommet	
18	1001028308	5	Grommet	
20	1001161340	1	Hose	
22	1001161343	2	Hose	
23	1001202846	1	Hose	
24	1001202847	1	Hose	
26	1001253084	1	Hose	
28	1001253090	1	Hose	
29	1001253076	1	Hose	
30	1001253111	1	Hose	
31	1001253096	1	Hose	
32	1001225467	1	Hose	
33	1001253078	1	Hose	
34	1001162069	2	Hose	
36	1001257763	1	Channel, Hose	
37	1001214468	4	Hose	
38	4060919	225 mm	Trim, Hose Protection	
39	1001177704	3	Grommet	
40	4240099	15	Tie, Wire	
41	80673025	1	P-Clamp, 2.25	
43	1001147340	1	Sensor, Pressure	
44	0761010	3	Bolt M10 x 20	
45	4812000	3	Washer M10	
46	1001253160	1	Hose	
47	1001192042	1	Hose	
50	8750016	1	Clamp, Twin Hose	
53	1001208881	1	Bracket, Hose Guide	
54	0700817	1	Bolt M8 x 45	
55	77133137	1	Plate, Twin Hose Cover	
57	1001244138	1	Grommet	
58	2170510	1	Adaptor	
59	2221244	1	Fitting	
60	88662434	1	Fitting	
61	1001158298	2	Strap	
62	1001253102	2	Hose	
63	1001253107	1	Hose	
64	1001259141	1	Hose	
65	1001260573	1	Hose	

## SECTION 8 - HYDRAULIC CIRCUITS

ITEM	PART NUMBER	QTY	DESCRIPTION	REV
66	1001260599	1	Hose	

# SECTION 8 - HYDRAULIC CIRCUITS

## FIGURE 8-14. FRAME LEVEL AND OUTRIGGER VALVE INSTALLATION



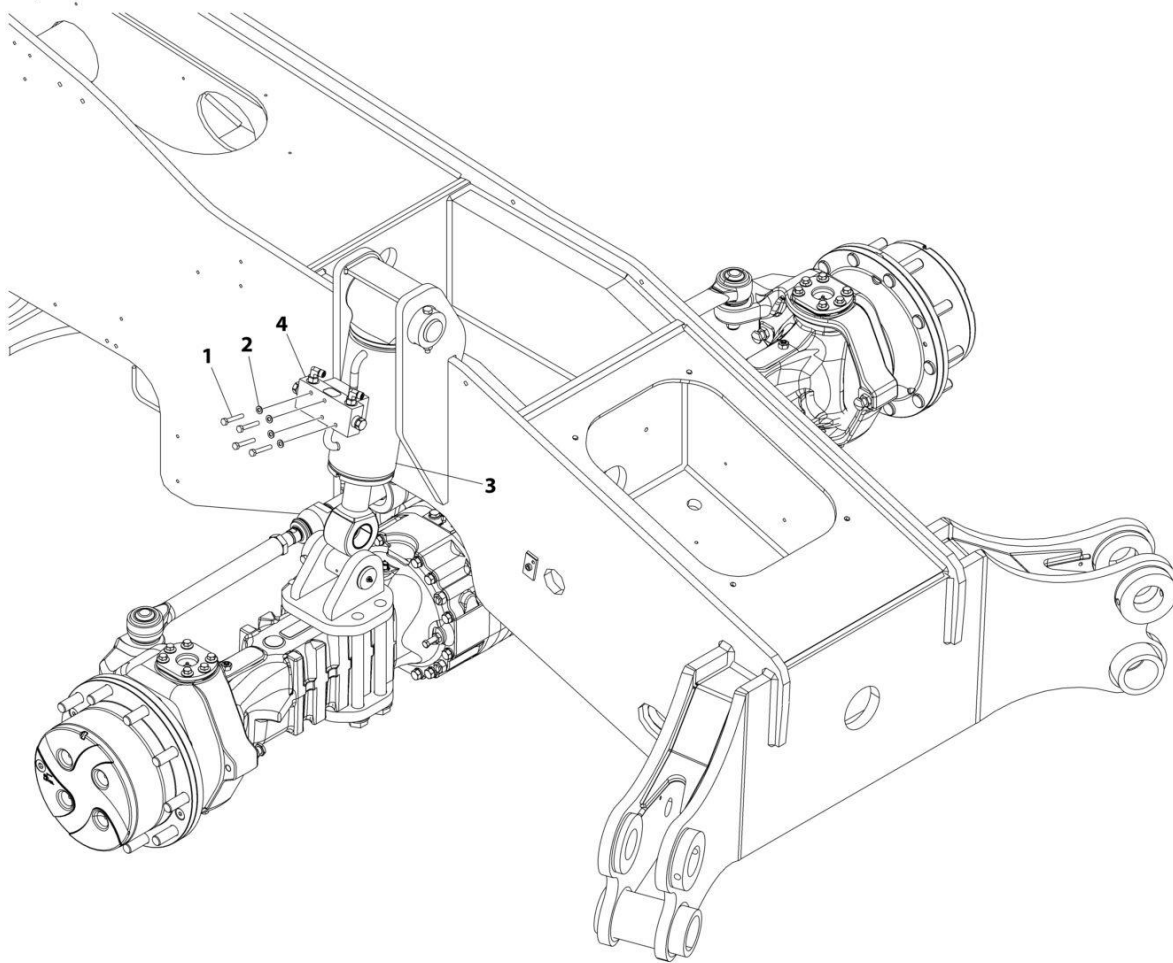
## SECTION 8 - HYDRAULIC CIRCUITS

**FIGURE 8-14. FRAME LEVEL AND OUTRIGGER VALVE INSTALLATION**

ITEM	PART NUMBER	QTY	DESCRIPTION	REV
	1001159760	Ref	Frame Level and Outrigger Valve Installation	C
1	3290601	3	Nut, M6X1	
2	4811700	3	Washer, M6	
3	1001159847	1	Assembly, Frame Level and Outrigger Valve (See Separate Breakdown in this Section)	

# SECTION 8 - HYDRAULIC CIRCUITS

## FIGURE 8-15. FRAME LEVEL CLINDER & VALVE INSTALLATION



ART\_1001162076\_D

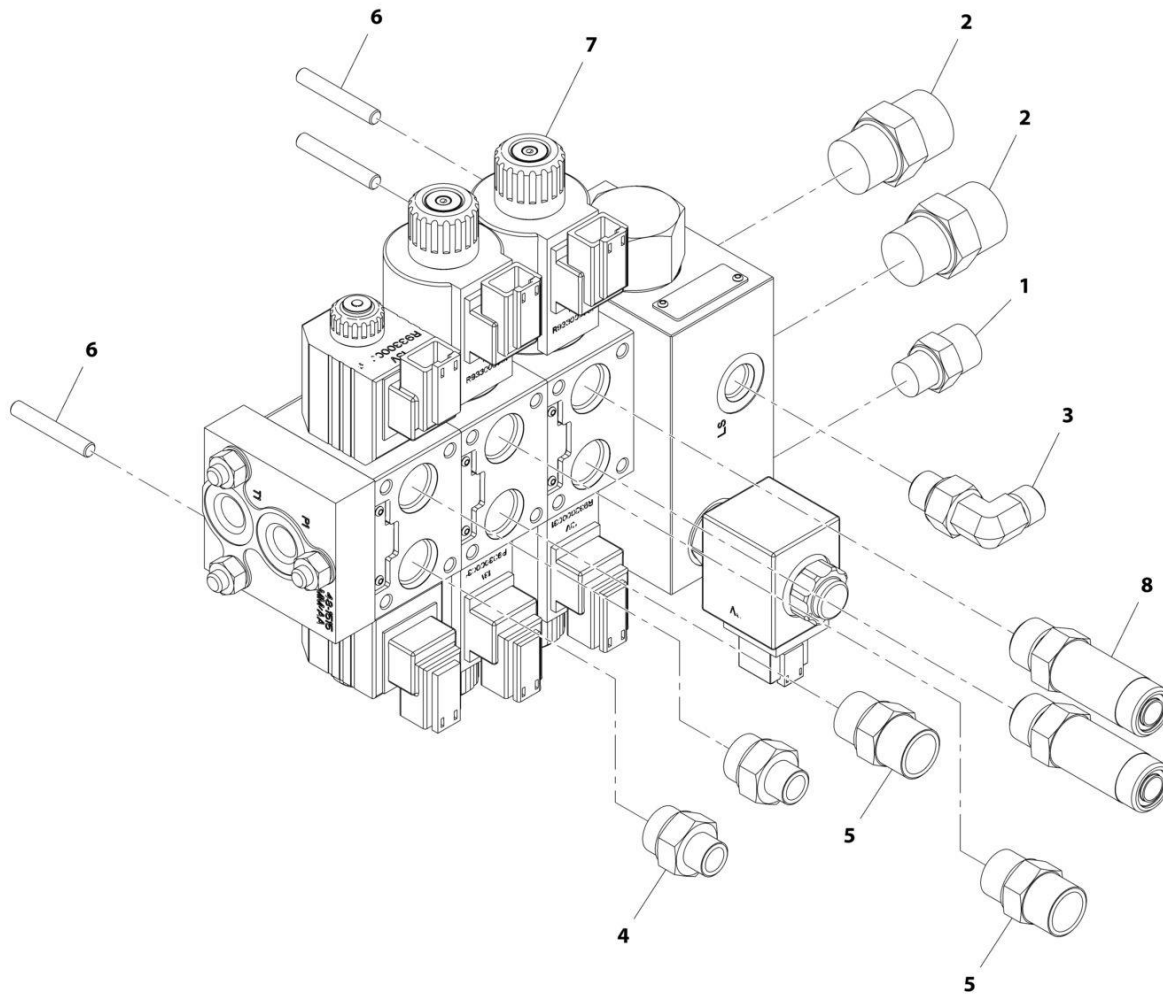
## SECTION 8 - HYDRAULIC CIRCUITS

### FIGURE 8-15. FRAME LEVEL CLINDER & VALVE INSTALLATION

ITEM	PART NUMBER	QTY	DESCRIPTION	REV
	1001162076	Ref	Frame Level Cylinder Installation	D
1	0700818	4	Bolt, M8X50	
2	4811900	4	Washer, M8	
3	1001179369	1	Cylinder, Frame Stability (See Separate Breakdown in this Section)	
4	1001252522	1	Valve, Counterbalance	

# SECTION 8 - HYDRAULIC CIRCUITS

## FIGURE 8-16. FRAME LEVEL AND OUTRIGGER VALVE & FITTINGS ASSEMBLY



ART\_1001159847-E



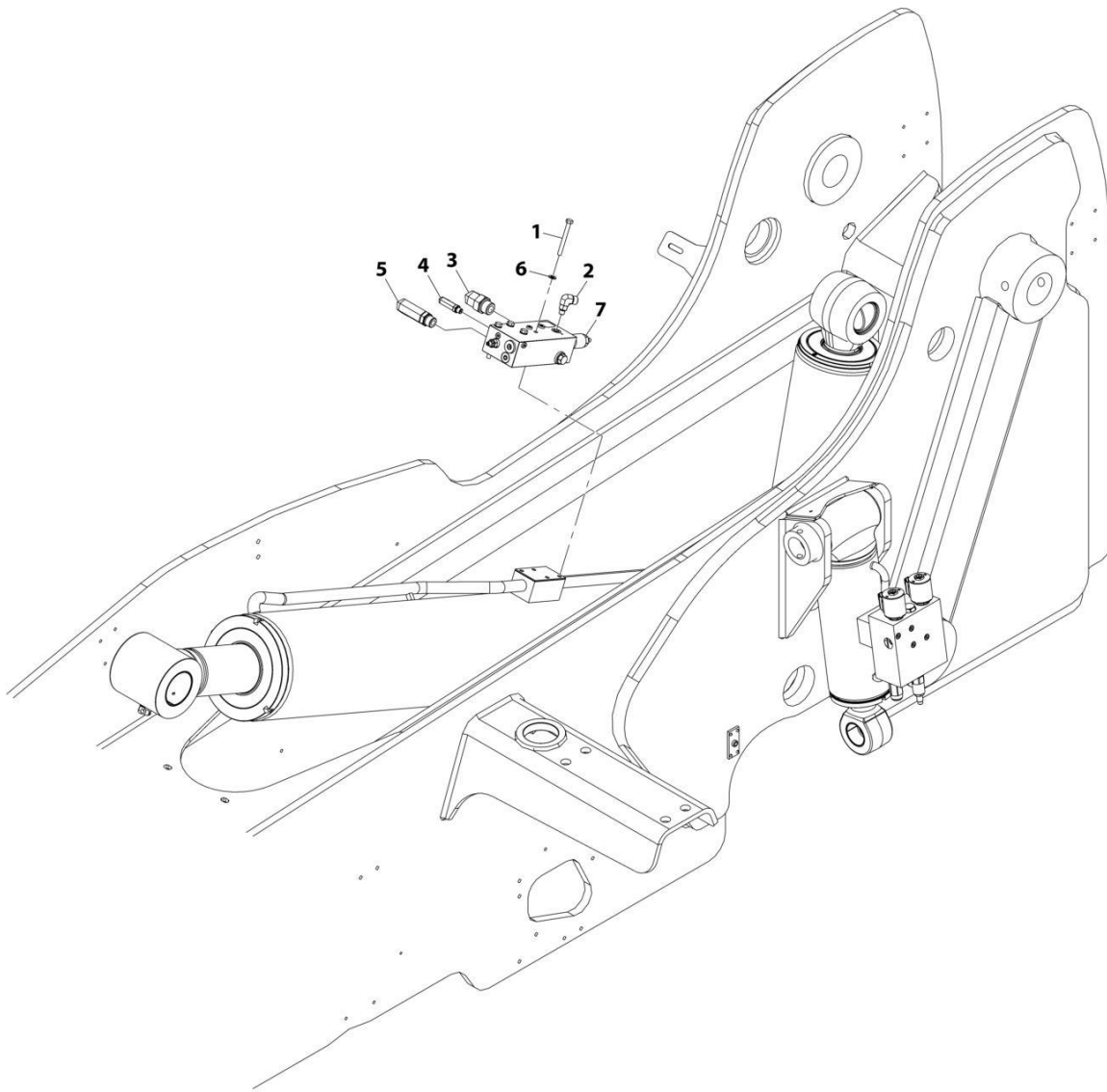
## SECTION 8 - HYDRAULIC CIRCUITS

**FIGURE 8-16. FRAME LEVEL AND OUTRIGGER VALVE & FITTINGS ASSEMBLY**

ITEM	PART NUMBER	QTY	DESCRIPTION	REV
	1001159847	Ref	Frame Level and Outrigger Valve Assembly	E
1	2110606	1	Fitting, Straight	
2	2111010	2	Fitting, Straight ORFS	
3	2130406	1	Fitting, 90 ORFS	
4	2110408	2	Fitting, Straight ORFS	
5	2110808	2	Fitting, Straight ORFS	
6	1001177702	3	Stud, M6X40	
7	1001157972	1	Valve, Frame Level and Outrigger (See Separate Breakdown in HYDRAULIC COMPONENTS Section)	
8	2170108	2	Fitting	

# SECTION 8 - HYDRAULIC CIRCUITS

## FIGURE 8-17. LIFT CYLINDER VALVE INSTALLATION WITHOUT RIDE CONTROL



ART\_1001226362-A

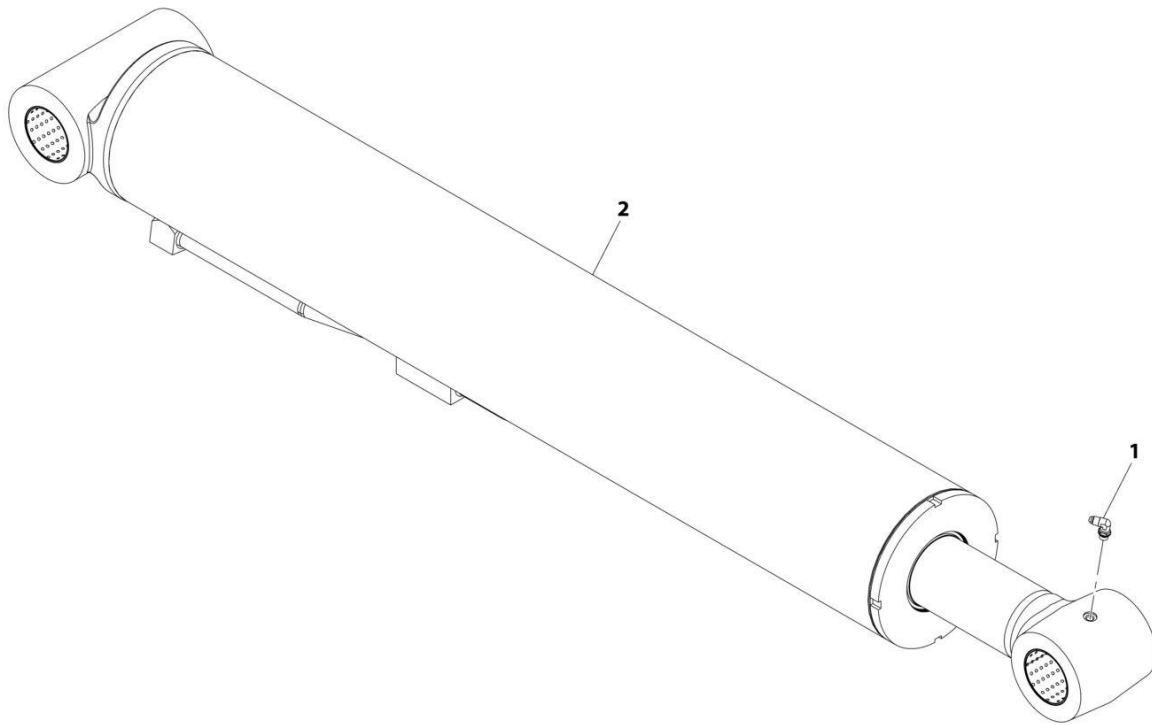
## SECTION 8 - HYDRAULIC CIRCUITS

FIGURE 8-17. LIFT CYLINDER VALVE INSTALLATION WITHOUT RIDE CONTROL

ITEM	PART NUMBER	QTY	DESCRIPTION	REV
	1001226362	Ref	Lift Cylinder Valve Installation, No Ride Control	A
1	0700823	4	Bolt, M8X75	
2	2130604	1	Adapter, 90	
3	2131212	1	Adapter, 90	
4	2170204	1	Fitting, 90	
5	2170210	1	Fitting, 90	
6	4811900	4	Washer, M8	
7	1001226035	1	Valve, Counterbalance	

# SECTION 8 - HYDRAULIC CIRCUITS

FIGURE 8-18. LIFT CYLINDER & FITTING ASSEMBLY - 1055



ART\_1001208766-B

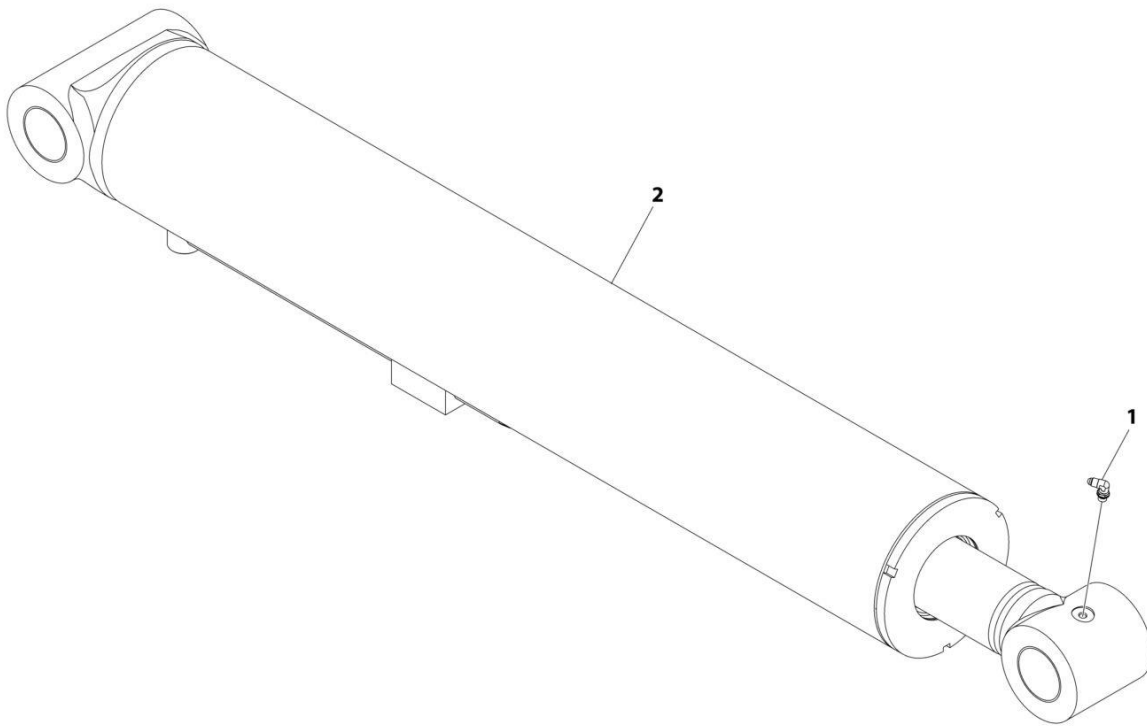
## SECTION 8 - HYDRAULIC CIRCUITS

**FIGURE 8-18. LIFT CYLINDER & FITTING ASSEMBLY - 1055**

ITEM	PART NUMBER	QTY	DESCRIPTION	REV
	1001208766	Ref	Lift Cylinder Installation - 1055	B
1	8770215	1	Fitting, 90 ORFS	
2	1001211607	1	Cylinder, Lift - 1055 (See Separate Breakdown in HYDRAULIC COMPONENTS Section)	

# SECTION 8 - HYDRAULIC CIRCUITS

FIGURE 8-19. LIFT CYLINDER & FITTING ASSEMBLY - 1255



ART\_1001208765

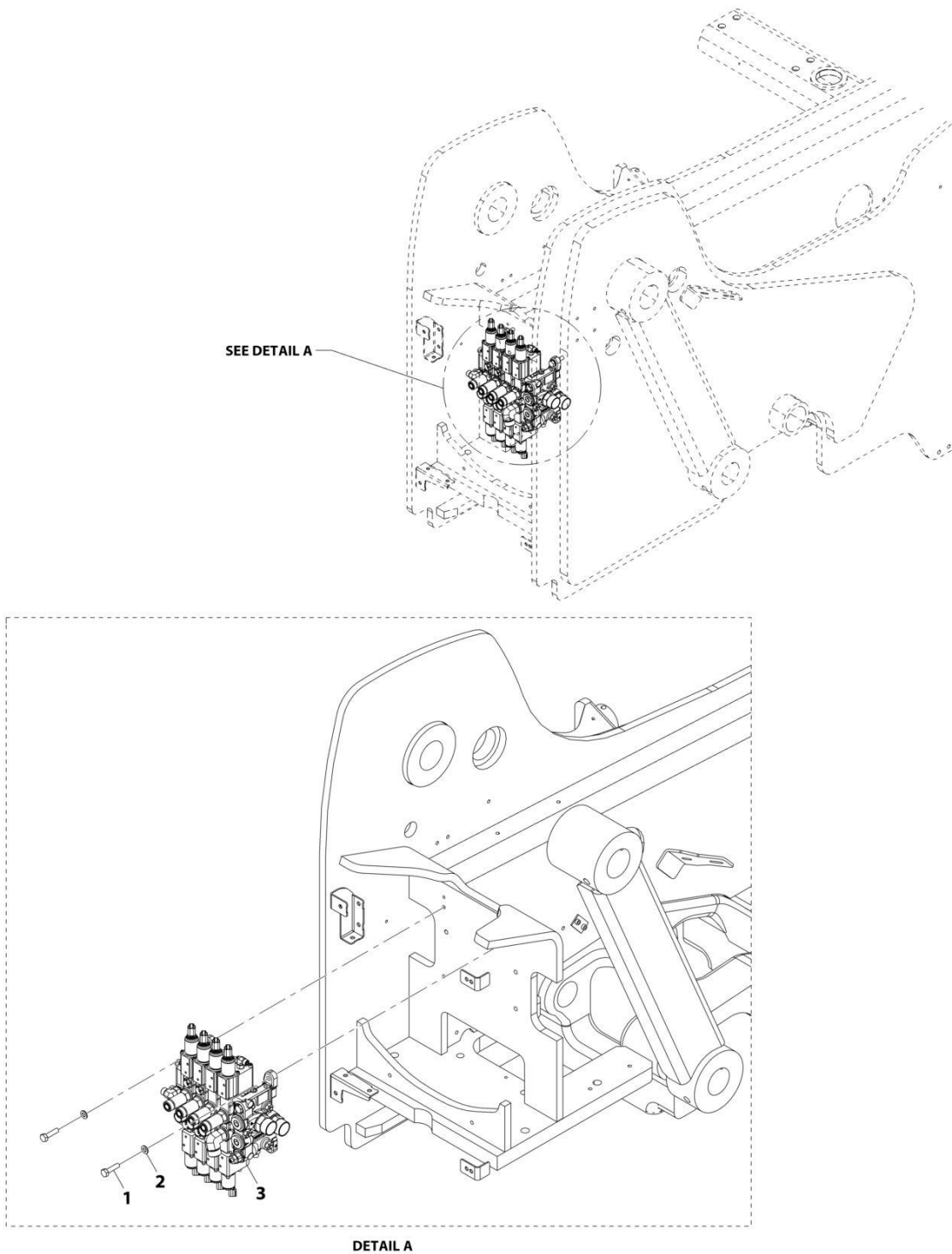
# SECTION 8 - HYDRAULIC CIRCUITS

**FIGURE 8-19. LIFT CYLINDER & FITTING ASSEMBLY - 1255**

ITEM	PART NUMBER	QTY	DESCRIPTION	REV
	1001208765	Ref	LIFT CYLINDER INSTALLATION - 1255	B
1	8770215	1	Fitting, 90 ORFS	
2	1001211608	1	Cylinder, Lift - 1255 (See Separate Breakdown in HYDRAULIC COMPONENTS Section) <b>(Prior to SN 0160110381)</b>	
2	1001267971	1	Cylinder, Lift - 1255 (See Separate Breakdown in HYDRAULIC COMPONENTS Section) <b>(SN 0160110381 to Present)</b>	

# SECTION 8 - HYDRAULIC CIRCUITS

## FIGURE 8-20. MAIN CONTROL VALVE INSTALLATION



ART\_1001225751-A



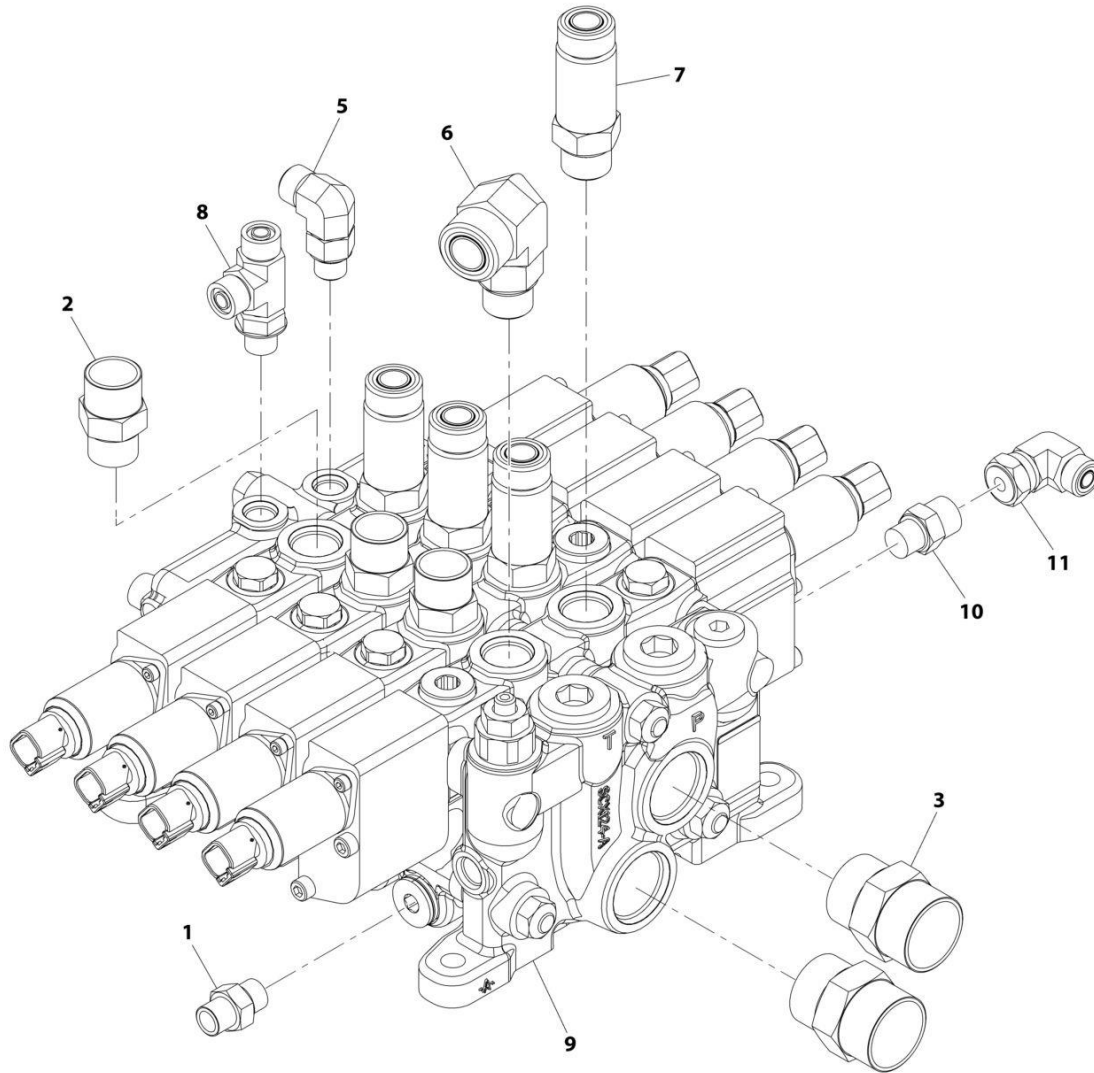
## SECTION 8 - HYDRAULIC CIRCUITS

### FIGURE 8-20. MAIN CONTROL VALVE INSTALLATION

ITEM	PART NUMBER	QTY	DESCRIPTION	REV
	1001225751	Ref	Main Control Valve Installation	A
1	0701016	3	Bolt, M10X40	
2	4812000	3	Washer, M10	
3	1001225752	1	Assembly, Main Control Valve Assembly (See Separate Breakdown in this Section)	

# SECTION 8 - HYDRAULIC CIRCUITS

## FIGURE 8-21. MAIN CONTROL VALVE & FITTINGS ASSEMBLY



ART\_1001225752-D

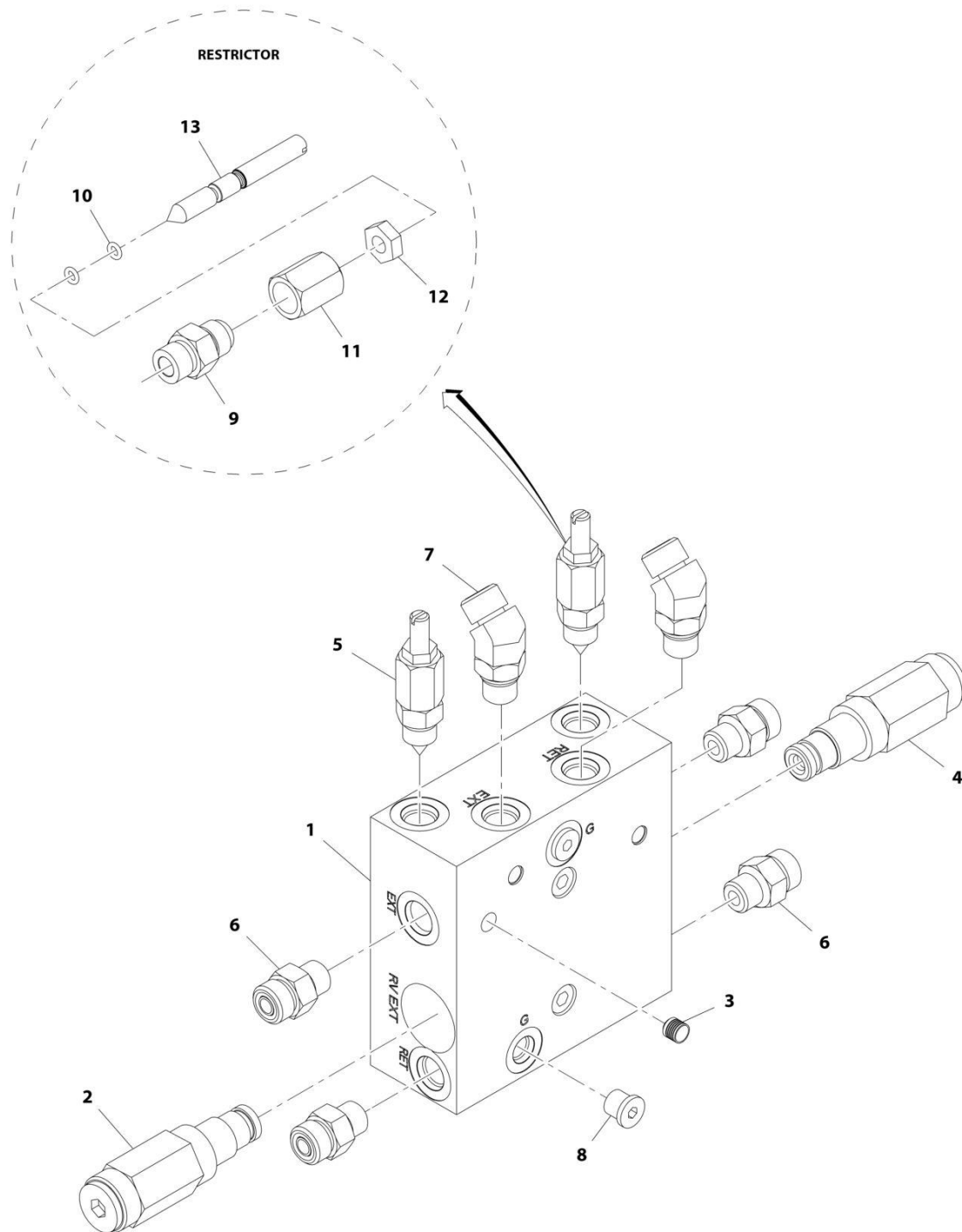
## SECTION 8 - HYDRAULIC CIRCUITS

**FIGURE 8-21. MAIN CONTROL VALVE & FITTINGS ASSEMBLY**

ITEM	PART NUMBER	QTY	DESCRIPTION	REV
	1001225752	Ref	Main Control Valve Assembly	D
1	2110406	1	Fitting, Straight ORFS	
2	2111010	3	Fitting, Straight ORFS	
3	2111616	2	Fitting, Straight ORFS	
5	2130606	1	Fitting, 90 ORFS	
6	2131210	1	Fitting, 90 ORFS	
7	2170110	4	Fitting, Straight ORFS	
8	2170306	1	Fitting, Tee ORFS	
9	1001241879	Ref	Valve, Main Control (See Separate Breakdown in HYDRAULIC COMPONENTS Section)	
10	2110606	1	Fitting, Straight ORFS	
11	2172106	1	Adapter, 90	

# SECTION 8 - HYDRAULIC CIRCUITS

## FIGURE 8-22. PIPE HANDLER VALVE & FITTINGS ASSEMBLY



ART\_70026589

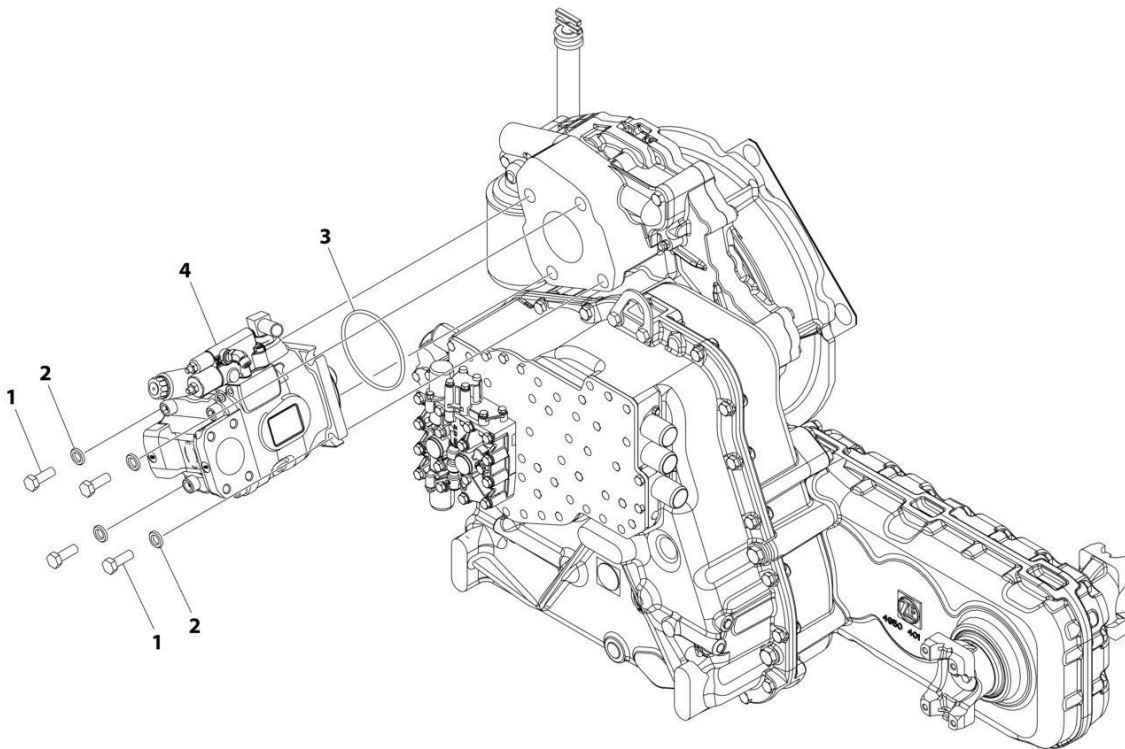
## SECTION 8 - HYDRAULIC CIRCUITS

**FIGURE 8-22. PIPE HANDLER VALVE & FITTINGS ASSEMBLY**

ITEM	PART NUMBER	QTY	DESCRIPTION	REV
	70026589	Ref	Valve Assembly	
1	70026612	NLA	Manifold (Purchase Complete Assembly)	
2	70026613	1	Cartridge	
3	70026614	4	Plug	
4	70026478	1	Cartridge	
5	70026615	2	Restrictor	
6	70024130	4	Fitting	
7	70026616	2	Fitting	
8	70024129	2	Plug	
9	70026617	1	Fitting	
10	70026618	2	O-Ring	
11	70026619	1	Cap	
12	70026620	1	Jam Nut	
13	70026621	1	Plunger	

# SECTION 8 - HYDRAULIC CIRCUITS

## FIGURE 8-23. PISTON PUMP INSTALLATION



ART\_1001162670\_D

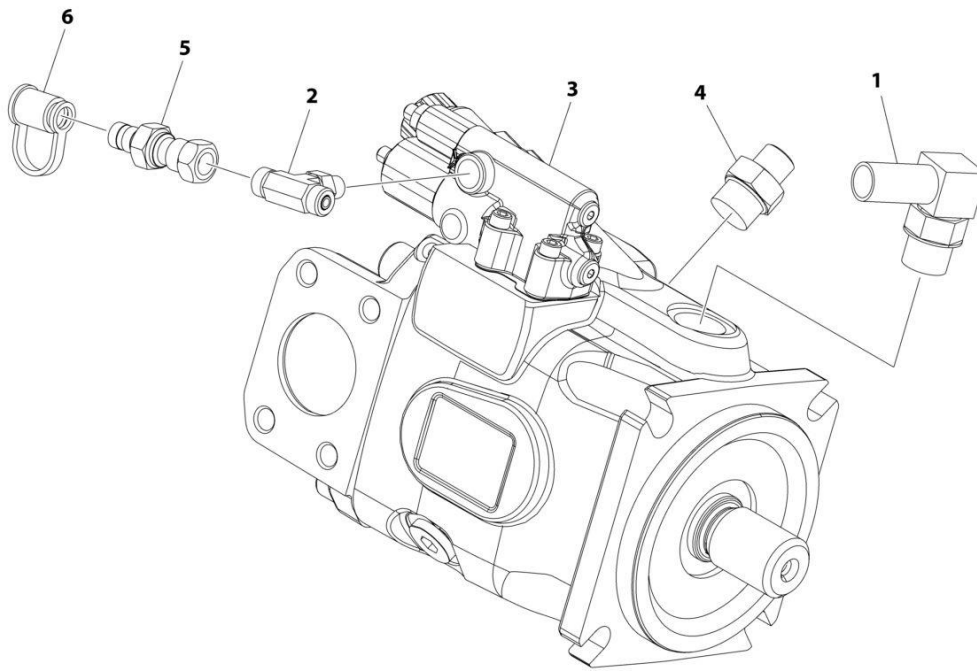
## SECTION 8 - HYDRAULIC CIRCUITS

### FIGURE 8-23. PISTON PUMP INSTALLATION

ITEM	PART NUMBER	QTY	DESCRIPTION	REV
	1001162670	Ref	Piston Pump Installation	D
1	0761215	4	Bolt, M12X35	
2	4740532	4	Washer	
3	80933113	1	O-Ring	
4	1001162674	1	Assembly, Piston Pump (See Separate Breakdown in this Section)	

# SECTION 8 - HYDRAULIC CIRCUITS

## FIGURE 8-24. PISTON PUMP & FITTINGS ASSEMBLY



ART\_1001162674\_E



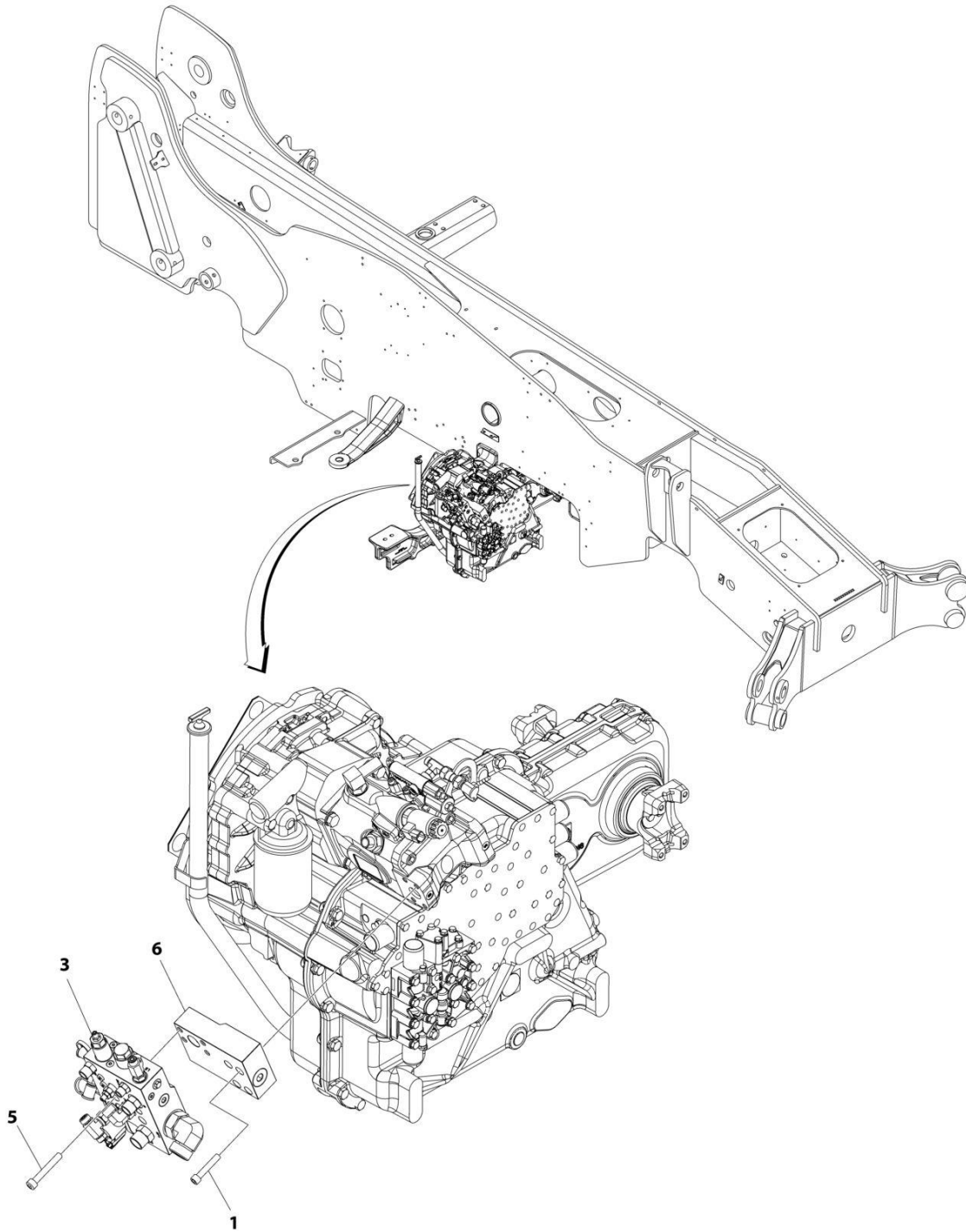
## SECTION 8 - HYDRAULIC CIRCUITS

### FIGURE 8-24. PISTON PUMP & FITTINGS ASSEMBLY

ITEM	PART NUMBER	QTY	DESCRIPTION	REV
	1001162674	Ref	PISTON PUMP ASSEMBLY	E
1	8424217	1	Fitting, 90	
2	2170404	1	Fitting, Tee ORFS/ORB/ORFS	
3	1001182279	1	Piston Pump (See Separate Breakdown in HYDRAULIC COMPONENTS Section)	
4	2110610	1	Fitting, Straight ORFS/ORB	
5	2221229	1	Fitting, Straight ORFS	
6	8430032	1	Plug	

# SECTION 8 - HYDRAULIC CIRCUITS

## FIGURE 8-25. PRIORITY FUNCTION MANIFOLD INSTALLATION



ART\_1001161308\_D

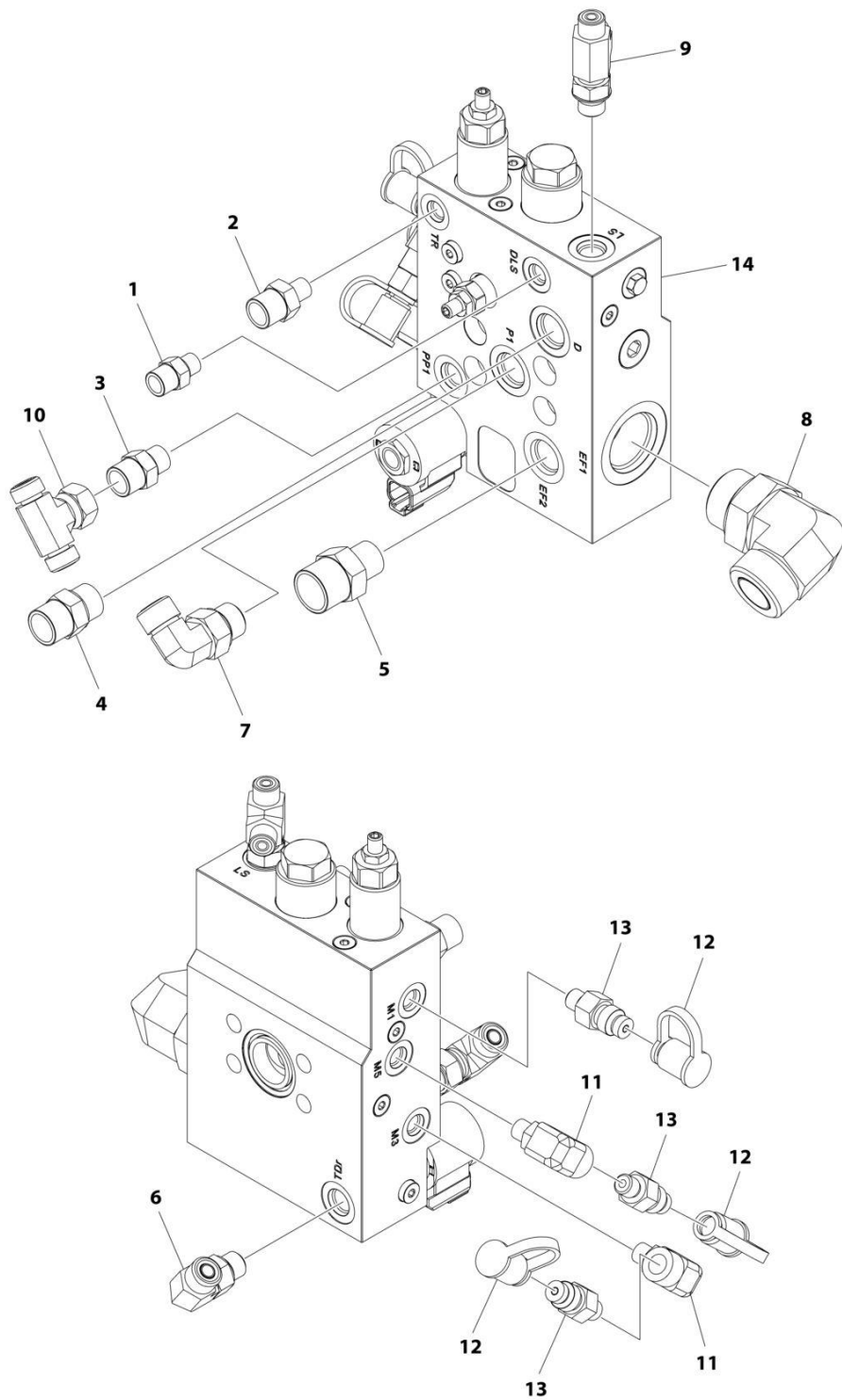
## SECTION 8 - HYDRAULIC CIRCUITS

**FIGURE 8-25. PRIORITY FUNCTION MANIFOLD INSTALLATION**

ITEM	PART NUMBER	QTY	DESCRIPTION	REV
	1001161308	Ref	Priority Function Manifold Installation	D
1	3931632	4	Bolt 3/8X2	
3	1001253252	1	Assembly, Priority Manifold Valve (See Separate Breakdown in this Section)	
5	4032017	4	Bolt M10X65	
6	1001252571	1	Valve, Spacer	

# SECTION 8 - HYDRAULIC CIRCUITS

## FIGURE 8-26. PRIORITY FUNCTION MANIFOLD & FITTINGS ASSEMBLY



ART\_1001253252

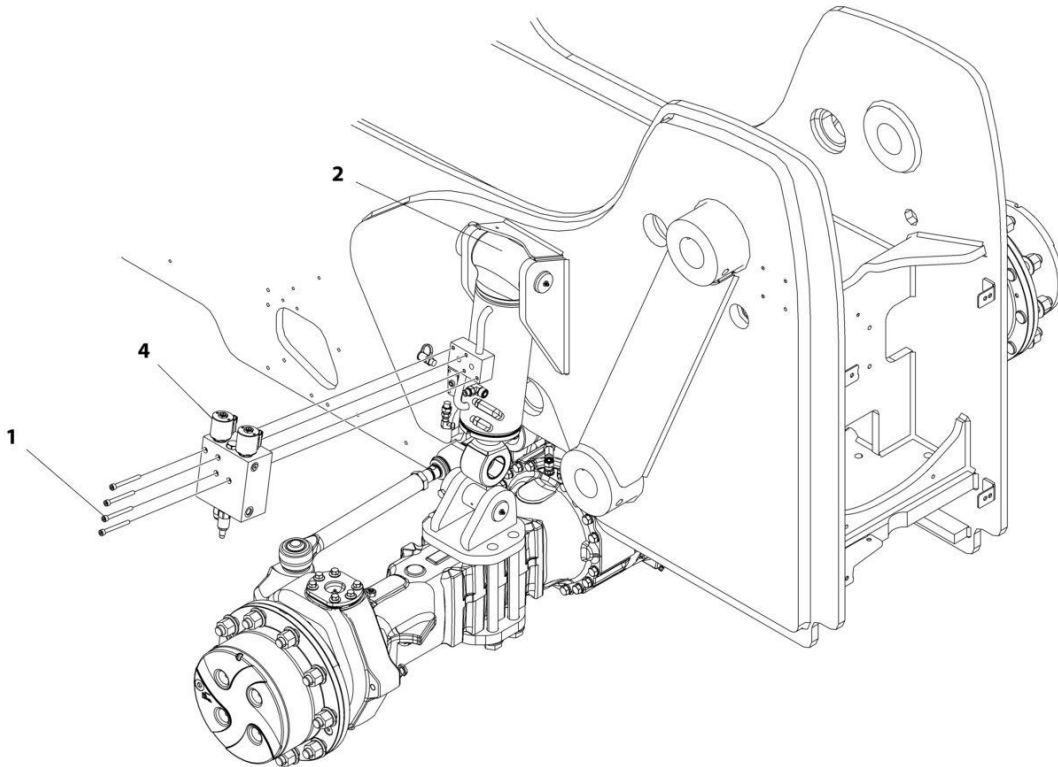
## SECTION 8 - HYDRAULIC CIRCUITS

**FIGURE 8-26. PRIORITY FUNCTION MANIFOLD & FITTINGS ASSEMBLY**

ITEM	PART NUMBER	QTY	DESCRIPTION	REV
	1001253252	Ref	Priority Function Manifold Valve Assembly	B
1	2110406	1	Fitting, Straight ORFS	
2	2110604	1	Fitting, Straight ORFS	
3	2110606	1	Fitting, Straight ORFS	
4	2110808	1	Fitting, Straight ORFS	
5	2111008	1	Fitting, Straight ORFS	
6	2130606	1	Fitting, 90 ORFS	
7	2130808	1	Fitting, 90 ORFS	
8	2131616	1	Fitting, 90 ORFS	
9	2170350	1	Fitting, Tee ORFS/ORB/ORFS	
10	2170806	1	Fitting, Tee ORFS	
11	2221116	2	Fitting, 90 ORB	
12	8430032	3	Plug	
13	8430033	3	Fitting, Straight	
14	1001252567	1	Valve, Priority Manifold (See Separate Breakdown in HYDRAULIC COMPONENTS Section)	

# SECTION 8 - HYDRAULIC CIRCUITS

## FIGURE 8-27. REAR STABILIZER CYLINDER & VALVE INSTALLATION



ART\_1001164036\_E

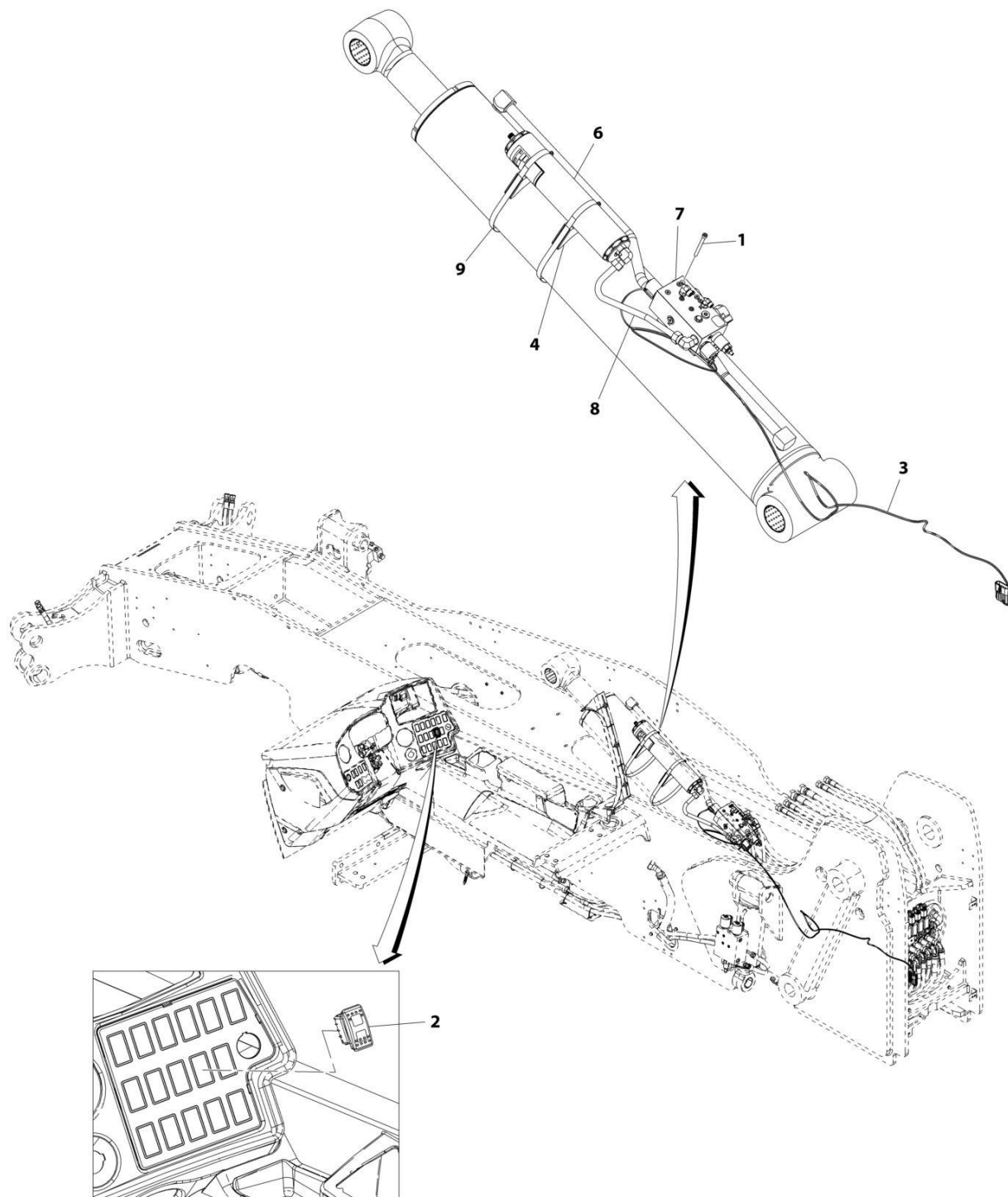
## SECTION 8 - HYDRAULIC CIRCUITS

**FIGURE 8-27. REAR STABILIZER CYLINDER & VALVE INSTALLATION**

ITEM	PART NUMBER	QTY	DESCRIPTION	REV
	1001164036	Ref	Rear Axle Stabilizer Cylinder Installation	E
1	4031920	4	Screw, M8X1.25	
2	1001158620	1	Cylinder, Frame Stability (See Separate Breakdown in HYDRAULC COMPONENTS Section)	
4	1001197600	Ref	Valve (See Separate Breakdown in HYDRAULIC COMPONENTS Section)	

# SECTION 8 - HYDRAULIC CIRCUITS

## FIGURE 8-28. RIDE CONTROL INSTALLATION - 1055



ART\_1001226364-C



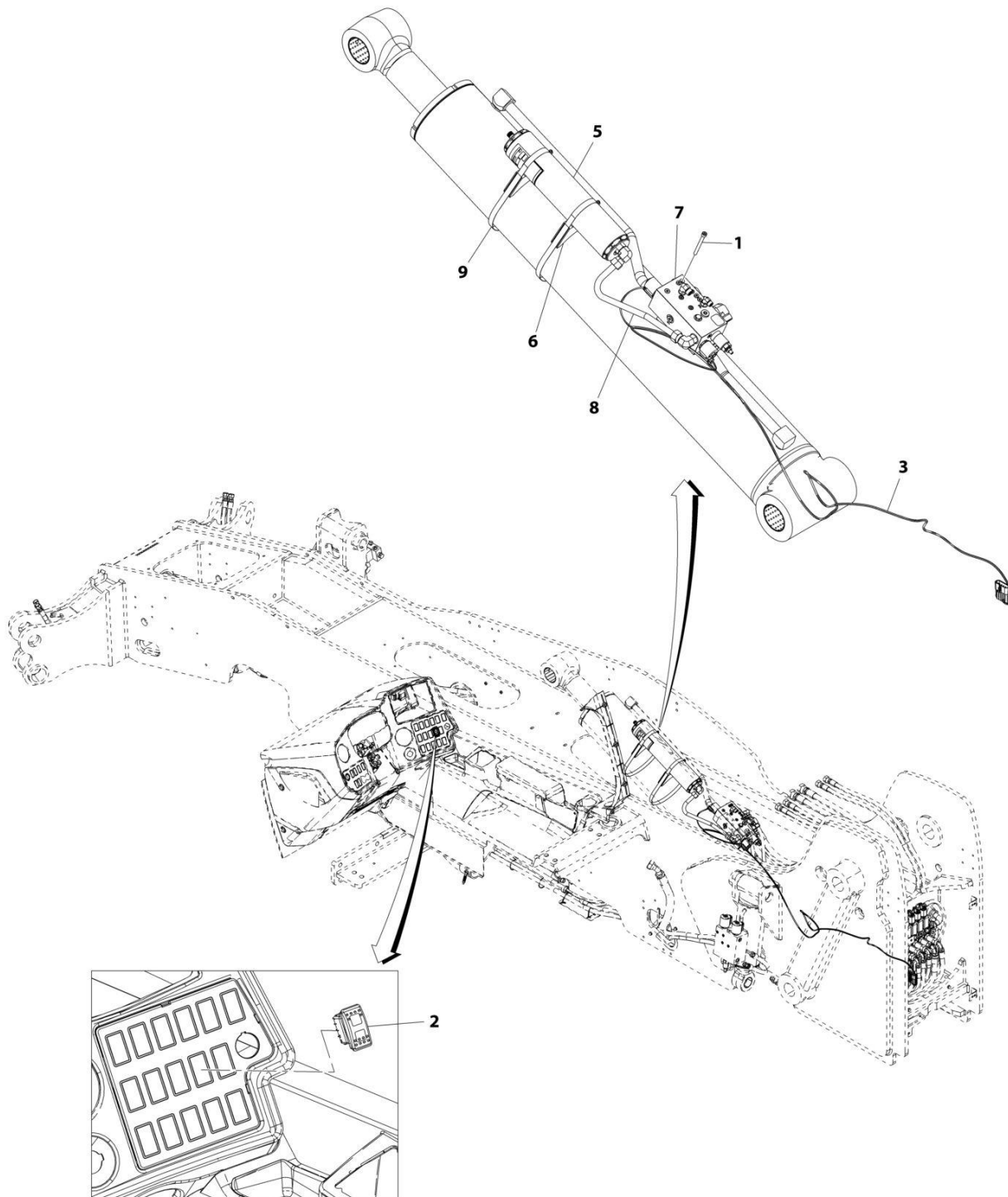
## SECTION 8 - HYDRAULIC CIRCUITS

FIGURE 8-28. RIDE CONTROL INSTALLATION - 1055

ITEM	PART NUMBER	QTY	DESCRIPTION	REV
	1001226364	Ref	Ride Control Installation - 1055	C
1	4031921	4	Bolt, M8X85	
2	1001159745	1	Switch, Boom Ride	
3	1001169613	1	Installation, Wiring Ride Control (See Separate Breakdown in ELECTRICAL Section)	
4	1001169680	2	Bumper, Cylinder Saddle	
6	1001192435	1	Cylinder	
7	1001227056	1	Valve, Counterbalance (Lift - Ride Control) (See Separate Breakdown in HYDRAULIC COMPONENTS Section)	
8	1001228861	1	Installation, Lines, Ride Control (See Separate Breakdown in this Section)	
9	1001170287	2	Clamp, Hose	

# SECTION 8 - HYDRAULIC CIRCUITS

## FIGURE 8-29. RIDE CONTROL INSTALLATION - 1255



ART\_1001226363-C

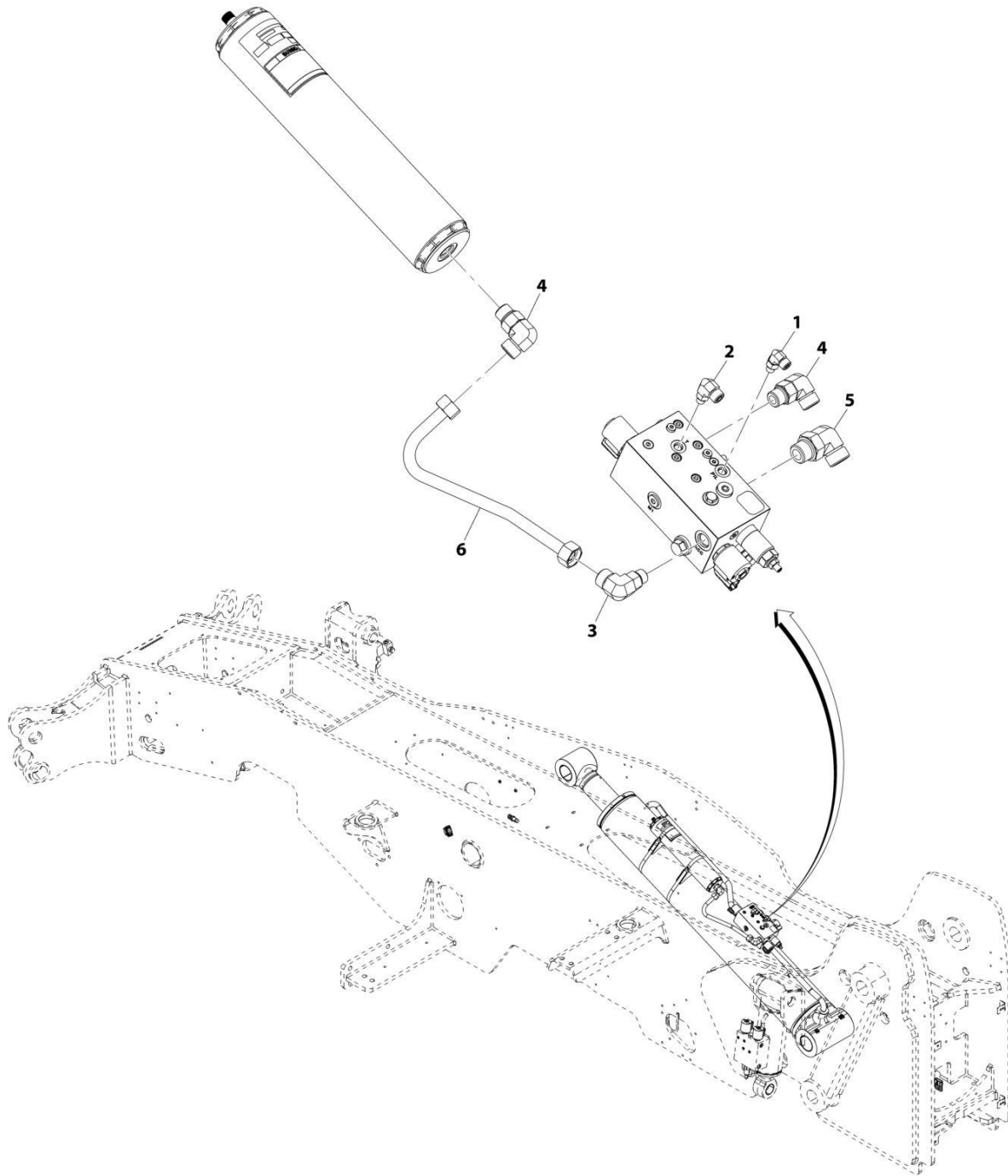
## SECTION 8 - HYDRAULIC CIRCUITS

**FIGURE 8-29. RIDE CONTROL INSTALLATION - 1255**

ITEM	PART NUMBER	QTY	DESCRIPTION	REV
	1001226363	Ref	Ride Control Installation - 1255	C
1	4031921	4	Bolt, M8X85	
2	1001159745	1	Switch, Boom Ride	
3	1001169613	1	Installation, Wiring Ride Control (See Separate Breakdown in ELECTRICAL Section)	
5	1001192435	1	Cylinder	
6	1001193775	2	Bumper	
7	1001227056	1	Valve, Counterbalance (Lift - Ride Control) (See Separate Breakdown in HYDRAULIC COMPONENTS Section)	
8	1001228861	1	Installation, Lines, Ride Control (See Separate Breakdown in this Section)	
9	1001170287	2	Clamp, Hose	

# SECTION 8 - HYDRAULIC CIRCUITS

## FIGURE 8-30. RIDE CONTROL HYDRAULIC LINES



ART\_1001228861-A

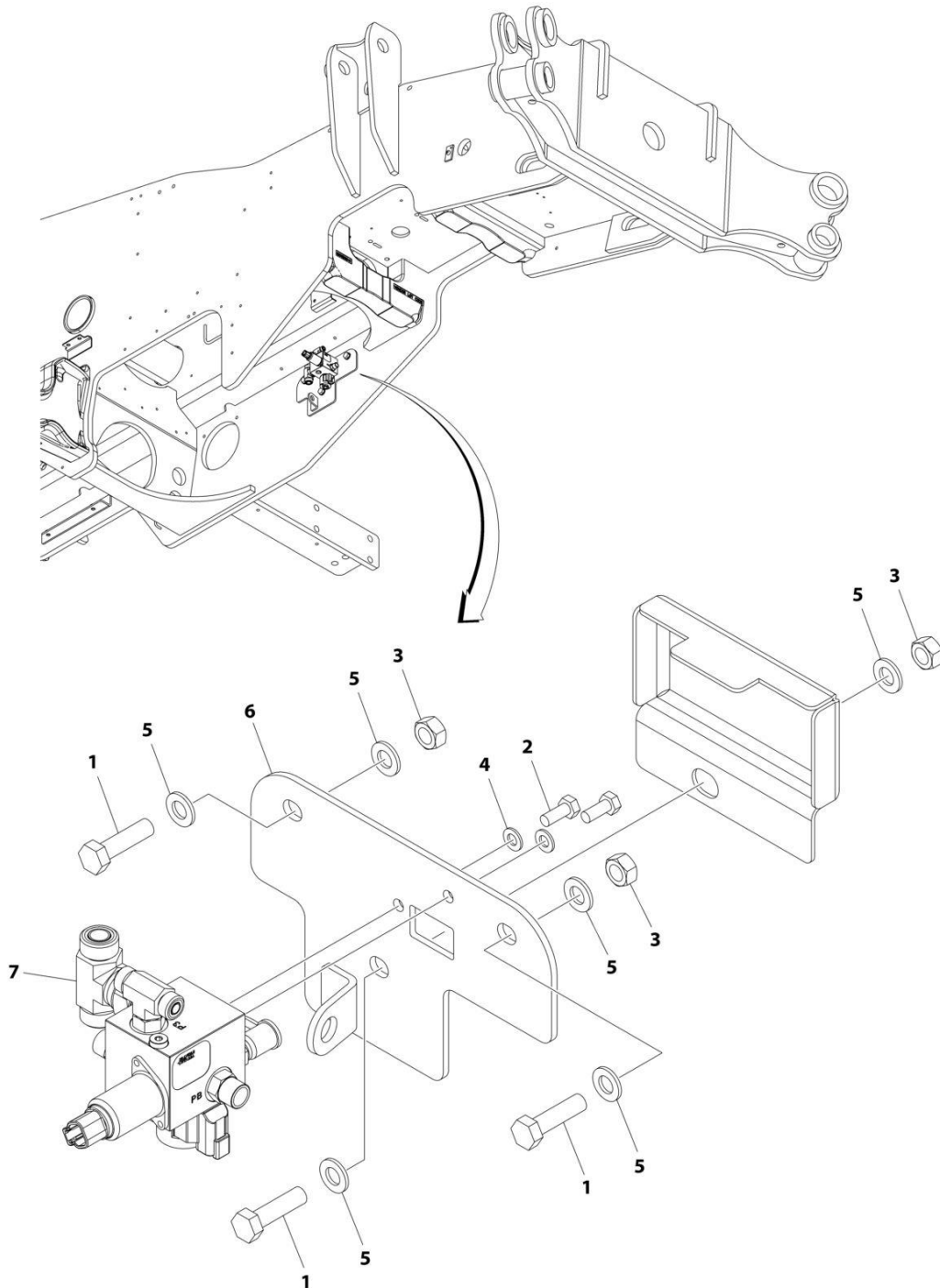
## SECTION 8 - HYDRAULIC CIRCUITS

### FIGURE 8-30. RIDE CONTROL HYDRAULIC LINES

ITEM	PART NUMBER	QTY	DESCRIPTION	REV
	1001228861	Ref	Ride Control Hydraulic Lines	A
1	2130404	1	Fitting, 90 ORFS	
2	2130604	1	Fitting, 90 ORFS	
3	2131008	1	Adapter	
4	2131010	2	Adapter	
5	2131212	1	Adapter	
6	1001226398	1	Pipe	

# SECTION 8 - HYDRAULIC CIRCUITS

## FIGURE 8-31. SAHR BRAKE VALVE INSTALLATION



ART\_1001253371

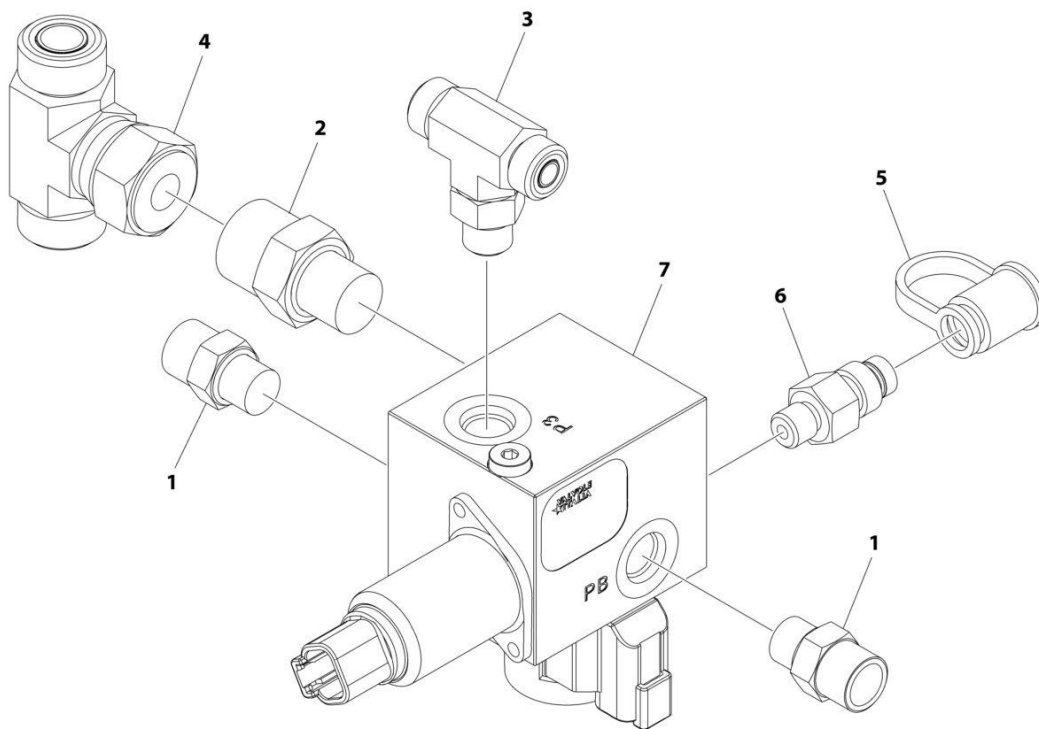
## SECTION 8 - HYDRAULIC CIRCUITS

### FIGURE 8-31. SAHR BRAKE VALVE INSTALLATION

ITEM	PART NUMBER	QTY	DESCRIPTION	REV
	1001253371	Ref	Valve Installation - Sahr Brake	A
1	0701217	3	Bolt, M12X45	
2	0760810	2	Bolt M8X20	
3	3291201	3	Nut M12	
4	4811900	2	Washer M8	
5	4812100	6	Washer M12	
6	1001234277	1	Plate, Mounting	
7	1001253253	1	Valve, Sahr Brake (See Separate Breakdown in this Section)	

# SECTION 8 - HYDRAULIC CIRCUITS

## FIGURE 8-32. SAHR BRAKE VALVE & FITTINGS ASSEMBLY



ART\_1001253253



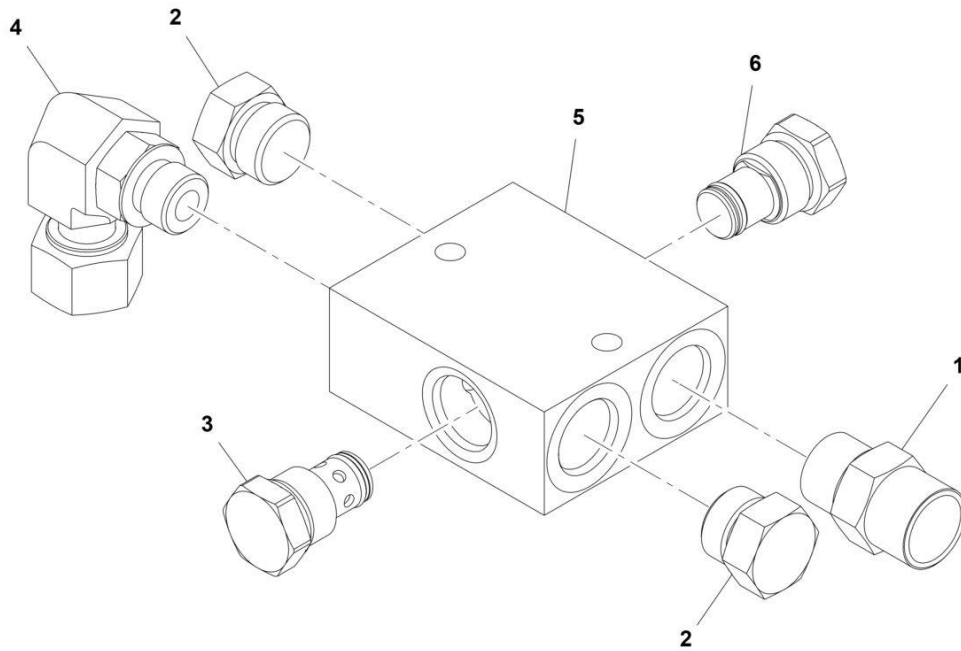
## SECTION 8 - HYDRAULIC CIRCUITS

FIGURE 8-32. SAHR BRAKE VALVE & FITTINGS ASSEMBLY

ITEM	PART NUMBER	QTY	DESCRIPTION	REV
	1001253253	Ref	Valve Assembly - Sahr Brake	B
1	2110606	2	Fitting, Straight ORFS/ORB	
2	2111008	1	Fitting, Straight ORFS/ORB	
3	2170406	1	Fitting, Tee ORFS/ORB/ORFS	
4	2170810	1	Fitting, Tee ORFS/FSORFS/ORFS	
5	8430032	1	Plug	
6	8430033	1	Fitting, Straight ORB	
7	1001234127	1	Valve, Sahr Brake (See Separate Breakdown in HYDRAULIC COMPONENTS Section)	

# SECTION 8 - HYDRAULIC CIRCUITS

FIGURE 8-33. STEER COLUMN CHECK VALE & FITTINGS ASSEMBLY



ART\_1001210803-B

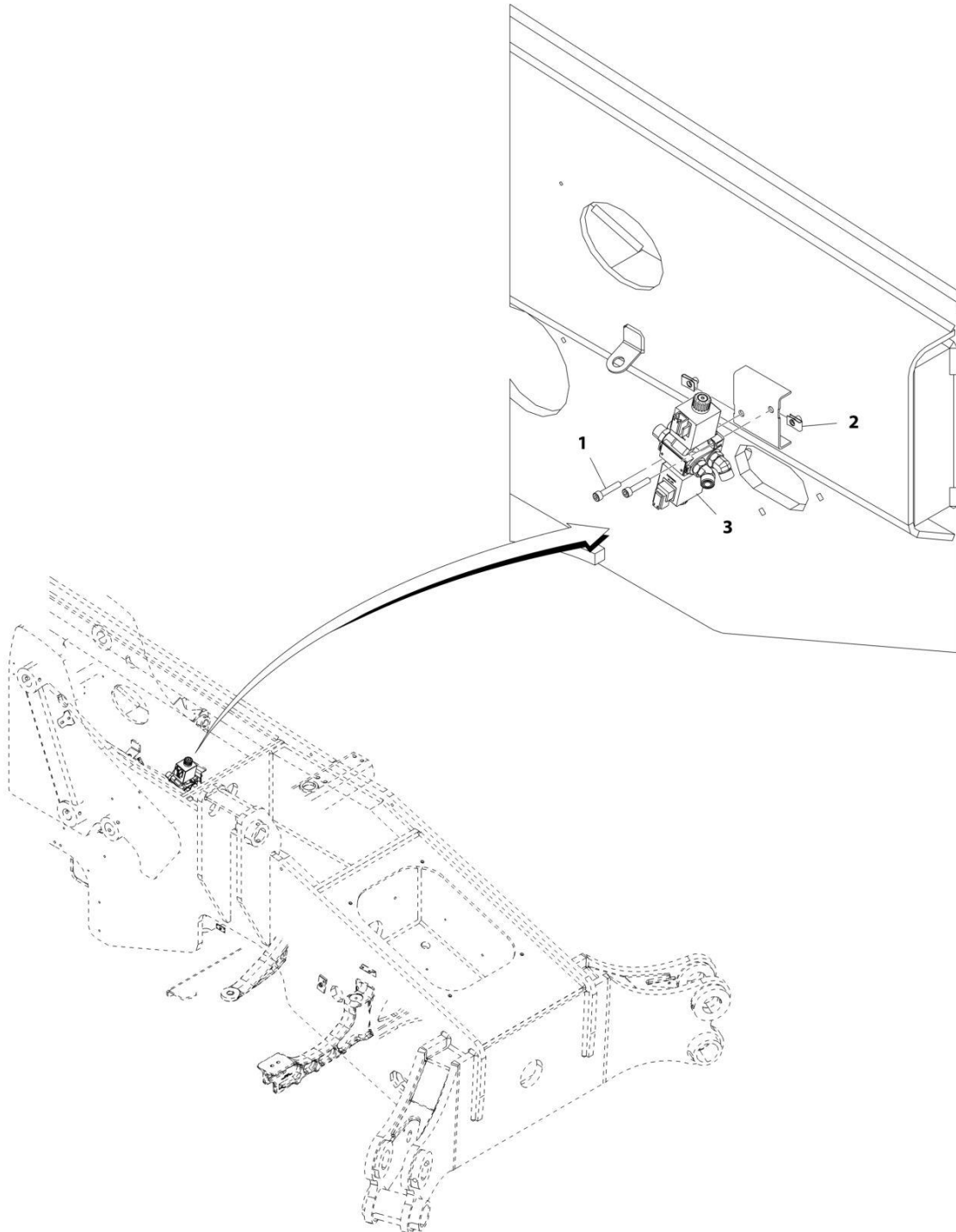
## SECTION 8 - HYDRAULIC CIRCUITS

**FIGURE 8-33. STEER COLUMN CHECK VALE & FITTINGS ASSEMBLY**

ITEM	PART NUMBER	QTY	DESCRIPTION	REV
	1001210803	Ref	Check Valve Assembly	B
1	2111010	1	Fitting, Straight	
2	2220239	2	Plug	
3	4641192	1	Valve, Check	
4	1001096679	1	Fitting, 90	
5	1001210780	1	Manifold, Dual Check	
6	1001210801	1	Valve, Check	

# SECTION 8 - HYDRAULIC CIRCUITS

## FIGURE 8-34. STEER SELECT VALVE INSTALLATION



ART\_1001161306-C

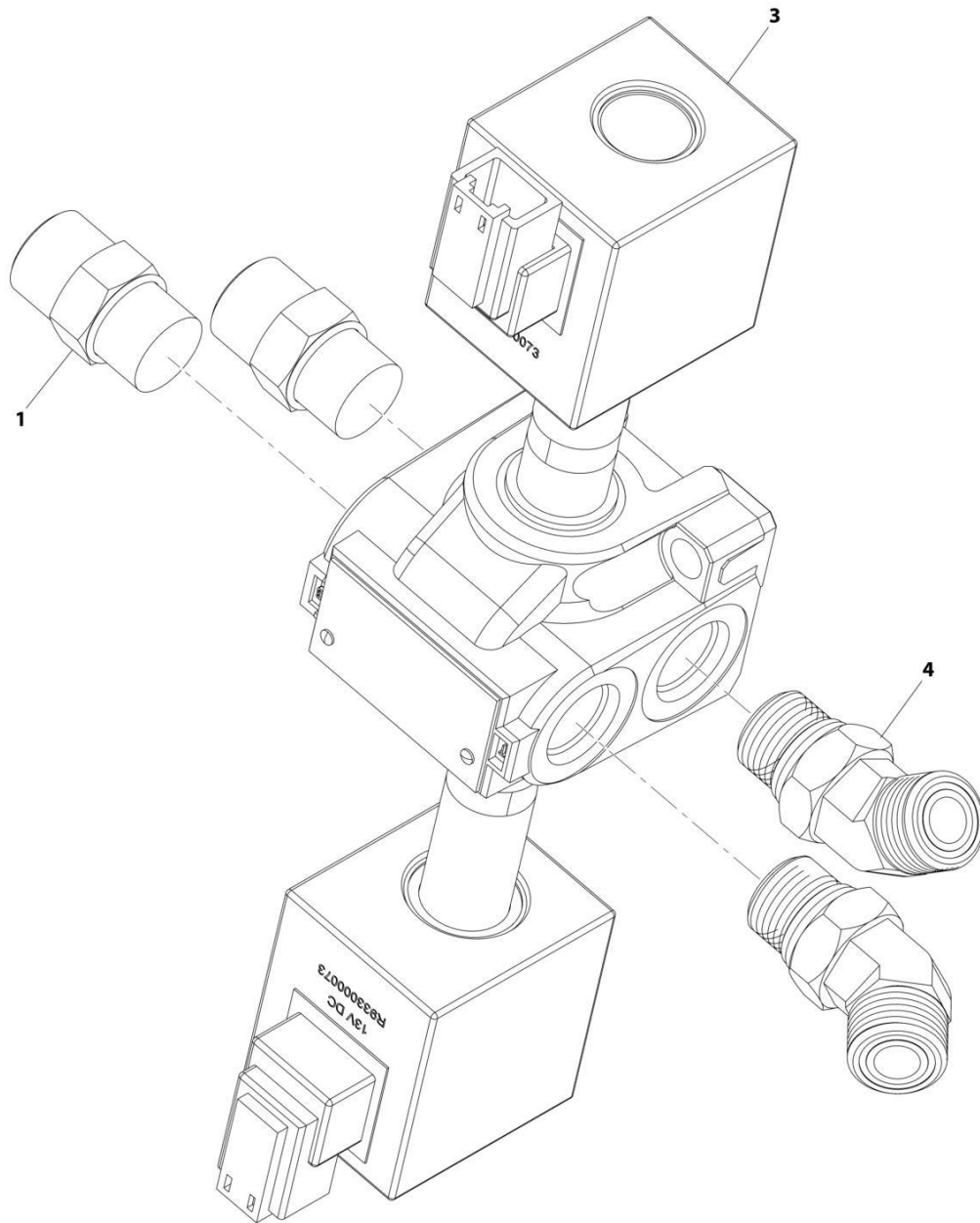
## SECTION 8 - HYDRAULIC CIRCUITS

### FIGURE 8-34. STEER SELECT VALVE INSTALLATION

ITEM	PART NUMBER	QTY	DESCRIPTION	REV
	1001161306	Ref	Steer Select Valve Installation	C
1	4031912	2	Bolt, M8X40	
2	8310686	2	Nut, M8X12.5	
3	1001161304	1	Assembly, Steer Select Valve (See Separate Breakdown in this Section)	

# SECTION 8 - HYDRAULIC CIRCUITS

## FIGURE 8-35. STEER SELECT VALVE & FITTINGS ASSEMBLY



ART\_1001161304-B

## SECTION 8 - HYDRAULIC CIRCUITS

FIGURE 8-35. STEER SELECT VALVE & FITTINGS ASSEMBLY

ITEM	PART NUMBER	QTY	DESCRIPTION	REV
	1001161304	Ref	Steering Select Valve Assembly	B
1	2110808	2	Fitting, Straight ORFS	
3	1001153748	1	Assembly, Valve (See Separate Breakdown in HYDRAULIC COMPONENTS Section)	
4	2150808	2	Fitting, 45 ORFS	

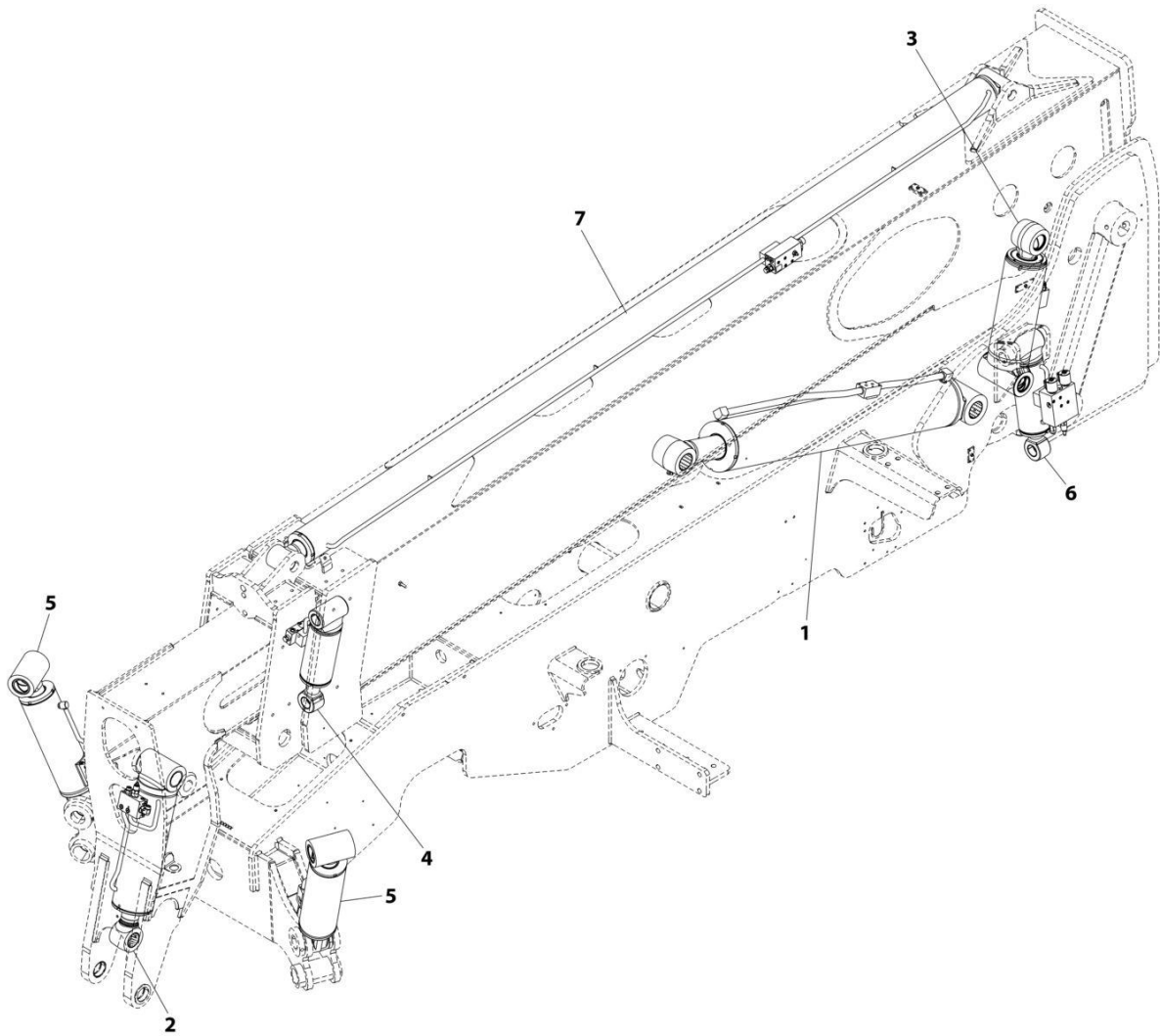




**SECTION 9 - HYDRAULIC COMPONENTS**

# SECTION 9 - HYDRAULIC COMPONENTS

## FIGURE 9-1. CYLINDER GROUP INSTALLATION(1055)



ART\_1001160721-H

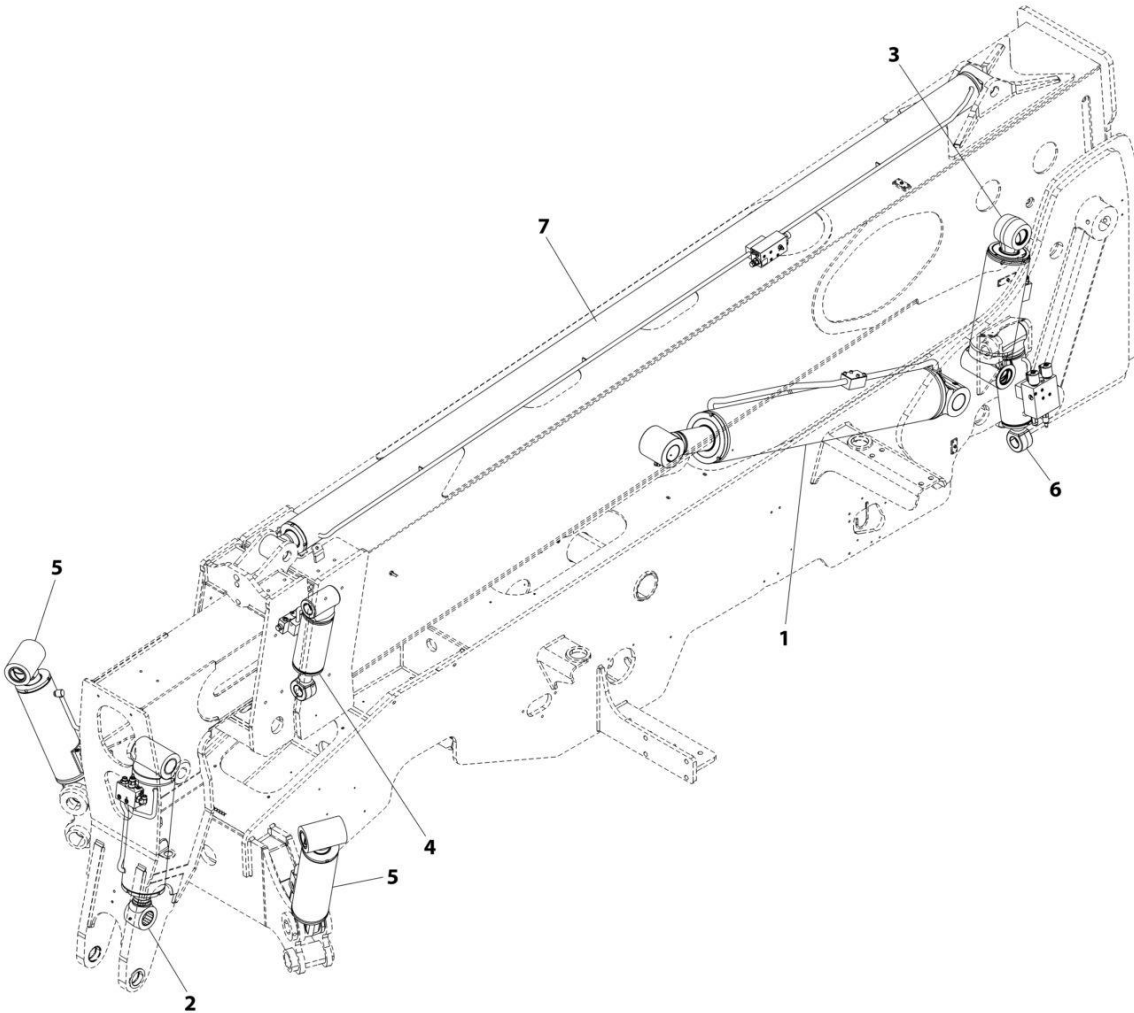
## SECTION 9 - HYDRAULIC COMPONENTS

**FIGURE 9-1. CYLINDER GROUP INSTALLATION (1055)**

ITEM	PART NUMBER	QTY	DESCRIPTION	REV
	1001160721	Ref	Cylinder Group Installation - 1055	H
1	1001208766	Ref	Installation, Lift Cylinder (See Separate Breakdown in HYDRAULIC CIRCUITS Section)	
2	1001196455	Ref	Cylinder, Tilt - 1055 (See Separate Breakdown in this Section)	
3	1001184452	Ref	Cylinder, Compensation - 1055 (See Separate Breakdown in this Section)	
4	1001162076	Ref	Installation, Frame Level Cylinder (See Separate Breakdown in HYDRAULIC CIRCUITS Section)	
5	1001213065	Ref	Cylinder, Outrigger (See Separate Breakdown in this Section)	
6	1001164036	Ref	Installation, Rear Axle Stabilizer Cylinder (See Separate Breakdown in HYDRAULIC CIRCUITS Section)	
7	1001171330	Ref	Installation, Extend/Retract Cylinder (See Separate Breakdown in HYDRAULIC CIRCUITS Section)	

# SECTION 9 - HYDRAULIC COMPONENTS

## FIGURE 9-2. CYLINDER GROUP INSTALLATION (1255)



ART\_1001160720-I

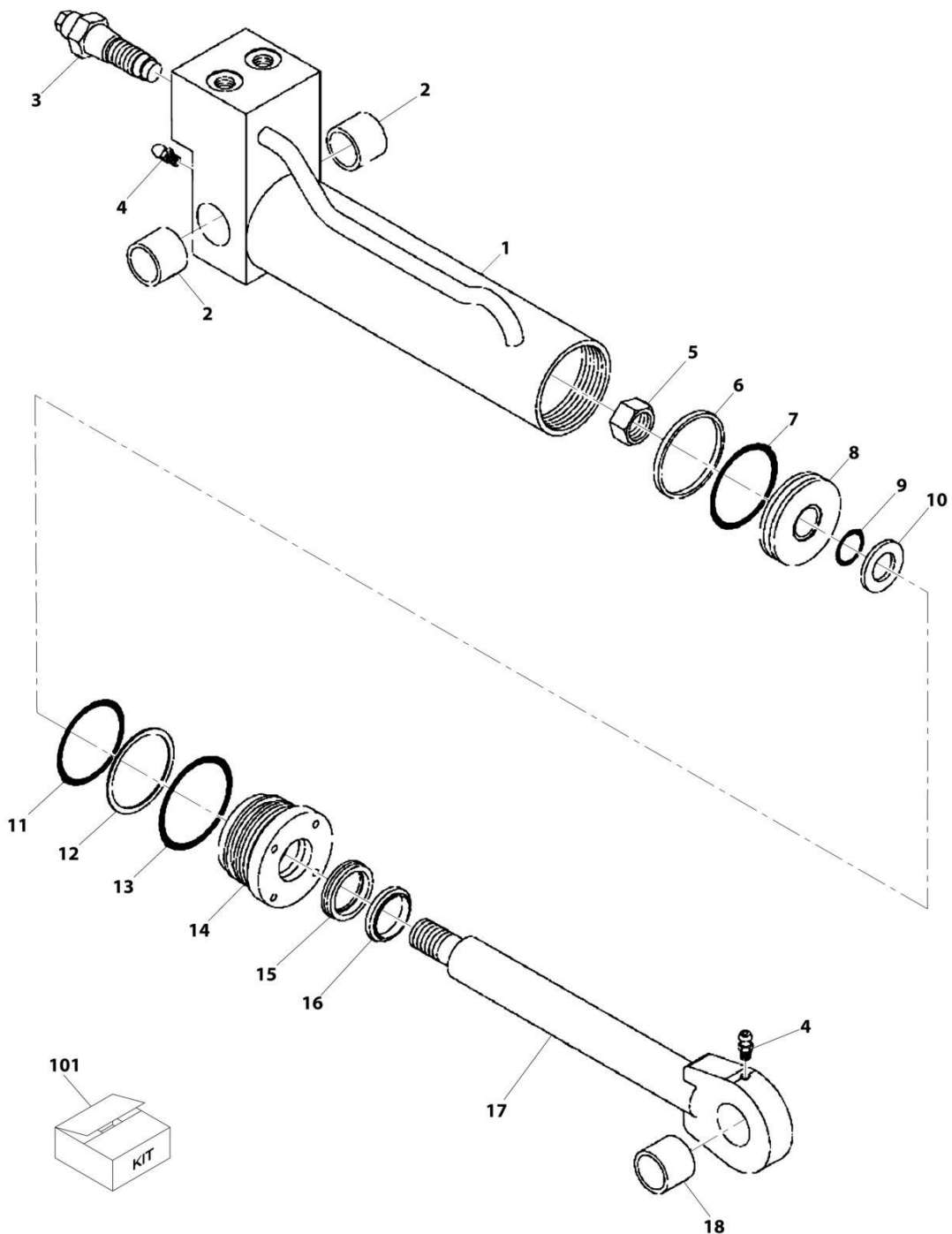
## SECTION 9 - HYDRAULIC COMPONENTS

**FIGURE 9-2. CYLINDER GROUP INSTALLATION (1255)**

ITEM	PART NUMBER	QTY	DESCRIPTION	REV
	1001160720	Ref	Cylinder Group Installation - 1255	1
1	1001208765	Ref	Installation, Lift Cylinder (See Separate Breakdown in HYDRAULIC CIRCUITS Section)	
2	1001196454	Ref	Cylinder, Tilt - 1255 (See Separate Breakdown in this Section)	
3	1001184453	Ref	Cylinder, Compensation - 1255 (See Separate Breakdown in this Section)	
4	1001162076	Ref	Installation, Frame Level Cylinder (See Separate Breakdown in HYDRAULIC CIRCUITS Section)	
5	1001213065	Ref	Cylinder, Outrigger (See Separate Breakdown in this Section)	
6	1001164036	Ref	Installation, Rear Axle Stabilizer Cylinder (See Separate Breakdown in HYDRAULIC CIRCUITS Section)	
7	1001171330	Ref	Installation, Extend/Retract Cylinder (See Separate Breakdown in HYDRAULIC CIRCUITS Section)	

# SECTION 9 - HYDRAULIC COMPONENTS

## FIGURE 9-3. CYLINDER ASSEMBLY - BUCKET (GRAPPLE)



ART\_70021393-A

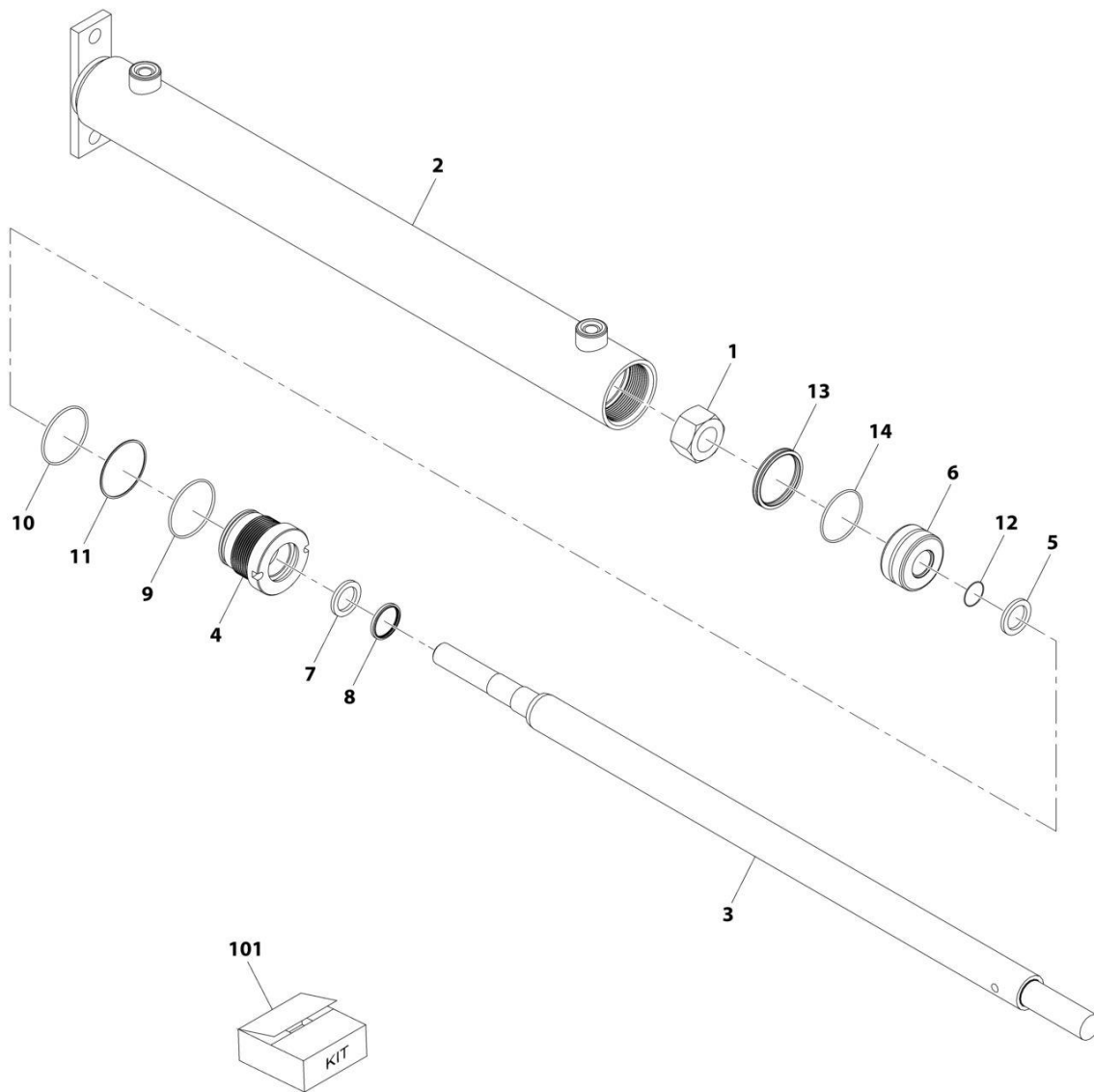
## SECTION 9 - HYDRAULIC COMPONENTS

### FIGURE 9-3. CYLINDER ASSEMBLY - BUCKET (GRAPPLE)

ITEM	PART NUMBER	QTY	DESCRIPTION	REV
	70021393	Ref	Grapple Bucket Cylinder	A
1	70021465	1	Tube, Cylinder	
2	70021448	2	Bushing	
3	70021464	2	Cartridge, Valve	
4	90554045	2	Fitting, Grease	
5	70021440	1	Nut	
6	Kit	1	Ring, Piston	
7	Kit	1	O-Ring	
8	70021451	1	Piston	
9	Kit	1	O-Ring	
10	70021444	1	Washer	
11	Kit	1	O-Ring	
12	Kit	1	Washer, Back-Up	
13	Kit	1	O-Ring	
14	70021446	1	Gland, Cylinder	
15	Kit	1	Seal, Poly-Pak	
16	Kit	1	Wiper, Rod	
17	70021466	1	Rod, Piston	
18	70021447	1	Bushing	
101	70021452	1	Kit, Seal (includes items 6, 7, 9, 11 thru 13, 15 & 16)	

# SECTION 9 - HYDRAULIC COMPONENTS

## FIGURE 9-4. CYLINDER ASSEMBLY - CARRIAGE DUAL FORKS



ART\_70026772



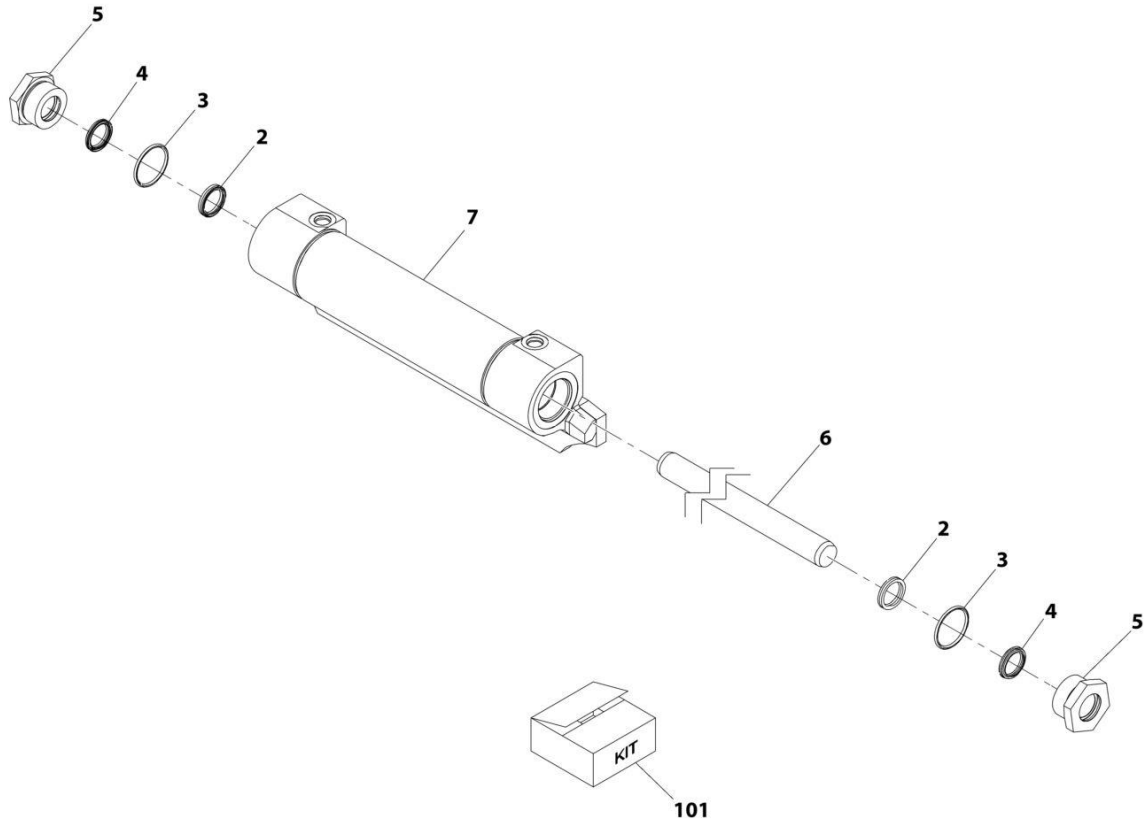
## SECTION 9 - HYDRAULIC COMPONENTS

### FIGURE 9-4. CYLINDER ASSEMBLY - CARRIAGE DUAL FORKS

ITEM	PART NUMBER	QTY	DESCRIPTION	REV
	70026772	Ref	Dual Fork Cylinder Assembly	
1	70026770	1	Nut	
2	N.S.S.	1	Weldment, Cylinder Tube	
3	70026773	1	Cylinder Rod	
4	70026774	1	Gland	
5	70026775	1	Washer	
6	70026771	1	Cylinder Piston	
7	Kit	1	Seal	
8	Kit	1	Rod Wiper	
9	Kit	1	O-Ring	
10	Kit	1	O-Ring	
11	Kit	1	O-Ring, Back-Up	
12	Kit	1	O-Ring	
13	Kit	1	Piston Ring	
14	Kit	1	O-Ring	
101	8036733	1	Kit, Seal (includes items 7 thru 14)	

# SECTION 9 - HYDRAULIC COMPONENTS

## FIGURE 9-5. CYLINDER ASSEMBLY - CARRIAGE SIDE SHIFT



ART\_70024539-B

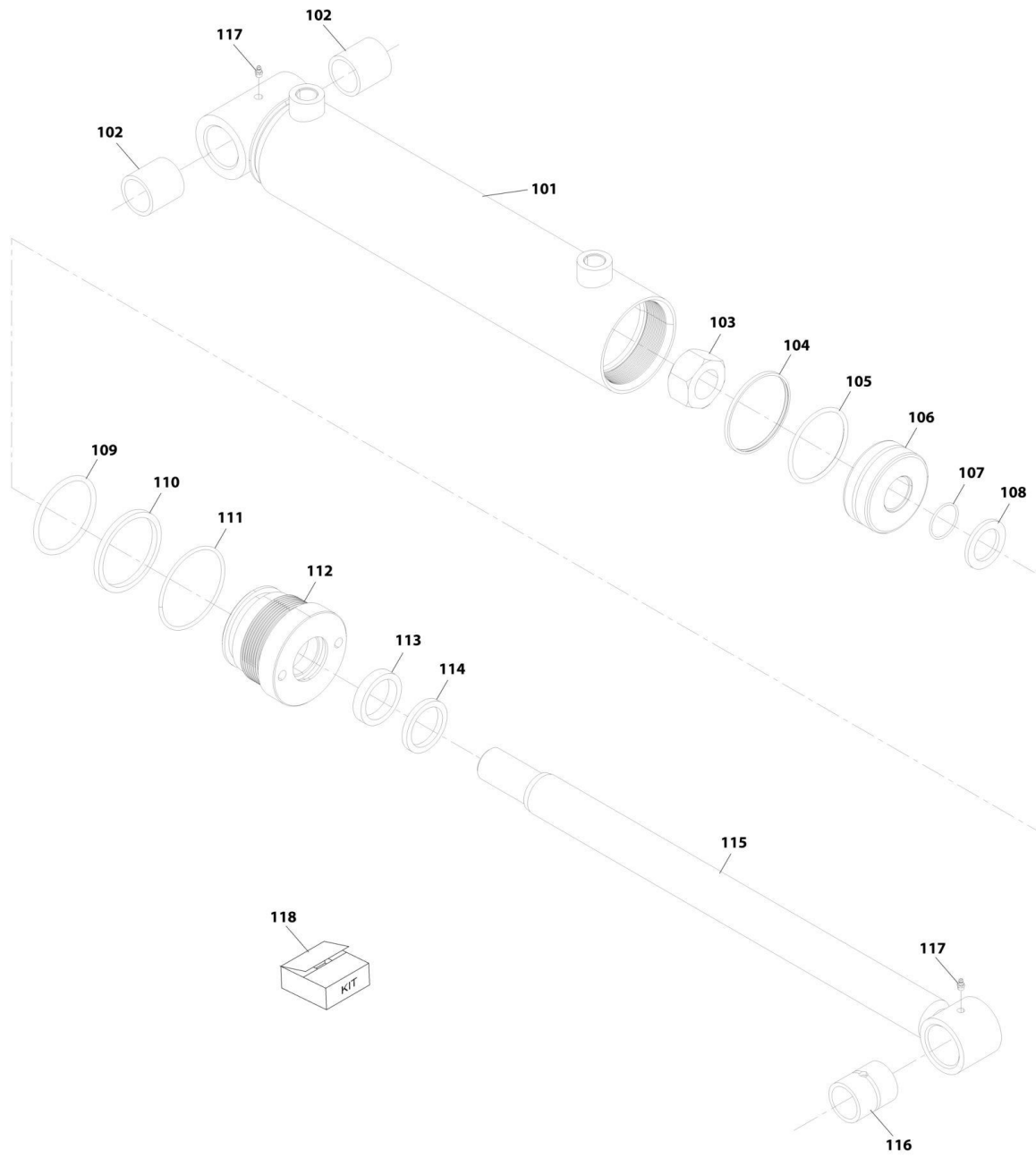
## SECTION 9 - HYDRAULIC COMPONENTS

FIGURE 9-5. CYLINDER ASSEMBLY - CARRIAGE SIDE SHIFT

ITEM	PART NUMBER	QTY	DESCRIPTION	REV
	70024539	Ref	Side Shift Carriage Cylinder	B
2	Kit	2	Seal, Rod	
3	70024547	2	O-Ring	
4	Kit	2	Seal, Rod Wiper	
5	70024548	2	Seal, Retainer	
6	N.S.S.	1	Rod	
7	N.S.S.	1	Barrel	
101	70024549	1	Kit, Seal (includes items 2 & 4)	

# SECTION 9 - HYDRAULIC COMPONENTS

## FIGURE 9-6. CYLINDER ASSEMBLY - CARRIAGE SIDE SHIFT



ART\_70021376

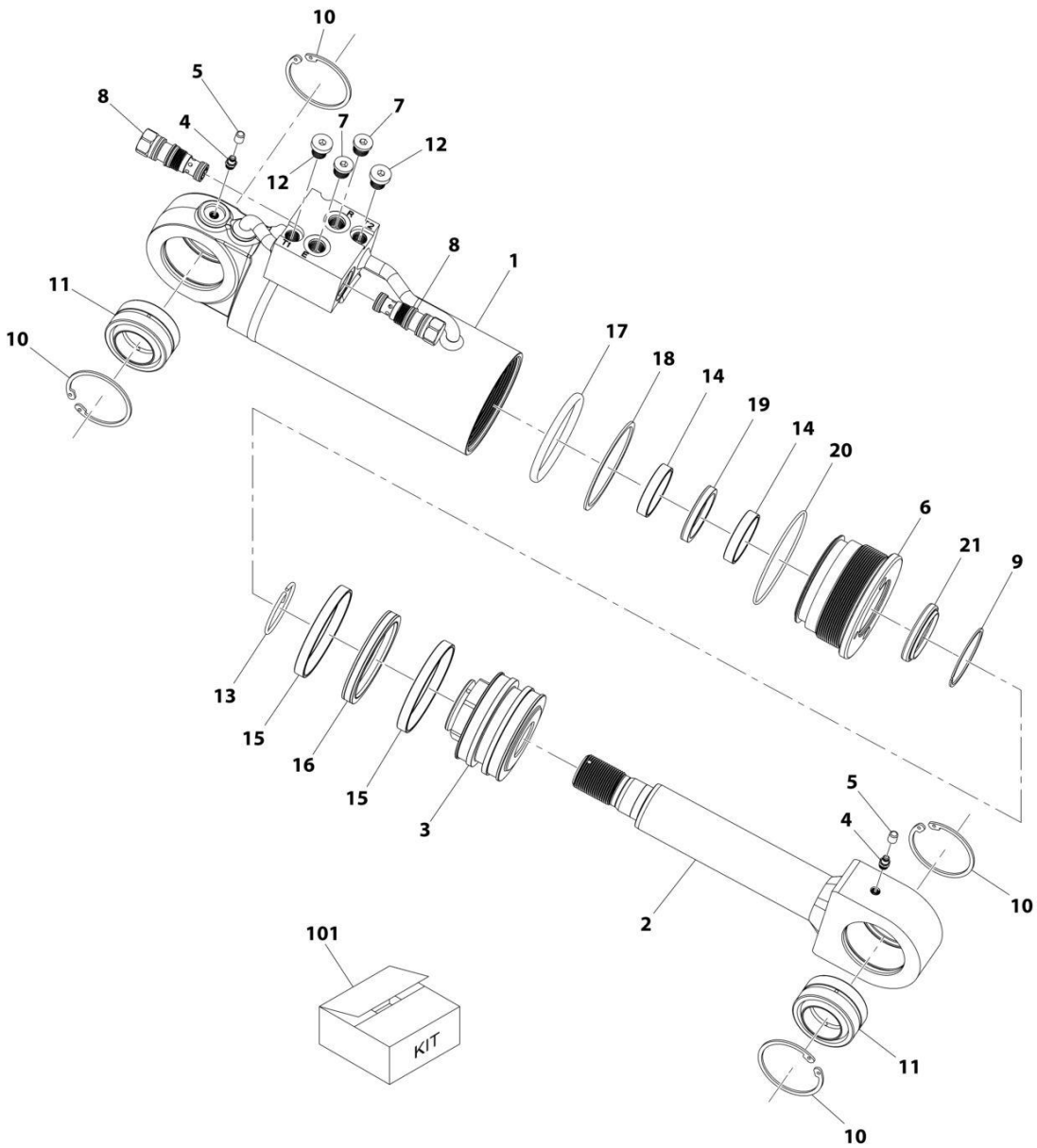
## SECTION 9 - HYDRAULIC COMPONENTS

**FIGURE 9-6. CYLINDER ASSEMBLY - CARRIAGE SIDE SHIFT**

ITEM	PART NUMBER	QTY	DESCRIPTION	REV
	70021376	1	Cylinder Assembly, Side Shift Carriage 12K	
101	Kit	1	Barrel	
102	70021448	2	Bushing	
103	70021440	1	Nut	
104	Kit	1	Piston Ring	
105	Kit	1	O-Ring	
106	70021451	1	Piston	
107	Kit	1	O-Ring	
108	70021444	1	Spacer, Sheave	
109	Kit	1	O-Ring	
110	Kit	1	Back-Up Washer	
111	Kit	1	O-Ring	
112	70021446	1	Gland	
113	Kit	1	Seal	
114	Kit	1	Rod Wiper	
115	70021445	1	Rod	
116	70021447	1	Bushing	
117	90554045	2	Grease Fitting	
118	70021452	1	Seal Kit, (includes items 104, 105, 107, 109, 110, 111, 113 & 114)	

# SECTION 9 - HYDRAULIC COMPONENTS

## FIGURE 9-7. CYLINDER ASSEMBLY - CARRIAGE SIDE TILT



ART\_1001163414-A

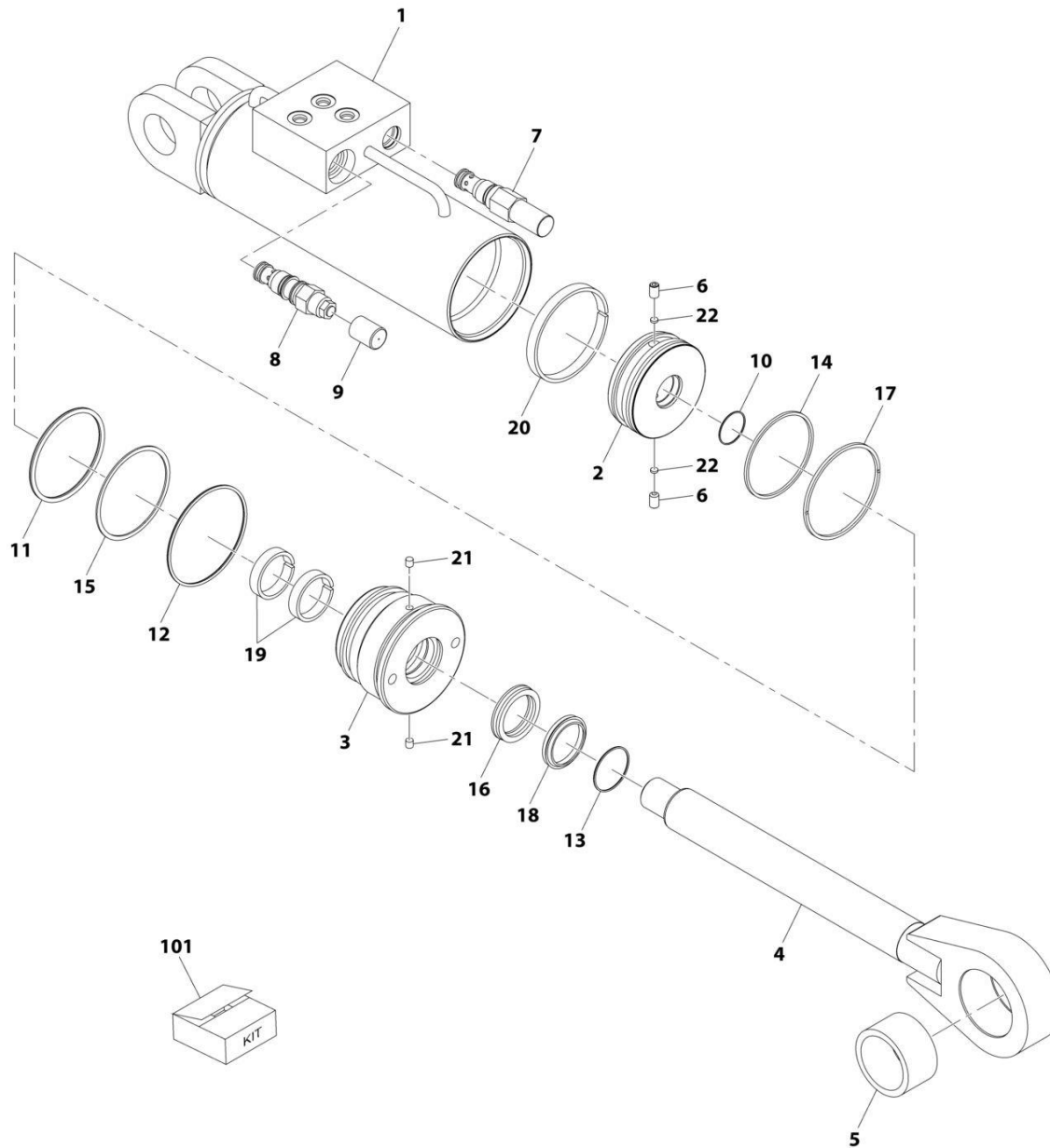
## SECTION 9 - HYDRAULIC COMPONENTS

**FIGURE 9-7. CYLINDER ASSEMBLY - CARRIAGE SIDE TILT**

ITEM	PART NUMBER	QTY	DESCRIPTION	REV
	1001163414	Ref	Side Tilt Cylinder	A
1	70026056	1	Barrel	
2	70026057	1	Rod	
3	70026058	1	Head, Piston	
4	70025606	2	Nipple, Grease	
5	70024020	2	Fitting, Grease	
6	70003849	1	Gland	
7	70025959	2	Plug	
8	70026059	2	Valve, P.O. Check	
9	70002219	1	Ring, Internal Snap	
10	70026060	4	Ring, Internal Snap	
11	70026061	2	Bearing, Spherical	
12	70024262	2	Plug	
13	70002224	1	Ring, Locking	
14	Kit	2	Ring, Rod Bearing	
15	Kit	2	Ring, Piston Bearing	
16	Kit	1	Seal, Piston	
17	Kit	1	O-Ring	
18	Kit	1	Ring, Back-Up	
19	Kit	1	Seal, Rod	
20	Kit	1	O-Ring	
21	Kit	1	Seal, Wiper	
101	70026062	1	Kit, Seal (includes items 14 thru 21)	

# SECTION 9 - HYDRAULIC COMPONENTS

## FIGURE 9-8. CYLINDER ASSEMBLY - CARRIAGE SWING



ART\_1001103182-B



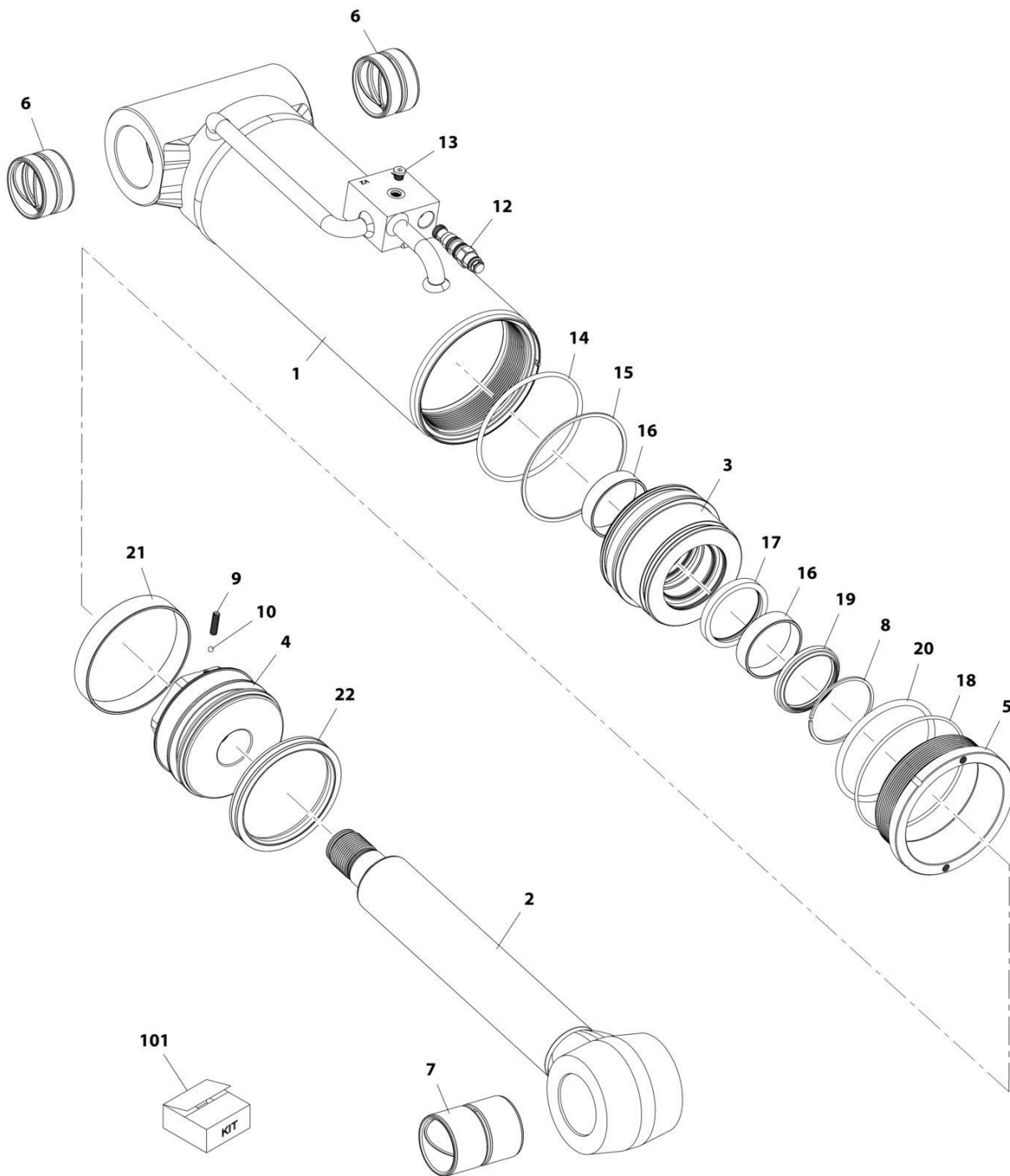
## SECTION 9 - HYDRAULIC COMPONENTS

### FIGURE 9-8. CYLINDER ASSEMBLY - CARRIAGE SWING

ITEM	PART NUMBER	QTY	DESCRIPTION	REV
	1001103182	Ref	Swing Carriage Cylinder	B
1	70022044	1	Assembly, Tube	
2	8035863	1	Piston	
3	8035862	1	Gland, Head	
4	70022045	1	Assembly, Rod	
5	70022046	1	Bearing	
6	8035536	2	Screw, Set 5/16-18X1/2	
7	70020428	1	Valve, Relief	
7	7024574	1	Kit, Seal	
8	8033786	1	Valve, Counterbalance	
8	8205655	1	Kit, Seal	
9	70021812	1	Tamper-proof Cap	
10	Kit	1	O-Ring	
11	Kit	1	O-Ring	
12	Kit	1	O-Ring	
13	Kit	1	O-Ring	
14	Kit	1	Ring, Square	
15	Kit	1	Ring, Backup	
16	Kit	1	Seal	
17	Kit	1	Seal, Piston	
18	Kit	1	Wiper, Rod	
19	Kit	2	Wearband	
20	Kit	1	Wearband	
21	Kit	2	Insert	
22	Kit	2	Insert	
101	2915023	1	Kit, Seal (includes items 11 thru 22)	

# SECTION 9 - HYDRAULIC COMPONENTS

## FIGURE 9-9. CYLINDER ASSEMBLY - COMPENSATION (1055)



ART\_1001184452-A

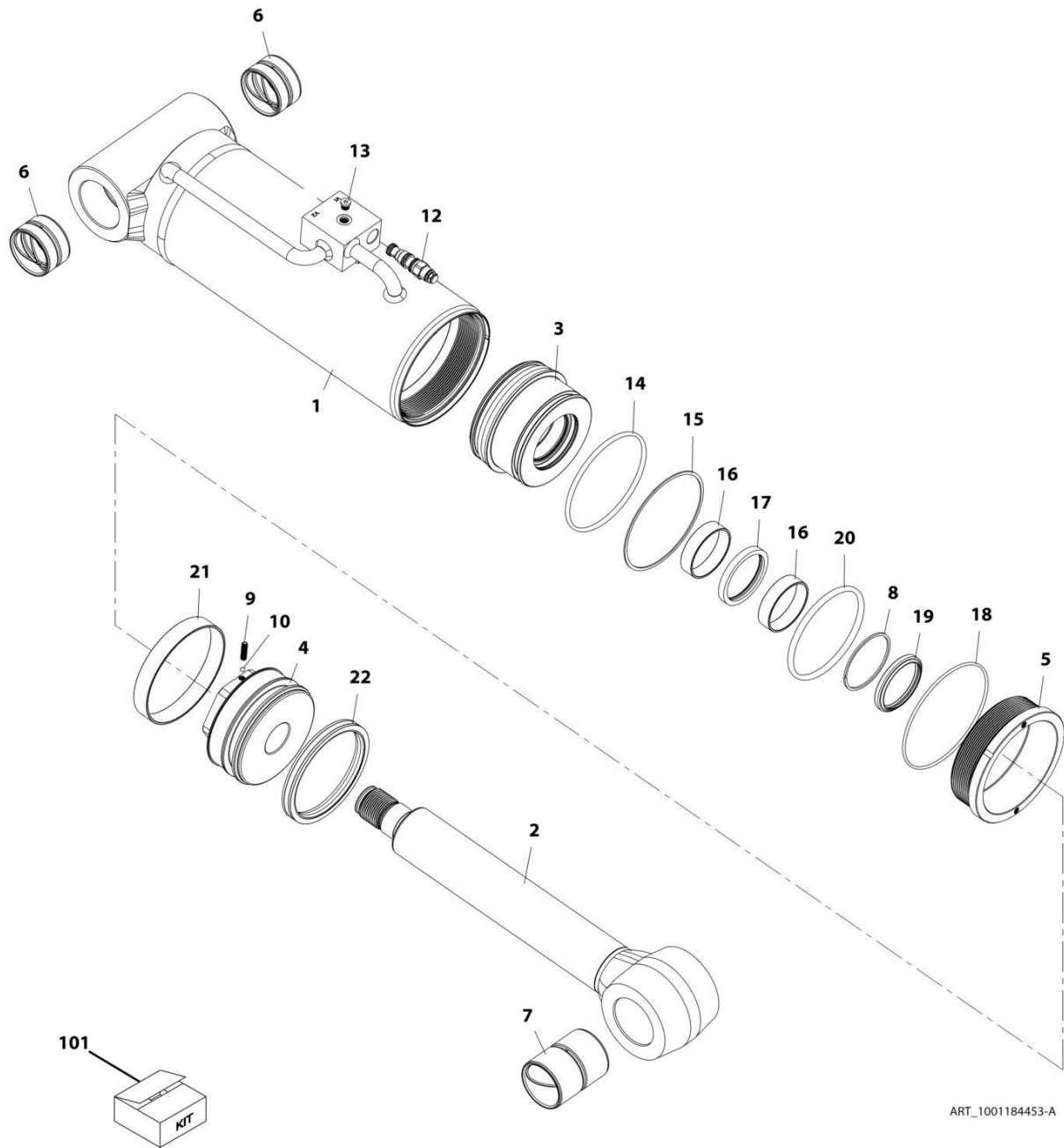
## SECTION 9 - HYDRAULIC COMPONENTS

**FIGURE 9-9. CYLINDER ASSEMBLY - COMPENSATION (1055)**

ITEM	PART NUMBER	QTY	DESCRIPTION	REV
	1001184452	Ref	Compensation Cylinder - 1055	A
1	70026337	1	Barrel	
2	70026338	1	Rod	
3	70026339	1	Gland	
4	70026163	1	Head, Piston	
5	70026164	1	Collar, Gland Locking	
6	70026157	2	Bushing	
7	70026158	1	Bushing	
8	70023086	1	Ring, Snap	
9	70026159	1	Screw	
10	70005014	1	Ball, Steel	
12	70026336	1	Valve, Counterbalance	
13	70025619	1	Plug	
14	Kit	1	O-Ring	
15	Kit	1	Ring, Backup	
16	Kit	2	Ring, Bearing	
17	Kit	1	Seal, Rod	
18	Kit	1	O-Ring	
19	Kit	1	Seal, Wiper	
20	Kit	1	O-Ring	
21	Kit	1	Ring, Bearing	
22	Kit	1	Seal, Piston	
101	70026340	1	Kit, Seal (includes items 14 thru 22)	

# SECTION 9 - HYDRAULIC COMPONENTS

## FIGURE 9-10. CYLINDER ASSEMBLY - COMPENSATION (1255)



ART\_1001184453-A

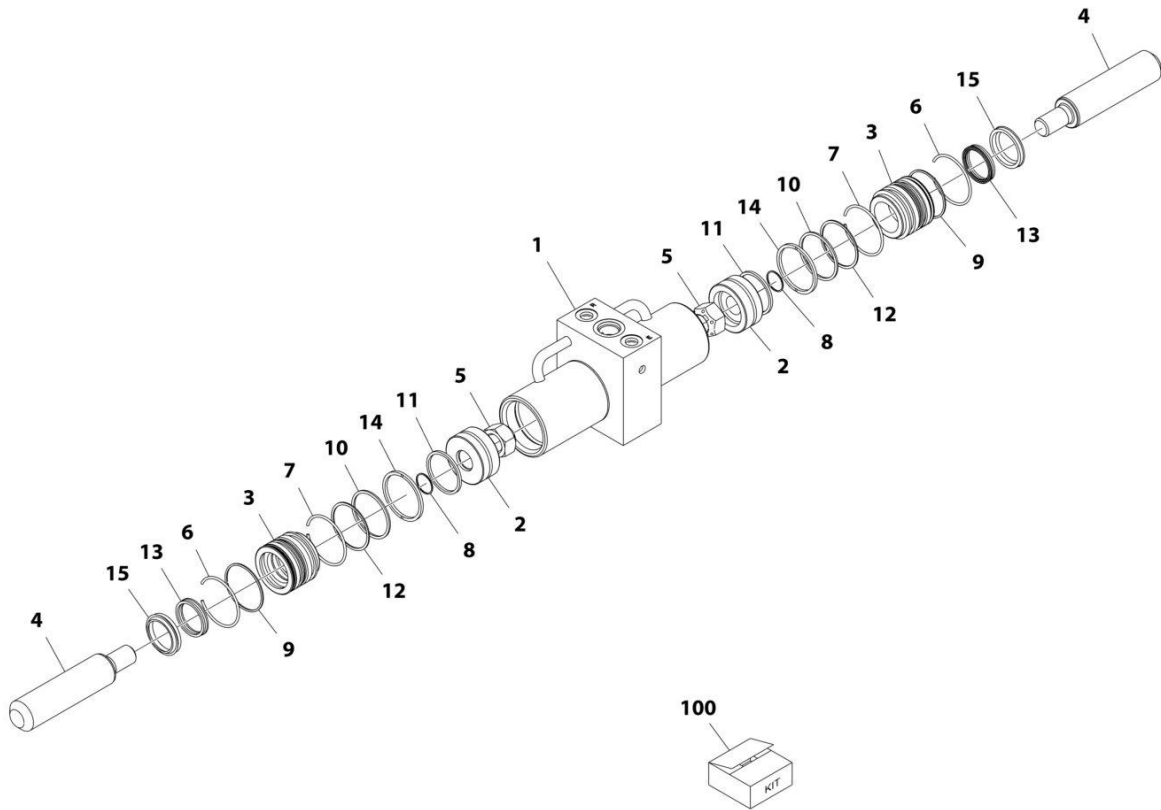
## SECTION 9 - HYDRAULIC COMPONENTS

**FIGURE 9-10. CYLINDER ASSEMBLY - COMPENSATION (1255)**

ITEM	PART NUMBER	QTY	DESCRIPTION	REV
	1001184453	Ref	Compensation Cylinder - 1255	A
1	70026341	1	Barrel	
2	70026342	1	Rod	
3	70026154	1	Gland	
4	70026155	1	Head, Piston	
5	70026156	1	Collar, Gland Locking	
6	70026157	2	Bushing	
7	70026158	1	Bushing	
8	70023086	1	Ring, Snap	
9	70026159	1	Screw	
10	70005014	1	Ball, Steel	
12	70026336	1	Valve, Counterbalance	
13	70025619	1	Plug	
14	Kit	1	O-Ring	
15	Kit	1	Ring, Backup	
16	Kit	2	Ring, Bearing	
17	Kit	1	Seal, Rod	
18	Kit	1	O-Ring	
19	Kit	1	Seal, Wiper	
20	Kit	1	O-Ring	
21	Kit	1	Ring, Bearing	
22	Kit	1	Seal, Piston	
101	70026343	1	Kit, Seal (includes items 14 thru 22)	

# SECTION 9 - HYDRAULIC COMPONENTS

## FIGURE 9-11. CYLINDER ASSEMBLY - COUPLER



ART\_1001120163-D

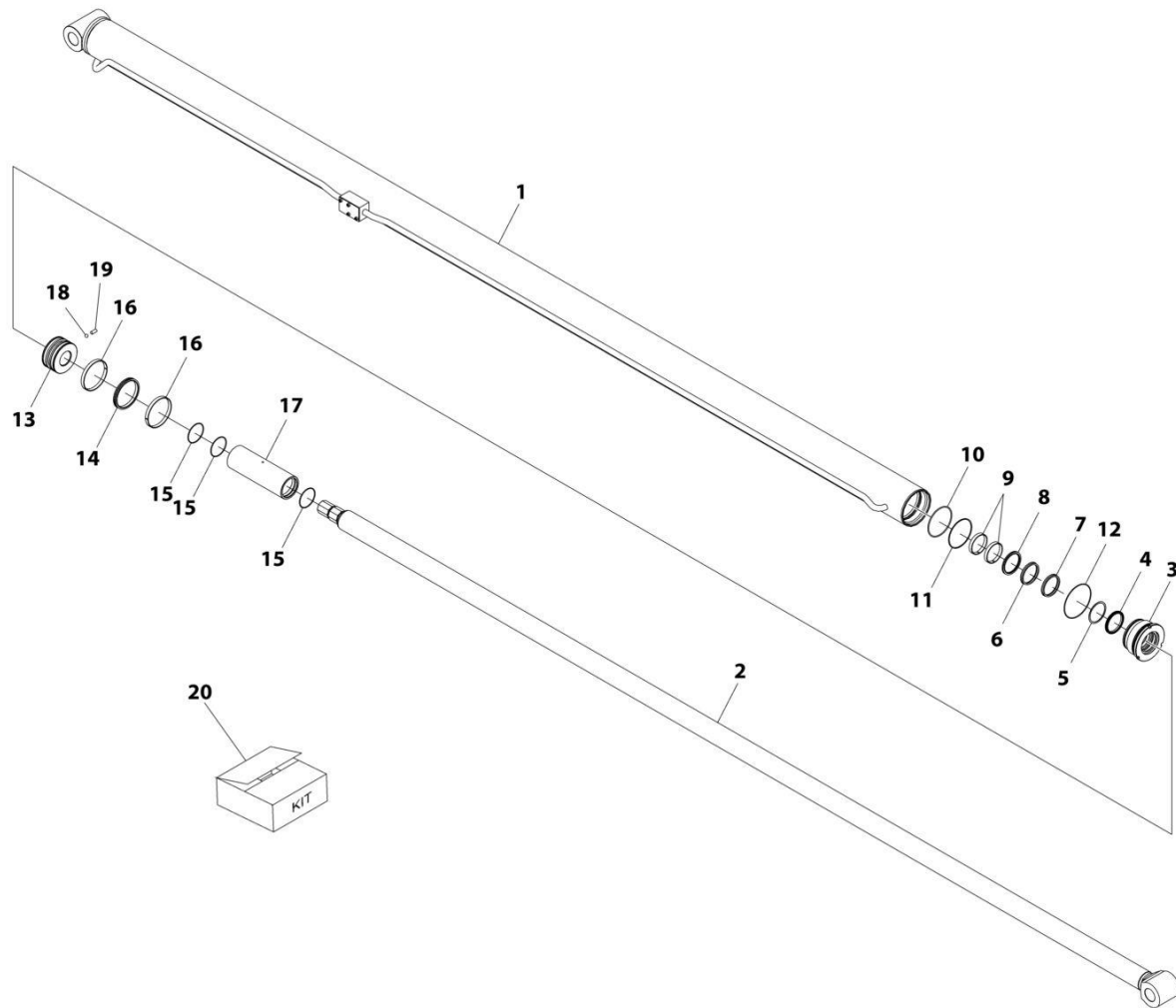
## SECTION 9 - HYDRAULIC COMPONENTS

### FIGURE 9-11. CYLINDER ASSEMBLY - COUPLER

ITEM	PART NUMBER	QTY	DESCRIPTION	REV
	1001120163	Ref	Quick Coupler Cylinder	D
1	70026211	1	Barrel	
2	70026212	2	Piston	
3	70026213	2	Head Gland	
4	70026214	2	Cylinder Rod	
5	8037140	2	Locknut	
6	Kit	2	Round Retaining Ring	
7	Kit	2	Round Retaining Ring	
8	Kit	2	O-Ring	
9	Kit	2	O-Ring	
10	Kit	2	O-Ring	
11	Kit	2	Square Ring	
12	Kit	2	Backup Ring	
13	Kit	2	Rod Seal	
14	Kit	2	Piston Seal	
15	Kit	2	Rod Wiper	
100	70026215	1	Seal Kit (includes items 6 thru 15)	

# SECTION 9 - HYDRAULIC COMPONENTS

## FIGURE 9-12. CYLINDER ASSEMBLY - EXTENT/RETRACT



ART\_1001251067



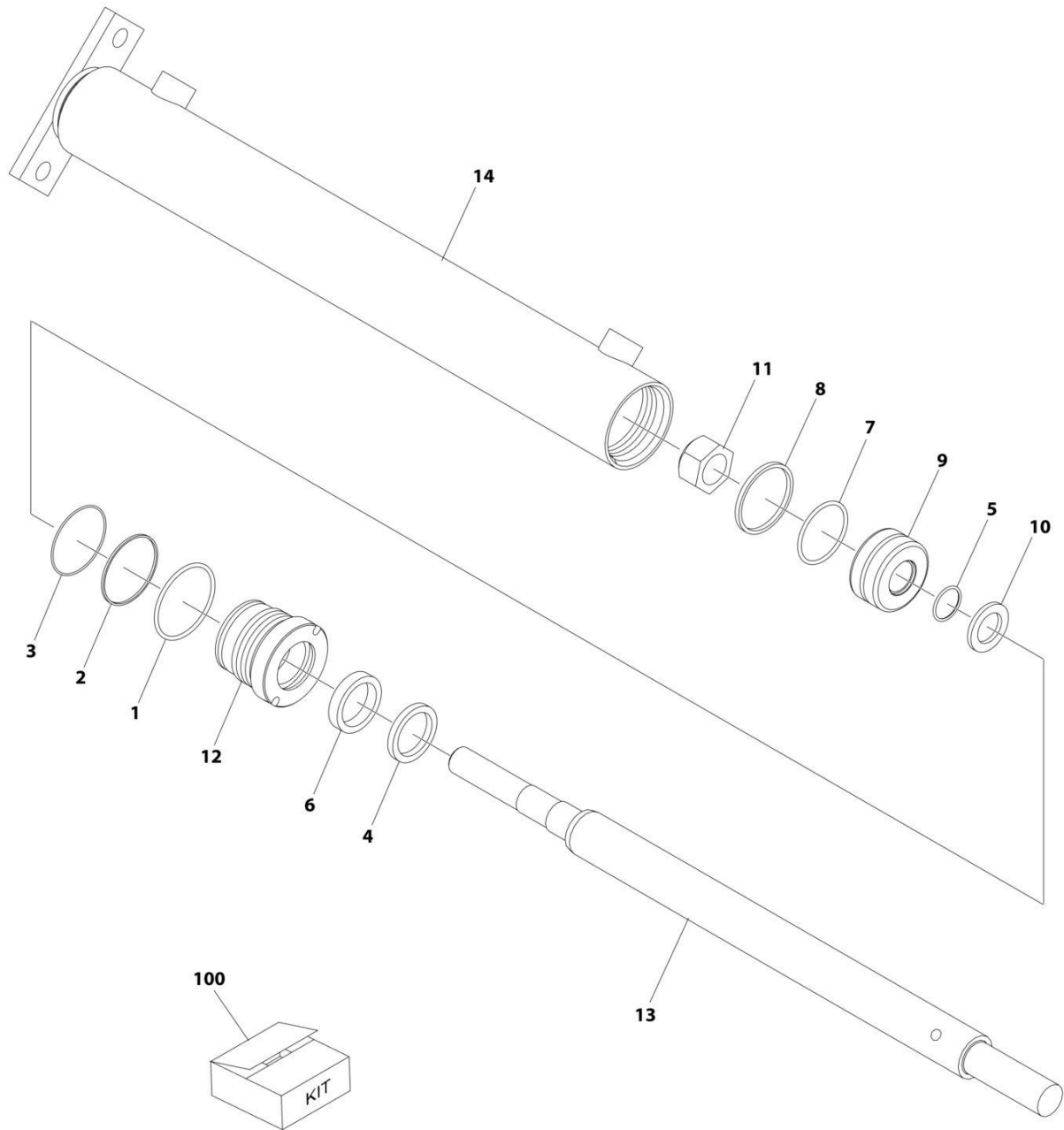
## SECTION 9 - HYDRAULIC COMPONENTS

**FIGURE 9-12. CYLINDER ASSEMBLY - EXTENT/RETRACT**

ITEM	PART NUMBER	QTY	DESCRIPTION	REV
	1001251067	Ref	Extend/Retract Cylinder	A
1	N.S.S.	1	Barrel	
2	70029460	1	Rod	
3	70029461	1	Gland	
4	Kit	1	Dust Wiper	
5	70023379	1	Retaining Ring	
6	Kit	1	Rod Seal	
7	Kit	1	Back-Up Ring	
8	Kit	1	Buffer Seal	
9	Kit	2	Wear Ring	
10	Kit	1	O-Ring	
11	Kit	1	Back-Up Ring	
12	Kit	1	O-Ring	
13	70029462	1	Piston	
14	Kit	1	Piston Seal	
15	Kit	3	O-Ring	
16	Kit	2	Wear Ring	
17	70029463	1	Spacer	
18	70022564	1	Steel Ball	
19	70006596	1	Set Screw	
20	70029464	1	Seal Kit (includes items 4, 6 through 12, 14, 15 & 16)	

# SECTION 9 - HYDRAULIC COMPONENTS

## FIGURE 9-13. CYLINDER ASSEMBLY - FORK POSITIONING



ART\_2717283

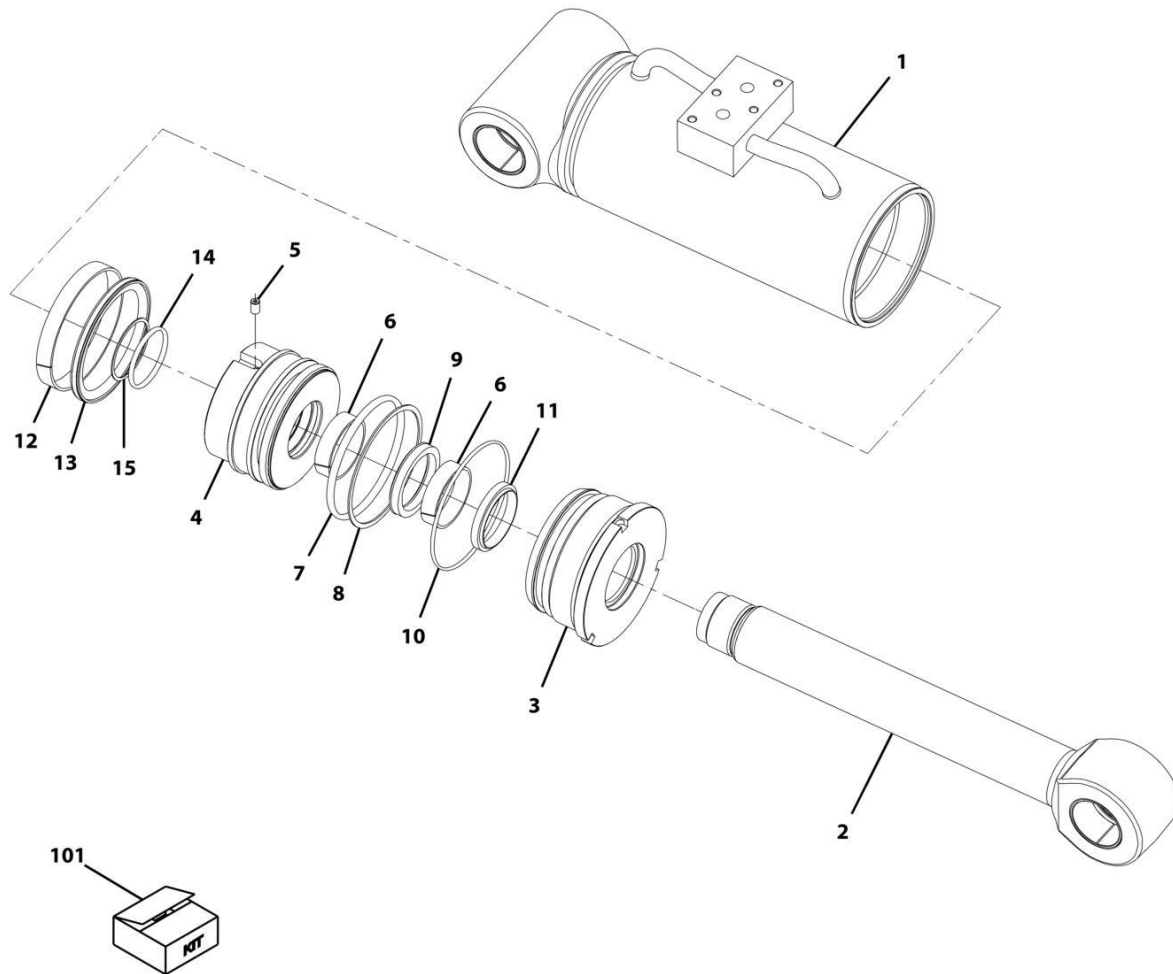
## SECTION 9 - HYDRAULIC COMPONENTS

**FIGURE 9-13. CYLINDER ASSEMBLY - FORK POSITIONING**

ITEM	PART NUMBER	QTY	DESCRIPTION	REV
	2717283	Ref	FORK POSITIONING CYLINDER	B
1	See Note	NSS	O-Ring (Use Item 100)	
2	See Note	NSS	Ring, Back-up (Use Item 100)	
3	See Note	NSS	O-Ring (Use Item 100)	
4	See Note	NSS	Seal (Use Item 100)	
5	See Note	NSS	O-Ring (Use Item 100)	
6	See Note	NSS	Seal (Use Item 100)	
7	See Note	NSS	O-Ring (Use Item 100)	
8	See Note	NSS	Seal (Use Item 100)	
9	70026771	1	Piston	
10	70026775	1	Washer	
11	70026770	1	Nut	
12	70026774	1	Gland	
13	70026773	1	Rod	
14	See Note	NSS	Barrel (Note: Not Available for Purchase)	
100	8036733	1	Seal Kit (includes items 1 thru 8)	

# SECTION 9 - HYDRAULIC COMPONENTS

## FIGURE 9-14. CYLINDER ASSEMBLY - FRAME LEVEL



ART\_1001179369-A

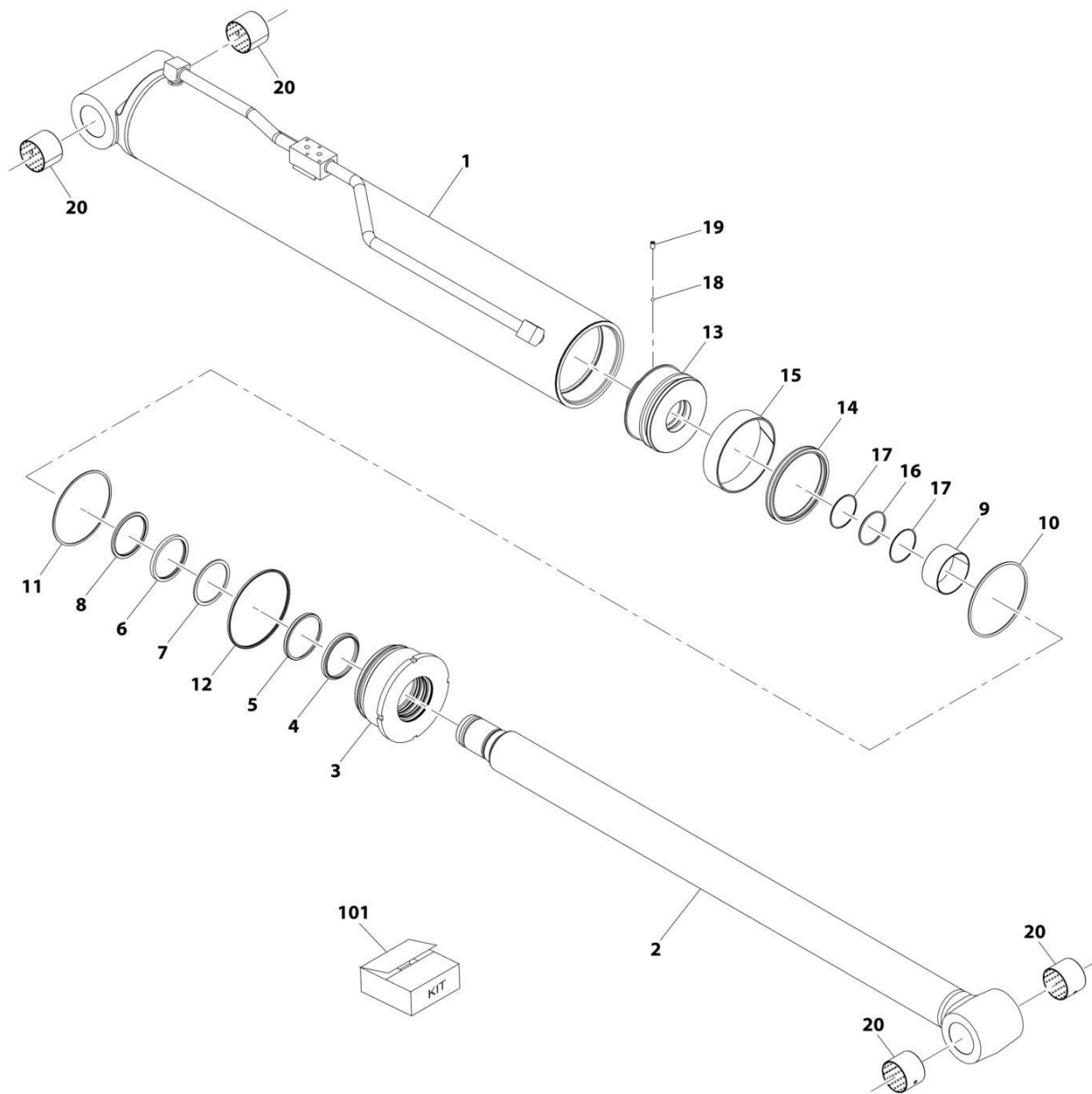
## SECTION 9 - HYDRAULIC COMPONENTS

### FIGURE 9-14. CYLINDER ASSEMBLY - FRAME LEVEL

ITEM	PART NUMBER	QTY	DESCRIPTION	REV
	1001179369	Ref	Frame Level Cylinder	A
1	70026435	1	Barrel	
2	70026436	1	Rod	
3	70026249	1	Guide, Rod	
4	70026251	1	Piston	
5	70020438	1	Screw	
6	Kit	2	Bearing	
7	Kit	1	O-Ring	
8	Kit	1	Ring, Backup	
9	Kit	1	Seal, Rod	
10	Kit	1	O-Ring	
11	Kit	1	Wiper	
12	Kit	1	Bearing	
13	Kit	1	Seal, Piston	
14	Kit	1	O-Ring	
15	Kit	2	Ring, Backup	
101	70026253	1	Kit, Seal (includes items 6 thru 15)	

# SECTION 9 - HYDRAULIC COMPONENTS

## FIGURE 9-15. CYLINDER ASSEMBLY - LIFT (1055)



ART\_1001211607-B

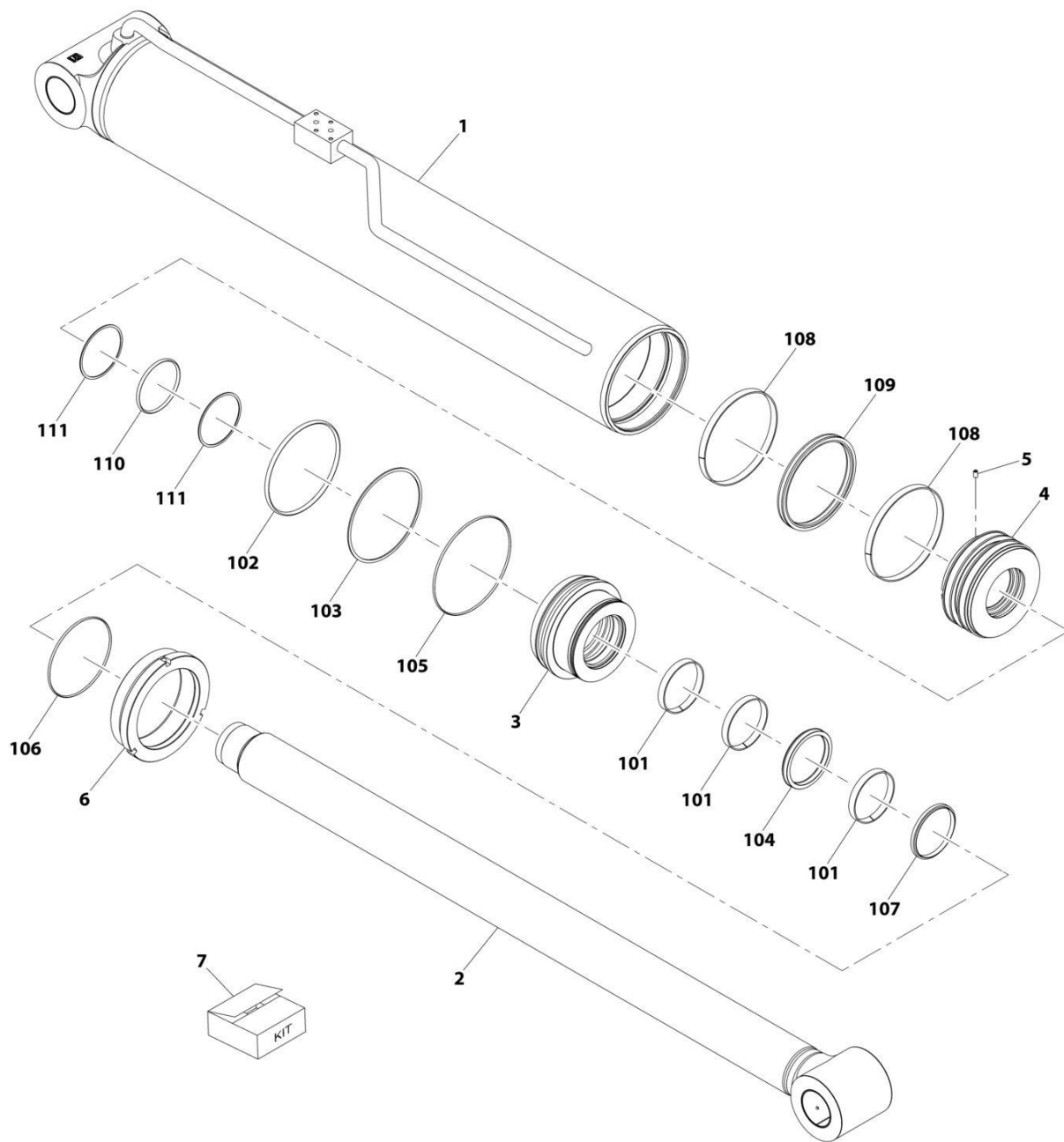
## SECTION 9 - HYDRAULIC COMPONENTS

### FIGURE 9-15. CYLINDER ASSEMBLY - LIFT (1055)

ITEM	PART NUMBER	QTY	DESCRIPTION	REV
	1001211607	Ref	Lift Cylinder - 1055	B
1	70026491	1	Barrel Assembly	
2	N.S.S.	1	Rod Assembly	
3	70026282	1	Gland	
4	N.S.S.	1	Dust Wiper	
5	70026283	1	Retain Ring	
6	Kit	1	Rod Seal	
7	Kit	1	Back-up Ring	
8	Kit	1	Buffer Ring	
9	70026284	1	Bearing	
10	Kit	1	O-Ring	
11	Kit	1	Back-up Ring	
12	Kit	1	O-Ring	
13	70026285	1	Piston	
14	Kit	1	Piston Seal	
15	Kit	1	Wear Ring	
16	Kit	1	O-Ring	
17	Kit	2	Back-up Ring	
18	N.S.S.	1	Steel Ball	
19	N.S.S.	1	Set Screw	
20	70026288	4	Bearing	
101	70026291	1	Kit, Seal (includes items 6 thru 8, 10 thru 12 & 14 thru 17)	

# SECTION 9 - HYDRAULIC COMPONENTS

FIGURE 9-16. CYLINDER ASSEMBLY - LIFT (1255) (Prior to SN 0160110381)



ART\_1001211608-A



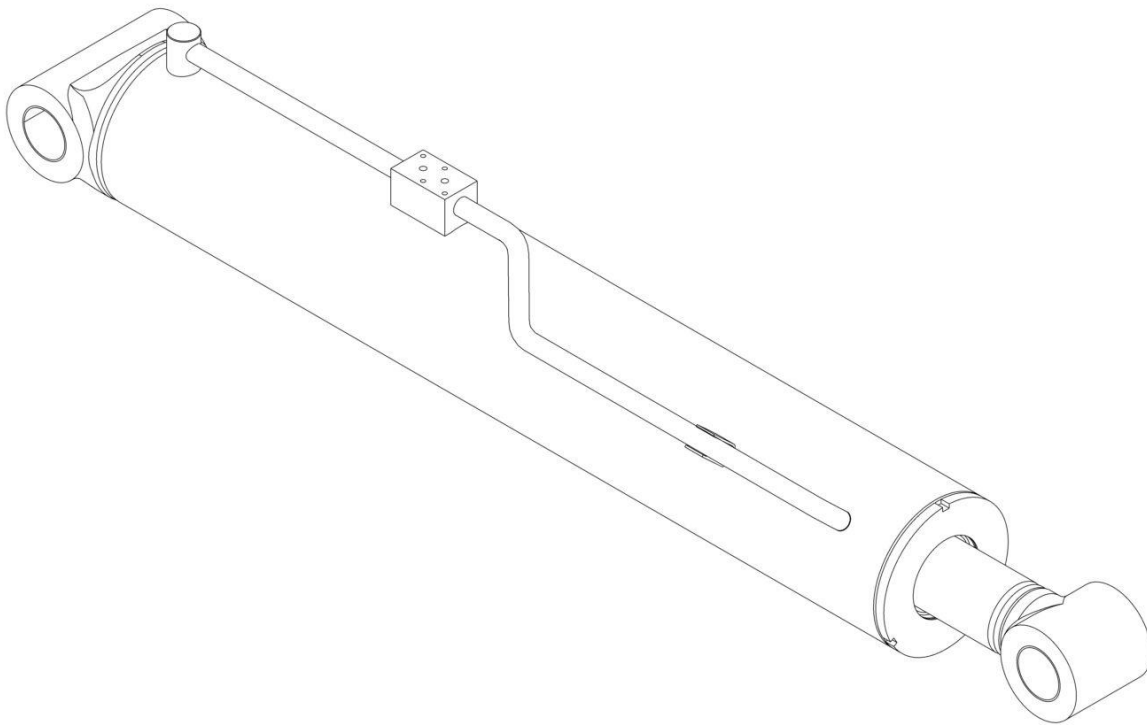
## SECTION 9 - HYDRAULIC COMPONENTS

**FIGURE 9-16. CYLINDER ASSEMBLY - LIFT (1255) (Prior to SN 0160110381)**

ITEM	PART NUMBER	QTY	DESCRIPTION	REV
	1001211608	1	LIFT CYLINDER- 1255	A
1	70026423	1	Barrel	
2	70028279	1	Rod	
3	70026421	1	Head	
4	70026424	1	Piston	
5	70020438	1	Radial Screw	
6	70026422	1	Screw	
7	70026425	1	Kit, Seal (includes items 101 thru 111)	
101	Kit	3	Wear Ring	
102	Kit	1	O-Ring	
103	Kit	1	Back-up Ring	
104	Kit	1	Rod Seal	
105	Kit	1	O-Ring	
106	Kit	1	O-Ring	
107	Kit	1	Wiper	
108	Kit	2	Wear Ring	
109	Kit	1	Piston Seal	
110	Kit	1	O-Ring	
111	Kit	2	Back-up Ring	

# SECTION 9 - HYDRAULIC COMPONENTS

FIGURE 9-17. CYLINDER ASSEMBLY - LIFT (1255) (SN 0160110381 to Present)



ART\_1001267971

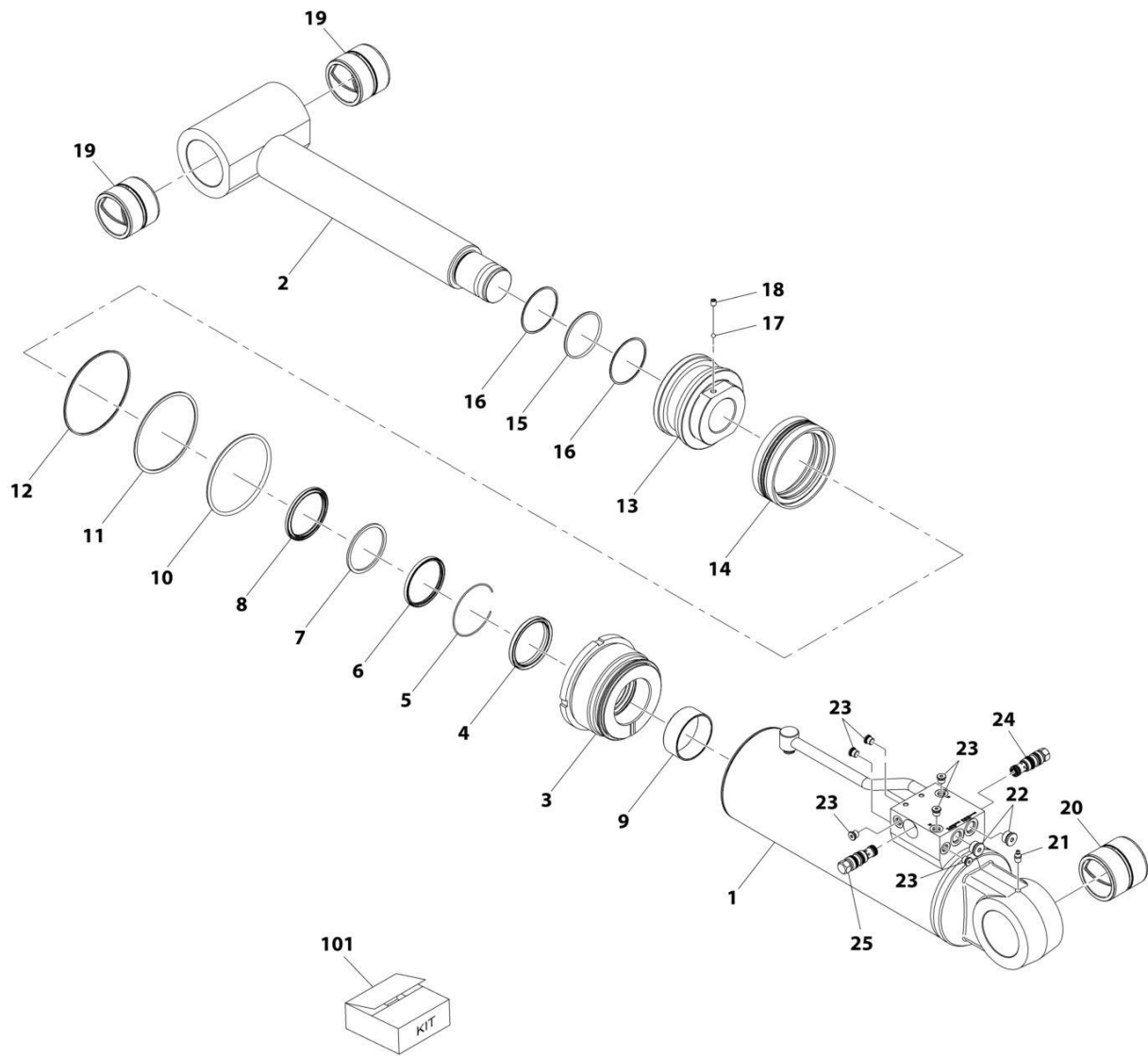
## SECTION 9 - HYDRAULIC COMPONENTS

FIGURE 9-17. CYLINDER ASSEMBLY - LIFT (1255) (SN 0160110381 to Present)

ITEM	PART NUMBER	QTY	DESCRIPTION	REV
	1001267971	Ref	LIFT CYLINDER - 1255	A
		Ref	Note: No Service Parts Available at Time of Printing.	

# SECTION 9 - HYDRAULIC COMPONENTS

## FIGURE 9-18. CYLINDER ASSEMBLY - OUTRIGGER



ART\_1001213065-C

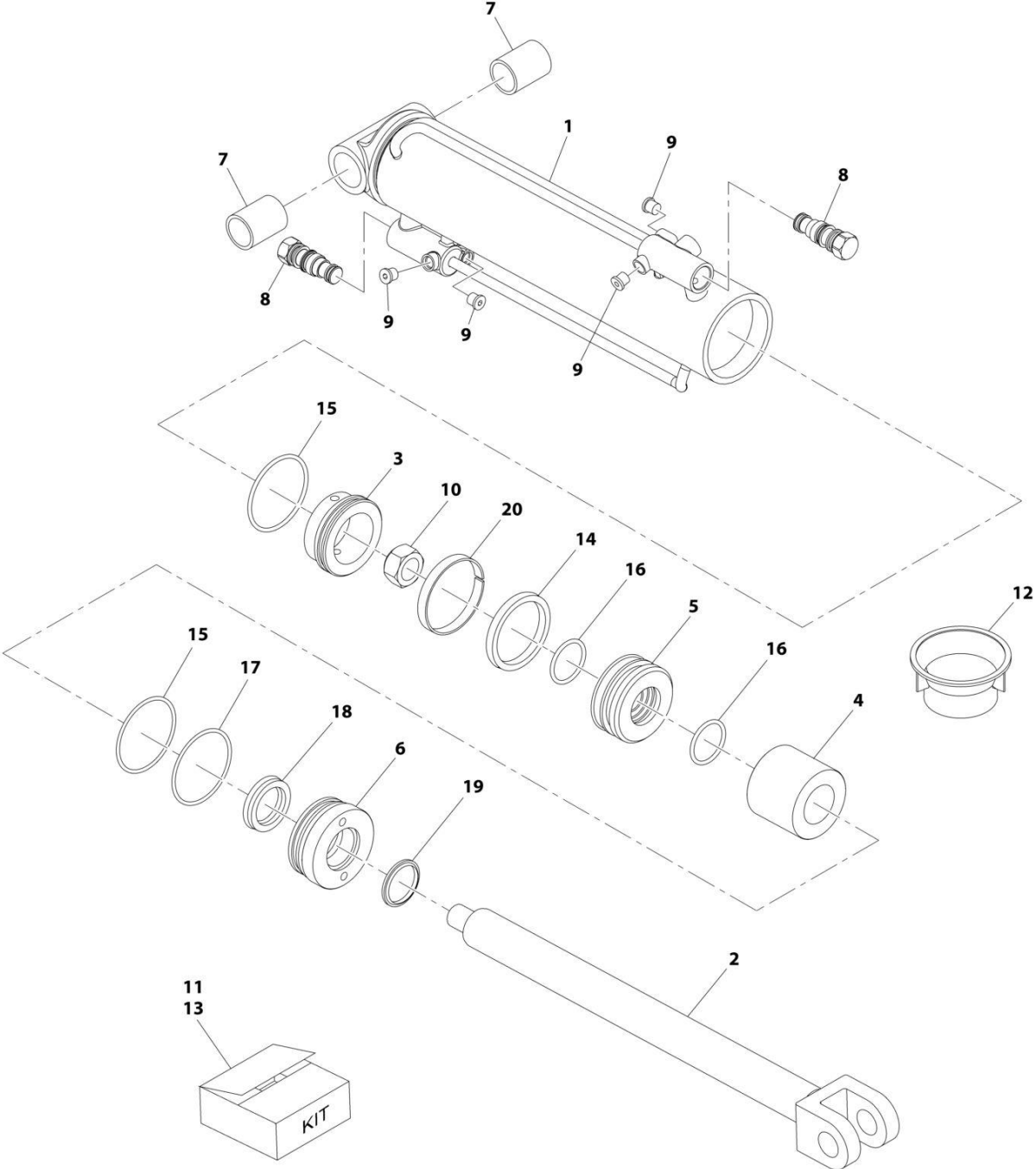
## SECTION 9 - HYDRAULIC COMPONENTS

**FIGURE 9-18. CYLINDER ASSEMBLY - OUTRIGGER**

ITEM	PART NUMBER	QTY	DESCRIPTION	REV
	1001213065	Ref	Outrigger Cylinder	C
1	70027758	1	Tube Assembly	
2	70026300	1	Rod Assembly	
3	70026301	1	Gland	
4	Kit	1	Dust Wiper	
5	70023379	1	Retain Ring	
6	Kit	1	Rod Seal	
7	Kit	1	Back-up Ring	
8	Kit	1	Buffer Ring	
9	70026302	1	Dry Bearing	
10	Kit	1	O-ring	
11	Kit	1	Back-up Ring	
12	Kit	1	O-ring	
13	70026303	1	Piston	
14	Kit	1	Piston Seal	
15	Kit	1	O-ring	
16	Kit	2	Back-up Ring	
17	70022564	1	Steel Ball	
18	70023369	1	Set Screw	
19	70026304	2	Pin Bush	
20	70026305	1	Pin Bush	
21	70026308	1	Grease Nipple	
22	2220886	2	Hex Soc. Plug	
23	2220883	6	Hex Soc. Plug	
24	1001214653	1	Counter Balance Valve	
25	1001214654	1	Counter Balance Valve	
101	70026309	1	Kit, Seal (includes items 4, 6, 7, 8, 10, 11, 12 & 14 thru 16)	

# SECTION 9 - HYDRAULIC COMPONENTS

## FIGURE 9-19. CYLINDER ASSEMBLY - PIPE HANDLER



ART\_70026587

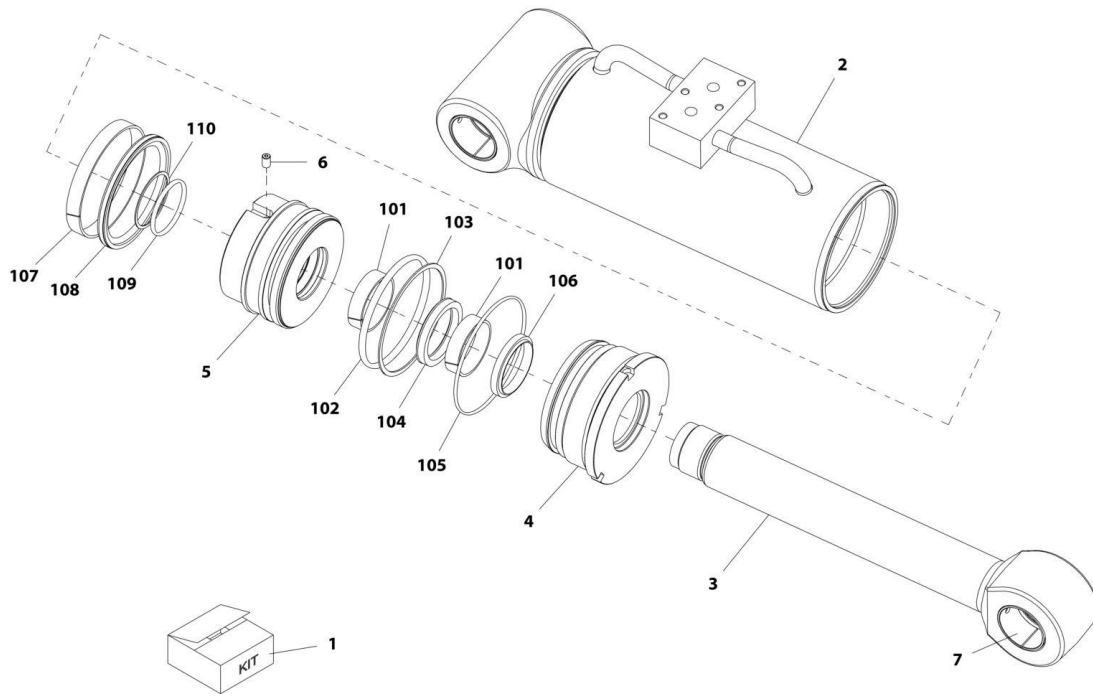
## SECTION 9 - HYDRAULIC COMPONENTS

**FIGURE 9-19. CYLINDER ASSEMBLY - PIPE HANDLER**

ITEM	PART NUMBER	QTY	DESCRIPTION	REV
	70026587	Ref	Pipe Handler Cylinder	
1	70026495	1	Barrel	
2	70026610	1	Rod	
3	70026497	1	Spacer	
4	70026611	1	Spacer	
5	70026499	1	Piston	
6	70026500	1	Retainer	
7	70026501	2	Bushing	
8	70026502	2	Valve, Check	
9	70024129	4	Fitting, 4	
10	70026503	1	Nut	
11	70024734	1	Kit, Check Valve Service	
12	70026505	1	Seal Loader	
13	70026506	1	Seal Kit (includes items 14 thru 20)	
14	Kit	AR	Seal (Note: Use Item 13)	
15	Kit	AR	O-Ring (Note: Use Item 13)	
16	Kit	AR	O-Ring (Note: Use Item 13)	
17	Kit	AR	Ring, Back-up (Note: Use Item 13)	
18	Kit	AR	Seal (Note: Use Item 13)	
19	Kit	AR	Wiper (Note: Use Item 13)	
20	Kit	AR	Ring, Wear (Note: Use Item 13)	

# SECTION 9 - HYDRAULIC COMPONENTS

## FIGURE 9-20. CYLINDER ASSEMBLY - STABILIZER (REAR AXLE)



ART\_1001158620-E



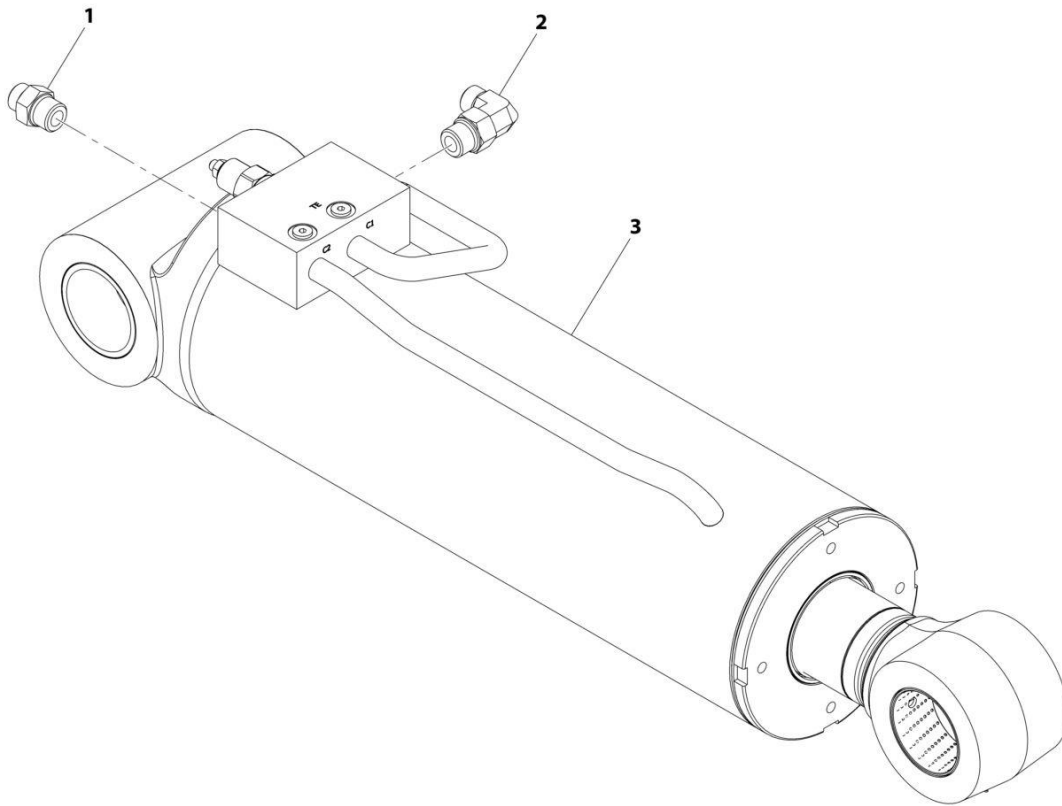
## SECTION 9 - HYDRAULIC COMPONENTS

**FIGURE 9-20. CYLINDER ASSEMBLY - STABILIZER (REAR AXLE)**

ITEM	PART NUMBER	QTY	DESCRIPTION	REV
	1001158620	Ref	Rear Axle Stability Cylinder	E
2	70026250	1	Barrel	
3	70026252	1	Rod	
4	70026249	1	Rod, Guide	
5	70026261	1	Piston	
6	70020438	1	Screw	
7	70020476	1	Bushing	
1	70026253	1	Kit, Seal (includes items 101 thru 110)	
101	Kit	2	Bearing	
102	Kit	1	O-Ring	
103	Kit	1	Ring, Back-Up	
104	Kit	1	Seal, Rod	
105	Kit	1	O-Ring	
106	Kit	1	Wiper	
107	Kit	1	Bearing	
108	Kit	1	Seal, Piston	
109	Kit	1	O-Ring	
110	Kit	1	Ring, Back-Up	

# SECTION 9 - HYDRAULIC COMPONENTS

FIGURE 9-21. CYLINDER & FITTINGS ASSEMBLY - TILT (1055)



ART\_1001196455-C

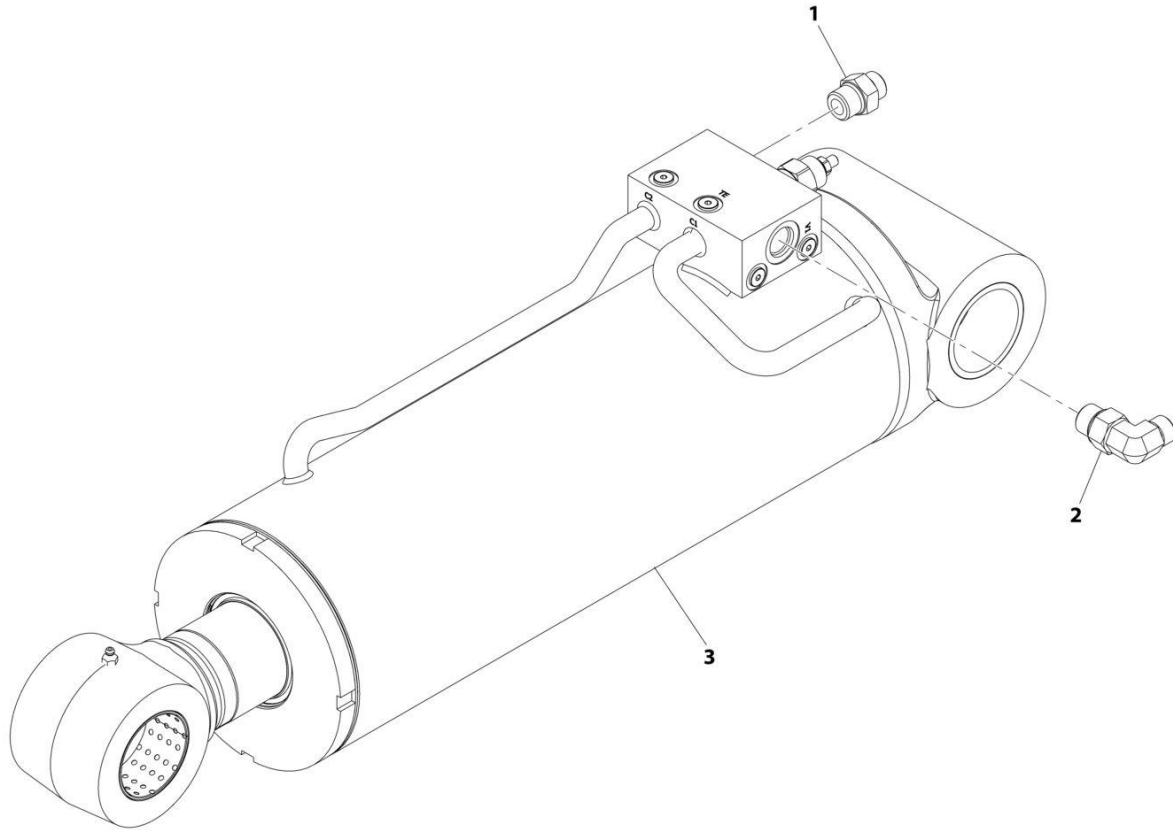
## SECTION 9 - HYDRAULIC COMPONENTS

FIGURE 9-21. CYLINDER & FITTINGS ASSEMBLY - TILT (1055)

ITEM	PART NUMBER	QTY	DESCRIPTION	REV
	1001196455	Ref	Tilt Cylinder Installation - 1055	C
1	2110810	1	Fitting, Straight ORFS	
2	2130810	1	Fitting, 90 ORFS	
3	1001228069	1	Tilt Cylinder (See Separate Breakdown in this Section)	

# SECTION 9 - HYDRAULIC COMPONENTS

FIGURE 9-22. CYLINDER & FITTINGS ASSEMBLY - TILT (1255)



ART\_1001196454-D

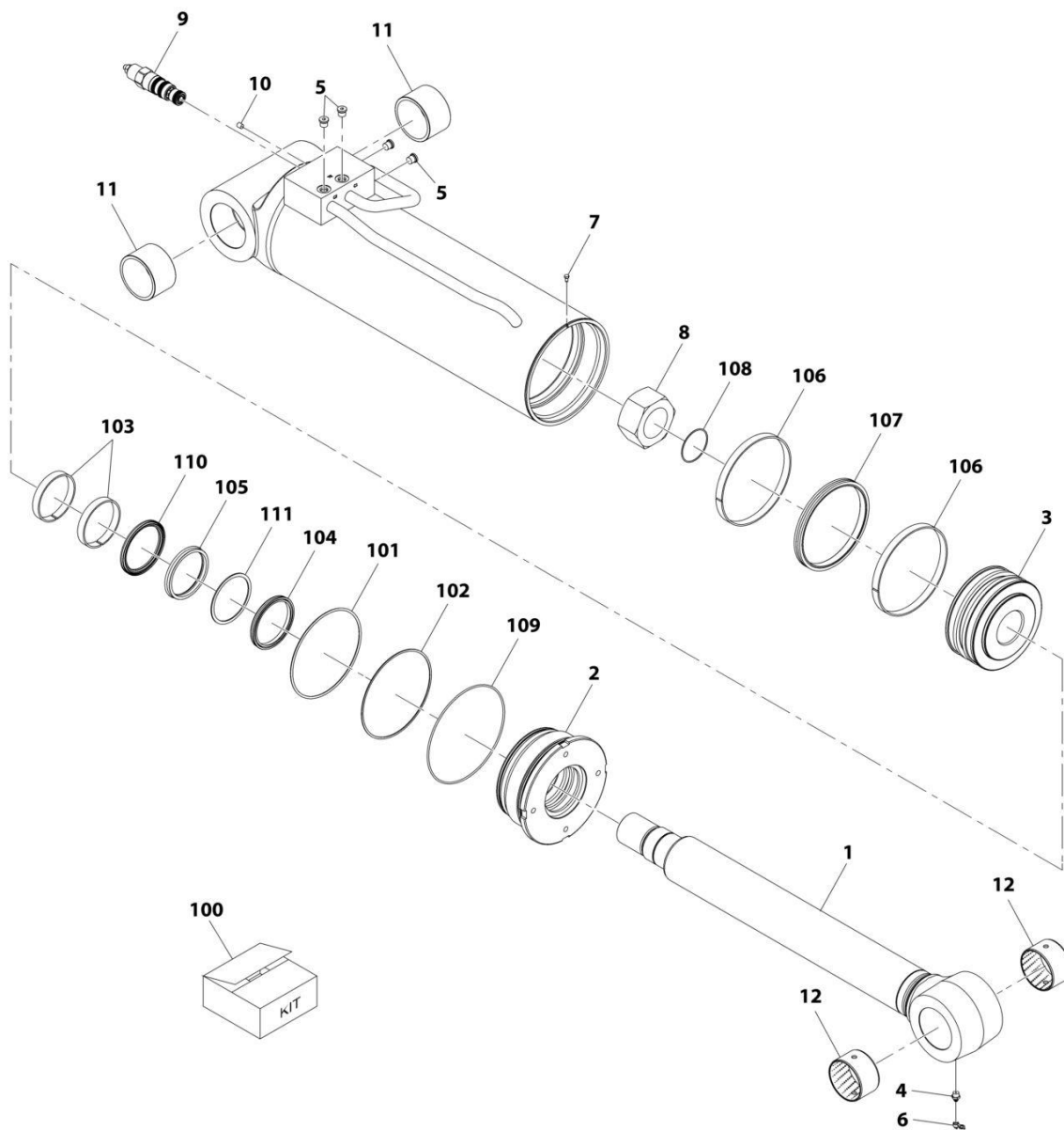
## SECTION 9 - HYDRAULIC COMPONENTS

FIGURE 9-22. CYLINDER & FITTINGS ASSEMBLY - TILT (1255)

ITEM	PART NUMBER	QTY	DESCRIPTION	REV
	1001196454	Ref	Tilt Cylinder Installation - 1255	D
1	2110810	1	Fitting, Straight ORFS	
2	2130810	1	Fitting, Straight ORFS	
3	1001251068	1	Tilt Cylinder (See Separate Breakdown in this Section)	

# SECTION 9 - HYDRAULIC COMPONENTS

## FIGURE 9-23. CYLINDER ASSEMBLY - TILT (1055)



ART\_1001228069-C

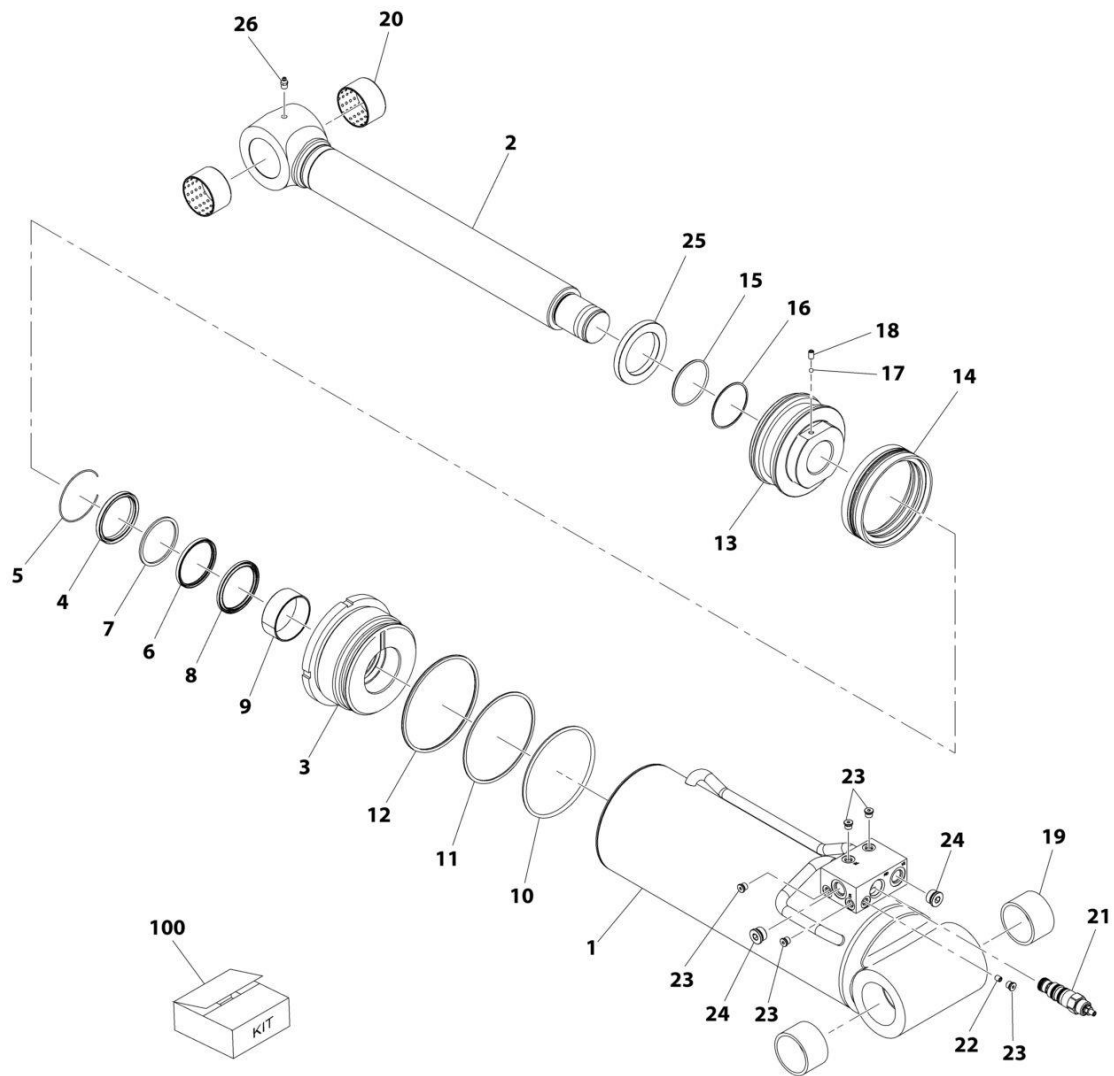
## SECTION 9 - HYDRAULIC COMPONENTS

**FIGURE 9-23. CYLINDER ASSEMBLY - TILT (1055)**

ITEM	PART NUMBER	QTY	DESCRIPTION	REV
	1001228069	Ref	Tilt Cylinder	C
1	70029031	1	Rod	
2	70029032	1	Gland	
3	70029033	1	Piston	
4	2160016	1	Fitting, Grease	
5	2220883	5	Plug	
6	8887145	1	Cap, Grease Fitting	
7	1001125137	1	Screw, Self Tapping	
8	1001122453	1	Nut, Lock	
9	1001189888	1	Valve, Counterbalance	
10	1001163267	1	Plug	
11	1001163844	2	Bearing	
12	1001163149	2	Bearing	
100	1001162126	1	Kit, Seal	
101	Kit	1	O-Ring	
102	Kit	1	Ring, Back-Up	
103	Kit	2	Ring, Wear	
104	Kit	1	Wiper, Rod	
105	Kit	1	Seal, Rod	
106	Kit	2	Ring, Piston Wear	
107	Kit	1	Seal	
108	Kit	1	O-Ring	
109	Kit	1	O-Ring	
110	Kit	1	Seal, Rod Buffer	
111	Kit	1	Ring, Back-Up	

# SECTION 9 - HYDRAULIC COMPONENTS

## FIGURE 9-24. CYLINDER ASSEMBLY - TILT (1255)



ART\_1001251068-A



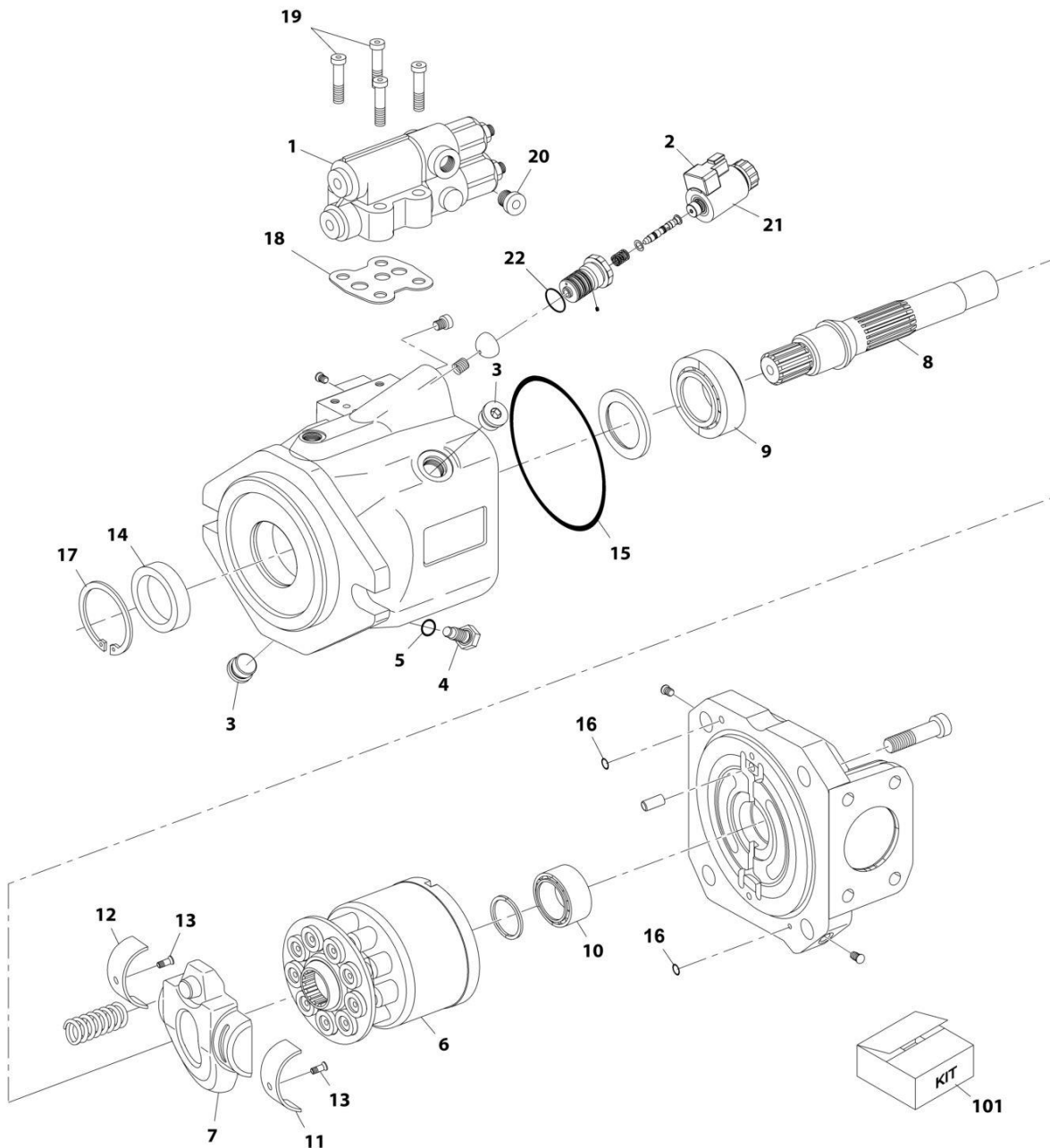
## SECTION 9 - HYDRAULIC COMPONENTS

### FIGURE 9-24. CYLINDER ASSEMBLY - TILT (1255)

ITEM	PART NUMBER	QTY	DESCRIPTION	REV
	1001251068	Ref	Tilt Cylinder	A
1	N.S.S.	1	Barrel	
2	70029465	1	Rod	
3	70029466	1	Head	
4	N.S.S.	1	Dust Wiper	
5	70023379	1	Ring, Retaining	
6	N.S.S.	1	Seal, Rod	
7	N.S.S.	1	Ring, Backup	
8	N.S.S.	1	Ring, Buffer	
9	70026302	1	Bearing, Dry	
10	N.S.S.	1	O-Ring	
11	N.S.S.	1	Ring, Backup	
12	N.S.S.	1	O-Ring	
13	70028467	1	Piston	
14	N.S.S.	1	Seal, Piston	
15	N.S.S.	1	O-Ring	
16	N.S.S.	1	Ring, Backup	
17	70022564	1	Steel Ball	
18	70029468	1	Screw	
19	1001163844	2	Bearing	
20	70027753	2	Bearing	
21	1001189888	1	Valve, Counterbalance	
22	70029507	1	Orifice	
23	2220883	5	Plug	
24	70005433	2	Plug	
25	70029508	1	Spacer	
26	70029469	1	Grease Nipple	
100	70029470	1	Kit, Seal (includes items 4, 6 thru 8, 10 thru 12 & 14 thru 16)	

# SECTION 9 - HYDRAULIC COMPONENTS

## FIGURE 9-25. PUMP ASSEMBLY - PISTON



ART\_1001168376-B

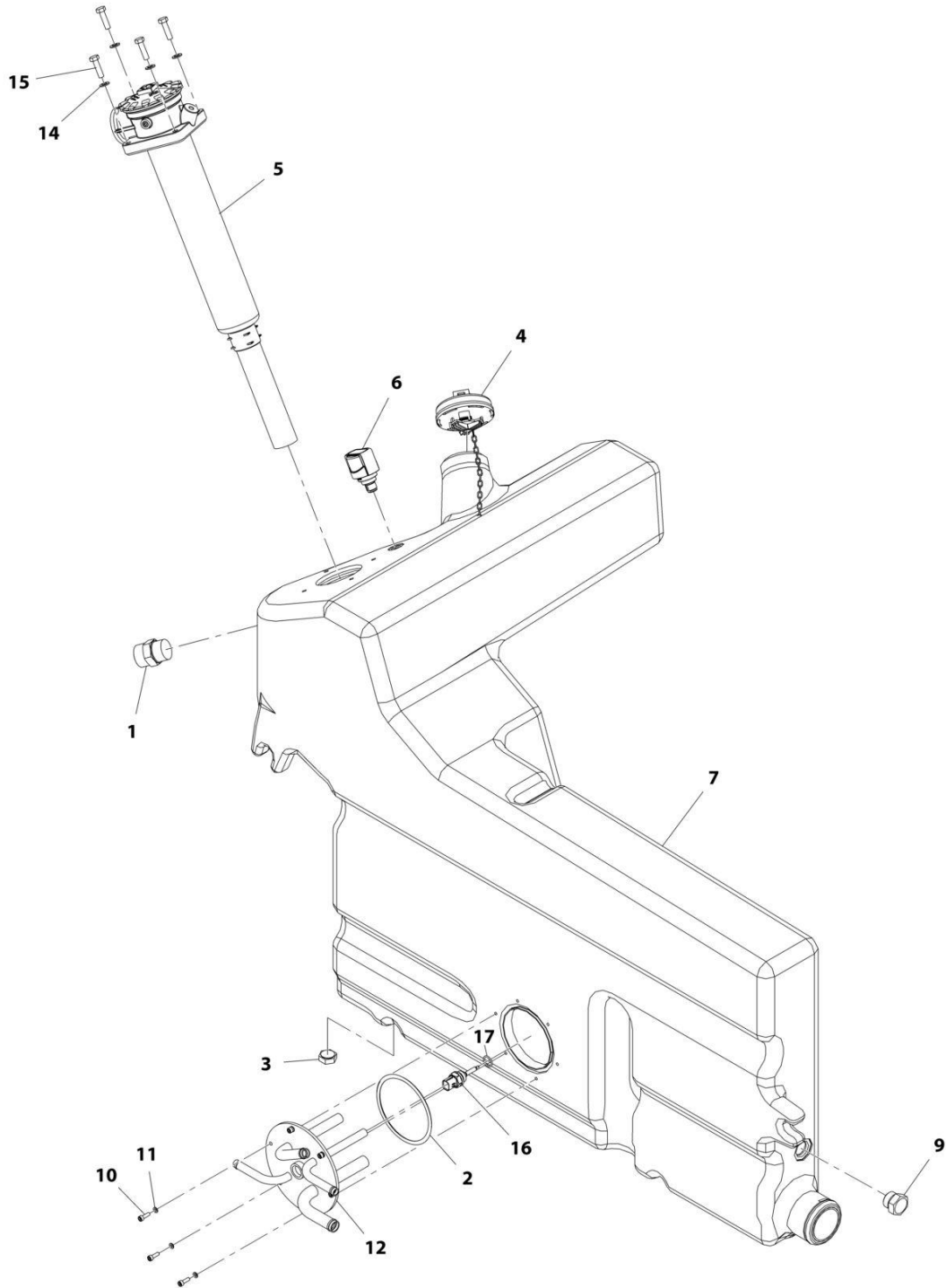
## SECTION 9 - HYDRAULIC COMPONENTS

### FIGURE 9-25. PUMP ASSEMBLY - PISTON

ITEM	PART NUMBER	QTY	DESCRIPTION	REV
	1001182279	Ref	Piston Pump	B
1	70026572	1	Valve, Control	
2	70024186	1	Valve, Control	
3	70024407	2	Plug	
4	70024408	1	Screw, Stop	
5	Kit	1	O-Ring	
6	70024188	1	Group, Rotary	
7	70026583	1	Plate, Swash	
8	7024939	1	Shaft, Drive	
9	7024943	1	Bearing, Front	
10	7024944	1	Bearing, Rear	
11	70024414	1	Liner, Bearing	
12	70024415	1	Liner, Bearing	
13	7024953	2	Screw, M5X16	
14	80634004	1	Seal, Shaft	
15	Kit	1	O-Ring	
16	Kit	2	Sing, Seal	
17	80334277	1	Ring, Safety	
18	70021867	1	Gasket	
19	7024954	4	Screw, M6X30	
20	70024416	1	Plug	
21	70025897	1	Solenoid	
22	Kit	1	O-Ring	
101	70024189	1	Kit, Seal (includes items 5, 15 thru 16 & 22)	

# SECTION 9 - HYDRAULIC COMPONENTS

## FIGURE 9-26. TANK ASSEMBLY - HYDRAULIC



ART\_1001163067-O

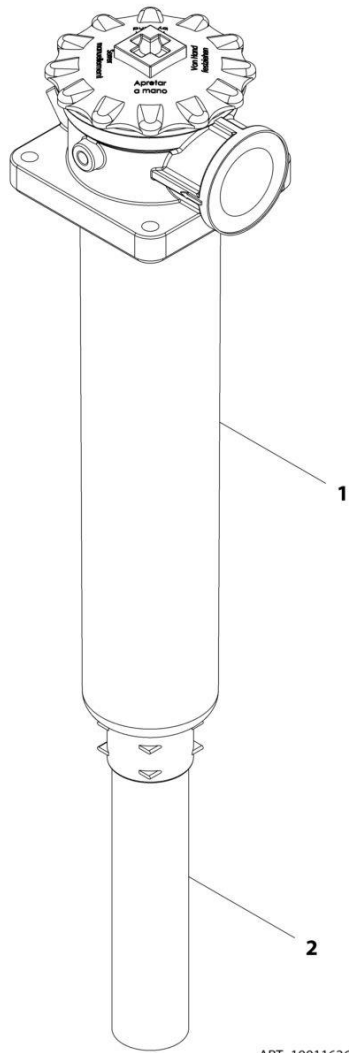
## SECTION 9 - HYDRAULIC COMPONENTS

**FIGURE 9-26. TANK ASSEMBLY - HYDRAULIC**

ITEM	PART NUMBER	QTY	DESCRIPTION	REV
	1001163067	Ref	Hydraulic Tank	O
1	2111616	1	Fitting, Straight ORFS	
2	1001003301	1	Seal O-Ring	
3	2220239	1	Plug	
4	1001194981	1	Cap	
5	1001162660	1	Filter Assembly (See Separate Breakdown in this Section)	
6	1001162662	1	Filter, Breather	
7	1001162765	1	Tank	
9	2220240	1	Adapter	
10	4031607	6	Screw, M5-0.8X16	
11	4831600	6	Washer, Lock M5	
12	1001167281	1	Manifold, Hydraulic Return	
14	4811900	4	Washer, M8	
15	0700814	4	Bolt, M8X30	
16	1001128478	1	Sensor	
17	1001009163	1	Seal	

# SECTION 9 - HYDRAULIC COMPONENTS

FIGURE 9-27. TANK FILTER ASSEMBLY - HYDRAULIC



ART\_1001162660-C

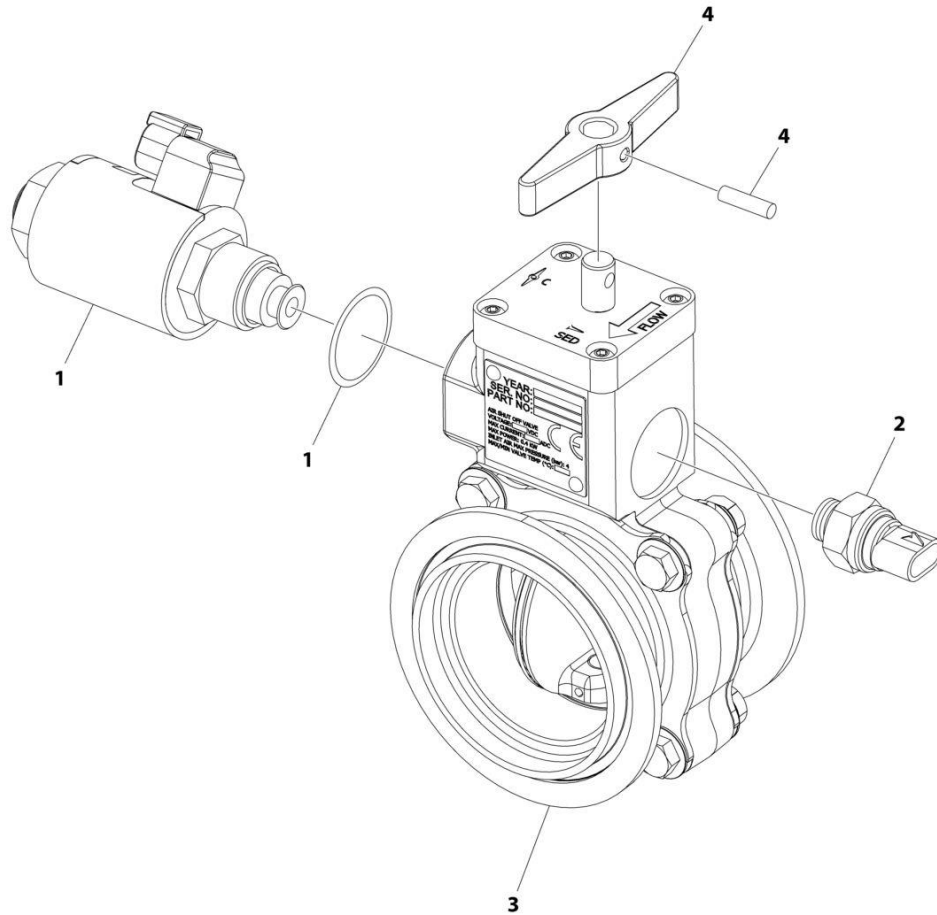
## SECTION 9 - HYDRAULIC COMPONENTS

FIGURE 9-27. TANK FILTER ASSEMBLY - HYDRAULIC

ITEM	PART NUMBER	QTY	DESCRIPTION	REV
1	1001162660	Ref	Hydraulic Filter	C
	1001162661	1	Filter	
	1001162663	1	Element, Filter	
2	1001162667	1	Pipe, Filter Return	

# SECTION 9 - HYDRAULIC COMPONENTS

## FIGURE 9-28. VALVE ASSEMBLY - AIR SHUT OFF



ART\_1001204032\_C



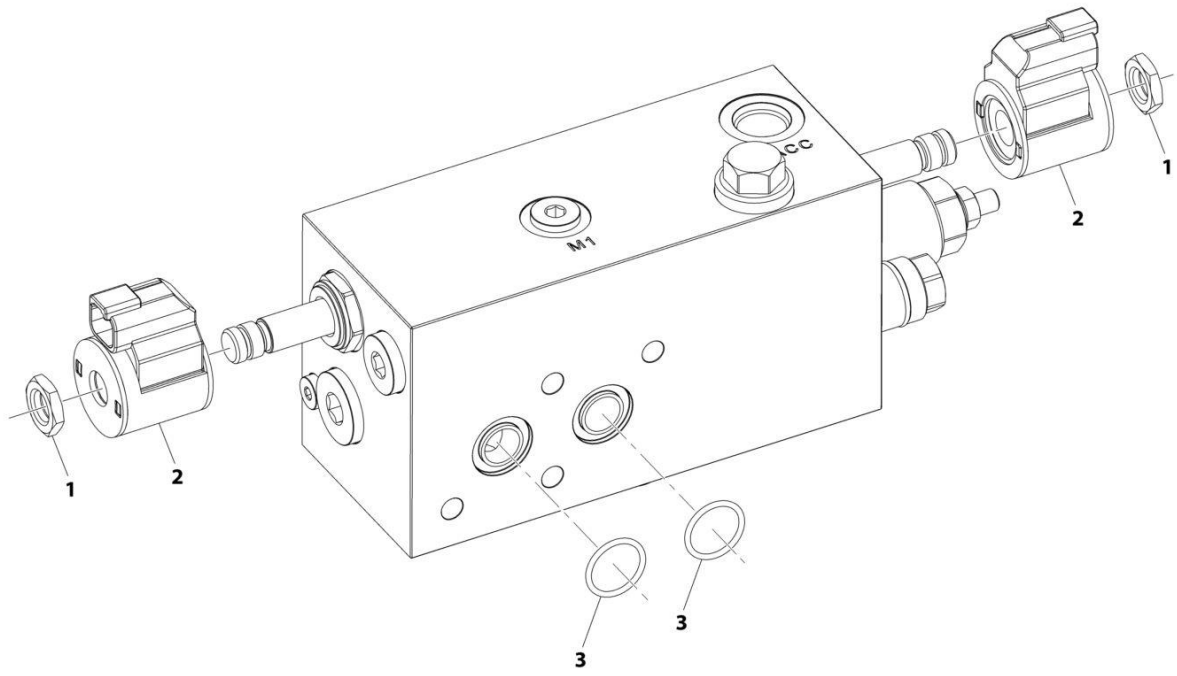
## SECTION 9 - HYDRAULIC COMPONENTS

FIGURE 9-28. VALVE ASSEMBLY - AIR SHUT OFF

ITEM	PART NUMBER	QTY	DESCRIPTION	REV
	1001204032	Ref	Air Shut Off Valve	C
1	70028514	1	Kit, Solenoid 12V (Includes Solenoid, Coil, O-Ring)	
2	70028515	1	Kit, Switch (Includes Ball Switch & O-Ring)	
3	70028516	1	Kit, Flange and Hardware (Includes Flanges (Male & Female) & Mounting Hardware)	
4	70028517	1	Kit, Handle (Includes Handle & Pin)	

# SECTION 9 - HYDRAULIC COMPONENTS

## FIGURE 9-29. VALVE ASSEMBLY - COUNTERBALANCE



ART\_1001227056-D

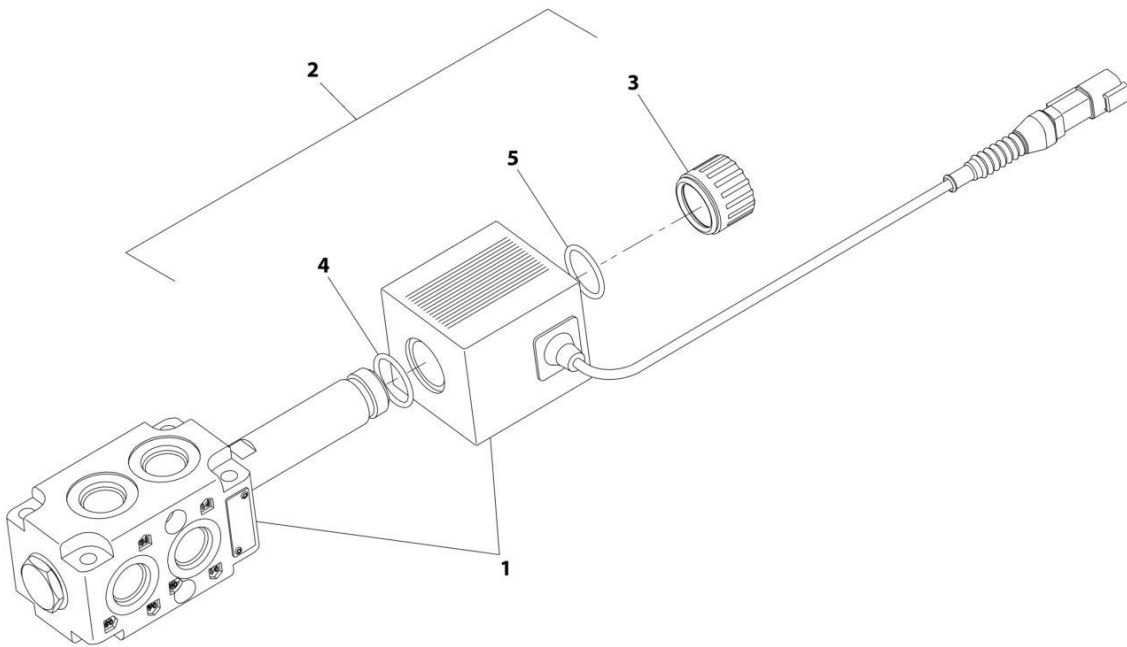
## SECTION 9 - HYDRAULIC COMPONENTS

FIGURE 9-29. VALVE ASSEMBLY - COUNTERBALANCE

ITEM	PART NUMBER	QTY	DESCRIPTION	REV
	1001227056	Ref	Counterbalance Valve Hydraulic Lines (Lift - Ride Control)	D
1	7022390	2	Nut	
2	70028281	2	Coil	
3	70028453	2	O-Ring	

# SECTION 9 - HYDRAULIC COMPONENTS

FIGURE 9-30. VALVE ASSEMBLY - COUPLER DIVERTER



ART\_1001104477-D

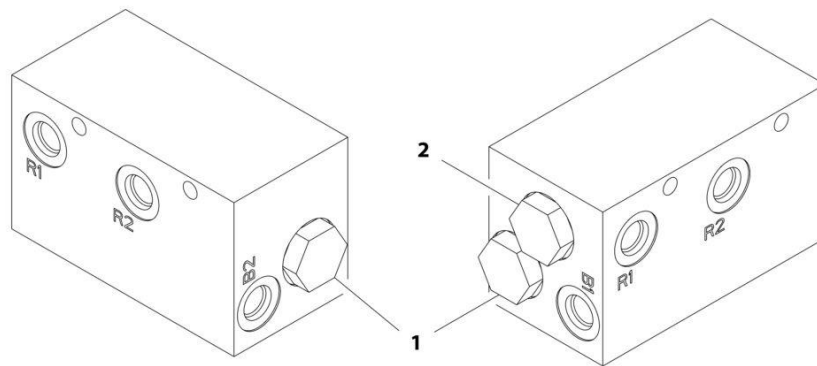
## SECTION 9 - HYDRAULIC COMPONENTS

FIGURE 9-30. VALVE ASSEMBLY - COUPLER DIVERTER

ITEM	PART NUMBER	QTY	DESCRIPTION	REV
	1001104477	Ref	Divertor Valve	D
1	70020764	1	Coil	
2	70021531	1	Kit, Retainer	
3	Kit	1	Nut	
4	Kit	1	O-Ring	
5	Kit	1	O-Ring	

# SECTION 9 - HYDRAULIC COMPONENTS

FIGURE 9-31. VALVE ASSEMBLY - FLOW DIVIDER (CARRIAGE WITH DUAL FORKS)



ART\_4641501-A

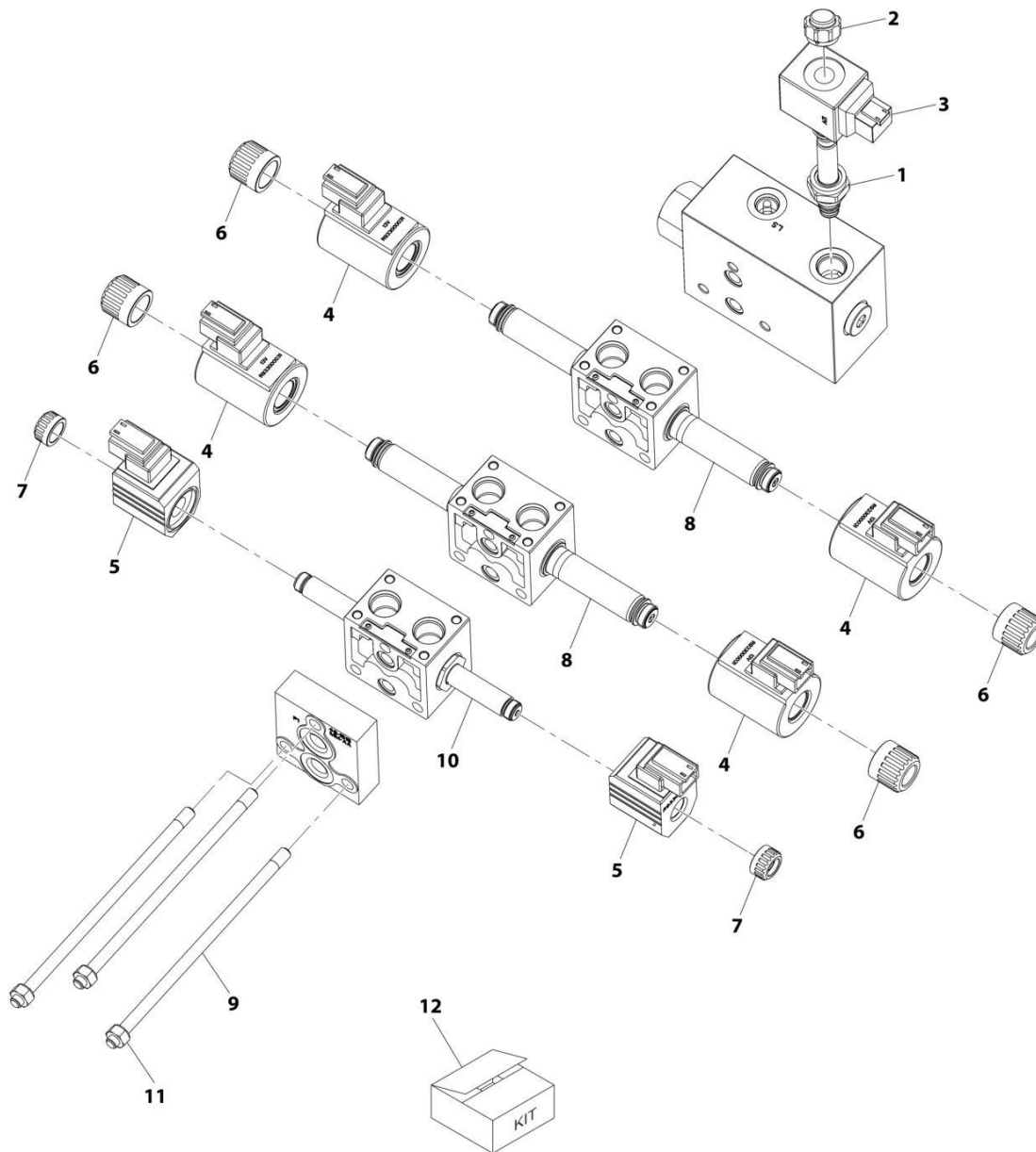
## SECTION 9 - HYDRAULIC COMPONENTS

FIGURE 9-31. VALVE ASSEMBLY - FLOW DIVIDER (CARRIAGE WITH DUAL FORKS)

ITEM	PART NUMBER	QTY	DESCRIPTION	REV
	4641501	Ref	Flow Divider Valve	A
1	70023928	2	Cartridge, PO Check Valve	
2	70023929	1	Cartridge, Valve	

# SECTION 9 - HYDRAULIC COMPONENTS

## FIGURE 9-32. VALVE ASSEMBLY - FRAME & OUTRIGGER



ART\_1001157972-F



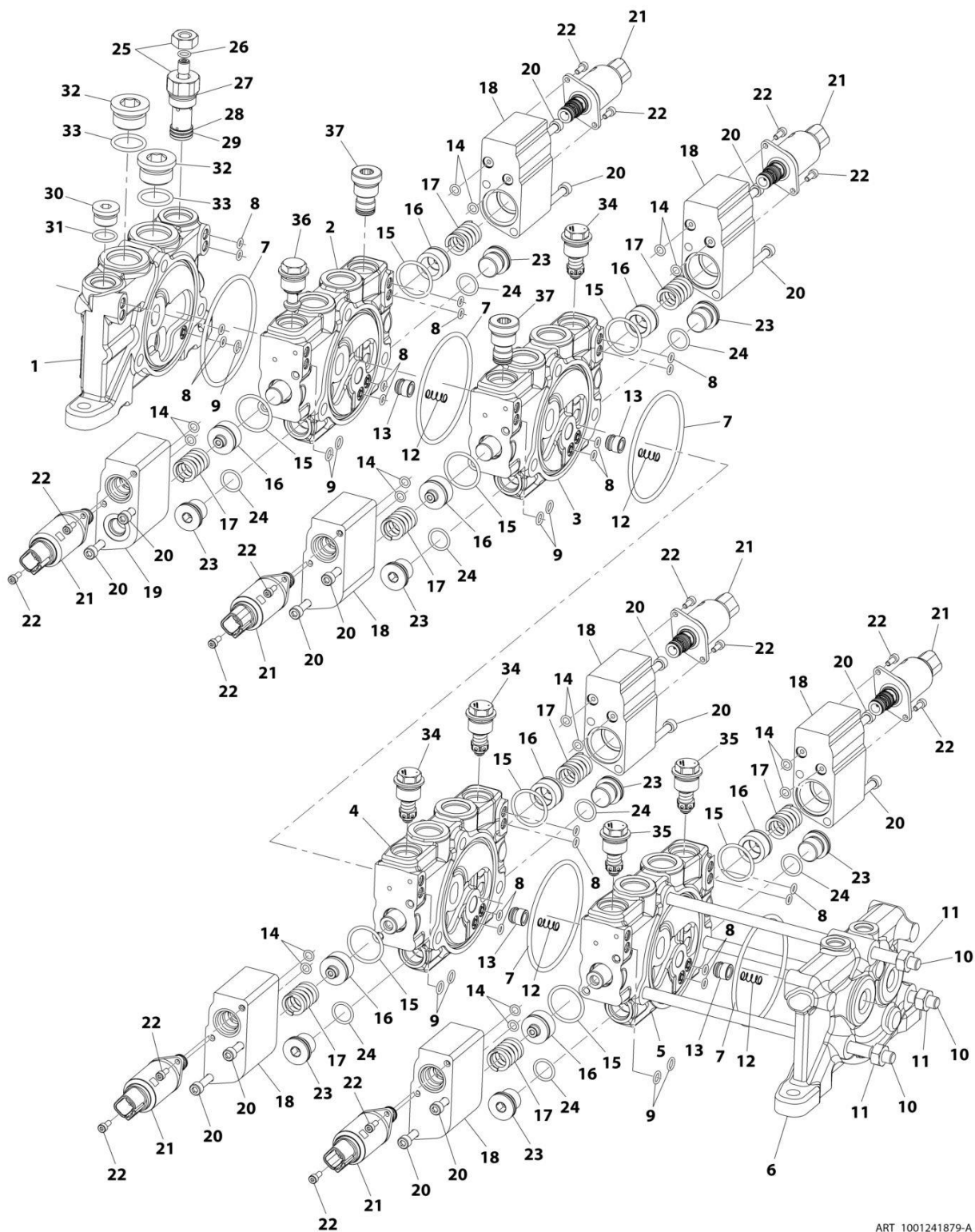
## SECTION 9 - HYDRAULIC COMPONENTS

### FIGURE 9-32. VALVE ASSEMBLY - FRAME & OUTRIGGER

ITEM	PART NUMBER	QTY	DESCRIPTION	REV
	1001157972	Ref	Valve, Frame Level and Outrigger	F
1	70023327	1	Solenoid	
2	70004654	1	Nut, Coil	
3	70022147	1	Coil	
4	70020868	4	Coil	
5	70021208	2	Coil	
6	70020867	4	Kit, Retainer, W/Seals	
7	70021209	2	Kit, Retainer, W/Seals	
8	70026568	2	Section, Outrigger Valve	
9	70026569	3	Rod, Tie	
10	70021213	1	Section, Frame Level	
11	70026570	3	Nut	
12	70026571	1	Kit, Seal	
	Kit	1	O-Ring	
	Kit	1	O-Ring	
	Kit	1	O-Ring	
	Kit	1	O-Ring	
	Kit	1	O-Ring	
	Kit	1	O-Ring	
	Kit	4	O-Ring	
	Kit	4	O-Ring	
	Kit	2	O-Ring	
	Kit	2	O-Ring	

# SECTION 9 - HYDRAULIC COMPONENTS

## FIGURE 9-33. VALVE ASSEMBLY - MAIN CONTROL



ART\_1001241879-A

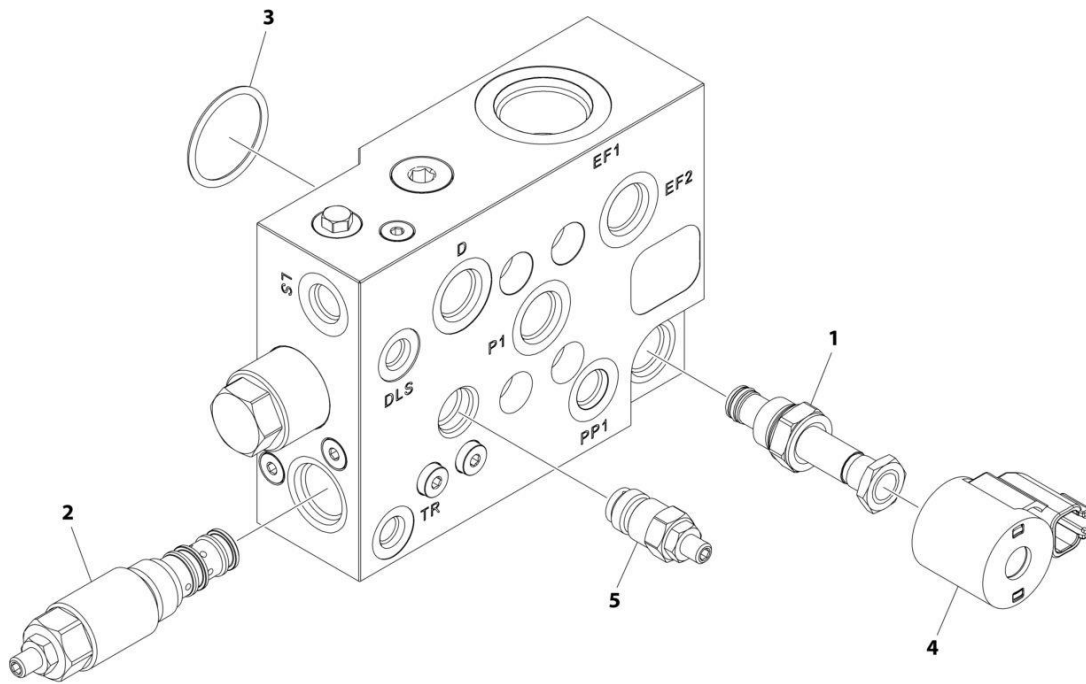
## SECTION 9 - HYDRAULIC COMPONENTS

**FIGURE 9-33. VALVE ASSEMBLY - MAIN CONTROL**

ITEM	PART NUMBER	QTY	DESCRIPTION	REV
	1001241879	Ref	Main Control Valve	A
1	70028478	1	Inlet Section Assembly	
2	70029816	1	Lift Section Assembly	
3	70029817	1	Extend/Retract Section Assembly	
4	70029818	1	Tilt Section Assembly	
5	70029819	1	Aux Section Assembly	
6	70026389	1	Outlet Section Assembly	
7	8034697	5	O-Ring	
8	70050508	20	O-Ring	
9	70050507	9	O-Ring	
10	70026375	3	Tie Rod	
11	70050481	6	Nut-Metric	
12	10837937	4	Spring	
13	10837929	4	Poppet	
14	70026369	16	O-Ring	
15	70026380	8	O-Ring	
16	70026378	8	Spring Seat	
17	70026377	8	Spring	
18	70026381	7	Solenoid, End Cap	
19	70026382	1	Solenoid, End Cap	
20	70026383	16	Screw	
21	70029820	8	Solenoid, Cartridge Valve	
22	70022014	16	Screw	
23	70050504	8	Plug Assembly	
24	70027130	8	O-Ring	
25	70022012	1	Drain Regulator Assembly	
26	70026373	1	O-Ring	
27	10837928	1	O-Ring	
28	70026376	1	Back-Up Ring	
29	70026370	1	O-Ring	
30	8035382	1	Plug Assembly	
31	70024202	1	O-Ring	
32	70050472	2	Plug Assembly (With O-Ring)	
33	70026374	2	O-Ring	
34	70022010	3	Relief Valve Assembly, 280 Bar	
35	70027098	2	Relief Valve Assembly, 205 Bar	
36	70028484	1	Anti-Void Assembly	
37	70022008	2	Shut-Off Plug Assembly	

# SECTION 9 - HYDRAULIC COMPONENTS

FIGURE 9-34. VALVE ASSEMBLY - PRIORITY MANIFOLD VALVE



ART\_1001252567

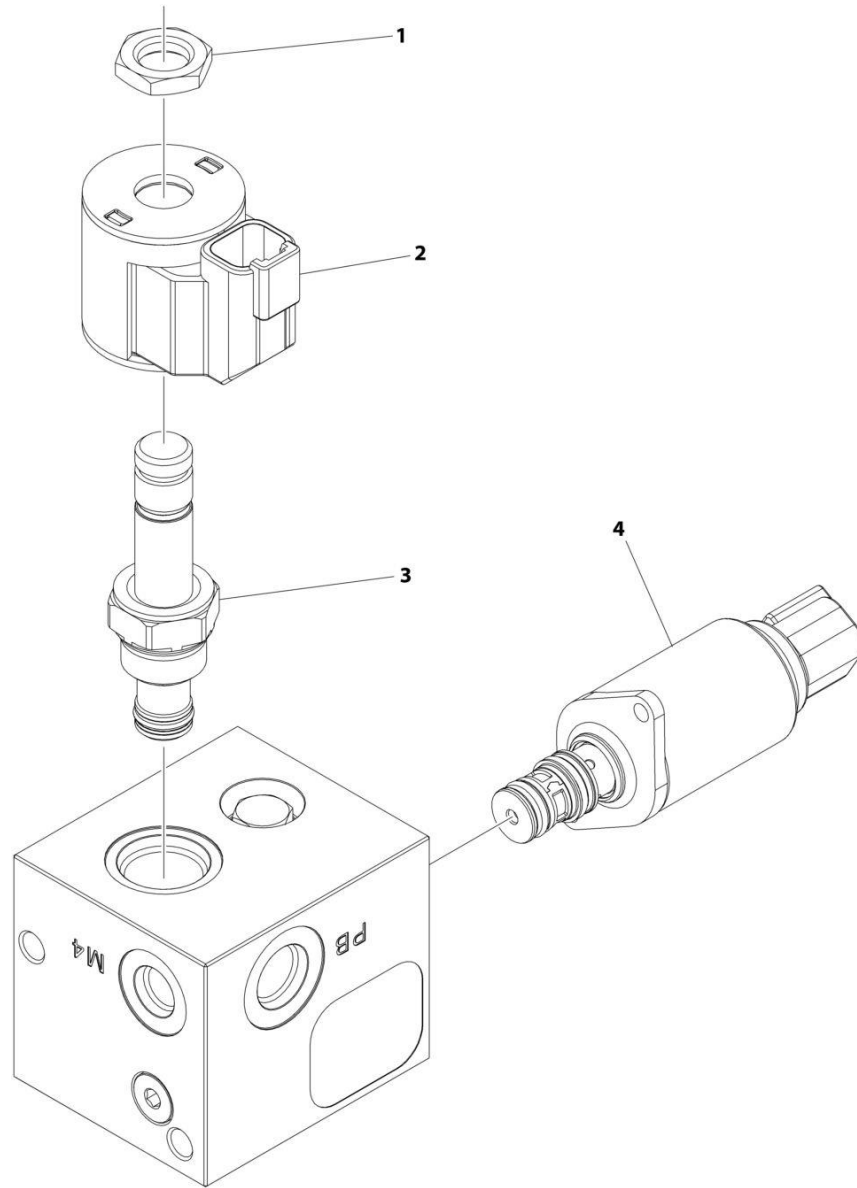
## SECTION 9 - HYDRAULIC COMPONENTS

FIGURE 9-34. VALVE ASSEMBLY - PRIORITY MANIFOLD VALVE

ITEM	PART NUMBER	QTY	DESCRIPTION	REV
	1001252567	Ref	Priority Manifold Valve	D
1	70029976	1	Cartridge	
2	70029977	1	Valve, Check	
3	70030010	1	O-Ring	
4	70002963	1	Coil	
5	70030011	1	Valve, Check	

# SECTION 9 - HYDRAULIC COMPONENTS

## FIGURE 9-35. VALVE ASSEMBLY - SAHR BRAKE



ART\_1001234127\_B

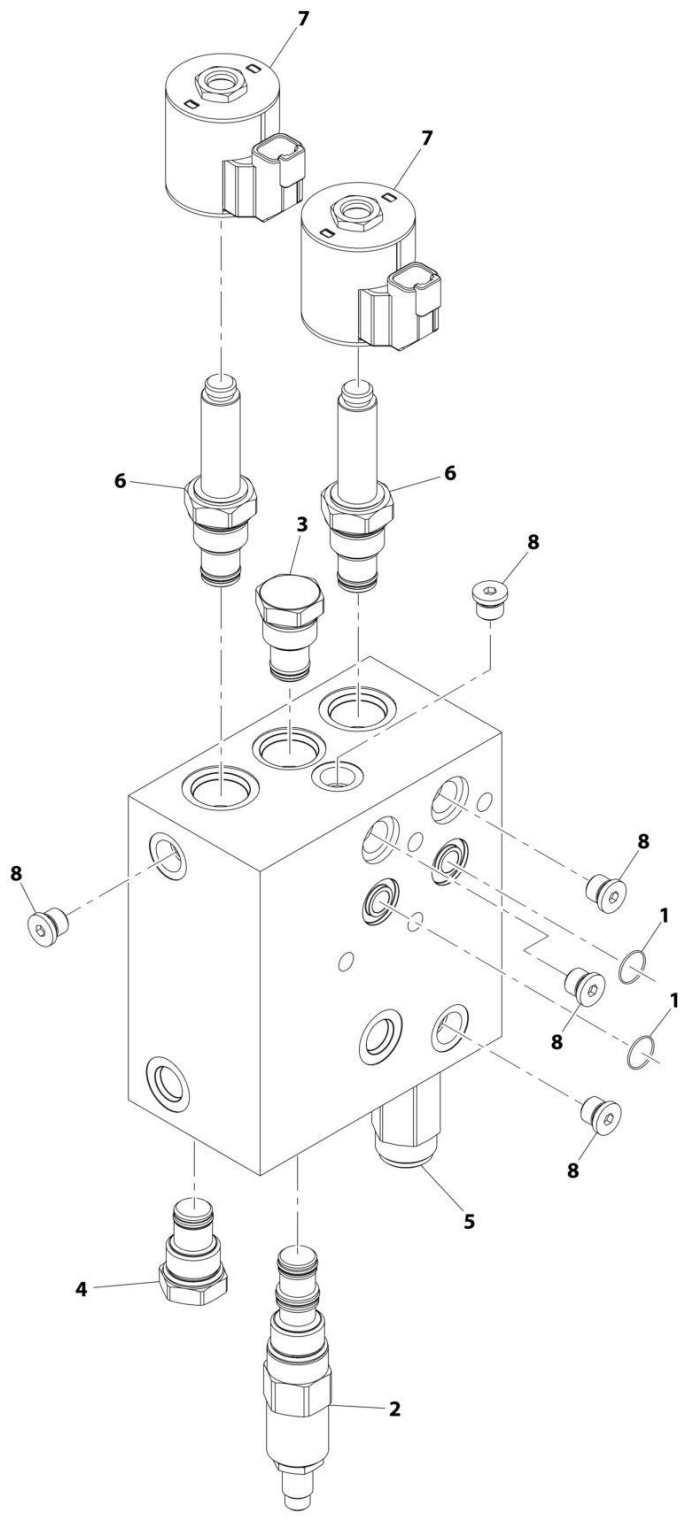
## SECTION 9 - HYDRAULIC COMPONENTS

### FIGURE 9-35. VALVE ASSEMBLY - SAHR BRAKE

ITEM	PART NUMBER	QTY	DESCRIPTION	REV
	1001234127	Ref	Sahr Brake Valve	C
1	7022390	1	Nut	
2	70002963	1	Coil	
3	70002955	1	Cartridge	
4	70030036	1	Solenoid Valve	

# SECTION 9 - HYDRAULIC COMPONENTS

FIGURE 9-36. VALVE ASSEMBLY - STABILIZER (REAR AXLE)



ART\_1001197600-A



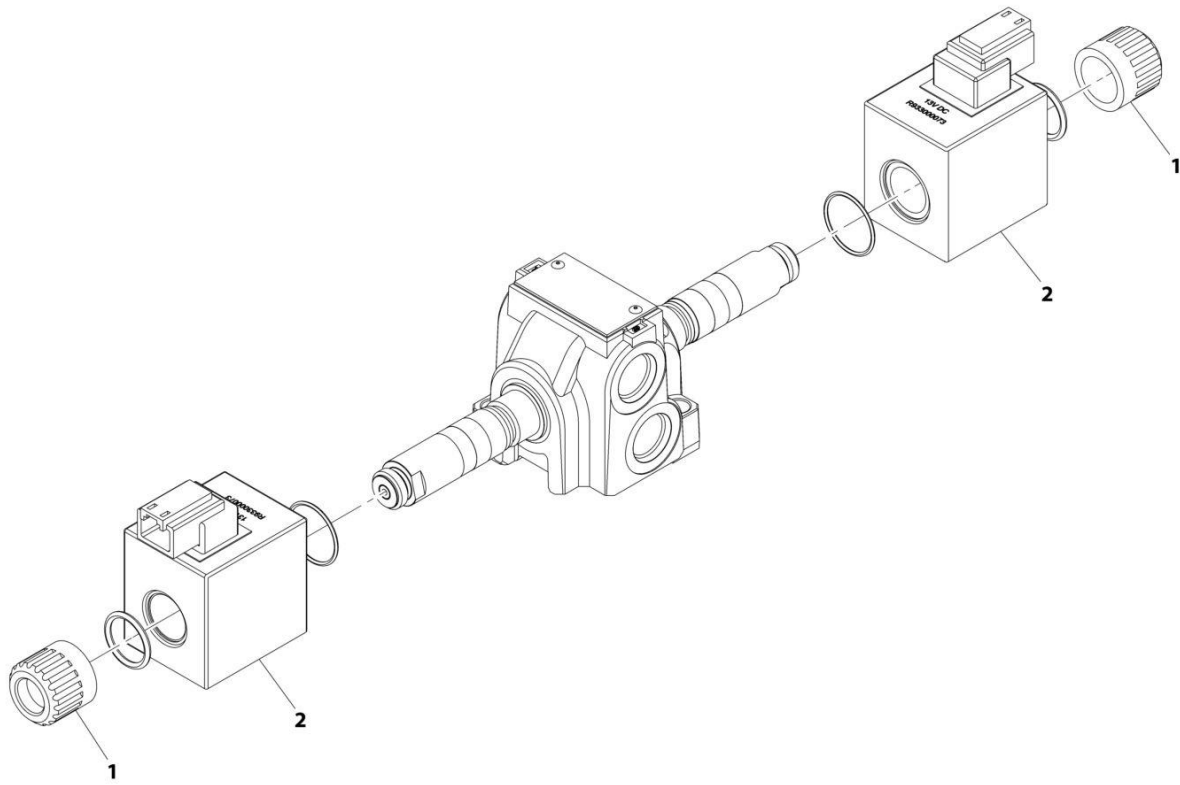
## SECTION 9 - HYDRAULIC COMPONENTS

**FIGURE 9-36. VALVE ASSEMBLY - STABILIZER (REAR AXLE)**

ITEM	PART NUMBER	QTY	DESCRIPTION	REV
	1001197600	Ref	Rear Axle Stabilizer Valve	A
1	70026440	2	O-Ring	
2	70026442	1	Cartridge Valve	
2	7012510	1	Seal Kit	
2	Kit	1	O-Ring	
2	Kit	1	O-Ring	
2	Kit	1	O-Ring	
3	70026443	1	Cartridge Valve	
3	7024808	1	Seal Kit	
3	Kit	1	O-Ring	
3	Kit	1	O-Ring	
4	70026444	1	Cartridge Valve	
4	7022399	1	Seal Kit	
4	Kit	1	O-Ring	
4	Kit	1	O-Ring	
5	70028451	1	Cartridge Valve	
5	7024808	1	Seal Kit	
5	Kit	1	O-Ring	
5	Kit	1	O-Ring	
6	70026445	2	Cartridge Valve	
6	70026446	1	Seal Kit	
6	Kit	1	O-Ring	
7	70003788	2	Coil	
8	2220883	5	Plug	

# SECTION 9 - HYDRAULIC COMPONENTS

## FIGURE 9-37. VALVE ASSEMBLY - STEER VALVE



ART\_1001153748-C

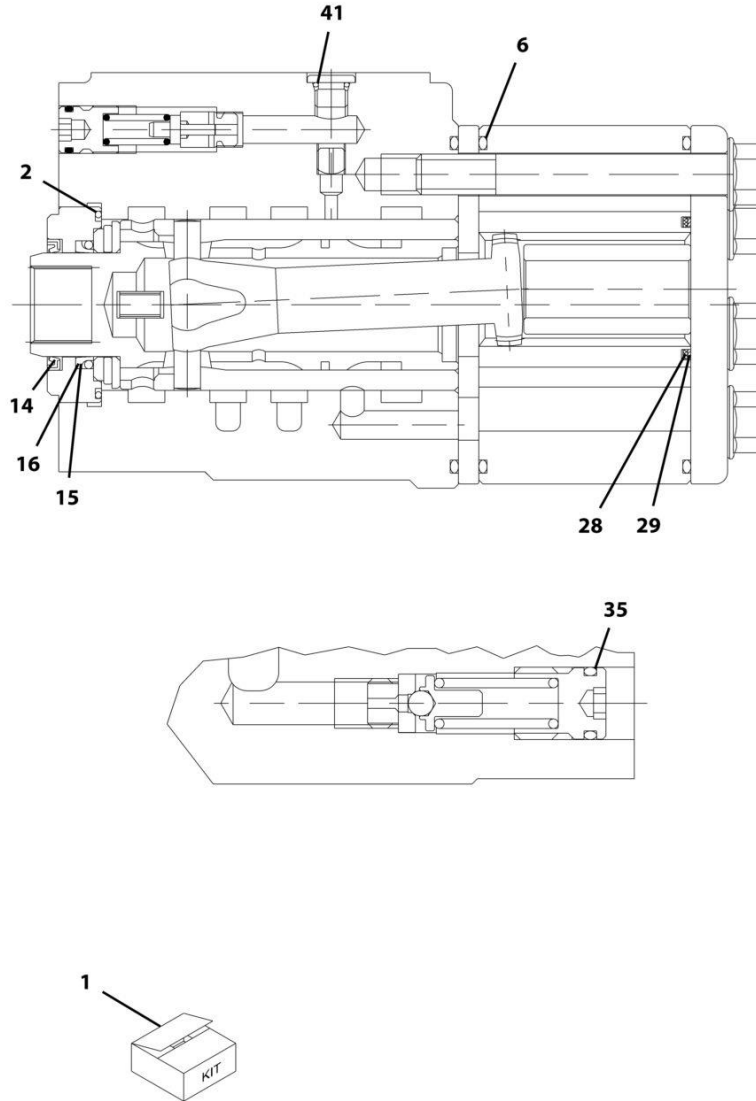
# SECTION 9 - HYDRAULIC COMPONENTS

## FIGURE 9-37. VALVE ASSEMBLY - STEER VALVE

ITEM	PART NUMBER	QTY	DESCRIPTION	REV
	1001153748	Ref	Steering Select Valve	C
1	70020867	2	Nut, Coil	
2	70026582	2	Coil	

# SECTION 9 - HYDRAULIC COMPONENTS

FIGURE 9-38. VALVE ASSEMBLY - STEER VALVE (ORBITAL)



ART\_1001158527-E

## SECTION 9 - HYDRAULIC COMPONENTS

**FIGURE 9-38. VALVE ASSEMBLY - STEER VALVE (ORBITAL)**

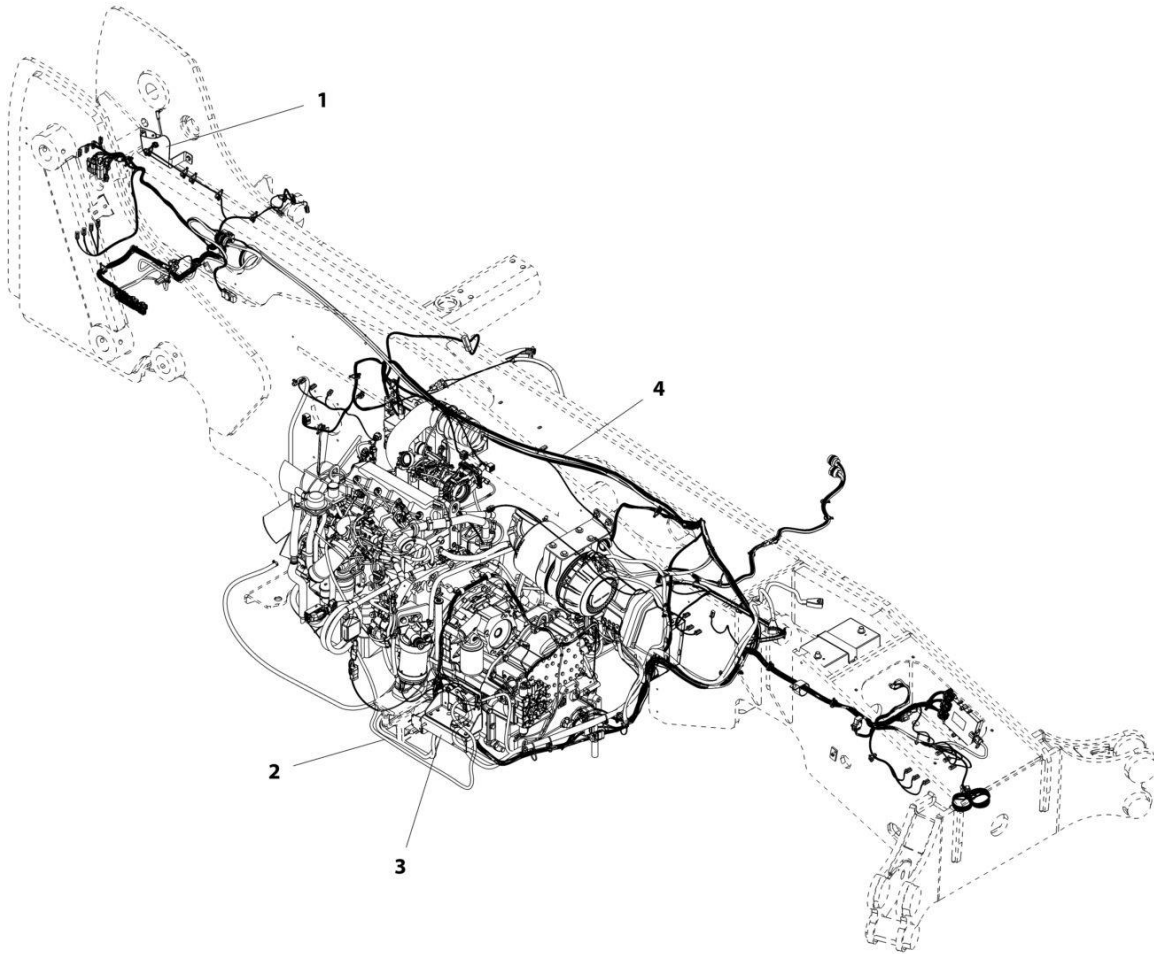
ITEM	PART NUMBER	QTY	DESCRIPTION	REV
	1001158527	1	Steering Orbital Valve	E
1	70026401	1	Kit, Seal (includes items 2 thru 41)	
2	Kit	1	O-Ring	
6	Kit	3	O-Ring	
14	Kit	1	Seal, Dust	
15	Kit	1	O-Ring	
16	Kit	1	Seal, Shaft	
28	Kit	1	Washer, Back-Up	
29	Kit	1	Seal, Ring	
35	Kit	3	O-Ring	
41	Kit	2	O-Ring	



**SECTION 10 - ELECTRICAL**

# SECTION 10 - ELECTRICAL

## FIGURE 10-1. MAIN ELECTRICAL INSTALLATION (ULS)



ART\_1001160438-C



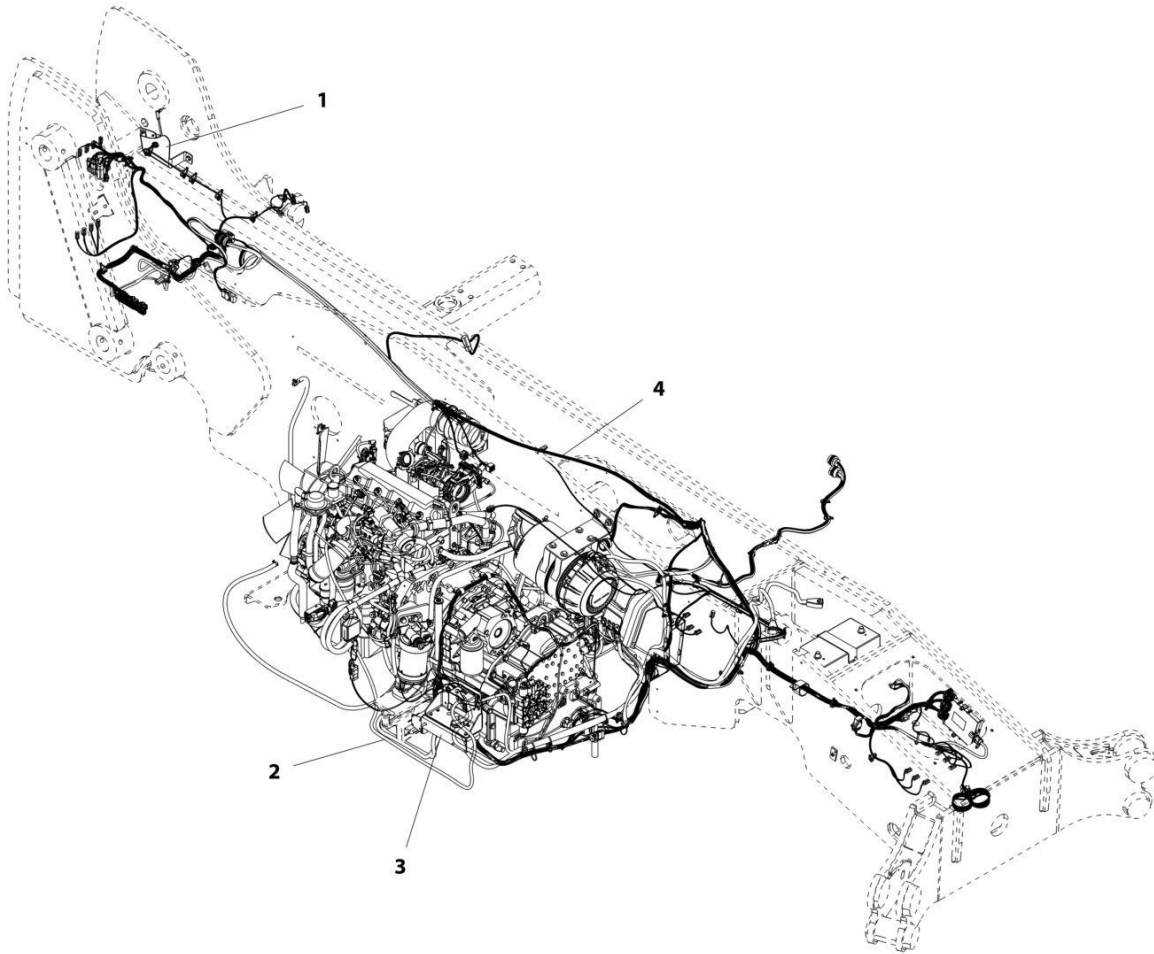
## SECTION 10 - ELECTRICAL

**FIGURE 10-1. MAIN ELECTRICAL INSTALLATION (ULS)**

ITEM	PART NUMBER	QTY	DESCRIPTION	REV
1	1001160438	Ref	Main Electrical Installation (if equipped for ULS)	C
	1001161732	Ref	Installation, Electrical Frame (See Separate Breakdown in this Section)	
2	1001163255	Ref	Installation, Engine Bay Wiring 3.8L Engine (See Separate Breakdown in this Section)	
3	1001163127	Ref	Installation, Electrical Engine Bay (See Separate Breakdown in this Section)	
4	1001164287	Ref	Installation, Frame Wiring (See Separate Breakdown in this Section)	

# SECTION 10 - ELECTRICAL

## FIGURE 10-2. MAIN ELECTRICAL INSTALLATION (LS)



ART\_1001182805-C

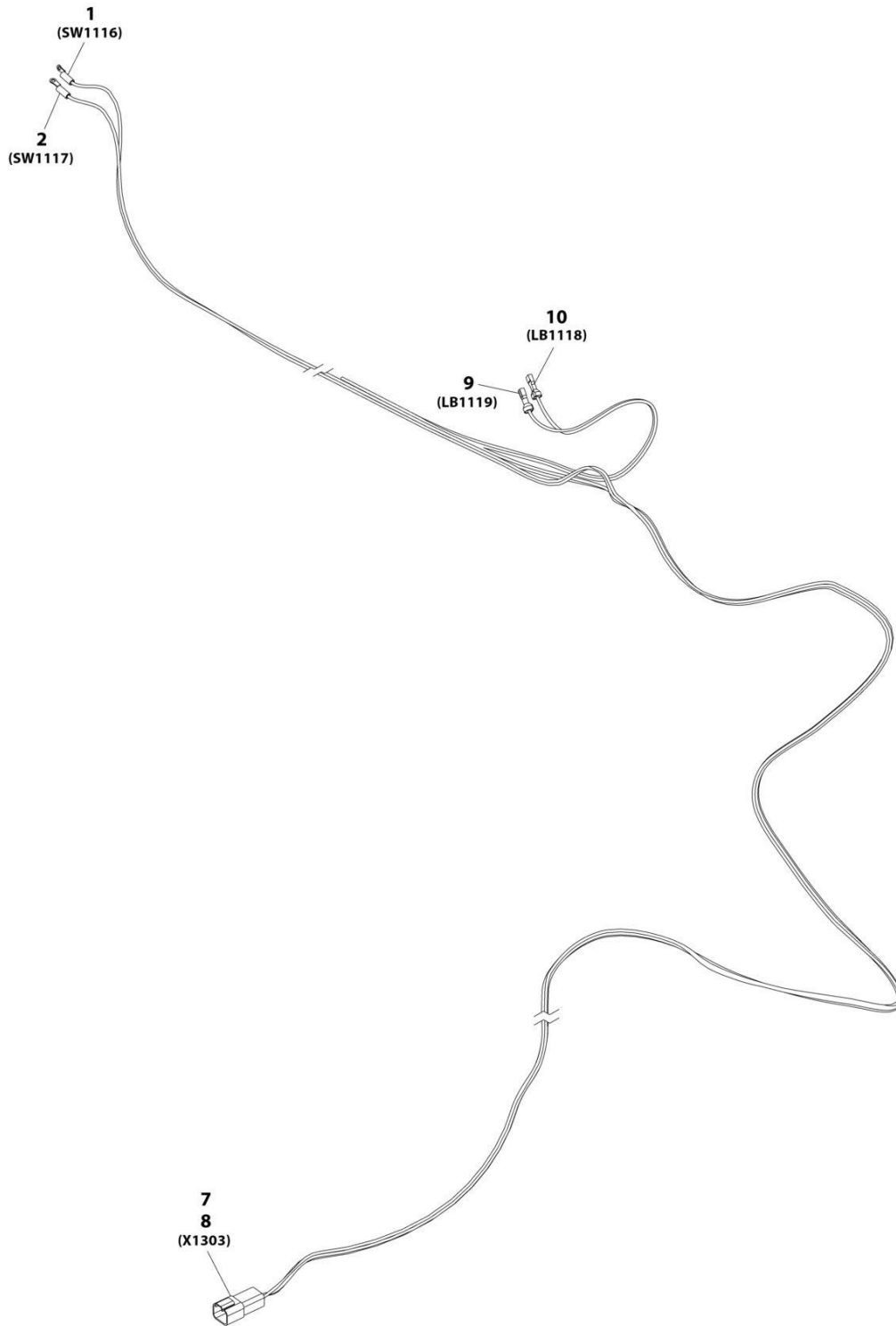
## SECTION 10 - ELECTRICAL

### FIGURE 10-2. MAIN ELECTRICAL INSTALLATION (LS)

ITEM	PART NUMBER	QTY	DESCRIPTION	REV
1	1001182805	Ref	Main Electrical Installation (if equipped for LS)	C
	1001161732	Ref	Installation, Electrical Frame (See Separate Breakdown in this Section)	
2	1001188403	Ref	Installation, Engine Bay Wiring 3.8L (See Separate Breakdown in this Section)	
3	1001185889	Ref	Installation, Electrical Engine Bay (See Separate Breakdown in this Section)	
4	1001182807	Ref	Installation, Frame Wiring (See Separate Breakdown in this Section)	

# SECTION 10 - ELECTRICAL

## FIGURE 10-3. AIR SHUT OFF VALVE HARNESS



ART\_1001231407-C

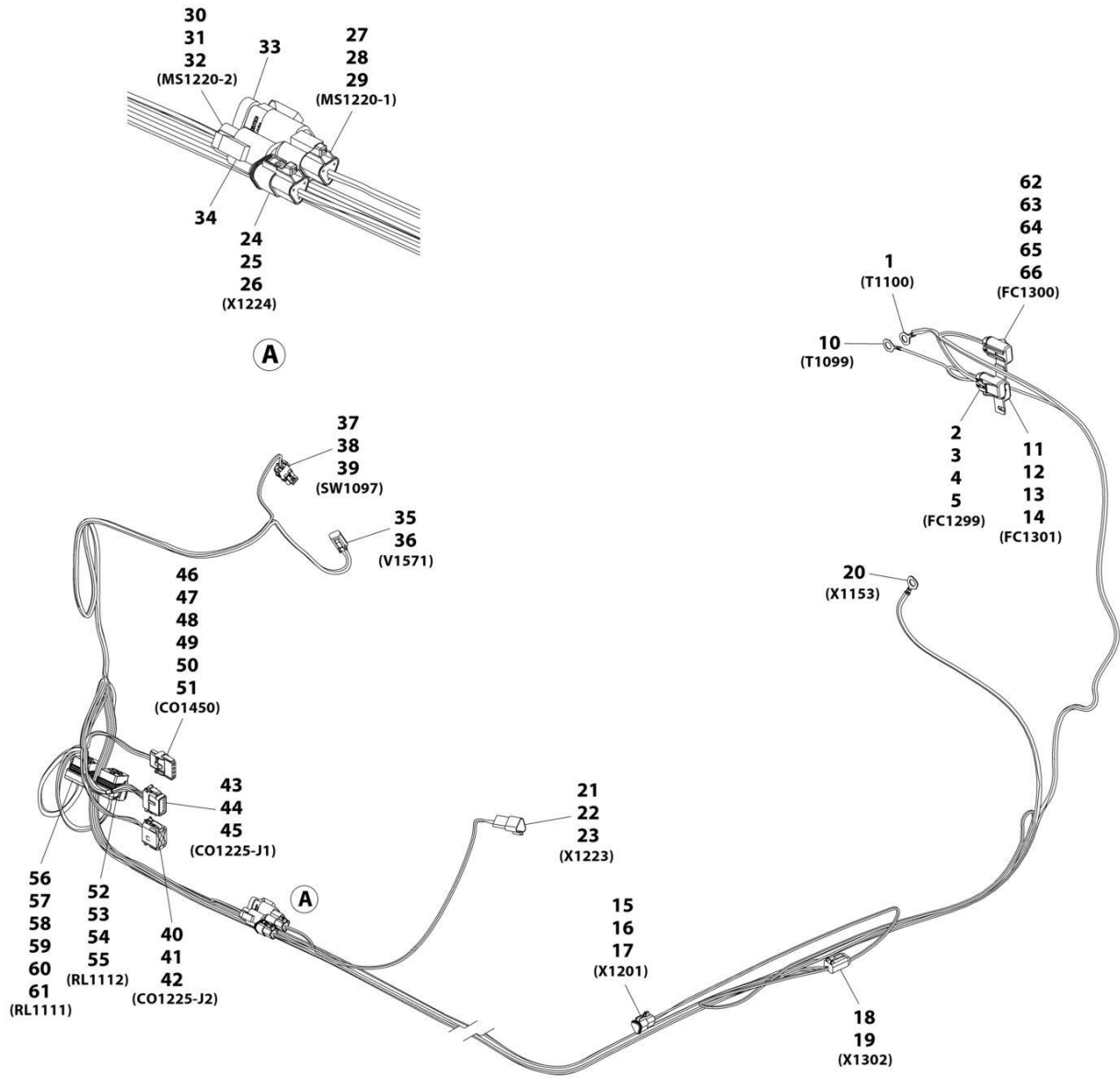
## SECTION 10 - ELECTRICAL

### FIGURE 10-3. AIR SHUT OFF VALVE HARNESS

ITEM	PART NUMBER	QTY	DESCRIPTION	REV
	1001231407	1	Air Shutoff Valve Harness	C
1	8220035	1	Terminal, Ring	
2	8220035	1	Terminal, Ring	
7	4460932	1	Connector	
8	4460464	4	Pin	
9	8220108	1	Connector, Female	
10	8220108	1	Connector, Female	

# SECTION 10 - ELECTRICAL

## FIGURE 10-4. AIR SHUT OFF VALVE HARNESS (ENGINE)



ART\_1001231483\_D

## SECTION 10 - ELECTRICAL

### FIGURE 10-4. AIR SHUT OFF VALVE HARNESS (ENGINE)

ITEM	PART NUMBER	QTY	DESCRIPTION	REV
	1001231483	Ref	Air Shut Off Valve Harness (Engine)	D
1	1001187079	1	Terminal, Ring	
2	1001231397	1	Connector	
3	8229235	1	Fuse, 20amp	
4	1001231401	2	Terminal	
5	1001230402	2	Seal	
10	1001187078	1	Terminal, Ring	
11	1001231397	1	Connector	
12	8229261	1	Fuse, 5amp	
13	1001231400	2	Terminal	
14	1001230403	2	Seal	
15	1001116812	1	Connector	
16	4460465	2	Terminal	
17	4460466	1	Plug	
18	4460884	1	Connector	
19	4460465	4	Terminal	
20	1001187079	1	Terminal, Ring	
21	1001144147	1	Connector	
22	4460464	2	Terminal	
23	4460466	1	Plug	
24	1001116812	1	Connector	
25	4460465	2	Terminal	
26	4460466	1	Plug	
27	1001116812	1	Connector	
28	4460465	2	Terminal	
29	4460466	1	Plug	
30	4460539	1	Connector	
31	4460465	2	Terminal	
32	4460466	1	Plug	
33	1001116815	1	Connector, 3 Pin	
34	4460945	1	Terminal, 3 Way "T" Receptacle	
35	4460891	1	Connector	
36	1001157890	2	Terminal	
37	4460742	1	Connector	
38	4460475	2	Terminal	
39	4460458	2	Plug	
40	1001116774	1	Connector	
41	4460518	8	Plug	
42	1001126008	4	Terminal	
43	1001116808	1	Connector	
44	1001126008	9	Terminal	
45	4460518	3	Plug	
46	4460761	1	Connector	
47	4460321	1	Terminal	
48	1001118378	4	Terminal	
49	4460809	4	Plug	
50	1001143551	1	Seal	
51	1001218358	1	Lanyard Rope	
52	1001231398	1	Connector	
53	1001231400	4	Terminal	

## SECTION 10 - ELECTRICAL

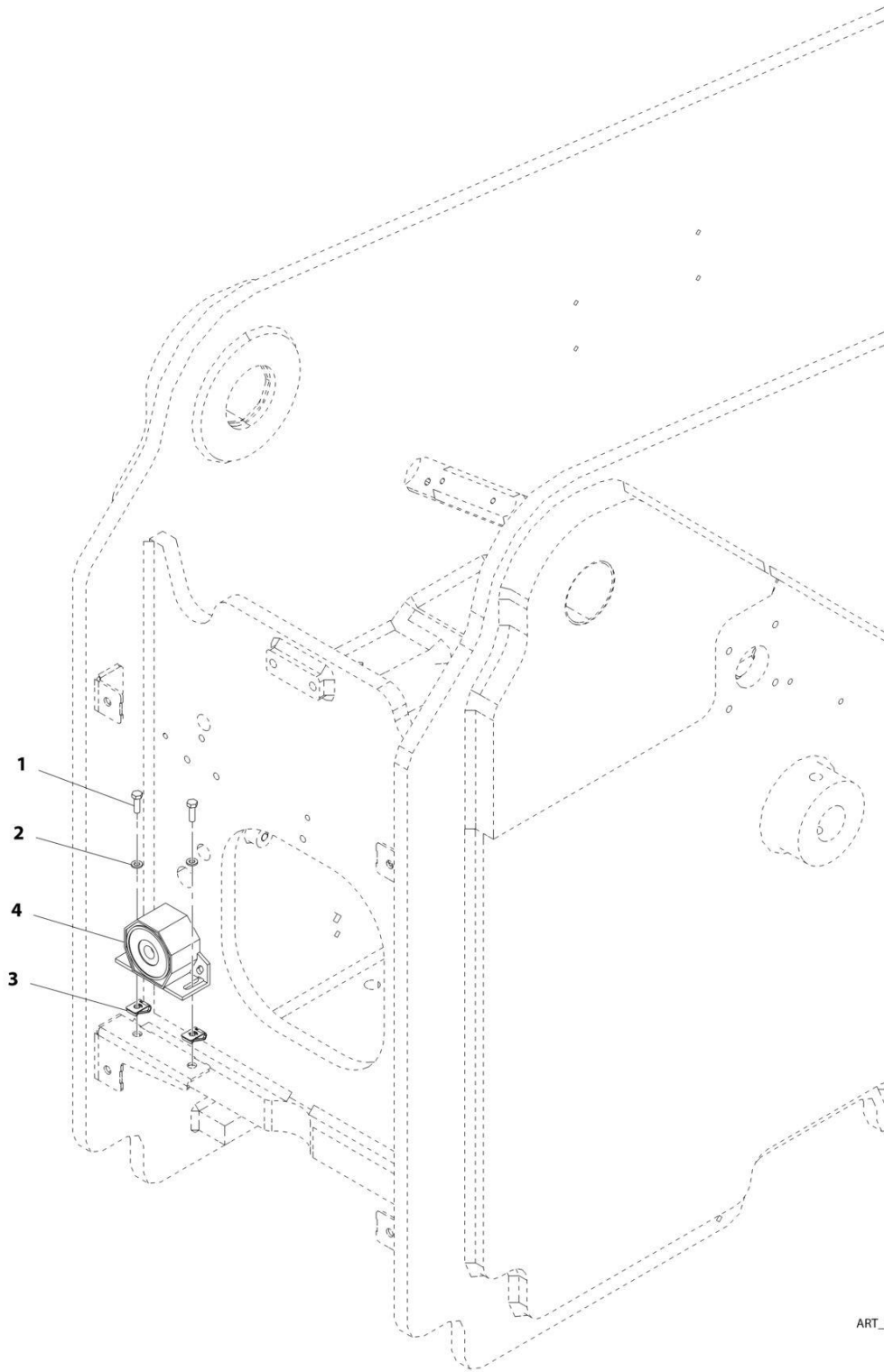
ITEM	PART NUMBER	QTY	DESCRIPTION	REV
54	1001231404	4	Seal	
55	1001231406	1	Plug	
56	1001231398	1	Connector	
57	1001231401	2	Terminal	
58	1001231402	2	Seal	
59	1001231400	2	Terminal	
60	1001231404	2	Seal	
61	1001231406	1	Plug	
62	1001231397	1	Connector	
63	8229234	1	Fuse, 10amp	
64	1001231400	2	Terminal	
65	1001230403	1	Seal	
66	1001230404	1	Seal	





# SECTION 10 - ELECTRICAL

## FIGURE 10-5. ALARM INSTALLATION - BACKUP



ART\_1001192393-D

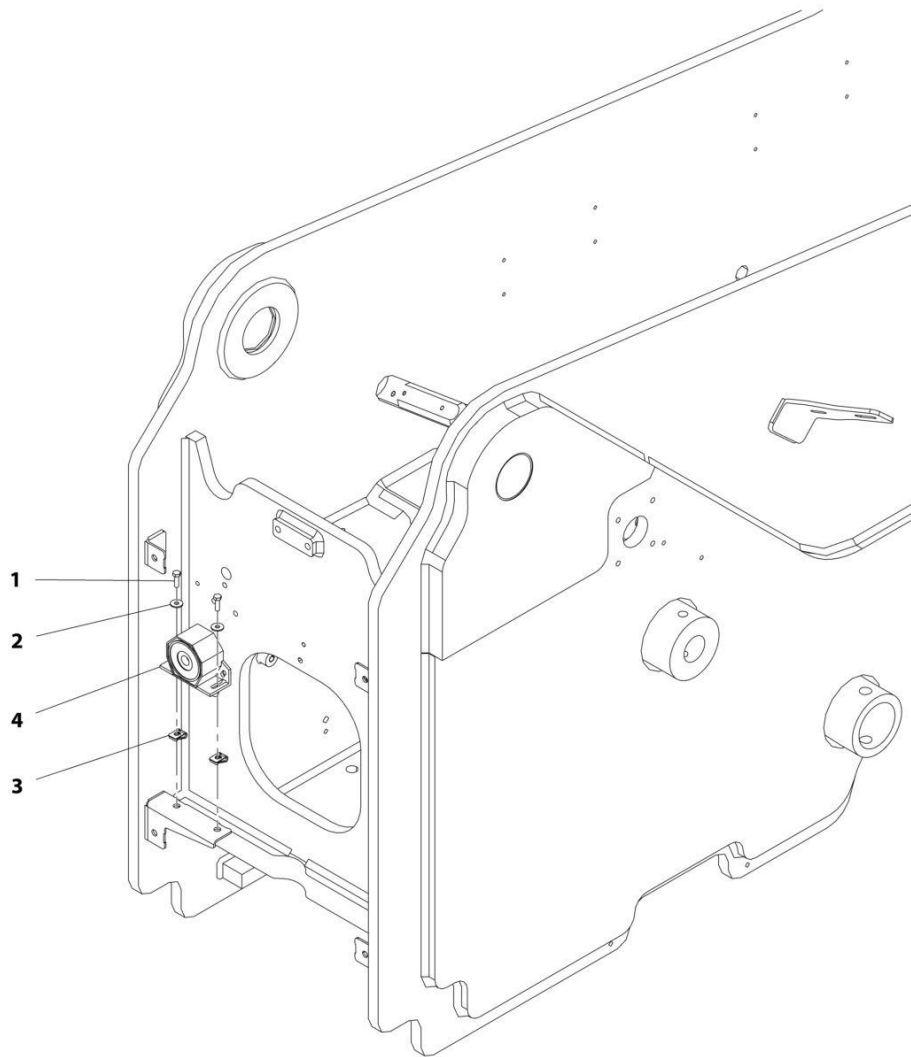
**SECTION 10 - ELECTRICAL**

**FIGURE 10-5. ALARM INSTALLATION - BACKUP**

ITEM	PART NUMBER	QTY	DESCRIPTION	REV
	1001192393	Ref	Backup Alarm Installation (97 dB)	D
1	0700610	2	Bolt, M6X20	
2	4811702	2	Washer, M6	
3	8305919	2	Nut, M6	
4	1001101808	1	Alarm, Backup	

# SECTION 10 - ELECTRICAL

## FIGURE 10-6. ALARM INSTALLATION - WHITE NOISE



ART\_1001192394-D

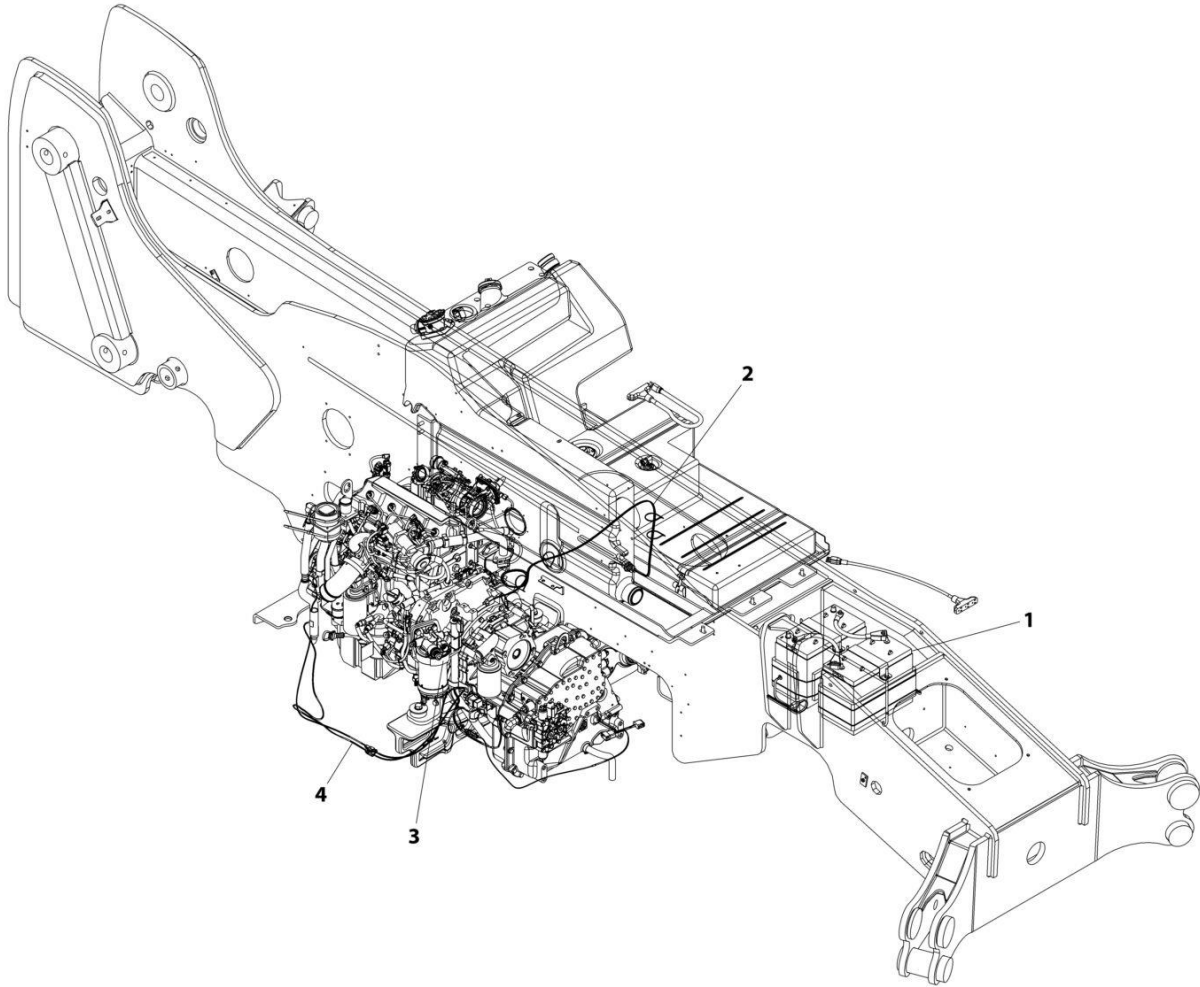
**SECTION 10 - ELECTRICAL**

**FIGURE 10-6. ALARM INSTALLATION - WHITE NOISE**

ITEM	PART NUMBER	QTY	DESCRIPTION	REV
	1001192394	Ref	White Noise Backup Alarm Installation	D
1	0700610	2	Bolt, M6X20	
2	4811702	2	Washer, M6	
3	8305919	2	Nut, M6	
4	1001165827	1	Alarm, White Noise Backup	

# SECTION 10 - ELECTRICAL

## FIGURE 10-7. ARCTIC COLD WEATHER PACKAGE INSTALLATION (ULS)



ART\_1001190179\_E

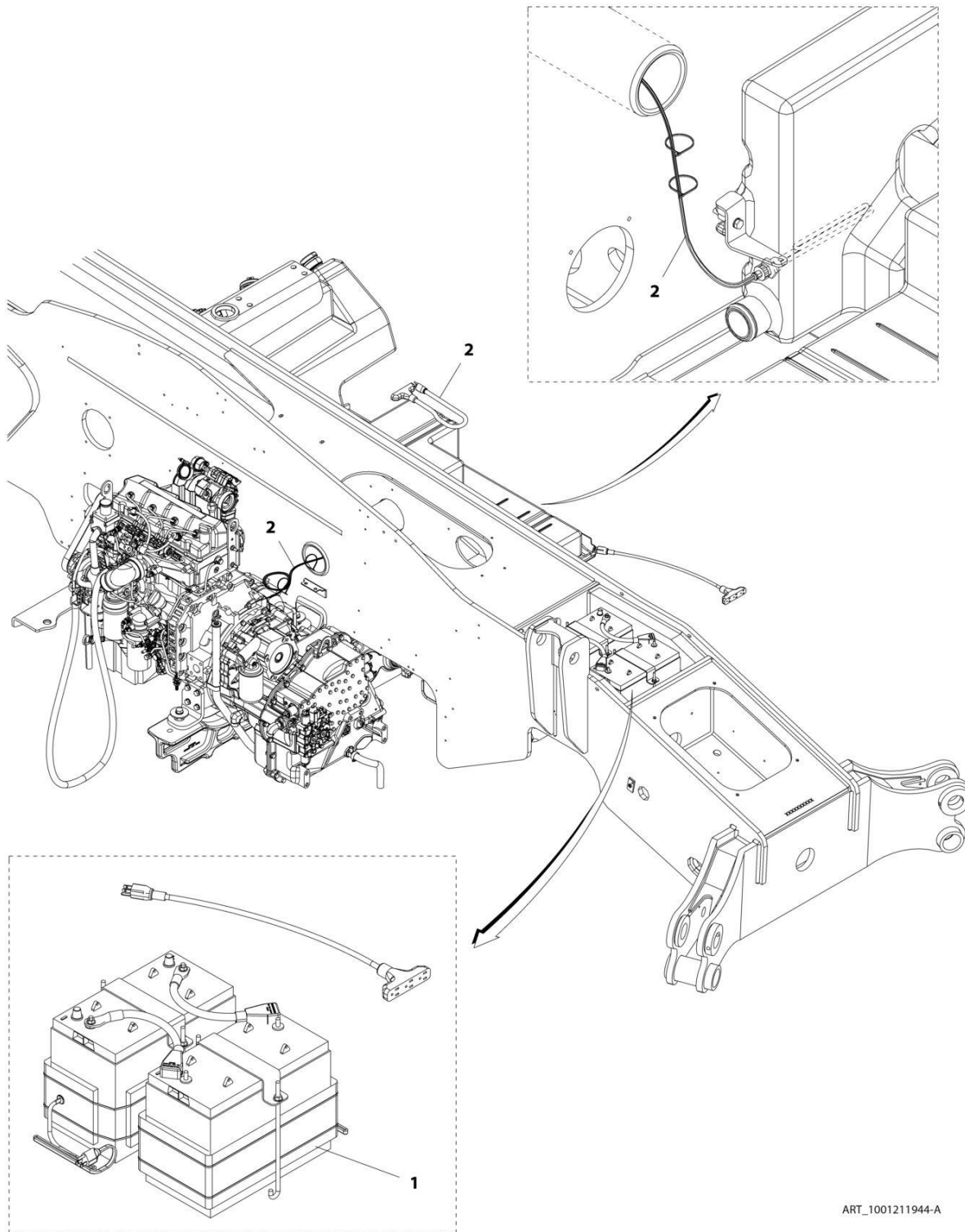
## SECTION 10 - ELECTRICAL

**FIGURE 10-7. ARCTIC COLD WEATHER PACKAGE INSTALLATION (ULS)**

ITEM	PART NUMBER	QTY	DESCRIPTION	REV
1	1001190179	Ref	Arctic Weather Package Installation - 110 HP (ULS)	E
	1001190670	Ref	Installation, Arctic Batteries (See Separate Breakdown in this Section)	
2	1001190671	Ref	Installation, Tank Heater (See Separate Breakdown in this Section)	
3	1001204095	Ref	Installation, Fuel Filter Heater (See Separate Breakdown in this Section)	
4	1001232751	Ref	Heater, Breather - 110 HP (See Separate Breakdown in this Section)	

# SECTION 10 - ELECTRICAL

## FIGURE 10-8. ARCTIC COLD WEATHER PACKAGE INSTALLATION (LS)



ART\_1001211944-A



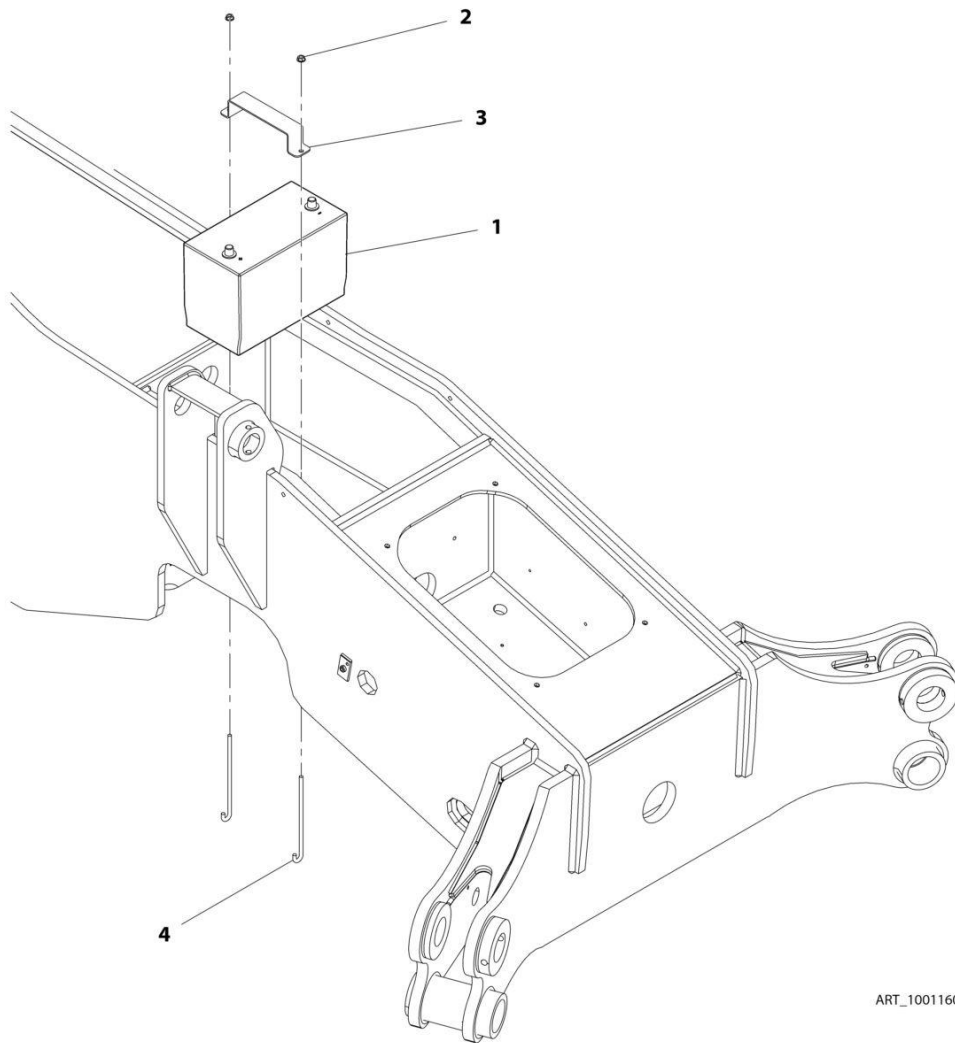
**SECTION 10 - ELECTRICAL**

**FIGURE 10-8. ARCTIC COLD WEATHER PACKAGE INSTALLATION (LS)**

ITEM	PART NUMBER	QTY	DESCRIPTION	REV
1	1001211944	Ref	Arctic Weather Package Installation (LS)	A
	1001190670	Ref	Installation, Arctic Batteries (See Separate Breakdown in this Section)	
2	1001190671	Ref	Installation, Tank Heater (See Separate Breakdown in this Section)	

# SECTION 10 - ELECTRICAL

## FIGURE 10-9. BATTERY INSTALLATION



ART\_1001160711-C

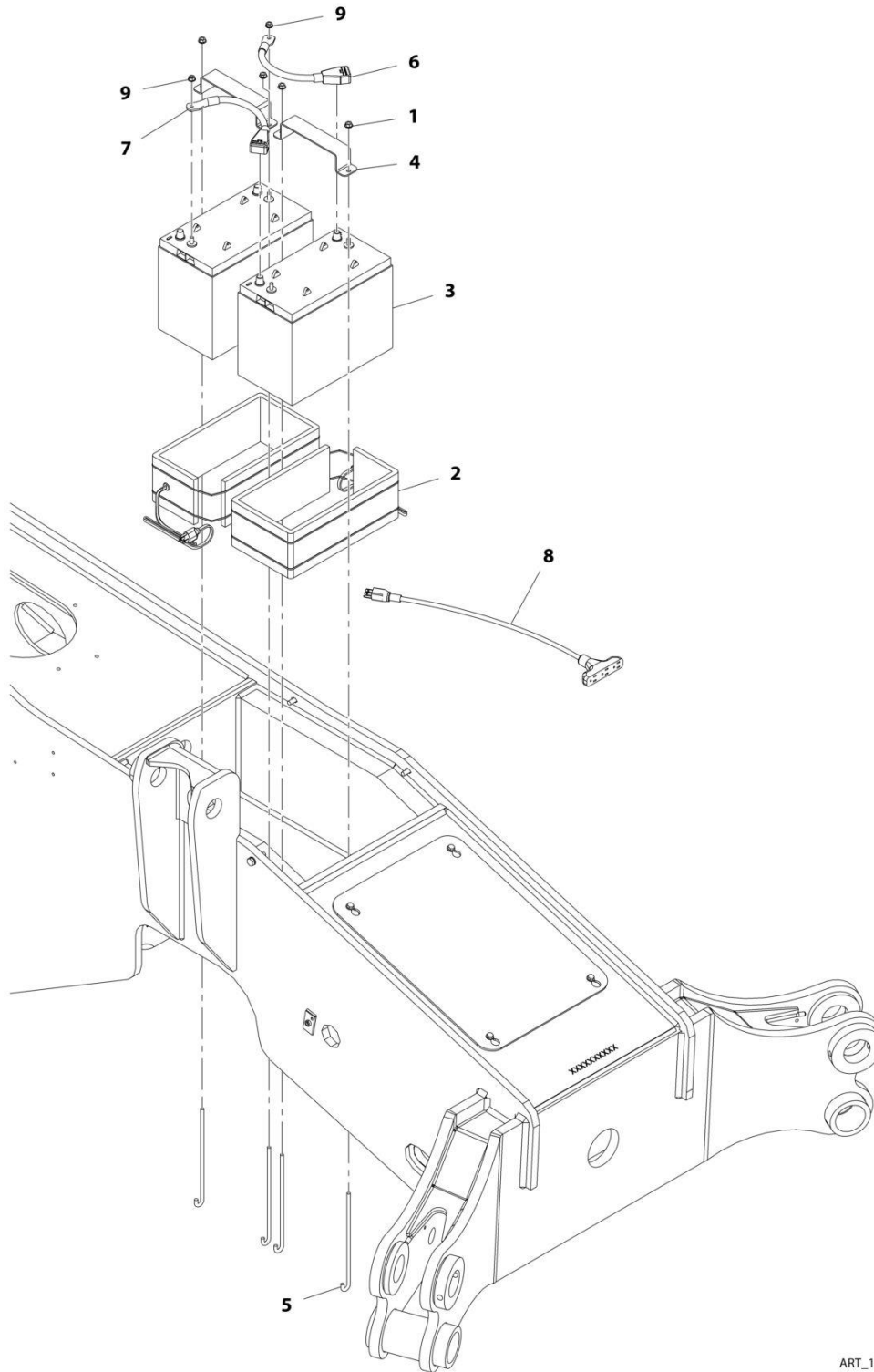
**SECTION 10 - ELECTRICAL**

**FIGURE 10-9. BATTERY INSTALLATION**

ITEM	PART NUMBER	QTY	DESCRIPTION	REV
	1001160711	Ref	Battery Installation	C
1	0400075	1	Battery, 12V	
2	5220800	2	Nut, M8	
3	1001160927	1	Plate	
4	1001181961	2	J-Bolt	

# SECTION 10 - ELECTRICAL

## FIGURE 10-10. BATTERY INSTALLATION - ARCTIC



ART\_1001190670-C

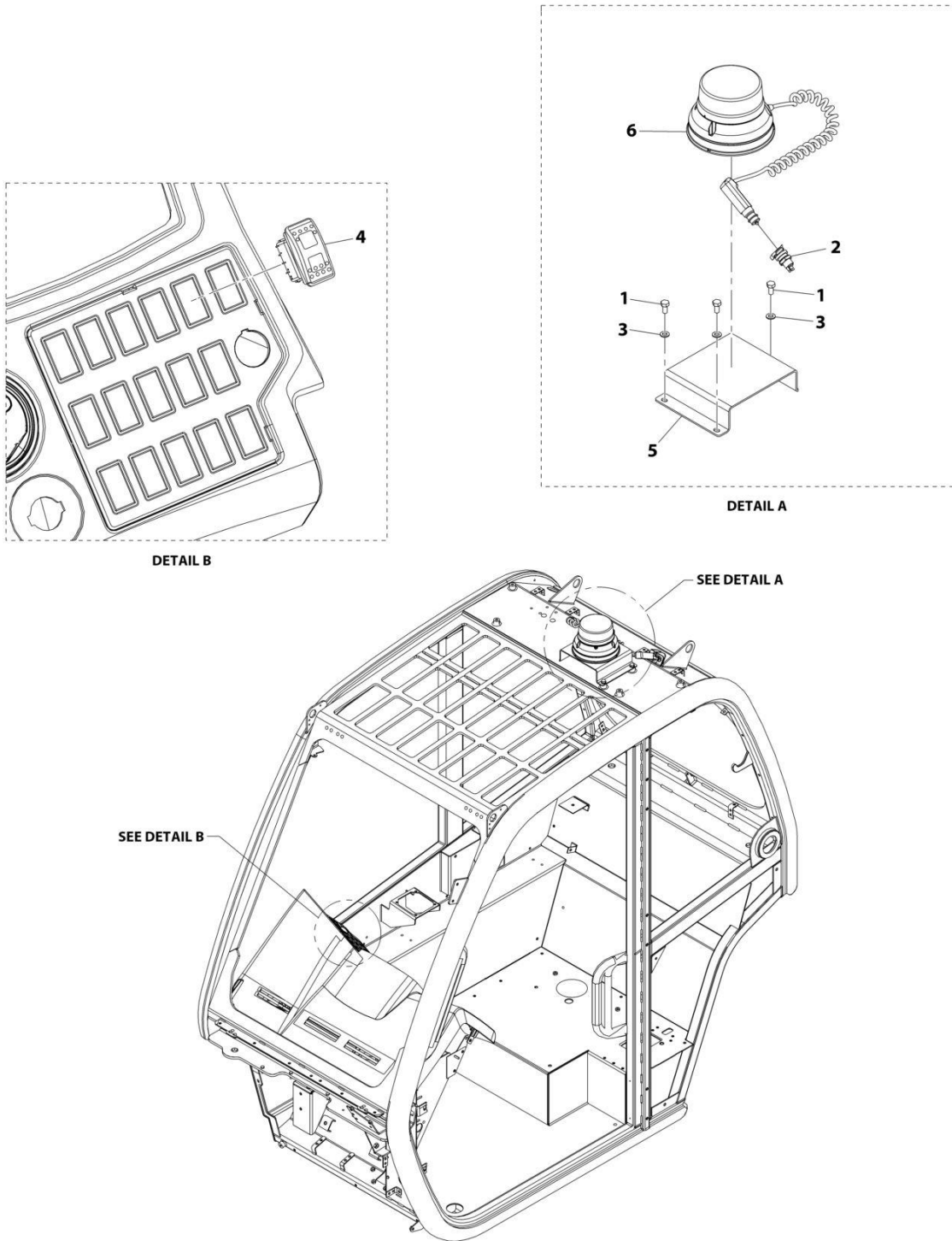
# SECTION 10 - ELECTRICAL

## FIGURE 10-10. BATTERY INSTALLATION - ARCTIC

ITEM	PART NUMBER	QTY	DESCRIPTION	REV
	1001190670	Ref	Artic Batteries Installation	C
1	5220800	4	Nut, M8	
2	1001093564	2	Heater, Battery	
3	1001098762	2	Battery, 12V	
4	1001160927	2	Plate	
5	1001160928	4	J-Bolt	
6	1001172495	1	Cable	
7	1001172496	1	Cable	
8	1060626	1	Cord, 3-Way Extension	
9	3311508	2	Nut	

# SECTION 10 - ELECTRICAL

## FIGURE 10-11. BEACON INSTALLATION



ART\_1001195883-A

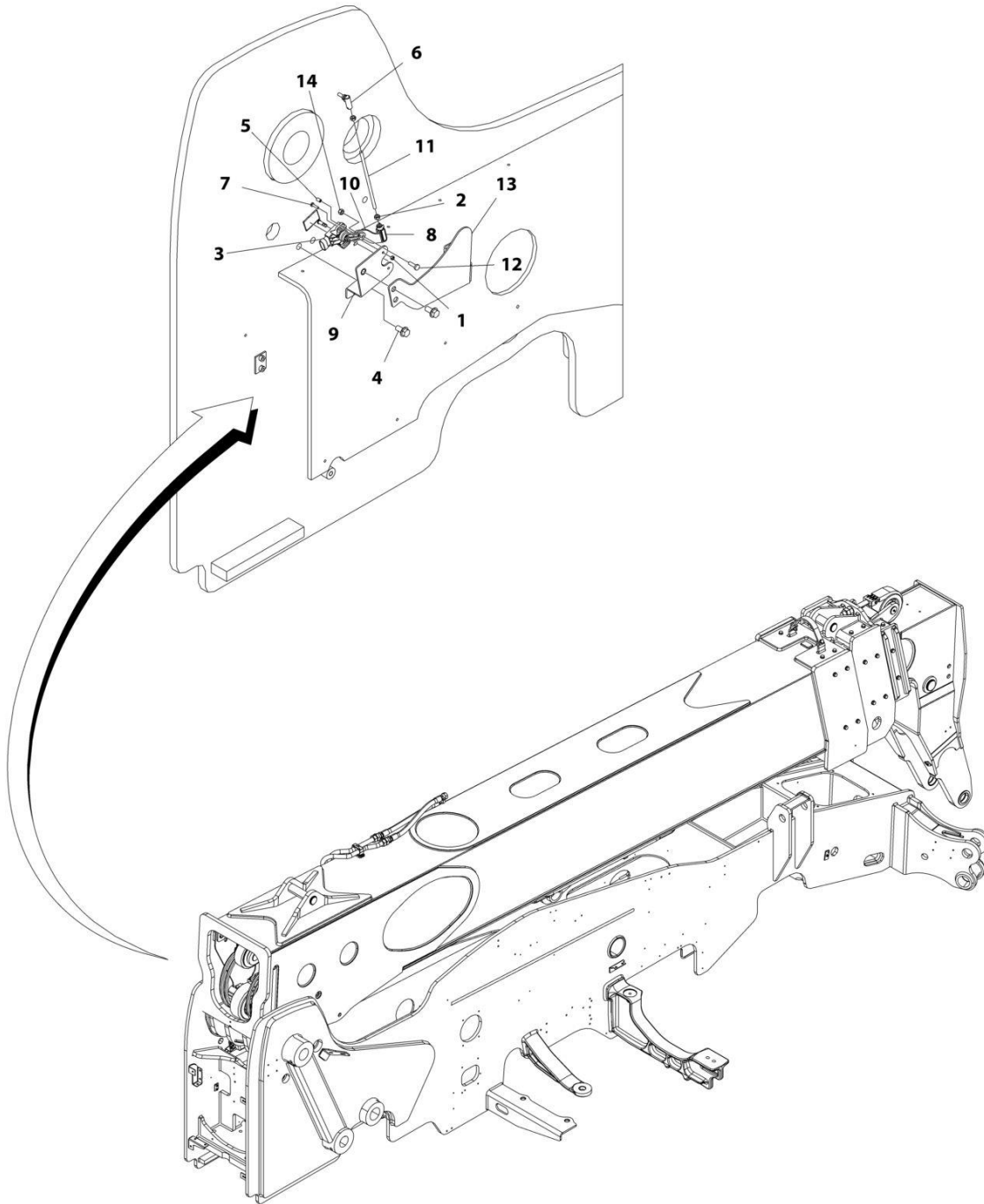
# SECTION 10 - ELECTRICAL

## FIGURE 10-11. BEACON INSTALLATION

ITEM	PART NUMBER	QTY	DESCRIPTION	REV
	1001195883	Ref	Beacon Installation (LED)	A
1	0760808	3	Bolt M8X16	
2	4461174	1	Terminal	
3	4811900	3	Washer, M8	
4	1001159738	1	Switch, Beacon	
5	1001174796	1	Bracket	
6	1001198893	1	Light, Beacon (LED)	

# SECTION 10 - ELECTRICAL

## FIGURE 10-12. BOOM ANGLE SENSOR INSTALLATION



ART\_1001168479\_F



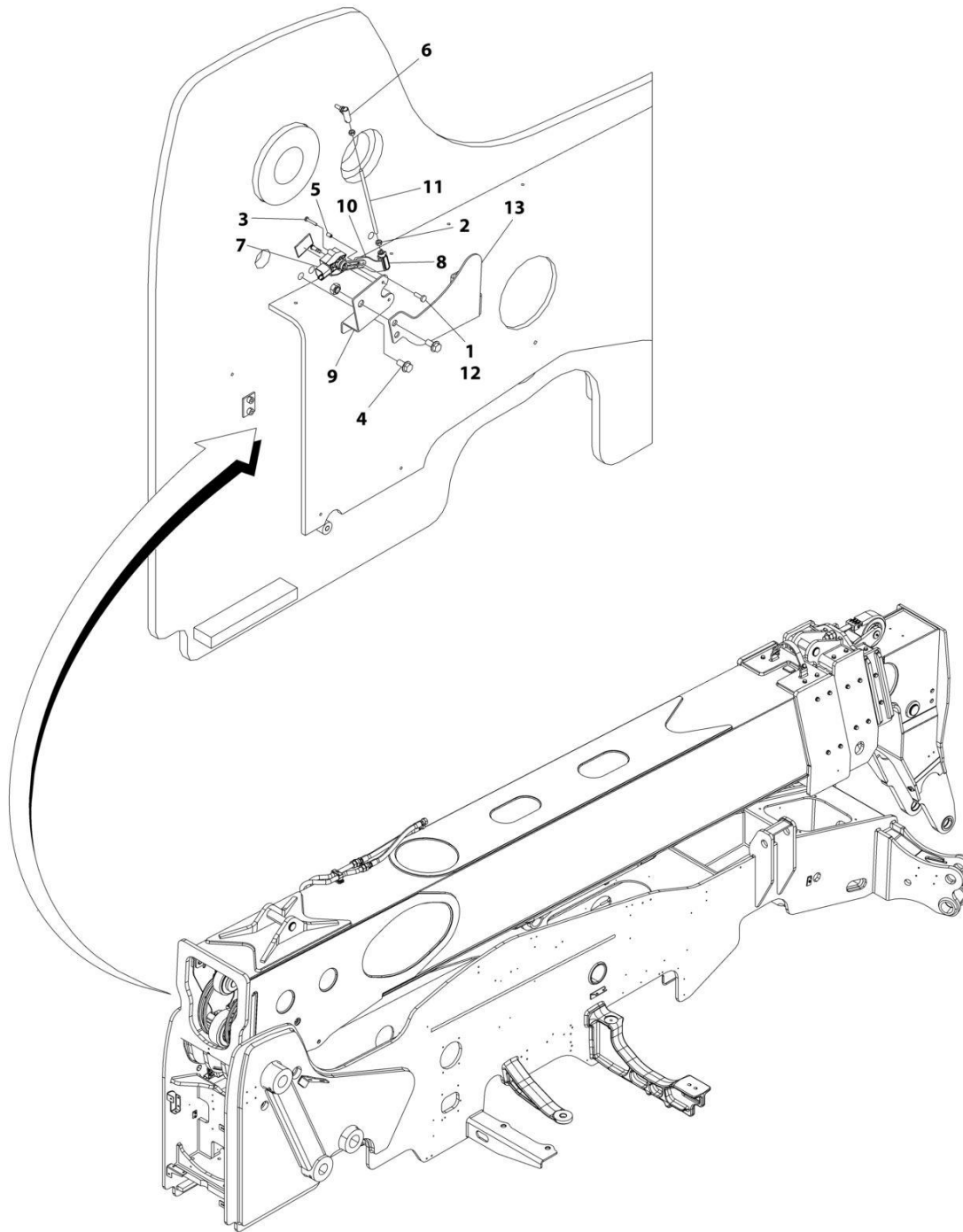
## SECTION 10 - ELECTRICAL

### FIGURE 10-12. BOOM ANGLE SENSOR INSTALLATION

ITEM	PART NUMBER	QTY	DESCRIPTION	REV
	1001168479	Ref	BOOM ANGLE SENSOR INSTALLATION	F
1	3290405	2	Nut M4 x 0.7 Grd8	
2	3290601	2	Nut M6 x 1 Grd8	
3	4000015	1	Sensor, Angle	
4	5201010	4	Bolt M10 x 20	
5	1001103156	1	Pin	
6	1001184484	1	Joint, Ball	
7	1001126837	2	Screw M4 x 16	
8	1001134274	1	Clevis	
9	1001188782	1	Bracket	
10	1001188787	1	Link	
11	1001168482	1	Rod	
12	4010610002	1	Screw M6 x 20	
13	1001188778	1	Bracket	
14	3290605	1	Nut M6 x 1	

# SECTION 10 - ELECTRICAL

## FIGURE 10-13. BOOM ANGLE SENSOR INSTALLATION (CAN ONLY)



ART\_1001259081

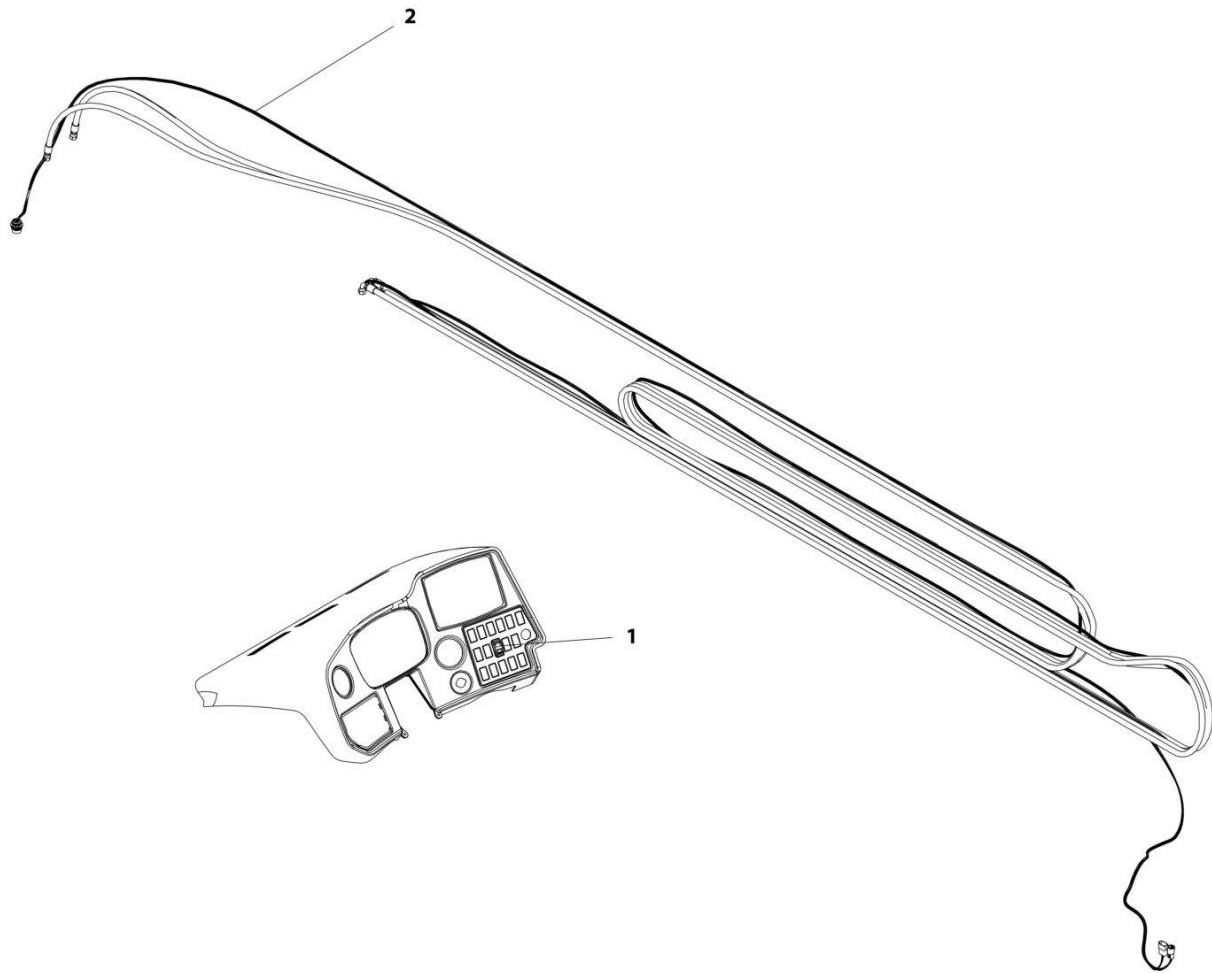
**SECTION 10 - ELECTRICAL**

**FIGURE 10-13. BOOM ANGLE SENSOR INSTALLATION (CAN ONLY)**

ITEM	PART NUMBER	QTY	DESCRIPTION	REV
	1001259081	Ref	BOOM ANGLE SENSOR INSTALLATION	A
1	3290605	1	Nut M6 x 1	
2	3290601	2	Nut M6 x 1	
3	4010415	2	Screw M4X35	
4	5201010	4	Bolt M10 x 20	
5	1001103156	1	Pin	
6	1001184484	1	Joint, Ball	
7	1001099717	1	Sensor, Angle 90	
8	1001134274	1	Clevis	
9	1001188782	1	Bracket	
10	1001188787	1	Link	
11	1001168482	1	Rod	
12	4010610002	1	Screw M6 x 20	
13	1001188778	1	Bracket	

# SECTION 10 - ELECTRICAL

## FIGURE 10-14. BOOM AUXILIARY ELECTRIC INSTALLATION



ART\_1001185494-A

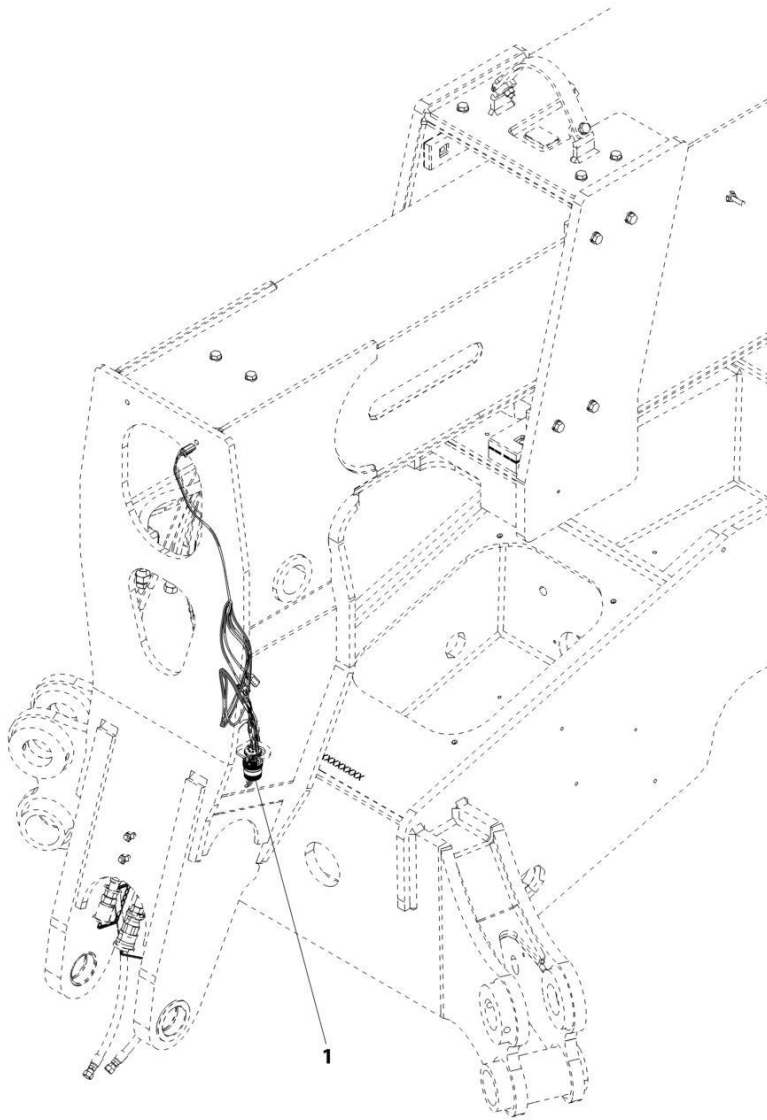
## SECTION 10 - ELECTRICAL

### FIGURE 10-14. BOOM AUXILIARY ELECTRIC INSTALLATION

ITEM	PART NUMBER	QTY	DESCRIPTION	REV
	1001185494	Ref	Boom Auxiliary Electric Installation	A
1	1001159746	1	Switch, AUX	
2	1001160168	1 Ref	Installation, Boom Auxiliary Electric Harness	D
2	1001166323	1	Harness, Boom Auxiliary (See Separate Breakdown in this Section)	

# SECTION 10 - ELECTRICAL

## FIGURE 10-15. BOOM AUXILIARY ELECTRIC HARNESS INSTALLATION



ART\_1001167799-B

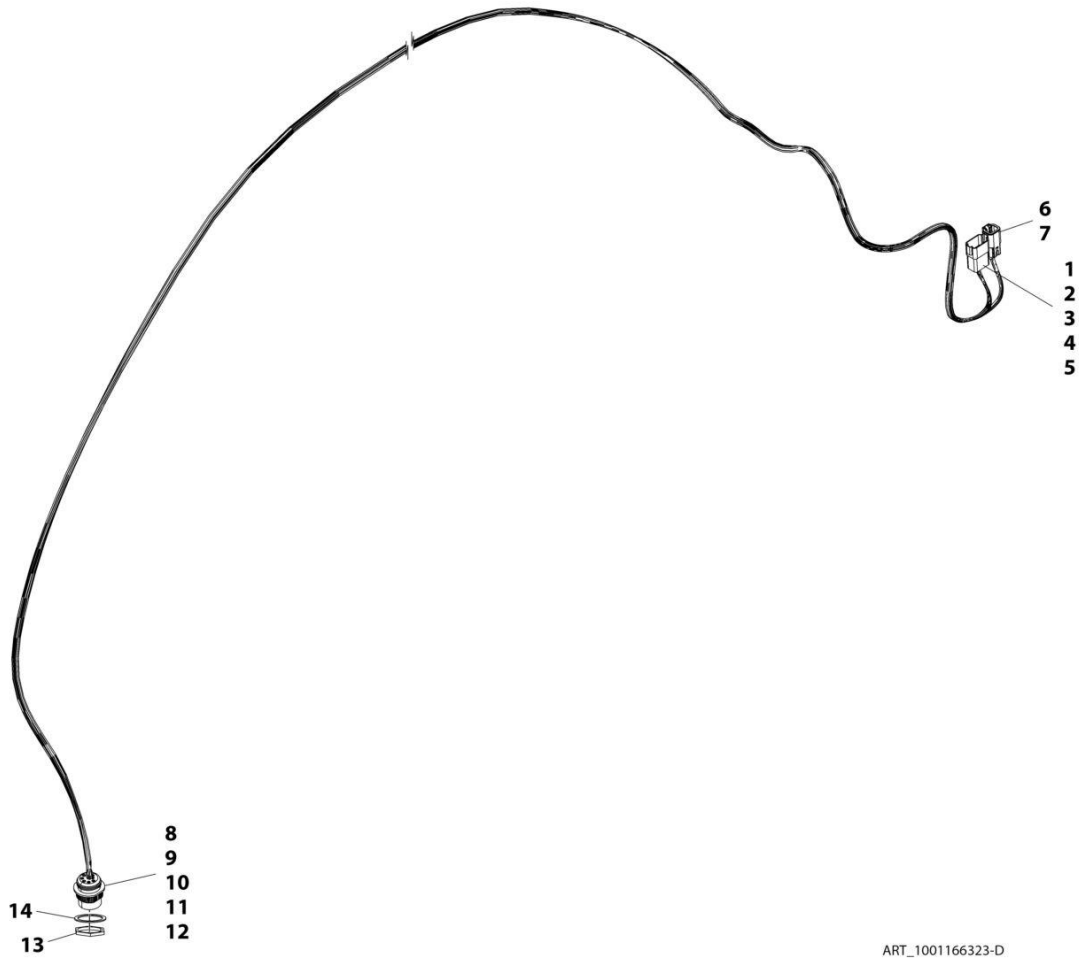
**SECTION 10 - ELECTRICAL**

**FIGURE 10-15. BOOM AUXILIARY ELECTRIC HARNESS INSTALLATION**

ITEM	PART NUMBER	QTY	DESCRIPTION	REV
1	1001167799	Ref	Boom Auxiliary Electric Harness Installation	B
	1001167695	1	Harness, Platform (See Separate Breakdown in this Section)	

# SECTION 10 - ELECTRICAL

## FIGURE 10-16. BOOM AUXILIARY ELECTRIC HARNESS



ART\_1001166323-D



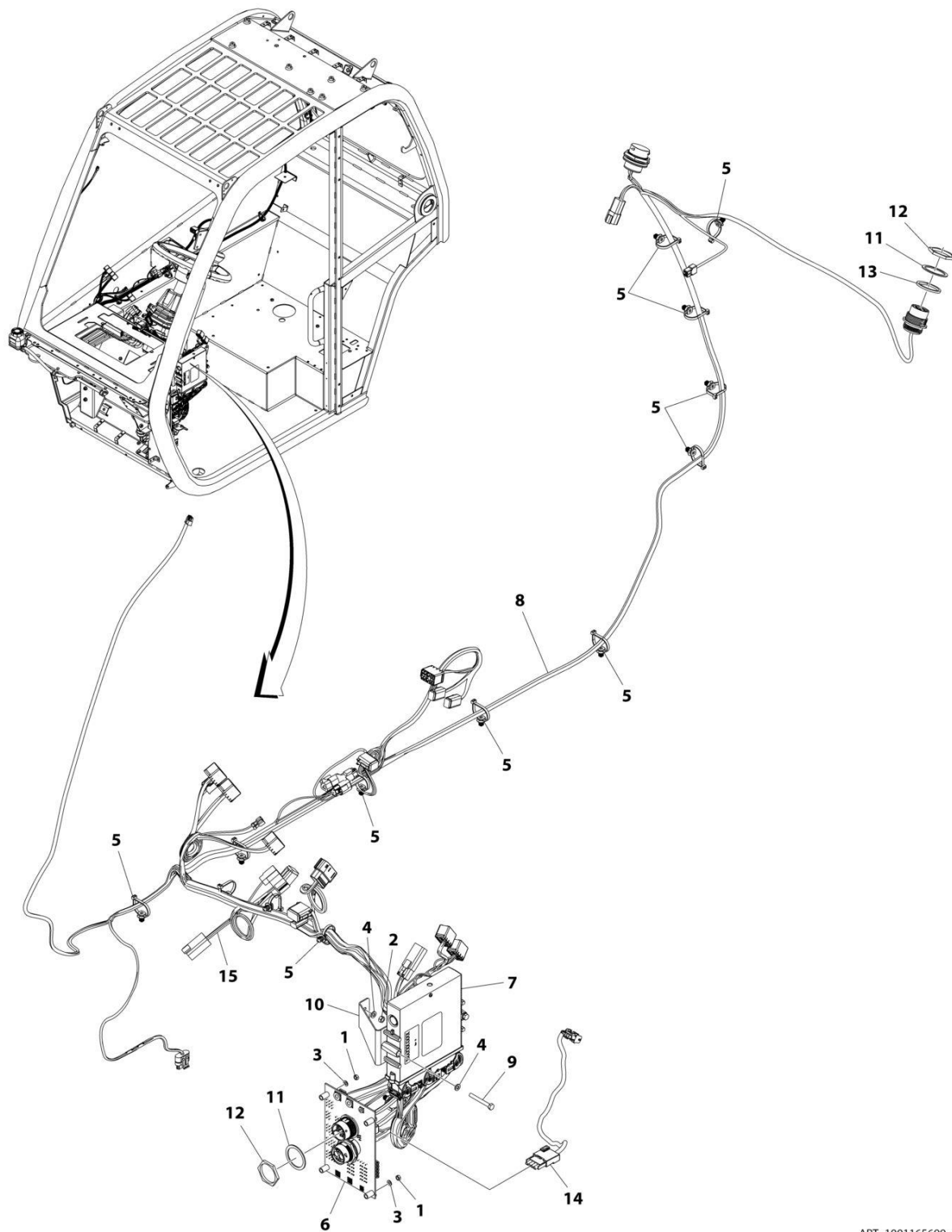
## SECTION 10 - ELECTRICAL

**FIGURE 10-16. BOOM AUXILIARY ELECTRIC HARNESS**

ITEM	PART NUMBER	QTY	DESCRIPTION	REV
	1001166323	Ref	Boom Auxiliary Harness	D
1	4460931	1	Connector	
2	91503106	1	Wedge Lock	
3	4460464	4	Terminal	
4	4460943	2	Terminal	
5	4460466	2	Plug	
6	4461017	1	Connector	
7	4460508	2	Terminal	
8	1001112612	1	Connector	
9	1001157891	2	Terminal	
10	4460464	4	Terminal	
11	4460943	2	Terminal	
12	4460466	1	Plug	
13	4460497	1	Nut	
14	1001125784	1	Washer	

# SECTION 10 - ELECTRICAL

## FIGURE 10-17. CAB ELECTRICAL INSTALLATION



ART\_1001165699\_L

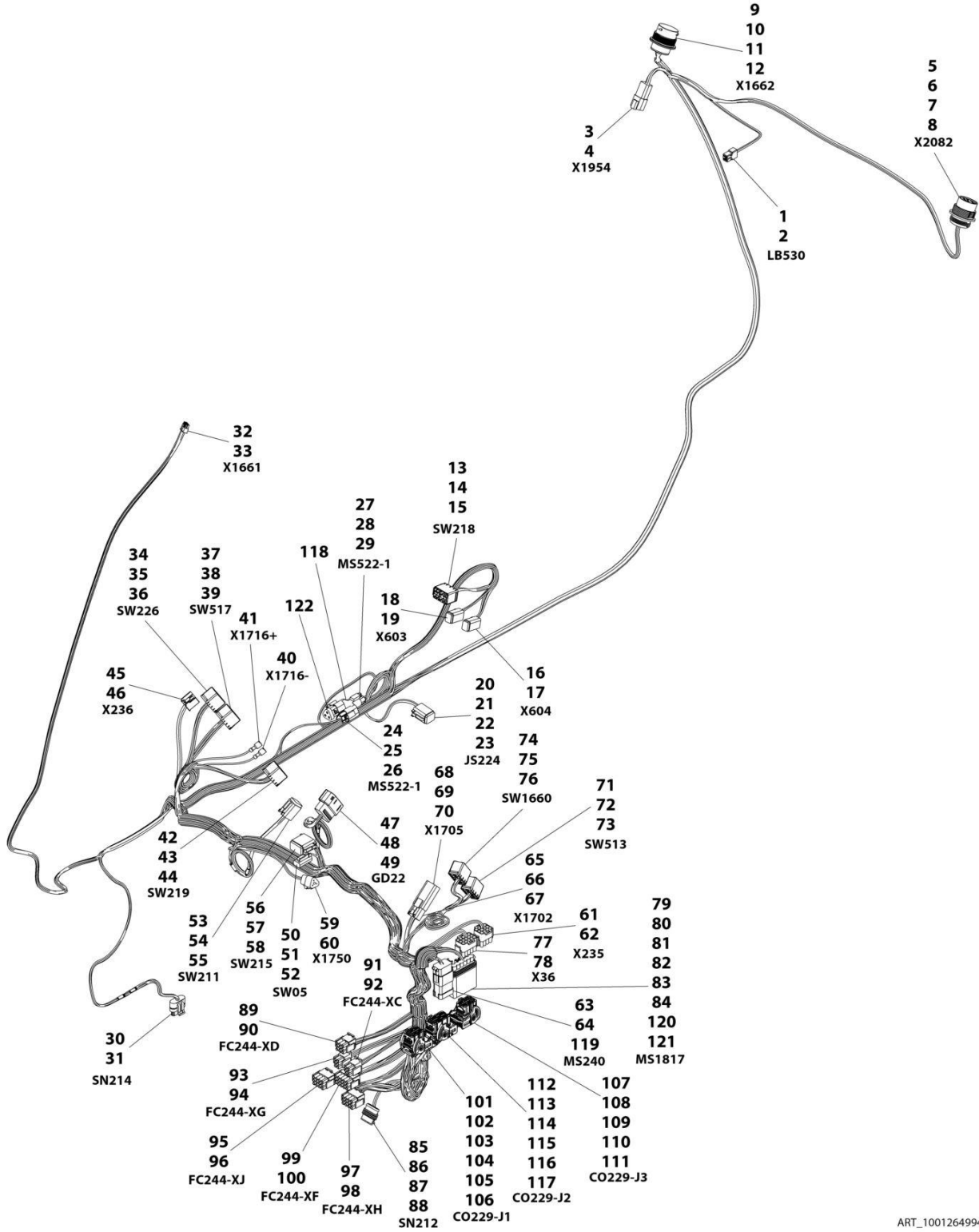
## SECTION 10 - ELECTRICAL

### FIGURE 10-17. CAB ELECTRICAL INSTALLATION

ITEM	PART NUMBER	QTY	DESCRIPTION	REV
	1001165699	Ref	CAB ELECTRICAL INSTALLATION	L
1	3290501	3	Nut M5 x 0.8	
2	3290601	2	Nut M6 x 1	
3	120034	3	Washer, Plastic	
4	4811700	4	Washer M6	
5	1001146588	16	Tie Strap	
6	1001161769	1	Assembly, Standard Electrical Board (See Separate Breakdown in this Section)	
7	1001270466	1	Module	
8	1001264994	1	Harness, Cab (See Separate Breakdown in this Section)	
9	0700618	2	Bolt M6 x 50	
10	1001178933	1	Bracket	
11	4460496	4	Washer, Terminal Lock	
12	4460497	4	Nut, Terminal	
13	1001211693	2	Seal	
14	1001213988	1	Cable (See Separate Breakdown in this Section)	
15	1001241610	1	Key Harness (See Separate Breakdown in this Section)	

# SECTION 10 - ELECTRICAL

## FIGURE 10-18. CAB HARNESS



ART\_1001264994

# SECTION 10 - ELECTRICAL

## FIGURE 10-18. CAB HARNESS

ITEM	PART NUMBER	QTY	DESCRIPTION	REV
	1001264994	Ref	CAB HARNESS	A
1	1001116991	1	Connector	
2	1001118384	2	Terminal	
3	4460932	1	Connector	
4	4460941	4	Terminal	
5	1001112612	1	Connector	
6	4460464	4	Terminal	
7	4460943	2	Terminal	
8	4460466	3	Plug	
9	4461016	1	Connector	
10	4460941	6	Terminal	
11	4460464	5	Terminal	
12	4460466	3	Plug	
13	1001117081	1	Connector	
14	1001118384	4	Terminal	
15	1001116723	2	Terminal	
16	4460884	1	Connector	
17	4460465	4	Terminal	
18	4460884	1	Connector	
19	4460465	4	Terminal	
20	4460894	1	Connector	
21	4460465	3	Terminal	
22	4460944	2	Terminal	
23	4460466	1	Plug	
24	4460539	1	Connector	
25	4460944	2	Terminal	
26	4460466	1	Plug	
27	1001116812	1	Connector	
28	4460944	2	Terminal	
29	4460466	1	Plug	
30	1001230931	1	Connector	
31	1001116748	6	Terminal	
32	1001150735	1	Connector	
33	1001150737	7	Terminal	
34	1001117081	1	Connector	
35	1001118384	2	Terminal	
36	1001116723	4	Terminal	
37	1001117081	1	Connector	
38	1001116723	6	Terminal	
39	1001118384	1	Terminal	
40	8220051	1	Connector	
41	8220051	1	Connector	
42	1001117081	1	Connector	
43	1001118384	5	Terminal	
44	1001116723	6	Terminal	
45	1001118684	1	Connector	
46	1001116754	2	Terminal	
47	1001162886	1	Connector	
48	1001162887	7	Terminal	
49	1001163340	13	Plug	

## SECTION 10 - ELECTRICAL

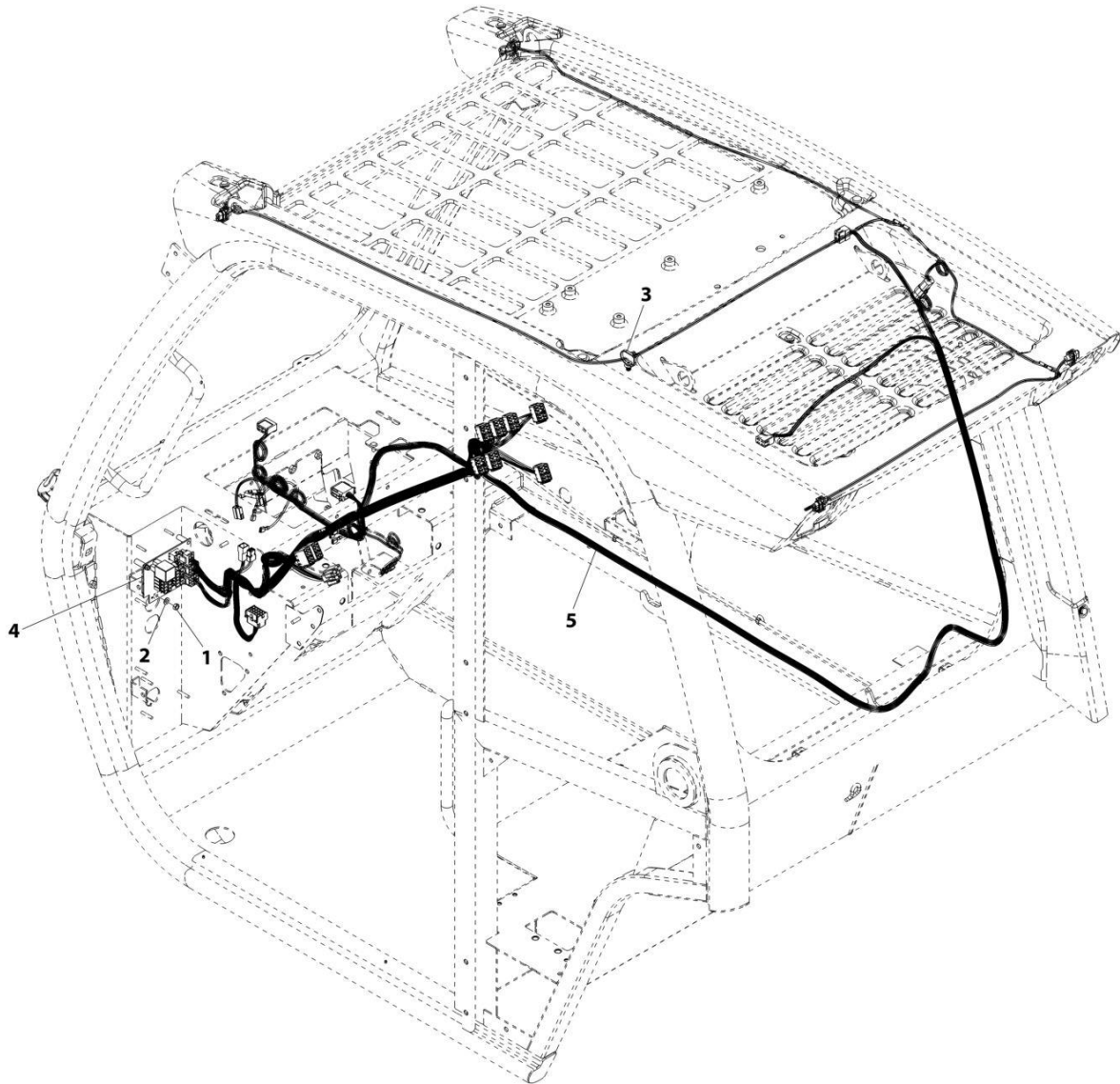
ITEM	PART NUMBER	QTY	DESCRIPTION	REV
50	4460897	1	Connector	
51	4460464	1	Terminal	
52	4460466	1	Plug	
53	4460894	1	Connector	
54	4460465	4	Terminal	
55	4460466	2	Plug	
56	4460933	1	Connector	
57	4460465	9	Terminal	
58	4460466	3	Plug	
59	4460539	1	Connector	
60	4460465	3	Terminal	
61	4460343	1	Connector	
62	4460268	8	Terminal	
63	4460930	1	Connector	
64	4460465	8	Terminal	
65	4460894	1	Connector	
66	4460465	6	Terminal	
67	4460466	1	Plug	
68	4460899	1	Connector	
69	4460464	2	Terminal	
70	4460466	4	Plug	
71	1001117081	1	Connector	
72	1001118384	2	Terminal	
73	1001116723	4	Terminal	
74	1001117081	1	Connector	
75	1001118384	2	Terminal	
76	1001116723	4	Terminal	
77	4460434	1	Connector	
78	4460268	14	Terminal	
79	4460744	1	Connector	
80	1001177597	1	Diode, 6amp	
81	8220375	1	Cap	
82	4460746	4	Terminal	
83	1001116727	2	Plug	
84	1001175265	4	Seal	
85	1001103012	1	Connector	
86	1001116697	2	Terminal	
87	1001116698	2	Plug	
88	1001116763	2	Seal	
89	4460265	1	Connector	
90	4460268	9	Terminal	
91	4460225	1	Connector	
92	4460267	5	Terminal	
93	4460225	1	Connector	
94	4460268	5	Terminal	
95	4460343	1	Connector	
96	4460267	11	Terminal	
97	4460343	1	Connector	
98	4460268	9	Terminal	
99	4460434	1	Connector	
100	4460268	11	Terminal	

## SECTION 10 - ELECTRICAL

ITEM	PART NUMBER	QTY	DESCRIPTION	REV
101	1001160498	1	Connector	
102	1001161095	22	Terminal	
103	1001161098	6	Terminal	
104	1001161099	1	Terminal	
105	1001161100	2	Plug	
106	1001161101	1	Plug	
107	1001161959	1	Connector	
108	1001161095	11	Terminal	
109	1001161098	1	Terminal	
110	1001161100	12	Plug	
111	1001161101	7	Plug	
112	1001160502	1	Connector	
113	1001161095	21	Terminal	
114	1001161098	5	Terminal	
115	1001161099	1	Terminal	
116	1001161100	19	Plug	
117	1001161101	2	Plug	
118	4460945	1	Terminal, 3 Way "T" Receptacle	
119	4460984	1	Plug, 8 Pin	
120	8220375	1	Cap	
121	1001177597	2	Diode, 6amp	
122	1001116815	1	Connector, 3 Pin	

# SECTION 10 - ELECTRICAL

## FIGURE 10-19. CAB (ENCLOSED) ELECTRICAL INSTALLATION WITH OPTIONS



ART\_1001166763-E



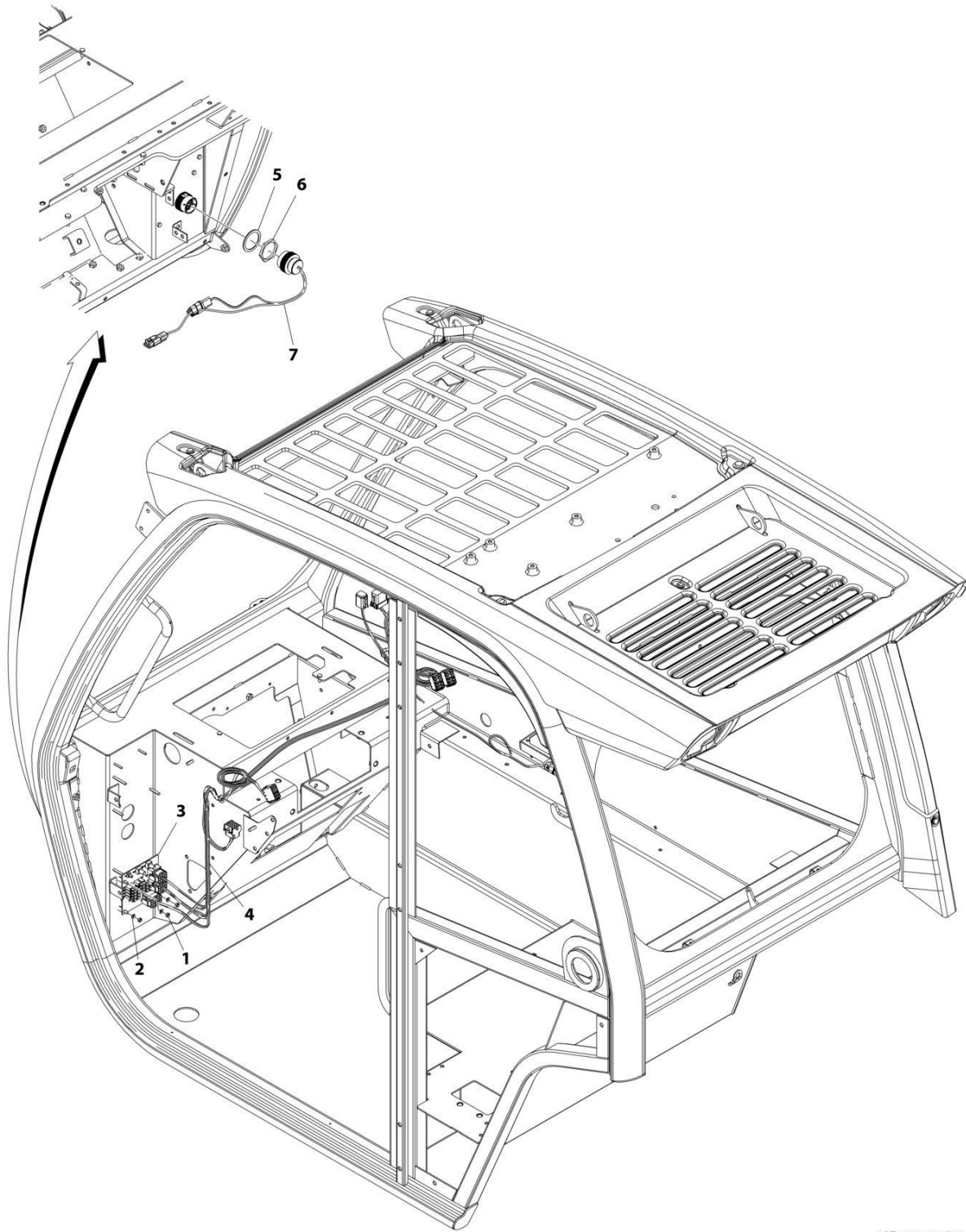
## SECTION 10 - ELECTRICAL

**FIGURE 10-19. CAB (ENCLOSED) ELECTRICAL INSTALLATION WITH OPTIONS**

ITEM	PART NUMBER	QTY	DESCRIPTION	REV
	1001166763	Ref	Enclosed Cab Electrical Installation with Options	E
1	3290501	1	Nut, M5X0.8	
2	120034	1	Washer, Plastic	
3	1001146588	1	Strap, Tie	
4	1001161770	1	Assembly, Option 1 Electrical Board (See Separate Breakdown in this Section)	
5	1001163371	1	Harness, Option 1 Cab (See Separate Breakdown in this Section)	

# SECTION 10 - ELECTRICAL

## FIGURE 10-20. CAB (OPEN) ELECTRICAL INSTALLATION WITH OPTIONS



ART\_1001166764\_F

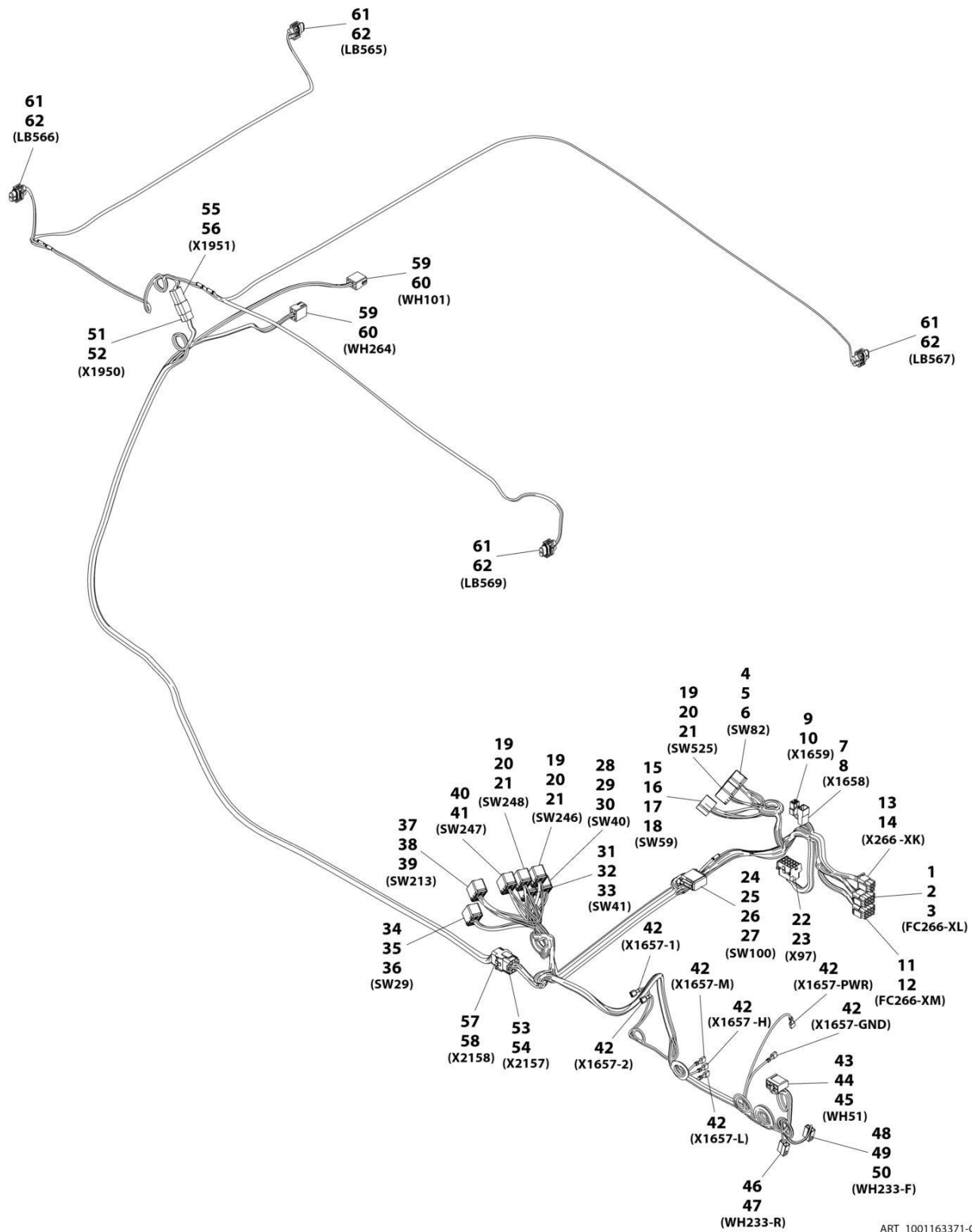
## SECTION 10 - ELECTRICAL

**FIGURE 10-20. CAB (OPEN) ELECTRICAL INSTALLATION WITH OPTIONS**

ITEM	PART NUMBER	QTY	DESCRIPTION	REV
	1001166764	Ref	OPEN CAB ELECTRICAL INSTALLATION WITH OPTIONS	F
1	3290501	3	Nut M5 x 5/16	
2	120034	3	Washer, Plastic	
3	1001161771	1	Assembly, Option 2 Electrical Board (See Separate Breakdown in this Section)	
4	1001266638	1	Harness, Option 2 Cab (See Separate Breakdown in this Section)	
5	4460496	1	Washer, Terminal Lock	
6	4460497	1	Nut, Terminal	
7	1001271436	1	Harness, Cab Option (See Separate Breakdown in this Section)	

# SECTION 10 - ELECTRICAL

## FIGURE 10-21. CAB HARNESS - OPTION 1



ART\_1001163371-G

# SECTION 10 - ELECTRICAL

## FIGURE 10-21. CAB HARNESS - OPTION 1

ITEM	PART NUMBER	QTY	DESCRIPTION	REV
	1001163371	Ref	Option 1 Cab Harness	G
1	4460343	1	Connector	
2	4460268	10	Terminal	
3	4460906	1	Terminal	
4	1001117081	1	Connector	
5	1001116723	6	Terminal	
6	1001118384	1	Terminal	
7	1001116999	1	Connector	
8	1001116700	4	Terminal	
9	1001116991	1	Connector	
10	1001118384	2	Terminal	
11	4460343	1	Connector	
12	4460267	6	Terminal	
13	4460225	1	Connector	
14	4460267	5	Terminal	
15	4460705	1	Terminal	
16	1001173411	1	Connector	
17	1001265008	4	Terminal	
18	1001104519	3	Terminal	
19	1001117081	1	Connector	
20	1001118384	2	Terminal	
21	1001116723	4	Terminal	
22	4460708	1	Connector	
23	4460267	14	Terminal	
24	4460836	1	Connector	
25	4460942	3	Terminal	
26	4460465	8	Terminal	
27	1001157890	1	Terminal	
28	80604016	1	Lock, Connector	
29	1001117081	1	Connector	
30	1001118384	4	Terminal	
31	1001116723	6	Terminal	
32	1001117081	1	Connector	
33	1001118384	3	Terminal	
34	1001116723	4	Terminal	
35	1001117081	1	Connector	
36	1001118384	2	Terminal	
37	1001116723	4	Terminal	
38	1001117081	1	Connector	
39	1001118384	2	Terminal	
40	1001116723	4	Terminal	
41	1001117081	1	Connector	
42	1001116723	8	Terminal	
43	1001118384	2	Terminal	
44	1001117079	1	Connector	
45	1001116723	6	Terminal	
46	1001118384	2	Terminal	
47	1001117081	1	Connector	
48	1001118384	4	Terminal	
49	8220051	1	Female Blade Coupler	

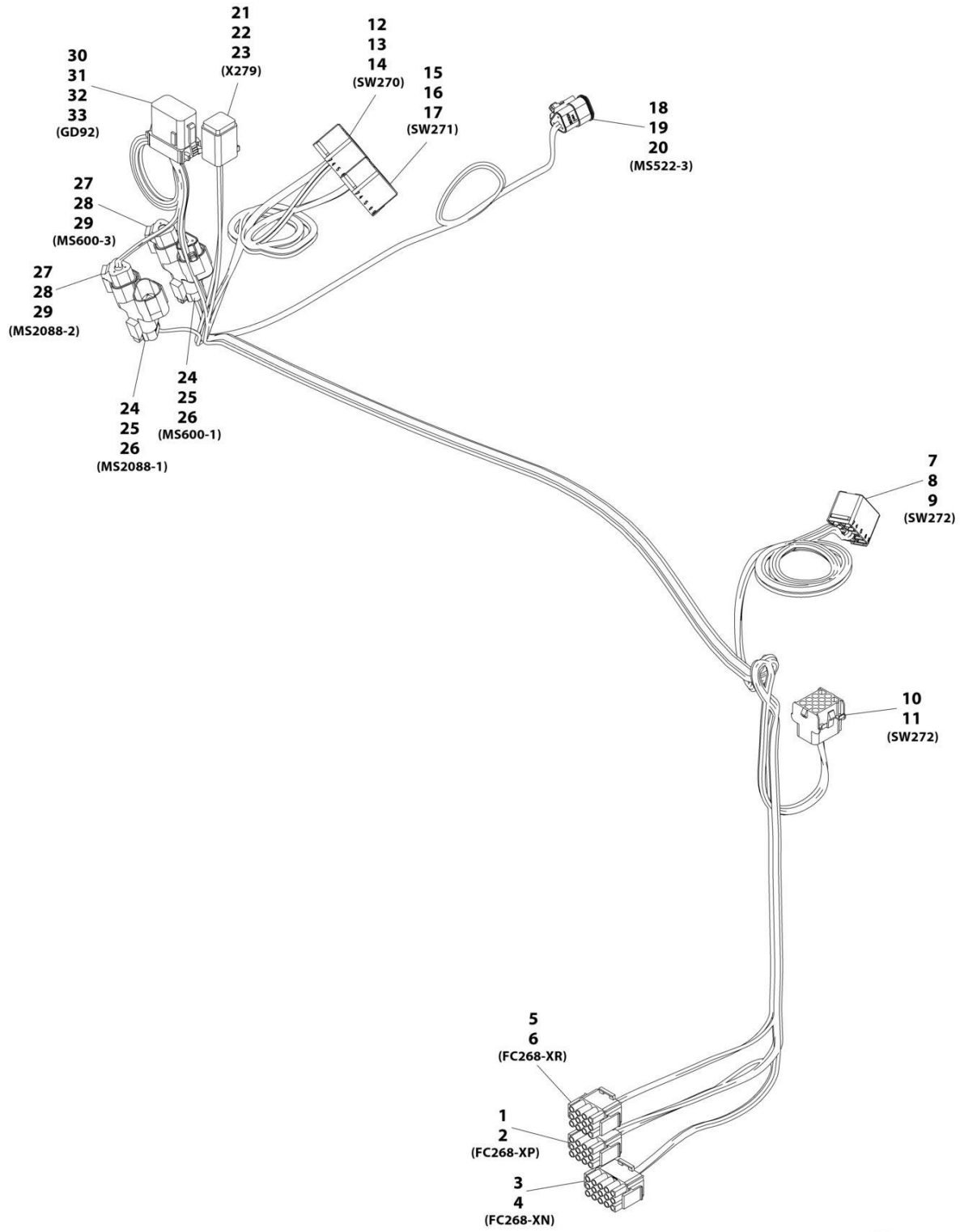
## SECTION 10 - ELECTRICAL

ITEM	PART NUMBER	QTY	DESCRIPTION	REV
50	8220051	1	Female Blade Coupler	
51	8220051	1	Female Blade Coupler	
52	8220051	1	Female Blade Coupler	
53	8220051	1	Female Blade Coupler	
54	8220051	1	Female Blade Coupler	
55	8220051	1	Female Blade Coupler	
56	1001116997	1	Connector	
57	1001118384	4	Terminal	
58	1001116723	1	Terminal	
59	4460994	1	Connector	
60	1001118384	2	Terminal	
61	4460994	1	Connector	
62	1001118384	1	Terminal	
63	1001116723	2	Terminal	
64	4460884	1	Connector	
65	4460942	4	Terminal	
66	80604021	1	Lock, Connector	
67	4460932	1	Connector	
68	4460941	4	Terminal	
69	80604021	1	Lock, Connector	
70	1001116986	1	Connector	
71	1001118384	4	Terminal	
72	1001116986	1	Connector	
73	1001118384	4	Terminal	
74	4461115	1	Connector	
75	1001116747	2	Terminal	
76	4461115	1	Connector	
77	1001116747	2	Terminal	
78	4461115	1	Connector	
79	1001116747	2	Terminal	
80	4461115	1	Connector	
81	1001116747	2	Terminal	
82	4460343	1	Connector	
83	4460268	12	Terminal	
84	4460367	1	Connector	
85	4460267	12	Terminal	



# SECTION 10 - ELECTRICAL

## FIGURE 10-22. CAB HARNESS - OPTION 2



ART\_1001266638-C



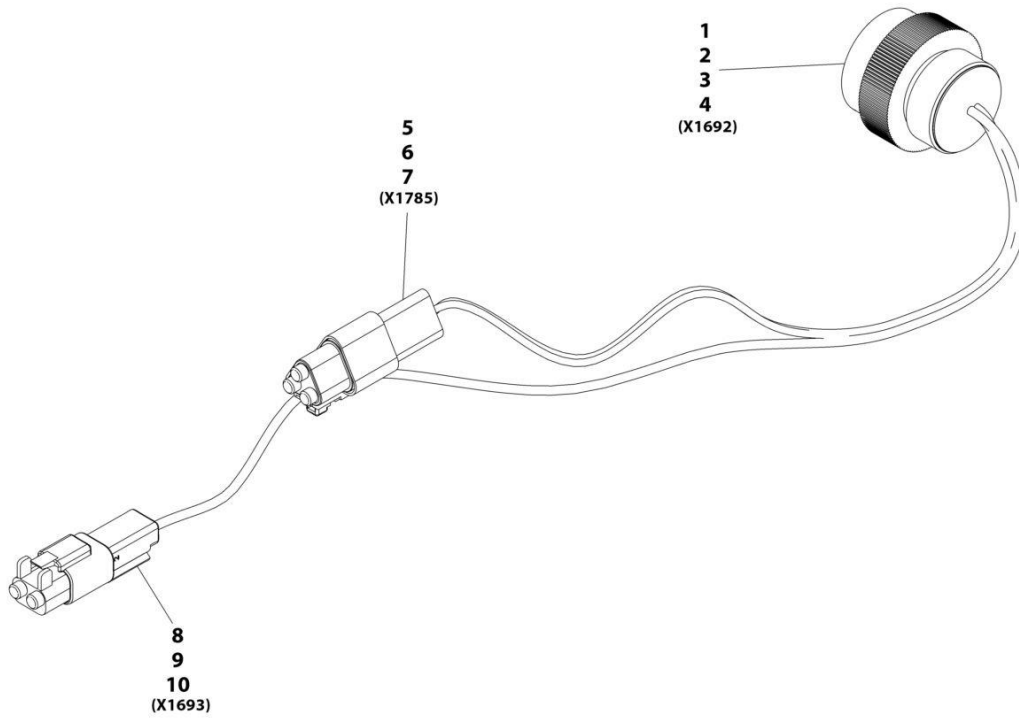
## SECTION 10 - ELECTRICAL

**FIGURE 10-22. CAB HARNESS - OPTION 2**

ITEM	PART NUMBER	QTY	DESCRIPTION	REV
	1001266638	Ref	OPTION 2 CAB HARNESS	C
1	4460343	1	Connector	
2	4460268	5	Terminal	
3	4460434	1	Connector	
4	4460268	8	Terminal	
5	4460343	1	Connector	
6	4460267	2	Terminal	
7	1001117081	1	Connector	
8	1001118384	1	Terminal	
9	1001116723	6	Terminal	
10	4460367	1	Connector	
11	4460267	6	Terminal	
12	1001117081	1	Connector	
13	1001118384	2	Terminal	
14	1001116723	4	Terminal	
15	1001117081	1	Connector	
16	1001118384	3	Terminal	
17	1001116723	2	Terminal	
18	1001116812	1	Connector	
19	4460944	2	Terminal	
20	4460466	1	Plug	
21	4460930	1	Connector	
22	4460466	6	Plug	
23	4460465	2	Terminal	
24	1001116812	1	Connector	
25	4460944	2	Terminal	
26	4460466	1	Plug	
27	4460539	1	Connector	
28	4460944	2	Terminal	
29	4460466	1	Plug	
30	1001176333	1	Connector	
31	4460466	11	Plug	
32	4460465	3	Terminal	
33	4460944	4	Terminal	

# SECTION 10 - ELECTRICAL

## FIGURE 10-23. CAB - OPTION HARNESS



ART\_1001271436-A

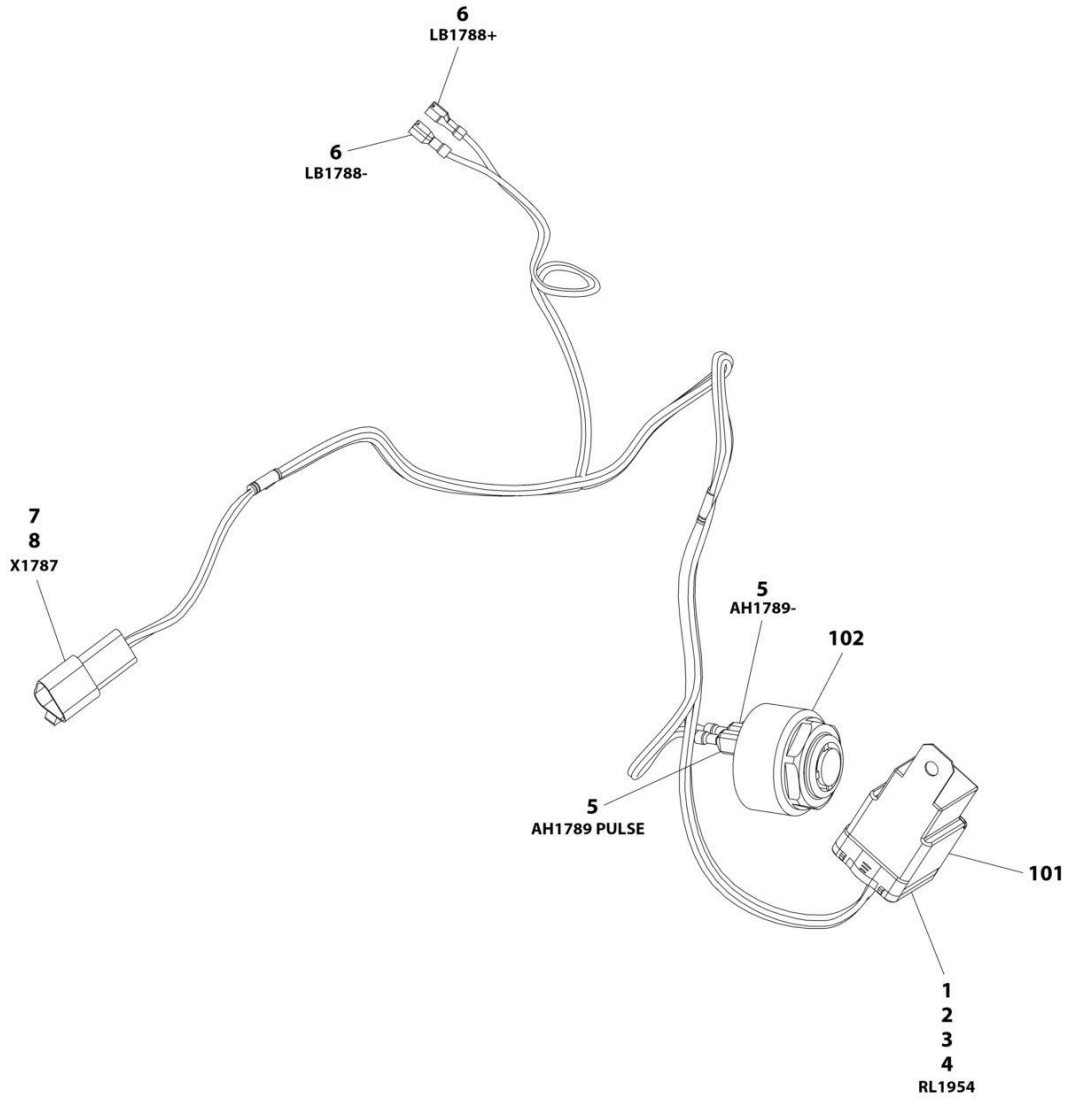
# SECTION 10 - ELECTRICAL

## FIGURE 10-23. CAB - OPTION HARNESS

ITEM	PART NUMBER	QTY	DESCRIPTION	REV
	1001271436	Ref	CAB OPTION HARNESS	A
1	4461015	1	Connector	
2	4460465	2	Terminal	
3	4460942	1	Terminal	
4	4460466	11	Plug	
5	1001144147	1	Connector	
6	4460943	2	Terminal	
7	4460466	1	Plug	
8	4460897	1	Connector	
9	4460941	1	Terminal	
10	4460466	1	Plug	

# SECTION 10 - ELECTRICAL

## FIGURE 10-24. CAB ALARM HARNESS - SEAT BELT



ART\_1001268744

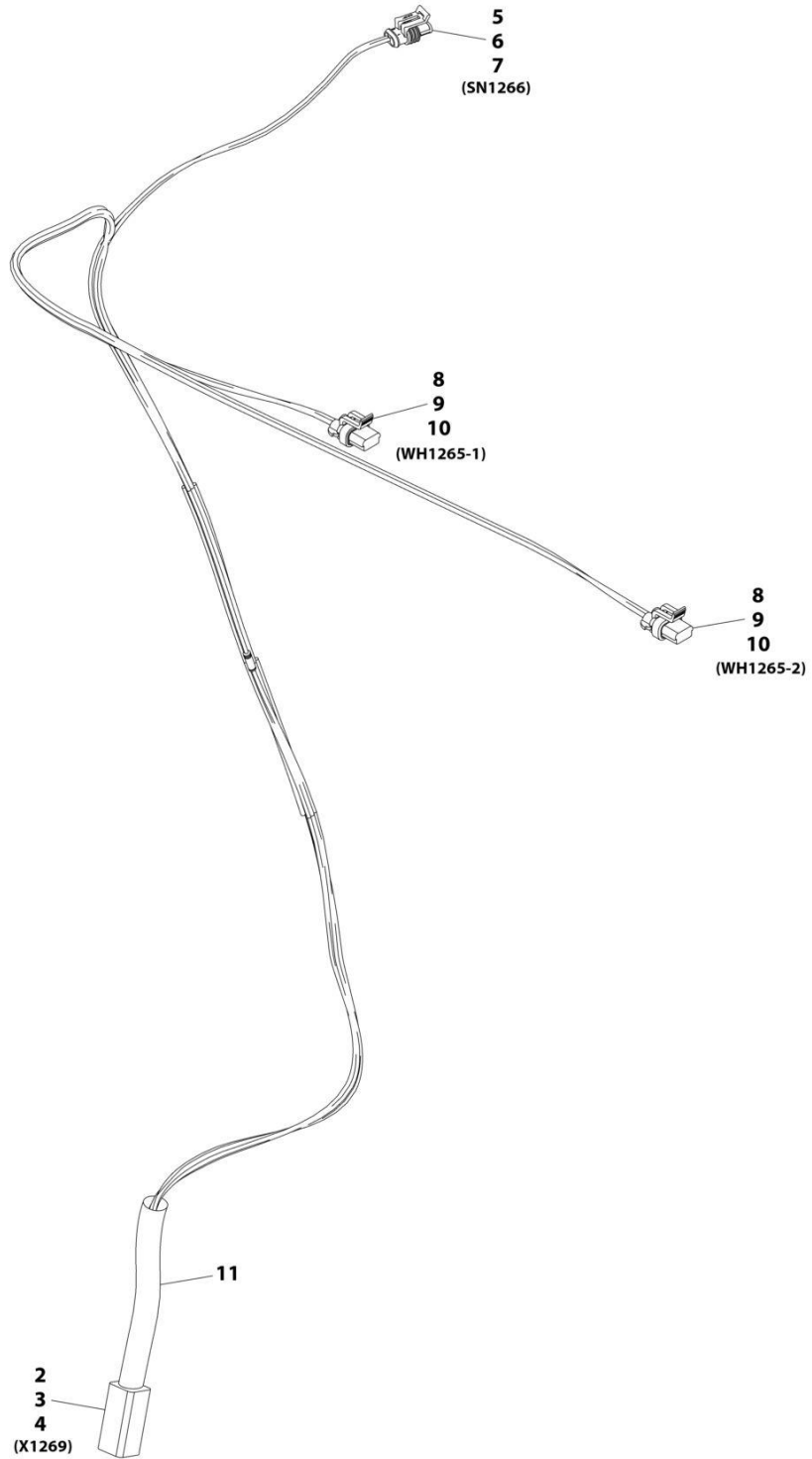
## SECTION 10 - ELECTRICAL

### FIGURE 10-24. CAB ALARM HARNESS - SEAT BELT

ITEM	PART NUMBER	QTY	DESCRIPTION	REV
	1001268744	Ref	SEAT BELT ALARAM HARNESS	A
1	1001231398	1	Connector	
2	1001231400	4	Terminal	
3	1001231406	1	Terminal	
4	1001231404	4	Plug	
5	1001194421	2	Terminal	
6	1001201885	2	Terminal	
7	4460536	1	Connector	
8	4460464	3	Terminal	
101	3740080	1	Relay, Weather Proof	
102	1001091751	1	Buzzer Alarm	

# SECTION 10 - ELECTRICAL

## FIGURE 10-25. CAB - A/C OPTION HARNESS



ART\_1001169151-E

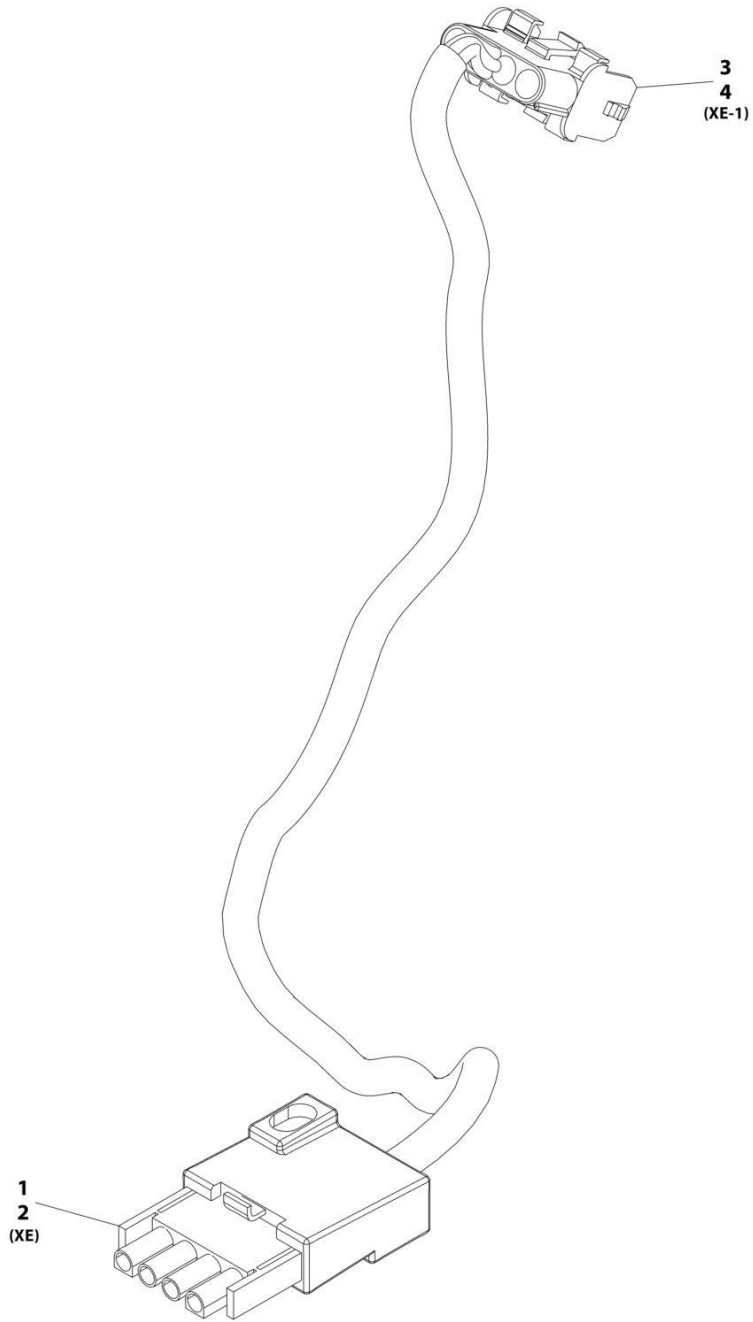
# SECTION 10 - ELECTRICAL

## FIGURE 10-25. CAB - A/C OPTION HARNESS

ITEM	PART NUMBER	QTY	DESCRIPTION	REV
	1001169151	Ref	A/C Option Harness	E
2	4460899	1	Connector	
3	4460941	4	Terminal	
4	4460464	2	Terminal	
5	4461118	1	Connector	
6	1001107854	2	Terminal	
7	1001116763	2	Seal	
8	1001117021	2	Connector	
9	1001116747	4	Terminal	
10	4460789	4	Seal	
11	70028546	1	Backshell	

# SECTION 10 - ELECTRICAL

FIGURE 10-26. CAB - COMMUNICATION ANALYZER CABLE



ART\_1001213988-A



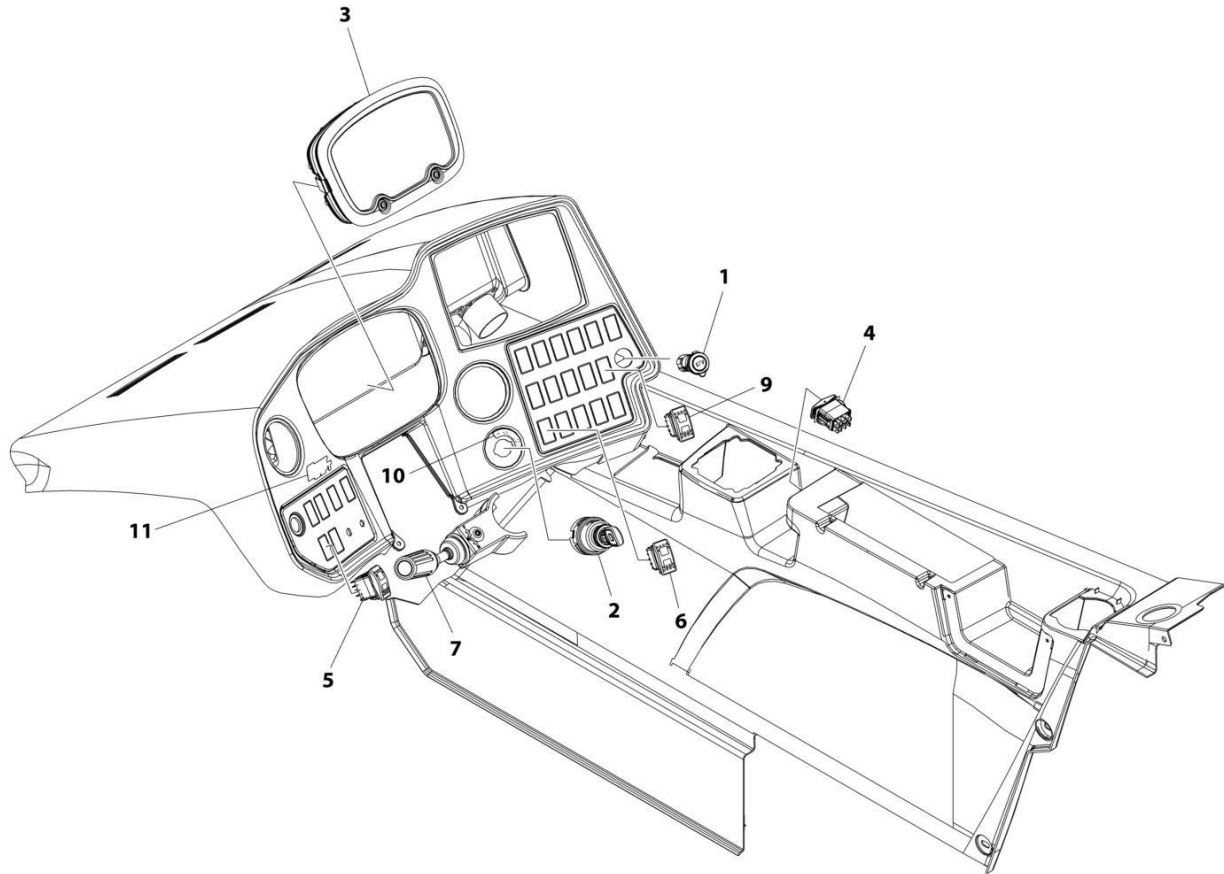
**SECTION 10 - ELECTRICAL**

**FIGURE 10-26. CAB - COMMUNICATION ANALYZER CABLE**

ITEM	PART NUMBER	QTY	DESCRIPTION	REV
	1001213988	Ref	Communication Analyzer Cable	A
1	4460321	1	Connector	
2	4460268	4	Terminal	
3	4460761	1	Connector	
4	4460267	4	Terminal	

# SECTION 10 - ELECTRICAL

## FIGURE 10-27. CAB - DASH ELECTRICAL INSTALLATION (LS)



ART\_1001203225\_E

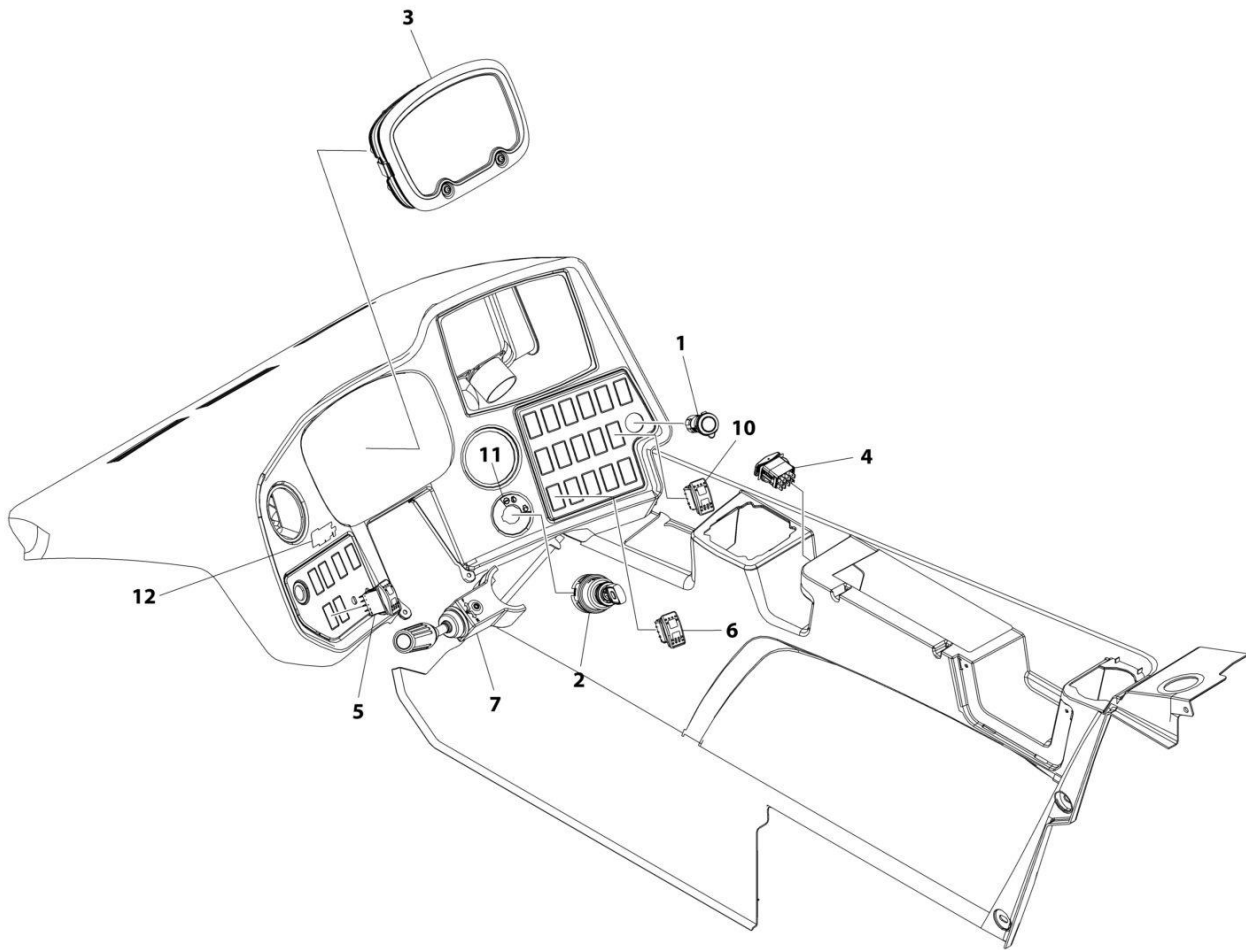
**SECTION 10 - ELECTRICAL**

**FIGURE 10-27. CAB - DASH ELECTRICAL INSTALLATION (LS)**

ITEM	PART NUMBER	QTY	DESCRIPTION	REV
	1001203225	Ref	Dash Electrical Installation (LS)	E
1	1001095804	1	Connector, 12V Power Socket	
2	1001102502	1	Switch, 4 Position Key	
2	70022765	1	Key, Ignition	
3	1001202454	1	Cluster, Electrical Gauge	
4	1001212470	1	Switch, Frame Level	
5	1001159753	1	Switch, Park Brake	
6	1001159849	1	Switch, Steer Mode	
7	1001239793	1	Switch, FNR 4 Speed	
9	1001104654	1	Switch, AUX	
10	1001181531	1	Decal, Ignition Switch	
11	1001262072	1	Decal, Smart Shift Logo	

# SECTION 10 - ELECTRICAL

## FIGURE 10-28. CAB - DASH ELECTRICAL INSTALLATION (ULS)



ART\_1001173849\_I

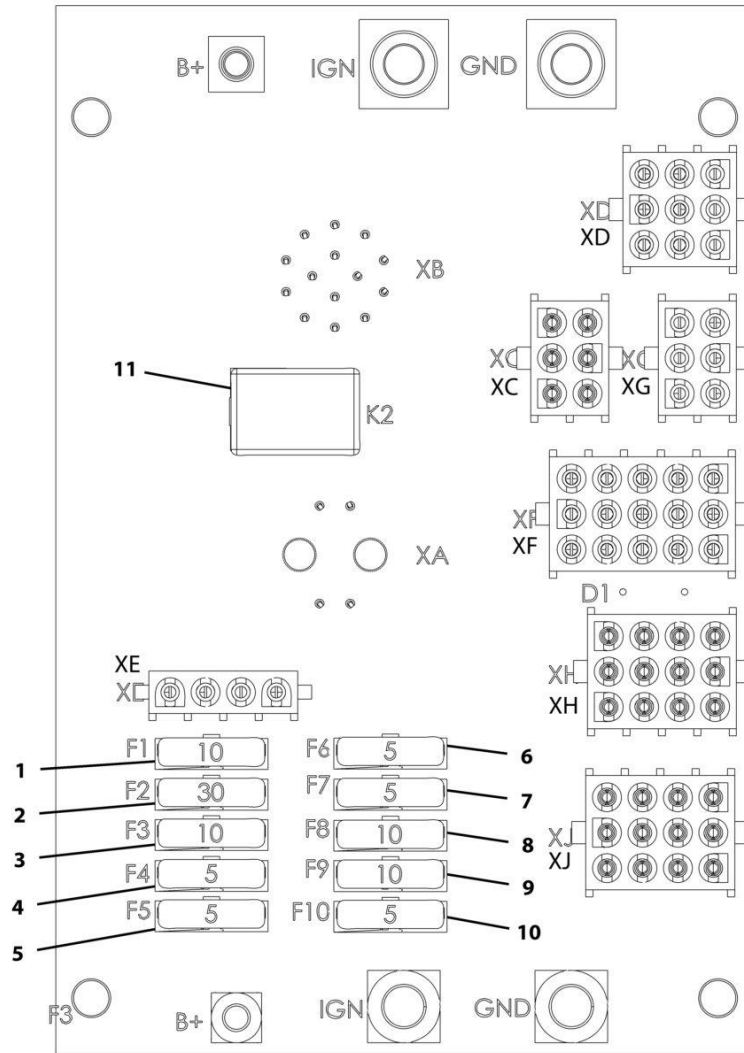
## SECTION 10 - ELECTRICAL

**FIGURE 10-28. CAB - DASH ELECTRICAL INSTALLATION (ULS)**

ITEM	PART NUMBER	QTY	DESCRIPTION	REV
	1001173849	Ref	Dash Electrical Installation (if equipped for ULS)	I
1	1001095804	1	Connector, 12V Power Socket	
2	1001102502	1	Switch, 4 Position Key	
2	70022765	1	Key, Ignition	
3	1001158146	1	Cluster, Electrical Gauge	
4	1001212470	1	Switch, Frame Level	
5	1001159753	1	Switch, Park Brake	
6	1001159849	1	Switch, Steer Mode	
7	1001239793	1	Switch, FNR 4 Speed	
10	1001104654	1	Switch, AUX	
11	1001181531	1	Decal, Ignition Switch	
12	1001262072	1	Decal, Smart Shift Logo	

# SECTION 10 - ELECTRICAL

FIGURE 10-29. CAB FUSE BOARD ASSEMBLY - STANDARD



ART\_1001161769-C

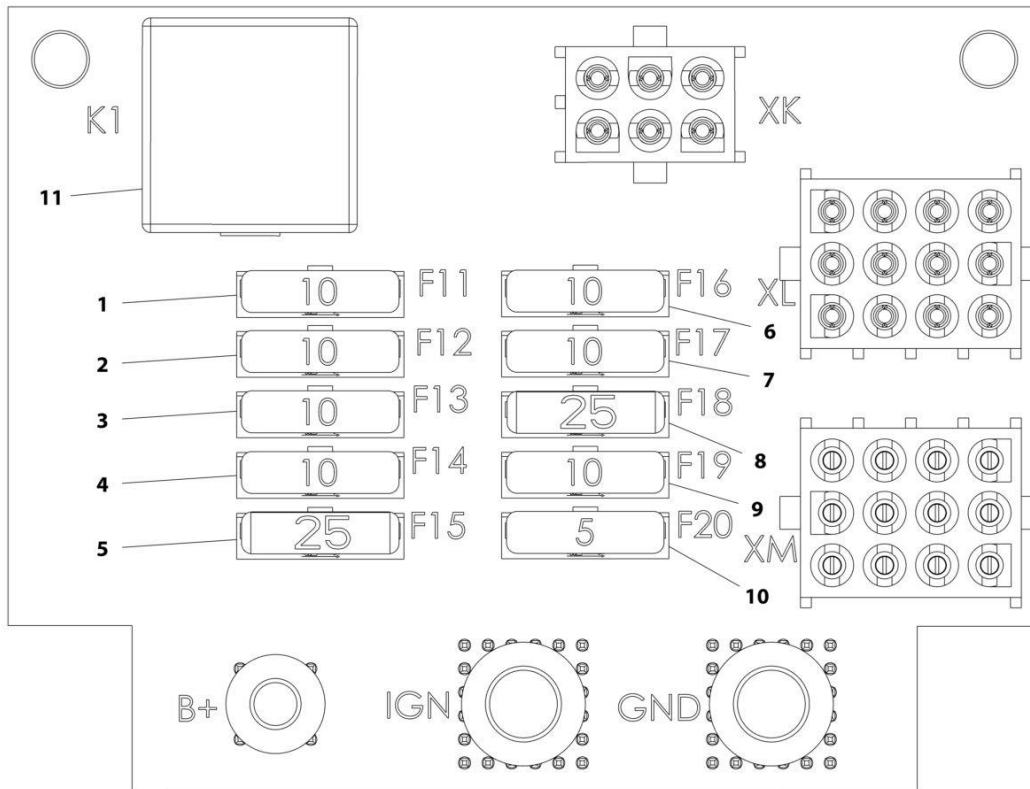
## SECTION 10 - ELECTRICAL

### FIGURE 10-29. CAB FUSE BOARD ASSEMBLY - STANDARD

ITEM	PART NUMBER	QTY	DESCRIPTION	REV
	1001161769	Ref	Standard Electrical Board Assembly	C
1	80983191	1	Fuse, 10AMP	
2	8229245	1	Fuse, 30AMP	
3	80983191	1	Fuse, 10AMP	
4	8229242	1	Fuse, 5AMP	
5	8229242	1	Fuse, 5AMP	
6	8229242	1	Fuse, 5AMP	
7	8229242	1	Fuse, 5AMP	
8	80983191	1	Fuse, 10AMP	
9	80983191	1	Fuse, 10AMP	
10	8229242	1	Fuse, 5AMP	
11	70026292	1	Fuse, 35AMP	

# SECTION 10 - ELECTRICAL

## FIGURE 10-30. CAB FUSE BOARD ASSEMBLY - OPTION 1



ART\_1001161770-C



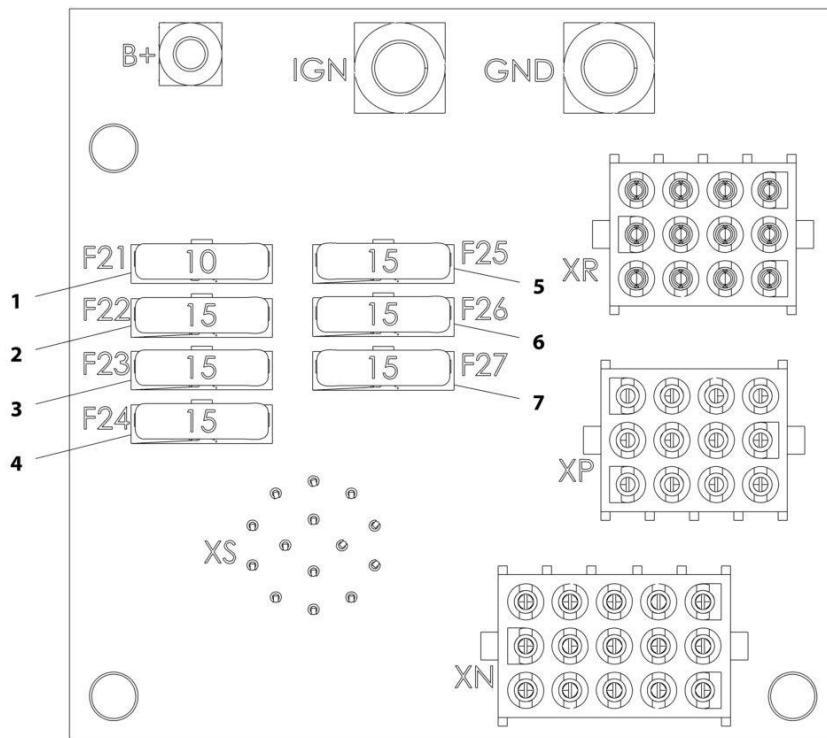
**SECTION 10 - ELECTRICAL**

**FIGURE 10-30. CAB FUSE BOARD ASSEMBLY - OPTION 1**

ITEM	PART NUMBER	QTY	DESCRIPTION	REV
	1001161770	Ref	Option 1 Electrical Board Assembly	C
1	80983191	1	Fuse, 10AMP	
2	80983191	1	Fuse, 10AMP	
3	80983191	1	Fuse, 10AMP	
4	80983191	1	Fuse, 10AMP	
5	8229247	1	Fuse, 25AMP	
6	80983191	1	Fuse, 10AMP	
7	80983191	1	Fuse, 10AMP	
8	8229247	1	Fuse, 25AMP	
9	80983191	1	Fuse, 10AMP	
10	8229242	1	Fuse, 5AMP	
11	70026293	1	Fuse, 50AMP	

# SECTION 10 - ELECTRICAL

## FIGURE 10-31. CAB FUSE BOARD ASSEMBLY - OPTION 2



ART\_1001161771-B

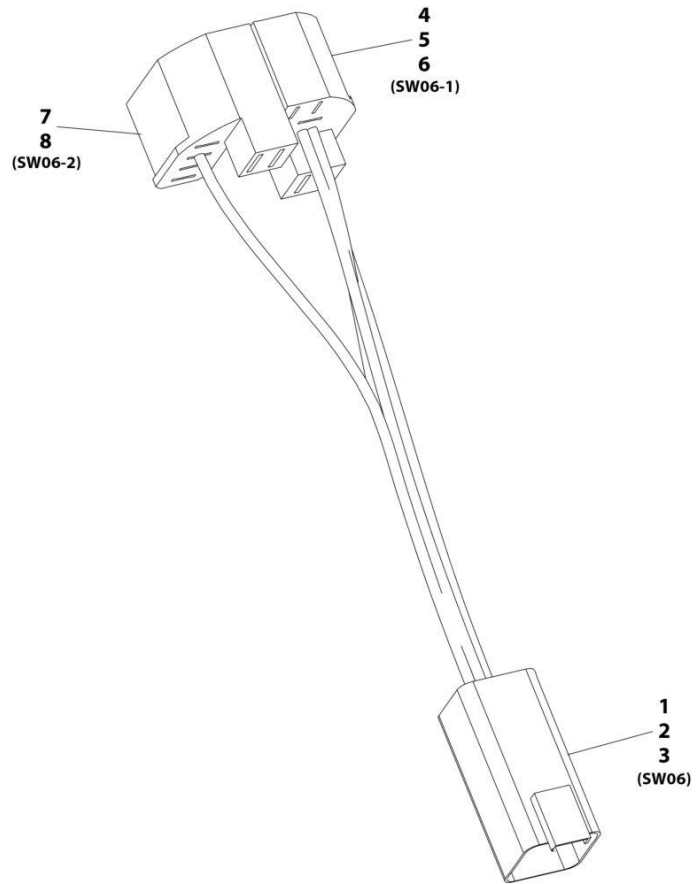
# SECTION 10 - ELECTRICAL

## FIGURE 10-31. CAB FUSE BOARD ASSEMBLY - OPTION 2

ITEM	PART NUMBER	QTY	DESCRIPTION	REV
	1001161771	Ref	Option 2 Electrical Board Assembly	B
1	80983191	1	Fuse, 10AMP	
2	8229244	1	Fuse, 15AMP	
3	8229244	1	Fuse, 15AMP	
4	8229244	1	Fuse, 15AMP	
5	8229244	1	Fuse, 15AMP	
6	8229244	1	Fuse, 15AMP	
7	8229244	1	Fuse, 15AMP	

# SECTION 10 - ELECTRICAL

## FIGURE 10-32. CAB KEY HARNESS



ART\_1001241610-A

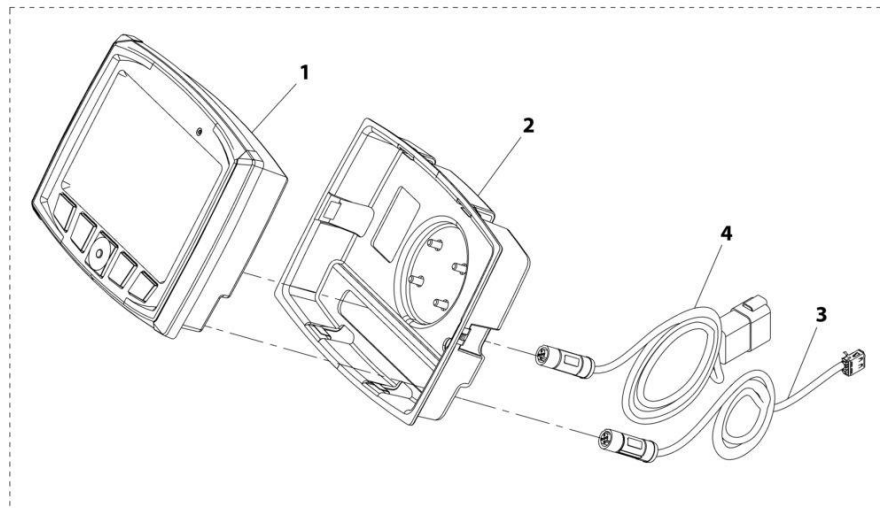
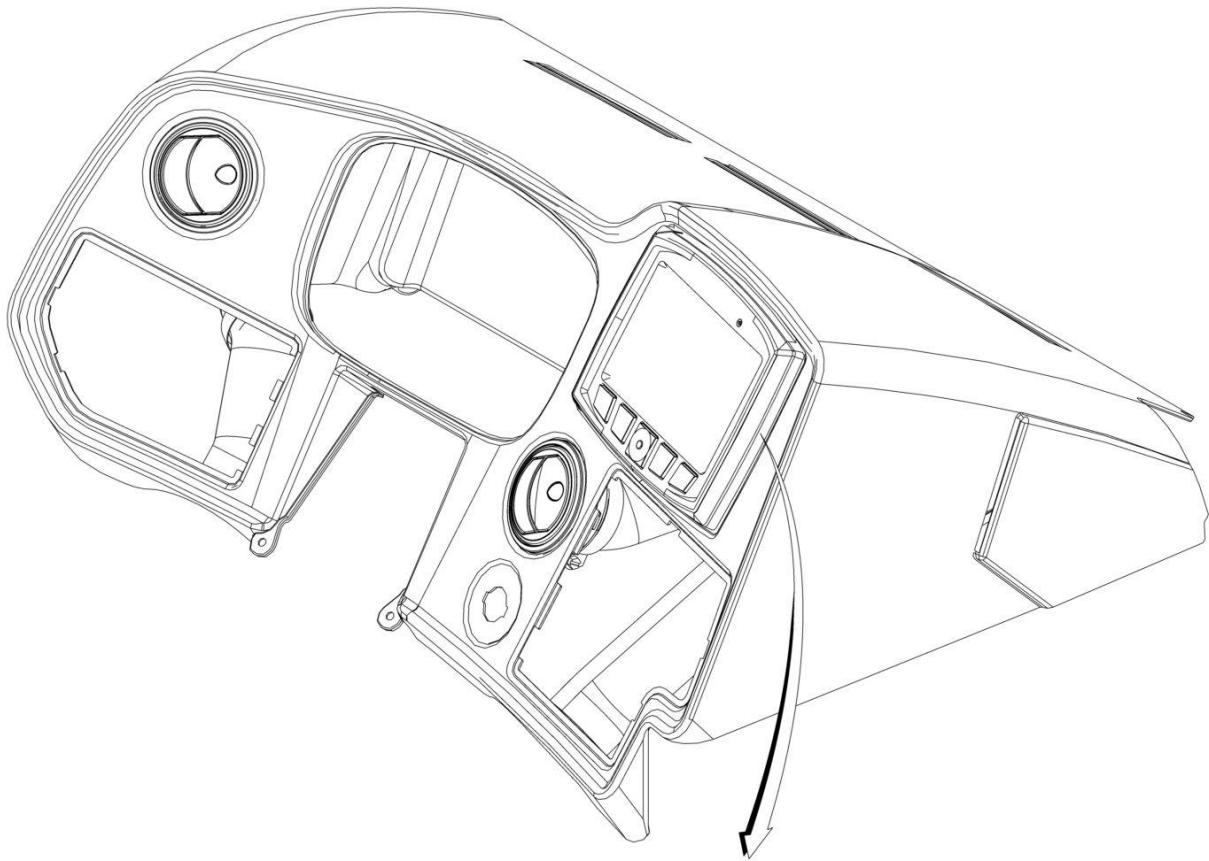
**SECTION 10 - ELECTRICAL**

**FIGURE 10-32. CAB KEY HARNESS**

ITEM	PART NUMBER	QTY	DESCRIPTION	REV
	1001241610	Ref	Key Harness	A
1	4460899	1	Connector	
2	4460464	4	Terminal	
3	4460466	2	Plug	
4	1001118685	1	Connector	
5	1001104519	2	Terminal	
6	1001118383	1	Terminal	
7	1001117121	1	Connector	
8	1001104519	1	Terminal	

# SECTION 10 - ELECTRICAL

## FIGURE 10-33. CAB - MULTIFUNCTION DISPLAY INSTALLATION



ART\_1001176338-C

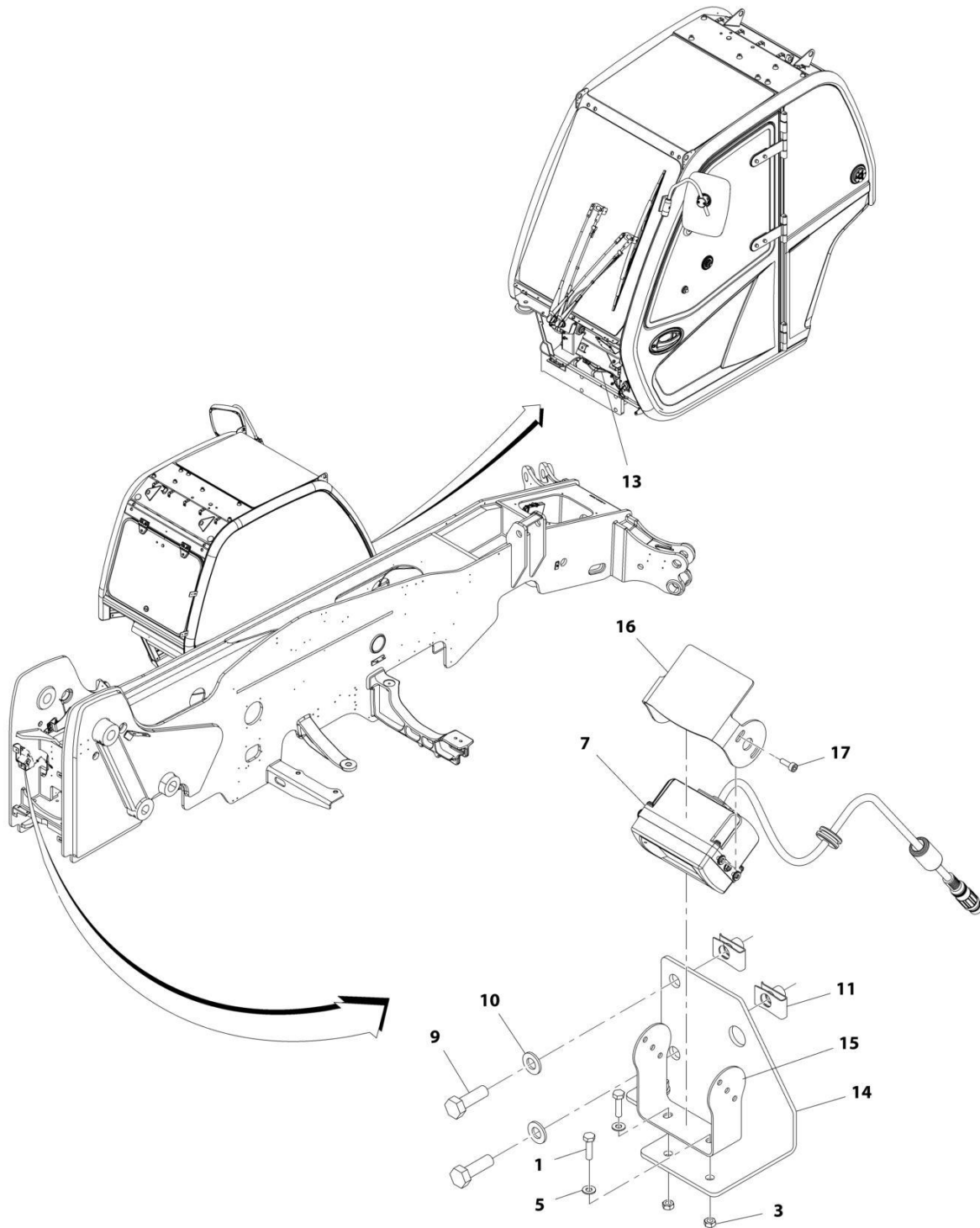
## SECTION 10 - ELECTRICAL

### FIGURE 10-33. CAB - MULTIFUNCTION DISPLAY INSTALLATION

ITEM	PART NUMBER	QTY	DESCRIPTION	REV
	1001176338	Ref	Multifunction Display Installation	C
1	1001250161	1	Display	
2	1001178783	1	Bezel	
3	1001180682	1	Cable	
4	1001180683	1	Cable, Video	

# SECTION 10 - ELECTRICAL

## FIGURE 10-34. CAMERA INSTALLATION - REVERSE



ART\_1001168031-E



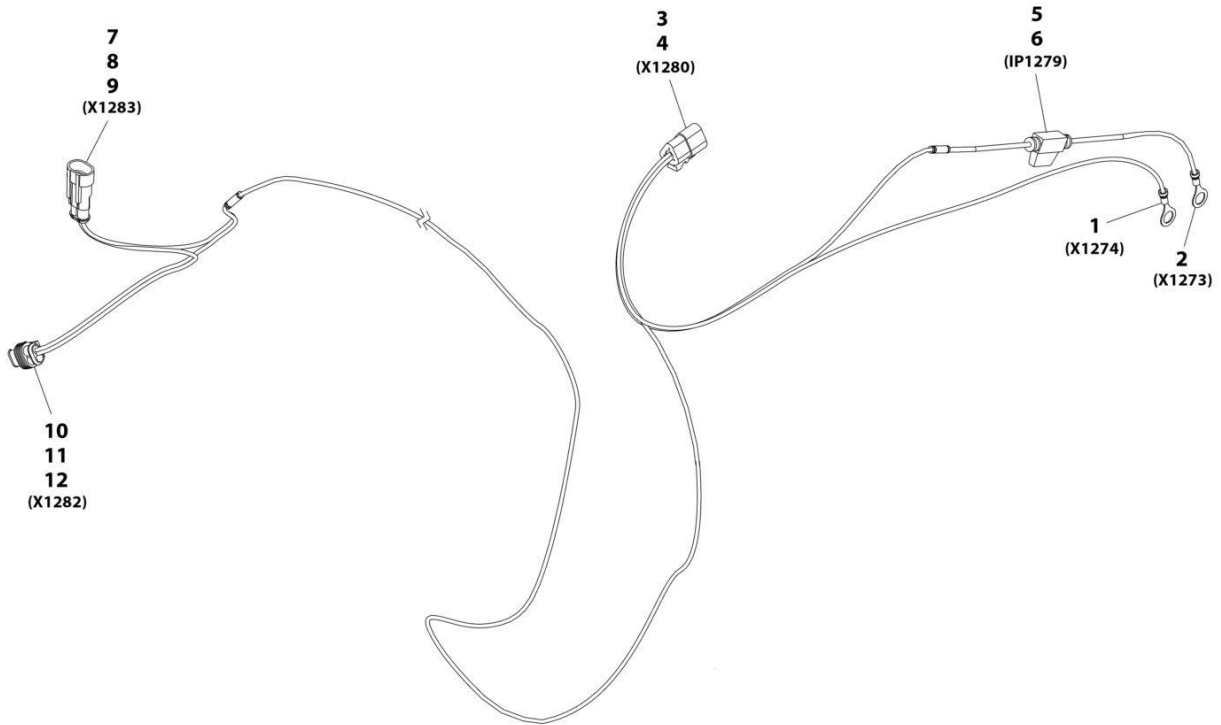
# SECTION 10 - ELECTRICAL

## FIGURE 10-34. CAMERA INSTALLATION - REVERSE

ITEM	PART NUMBER	QTY	DESCRIPTION	REV
	1001168031	Ref	Reverse Camera Installation	E
1	0700408	2	Bolt, M4X16	
3	3290401	2	Nut, M4X0.7	
5	4811400	2	Washer, M4	
7	1001167017	1	Camera	
9	0760812	3	Bolt, M8X25	
10	4811900	3	Washer, M8	
11	8310686	3	Nut, Retainer M8X12.5	
13	1001171962	1	Cable, Reverse Camera	
14	1001202620	1	Bracket, Reverse Camera Mount	
15	1001202621	1	Bracket, Reverse Camera Mount	
16	1001202622	1	Bracket, Reverse Sun Shield	
17	4031205	4	Bolt, M3X10	

# SECTION 10 - ELECTRICAL

## FIGURE 10-35. CAMERA HARNESS (REVERSE CAMERA)



ART\_1001245323-A

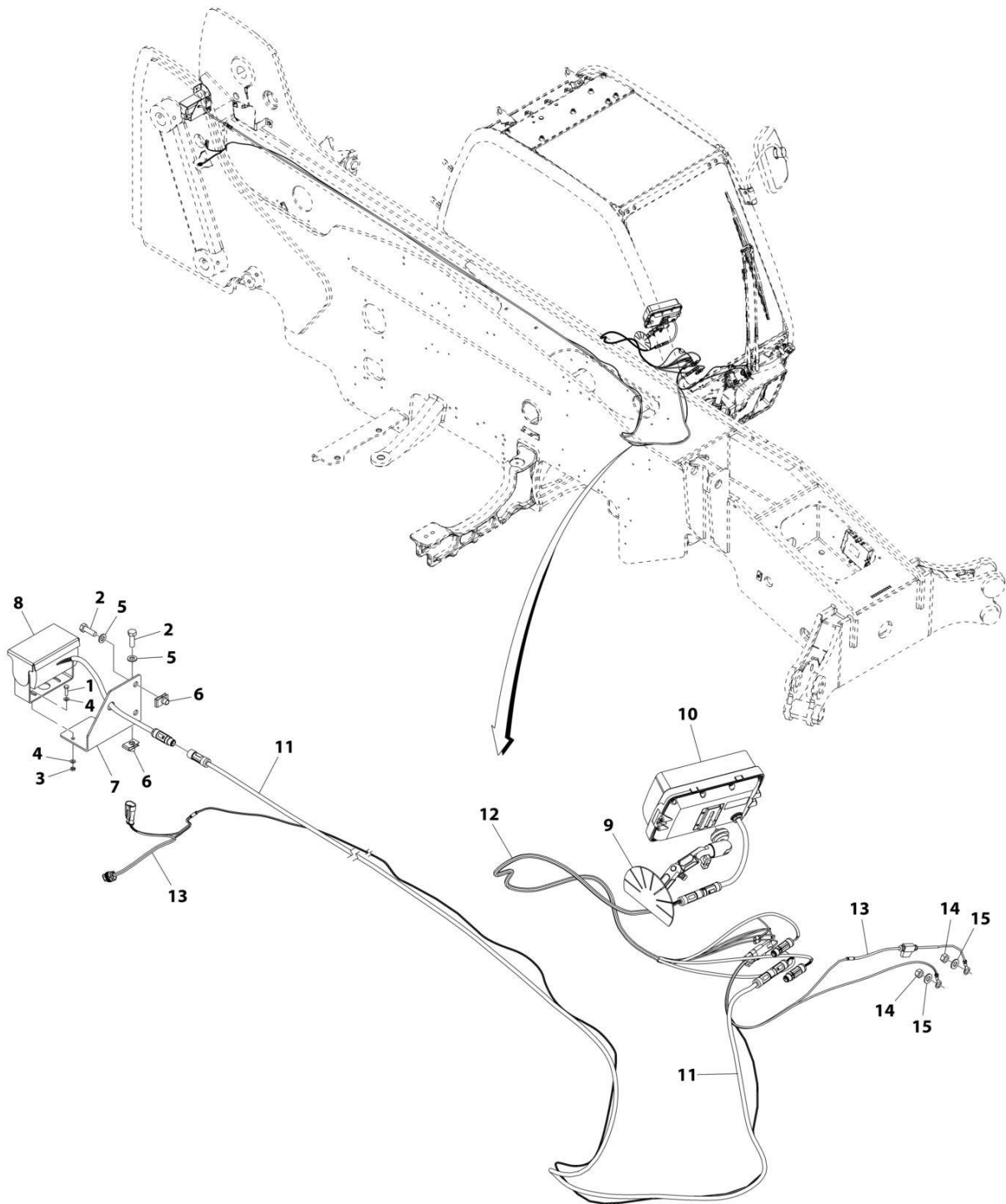
# SECTION 10 - ELECTRICAL

## FIGURE 10-35. CAMERA HARNESS (REVERSE CAMERA)

ITEM	PART NUMBER	QTY	DESCRIPTION	REV
	1001245323	Ref	Rear Camera Option Harness	A
1	4460670	1	Terminal Ring	
2	4460670	1	Terminal Ring	
3	4460539	1	Connector	
4	4460465	3	Terminal	
5	2400060	1	Connector	
6	8229242	1	Terminal	
7	4461227	1	Connector	
8	1001104497	2	Terminal	
9	1001116763	2	Seal	
10	4461118	1	Connector	
11	1001107854	2	Terminal	
12	1001116763	2	Seal	

# SECTION 10 - ELECTRICAL

## FIGURE 10-36. CAMERA INSTALLATION - REVERSE WITHOUT HED



ART\_1001233399-A

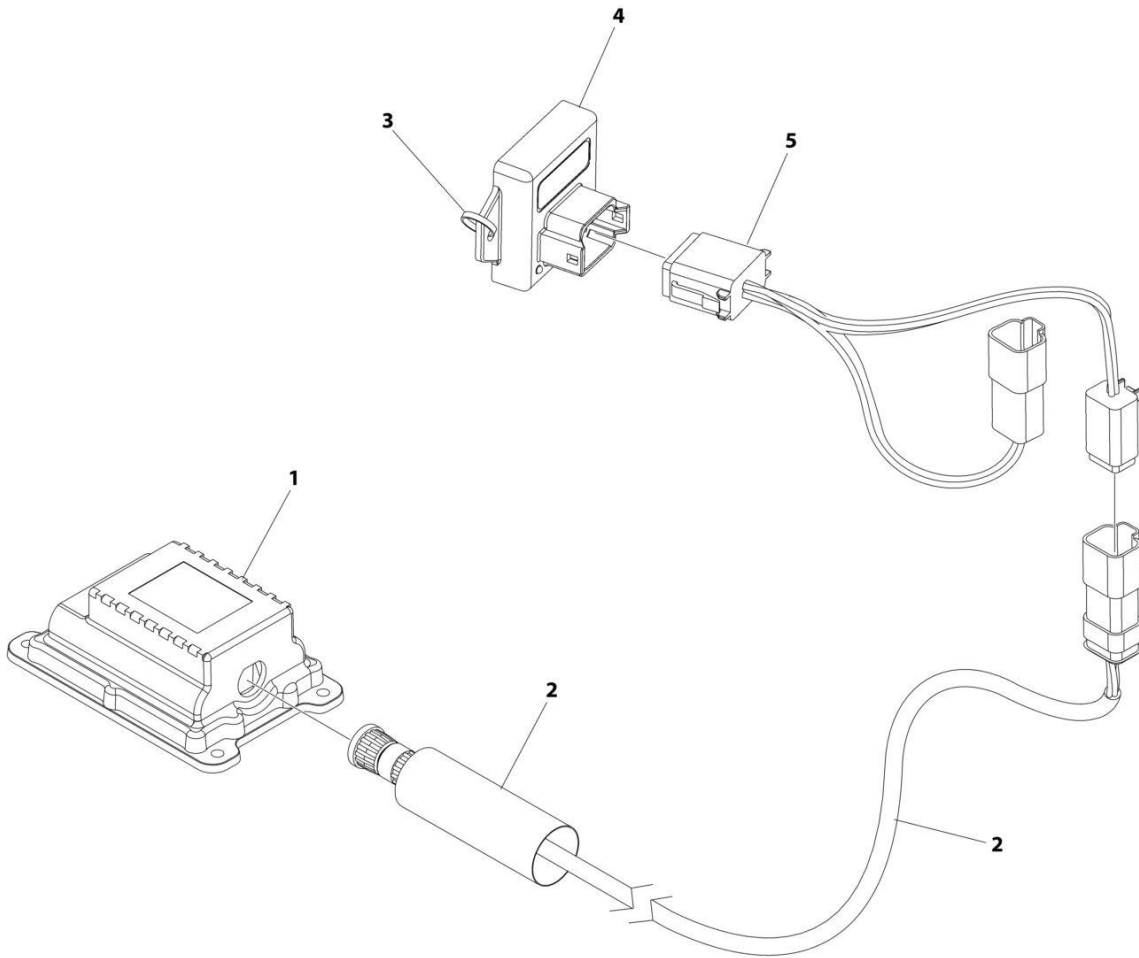
## SECTION 10 - ELECTRICAL

**FIGURE 10-36. CAMERA INSTALLATION - REVERSE WITHOUT HED**

ITEM	PART NUMBER	QTY	DESCRIPTION	REV
	1001233399	Ref	Backup Camera Installation, No HED	A
1	0700408	2	Bolt, M4X16	
2	0760812	3	Bolt, M8X25	
3	3290401	2	Nut, M4X0.7	
4	4811400	4	Washer, M4	
5	4811900	3	Washer, M8	
6	8310686	3	Nut, Retainer M8X12.5	
7	1001233832	1	Bracket	
8	1001233174	1	Camera, Rear View	
9	1001233199	1	Bracket	
10	1001233202	1	Monitor	
11	1001233434	1	Harness, Extension Cable, Camera	
12	1001233435	1	Harness, Backup Camera	
13	1001245323	1	Harness, Rear Camera Option (See Separate Breakdown in this Section)	
14	3271505	2	Nut, 5/16	
15	4711500	2	Washer 5/16	

# SECTION 10 - ELECTRICAL

## FIGURE 10-37. CLEARSKY/TELEMATICS INSTALLATION - 3-WIRE (NA)



ART\_1001229107

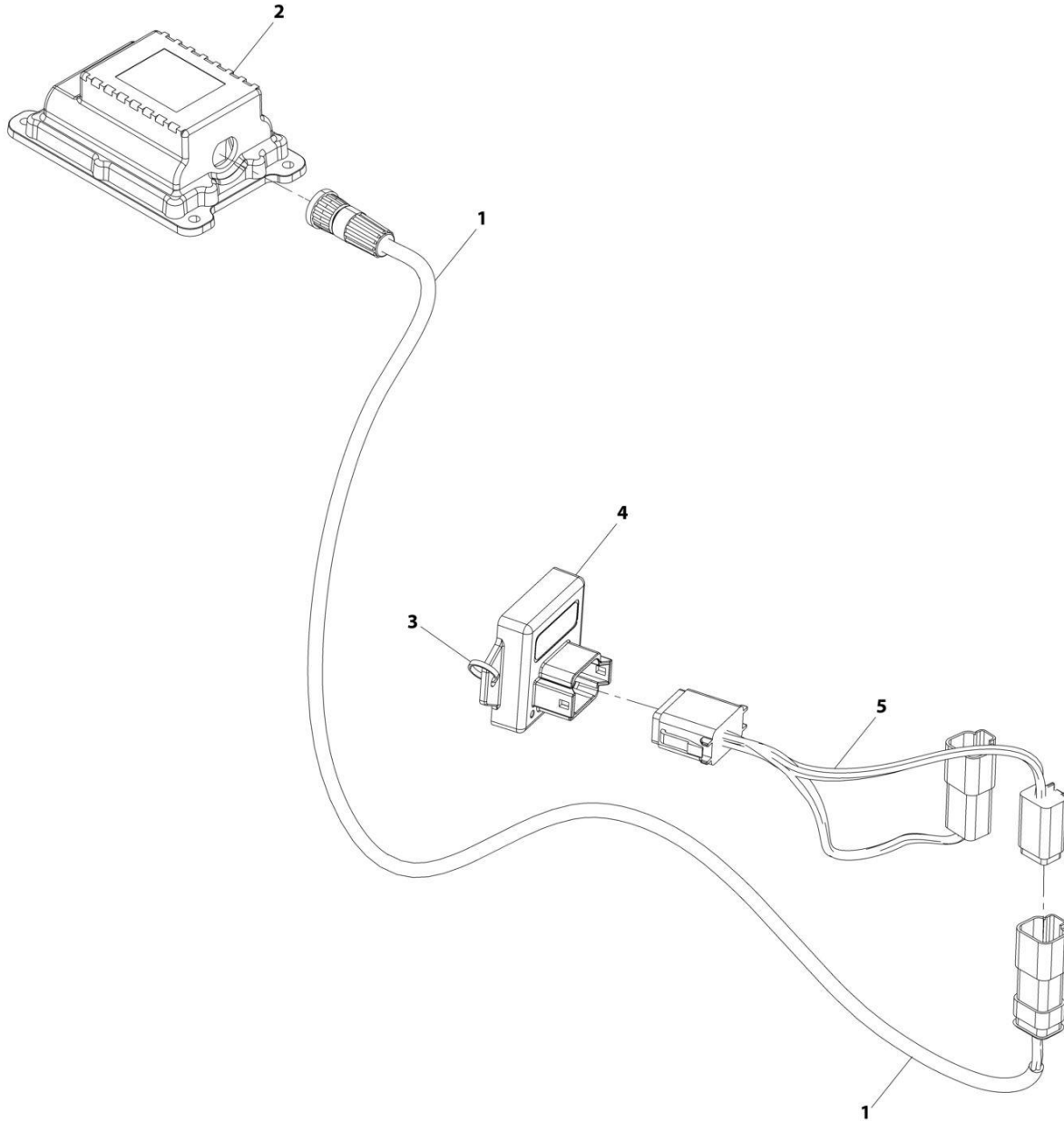
## SECTION 10 - ELECTRICAL

**FIGURE 10-37. CLEARSKY/TELEMATICS INSTALLATION - 3-WIRE (NA)**

ITEM	PART NUMBER	QTY	DESCRIPTION	REV
	1001229107	Ref	CLEARSKY INSTALLATION 3-WIRE	D
1	1001226328	1	Module, 3W TCU	
2	1001227066	1	Telematics ClearSky Harness (See Separate Breakdown in this Section)	
3	4240032	AR	Tie-Strap	
4	1001262960	1	Voltage Regulator	
5	1001262963	1	Harness, Xirgo Jumper	

# SECTION 10 - ELECTRICAL

## FIGURE 10-38. CLEARSKY/TELEMATICS INSTALLATION - 3-WIRE (CE)



ART\_1001233237



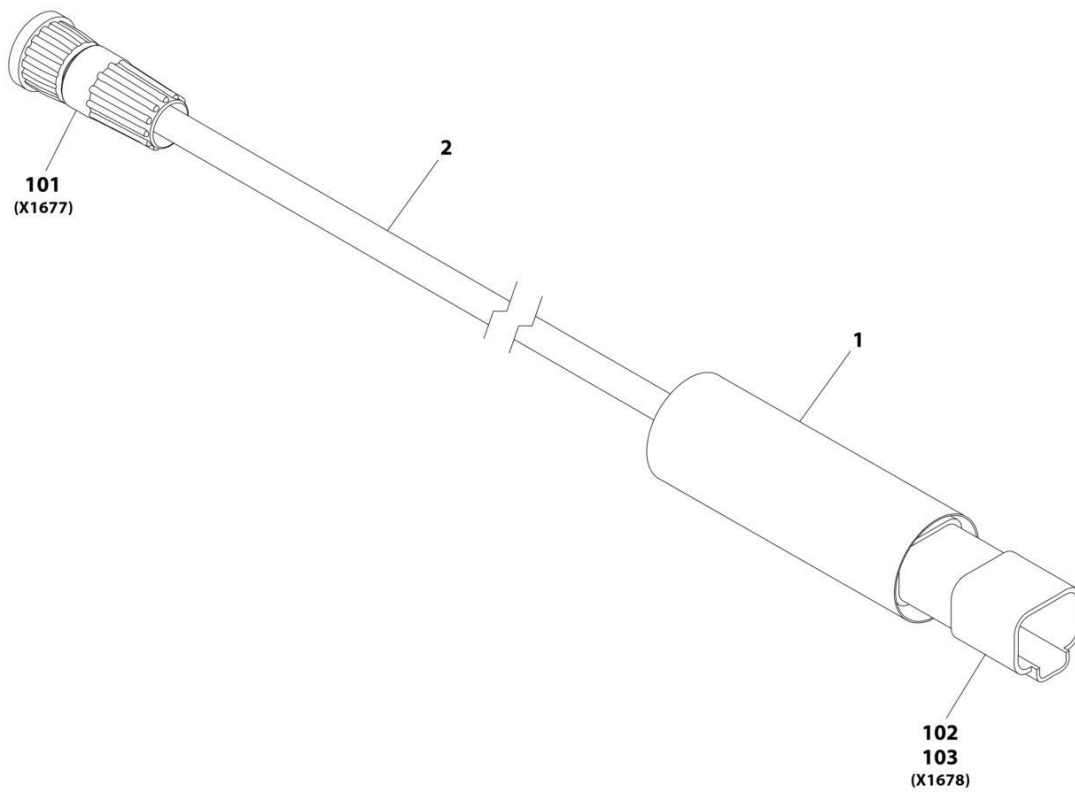
**SECTION 10 - ELECTRICAL**

**FIGURE 10-38. CLEARSKY/TELEMATICS INSTALLATION - 3-WIRE (CE)**

ITEM	PART NUMBER	QTY	DESCRIPTION	REV
	1001233237	Ref	Clearsky Installation 3-Wire (CE)	D
1	1001227066	1	Telematics Harness (See Separate Breakdown in this Section)	
2	1001233236	1	Module, 3W TCU	
3	4240032	AR	Tie Strap	
4	1001262960	1	Voltage Regulator	
5	1001262963	1	Harness, Xirgo Jumper	

# SECTION 10 - ELECTRICAL

## FIGURE 10-39. CLEARSKY/TELEMATICS HARNESS - 3-WIRE



ART\_1001227066-A

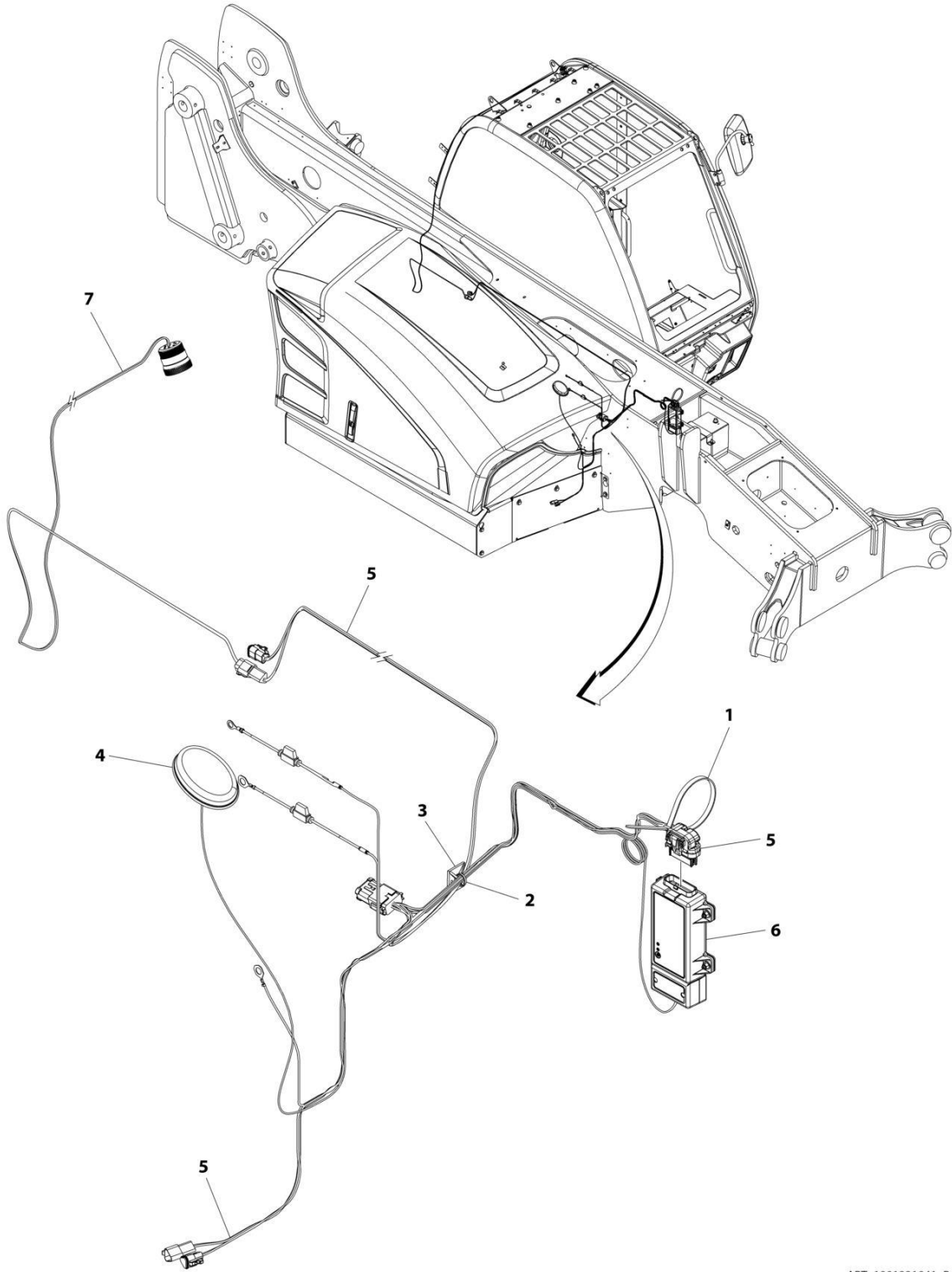
**SECTION 10 - ELECTRICAL**

**FIGURE 10-39. CLEARSKY/TELEMATICS HARNESS - 3-WIRE**

<b>ITEM</b>	<b>PART NUMBER</b>	<b>QTY</b>	<b>DESCRIPTION</b>	<b>REV</b>
	1001227066	Ref	CLEARSKY TELEMATICS HARNESS	A
1	1001226400	0.33 ft	Insulate, Heat Shrink	
2	1001227068	3.3 ft	Cable	
101	1001227266	1	Connector	
102	1001129407	1	Connector	
103	4460464	4	Terminal	

# SECTION 10 - ELECTRICAL

## FIGURE 10-40. CLEARSKY/TELEMATICS INSTALLATION - CANBUS (NA)



ART\_1001221941\_B

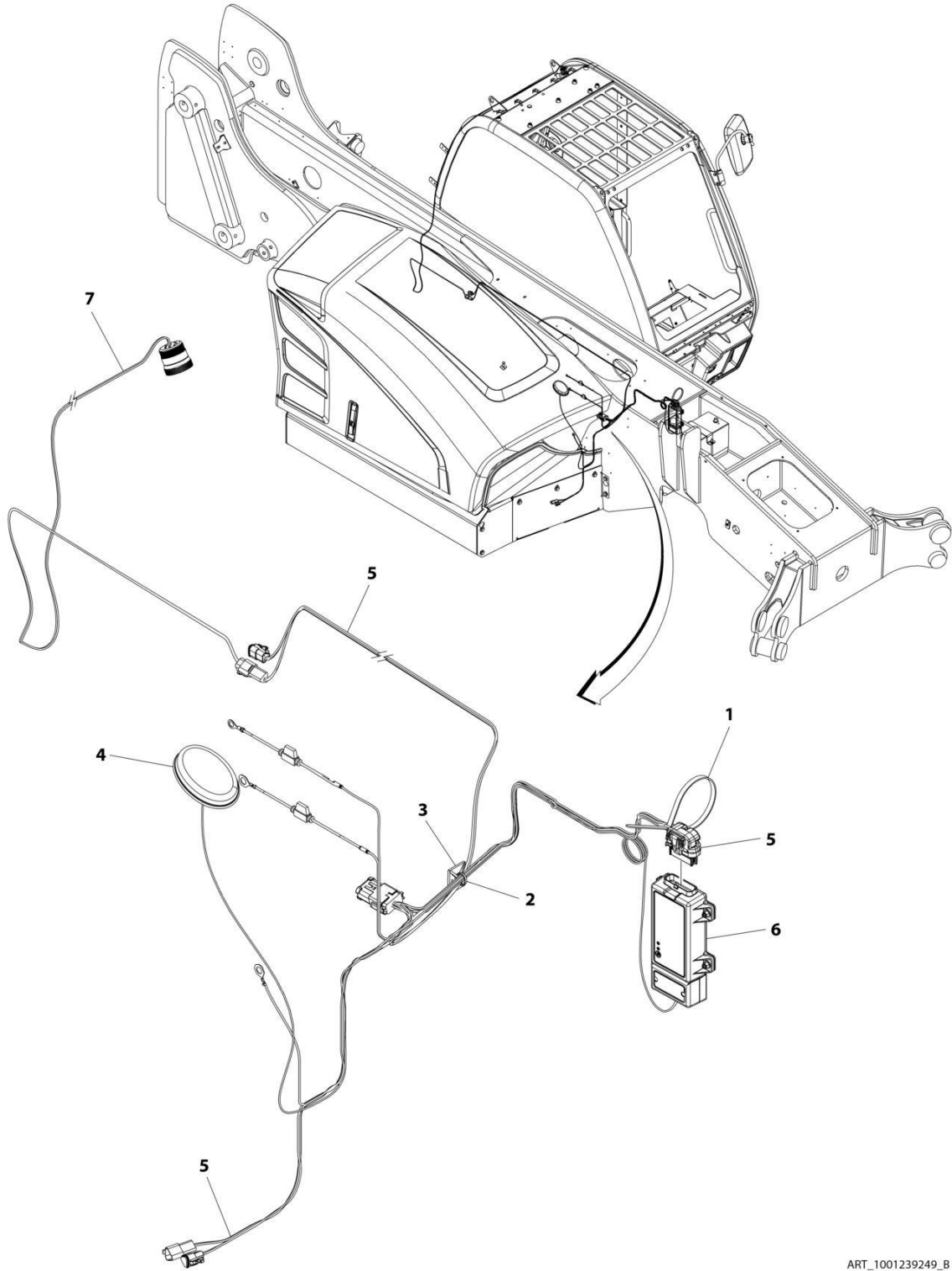
## SECTION 10 - ELECTRICAL

**FIGURE 10-40. CLEARSKY/TELEMATICS INSTALLATION - CANBUS (NA)**

ITEM	PART NUMBER	QTY	DESCRIPTION	REV
	1001221941	Ref	Telematics Canbus Installation (Clearsky 2)	B
1	1062255	AR	Tie, Strap	
2	4240032	AR	Tie, Strap	
3	4460234	AR	Tie, Strap	
4	1001226799	1	Antenna	
5	1001227297	1	Harness, 4ward Telematics (Clearsky 2) (See Separate Breakdown in this section)	
6	1001229955	1	Module	
7	1001254185	1	Harness, Adapter (See Separate Breakdown in this section)	

# SECTION 10 - ELECTRICAL

## FIGURE 10-41. CLEARSKY/TELEMATICS INSTALLATION - CANBUS (CE)



ART\_1001239249\_B

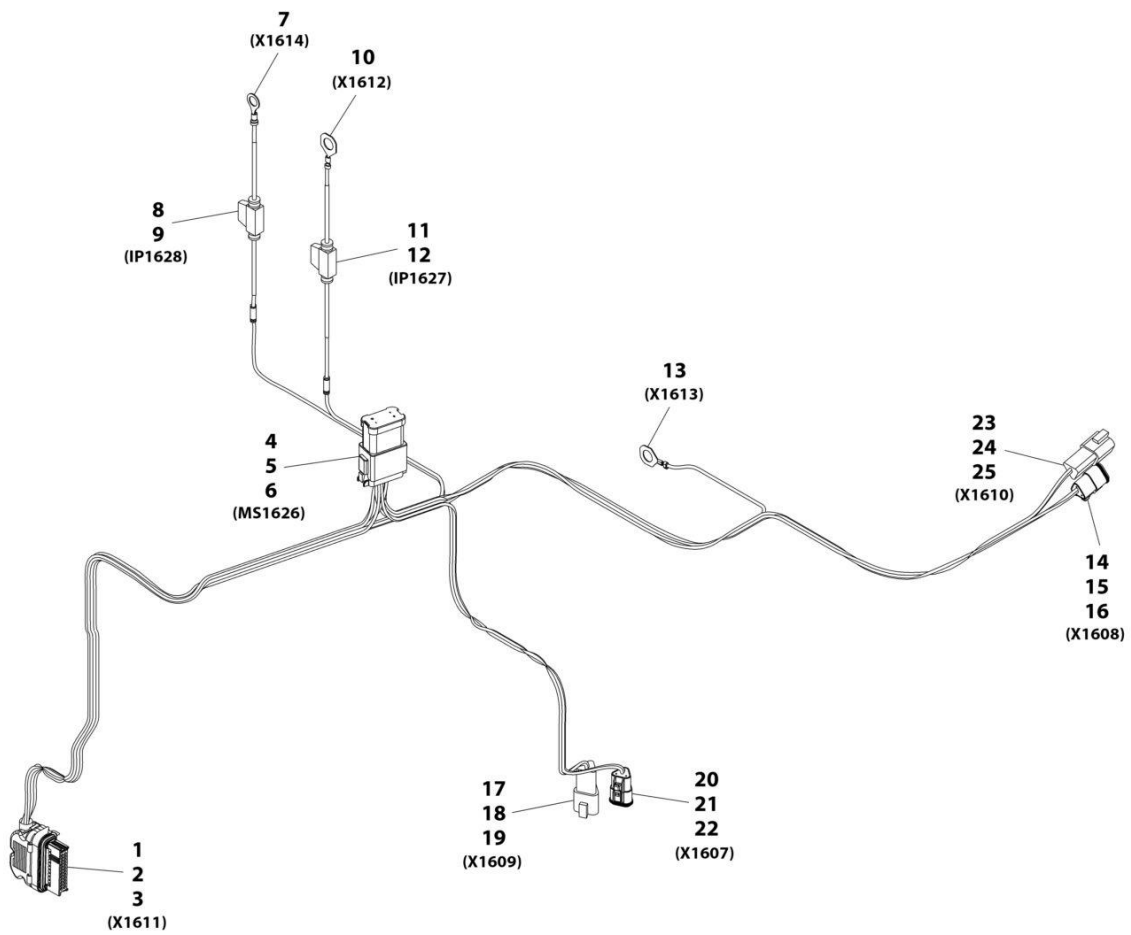
## SECTION 10 - ELECTRICAL

**FIGURE 10-41. CLEARSKY/TELEMATICS INSTALLATION - CANBUS (CE)**

ITEM	PART NUMBER	QTY	DESCRIPTION	REV
	1001239249	Ref	Telematics Canbus Installation (Clearsky 2) (CE)	B
1	1062255	AR	Tie, Strap	
2	4240032	AR	Tie, Strap	
3	4460234	AR	Tie, Strap	
4	1001226799	1	Antenna	
5	1001227297	1	Harness, 4ward Telematics (Clearsky 2) (See Separate Breakdown in this section)	
6	1001239194	1	Module	
7	1001254185	1	Harness, Adapter (See Separate Breakdown in this section)	

# SECTION 10 - ELECTRICAL

## FIGURE 10-42. CLEARSKY/TELEMATICS CANBUS HARNESS



ART\_1001227297



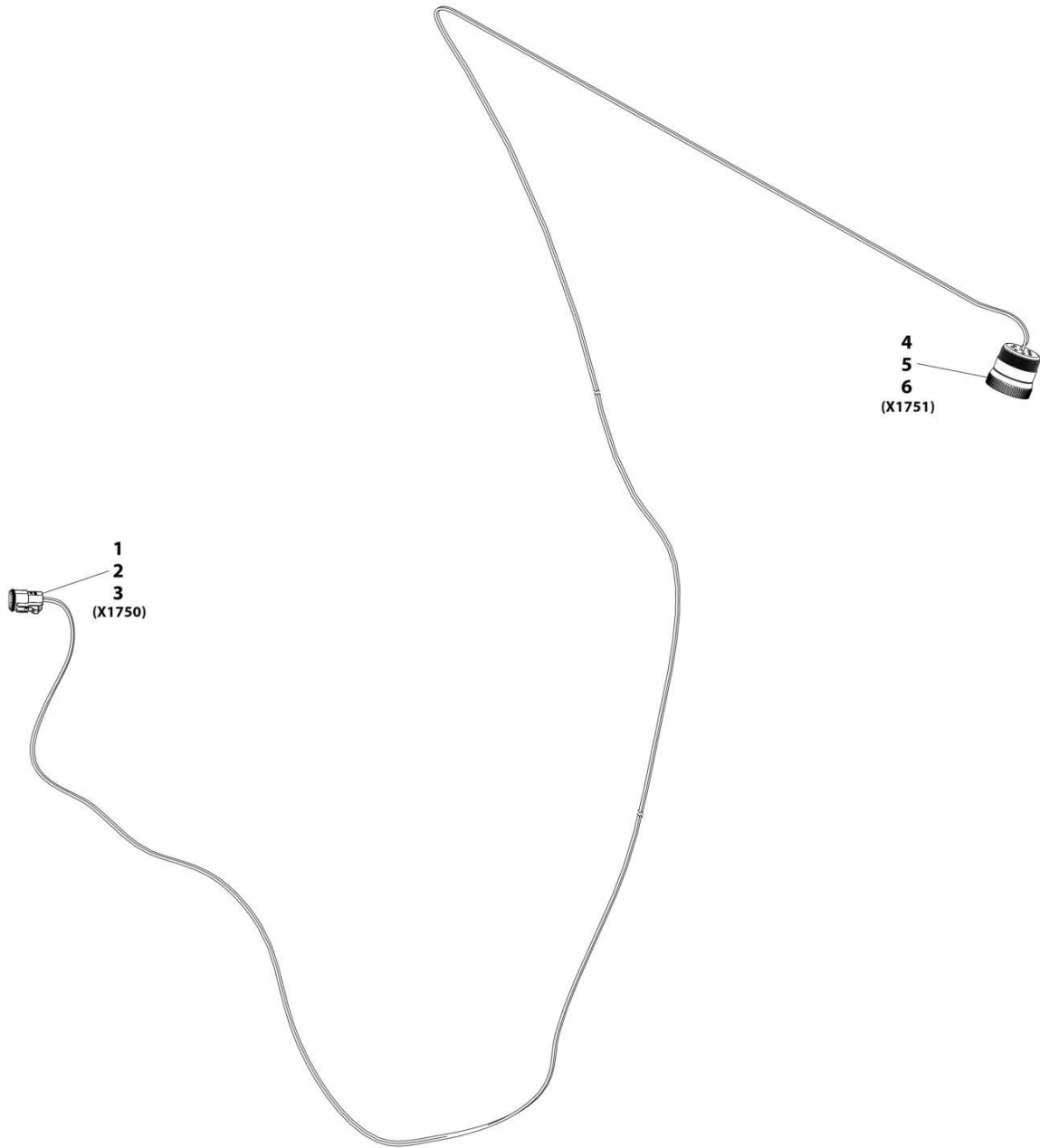
## SECTION 10 - ELECTRICAL

**FIGURE 10-42. CLEARSKY/TELEMATICS CANBUS HARNESS**

ITEM	PART NUMBER	QTY	DESCRIPTION	REV
	1001227297	Ref	TELEMATIC 4WARD HARNESS (CLEARSKY 2)	C
1	1001226636	1	Connector	
2	1001226637	7	Terminal	
3	1001116731	17	Plug	
4	4460933	1	Connector	
5	4460465	12	Terminal	
6	1001200206	1	Connector, DT 12 Pin 4X3 Buss	
7	4460670	1	Connector	
8	2400060	1	Connector	
9	8229242	1	Fuse, 5amp	
10	1001187078	1	Connector	
11	2400060	1	Connector	
12	8229242	1	Fuse, 5amp	
13	1001187077	1	Connector	
14	1001116812	1	Connector	
15	4460465	2	Terminal	
16	4460466	1	Plug	
17	1001144147	1	Connector	
18	4460464	2	Terminal	
19	4460466	1	Plug	
20	1001116812	1	Connector	
21	4460465	2	Terminal	
22	4460466	1	Plug	
23	1001144147	1	Connector	
24	4460464	2	Terminal	
25	4460466	1	Plug	

# SECTION 10 - ELECTRICAL

## FIGURE 10-43. CLEARSKY/TELEMATICS CANBUS ADAPTER HARNESS



ART\_1001254185-A

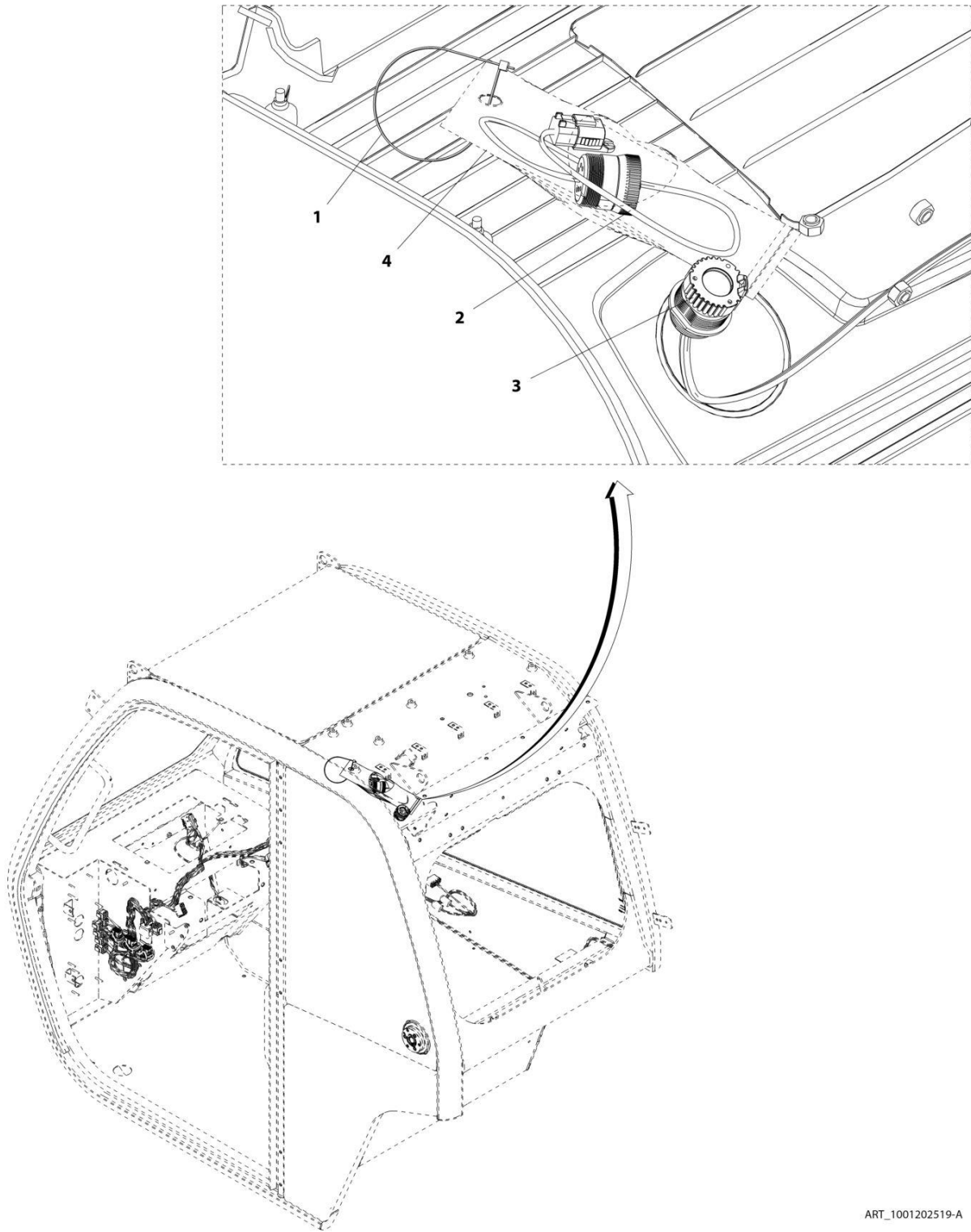
## SECTION 10 - ELECTRICAL

**FIGURE 10-43. CLEARSKY/TELEMATICS CANBUS ADAPTER HARNESS**

ITEM	PART NUMBER	QTY	DESCRIPTION	REV
	1001254185	Ref	TELEMATICS ADAPTER HARNESS	A
1	1001116812	1	Connector	
2	4460465	2	Terminal	
3	4460466	1	Plug	
4	1001112796	1	Connector	
5	4460944	2	Terminal	
6	4460466	7	Plug	

# SECTION 10 - ELECTRICAL

FIGURE 10-44. CLEARSKY/TELEMATICS READY INSTALLATION



ART\_1001202519-A

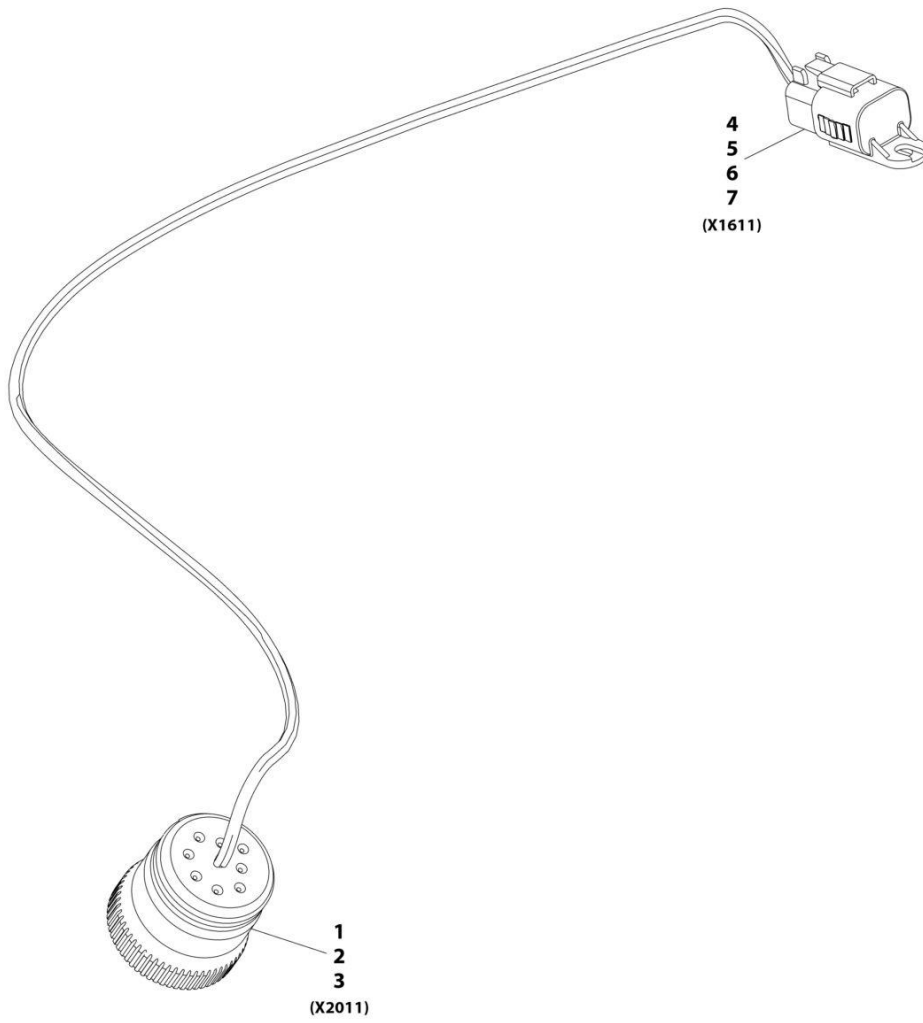
## SECTION 10 - ELECTRICAL

**FIGURE 10-44. CLEARSKY/TELEMATICS READY INSTALLATION**

ITEM	PART NUMBER	QTY	DESCRIPTION	REV
	1001202519	Ref	Telematics Ready Installation	A
1	8584003	1	Strap, Tie	
2	1001196289	1	Harness, Telematics Ready (See Separate Breakdown in ELECTRICAL Section)	
3	1001201162	1	Cap	
4	1001202617	1	Bag	

# SECTION 10 - ELECTRICAL

## FIGURE 10-45. CLEARSKY/TELEMATICS READY HARNESS



ART\_1001196289-A

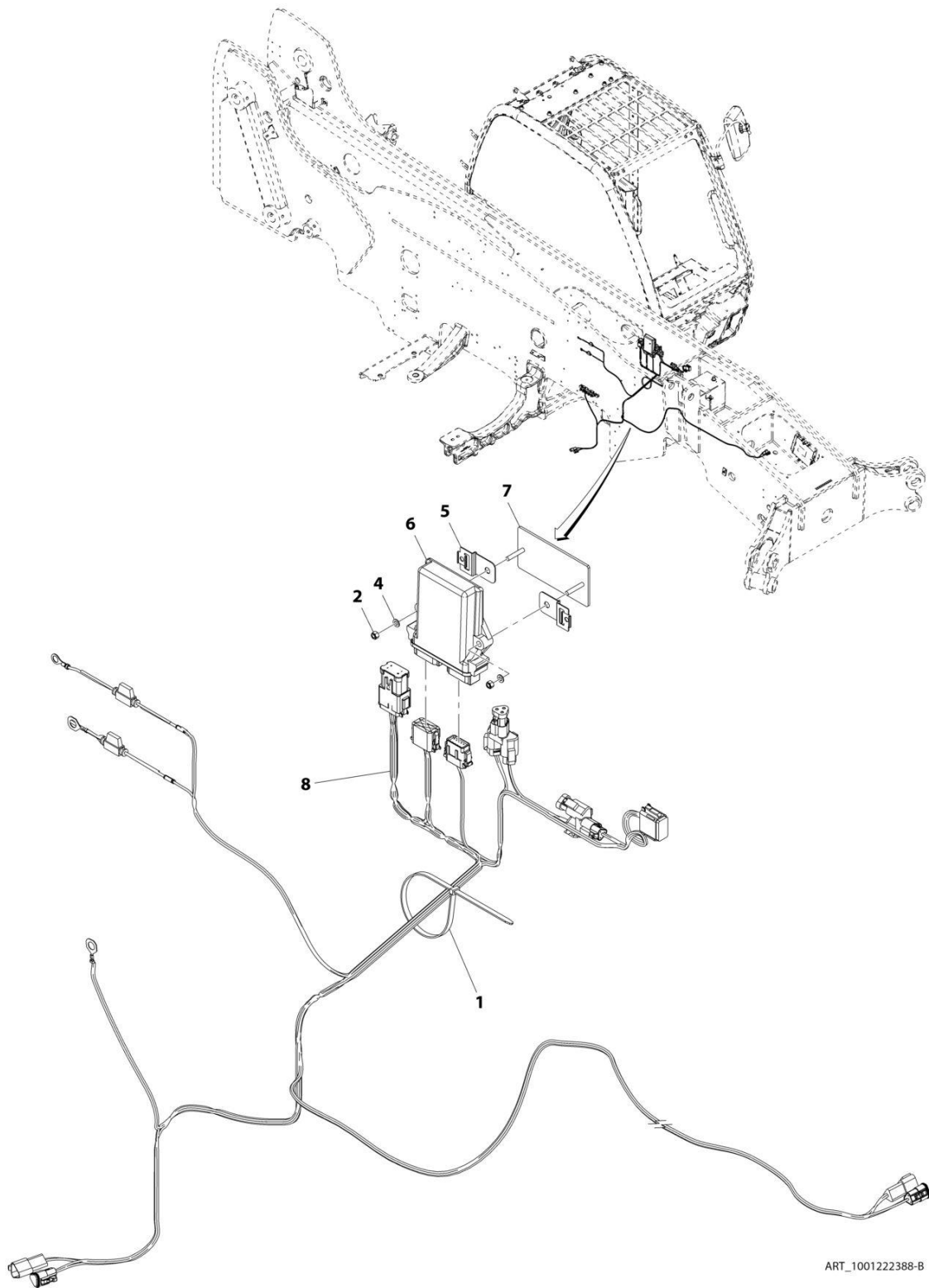
## SECTION 10 - ELECTRICAL

### FIGURE 10-45. CLEARSKY/TELEMATICS READY HARNESS

ITEM	PART NUMBER	QTY	DESCRIPTION	REV
	1001196289	Ref	Telematics Ready Harness	A
1	1001112796	1	Connector	
2	4460465	3	Terminal	
3	4460466	6	Plug	
4	4460884	1	Connector	
5	80604021	1	Lock, Connector	
6	4460465	3	Terminal	
7	4460466	1	Terminal	

# SECTION 10 - ELECTRICAL

## FIGURE 10-46. CLEARSKY/TELEMATICS INSTALLATION (CUSTOMER SUPPLIED)



ART\_1001222388-B



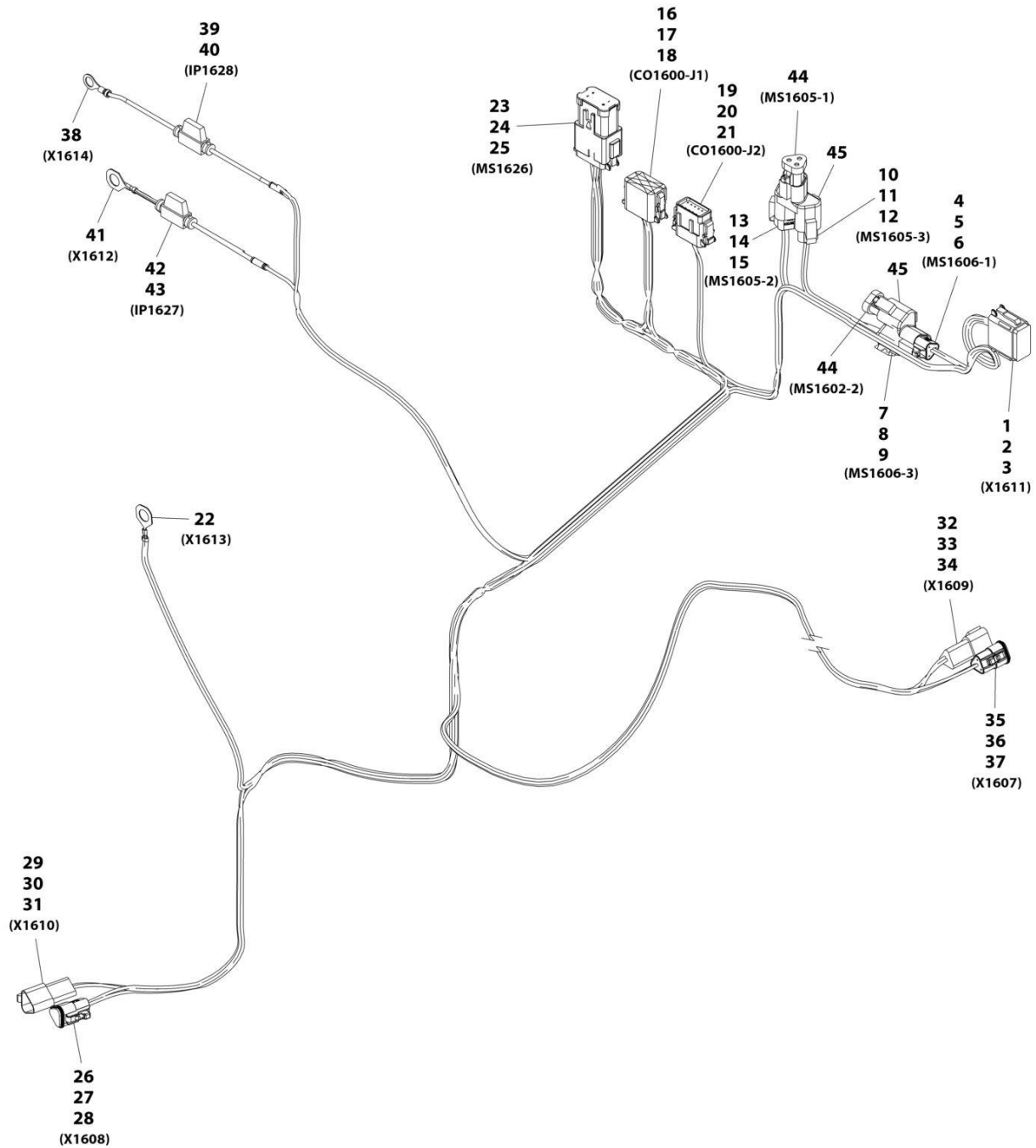
**SECTION 10 - ELECTRICAL**

**FIGURE 10-46. CLEARSKY/TELEMATICS INSTALLATION (CUSTOMER SUPPLIED)**

ITEM	PART NUMBER	QTY	DESCRIPTION	REV
	1001222388	Ref	Customer Supplied Telematics Canbus	B
1	1062255	AR	Tie, Strap	
2	3290505	2	Nut, Lock M5X0.8	
4	4811600	2	Washer, M5	
5	1001153749	2	Clip	
6	1001229458	1	Controller, Gateway	
7	1001219082	1	Bracket	
8	1001225259	1	Harness, 4ward Telematics (See Separate Breakdown in this section)	

# SECTION 10 - ELECTRICAL

## FIGURE 10-47. CLEARSKY/TELEMATICS HARNESS - CUSTOMER SUPPLIED VERSION



ART\_1001225259-B

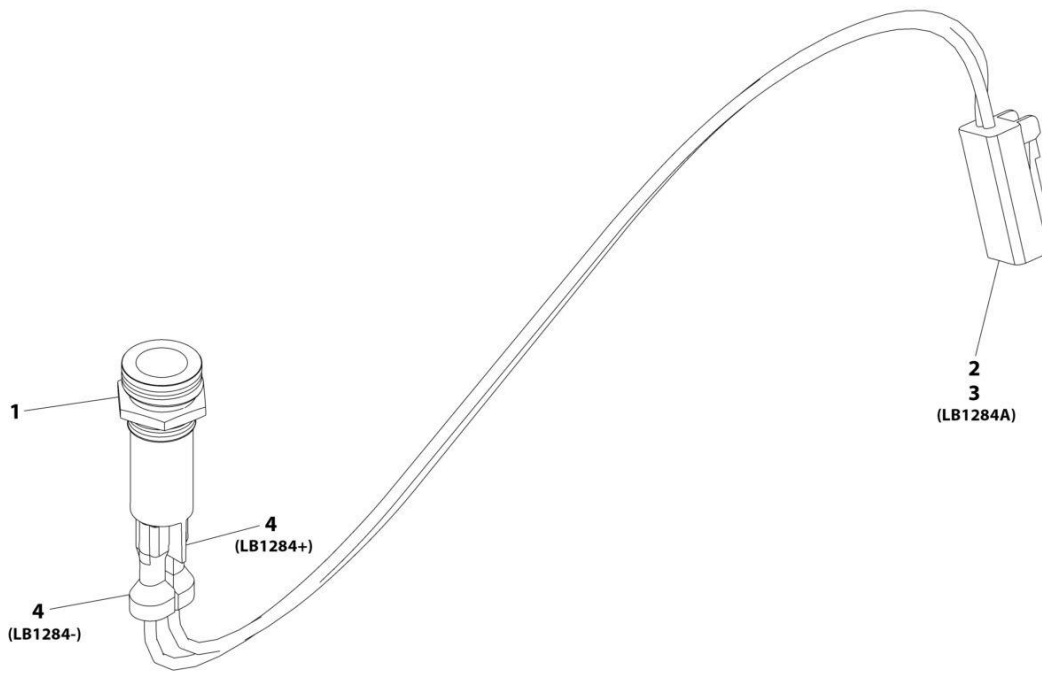
## SECTION 10 - ELECTRICAL

**FIGURE 10-47. CLEARSKY/TELEMATICS HARNESS - CUSTOMER SUPPLIED VERSION**

ITEM	PART NUMBER	QTY	DESCRIPTION	REV
	1001225259	Ref	Telematic Harness	B
1	4460933	1	Connector	
2	4460465	5	Terminal	
3	4460466	7	Plug	
4	1001116812	1	Connector	
5	4460465	2	Terminal	
6	4460466	1	Plug	
7	4460539	1	Connector	
8	4460465	2	Terminal	
9	4460466	1	Plug	
10	4460539	1	Connector	
11	4460465	2	Terminal	
12	4460466	1	Plug	
13	1001116812	1	Connector	
14	4460465	2	Terminal	
15	4460466	1	Plug	
16	1001116774	1	Connector	
17	4460518	6	Plug	
18	1001126008	6	Terminal	
19	1001116808	1	Connector	
20	4460518	10	Plug	
21	1001126008	2	Terminal	
22	1001187081	1	Connector	
23	4460933	1	Connector	
24	1001200206	1	Connector, DT 12 Pin 4X3 Buss	
25	4460465	13	Terminal	
26	1001116812	1	Connector	
27	4460465	2	Terminal	
28	4460466	1	Plug	
29	1001144147	1	Connector	
30	4460464	2	Terminal	
31	4460466	1	Plug	
32	1001144147	1	Connector	
33	4460464	2	Terminal	
34	4460466	1	Plug	
35	1001116812	1	Connector	
36	4460465	2	Terminal	
37	4460466	1	Plug	
38	4460670	1	Connector	
39	2400060	1	Connector	
40	8229242	1	Terminal	
41	1001187078	1	Connector	
42	2400060	1	Connector	
43	8229242	1	Terminal	
44	1001116815	2	Connector, 3 Pin	
45	4460945	2	Terminal, 3 Way "T" Receptacle	

# SECTION 10 - ELECTRICAL

## FIGURE 10-48. DEF PURGE LIGHT HARNESS



ART\_1001232288-A

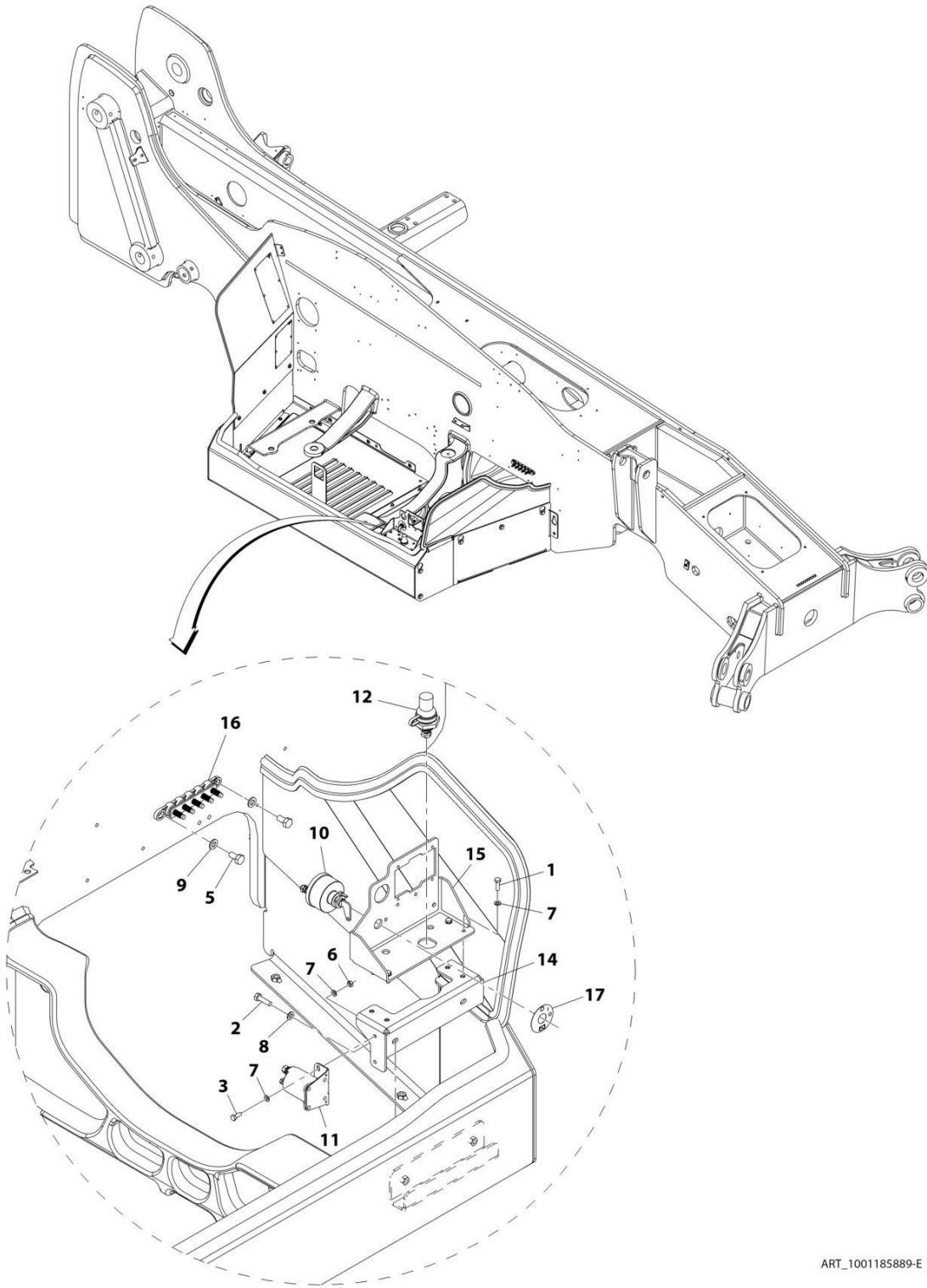
## SECTION 10 - ELECTRICAL

### FIGURE 10-48. DEF PURGE LIGHT HARNESS

ITEM	PART NUMBER	QTY	DESCRIPTION	REV
	1001232288	Ref	DEF Purge Light Harness	A
1	1001169825	1	LED Lamp 12V	
2	4461290	1	Connector	
3	1001126008	2	Terminal	
4	8220108	2	Connector	

# SECTION 10 - ELECTRICAL

## FIGURE 10-49. ENGINE BAY ELECTRICAL INSTALLATION (LS)



ART\_1001185889-E

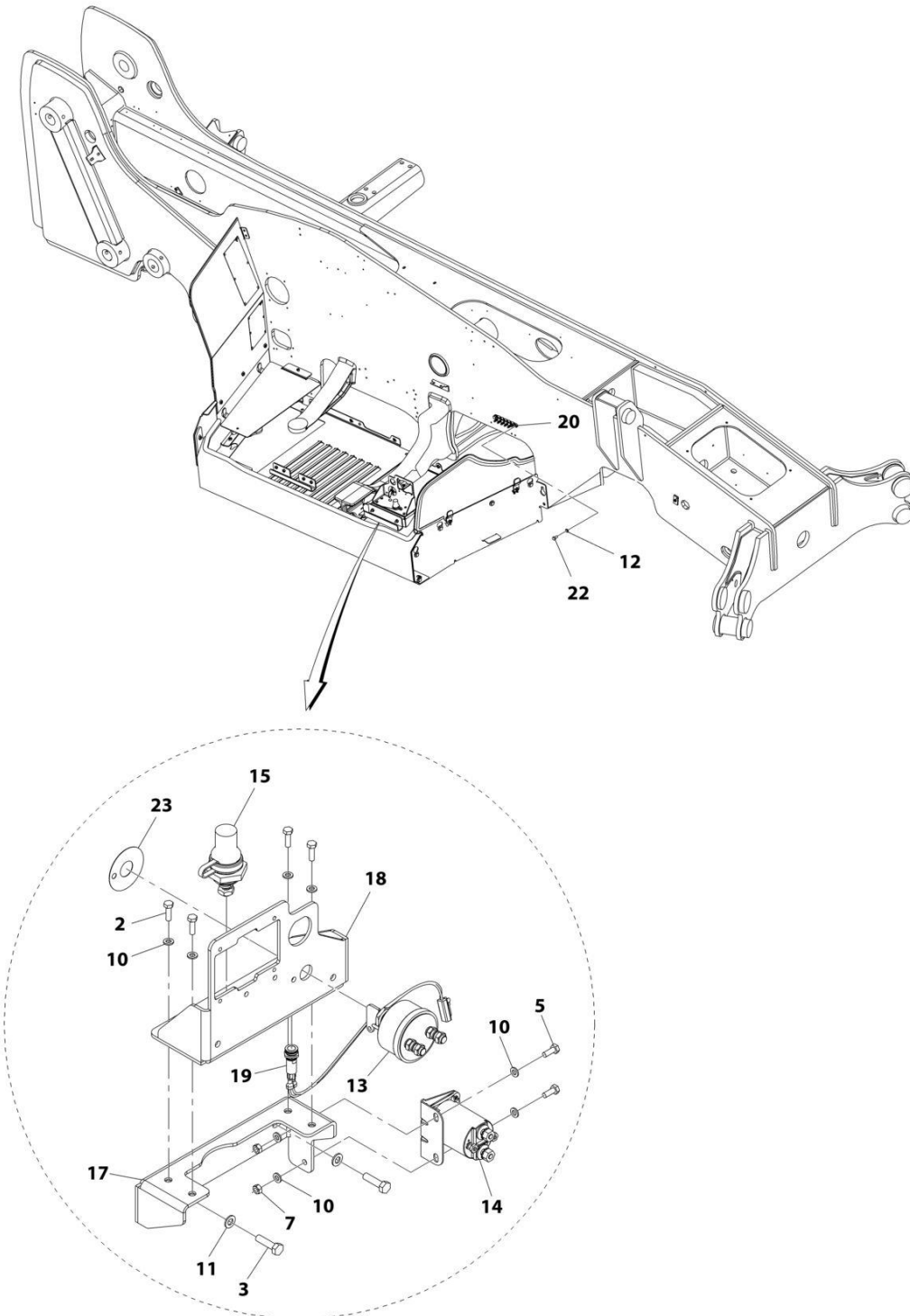
## SECTION 10 - ELECTRICAL

**FIGURE 10-49. ENGINE BAY ELECTRICAL INSTALLATION (LS)**

ITEM	PART NUMBER	QTY	DESCRIPTION	REV
	1001185889	Ref	Engine Bay Electrical Installation (if equipped for LS)	E
1	0700610	4	Bolt, M6X20	
2	0700814	2	Bolt, M8X30	
3	0760608	2	Bolt, M6X16	
5	0761010	2	Bolt, M10X20	
6	3290601	2	Nut, M6X1 Grade 8	
7	4811700	8	Washer, M6	
8	4811900	2	Washer, M8	
9	4812000	2	Washer, M10	
10	1001192142	1	Switch	
11	1001117308	1	Relay, 200 Amp	
12	1001193993	1	Terminal	
14	1001199099	1	Bracket	
15	1001198321	1	Bracket	
16	1001181128	1	Busbar	
17	1001008540	1	Plate	

# SECTION 10 - ELECTRICAL

## FIGURE 10-50. ENGINE BAY ELECTRICAL INSTALLATION (ULS)



ART\_1001163127-J



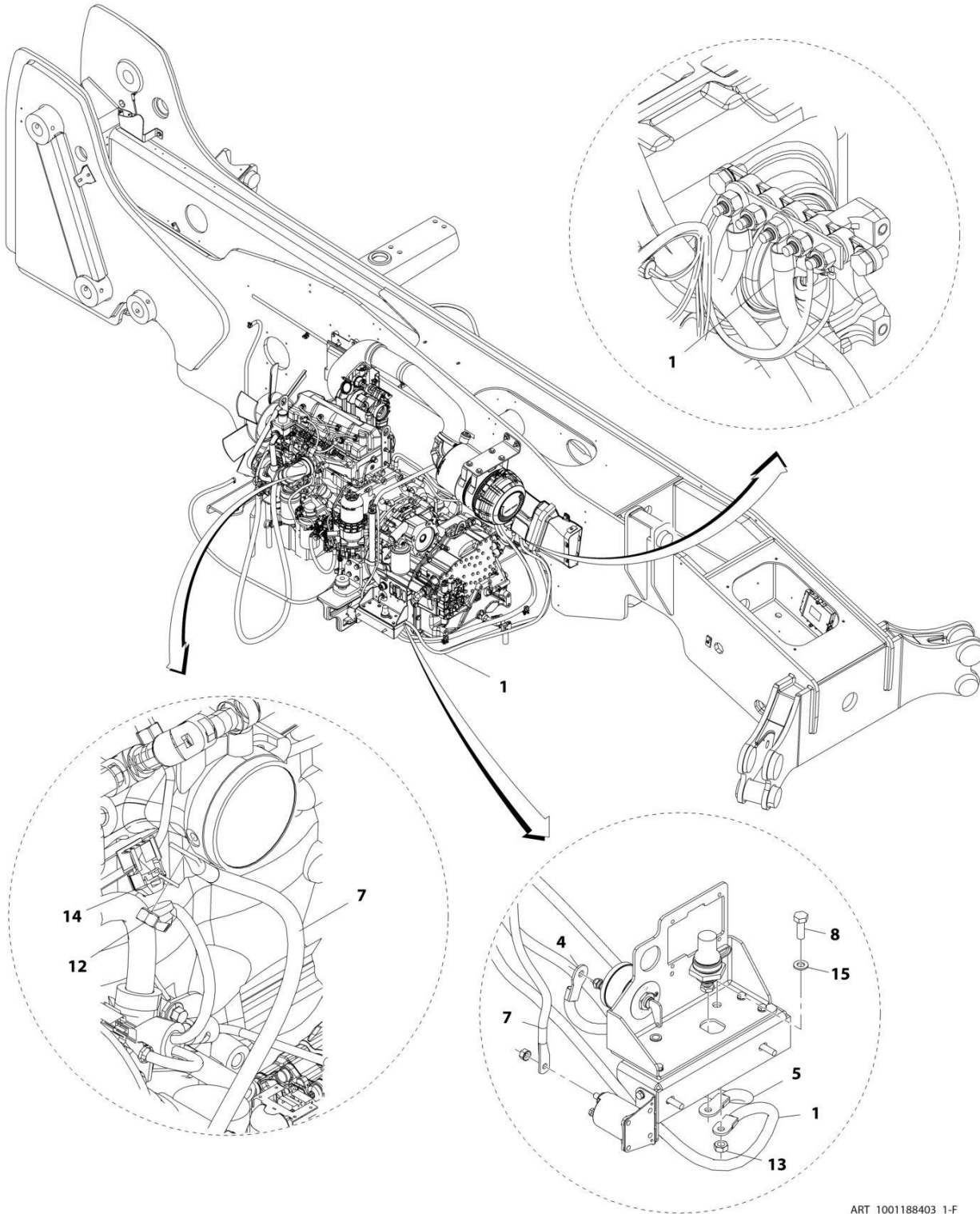
## SECTION 10 - ELECTRICAL

**FIGURE 10-50. ENGINE BAY ELECTRICAL INSTALLATION (ULS)**

ITEM	PART NUMBER	QTY	DESCRIPTION	REV
	1001163127	Ref	Engine Bay Electrical Installation (if equipped for ULS)	J
2	0700610	4	Bolt, M6X20	
3	0700814	2	Bolt, M8X30	
5	0760608	2	Bolt, M6X16	
7	3290601	2	Nut, M6X1 Grade 8	
10	4811700	8	Washer, M6	
11	4811900	2	Washer, M8	
12	4812000	2	Washer, M10	
13	1001192142	1	Switch, Disconnect	
14	1001117308	1	Relay	
15	1001193993	1	Terminal	
17	1001199099	1	Bracket	
18	1001198321	1	Bracket	
19	1001232288	Ref	Harness, DEF Purge Light, (See Separate Breakdown in this Section)	
20	1001181128	1	Bussbar	
22	0761010	2	Bolt, M10X20	
23	1001008540	1	Plate	

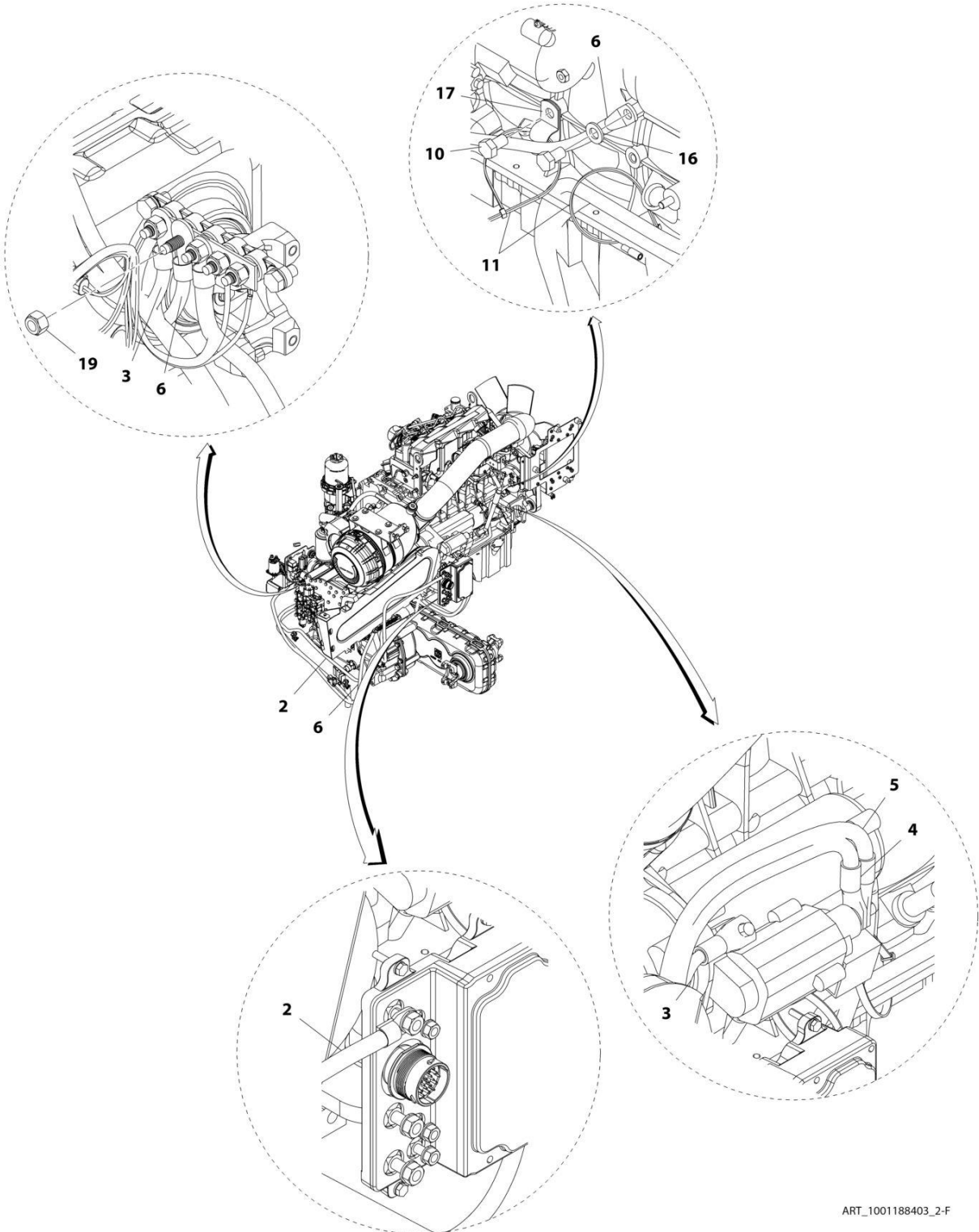
# SECTION 10 - ELECTRICAL

## FIGURE 10-51. ENGINE BAY WIRING INSTALLATION (LS)



ART\_1001188403\_1-F

SECTION 10 - ELECTRICAL



ART\_1001188403\_2-F

## SECTION 10 - ELECTRICAL

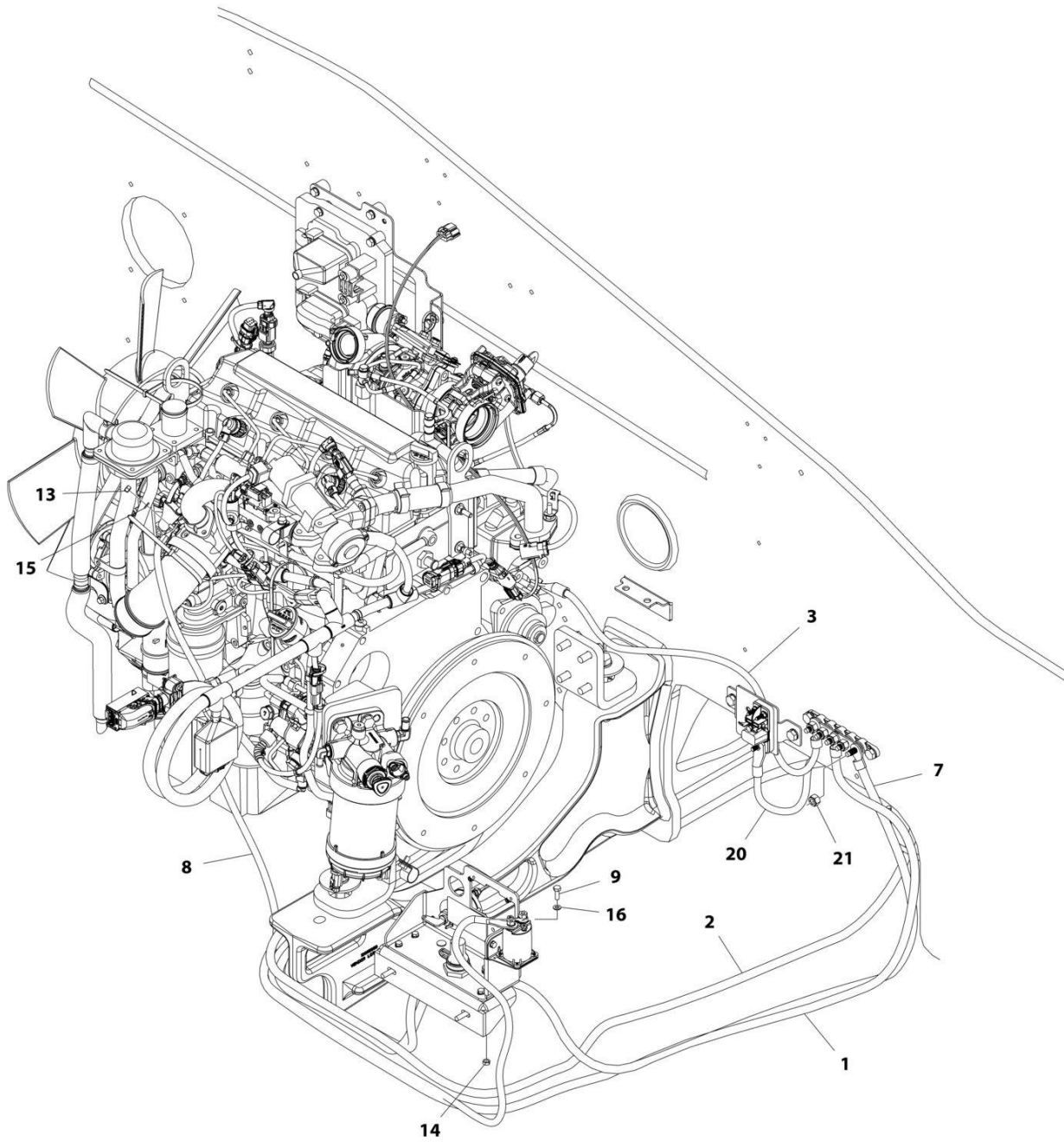
**FIGURE 10-51. ENGINE BAY WIRING INSTALLATION (LS)**

ITEM	PART NUMBER	QTY	DESCRIPTION	REV
	1001188403	Ref	Engine Bay Wiring Installation (if equipped for LS)	F
1	1001200102	1	Cable, Ground Bus to Remote Ground	
2	1001205254	1	Cable, PDM to Alternator	
3	1001170320	1	Cable, Starter Ground	
4	1001187623	1	Cable, Starter to Battery	
5	1001187624	1	Cable, Starter to Remote B+	
6	1001205255	1	Cable, Engine Ground	
7	1001170816	1	Cable, Grid Heater	
8	0701014	1	Bolt, M10X30	
10	0761210	2	Bolt, M12X20	
11	1062255	4	Tie Strap	
12	3290605	1	Nut, Lock M6X1 Grade 8	
13	3291001	1	Nut, M10X1.5 Grade 8	
14	4811700	1	Washer, M6	
15	4812000	1	Washer, M10	
16	4812100	1	Washer, M12	
17	8406105	1	Clip	
19	3291005	5	Nut, Lock M0X1.5 Grade 8	



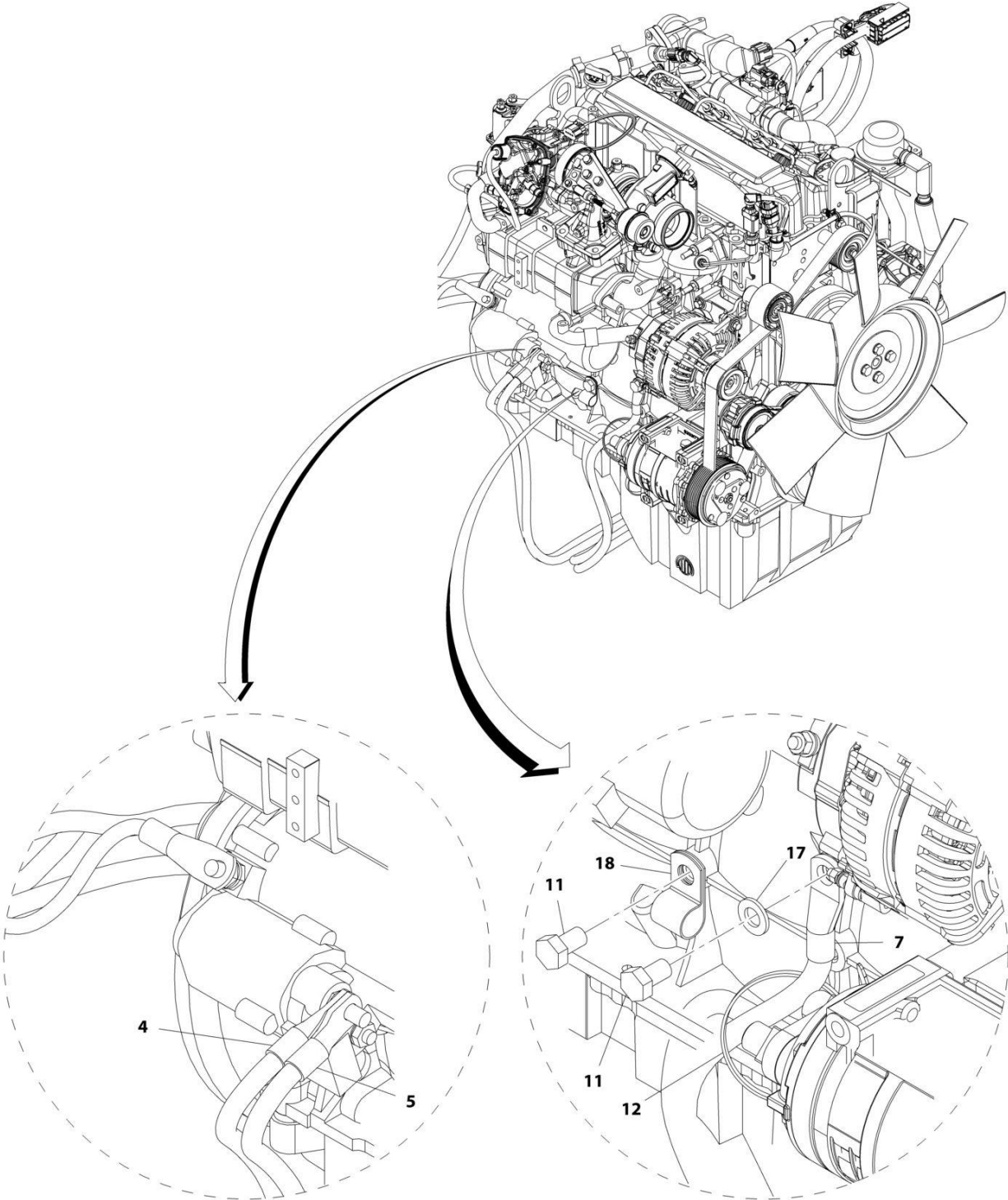
# SECTION 10 - ELECTRICAL

## FIGURE 10-52. ENGINE BAY WIRING INSTALLATION (ULS)



ART\_1001163255\_1-H

**SECTION 10 - ELECTRICAL**



ART\_1001163225\_2-H

## SECTION 10 - ELECTRICAL

**FIGURE 10-52. ENGINE BAY WIRING INSTALLATION (ULS)**

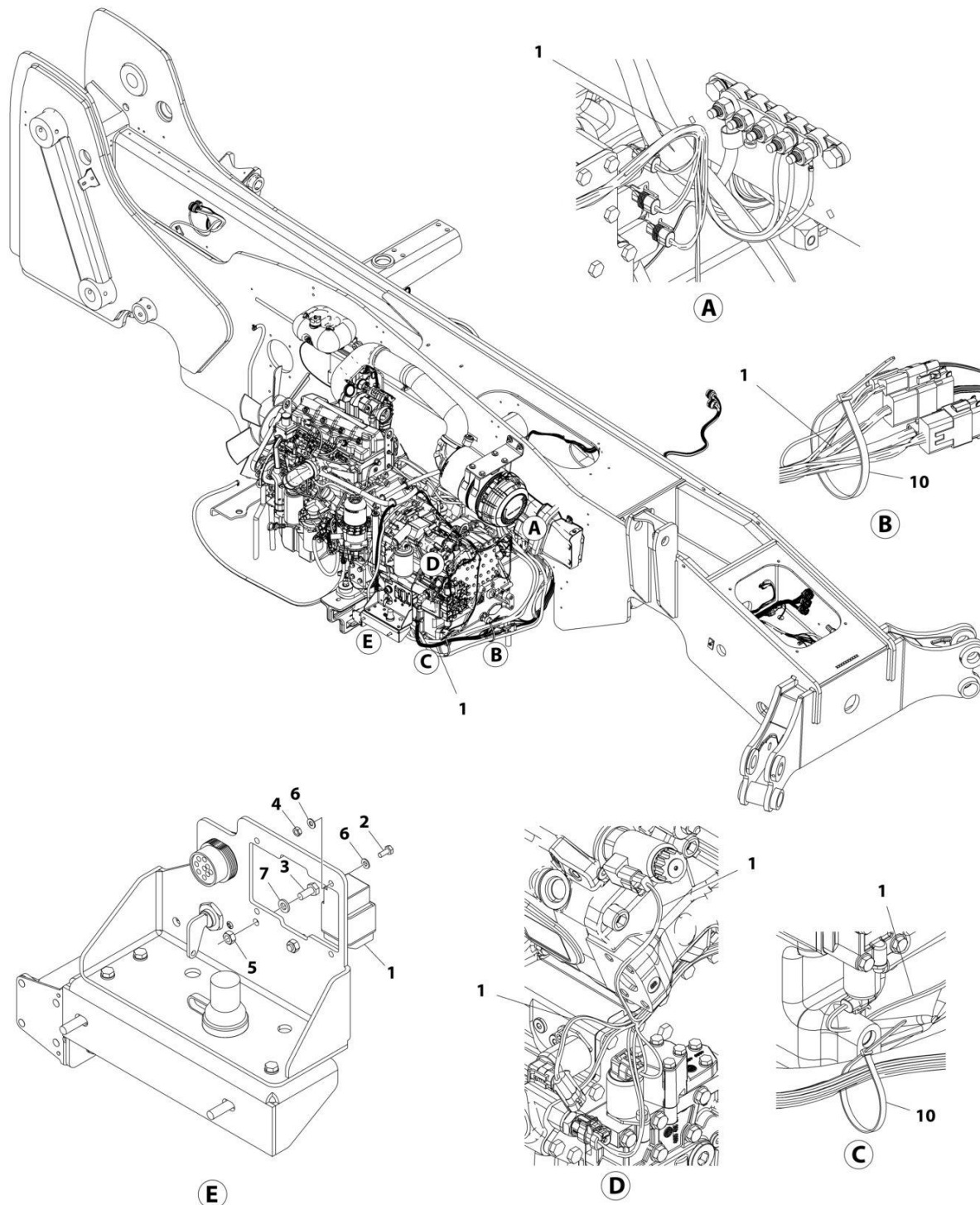
ITEM	PART NUMBER	QTY	DESCRIPTION	REV
	1001163255	Ref	Engine Bay Wiring Installation (if equipped for ULS)	H
1	1001200102	1	Cable, Ground Bus to Remote Ground	
2	1001170215	1	Cable, PDM to Alternator	
3	1001170320	1	Cable, Starter Ground	
4	1001170740	1	Cable, Starter to Battery	
5	1001170741	1	Cable, Starter to Remote B+	
7	1001170749	1	Cable, Engine Ground	
8	1001170816	1	Cable, Grid Heater	
9	0701014	1	Bolt, M10X30	
11	0761210	2	Bolt, M12X20	
12	1062255	1	Tie Strap	
13	3290605	1	Nut, Lock M6X1 Grade 8	
14	3291001	1	Nut, M10X1.5 Grade 8	
15	4811700	1	Washer, M6	
16	4812000	1	Washer, M10	
17	4812100	1	Washer, M12	
18	8406105	1	Clip	
20	1001190585	1	Cable, Glow Plug	
21	3291005	5	Nut, Lock M0X1.5 Grade 8	





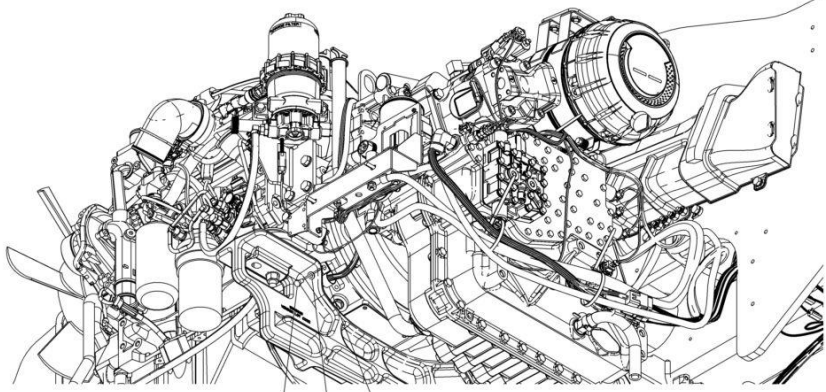
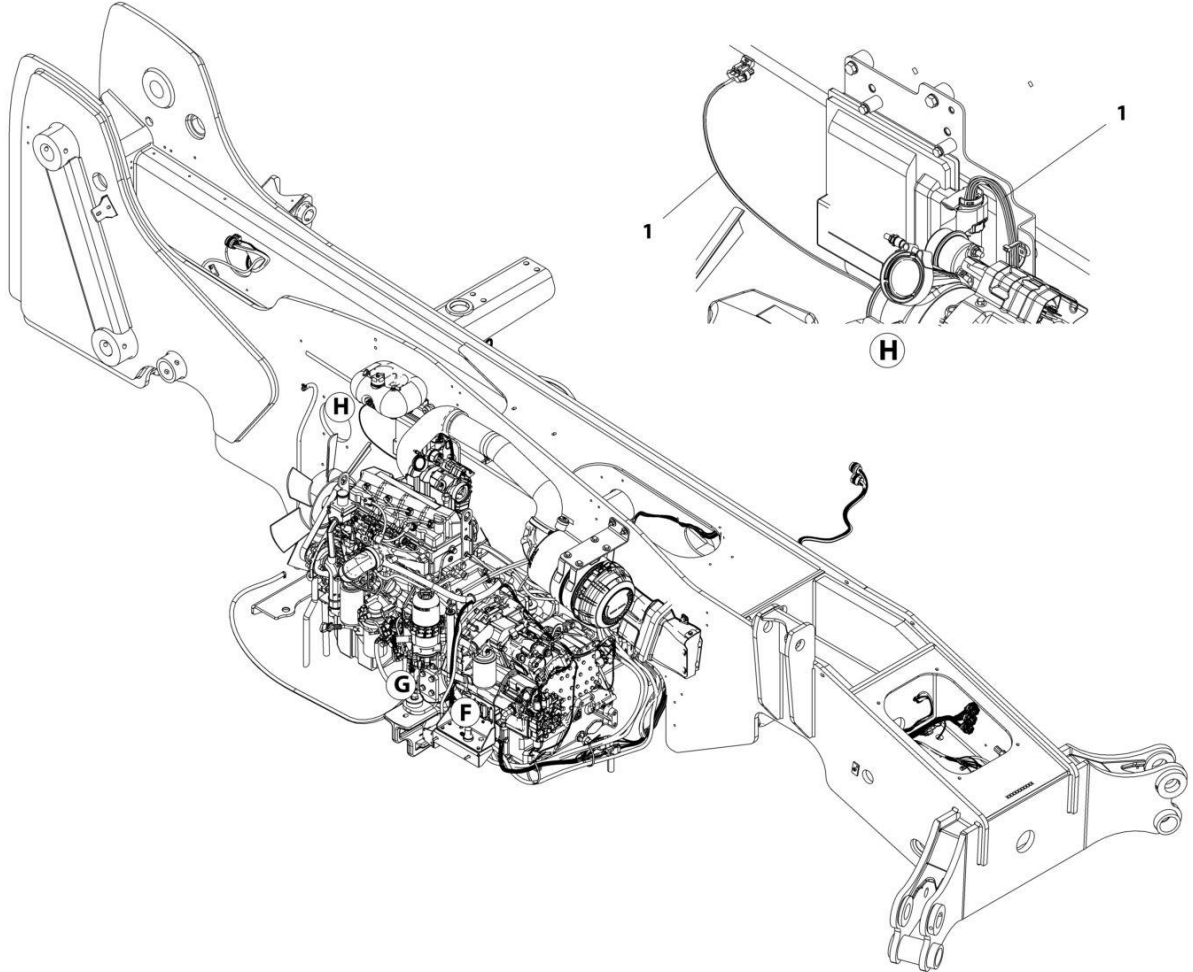
# SECTION 10 - ELECTRICAL

## FIGURE 10-53. ENGINE WIRING INSTALLATION (LS)

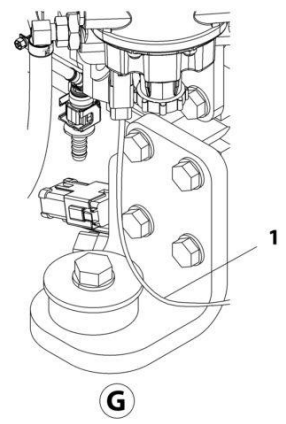


ART\_1001163242\_J\_10F3

SECTION 10 - ELECTRICAL



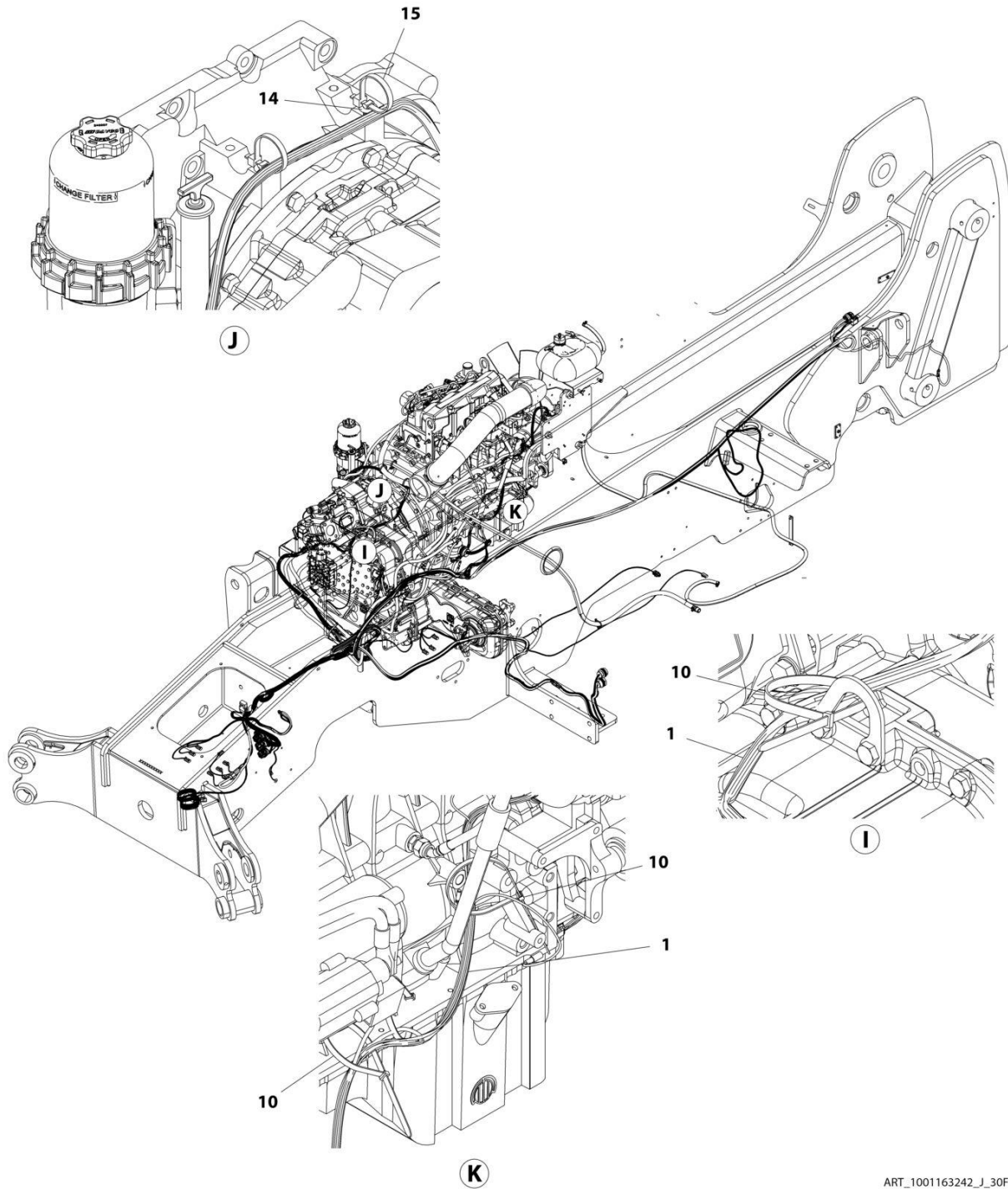
8 11 13 F



G

ART\_1001163242\_J\_20F3

# SECTION 10 - ELECTRICAL



ART\_1001163242\_J\_30F3

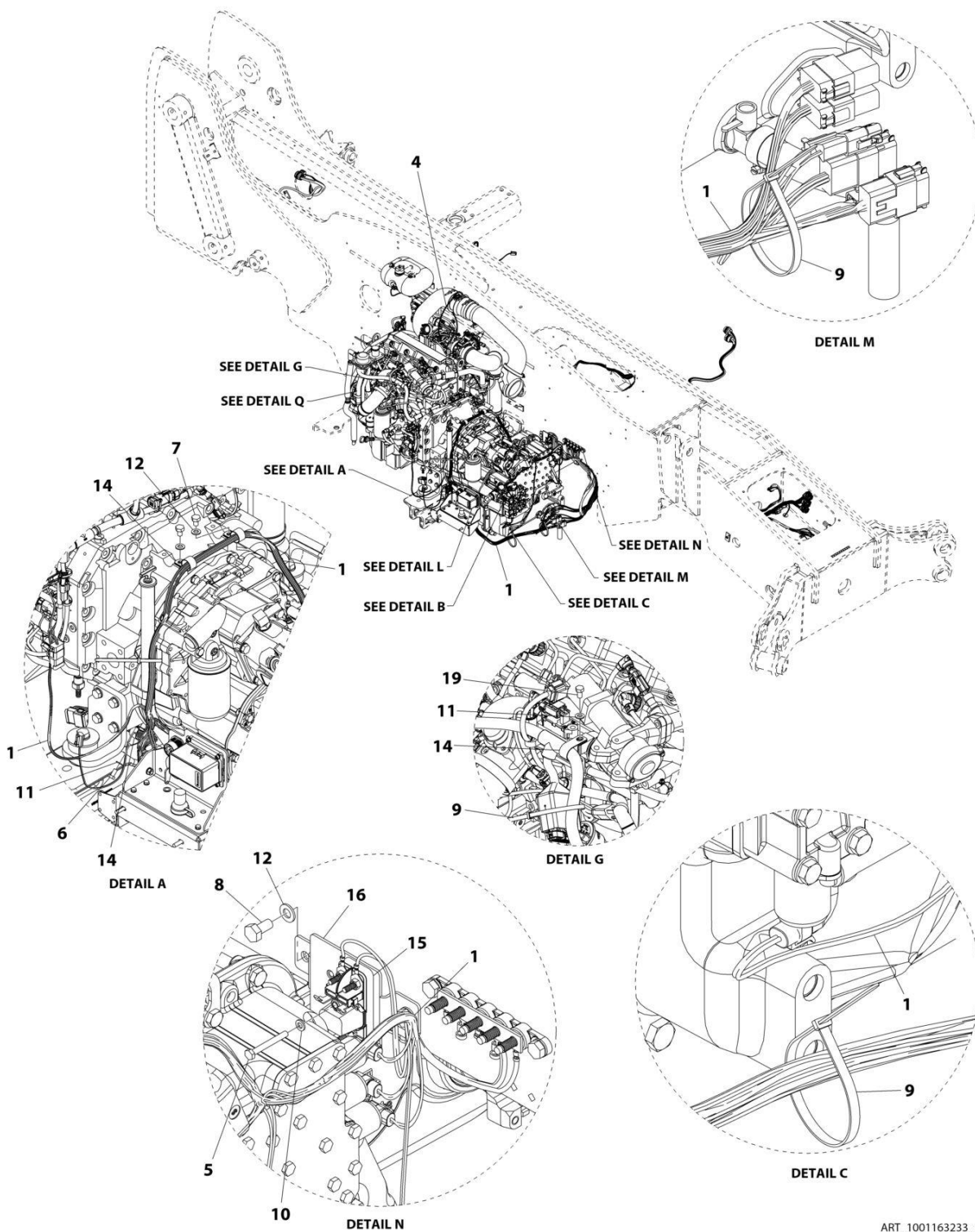
## SECTION 10 - ELECTRICAL

**FIGURE 10-53. ENGINE WIRING INSTALLATION (LS)**

ITEM	PART NUMBER	QTY	DESCRIPTION	REV
	1001163242	Ref	Engine Wiring Installation (LS)	J
1	1001222715	1	Harness, Engine (LS) (See Separate Breakdown in this Section)	
2	0760405	1	Bolt, M4X10	
3	0760607	2	Bolt, M6X14	
4	3290401	1	Nut, M4X0.7	
5	3290601	2	Nut, M6X1 Grade 8	
6	4811400	2	Washer, M4	
7	4811700	2	Washer, M6	
8	0760808	1	Bolt, M8X16	
10	1062255	5	Strap, Tie	
11	4811900	1	Washer, M8	
13	8406201	1	Clip	
14	1001202986	2	Strap, Tie	
15	1001008559	2	Strap, Tie	

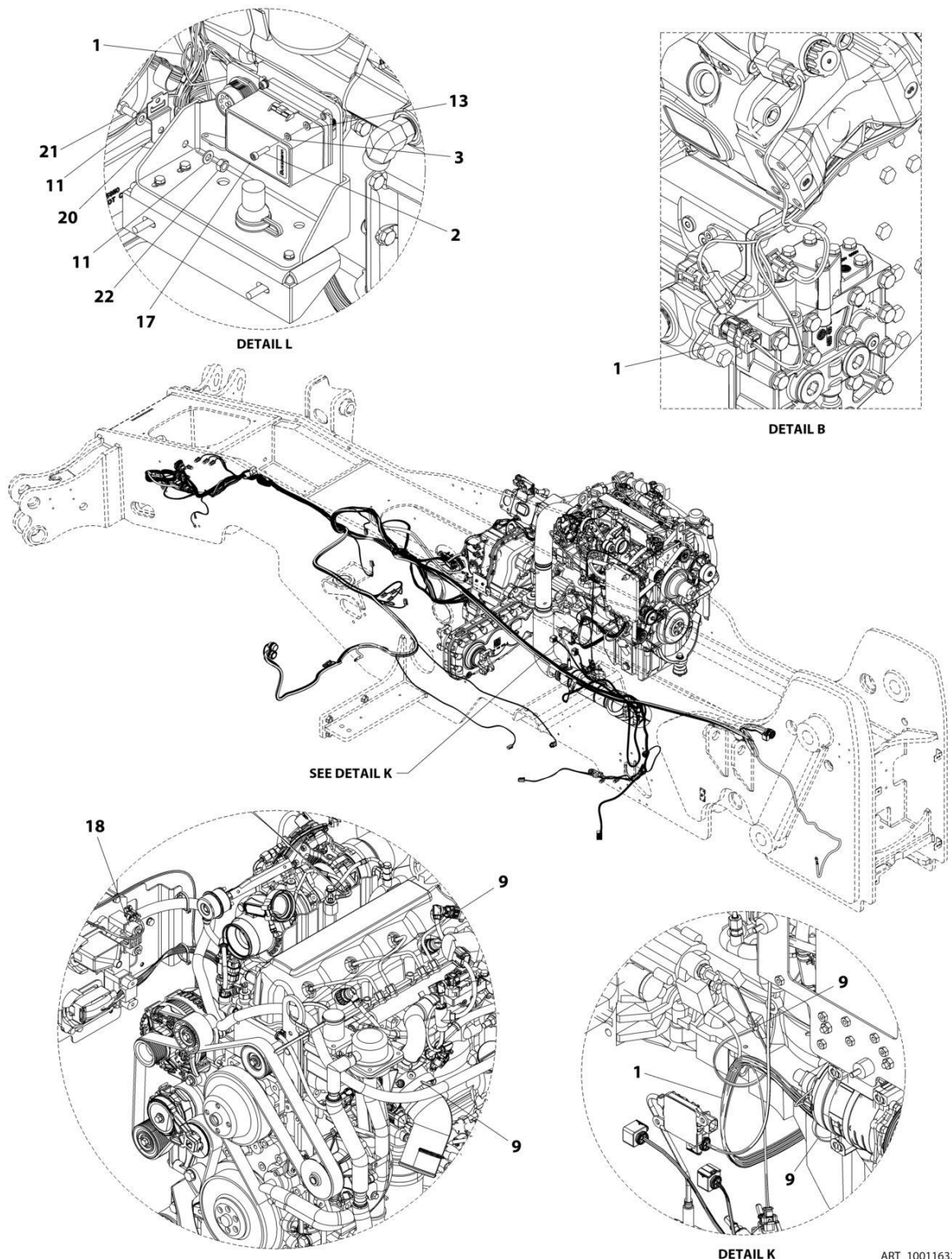
# SECTION 10 - ELECTRICAL

## FIGURE 10-54. ENGINE WIRING INSTALLATION (ULS)



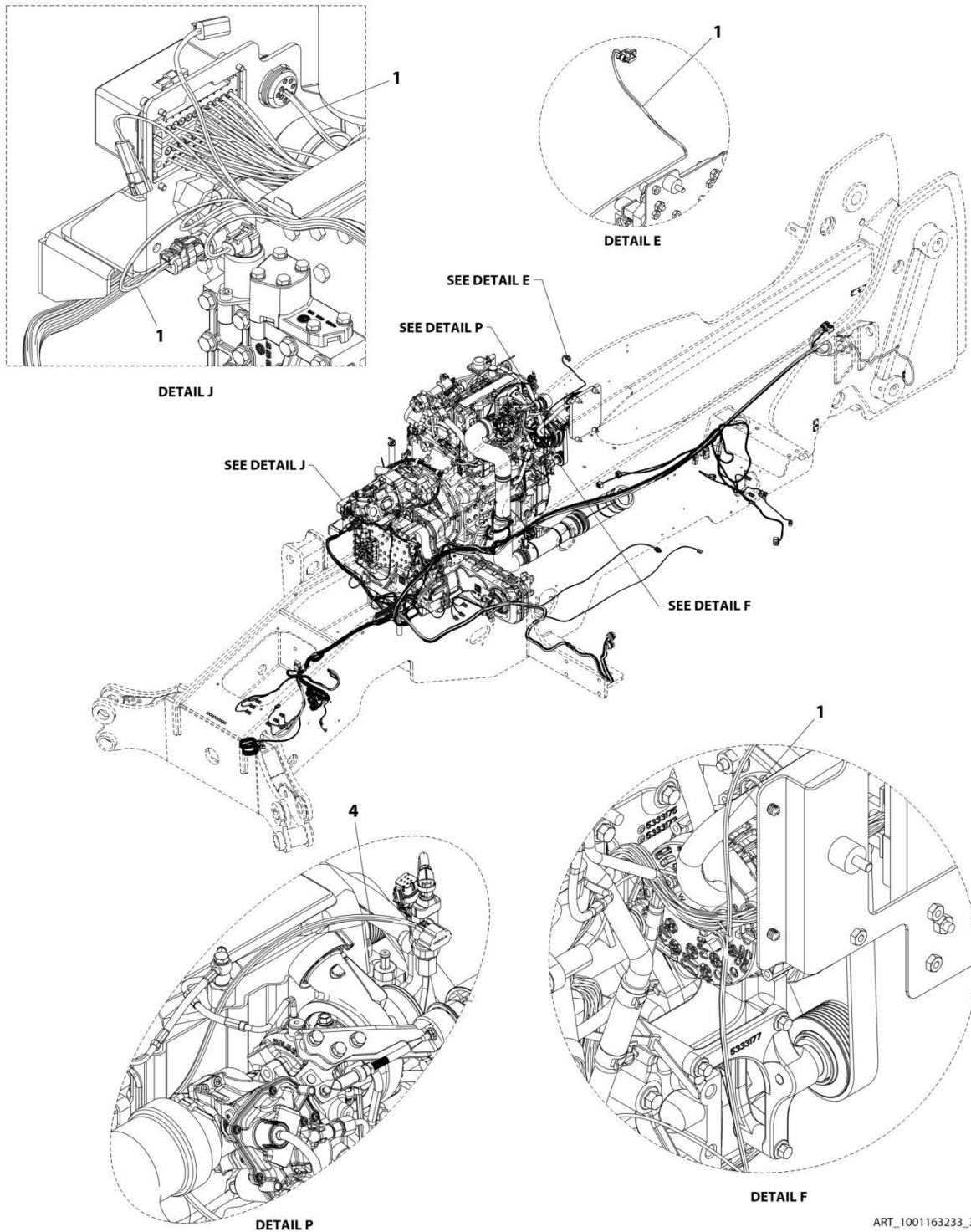
ART\_1001163233\_1-M

**SECTION 10 - ELECTRICAL**



ART\_1001163233\_2-M

# SECTION 10 - ELECTRICAL



ART\_1001163233\_3-M



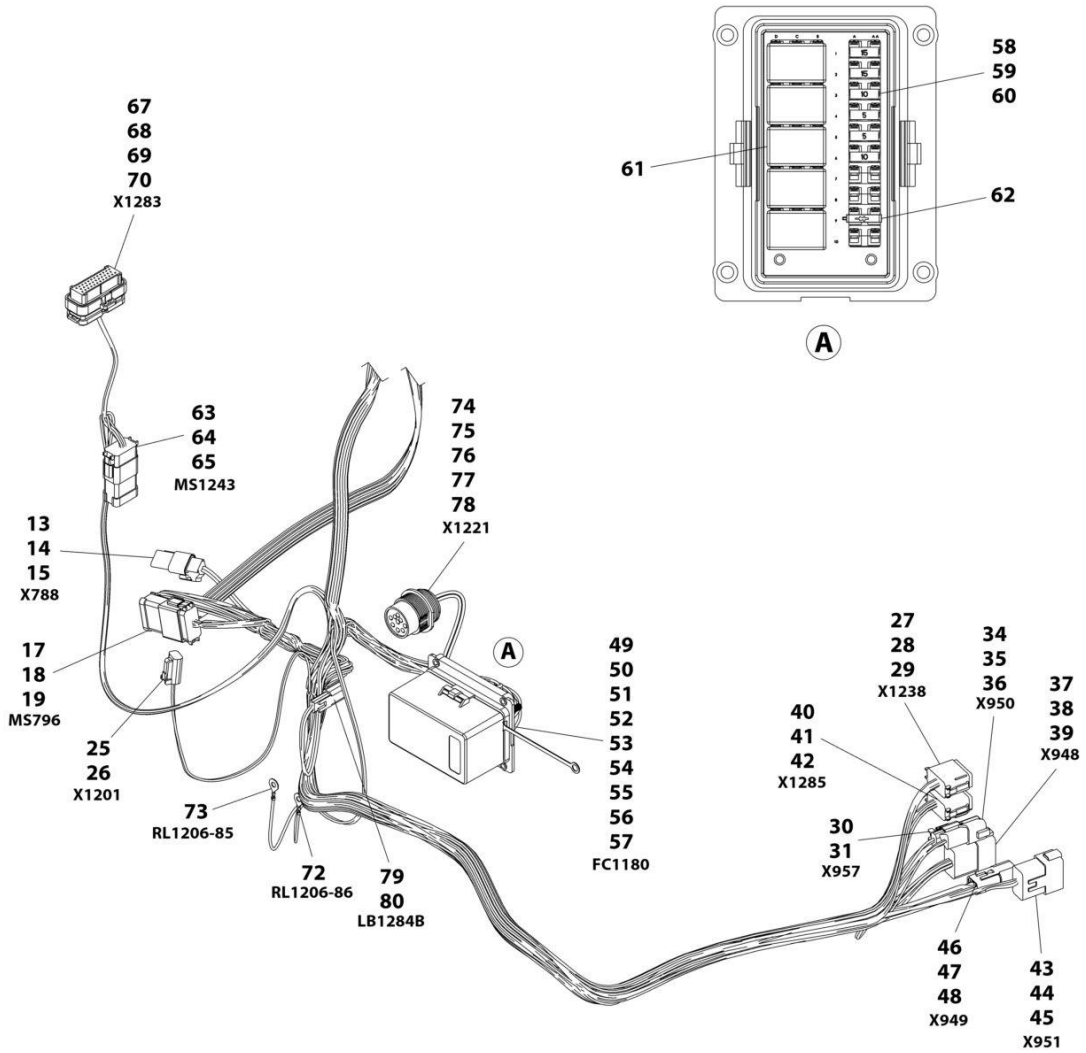
## SECTION 10 - ELECTRICAL

**FIGURE 10-54. ENGINE WIRING INSTALLATION (ULS)**

ITEM	PART NUMBER	QTY	DESCRIPTION	REV
	1001163233	Ref	Engine Wiring Installation (ULS)	M
1	1001235696	1	Harness, Engine (ULS) (See Separate Breakdown in this Section)	
2	4031608	4	Screw, M5X20	
3	4811600	4	Washer, M5	
4	1001184835	1	Harness, TBAP (See Separate Breakdown in this Section)	
5	0700618	1	Bolt, M6X50	
6	0760808	1	Bolt, M8X16	
7	0761007	2	Bolt, M10X14	
8	0761010	2	Bolt, M10X20	
9	1062255	8	Strap, Tie	
10	4811700	1	Washer, M6	
11	4811900	4	Washer, M8	
12	4812000	4	Washer, M10	
13	4831600	4	Washer, Lock M5	
14	8406201	4	Clip, Tube	
15	1001131177	1	Fuse, Power Module	
16	1001189046	1	Bracket	
17	1001191486	1	Decal	
18	1001167646	1	Connector, Strain Relief	
19	0760807	1	Bolt, M8X14	
20	1001153749	1	Clip	
21	0700808	1	Bolt, M8X16	
22	3290801	1	Hex Nut, M8X1.25	

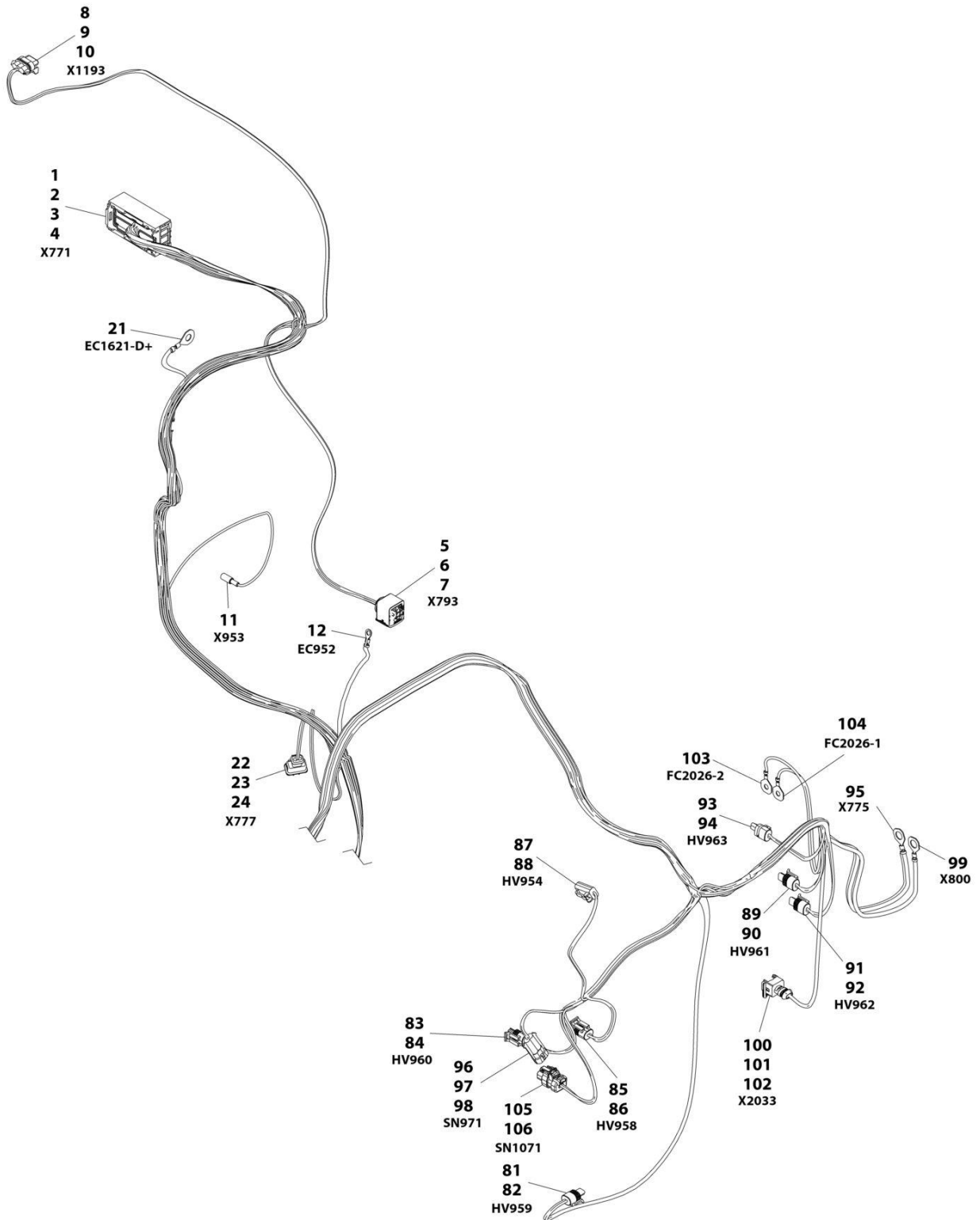
# SECTION 10 - ELECTRICAL

## FIGURE 10-55. ENGINE HARNESS



ART\_1001235696\_C\_10F2

# SECTION 10 - ELECTRICAL



ART\_1001235696\_C\_2OF2

# SECTION 10 - ELECTRICAL

## FIGURE 10-55. ENGINE HARNESS

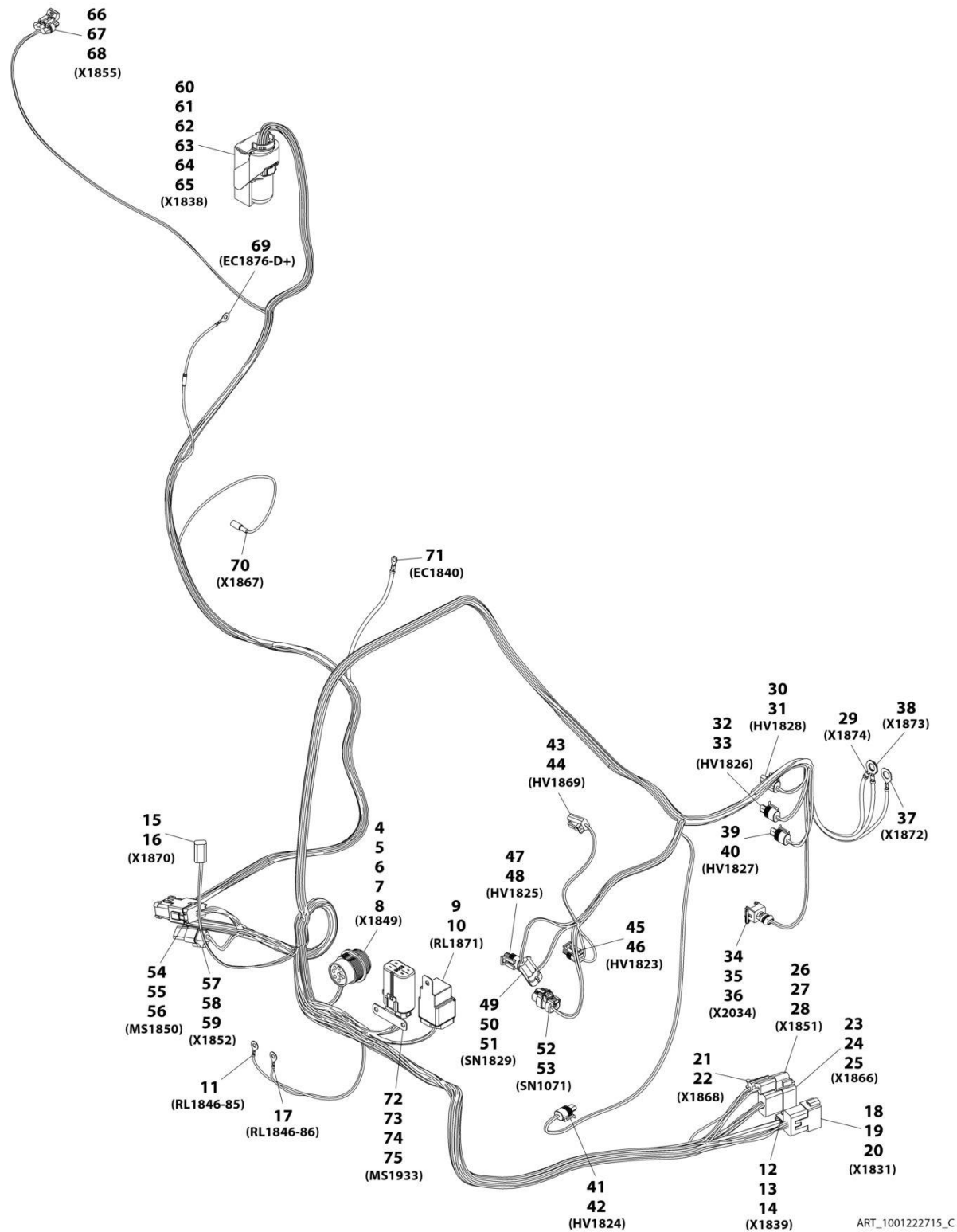
ITEM	PART NUMBER	QTY	DESCRIPTION	REV
	1001235696	Ref	Engine Harness (if equipped for ULS)	C
1	1001167641	1	Connector	
2	1001167648	10	Terminal	
3	1001167649	27	Terminal	
4	1001167650	59	Plug	
5	1001176935	1	Connector	
6	1001166704	4	Terminal	
7	4461006	4	Seal	
8	1001125027	1	Connector	
9	8220124	3	Terminal	
10	4460608	3	Seal	
11	1001246391	1	Terminal, Snap Plug	
12	1001197407	1	Ring, Terminal	
13	4461095	1	Connector	
14	4460944	2	Terminal	
15	4460466	1	Plug	
17	4460933	1	Connector	
18	4460465	8	Terminal	
19	4460466	4	Plug	
21	1001187070	1	Ring, Terminal	
22	1001126487	1	Connector	
23	1001167656	2	Terminal	
24	1001167657	2	Seal	
25	4460891	1	Connector	
26	4460465	2	Terminal	
27	4460934	1	Connector	
28	4460465	10	Terminal	
29	4460466	2	Plug	
30	4460891	1	Connector	
31	4460465	2	Terminal	
34	1001144147	1	Connector	
35	4460464	2	Terminal	
36	4460466	1	Plug	
37	4460950	1	Connector	
38	4460464	9	Terminal	
39	4460466	3	Plug	
40	4460935	1	Connector	
41	4460465	11	Terminal	
42	4460466	1	Plug	
43	4460970	1	Connector	
44	4460464	8	Terminal	
45	4460466	4	Plug	
46	1001116811	1	Connector	
47	4460508	3	Terminal	
48	1001150610	1	Terminal	
49	1001167616	1	Connector	
50	1001190921	1	Seal, Foam Fuse Box	
51	8220098	3	Terminal	
52	4460789	9	Seal	
53	8220097	29	Terminal	

## SECTION 10 - ELECTRICAL

ITEM	PART NUMBER	QTY	DESCRIPTION	REV
54	4460458	23	Seal	
55	4460748	11	Plug	
56	1001116725	2	Terminal	
57	80963067	2	Plug	
58	8229244	2	Fuse, 15amp	
59	80983191	2	Fuse, 10amp	
60	8229242	2	Fuse, 5amp	
61	1001205172	5	Relay, 35amp	
62	1001177597	1	Diode, 6amp	
63	4460930	1	Connector	
64	4460465	6	Terminal	
65	4460466	2	Plug	
67	1001125083	1	Connector	
68	1001195782	7	Plug	
69	1001195781	14	Plug	
70	1001125085	3	Terminal	
72	1001187070	1	Ring, Terminal	
73	1001187070	1	Ring, Terminal	
74	1001112612	1	Connector	
75	4469464	4	Terminal	
76	4460466	5	Plug	
77	4460497	1	Nut	
78	4460496	1	Lockwasher	
79	1001153612	1	Connector	
80	1001126011	1	Terminal	
81	4460955	1	Connector	
82	1001116748	2	Terminal	
83	4460955	1	Connector	
84	1001116748	2	Terminal	
85	4460955	1	Connector	
86	1001116748	2	Terminal	
87	4460891	1	Connector	
88	4460465	2	Terminal	
89	4460955	1	Connector	
90	1001116748	2	Terminal	
91	4460955	1	Connector	
92	1001116748	2	Terminal	
93	4460955	1	Connector	
94	1001116748	2	Terminal	
95	1001187080	1	Ring, Terminal	
96	1001117073	1	Connector	
97	1001116749	2	Terminal	
98	4460608	2	Seal	
99	1001187079	1	Ring, Terminal	
100	1001190322	1	Connector	
101	4461005	2	Terminal	
102	4461054	2	Seal	
103	1001207171	1	Ring, Terminal	
104	1001207171	1	Ring, Terminal	
105	1001116950	1	Connector	
106	4460465	2	Terminal	

# SECTION 10 - ELECTRICAL

## FIGURE 10-56. ENGINE HARNESS



# SECTION 10 - ELECTRICAL

## FIGURE 10-56. ENGINE HARNESS

ITEM	PART NUMBER	QTY	DESCRIPTION	REV
	1001222715	Ref	Engine Harness (LS)	C
4	1001112612	1	Connector	
5	4460464	4	Terminal	
6	4460466	5	Plug	
7	4460497	1	Nut	
8	4460496	1	Washer	
9	1001145707	1	Connector	
10	1001116732	4	Terminal	
11	1001187070	1	Ring, Terminal	
12	1001116811	1	Connector	
13	4460508	3	Terminal	
14	1001150610	1	Terminal	
15	4460891	1	Connector	
16	4460465	2	Terminal	
17	1001187070	1	Ring, Terminal	
18	4460970	1	Connector	
19	4460464	8	Terminal	
20	4460466	4	Plug	
21	4460891	1	Connector	
22	4460465	2	Terminal	
23	4460950	1	Connector	
24	4460464	9	Terminal	
25	4460466	3	Plug	
26	1001144147	1	Connector	
27	4460464	2	Terminal	
28	4460466	1	Plug	
29	1001187079	1	Ring, Terminal	
30	4460955	1	Connector	
31	1001116748	2	Terminal	
32	4460955	1	Connector	
33	1001116748	2	Terminal	
34	1001190322	1	Connector	
35	4461005	2	Terminal	
36	4461006	2	Seal	
37	1001187078	1	Ring, Terminal	
38	1001187079	1	Ring, Terminal	
39	4460955	1	Connector	
40	1001116748	2	Terminal	
41	4460955	1	Connector	
42	1001116748	2	Terminal	
43	4460891	1	Connector	
44	4460465	2	Terminal	
45	4460955	1	Connector	
46	1001116748	2	Terminal	
47	4460955	1	Connector	
48	1001116748	2	Terminal	
49	1001117073	1	Connector	
50	1001116749	2	Terminal	
51	4460608	2	Seal	
52	1001116950	1	Connector	

## SECTION 10 - ELECTRICAL

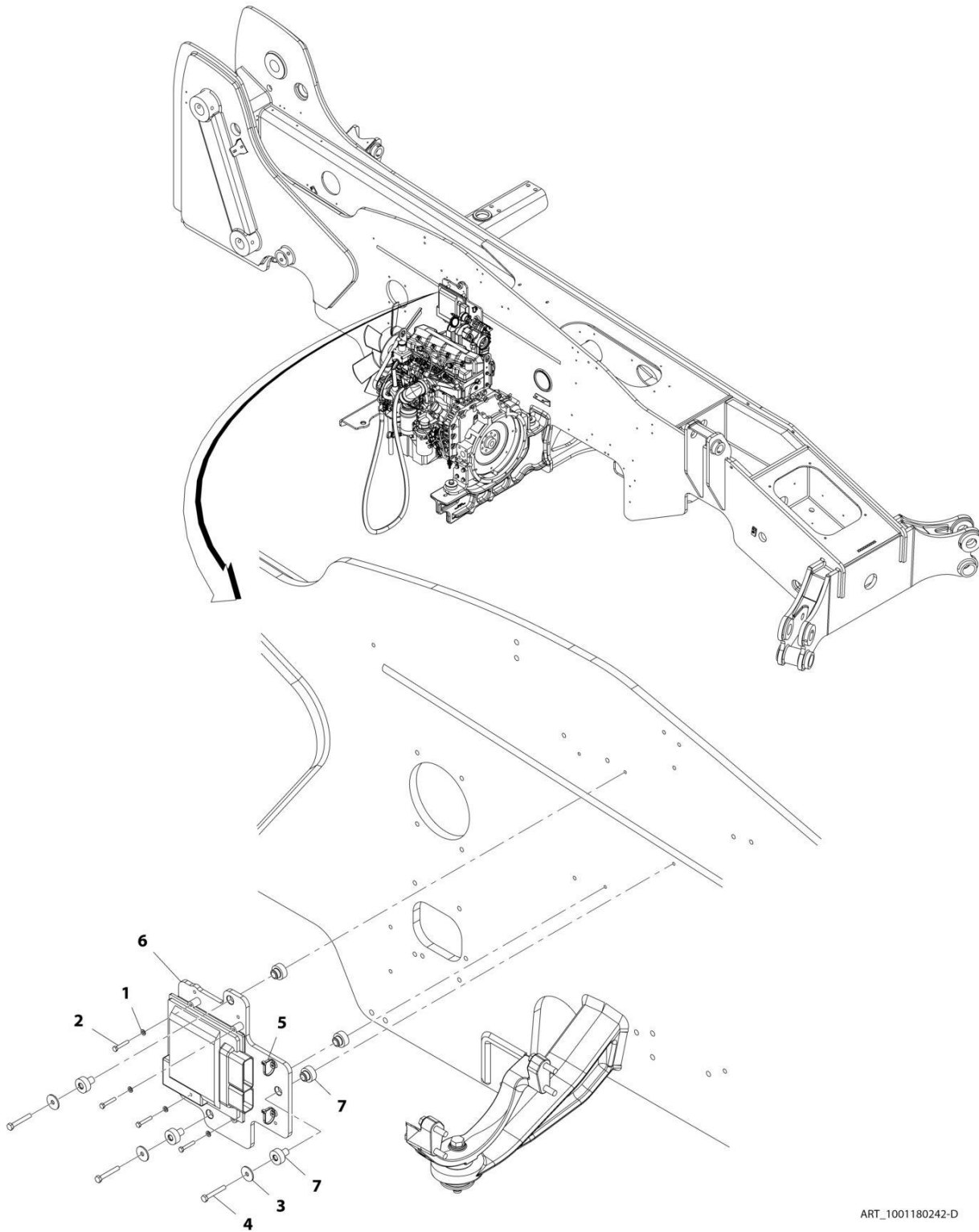
ITEM	PART NUMBER	QTY	DESCRIPTION	REV
53	4460465	2	Terminal	
54	4460933	1	Connector	
55	4460465	8	Terminal	
56	4460466	4	Plug	
57	4461095	1	Connector	
58	4460943	2	Terminal	
59	4460466	1	Plug	
60	1001126349	1	Connector	
61	1001185824	6	Terminal	
62	1001185823	11	Terminal	
63	1001126353	6	Seal	
64	1001126357	4	Plug	
65	1001126356	73	Plug	
66	1001125027	1	Connector	
67	8220124	3	Terminal	
68	4460608	3	Seal	
69	1001187070	1	Ring, Terminal	
70	1001246391	1	Terminal, Snap Plug	
71	1001197407	1	Ring, Terminal	
72	1001184551	1	Connector	
73	1001234800	1	Terminal	
74	4460746	7	Terminal	
75	4460458	8	Seal	





# SECTION 10 - ELECTRICAL

## FIGURE 10-57. ENGINE ECU INSTALLATION (LS)



ART\_1001180242-D

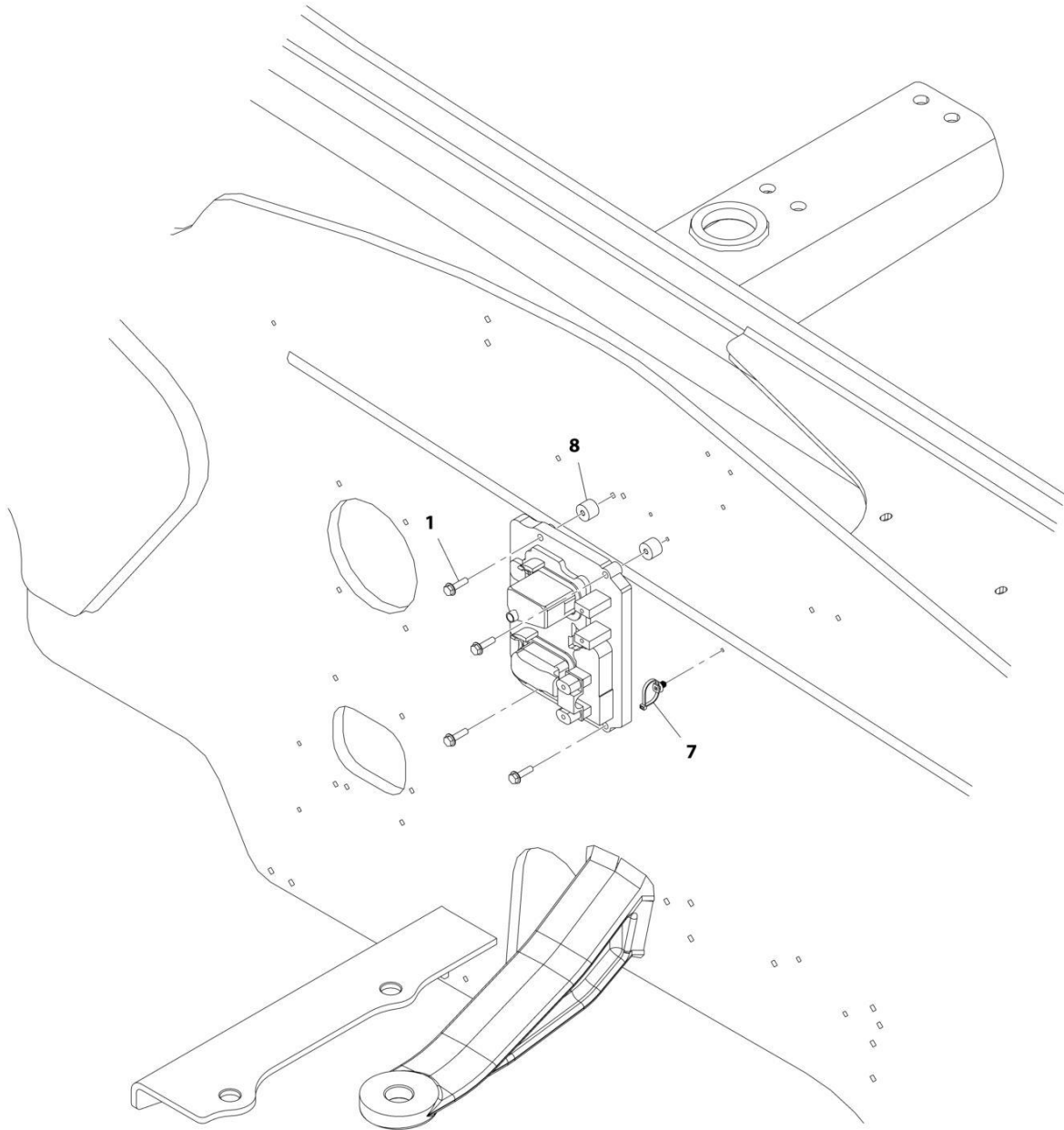
## SECTION 10 - ELECTRICAL

### FIGURE 10-57. ENGINE ECU INSTALLATION (LS)

ITEM	PART NUMBER	QTY	DESCRIPTION	REV
	1001180242	Ref	Engine ECM Installation (LS)	D
1	4811700	4	Washer, M6	
2	0760615	4	Bolt, M6X35	
3	1001195089	3	Washer	
4	0700819	3	Bolt, Grade 8	
5	1001146588	2	Strap, Tie	
6	1001192468	1	Bracket	
7	1001192471	3	Mount, Isolator	

# SECTION 10 - ELECTRICAL

## FIGURE 10-58. ENGINE ECU INSTALLATION (ULS)



ART\_1001170722-G

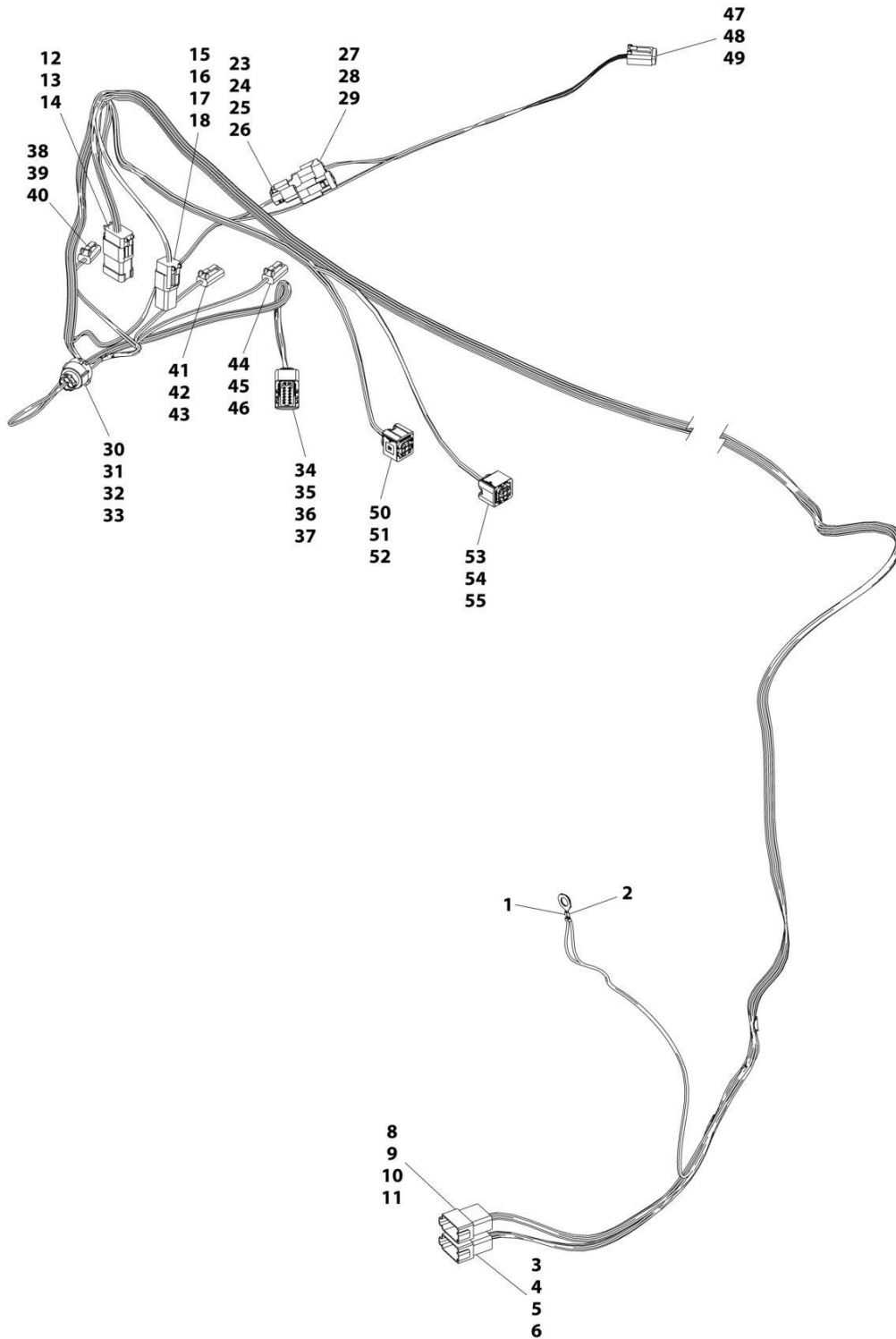
**SECTION 10 - ELECTRICAL**

**FIGURE 10-58. ENGINE ECU INSTALLATION (ULS)**

<b>ITEM</b>	<b>PART NUMBER</b>	<b>QTY</b>	<b>DESCRIPTION</b>	<b>REV</b>
	1001170722	Ref	Engine ECU Installation (if equipped for ULS)	G
1	5250814	4	Bolt, M8X30	
7	1001146588	1	Strap, Tie	
8	1001179907	4	Mount, Isolator	

# SECTION 10 - ELECTRICAL

## FIGURE 10-59. ENGINE/FRAME HARNESS



ART\_1001168952-H

# SECTION 10 - ELECTRICAL

## FIGURE 10-59. ENGINE/FRAME HARNESS

ITEM	PART NUMBER	QTY	DESCRIPTION	REV
	1001168952	Ref	Engine Chassis Harness	H
1	1001187077	1	Ring, Terminal	
2	1001187077	1	Ring, Terminal	
3	1001152742	1	Connector	
4	80363179	1	Lock, Connector	
5	4460464	10	Terminal	
6	4460466	2	Plug	
8	4460982	1	Connector	
9	80363179	1	Lock, Connector	
10	4460464	11	Terminal	
11	4460466	1	Plug	
12	4460930	1	Connector	
13	8220525	1	Lock, Connector	
14	4460465	8	Terminal	
15	4460894	1	Connector	
16	91504107	1	Lock, Connector	
17	4460465	4	Terminal	
18	4460466	2	Plug	
23	1001116812	1	Connector	
24	91554019	1	Lock, Connector	
25	4460944	2	Terminal	
26	4460466	1	Plug	
27	4460539	1	Connector	
28	4460944	2	Terminal	
29	4460466	1	Plug	
30	1001167620	1	Connector	
31	1001176004	2	Terminal	
32	1001176002	2	Seal, Terminal	
33	1001167624	2	Plug	
34	1001165194	1	Connector	
35	1001166703	10	Terminal	
36	1001126393	10	Seal, Terminal	
37	1001126391	2	Plug	
38	4460891	1	Connector	
39	80604018	1	Lock, Connector	
40	4460465	2	Terminal	
41	4460891	1	Connector	
42	80604018	1	Lock, Connector	
43	4460465	2	Terminal	
44	4460891	1	Connector	
45	80604018	1	Lock, Connector	
46	4460465	2	Terminal	
47	4460884	1	Connector	
48	80604021	1	Lock, Connector	
49	4460465	4	Terminal	
50	1001176935	1	Connector	
51	1001166704	4	Terminal	
52	1001137578	4	Seal, Terminal	
53	1001167528	1	Connector	
54	1001166704	4	Terminal	

## SECTION 10 - ELECTRICAL

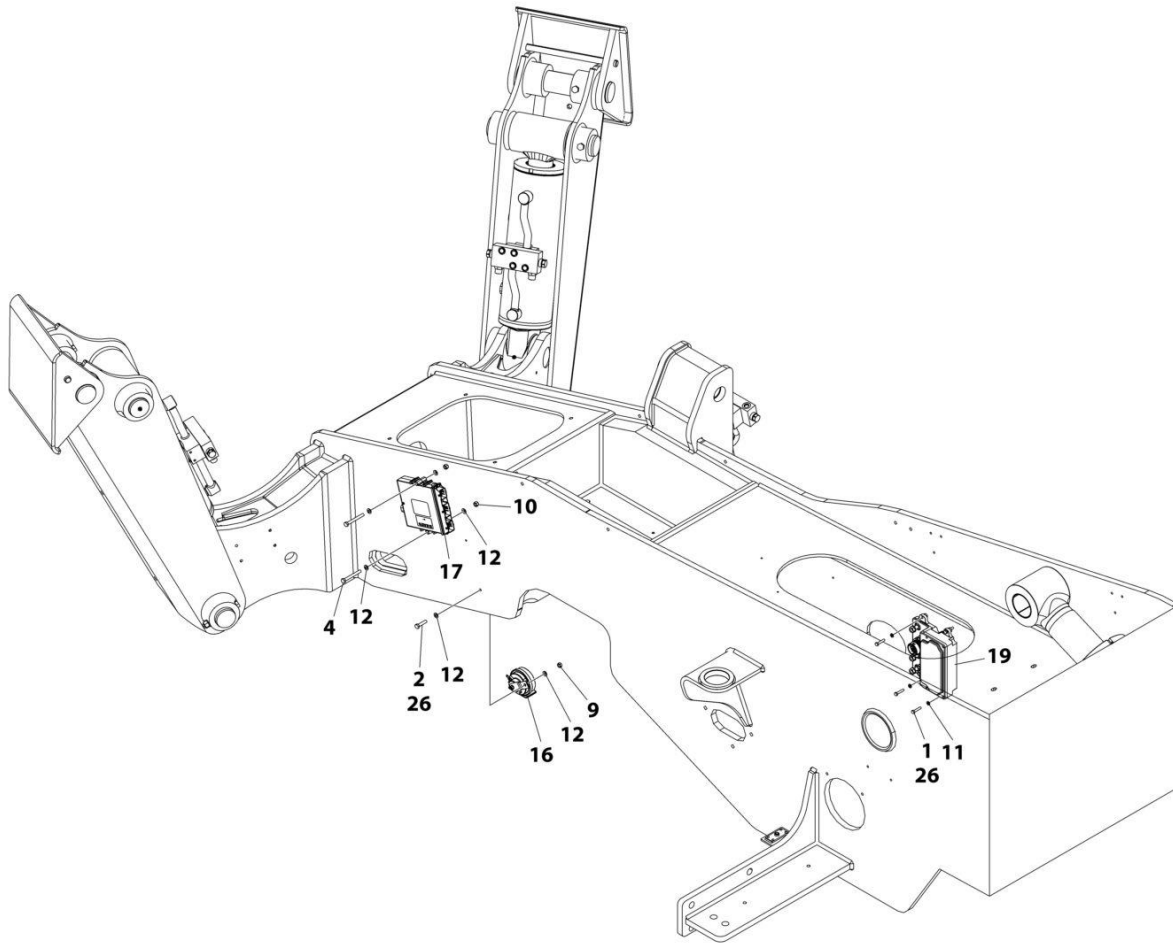
ITEM	PART NUMBER	QTY	DESCRIPTION	REV
55	1001137578	4	Seal, Terminal	





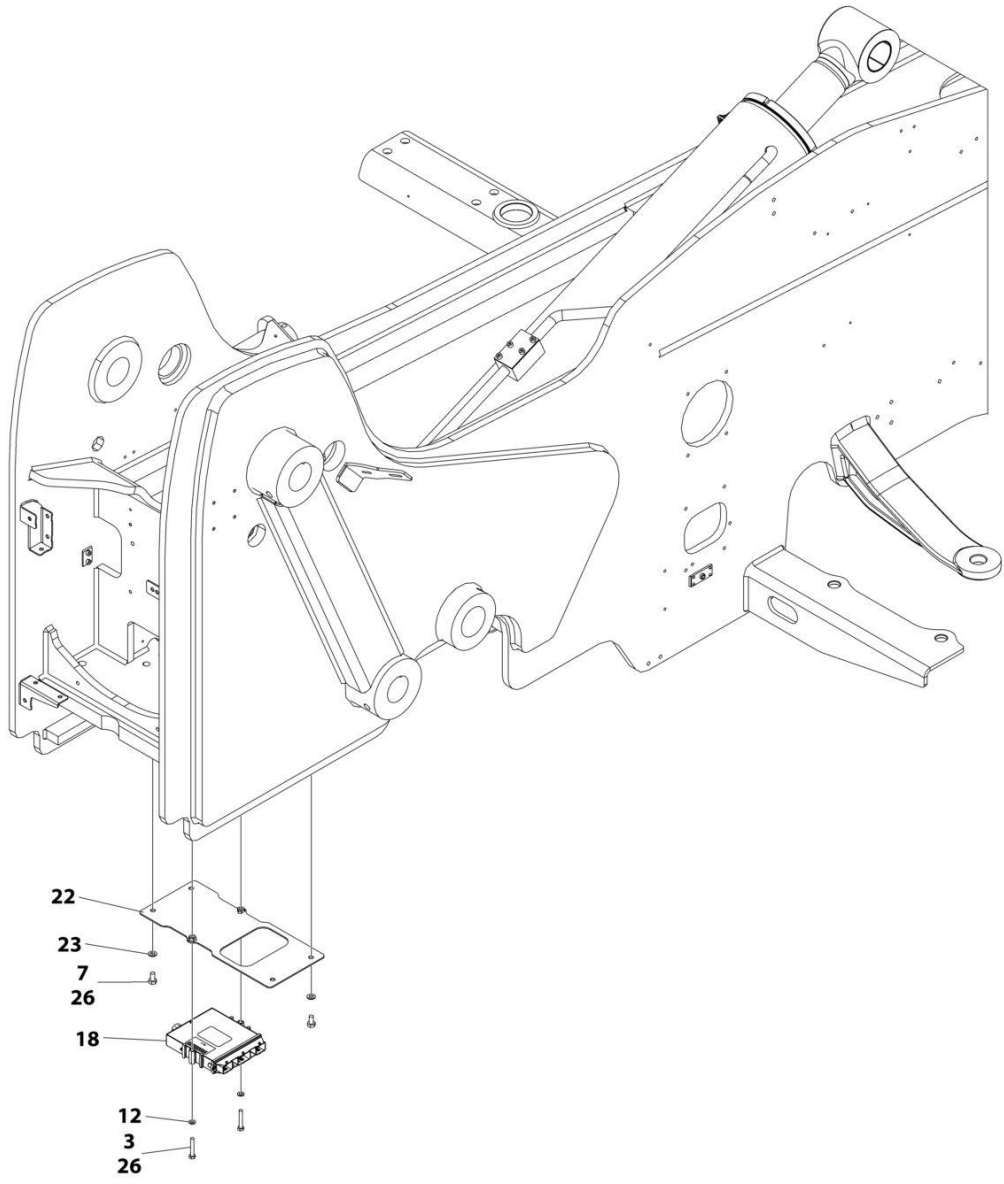
# SECTION 10 - ELECTRICAL

## FIGURE 10-60. FRAME ELECTRICAL INSTALLATION



ART\_1001161732\_M\_10F2

**SECTION 10 - ELECTRICAL**



ART\_1001161732\_M\_20F2

# SECTION 10 - ELECTRICAL

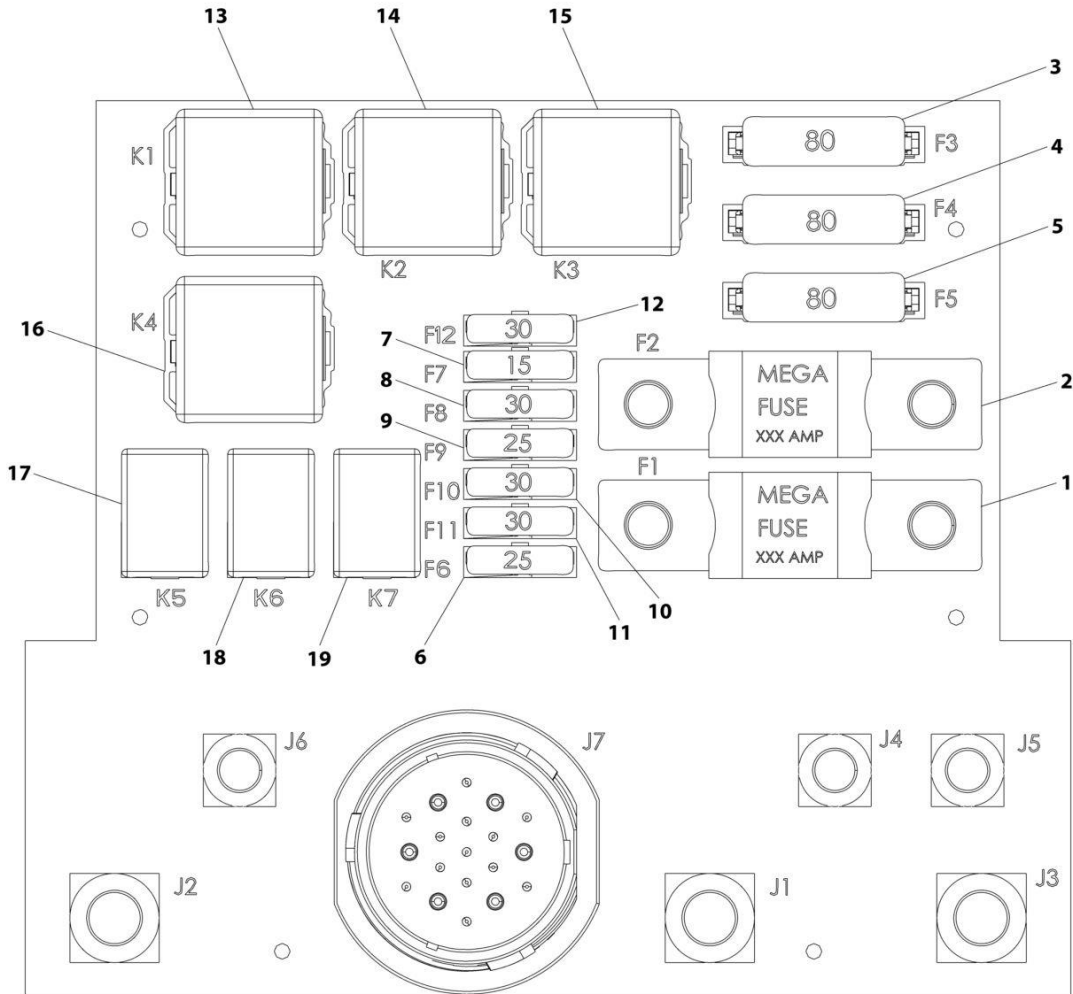
## FIGURE 10-60. FRAME ELECTRICAL INSTALLATION

ITEM	PART NUMBER	QTY	DESCRIPTION	REV
	1001161732	Ref	ELECTRICAL FRAME INSTALLATION	M
1	0700610	4	Bolt M6 x 20	
2	0760815	1	Bolt M8 x 35	
3	0700818	2	Bolt M8 x 50	
4	0700822	2	Bolt M8 x 70	
7	0761010	2	Bolt M10 x 20	
9	3290801	1	Nut M8 x 1.25 Grd8	
10	3290805	2	Nut M8 x 1.25 Grd8	
11	4811700	4	Washer M6	
12	4811900	8	Washer M8	
16	10713707	1	Horn	
17	1001270467	1	Control, Front Frame Module	
18	1001270468	1	Control, Rear Frame Module	
19	1001164402	1	Assembly, Power distribution Box (See Separate Breakdown in this Section)	
22	1001210450	1	Plate	
23	4812000	2	Washer M10	
26	1001180620	AR	Adhesive	



# SECTION 10 - ELECTRICAL

## FIGURE 10-61. FRAME POWER DISTRIBUTION ELECTRICAL BOX



ART\_1001164402-G

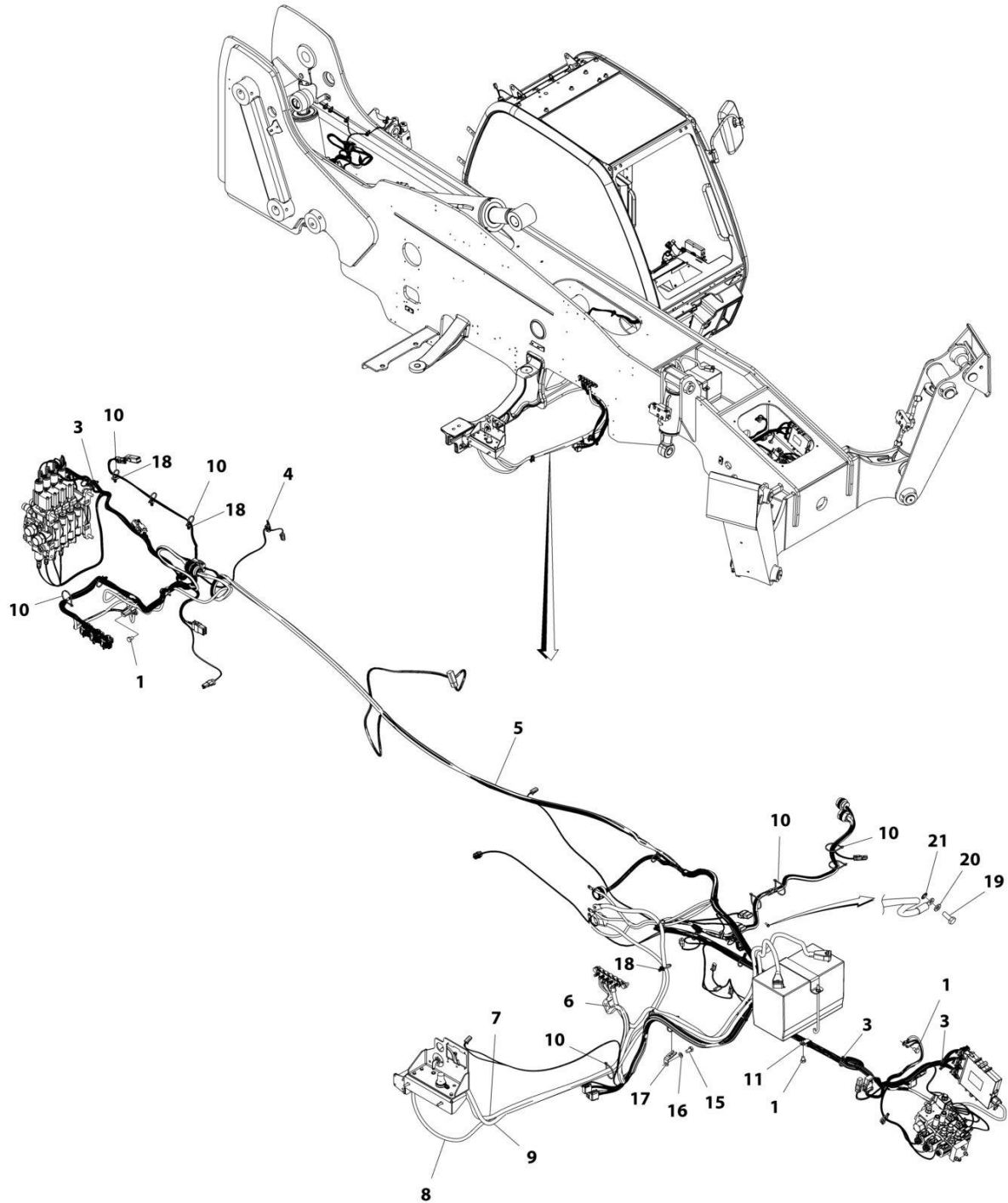
**SECTION 10 - ELECTRICAL**

**FIGURE 10-61. FRAME POWER DISTRIBUTION ELECTRICAL BOX**

ITEM	PART NUMBER	QTY	DESCRIPTION	REV
	1001164402	Ref	Power Distribution Electrical Box	G
1	1001095336	1	Fuse, 150AMP	
2	70026296	1	Fuse, 200AMP	
3	70026297	1	Fuse, 80AMP	
4	70026297	1	Fuse, 80AMP	
5	70026297	1	Fuse, 80AMP	
6	8229247	1	Fuse, 25AMP	
7	8229244	1	Fuse, 15AMP	
8	8229245	1	Fuse, 30AMP	
9	8229247	1	Fuse, 25AMP	
10	8229245	1	Fuse, 30AMP	
11	8229245	1	Fuse, 30AMP	
12	8229245	1	Fuse, 30AMP	
13	70026294	1	Fuse, 70AMP	
14	70026294	1	Fuse, 70AMP	
15	70026294	1	Fuse, 70AMP	
16	70026294	1	Fuse, 70AMP	
17	70026295	1	Fuse, 35AMP	
18	70026295	1	Fuse, 35AMP	
19	70026295	1	Fuse, 35AMP	

# SECTION 10 - ELECTRICAL

## FIGURE 10-62. FRAME WIRING INSTALLATION (LS)



ART\_1001182807\_O



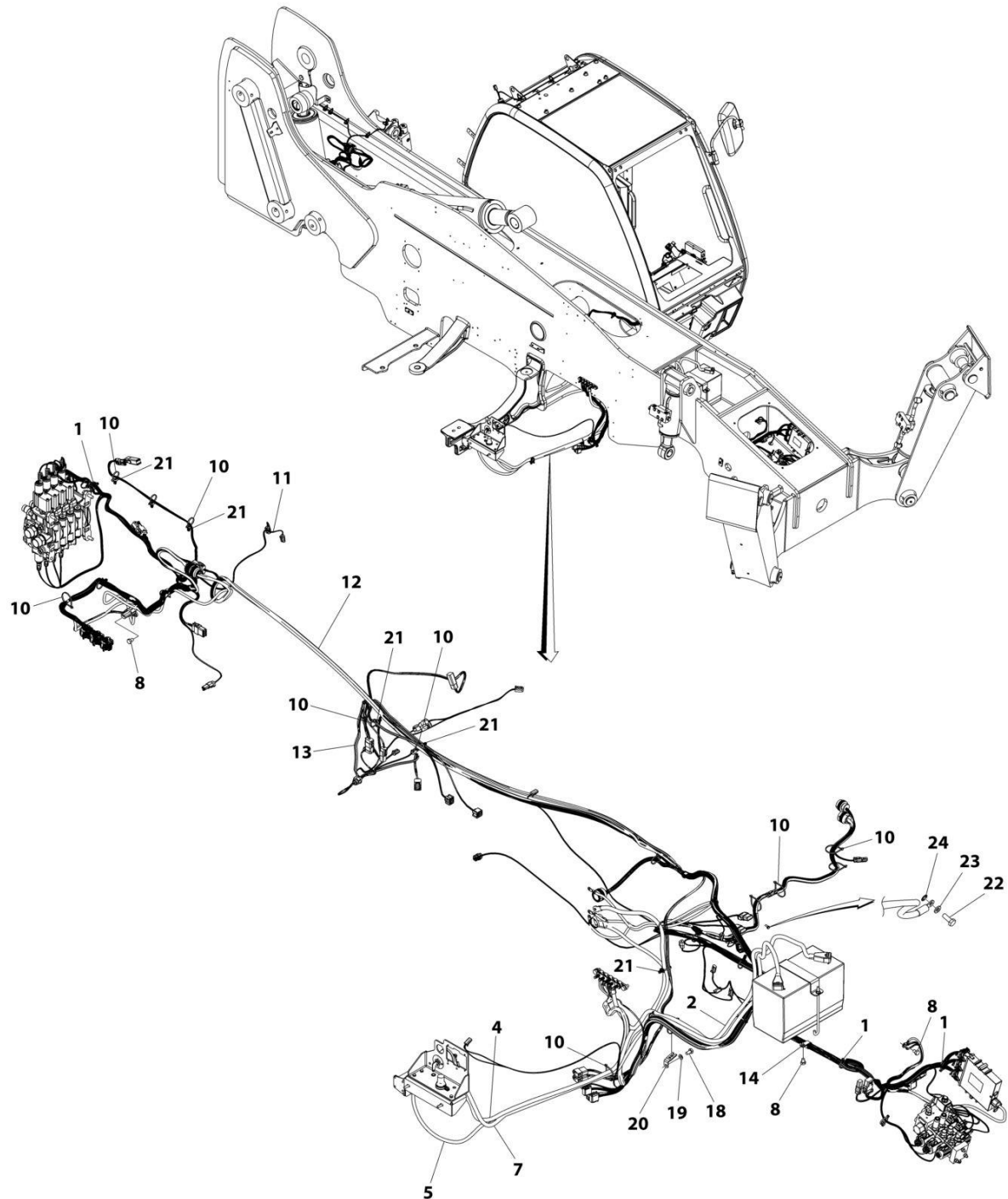
## SECTION 10 - ELECTRICAL

**FIGURE 10-62. FRAME WIRING INSTALLATION (LS)**

ITEM	PART NUMBER	QTY	DESCRIPTION	REV
	1001182807	Ref	FRAME WIRING INSTALLATION (IF EQUIPPED FOR LS)	O
1	0761007	3	Bolt M10 x 14	
3	1001146588	12	Strap, Cable	
4	1001266666	1	Harness, Rear Frame (See Separate Breakdown in this Section)	
5	1001266692	1	Harness, Front Frame (See Separate Breakdown in this Section)	
6	1001169365	1	Cable, Battery Negative	
7	1001170566	1	Cable, Battery to PDM	
8	1001200082	1	Cable, PDM to Grid Heater	
9	1001170624	1	Cable, B+ to Disconnect	
10	1001008559	21	Strap, Cable	
11	8406201	1	Clip	
15	0761010	1	Bolt M10 x 20	
16	4812000	1	Washer M10	
17	1001025753	1	Clip	
18	1001202986	14	Strap	
19	0760608	1	Bolt M6 x 16	
20	4811700	1	Washer M6	
21	4871700	1	Washer M6	

# SECTION 10 - ELECTRICAL

## FIGURE 10-63. FRAME WIRING INSTALLATION (ULS)



ART\_1001164287\_Q

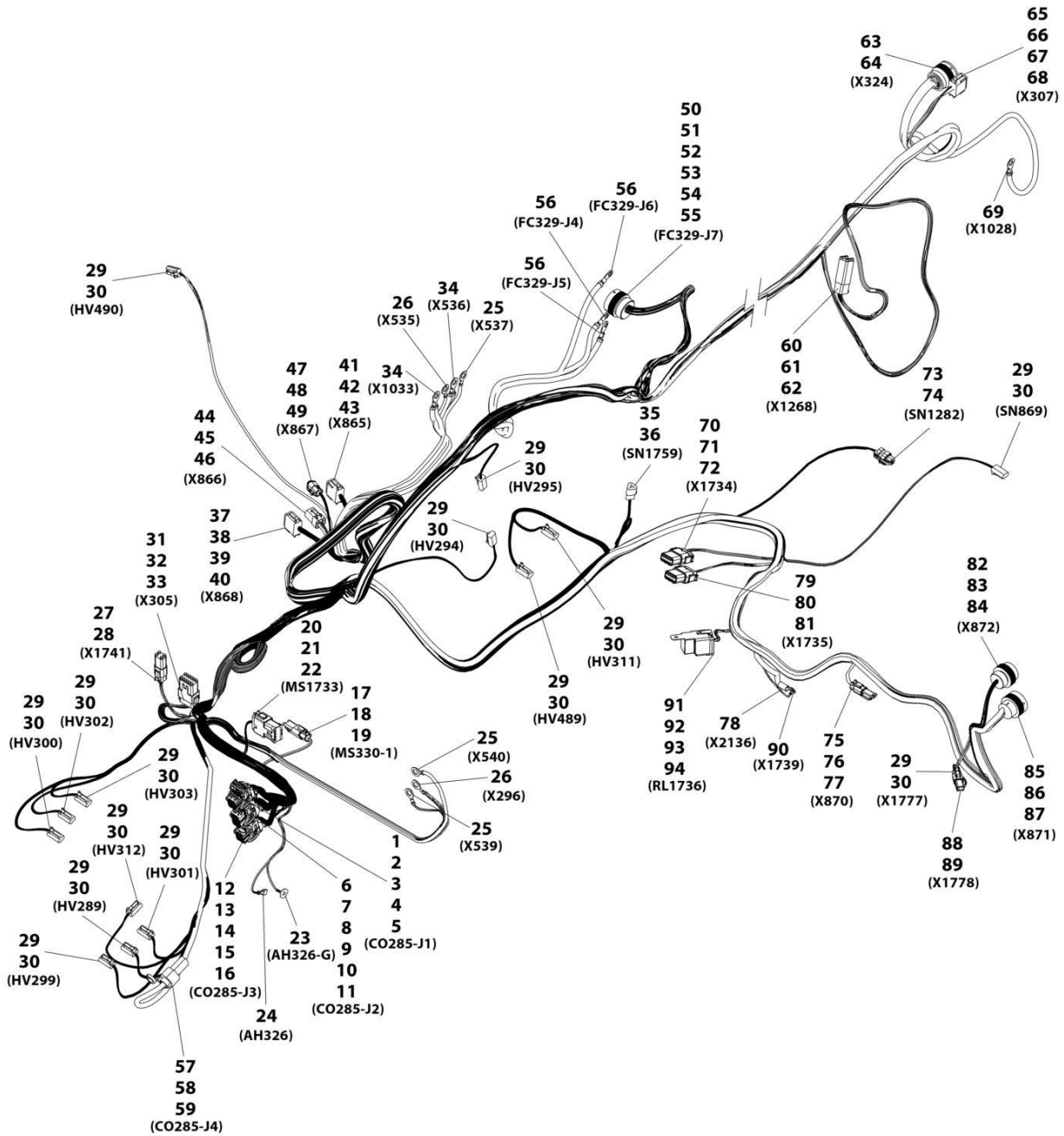
## SECTION 10 - ELECTRICAL

**FIGURE 10-63. FRAME WIRING INSTALLATION (ULS)**

ITEM	PART NUMBER	QTY	DESCRIPTION	REV
	1001164287	Ref	FRAME WIRING INSTALLATION (IF EQUIPPED FOR ULS)	Q
1	1001146588	12	Strap, Cable	
2	1001169365	1	Cable, Battery Negative	
4	1001170566	1	Cable, Battery to PDM	
5	1001200082	1	Cable, PDM to Grid Heater	
7	1001170624	1	Cable, B+ to Disconnect	
8	0761007	3	Bolt M10 x 14	
10	1001008559	23	Strap	
11	1001266666	1	Harness, Rear Frame (See Separate Breakdown in this Section)	
12	1001266692	1	Harness, Front Frame (See Separate Breakdown in this Section)	
13	1001168952	1	Harness, Cummins (See Separate Breakdown in this Section)	
14	8406201	1	Clip	
18	0761010	1	Bolt M10 x 20	
19	4812000	1	Washer M10	
20	1001025753	1	Clip	
21	1001202986	16	Strap	
22	0760608	1	Bolt M6 x 16	
23	4811700	1	Washer M6	
24	4871700	1	Washer M6	

SECTION 10 - ELECTRICAL

FIGURE 10-64. FRAME HARNESS - FRONT



ART\_1001266692-C

## SECTION 10 - ELECTRICAL

### FIGURE 10-64. FRAME HARNESS - FRONT

ITEM	PART NUMBER	QTY	DESCRIPTION	REV
	1001266692	Ref	FRONT FRAME HARNESS	C
1	1001161957	1	Connector	
2	1001161097	19	Terminal	
3	1001161100	5	Plug	
4	1001161101	7	Plug	
5	1001161098	1	Terminal	
6	1001161963	1	Connector	
7	1001161097	19	Terminal	
8	1001161100	21	Plug	
9	1001161098	1	Terminal	
10	1001161099	5	Terminal	
11	1001161101	2	Plug	
12	1001160500	1	Connector	
13	1001161100	15	Plug	
14	1001161097	9	Terminal	
15	1001161099	7	Terminal	
16	1001161101	1	Plug	
17	1001116812	1	Connector	
18	4460944	2	Terminal	
19	4460466	1	Plug	
20	4460933	1	Connector	
21	4460465	10	Terminal	
22	4460466	2	Plug	
23	1001187073	1	Connector	
24	8220051	1	Connector	
25	1001187080	1	Connector	
26	1001187079	1	Connector	
27	4460884	1	Connector	
28	4460465	4	Terminal	
29	4460891	1	Connector	
30	4460465	2	Terminal	
31	4460933	1	Connector	
32	4460942	10	Terminal	
33	4460466	2	Terminal	
34	1001128127	1	Connector	
35	4460539	1	Connector	
36	4460465	3	Terminal	
37	4460836	1	Connector	
38	4460942	1	Terminal	
39	4460465	10	Terminal	
40	4460466	1	Terminal	
41	1001116812	1	Connector	
42	4460465	2	Terminal	
43	4460466	1	Plug	
44	1001116810	1	Connector	
45	1001150611	3	Terminal	
46	4460509	1	Terminal	
47	4460933	1	Connector	
48	4460465	8	Terminal	
49	4460466	4	Plug	

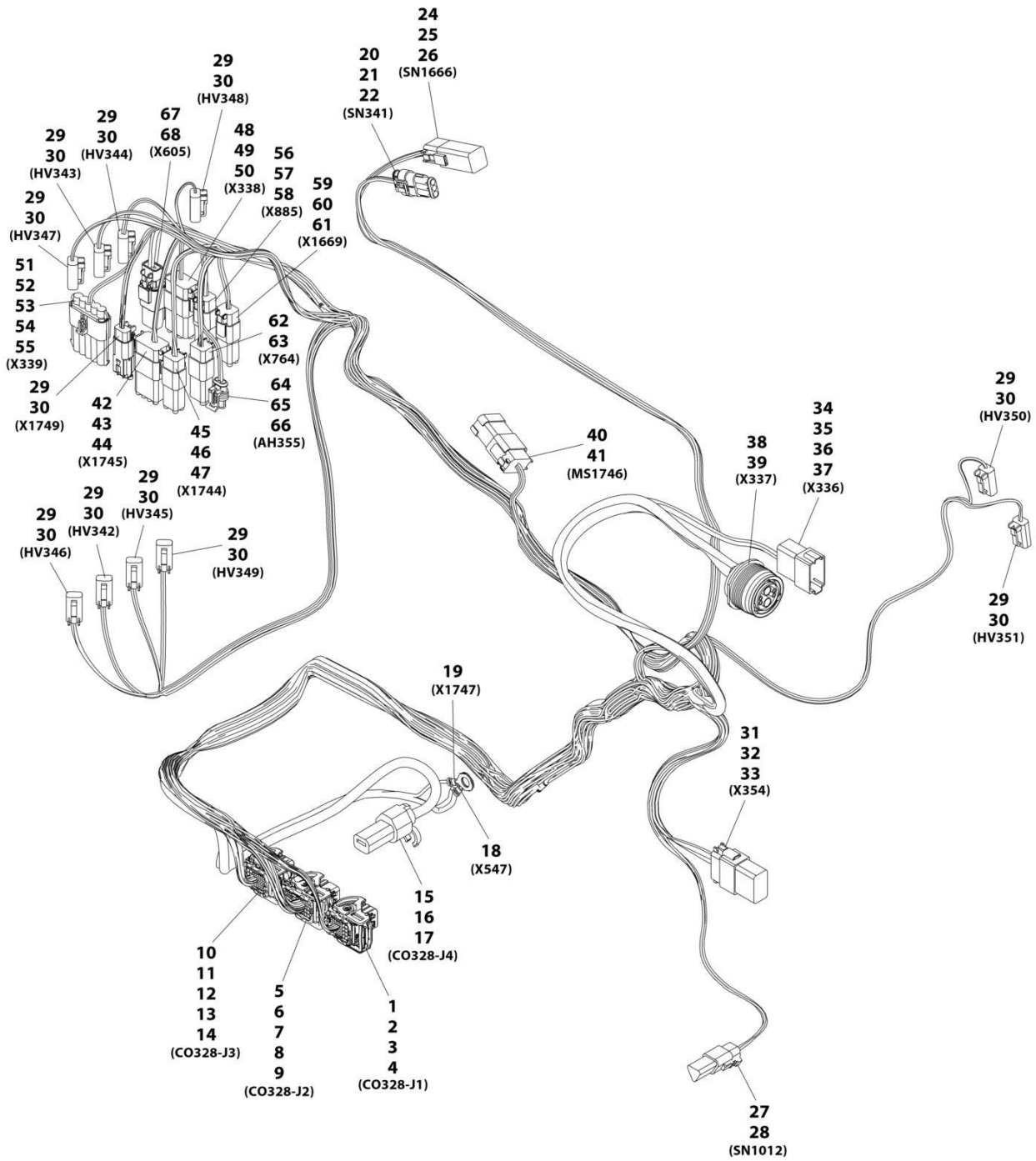
## SECTION 10 - ELECTRICAL

ITEM	PART NUMBER	QTY	DESCRIPTION	REV
50	1001165309	1	Connector	
51	4460466	2	Plug	
52	4460465	8	Terminal	
53	4460942	3	Terminal	
54	1001150611	3	Terminal	
55	4460509	3	Terminal	
56	1001187075	1	Connector	
57	1001160509	1	Connector	
58	1001160510	1	Terminal	
59	1001175267	1	Seal	
60	4460894	1	Connector	
61	4460942	4	Terminal	
62	4460465	2	Terminal	
63	1001165310	1	Connector	
64	91013192	2	Terminal	
65	4460933	1	Connector	
66	4460465	4	Terminal	
67	4460942	2	Terminal	
68	4460466	6	Plug	
69	1001187076	1	Connector	
70	1001116808	1	Connector	
71	4460518	9	Plug	
72	1001126008	3	Terminal	
73	1001116950	1	Connector	
74	4460465	2	Terminal	
75	4460891	1	Connector	
76	4460942	1	Terminal	
77	4460466	1	Plug	
78	8220116	1	Connector	
79	1001116774	1	Connector	
80	4460518	10	Plug	
81	1001126008	2	Terminal	
82	4461015	1	Connector	
83	4460465	12	Terminal	
84	4460466	2	Terminal	
85	1001118323	1	Connector	
86	4460942	4	Terminal	
87	91013192	2	Terminal	
88	4460897	1	Connector	
89	4460464	2	Terminal	
90	1001207173	1	Connector	
91	1001231398	1	Connector	
92	1001231400	4	Terminal	
93	1001231406	1	Plug	
94	1001231404	4	Seal	



# SECTION 10 - ELECTRICAL

## FIGURE 10-65. FRAME HARNESS - REAR



ART\_1001266666-C



# SECTION 10 - ELECTRICAL

## FIGURE 10-65. FRAME HARNESS - REAR

ITEM	PART NUMBER	QTY	DESCRIPTION	REV
	1001266666	Ref	REAR FRAME HARNESS	C
1	1001161957	1	Connector	
2	1001161097	7	Terminal	
3	1001161100	17	Plug	
4	1001161101	8	Plug	
5	1001161963	1	Connector	
6	1001161097	26	Terminal	
7	1001161100	14	Plug	
8	1001161099	5	Terminal	
9	1001161101	3	Plug	
10	1001160500	1	Connector	
11	1001161100	20	Plug	
12	1001161097	4	Terminal	
13	1001161099	7	Terminal	
14	1001161101	1	Plug	
15	1001160509	1	Connector	
16	1001160510	1	Terminal	
17	1001175267	1	Seal	
18	1001187076	1	Connector	
19	1001187078	1	Connector	
20	4461262	1	Connector	
21	1001107854	3	Terminal	
22	1001114498	3	Seal	
24	4460894	1	Connector	
25	4460465	4	Terminal	
26	4460466	2	Plug	
27	4460539	1	Connector	
28	4460465	3	Terminal	
29	4460891	1	Connector	
30	4460465	2	Terminal	
31	4460933	1	Connector	
32	4460942	10	Terminal	
33	4460466	2	Plug	
34	4460970	1	Connector	
35	4460464	5	Terminal	
36	4460941	1	Terminal	
37	4460466	6	Plug	
38	1001165311	1	Connector	
39	91013191	2	Terminal	
40	4460933	1	Connector	
41	4460465	12	Terminal	
42	4460930	1	Connector	
43	4460465	6	Terminal	
44	4460466	2	Plug	
45	4460894	1	Connector	
46	4460465	3	Terminal	
47	4460466	3	Plug	
48	4460930	1	Connector	
49	4460466	6	Plug	
50	4460465	2	Terminal	

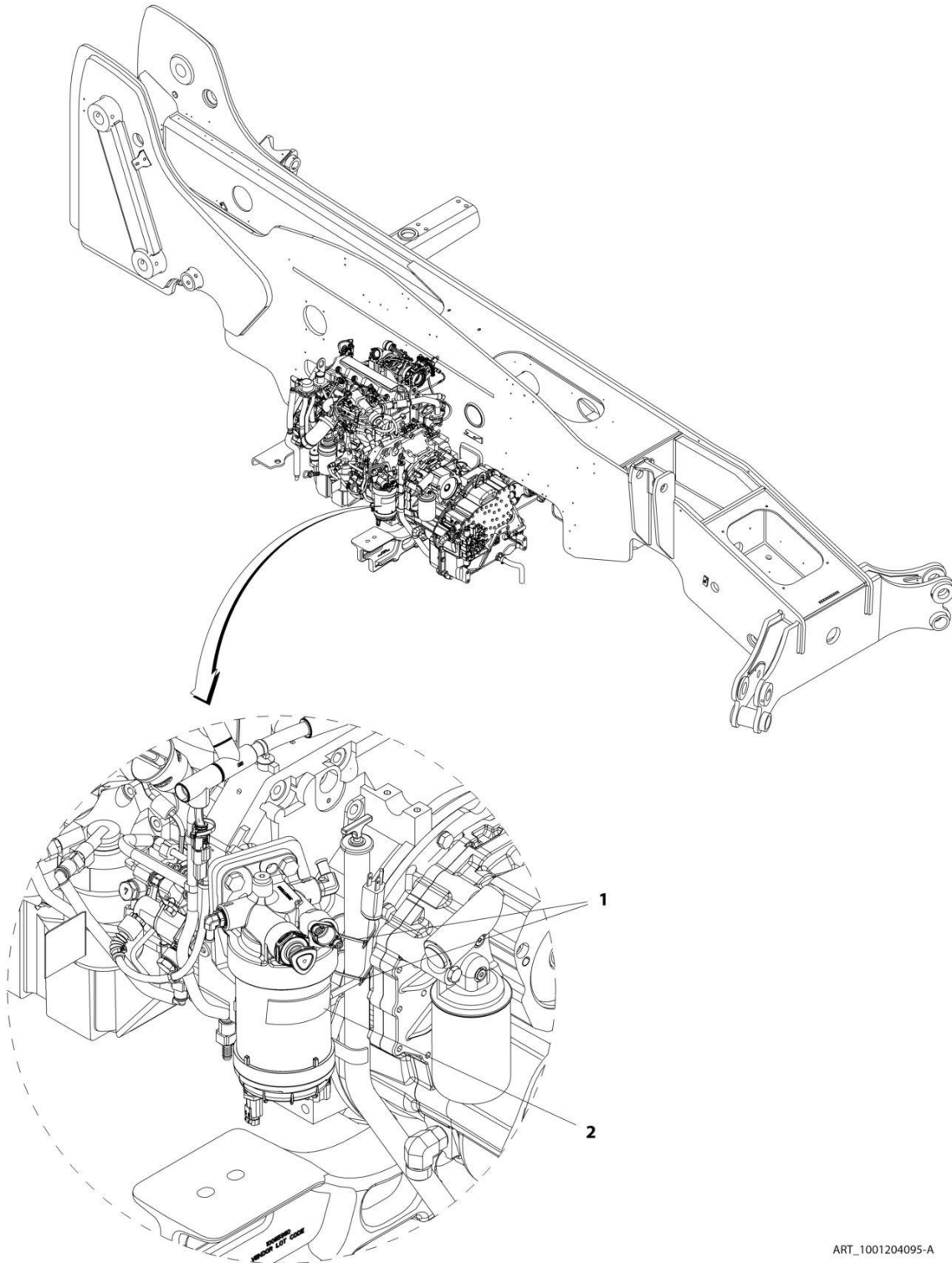
## SECTION 10 - ELECTRICAL

ITEM	PART NUMBER	QTY	DESCRIPTION	REV
51	1001121726	1	Connector	
52	1001116728	3	Terminal	
53	1001116727	2	Plug	
54	1001175265	2	Seal	
55	4460458	1	Seal	
56	4460884	1	Connector	
57	4460465	2	Terminal	
58	4460466	2	Plug	
59	4460884	1	Connector	
60	4460465	4	Terminal	
61	4460466	1	Plug	
62	4460884	1	Connector	
63	4460465	4	Terminal	
64	4461118	1	Connector	
65	1001107854	2	Terminal	
66	1001116763	2	Seal	
67	4461018	1	Connector	
68	4460509	2	Terminal	



# SECTION 10 - ELECTRICAL

## FIGURE 10-66. HEATER INSTALLATION - FUEL FILTER



ART\_1001204095-A

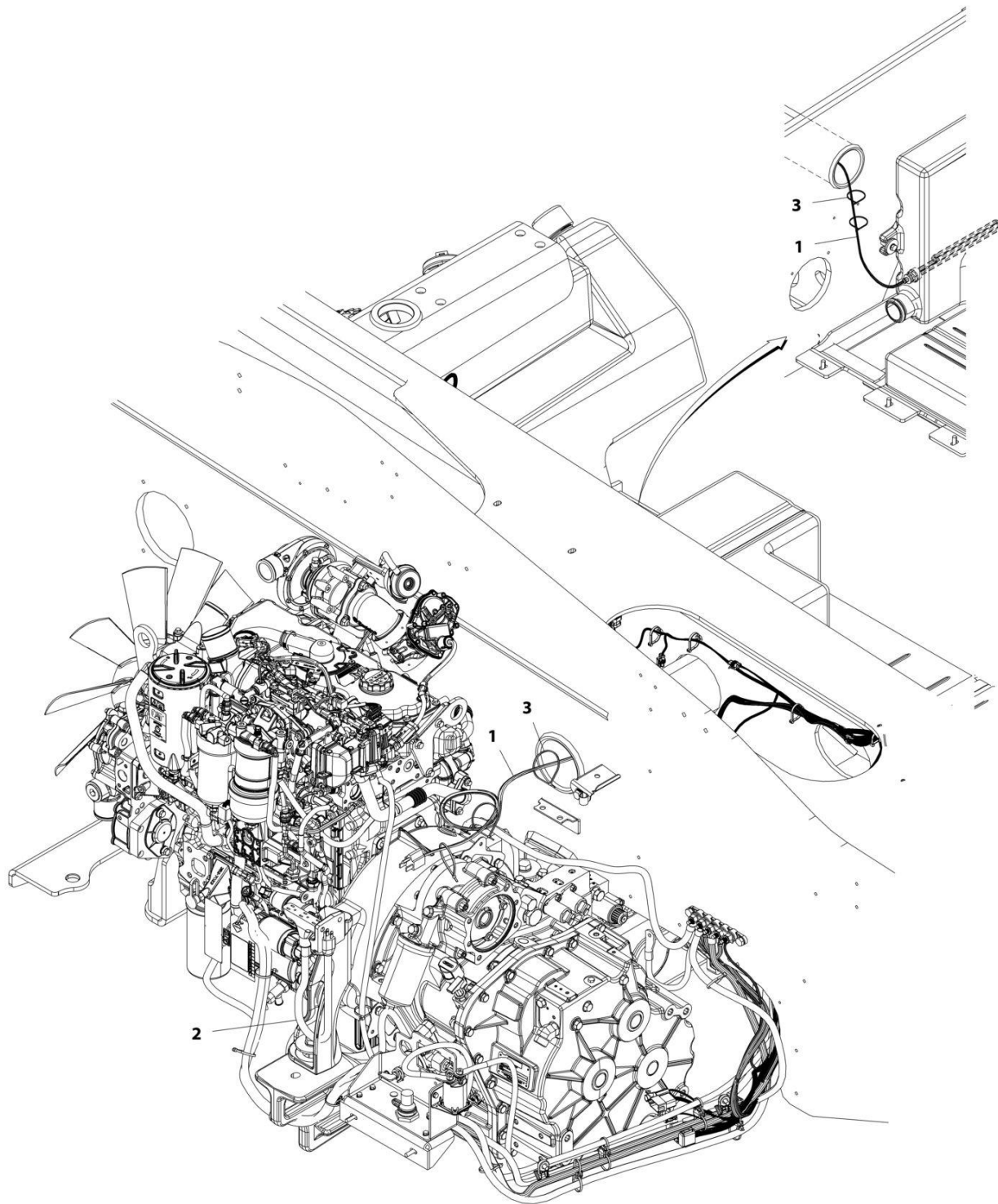
## SECTION 10 - ELECTRICAL

### FIGURE 10-66. HEATER INSTALLATION - FUEL FILTER

ITEM	PART NUMBER	QTY	DESCRIPTION	REV
	1001204095	Ref	Fuel Filter Heater Installation	A
1	4240099	2	Strap, Tie	
2	1001202498	1	Pad	

# SECTION 10 - ELECTRICAL

## FIGURE 10-67. HEATER INSTALLATION - TANK (HYDRAULIC)



ART\_1001190671-B

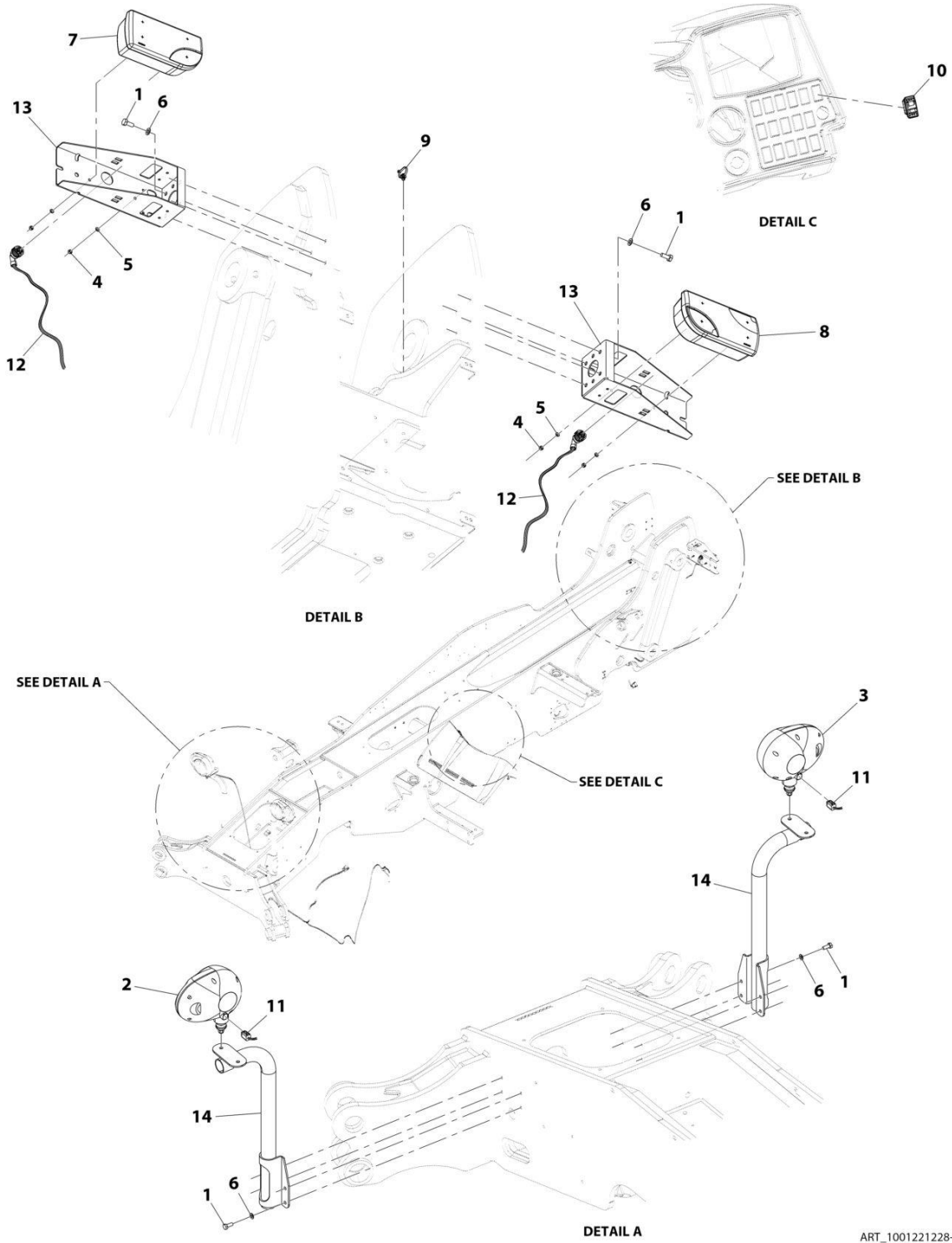
## SECTION 10 - ELECTRICAL

**FIGURE 10-67. HEATER INSTALLATION - TANK (HYDRAULIC)**

ITEM	PART NUMBER	QTY	DESCRIPTION	REV
	1001190671	Ref	Hydraulic Tank Heater Installation	B
1	1001105886	1	Heater, Immersion	
2	1060626	1	Cord, 3-Way Extension	
3	4240099	5	Strap, Tie	

# SECTION 10 - ELECTRICAL

## FIGURE 10-68. LIGHTS - ROADLIGHTS INSTALLATION



ART\_1001221228-A



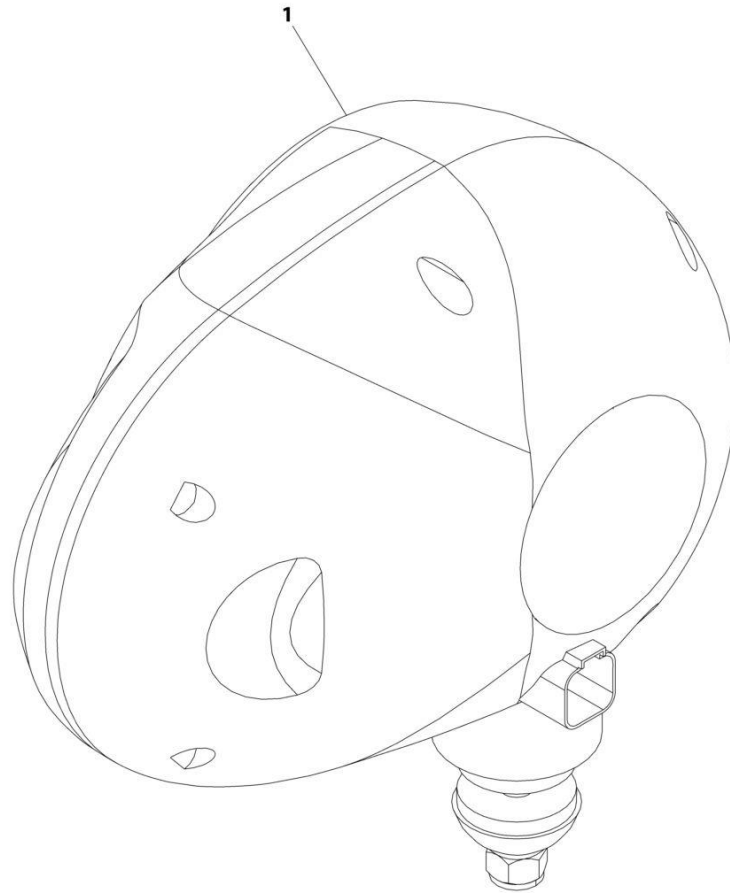
## SECTION 10 - ELECTRICAL

### FIGURE 10-68. LIGHTS - ROADLIGHTS INSTALLATION

ITEM	PART NUMBER	QTY	DESCRIPTION	REV
	1001221228	Ref	Road Lights Installation	A
1	0761012	16	Bolt, M10X25	
2	2920207	1	Driving Light, LH	
3	2920208	1	Driving Light, RH	
4	3290607	4	Nut, M6X1	
5	4811700	4	Washer, M6	
6	4812000	16	Washer, M10	
7	1001091715	1	Lamp, Rear LH	
8	1001091716	1	Lamp, Rear RH	
9	1001146588	1	Strap, Cable	
10	1001159734	1	Switch, Hazard	
11	1001165360	1	Harness, Front Frame Headlight (See Separate Breakdown in this Section)	
12	1001165594	1	Harness, HBP Tail Lights (See Separate Breakdown in this Section)	
13	1001196100	2	Bracket	
14	1001220817	2	Bracket	

# SECTION 10 - ELECTRICAL

FIGURE 10-69. LIGHTS - ROADLIGHTS DRIVING LIGHTS (LH)



ART\_2920207-F

## SECTION 10 - ELECTRICAL

FIGURE 10-69. LIGHTS - ROADLIGHTS DRIVING LIGHTS (LH)

ITEM	PART NUMBER	QTY	DESCRIPTION	REV
	2920207	Ref	Driving Light (RHD - LH)	F
	7029969	1	Bulb, 4W	

# SECTION 10 - ELECTRICAL

FIGURE 10-70. LIGHTS - ROADLIGHTS DRIVING LIGHTS (RH)



ART\_2920208-C

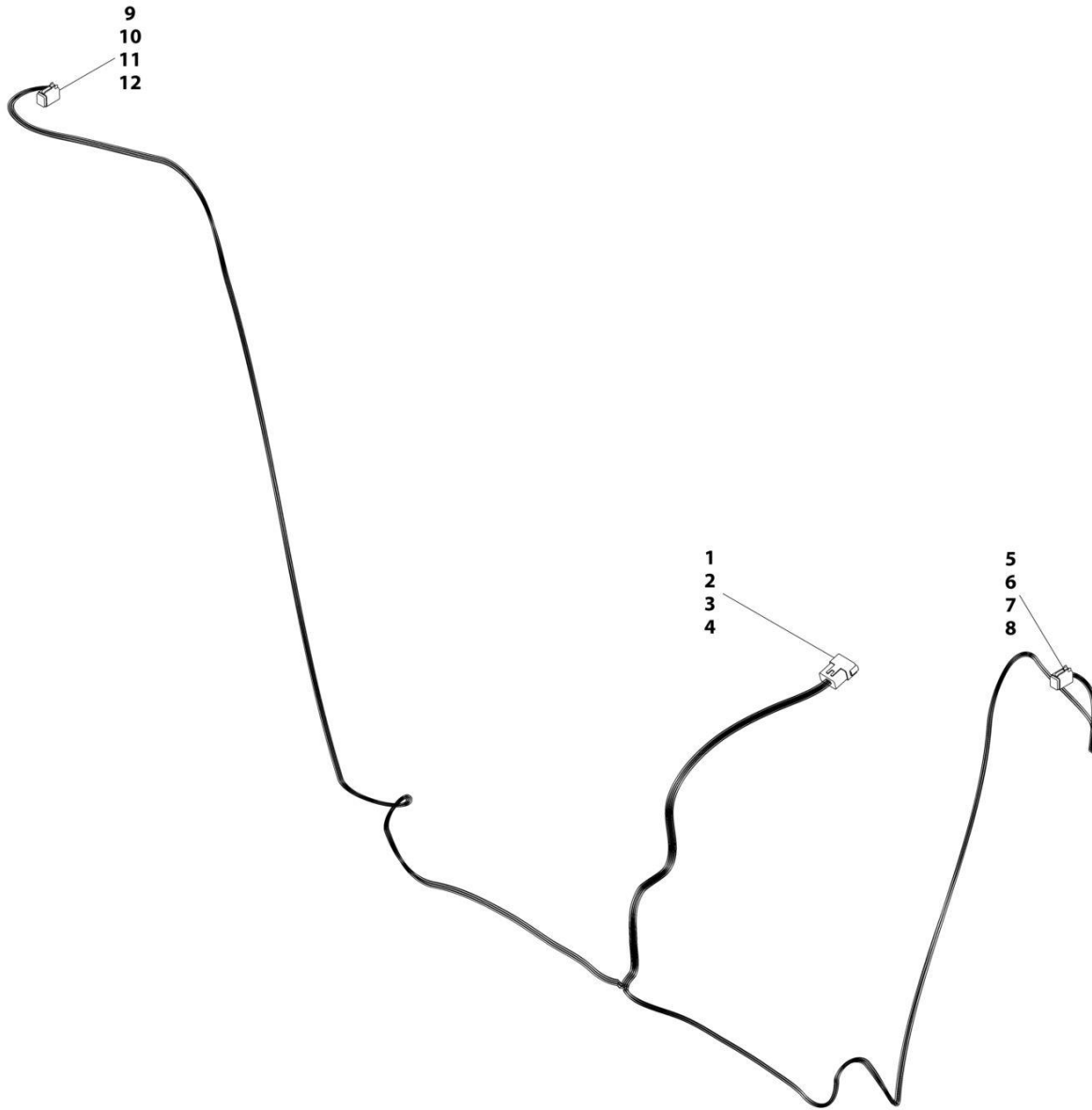
## SECTION 10 - ELECTRICAL

### FIGURE 10-70. LIGHTS - ROADLIGHTS DRIVING LIGHTS (RH)

ITEM	PART NUMBER	QTY	DESCRIPTION	REV
	2920208	Ref	Driving Light (RHD - RH)	C
	7029969	1	Bulb, 4W	
	7029970	1	Bulb, 55W	
	7029971	1	Bulb, 21W	

# SECTION 10 - ELECTRICAL

## FIGURE 10-71. LIGHTS - ROADLIGHTS DRIVING LIGHTS HARNESS



ART\_1001165360-D

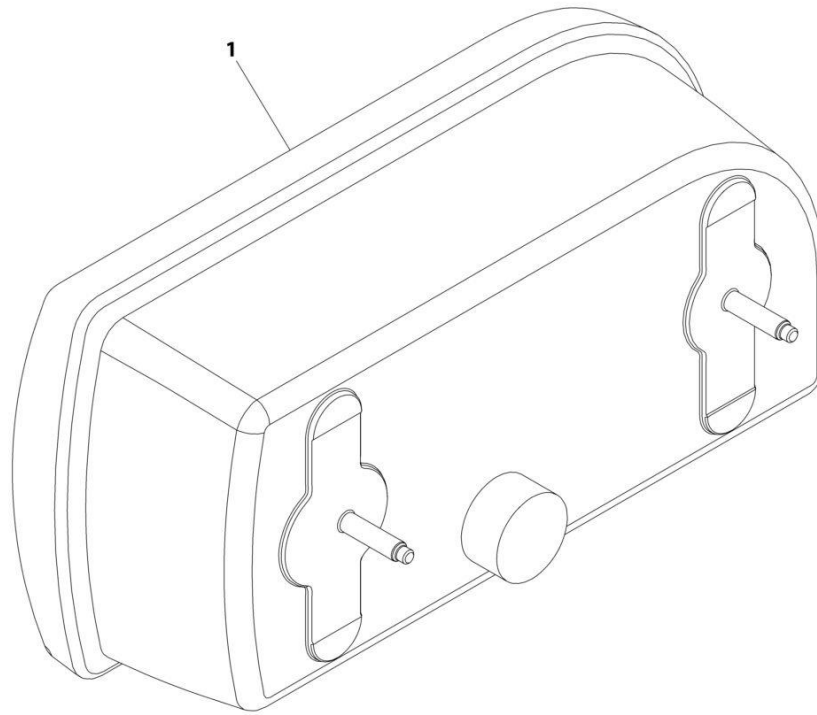
# SECTION 10 - ELECTRICAL

## FIGURE 10-71. LIGHTS - ROADLIGHTS DRIVING LIGHTS HARNESS

ITEM	PART NUMBER	QTY	DESCRIPTION	REV
	1001165360	Ref	Front Frame Headlight Harness	D
1	4460970	1	Connector	
2	80363179	1	Lock, Connector	
3	4460941	10	Terminal	
4	4460466	2	Plug	
5	4460894	1	Connector	
6	91504107	1	Lock, Connector	
7	4460942	5	Terminal	
8	4460466	1	Plug	
9	4460894	1	Connector	
10	91504107	1	Lock, Connector	
11	4460942	5	Terminal	
12	4460466	1	Plug	

# SECTION 10 - ELECTRICAL

FIGURE 10-72. LIGHTS - ROADLIGHTS TAILLIGHT (LH)



ART\_1001091715-C



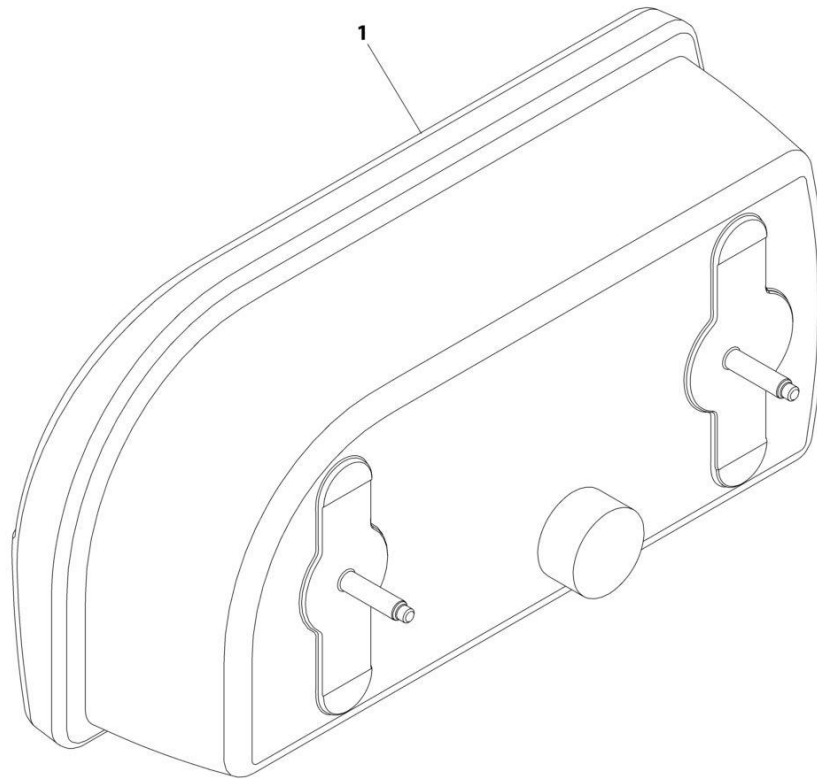
## SECTION 10 - ELECTRICAL

### FIGURE 10-72. LIGHTS - ROADLIGHTS TAILLIGHT (LH)

ITEM	PART NUMBER	QTY	DESCRIPTION	REV
	1001091715	Ref	Rear Light (LH)	C
	70021341	1	Bulb, 5W	
	70021340	1	Bulb, 21W	
	7029971	1	Bulb, 21W	

# SECTION 10 - ELECTRICAL

FIGURE 10-73. LIGHTS - ROADLIGHTS TAILLIGHT (RH)



ART\_1001091716-C

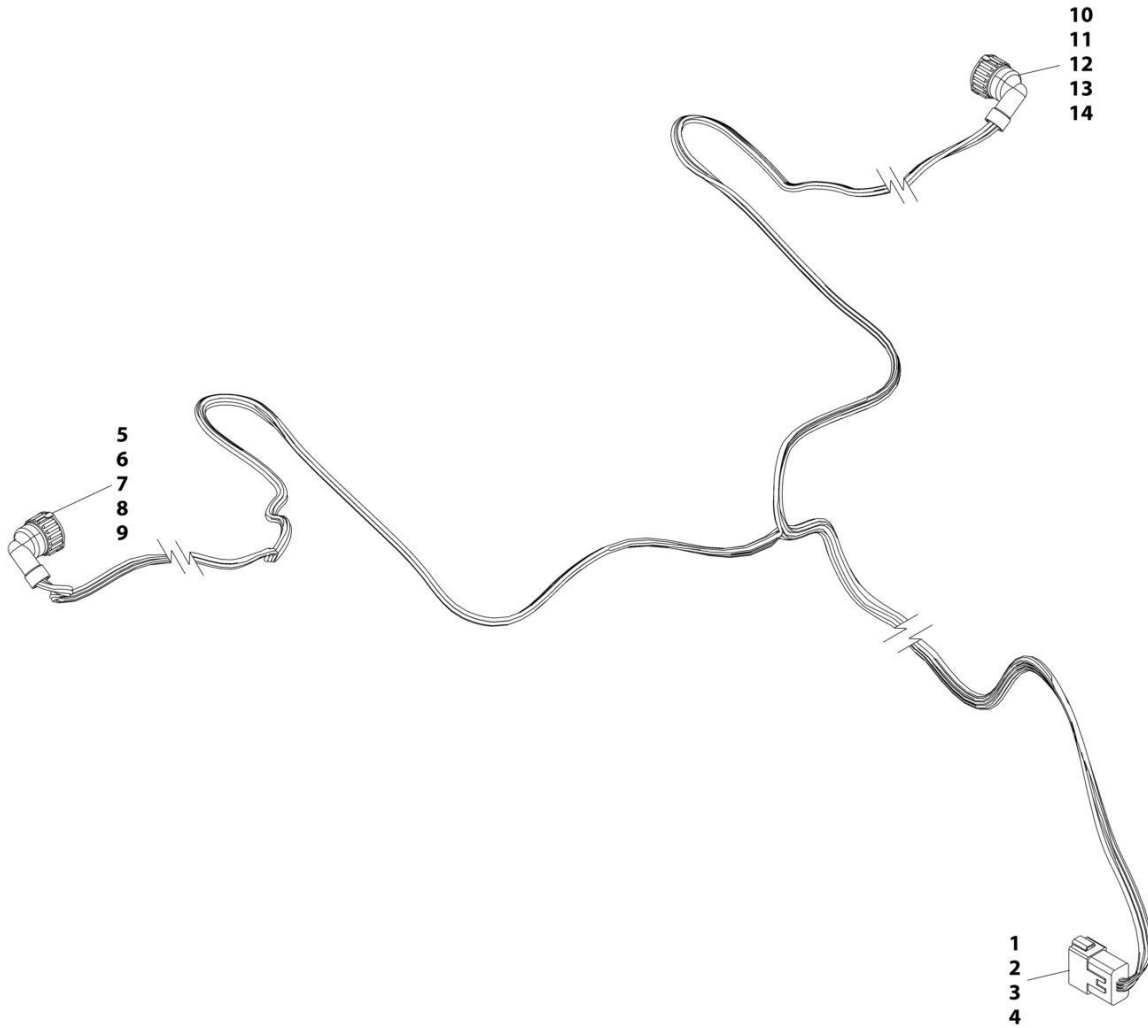
## SECTION 10 - ELECTRICAL

### FIGURE 10-73. LIGHTS - ROADLIGHTS TAILLIGHT (RH)

ITEM	PART NUMBER	QTY	DESCRIPTION	REV
	1001091716	Ref	Rear Light (RH)	C
	70021341	1	Bulb, 5W	
	70021340	1	Bulb, 21W	
	7029971	1	Bulb, 21W	

# SECTION 10 - ELECTRICAL

## FIGURE 10-74. LIGHTS - TAILLIGHTS HARNESS



ART\_1001165594-E

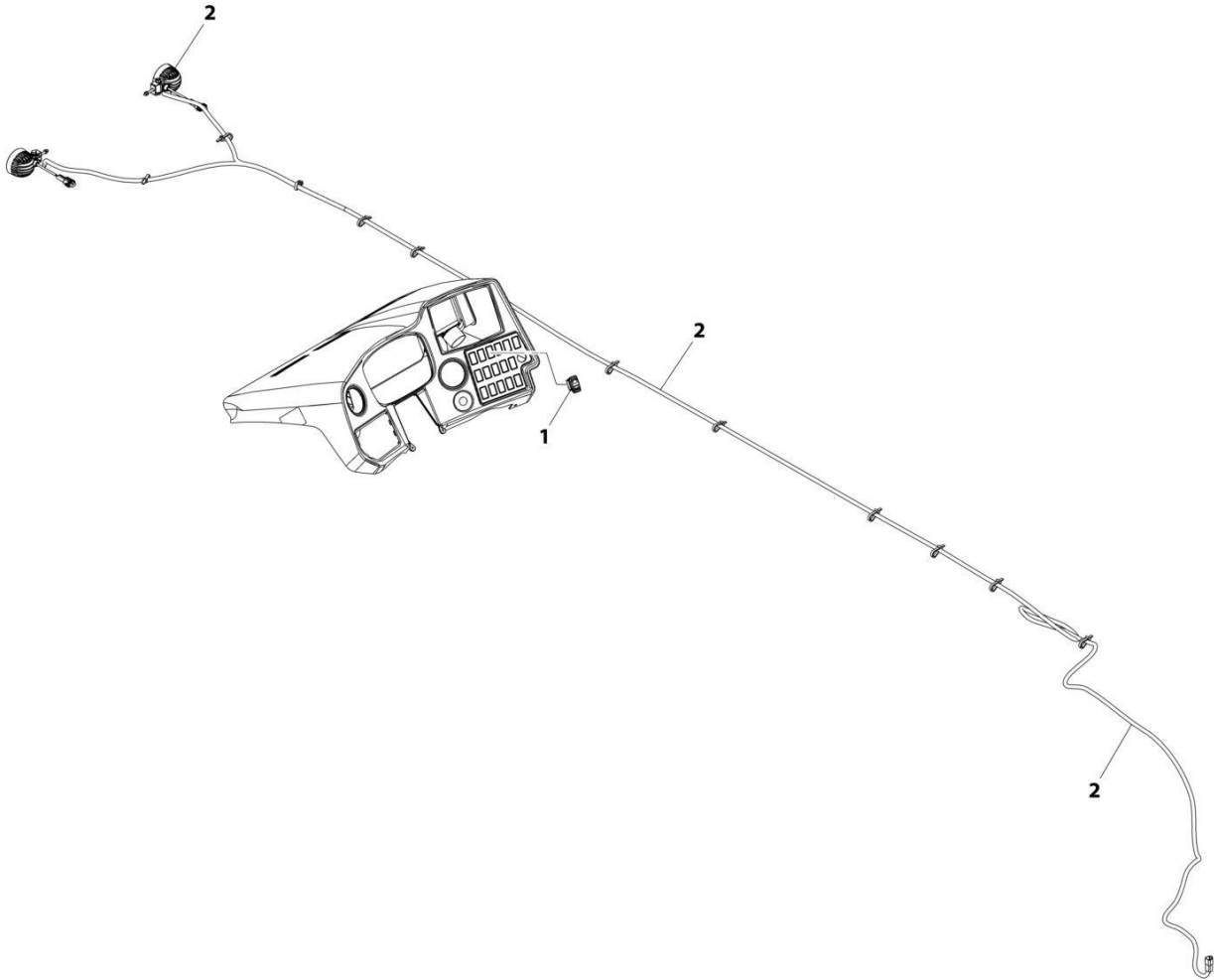
## SECTION 10 - ELECTRICAL

### FIGURE 10-74. LIGHTS - TAILLIGHTS HARNESS

ITEM	PART NUMBER	QTY	DESCRIPTION	REV
	1001165594	Ref	Tail Lights Harness	E
1	4460970	1	Connector	
2	80363179	1	Connector Lock	
3	4460941	10	Terminal	
4	4460466	2	Plug	
5	1001116996	1	Connector	
6	7028639	1	Cap	
7	1001118392	5	Terminal	
8	828905	5	Terminal Seal	
9	1001116696	2	Plug	
10	1001116996	1	Connector	
11	7028639	1	Cap	
12	1001118392	5	Terminal	
13	828905	5	Terminal Seal	
14	1001116696	2	Plug	

# SECTION 10 - ELECTRICAL

## FIGURE 10-75. LIGHTS - WORKLIGHTS & SWITCH INSTALLATION (BOOM MOUNTED)



ART\_1001230599-A

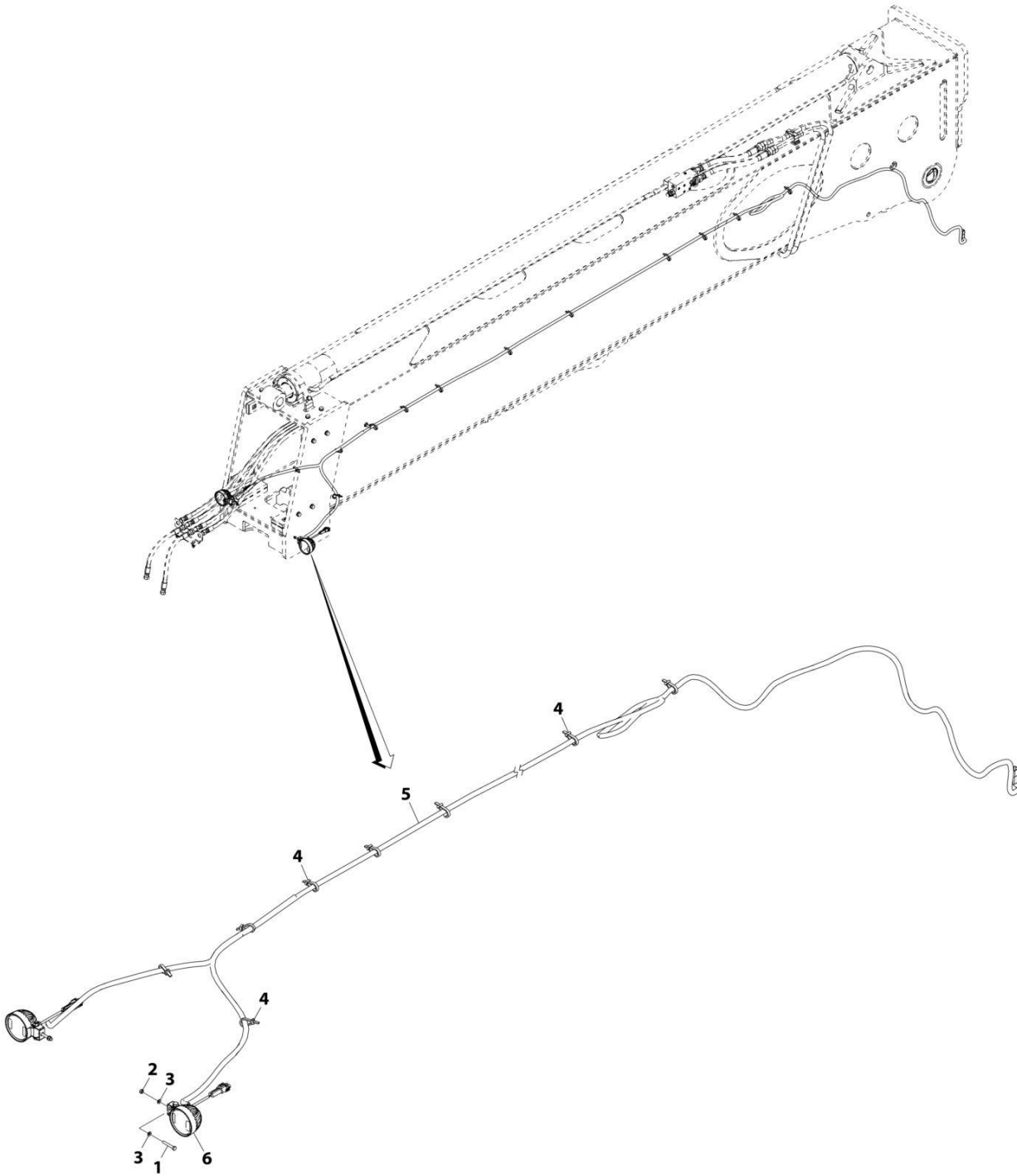
## SECTION 10 - ELECTRICAL

**FIGURE 10-75. LIGHTS - WORKLIGHTS & SWITCH INSTALLATION (BOOM MOUNTED)**

ITEM	PART NUMBER	QTY	DESCRIPTION	REV
	1001230599	Ref	Boom Work Lights Installation	A
1	1001159739	1	Switch, Boom Work Lights	
2	1001230623	1	Installation, Boom LED Work Lights (See Separate Breakdown in this Section)	

# SECTION 10 - ELECTRICAL

FIGURE 10-76. LIGHTS - WORKLIGHTS INSTALLATION (BOOM MOUNTED)



ART\_1001230623-A



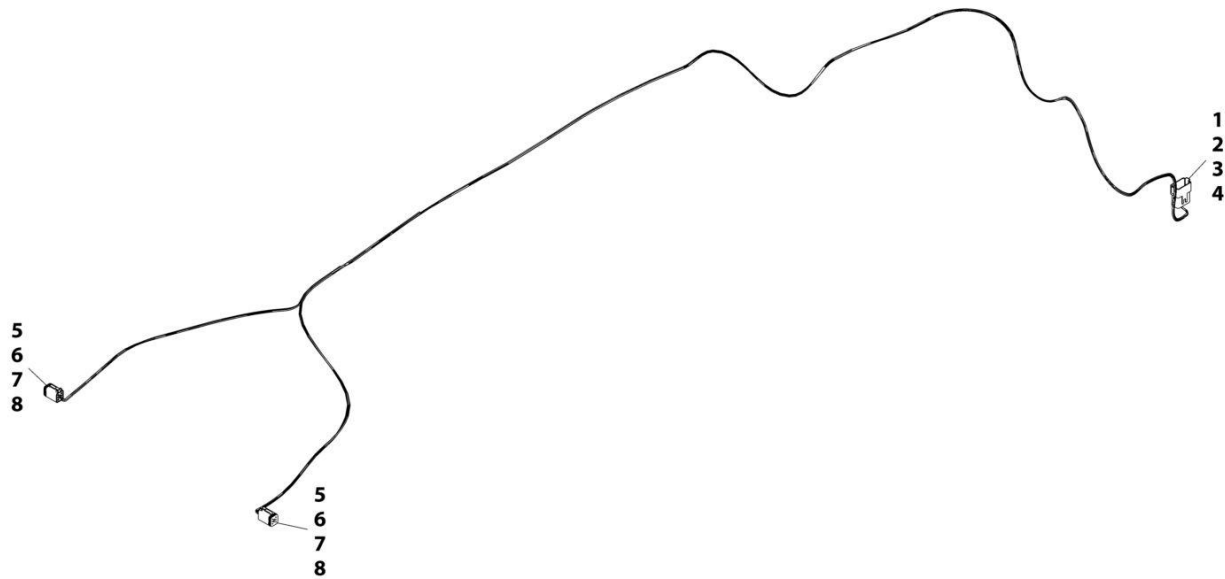
## SECTION 10 - ELECTRICAL

**FIGURE 10-76. LIGHTS - WORKLIGHTS INSTALLATION (BOOM MOUNTED)**

ITEM	PART NUMBER	QTY	DESCRIPTION	REV
	1001230623	Ref	Boom LED Lights Installation	A
1	0700616	2	Bolt, M6X40	
2	3290601	2	Nut, M6X1	
3	4811700	4	Washer, M6	
4	1001008923	AR	Strap, Cable	
5	1001167608	1	Harness, Boom Worklights (See Separate Breakdown in this Section)	
6	1001203640	2	Lamp, LED Work light	

# SECTION 10 - ELECTRICAL

## FIGURE 10-77. LIGHTS - WORKLIGHTS HARNESS (BOOM MOUNTED)



ART\_1001167608-E

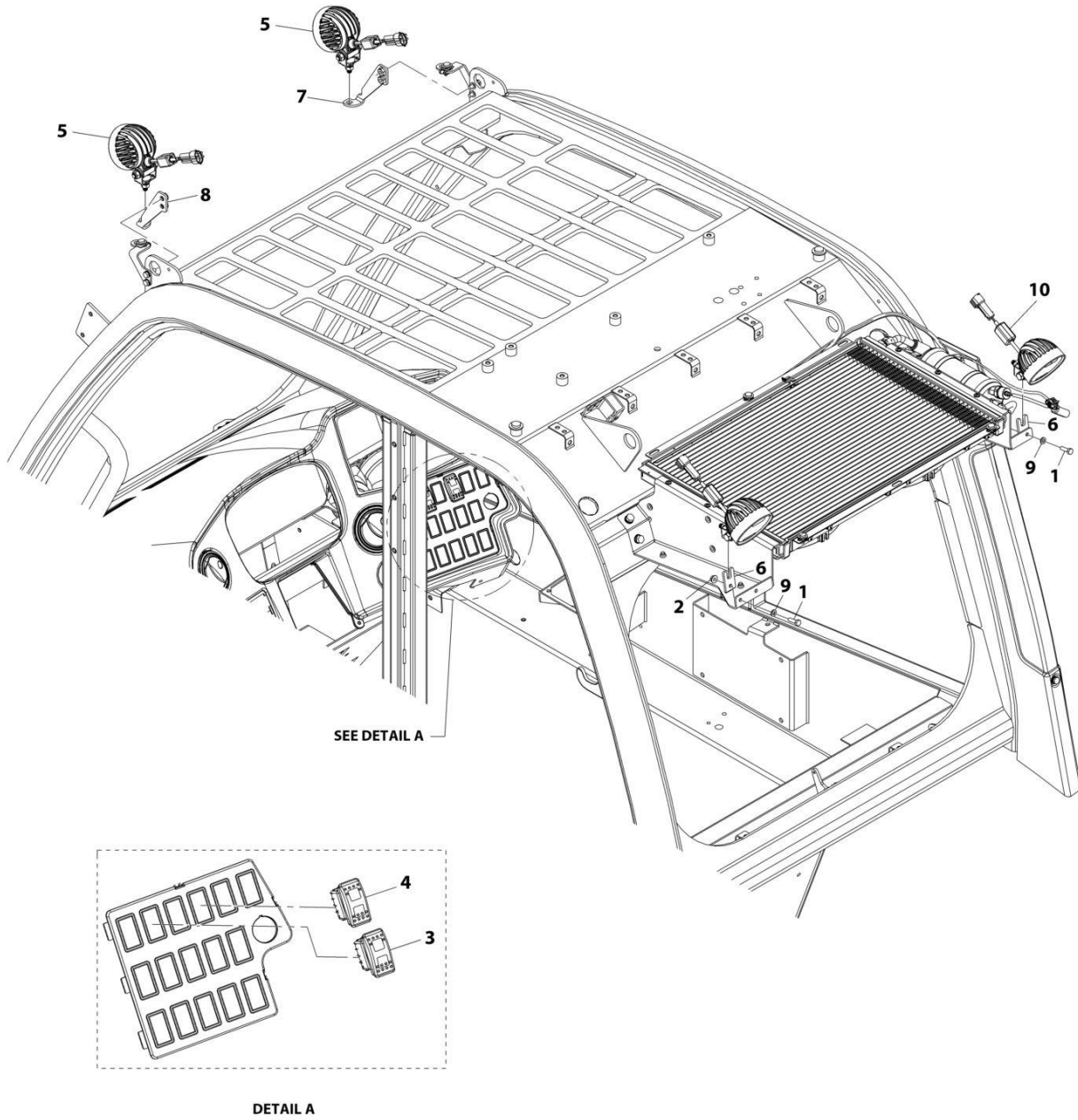
## SECTION 10 - ELECTRICAL

### FIGURE 10-77. LIGHTS - WORKLIGHTS HARNESS (BOOM MOUNTED)

ITEM	PART NUMBER	QTY	DESCRIPTION	REV
	1001167608	Ref	Boom Worklights Harness	E
1	4460932	1	Connector	
2	80604020	1	Lock, Connector	
3	4460464	2	Terminal	
4	4460466	2	Plug	
5	4461115	2	Connector	
6	1001103564	2	Lock, Terminal	
7	1001116728	2	Terminal	
8	4460458	2	Seal	

# SECTION 10 - ELECTRICAL

## FIGURE 10-78. LIGHTS - WORKLIGHTS INSTALLATION (CAB MOUNTED) (WITH A/C)



ART\_1001200539-D

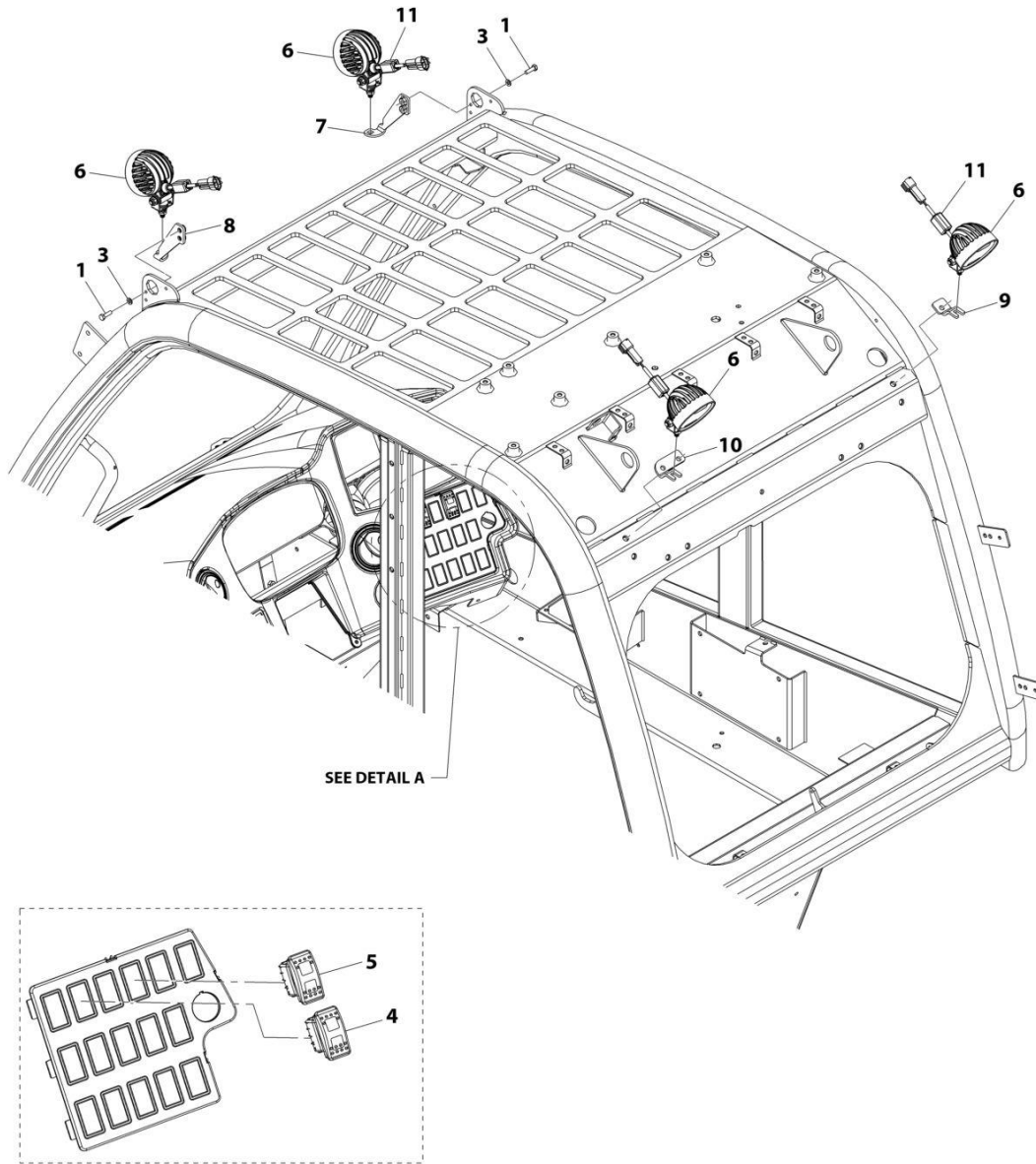
## SECTION 10 - ELECTRICAL

**FIGURE 10-78. LIGHTS - WORKLIGHTS INSTALLATION (CAB MOUNTED) (WITH A/C)**

ITEM	PART NUMBER	QTY	DESCRIPTION	REV
	1001200539	Ref	Cab Worklights Installation (A/C - LED)	D
1	0700610	2	Bolt, M6X20	
2	5220600	2	Nut, M6	
3	1001159845	1	Switch, Front Worklights	
4	1001159846	1	Switch, Rear Worklights	
5	1001203640	4	Lamp, LED Work Light	
6	1001204060	2	Bracket	
7	1001244193	1	Support, LED Work Light RH	
8	1001244192	1	Support, LED Work Light LH	
9	4811700	2	Washer, M6	
10	1001228989	4	Harness, Ferrite	

# SECTION 10 - ELECTRICAL

## FIGURE 10-79. LIGHTS - WORKLIGHTS INSTALLATION (CAB MOUNTED) (WITHOUT A/C)



ART\_1001200538-D

## SECTION 10 - ELECTRICAL

**FIGURE 10-79. LIGHTS - WORKLIGHTS INSTALLATION (CAB MOUNTED) (WITHOUT A/C)**

ITEM	PART NUMBER	QTY	DESCRIPTION	REV
	1001200538	Ref	Cab Worklights Installation (No A/C - LED)	D
1	0700610	4	Bolt, M6X20	
3	4811700	4	Washer, M6	
4	1001159845	1	Switch, Front Worklights	
5	1001159846	1	Switch, Rear Worklights	
6	1001203640	4	Lamp, LED Work Light	
7	1001244193	1	Support, LED Work Light RH	
8	1001244192	1	Support, LED Work Light LH	
9	1001204528	1	Support, LED Work Light RH	
10	1001204530	1	Support, LED Work Light LH	
11	1001228989	4	Harness, Ferrite	

# SECTION 10 - ELECTRICAL

## FIGURE 10-80. LSI HARNESS - BOOM RETRACT



ART\_1001259062-A



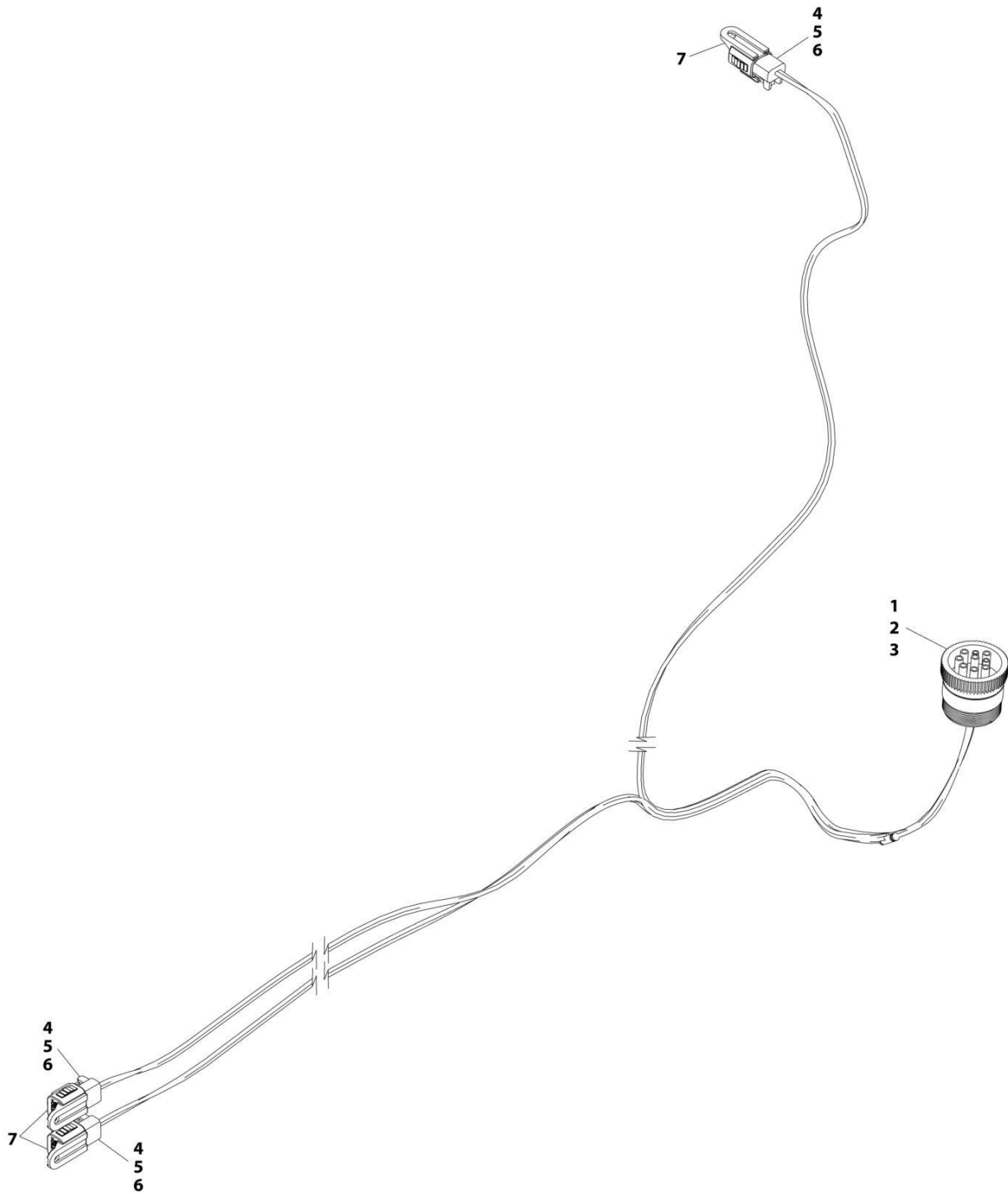
# SECTION 10 - ELECTRICAL

## FIGURE 10-80. LSI HARNESS - BOOM RETRACT

ITEM	PART NUMBER	QTY	DESCRIPTION	REV
	1001259062	Ref	Boom Retract Harness	A
1	4461262	1	Connector	
2	1001107854	3	Terminal	
3	1001104498	3	Seal	
4	4460932	1	Connector	
5	4460464	3	Terminal	
6	4460466	1	Plug	

# SECTION 10 - ELECTRICAL

## FIGURE 10-81. PLATFORM HARNESS



ART\_1001167695-C

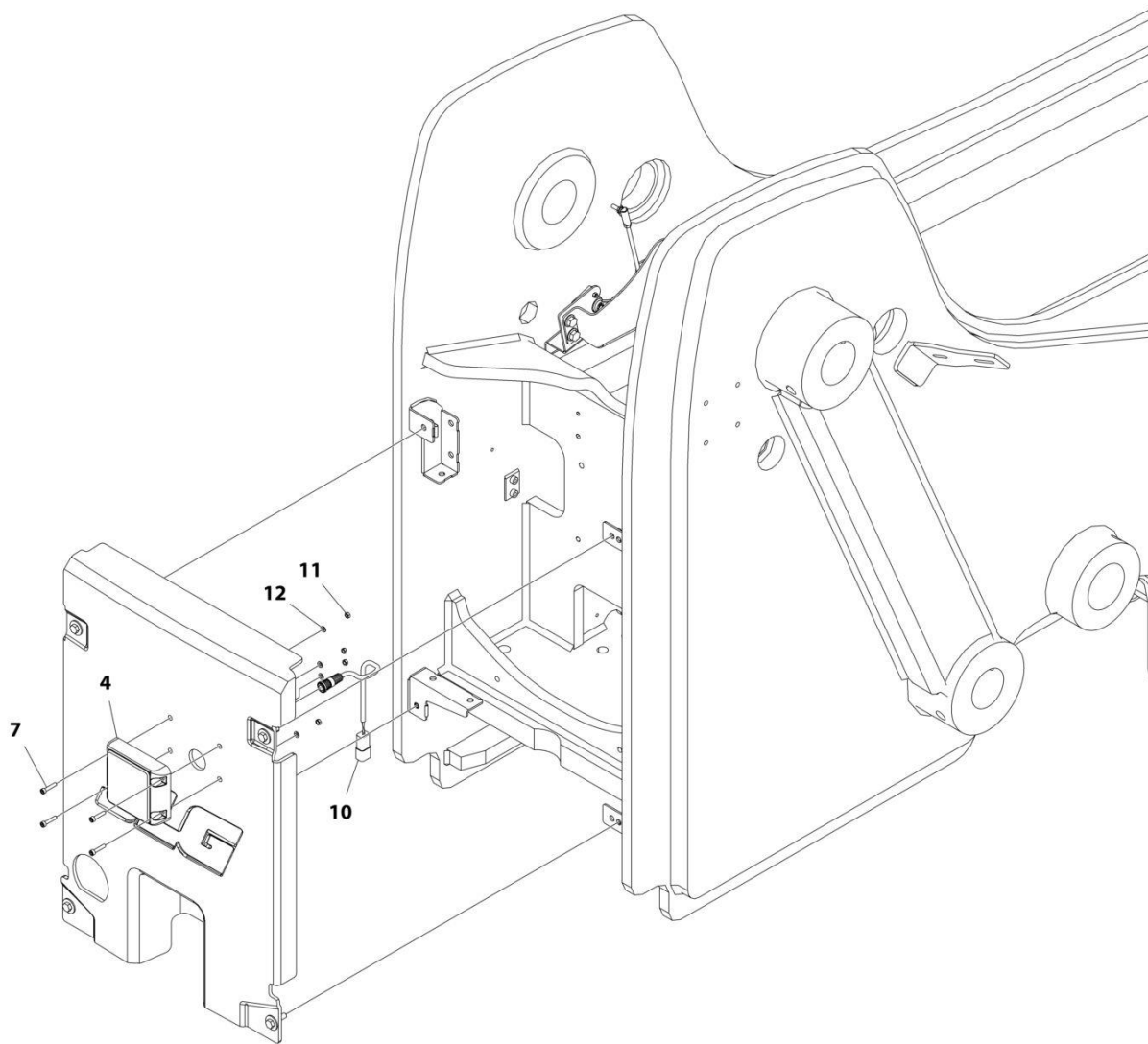
# SECTION 10 - ELECTRICAL

## FIGURE 10-81. PLATFORM HARNESS

ITEM	PART NUMBER	QTY	DESCRIPTION	REV
	1001167695	Ref	Platform Harness	C
1	1001112796	1	Connector	
2	4460466	5	Terminal	
3	4460465	4	Terminal	
4	4460891	3	Connector, (includes rear seal)	
5	80604018	2	Lock, Connector	
6	4460465	2	Terminal	
7	1001155806	3	Cap, Dust	

# SECTION 10 - ELECTRICAL

## FIGURE 10-82. REVERSE SENSOR INSTALLATION



ART\_1001172536\_I

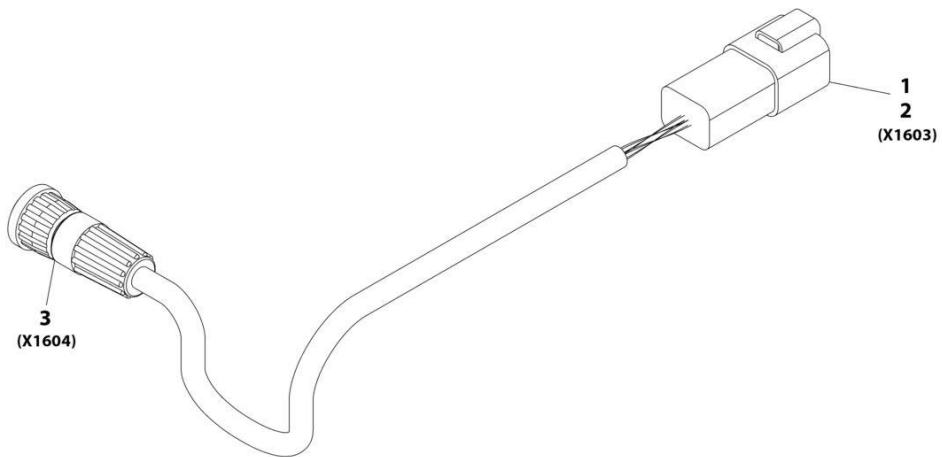
## SECTION 10 - ELECTRICAL

### FIGURE 10-82. REVERSE SENSOR INSTALLATION

ITEM	PART NUMBER	QTY	DESCRIPTION	REV
	1001172536	Ref	Reverse Sensor Installation	I
4	1001247421	1	Sensor, Reverse	
7	5271609	4	Screw, M5X25	
10	1001175776	1	Harness, Reverse Sensor (See Separate Breakdown in this Section)	
11	3290501	4	Nut, M5X0.8	
12	4811600	4	Washer, M5	

# SECTION 10 - ELECTRICAL

## FIGURE 10-83. REVERSE SENSOR HARNESS



ART\_1001175776-C

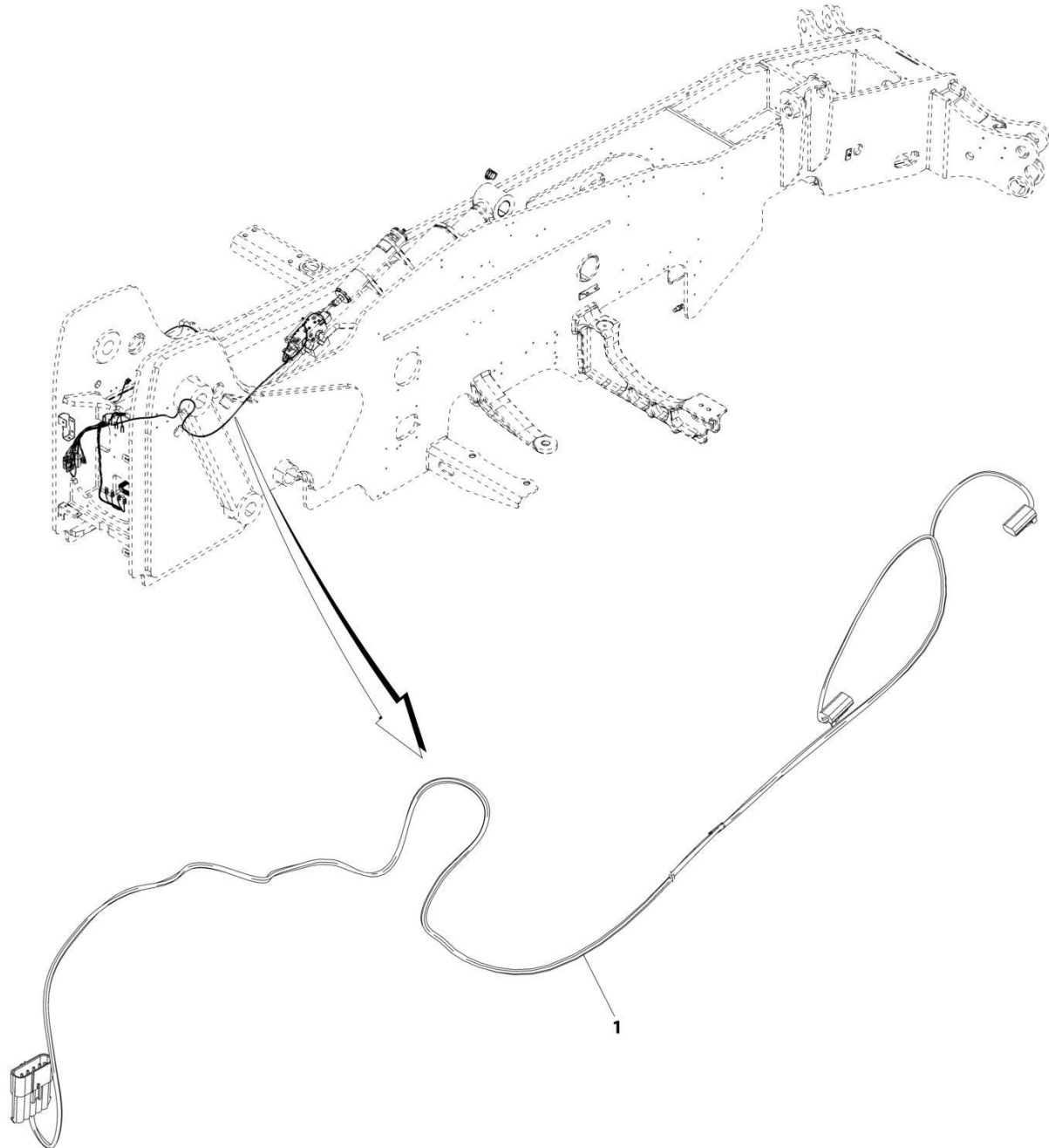
# SECTION 10 - ELECTRICAL

## FIGURE 10-83. REVERSE SENSOR HARNESS

ITEM	PART NUMBER	QTY	DESCRIPTION	REV
	1001175776	Ref	Reverse Sensor Harness	C
1	4460932	1	Connector	
2	4460464	4	Terminal	
3	1001175733	1	Connector	

# SECTION 10 - ELECTRICAL

## FIGURE 10-84. RIDE CONTROL HARNESS INSTALLATION



ART\_1001169613-B



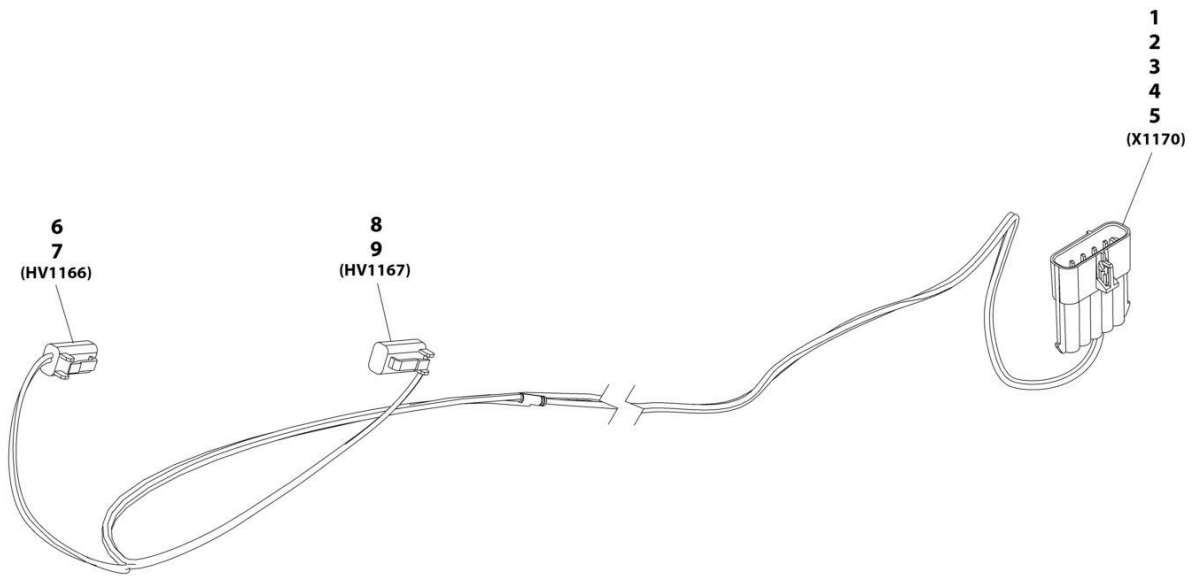
**SECTION 10 - ELECTRICAL**

**FIGURE 10-84. RIDE CONTROL HARNESS INSTALLATION**

ITEM	PART NUMBER	QTY	DESCRIPTION	REV
1	1001169613 1001167694	Ref 1	Ride Control Installation Boom Ride Float Harness (See Separate Breakdown in this Section)	B

# SECTION 10 - ELECTRICAL

## FIGURE 10-85. RIDE CONTROL BOOM FLAT HARNESS



ART\_1001167694-D

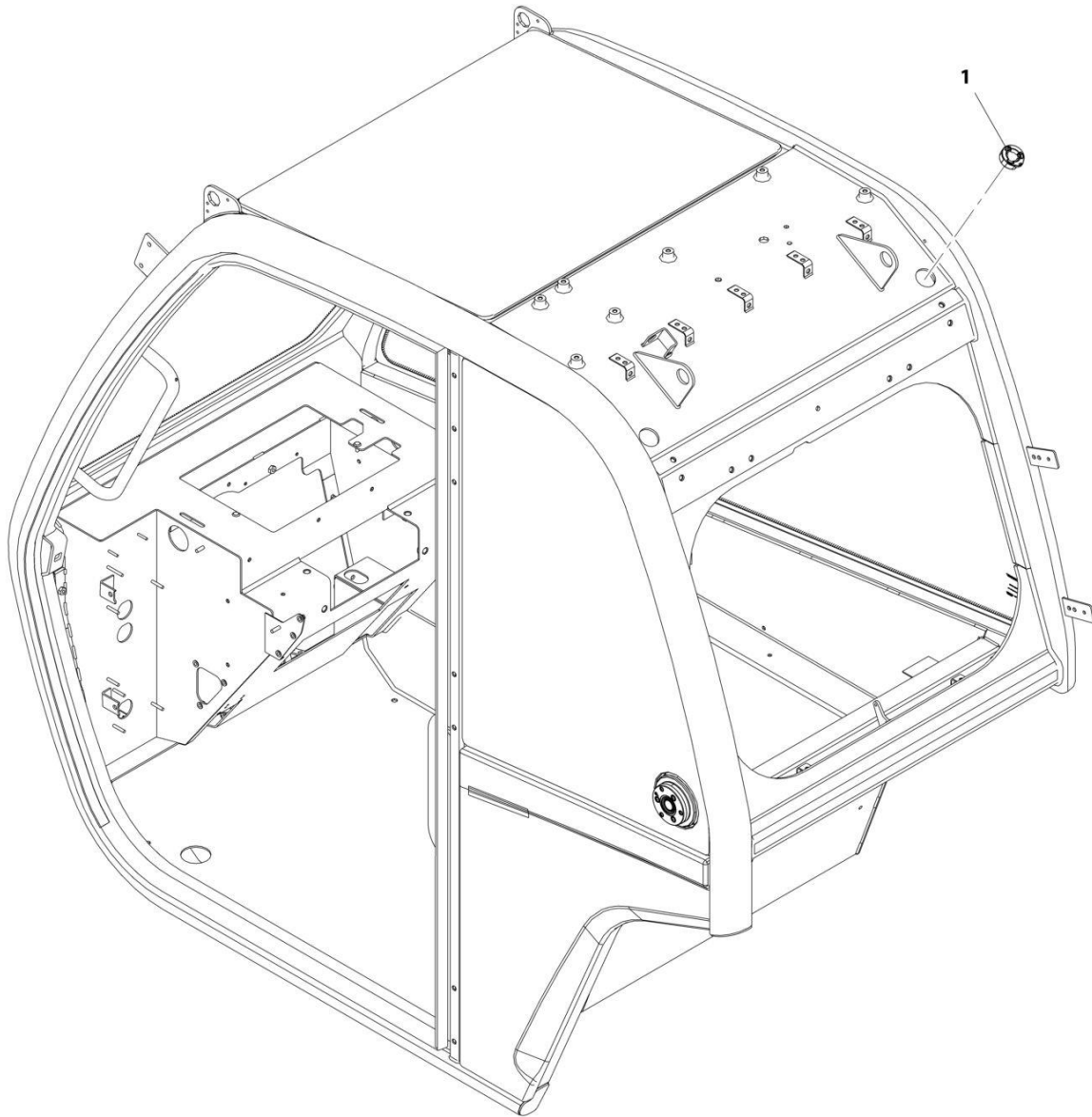
# SECTION 10 - ELECTRICAL

## FIGURE 10-85. RIDE CONTROL BOOM FLAT HARNESS

ITEM	PART NUMBER	QTY	DESCRIPTION	REV
	1001167694	Ref	Boom Ride Float Harness	D
1	1001121727	1	Connector	
2	1001116727	2	Plug	
3	1001116745	2	Terminal	
4	1001116729	1	Terminal	
5	4460458	3	Seal	
6	4460891	1	Connector	
7	4460465	2	Terminal	
8	4460891	1	Connector	
9	4460465	2	Terminal	

# SECTION 10 - ELECTRICAL

## FIGURE 10-86. ROOF PIGTAIL HARNESS INSTALLATION



ART\_1001202138-A

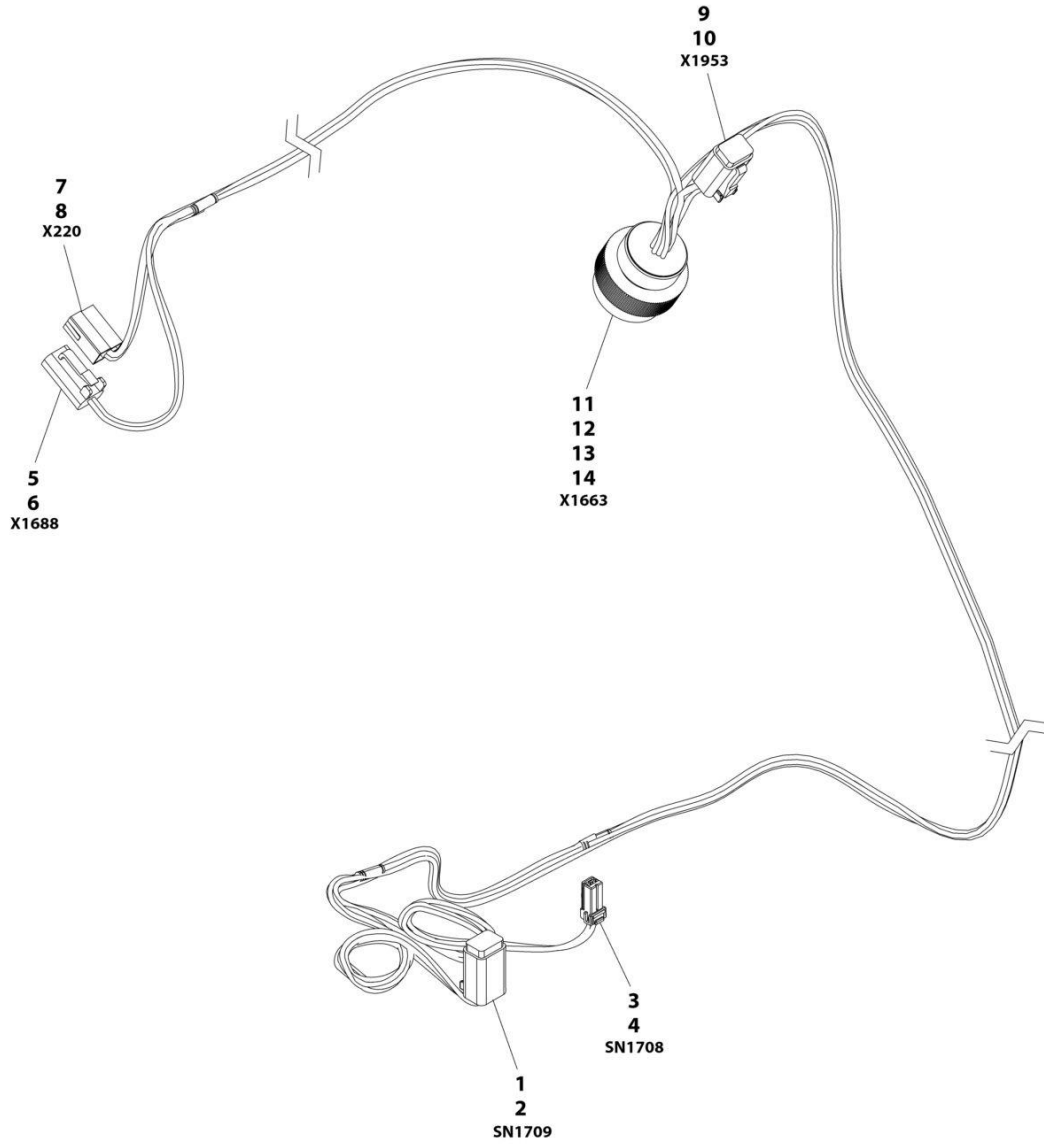
# SECTION 10 - ELECTRICAL

## FIGURE 10-86. ROOF PIGTAIL HARNESS INSTALLATION

ITEM	PART NUMBER	QTY	DESCRIPTION	REV
1	1001202138	Ref	Roof Pigtail Cap Installation	A
	1001202134	1	Cap, Deutsch Dust	

# SECTION 10 - ELECTRICAL

## FIGURE 10-87. ROOF PIGTAIL HARNESS



ART\_1001265200

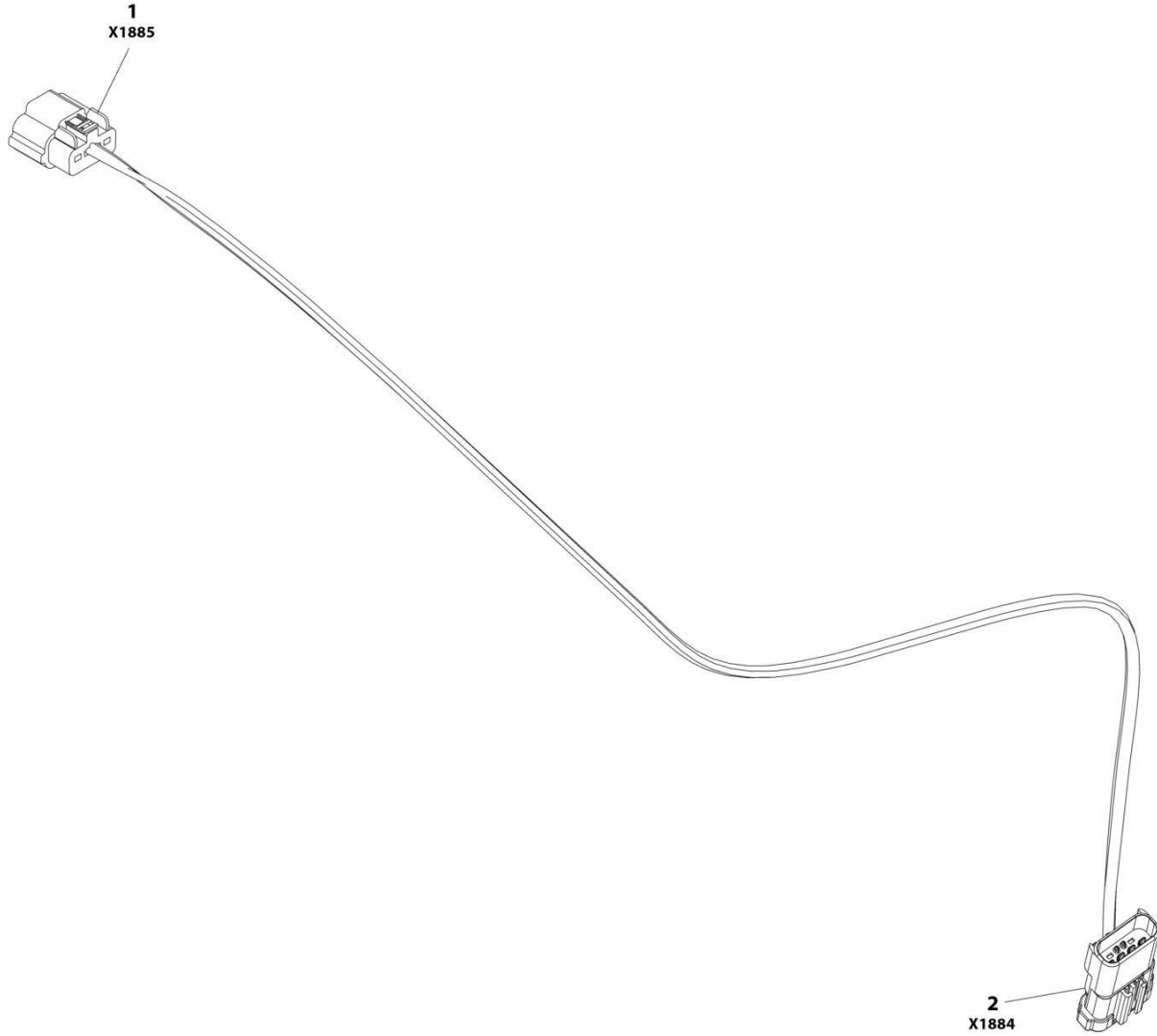
# SECTION 10 - ELECTRICAL

## FIGURE 10-87. ROOF PIGTAIL HARNESS

ITEM	PART NUMBER	QTY	DESCRIPTION	REV
	1001265200	Ref	Roof Pigtail Harness	A
1	4460884	1	Connector	
2	4460465	4	Terminal	
3	1001264844	1	Connector	
4	1001264861	2	Terminal	
5	4460891	1	Connector	
6	4460465	2	Terminal	
7	4460994	1	Connector	
8	1001118384	2	Terminal	
9	4460884	1	Connector	
10	4460942	4	Terminal	
11	4461015	1	Connector	
12	4460942	6	Terminal	
13	4460465	5	Terminal	
14	4460466	3	Plug	

# SECTION 10 - ELECTRICAL

## FIGURE 10-88. TBAP HARNESS



ART\_1001184835



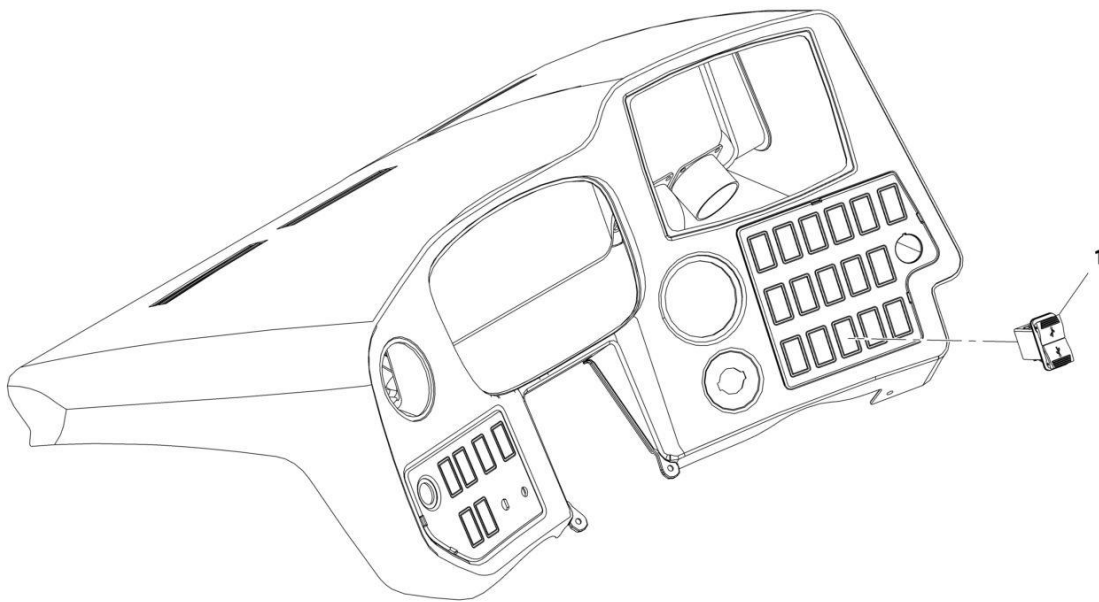
# SECTION 10 - ELECTRICAL

## FIGURE 10-88. TBAP HARNESS

ITEM	PART NUMBER	QTY	DESCRIPTION	REV
1	1001184835	Ref	TBAP Harness	C
	10011184495	1	Connector	
	1001260509	4	Terminal	
	1001184496	4	Seal	
2	1001184491	1	Connector	
	1001184493	4	Terminal	

# SECTION 10 - ELECTRICAL

## FIGURE 10-89. USB CHARGER INSTALLATION



ART\_1001200152-A

**SECTION 10 - ELECTRICAL**

**FIGURE 10-89. USB CHARGER INSTALLATION**

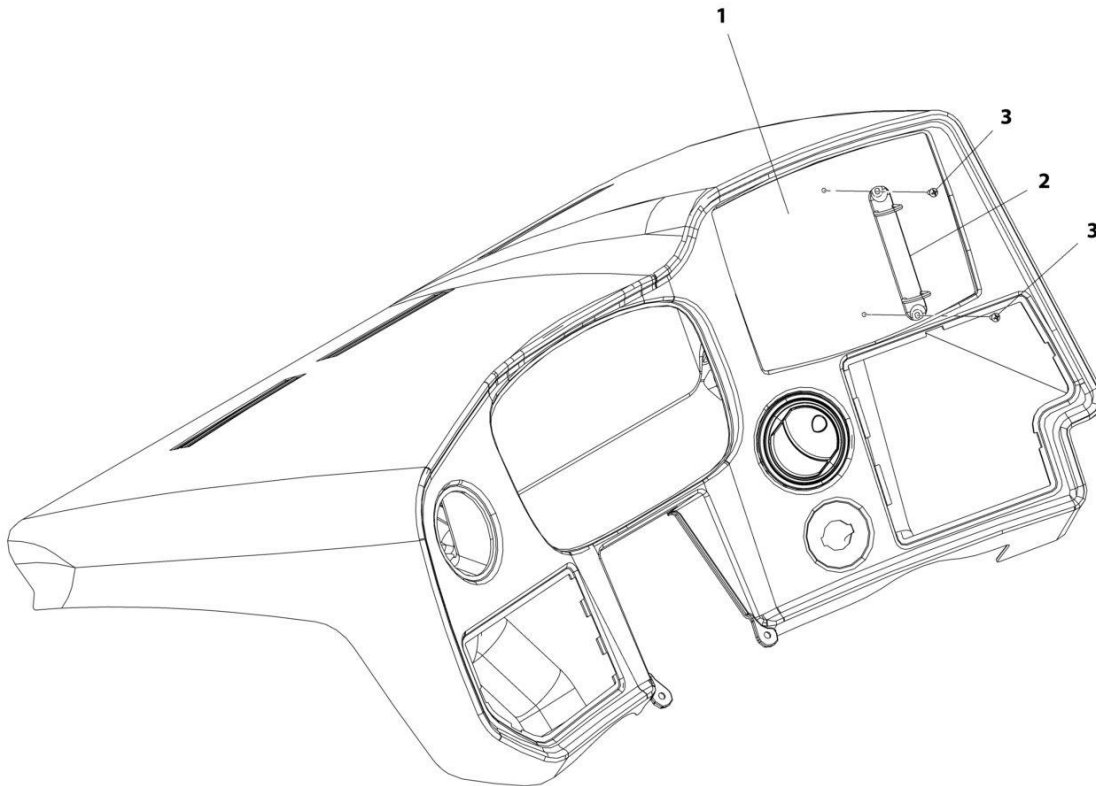
ITEM	PART NUMBER	QTY	DESCRIPTION	REV
1	1001200152	Ref	USB Charger Installation	A
	1001174712	1	USB Charger Assembly	



**SECTION 11 - DECALS**

# SECTION 11 - DECALS

## FIGURE 11-1. CAPACITY CHART HOLDER INSTALLATION



ART\_1001178706-A

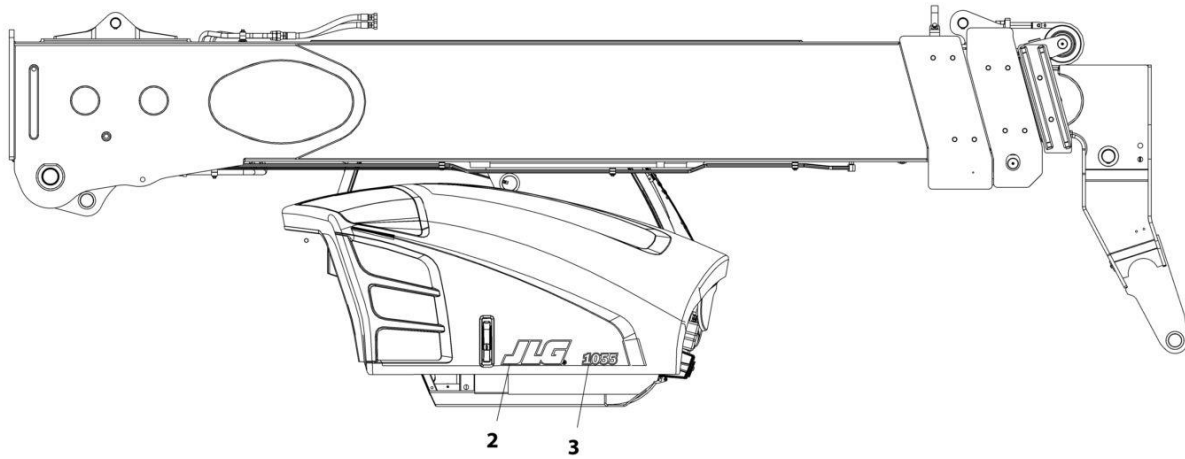
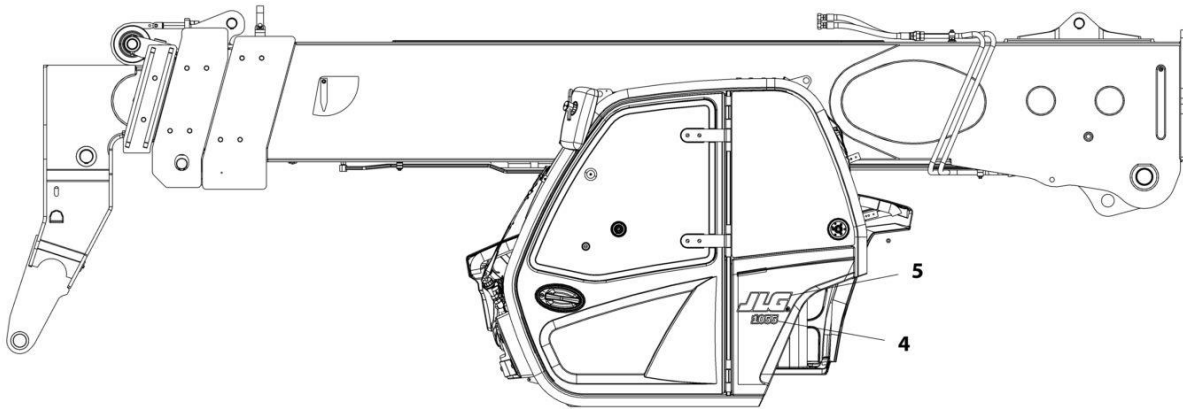
**SECTION 11 - DECALS**

**FIGURE 11-1. CAPACITY CHART HOLDER INSTALLATION**

ITEM	PART NUMBER	QTY	DESCRIPTION	REV
	1001178706	Ref	Capacity Chart Holder Installation	A
1	1001179297	1	Load Chart, Bezel	
2	1001005960	1	Holder	
3	7029486	2	Screw	

# SECTION 11 - DECALS

## FIGURE 11-2. DECAL INSTALLATION - 1055



ART\_1001160626-D



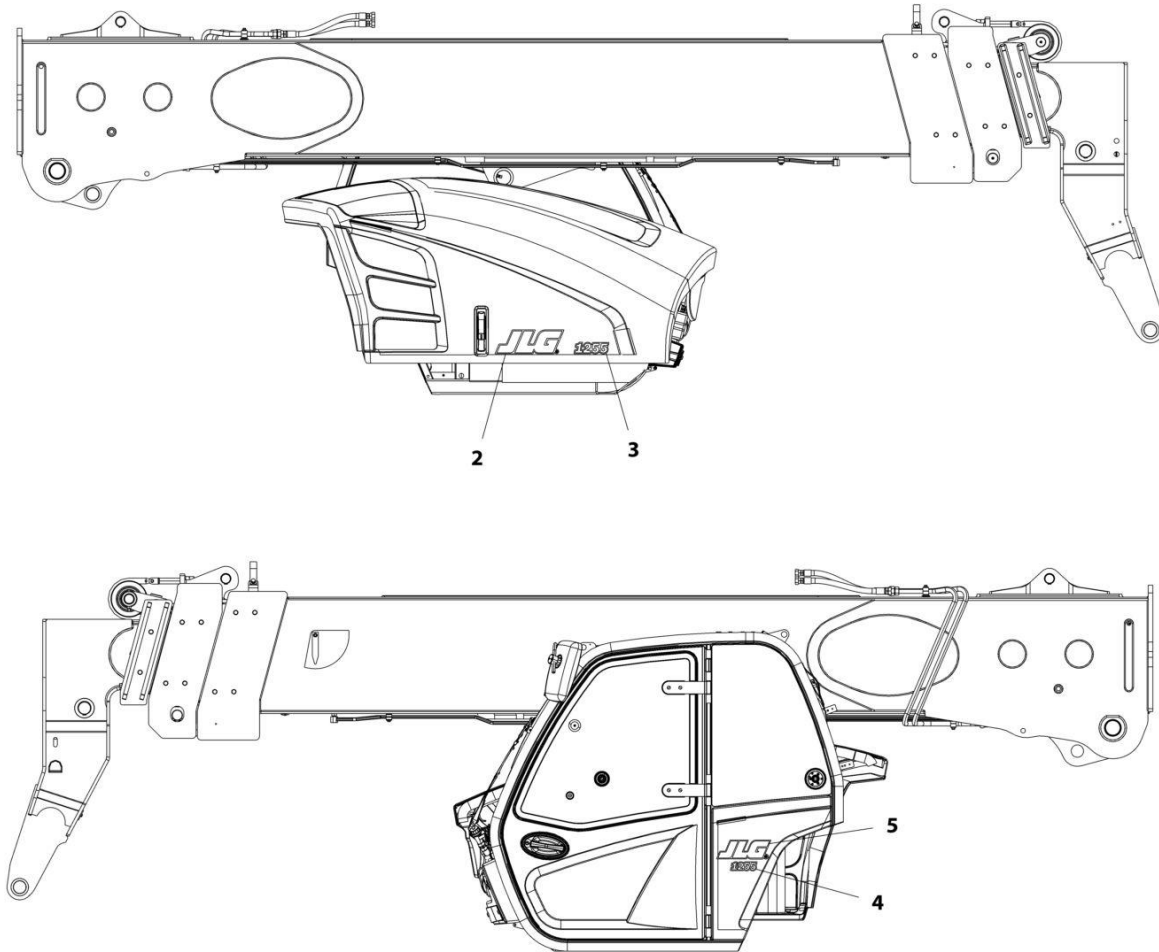
**SECTION 11 - DECALS**

**FIGURE 11-2. DECAL INSTALLATION - 1055**

ITEM	PART NUMBER	QTY	DESCRIPTION	REV
	1001160626	Ref	Decal Installation - 1055	D
2	1001160775	1	Decal, JLG 5 Black	
3	1001169654	1	Decal, JLG 1055 Hood	
4	1001169671	1	Decal, JLG 1055 Cab	
5	1001169674	1	Decal, JLG M100X285	

# SECTION 11 - DECALS

## FIGURE 11-3. DECAL INSTALLATION - 1255



ART\_1001160625-D

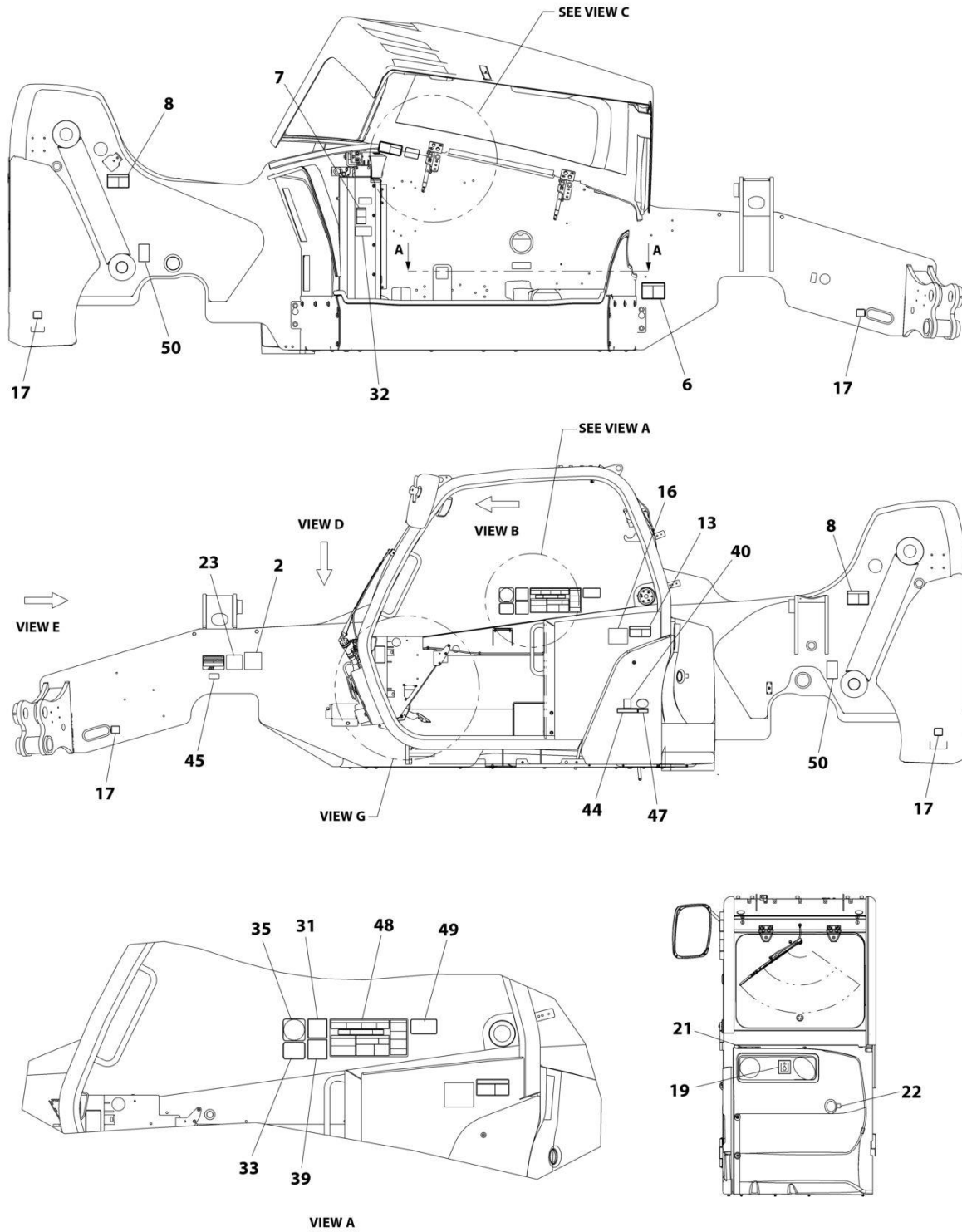
**SECTION 11 - DECALS**

**FIGURE 11-3. DECAL INSTALLATION - 1255**

ITEM	PART NUMBER	QTY	DESCRIPTION	REV
	1001160625	Ref	Decal Installation - 1255	D
2	1001160775	1	Decal, JLG 5 Black	
3	1001169624	1	Decal, JLG 1255 Hood	
4	1001169670	1	Decal, JLG 1255 Cab	
5	1001169674	1	Decal, JLG M100X285	

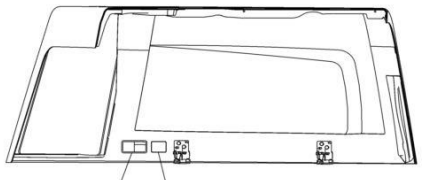
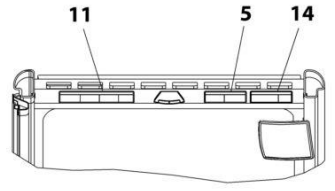
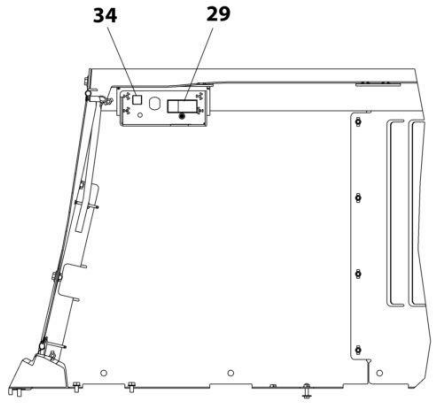
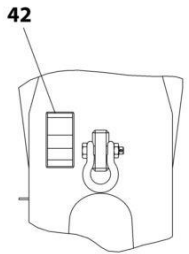
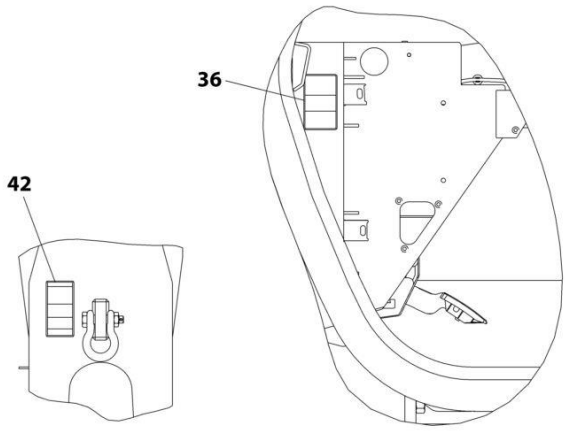
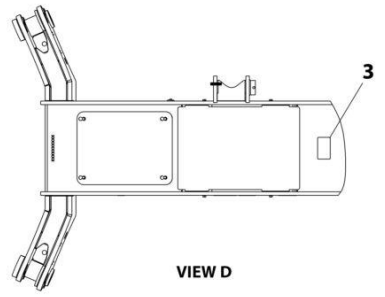
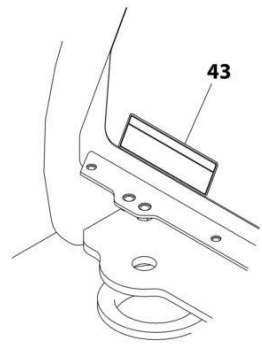
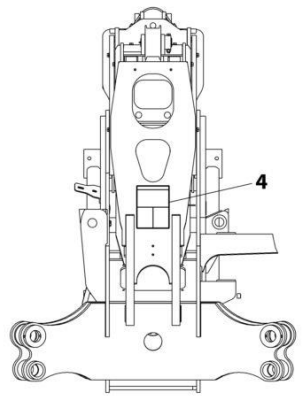
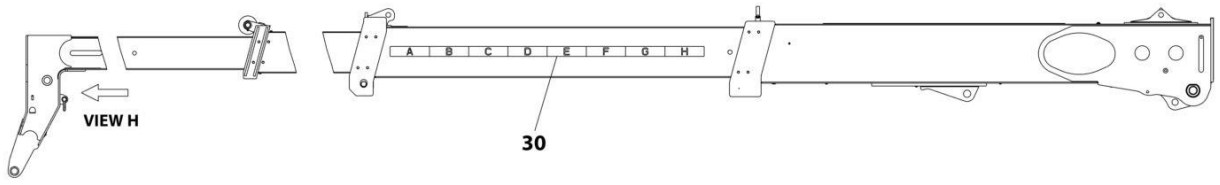
# SECTION 11 - DECALS

## FIGURE 11-4. DECAL INSTALLATION (ANSI)



ART\_1001160673\_1-P

**SECTION 11 - DECALS**



ART\_1001160673\_2-P

# SECTION 11 - DECALS

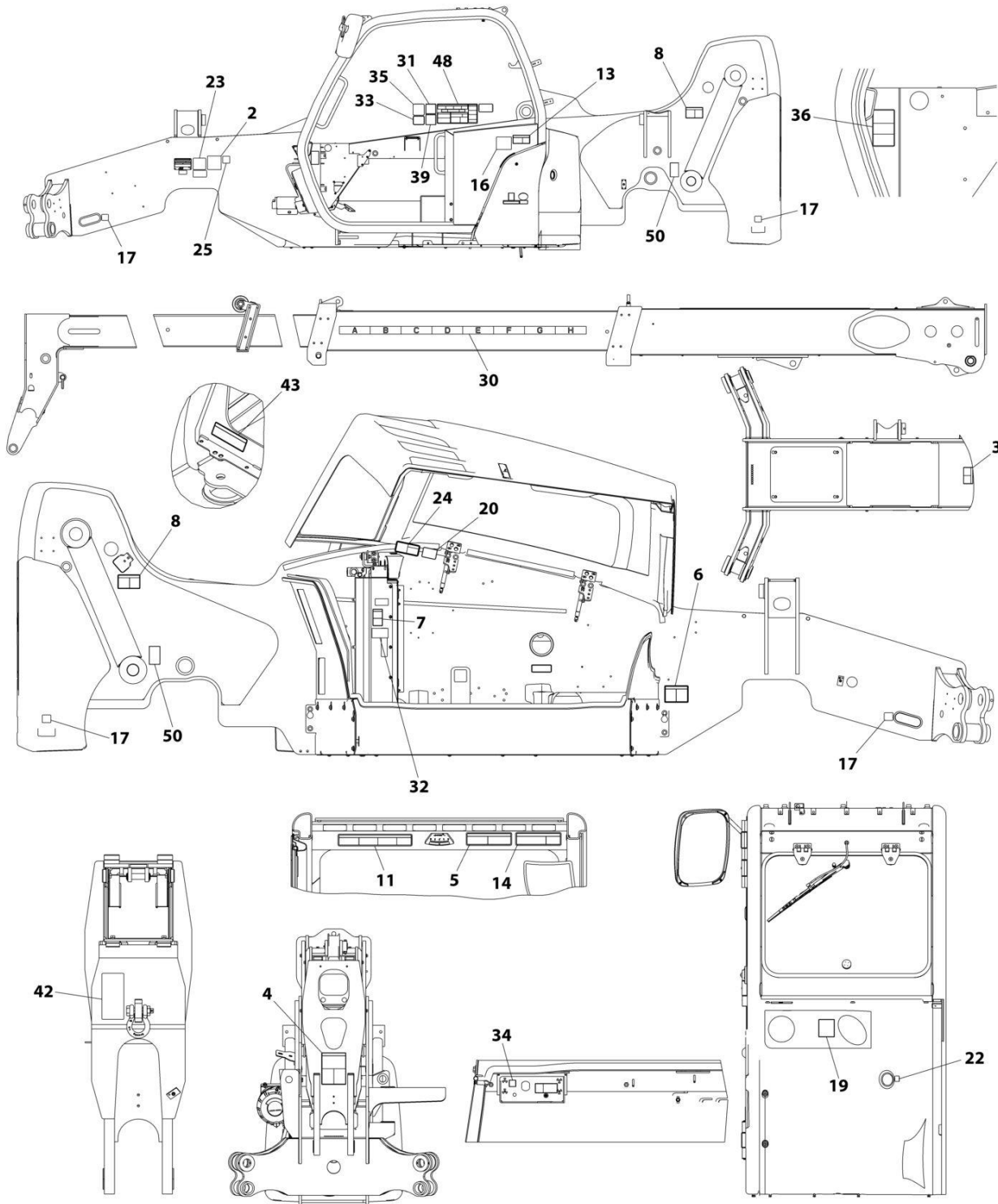
**FIGURE 11-4. DECAL INSTALLATION (ANSI)**

ITEM	PART NUMBER	QTY	DESCRIPTION	REV
	1001160673	Ref	Decal Installation (ANSI)	P
2	1702631	1	Decal, Bar Code	
3	1706296	1	Decal, Battery Warning	
4	1001195849	1	Decal, Carry Personnel	
5	1706299	1	Decal, Contacting Power Lines Warning	
6	1706300	1	Decal, Ether Warning	
7	1706301	1	Decal, Keep Clear Of Rotating Parts Warning	
8	1706302	2	Decal, Pinch Point Boom Holes	
11	1706306	1	Decal, Tip Over Warning	
13	1706768	1	Decal, Vehicle Roll Away	
14	1706850	1	Decal, Crush Hazard Warning	
16	3251813	1	Decal, USA	
17	4109801	4	Decal, Tie Down Point	
19	1001094708	1	Decal, Hydraulic Oil	
20	1001109053	1	Decal, Coolant Fill	
21	1001218704	1	Decal, Ultra Low Sulfur Diesel	
22	1001130323	1	Decal, Oil Level	
23	1001131271	1	Decal, Patent	
24	1001139578	1	Decal, Hot Fluid Warning	
29	1001195855	1	Decal, Battery Disconnect	
30	1001171277	1	Decal, Boom Extend	
31	1001172035	1	Decal, No Weld or Drill	
32	1001172037	1	Decal, 130HP	
33	1001181537	1	Decal, Outrigger Switches	
34	1001184632	1	Decal, Battery Positive	
35	1001188372	1	Decal, Sway	
36	1001191229	1	Decal, Fuse Panel	
39	1001200101	1	Decal, Manual	
40	1001196806	1	Decal, Diesel Exhaust Fluid	
42	1001207217	1	Decal, Danger Swinging Load	
43	1001218659	1	Decal, Brake Fluid Spec	
44	1001219212	1	Decal, Def Fluid	
45	1001223453	1	Decal, Ices (CAN)	
47	1001230310	1	Decal, JLG DEF Tank Service	
48	1707078	1	Decal, Warning/Danger Cab	
49	1001231801	1	Decal, Warning Prop 65	
50	1001222650	2	Decal, Axle Lift	



# SECTION 11 - DECALS

## FIGURE 11-5. DECAL INSTALLATION (ISO)



ART\_1001160647-P



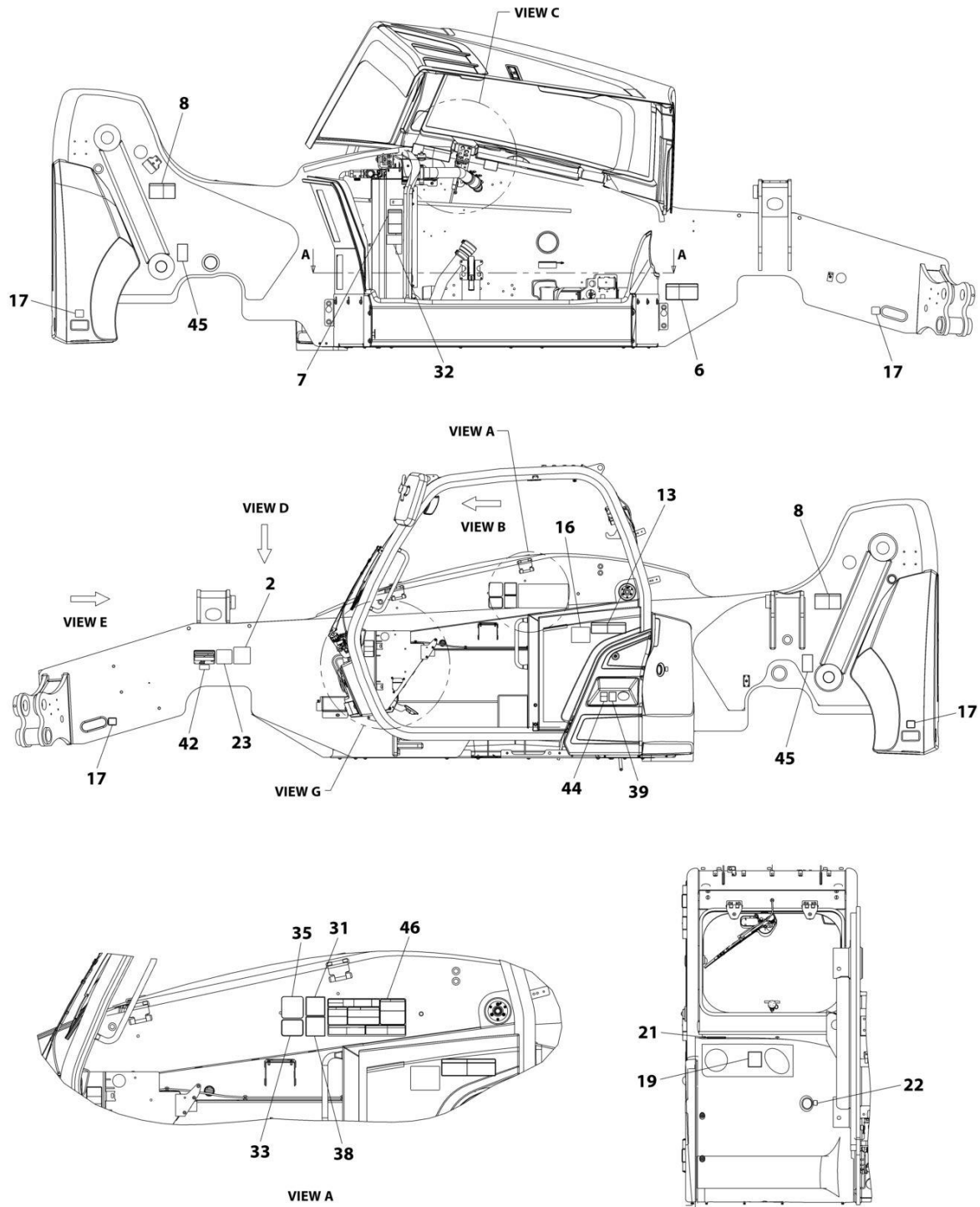
## SECTION 11 - DECALS

**FIGURE 11-5. DECAL INSTALLATION (ISO)**

ITEM	PART NUMBER	QTY	DESCRIPTION	REV
	1001160647	Ref	Decal Installation (ISO)	P
2	1702631	1	Decal, Bar Code	
3	1706281	1	Decal, Battery Warning	
4	1706282	1	Decal, Carry Personnel	
5	1706284	1	Decal, Contacting Power Lines Warning	
6	1706098	1	Decal, Ether Warning	
7	1706285	1	Decal, Moving Parts	
8	1706292	2	Decal, Pinch Point Boom Holes	
11	1706288	1	Decal, Tip Over Warning	
13	1001092878	1	Decal, No Riders	
14	1001092877	1	Decal, Crush Hazard Warning	
16	3251813	1	Decal, USA	
17	4109801	4	Decal, Tie Down Point	
19	1001094708	1	Decal, Hydraulic Oil	
20	1001109053	1	Decal, Coolant Fill	
22	1001130323	1	Decal, Oil Level	
23	1001131271	1	Decal, Patent	
24	1001139942	1	Decal, Hot Fluid Warning	
25	1001143852	1	Decal, LRC EPA	
30	1001171277	1	Decal, Boom Extend	
31	1001172035	1	Decal, No Weld or Drill	
32	1001172037	1	Decal, 130HP	
33	1001181537	1	Decal, Outrigger Switches	
34	1001184632	1	Decal, Battery Positive	
35	1001188372	1	Decal, Sway	
36	1001191229	1	Decal, Fuse Panel	
39	1001200101	1	Decal, Manual	
42	1001207218	1	Decal, Danger Swinging Load	
43	1001219211	1	Decal, Brake Fluid Spec (not shown)	
48	1001101895	1	Decal, Warning	
50	1001222650	2	Decal, Axle Lift	

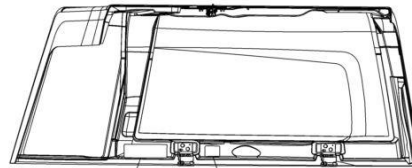
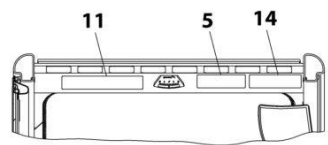
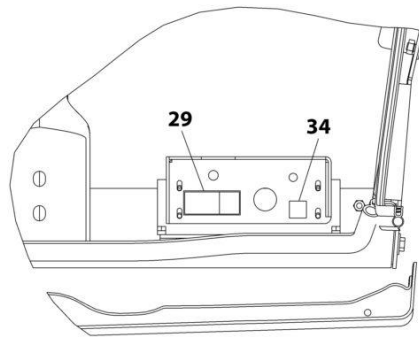
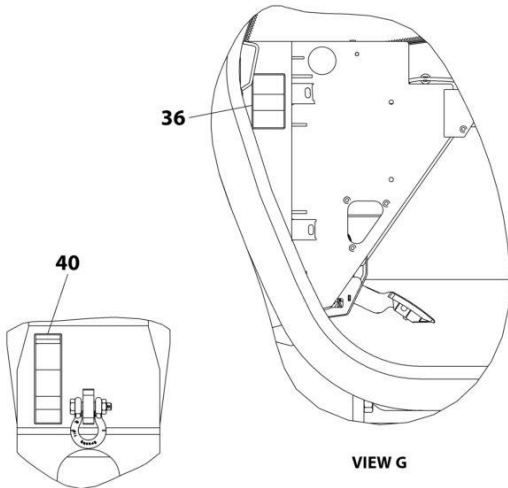
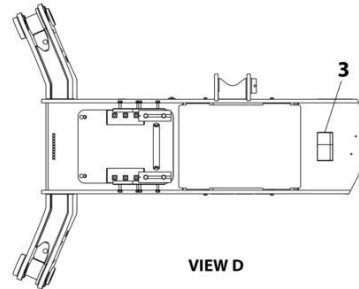
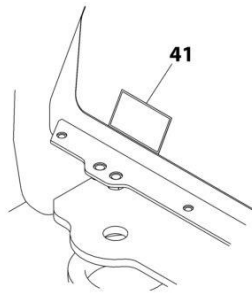
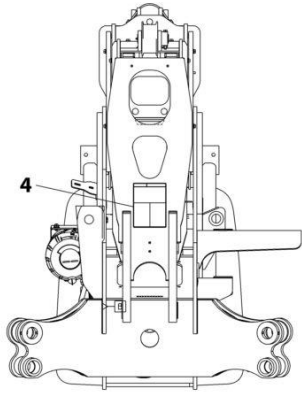
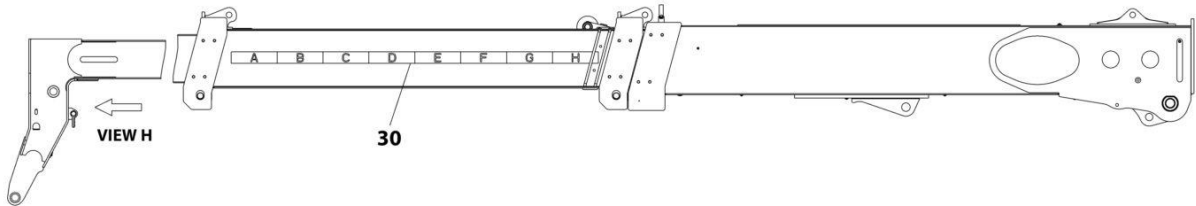
# SECTION 11 - DECALS

## FIGURE 11-6. DECAL INSTALLATION



ART\_1001160667\_1-Q

**SECTION 11 - DECALS**



ART\_1001160667\_2-Q

# SECTION 11 - DECALS

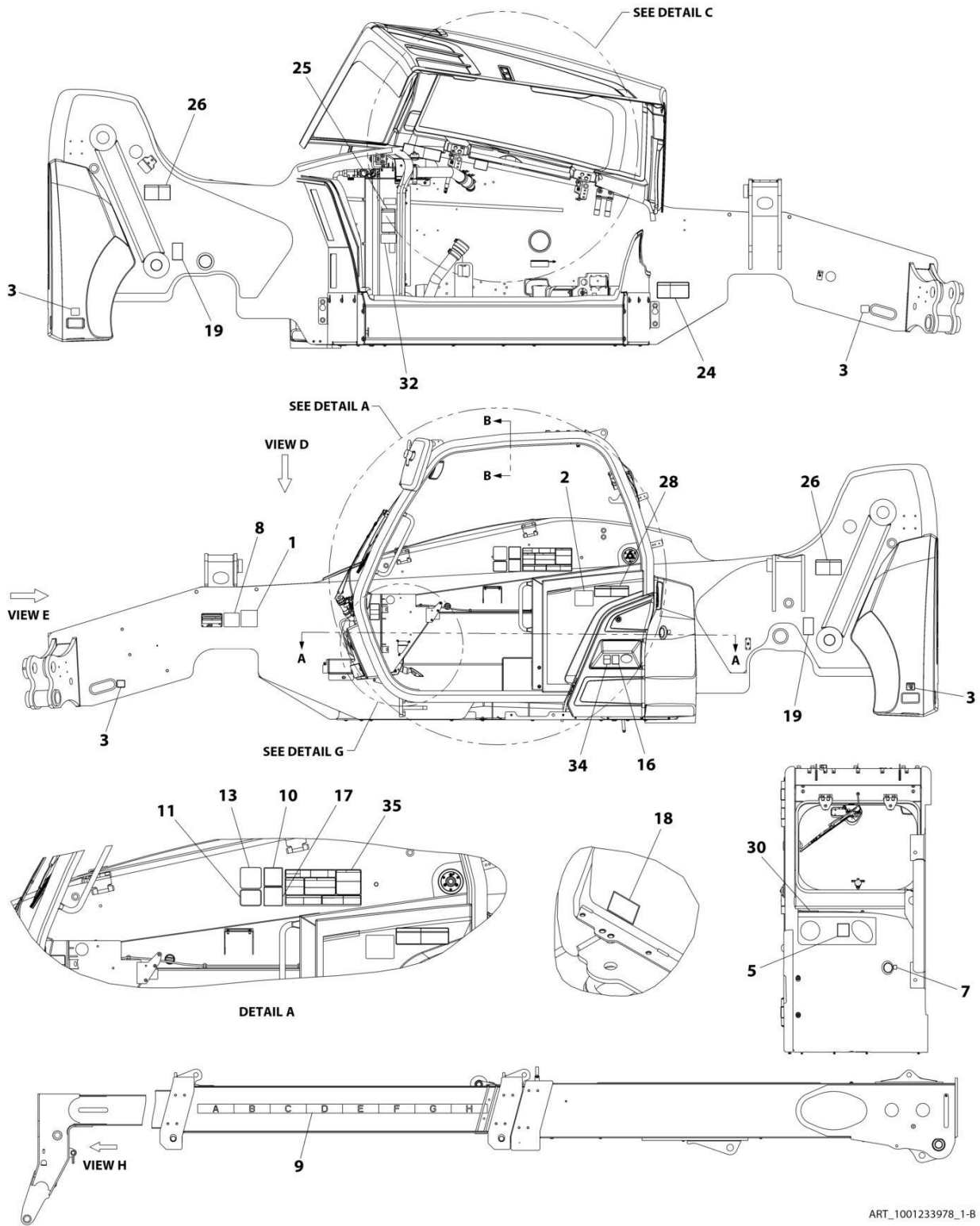
**FIGURE 11-6. DECAL INSTALLATION**

ITEM	PART NUMBER	QTY	DESCRIPTION	REV
	1001160667	Ref	Decal Installation (ENGLISH/FRENCH)	Q
2	1702631	1	Decal, Bar Code	
3	1001163174	1	Decal, Battery Warning	
4	1001195851	1	Decal, Carry Personnel	
5	1001163210	1	Decal, Electrocutation Hazard	
6	1001163212	1	Decal, Warning No Either	
7	1001163222	1	Decal, Moving Parts	
8	1001163223	2	Decal, Pinch Point	
11	1001163285	1	Decal, Warning Tip Over	
13	1001163300	1	Decal, No Riders	
14	1001163304	1	Decal, Warning Crushing Hazard	
16	3251813	1	Decal, USA	
17	4109801	4	Decal, Tie Down Point	
19	1001094708	1	Decal, Hydraulic Oil	
20	1001109053	1	Decal, Coolant Fill	
21	1001163355	1	Decal, Ultra Low Sulfur Diesel	
22	1001130323	1	Decal, Oil Level	
23	1001131271	1	Decal, Patent, Telehandlers	
24	1001163323	1	Decal, Warning Hot Fluid	
29	1001195855	1	Decal, Battery Disconnect	
30	1001171277	1	Decal, Boom Extend	
31	1001172035	1	Decal, No Weld Or Drill	
32	1001172037	1	Decal, MCO, 130HP	
33	1001181537	1	Decal, Outrigger Switches	
34	1001184632	1	Decal, Battery Positive	
35	1001188372	1	Decal, Sway	
36	1001191229	1	Decal, Fuse Panel	
38	1001200101	1	Decal, Manual	
39	1001196806	1	Decal, Diesel Exhaust Fluid	
40	1001209625	1	Decal, Danger Swinging Load	
41	1001219211	1	Decal, Brake Fluid	
42	1001223453	1	Decal, ICES (CAN)	
44	1001230311	1	Decal, EN/FR JLG DEF Tank Service	
45	1001222650	2	Decal, Axle Lift	
46	1001233558	1	Decal, Warning/Danger EN/FR Cab	

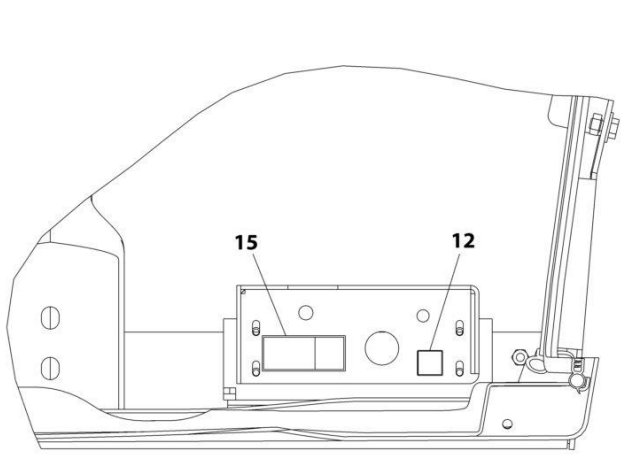


# SECTION 11 - DECALS

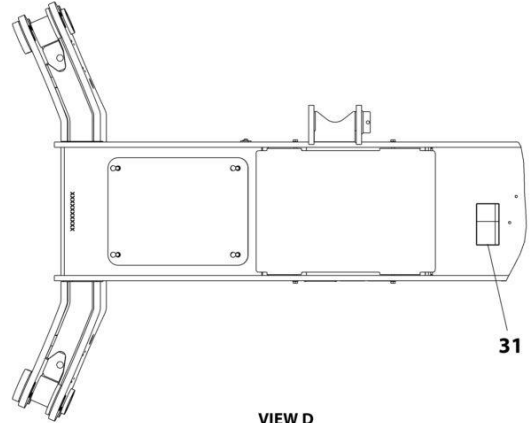
## FIGURE 11-7. DECAL INSTALLATION (ENGLISH/SPANISH)



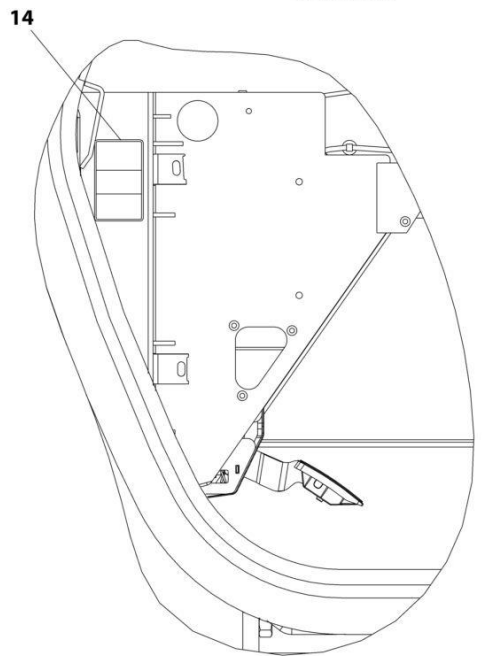
**SECTION 11 - DECALS**



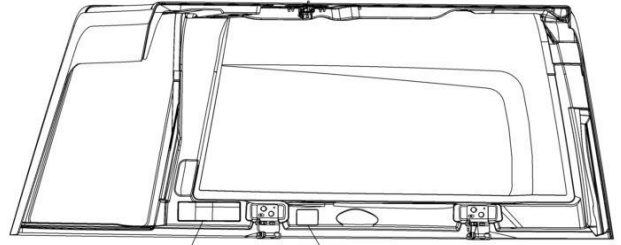
**SECTION A-A**



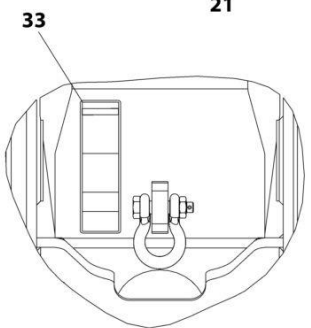
**VIEW D**



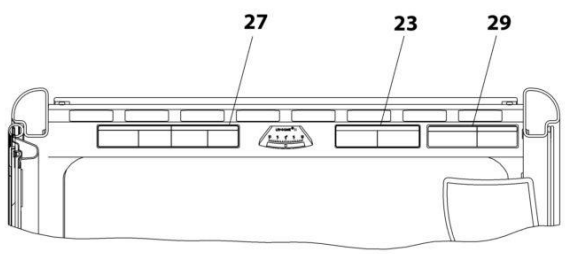
**DETAIL G**



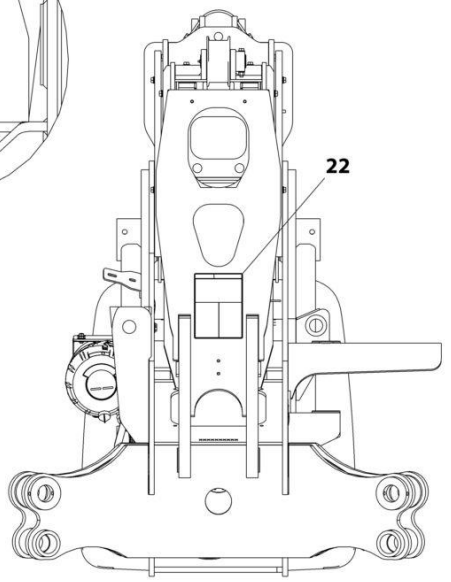
**DETAIL C**



**VIEW H**



**SECTION B-B**



**VIEW E**

ART\_1001233978\_2-B

# SECTION 11 - DECALS

FIGURE 11-7. DECAL INSTALLATION (ENGLISH/SPANISH)

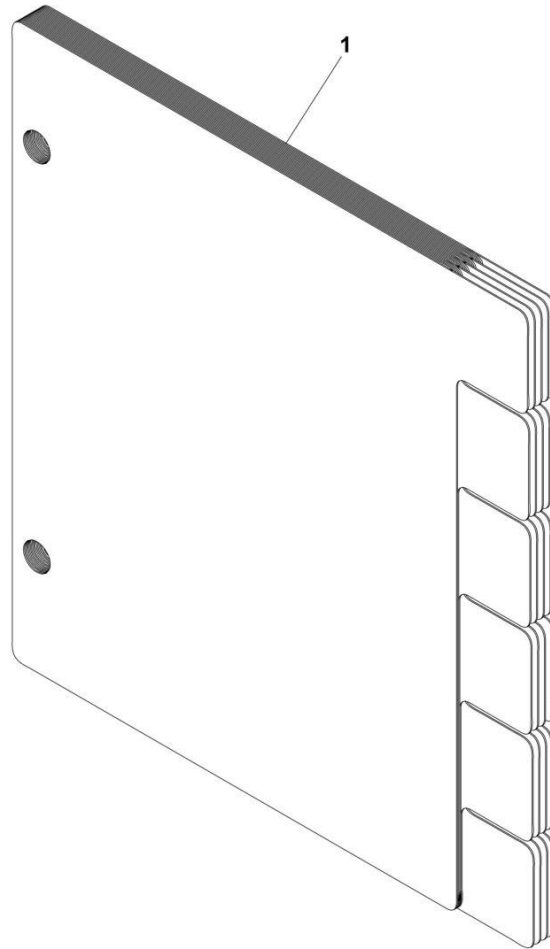
ITEM	PART NUMBER	QTY	DESCRIPTION	REV
	1001233978	Ref	Decal Installation (English/Spanish)	B
1	1702631	1	Decal, Bar Code	
2	3251813	1	Decal, USA	
3	4109801	4	Decal, Tie Down Point	
5	1001094708	1	Decal, Hydraulic Oil	
6	1001109053	1	Decal, Coolant Fill	
7	1001130323	1	Decal, Oil Level	
8	1001131271	1	Decal, Patent, Telehandlers	
9	1001171277	1	Decal, Boom Extend	
10	1001172035	1	Decal, No Weld or Drill	
11	1001181537	1	Decal, Outrigger Switches	
12	1001184632	1	Decal, Battery Positive	
13	1001188372	1	Decal, Sway	
14	1001191229	1	Decal, Fuse Panel	
15	1001195855	1	Decal, Battery Disconnect	
16	1001196806	1	Decal, Diesel Exhaust Fluid	
17	1001200101	1	Decal, Manual	
18	1001219211	1	Decal, Brake Fluid Spec	
19	1001222650	2	Decal, Axle Lift	
21	1001235805	1	Decal, Warning Hot Fluid	
22	1001235796	1	Decal, Carry Personal	
23	1001235797	1	Decal, Electrocutation Hazard	
24	1001235798	1	Decal, Warning No Ether	
25	1001235799	1	Decal, Moving Parts	
26	1001235800	2	Decal, Pinch Point	
27	1001235801	1	Decal, Warning Tip Over	
28	1001235802	1	Decal, No Riding	
29	1001235803	1	Decal, Warning Crushing Hazard	
30	1001235804	1	Decal, Ultra Low Sulfur Diesel	
31	1001235794	1	Decal, Battery Warning	
32	1001235806	1	Decal, MCO 130HP	
33	1001235807	1	Decal, Danger Swinging Load	
34	1001235808	1	Decal, Spanish JLG DEF Tank Service	
35	1001235809	1	Decal, Warning Cab	





# SECTION 11 - DECALS

FIGURE 11-8. CAPACITY CHART (ANSI) - 1055



ART\_1001211156-I

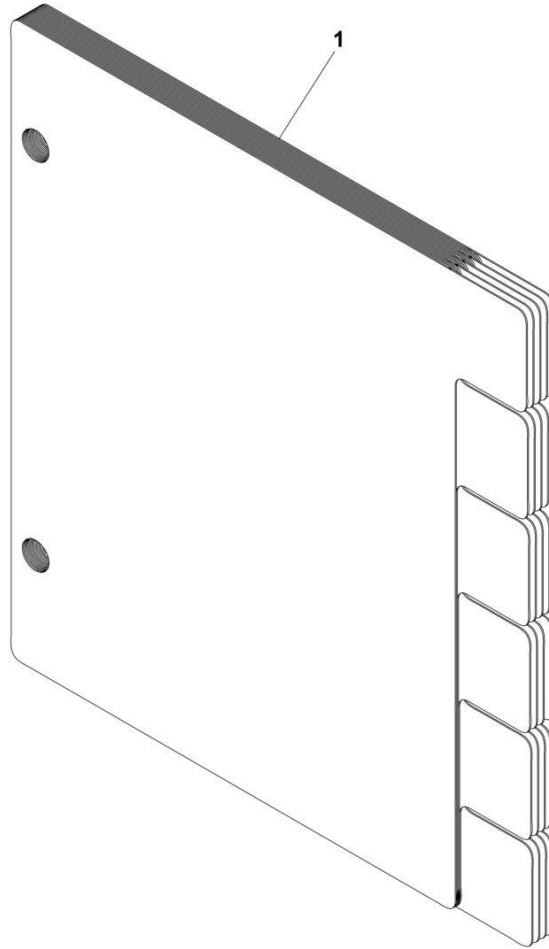
**SECTION 11 - DECALS**

**FIGURE 11-8. CAPACITY CHART (ANSI) - 1055**

ITEM	PART NUMBER	QTY	DESCRIPTION	REV
1	1001211156	1	Capacity Chart (ANSI) - 1055	I

# SECTION 11 - DECALS

FIGURE 11-9. CAPACITY CHART (ANSI) - 1255



ART\_1001211153-I

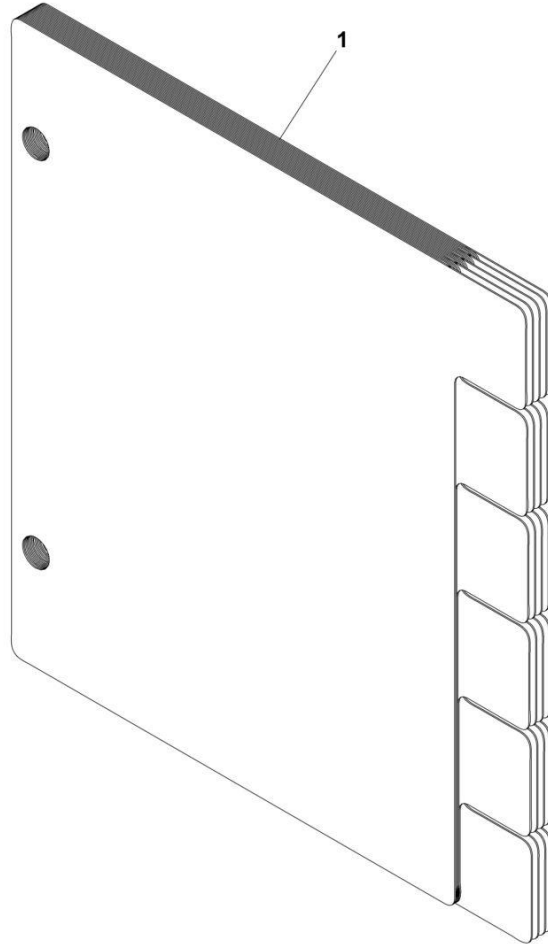
**SECTION 11 - DECALS**

**FIGURE 11-9. CAPACITY CHART (ANSI) - 1255**

ITEM	PART NUMBER	QTY	DESCRIPTION	REV
1	1001211153	1	Capacity Chart (ANSI) - 1255	I

# SECTION 11 - DECALS

FIGURE 11-10. CAPACITY CHART (METRIC) - 1055



ART\_1001211157-J

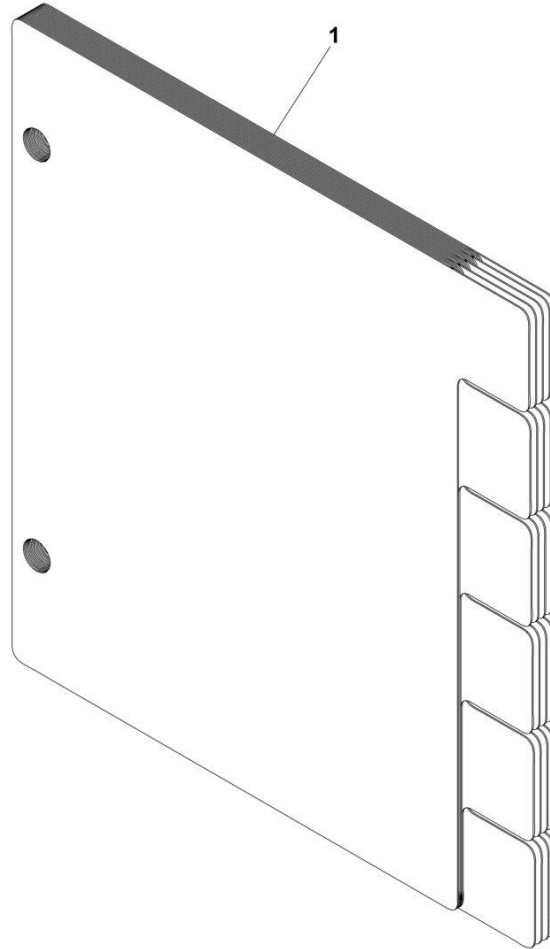
**SECTION 11 - DECALS**

**FIGURE 11-10. CAPACITY CHART (METRIC) - 1055**

ITEM	PART NUMBER	QTY	DESCRIPTION	REV
1	1001211157	1	Capacity Chart (Metric) - 1055	J

# SECTION 11 - DECALS

FIGURE 11-11. CAPACITY CHART (METRIC) - 1255



ART\_1001211155-J



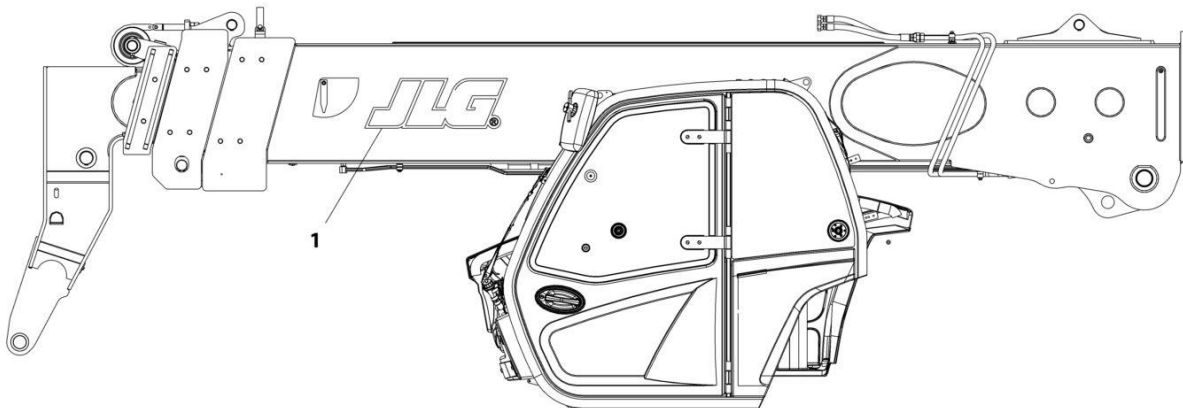
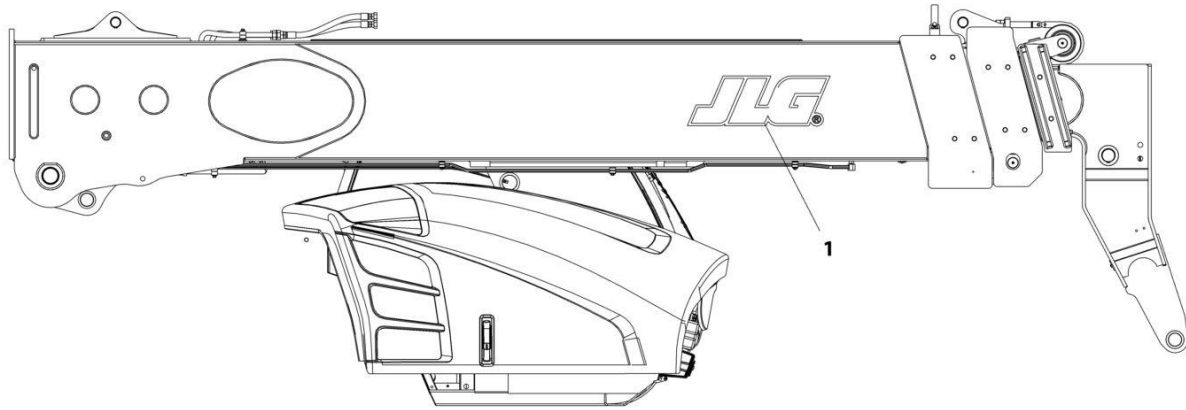
**SECTION 11 - DECALS**

**FIGURE 11-11. CAPACITY CHART (METRIC) - 1255**

ITEM	PART NUMBER	QTY	DESCRIPTION	REV
1	1001211155	1	Capacity Chart (Metric) - 1255	J

# SECTION 11 - DECALS

FIGURE 11-12. DECAL INSTALLATION - JLG (74HP) (Prior to SN 0160106386)



ART\_1001200720-A

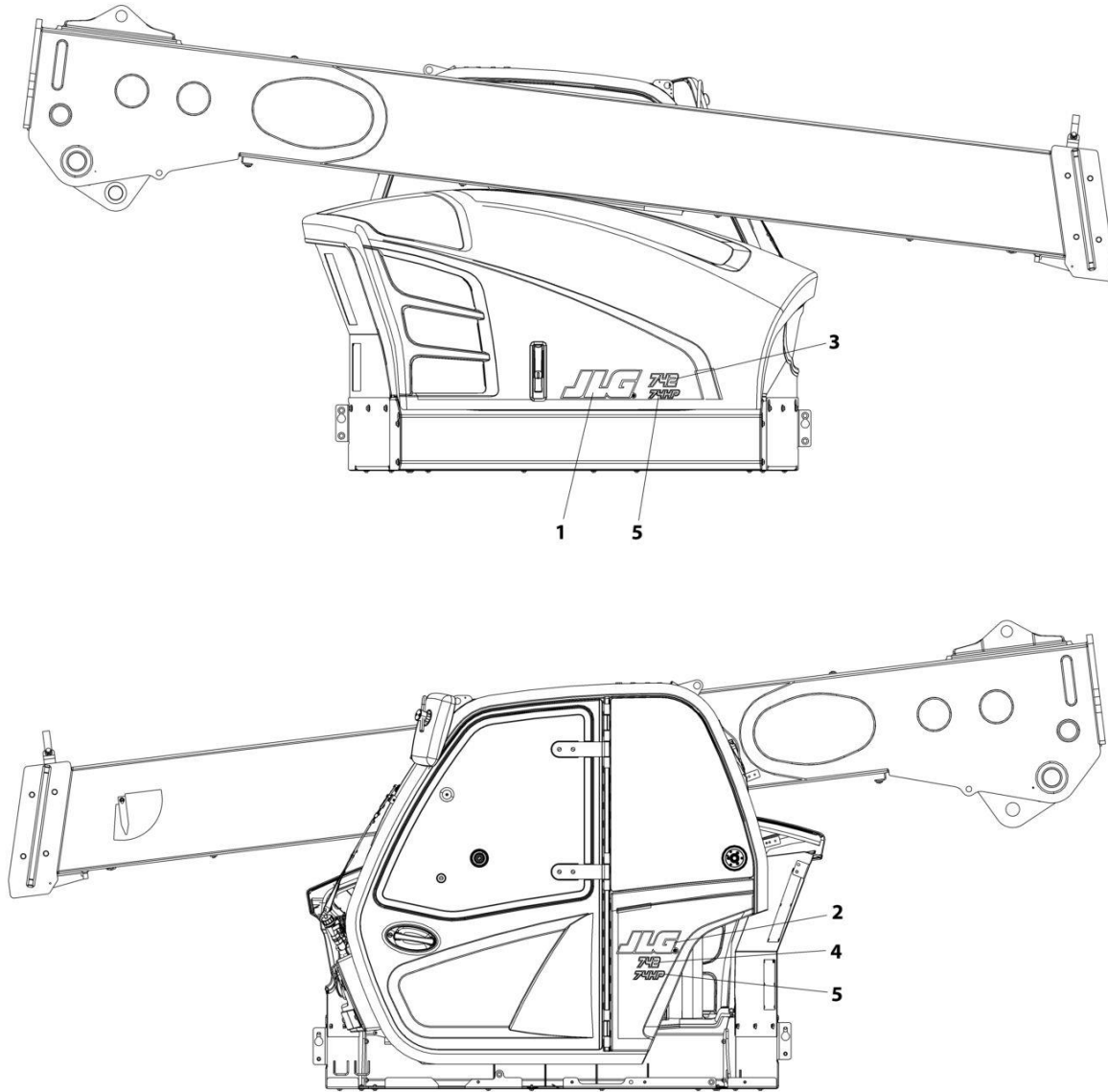
**SECTION 11 - DECALS**

**FIGURE 11-12. DECAL INSTALLATION - JLG (74HP) (Prior to SN 0160106386)**

ITEM	PART NUMBER	QTY	DESCRIPTION	REV
1	1001200720	Ref	Decal Installation	A
	1001159728	1	Decal, JLG Logo	

# SECTION 11 - DECALS

FIGURE 11-13. DECAL INSTALLATION - JLG (74HP) (SN 0160106386 to Present)



ART\_1001272680

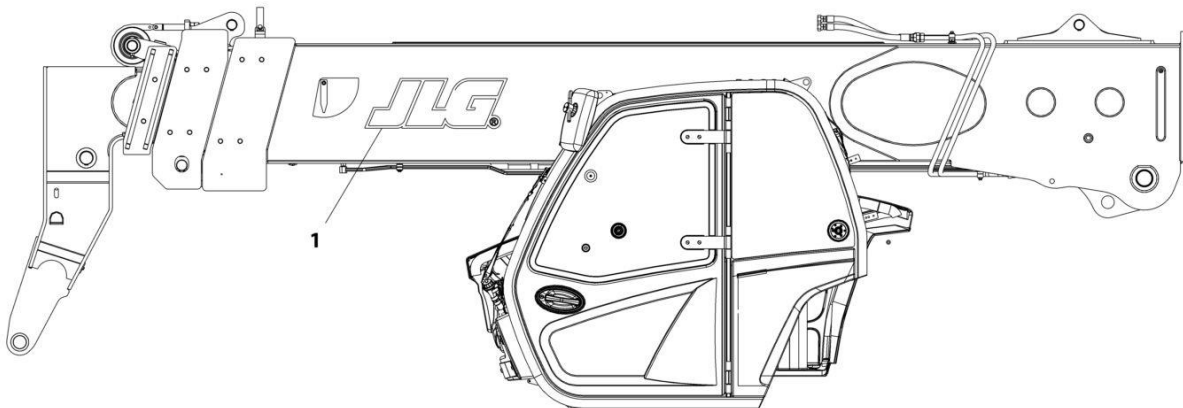
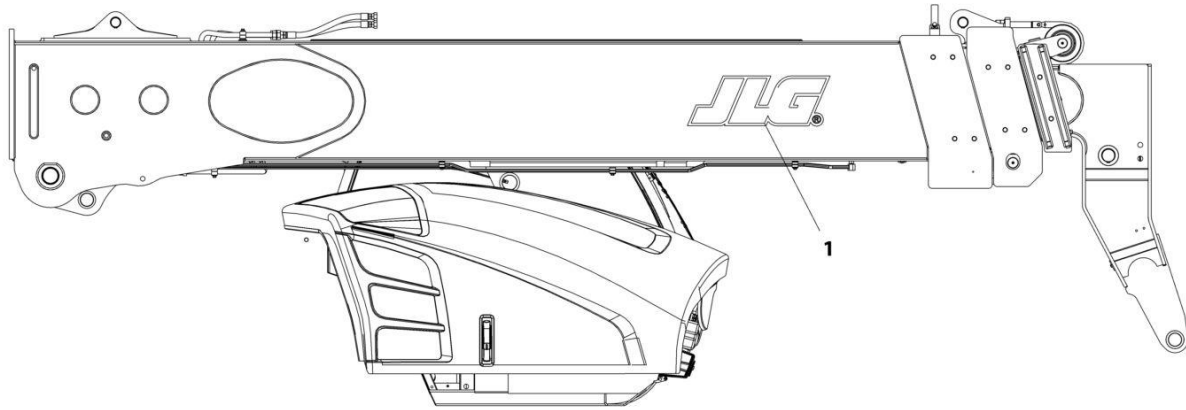
**SECTION 11 - DECALS**

**FIGURE 11-13. DECAL INSTALLATION - JLG (74HP) (SN 0160106386 to Present)**

ITEM	PART NUMBER	QTY	DESCRIPTION	REV
	1001272680	Ref	DECAL INSTALLATION - JLG (74HP)	B
1	1001160775	1	Decal, JLG 5in Black	
2	1001169674	1	Decal, JLG	
3	1001276749	1	Decal, JLG 742	
4	1001276750	1	Decal, JLG 742 Cab	
5	1001276759	2	Decal, JLG 74 HP	

# SECTION 11 - DECALS

## FIGURE 11-14. DECAL INSTALLATION - JLG (110HP)



ART\_1001200720-A

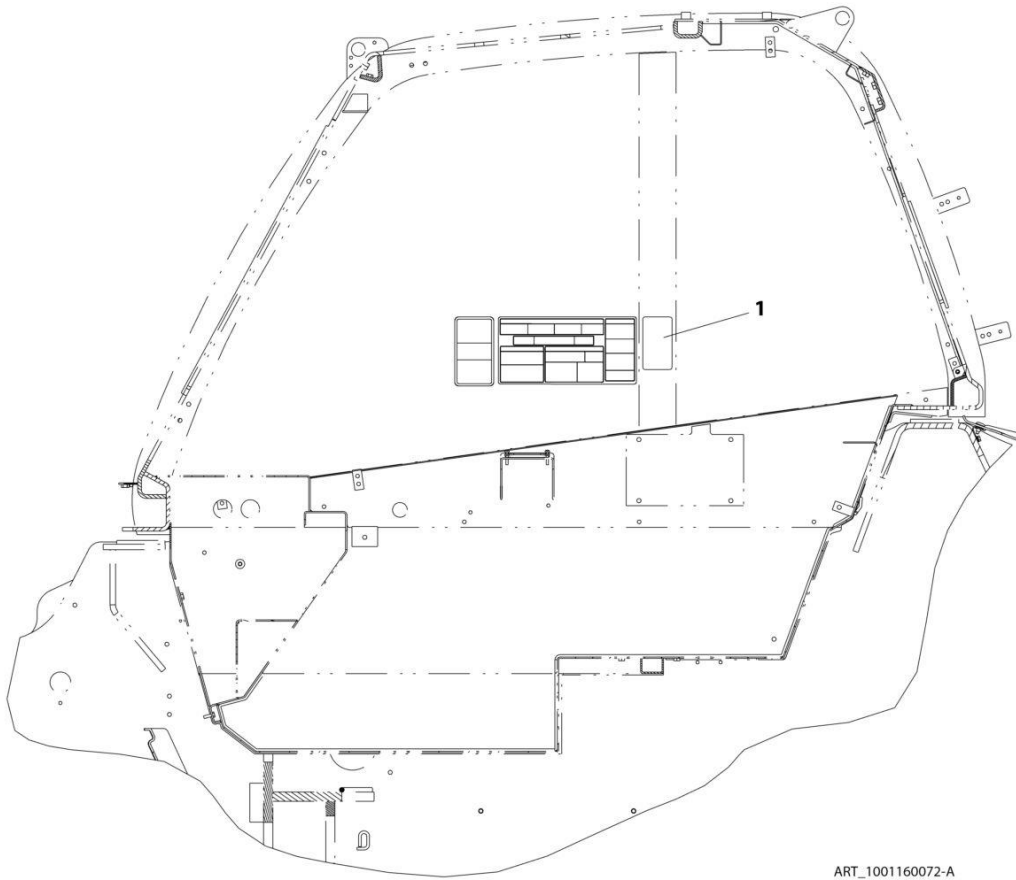
**SECTION 11 - DECALS**

**FIGURE 11-14. DECAL INSTALLATION - JLG (110HP)**

ITEM	PART NUMBER	QTY	DESCRIPTION	REV
1	1001200720	Ref	Decal Installation	A
	1001159728	1	Decal, JLG Logo	

# SECTION 11 - DECALS

## FIGURE 11-15. REVERSE SENSOR SYSTEM DECAL (ENGLISH)



ART\_1001160072-A



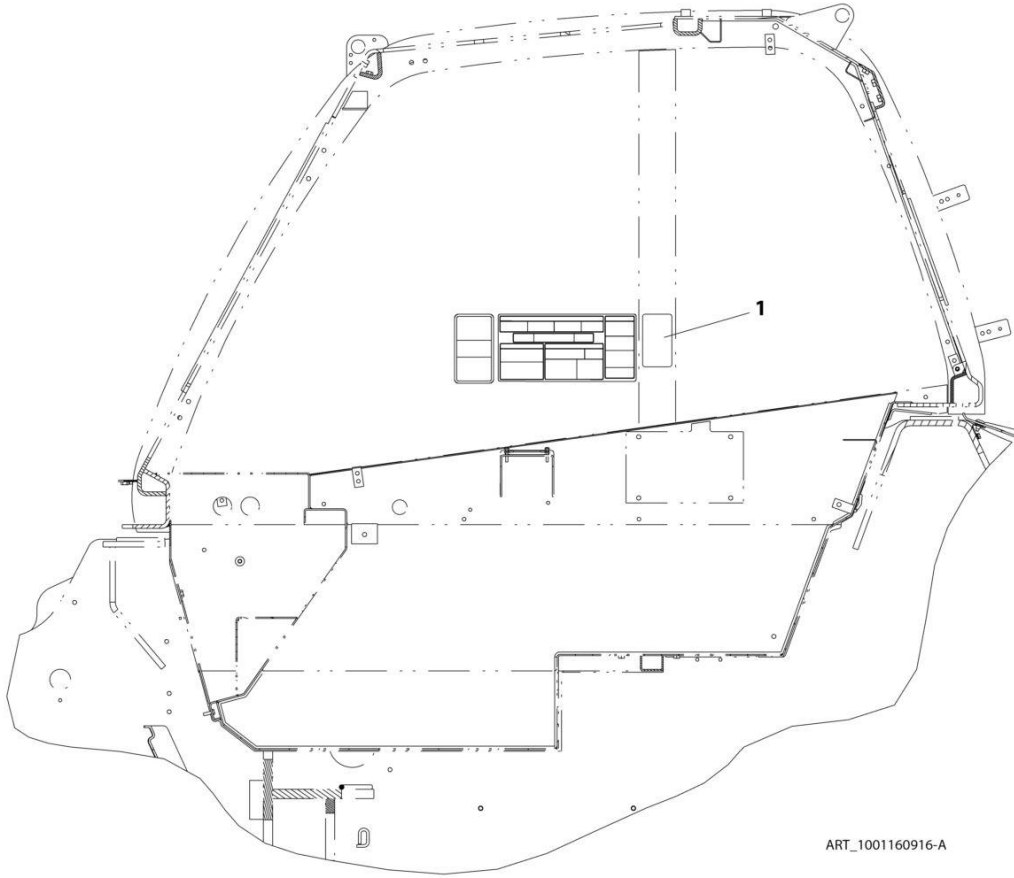
## SECTION 11 - DECALS

FIGURE 11-15. REVERSE SENSOR SYSTEM DECAL (ENGLISH)

ITEM	PART NUMBER	QTY	DESCRIPTION	REV
1	1001160072	1	Reverse Sensor System Decal (English)	A

# SECTION 11 - DECALS

## FIGURE 11-16. REVERSE SENSOR SYSTEM DECAL

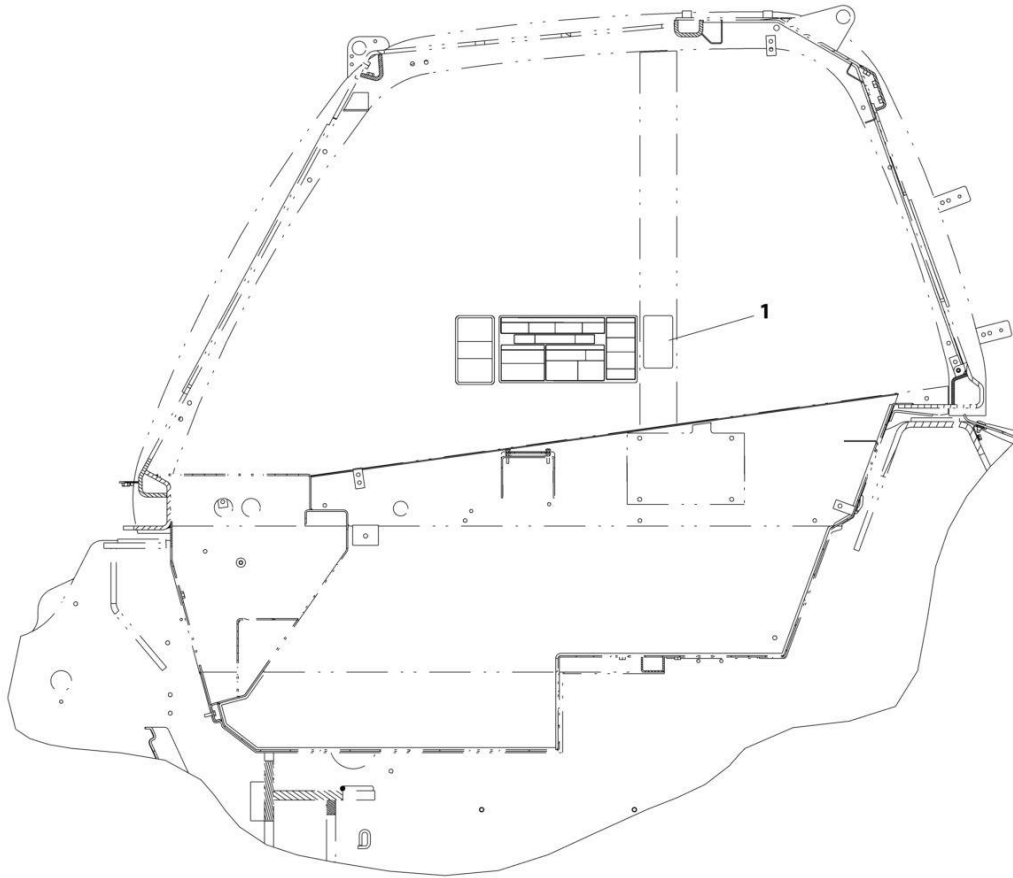


**FIGURE 11-16. REVERSE SENSOR SYSTEM DECAL**

ITEM	PART NUMBER	QTY	DESCRIPTION	REV
1	1001160916	1	Reverse Sensor System Decal (ISO)	A

# SECTION 11 - DECALS

FIGURE 11-17. REVERSE SENSING SYSTEM DECAL, (ENGLISH/FRENCH)



ART\_1001160945-A

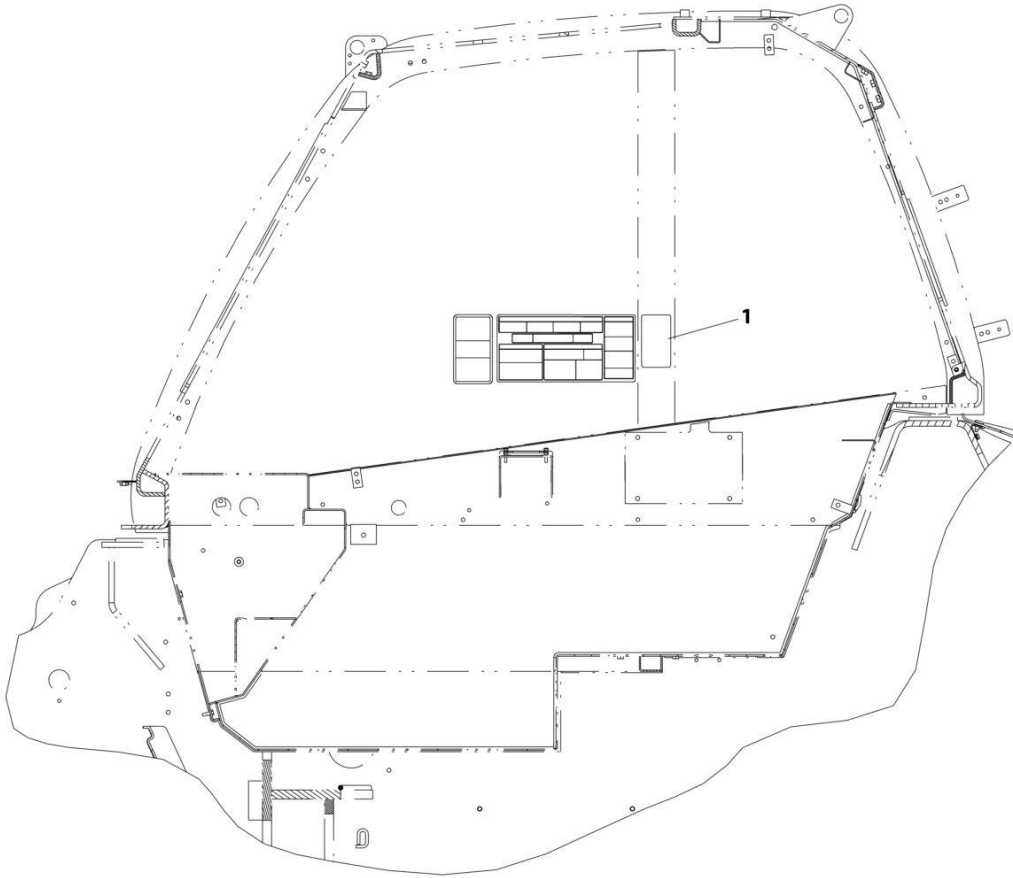
## SECTION 11 - DECALS

FIGURE 11-17. REVERSE SENSING SYSTEM DECAL, (ENGLISH/FRENCH)

ITEM	PART NUMBER	QTY	DESCRIPTION	REV
1	1001160945	1	Reverse Sensor System Decal (ENGLISH/FRENCH)	A

# SECTION 11 - DECALS

FIGURE 11-18. REVERSE SENSOR SYSTEM DECAL (ENGLISH/SPANISH)



ART\_1001237846-A

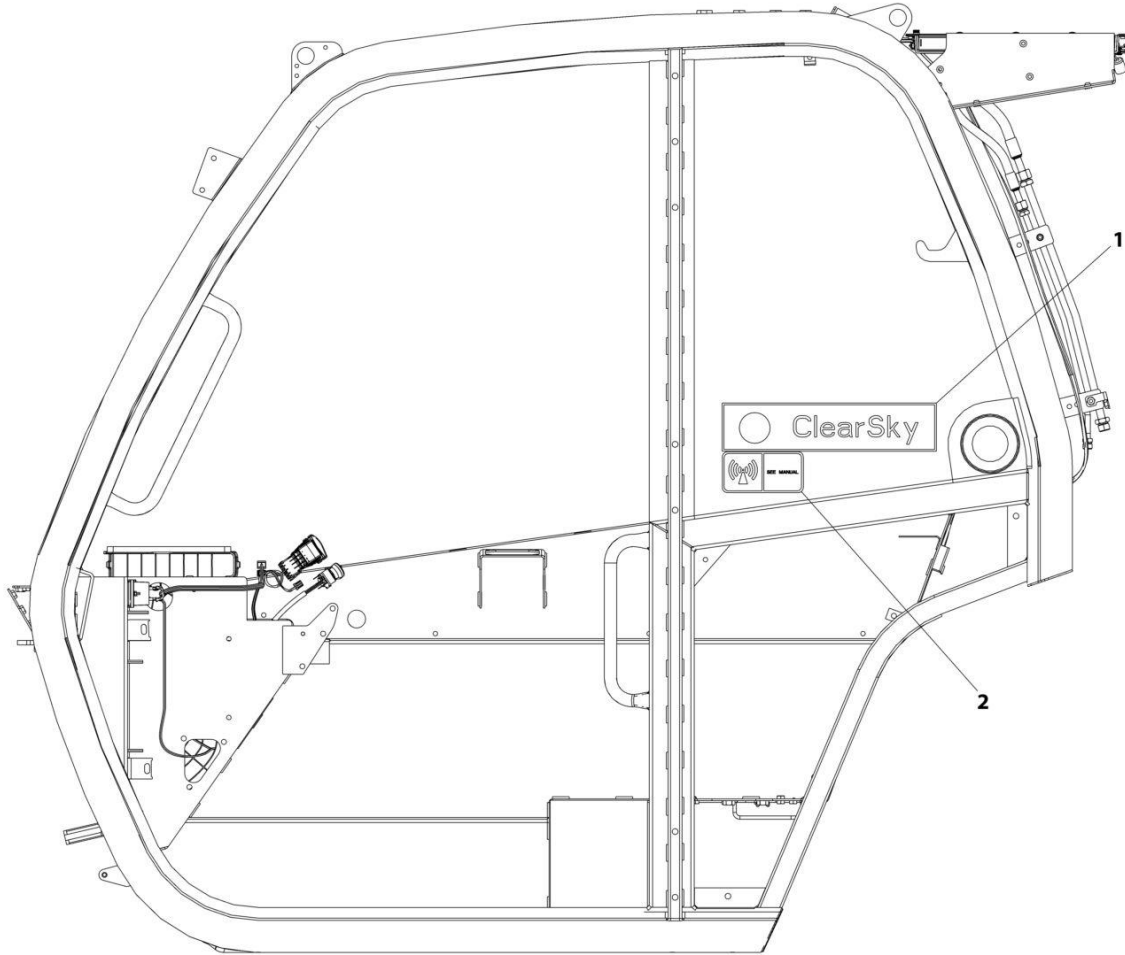
**SECTION 11 - DECALS**

**FIGURE 11-18. REVERSE SENSOR SYSTEM DECAL (ENGLISH/SPANISH)**

ITEM	PART NUMBER	QTY	DESCRIPTION	REV
1	1001237846	Ref	Reverse Sensor System Decal (ENGLISH/SPANISH)	A

# SECTION 11 - DECALS

## FIGURE 11-19. CLEARSKY DECAL INSTALLATION



ART\_1001229707



**SECTION 11 - DECALS**

**FIGURE 11-19. CLEARSKY DECAL INSTALLATION**

ITEM	PART NUMBER	QTY	DESCRIPTION	REV
	1001229707	Ref	Clearsky Decal Installation	B
1	1001116208	1	Clearsky Decal	
2	1001120989	1	Radio Frequency Decal	



## **SECTION 12 - RECOMMENDED SERVICE PARTS STOCK**

## **SECTION 12 - RECOMMENDED SERVICE PARTS STOCK**

# SECTION 12 - RECOMMENDED SERVICE PARTS STOCK

## FIGURE 12-1. RECOMMENDED SERVICE PARTS STOCK

ITEM	PART NUMBER	QTY	DESCRIPTION	REV
		Ref	Note: The following list will service one machine (built to current production per date on the front cover) with emergency repair parts which can be installed in the field. Parts from the list should be replaced when inventory is depleted to keep service parts stock supplied. For further information, contact your JLG dealer or the JLG Industries Parts Department.	
	70029597	1	Coil, 12V (Drywall Valve)	
	70028281	1	Coil (Counterbalance Valve)	
	70020764	1	Coil (Coupler Diverter)	
	70022147	1	Coil (Frame & Outtrigger Valve)	
	70020868	1	Coil (Frame & Outtrigger Valve)	
	70021208	1	Coil (Frame & Outtrigger Valve)	
	70002963	1	Coil (Priority Valve & Sahr Brake)	
	70003788	1	Coil (Stabilizer Valve)	
	70026582	1	Coil (Steer Valve)	
	1001159028	1	Controller, Accelerator	
	1001197138	1	Controller, Brake	
	1001242098	1	Controller, Fingertip Joystick (Outtrigger Switches Installation)	
	1001222609	1	Controller, Joystick	
	1001177597	2	Diode, 6amp (Cab Harness & Engine Harness)	
	1001162663	12	Element, Hydraulic (Tank Filter Assembly)	
	70026234	12	Element, Primary Fuel (LS Engine)	
	70026801	12	Element, Secondary Fuel (LS Engine)	
	1001162662	12	Filter, Breather	
	70026237	12	Filter, Oil (LS & ULS Engines)	
	70025850	12	Filter, Primary Air (LS & ULS Engines)	
	70025851	12	Filter, Secondary Air (LS & ULS Engines)	
	8229261	2	Fuse, 5A (ASOV & Cab Fuse Assembly-Standard)	
	8229242	2	Fuse, 5A (Cab Fuse Board Assembly-Standard, Cab Option 1 Board, Clearsky Harness, Engine Harness)	
	80983191	2	Fuse, 10A (Cab Fuse Board Assembly-Standard, Cab Option 1 Board, Cab Option 2 Board, Engine Harness)	
	8229244	2	Fuse, 15A (Cab Option 2 Board, Engine Harness, Frame Power Distribution Box)	
	8229235	2	Fuse, 20A (Cab Fuse Board Assembly-Standard)	
	8229247	2	Fuse, 25A (Cab Option 1 Board, Frame Power Distribution Box)	
	8229245	2	Fuse, 30A (Cab Fuse Board Assembly-Standard, Frame Power Distribution Box)	
	70026297	2	Fuse, 80A (Frame Power Distribution Box)	
	1001095336	2	Fuse, 150A (Frame Power Distribution Box)	
	70026296	2	Fuse, 200A (Frame Power Distribution Box)	
	1001131177	2	Fuse, Power Module (Engine Wiring Installation)	
	70022765	1	Key, Ignition	
	2940074	1	Latch (Fork Mounted Platform)	
	1001203181	1	Module, Accessory (ASOV)	
	1001270466	1	Module (Cab Electrical Install)	
	1001229955	1	Module (ClearSky ANSI)	
	1001239194	1	Module (ClearSky CE)	
	1001270467	1	Module, Front Frame Module	
	1001229458	1	Module, Gateway	

## SECTION 12 - RECOMMENDED SERVICE PARTS STOCK

ITEM	PART NUMBER	QTY	DESCRIPTION	REV
	1001270468	1	Module, Rear Frame Module	
	1001226328	1	Module, 3W TCU (ClearSky ANSI)	
	1001233236	1	Module, 3W TCU (ClearSky CE)	
	3740080	1	Relay (ASOV & Cab Alarm Seatbelt Harness)	
	70026292	1	Relay, 35A (Cab Fuse Board Assembly-Standard)	
	70026295	1	Relay, 35A (Frame Power Distribution Box)	
	1001205172	1	Relay, 35A (Engine Harness)	
	70026293	1	Relay, 50A (Cab Option 1 Board)	
	70026294	1	Relay, 70A (Frame Power Distribution Box)	
	1001117308	1	Relay, 200A (Engine Bay Electrical Installation)	
	4000015	1	Sensor, Angle (Boom Angle Sensor Installation)	
	1001121955	1	Sensor, Coolant Level	
	1001183024	1	Sensor, Proximity (LSI)	
	1001160730	1	Sensor, Rear Axle, LSI	
	1001247421	1	Sensor, Reverse	
	1001269578	1	Sensor, Temperature (Heater & A/C)	
	1001128478	1	Sensor (Tank Hydraulic)	
	1001104654	1	Switch, AUX	
	1001159746	1	Switch, Auxiliary Electric	
	1001159738	1	Switch, Beacon	
	1001159745	1	Switch, Boom Ride (Ride Control)	
	1001159739	1	Switch, Boom Work Lights	
	1001192142	1	Switch, Disconnect	
	1001163639	1	Switch, Driving Lights	
	1001239793	1	Switch, FNR 4 Speed	
	1001212470	1	Switch, Frame Level	
	1001159845	1	Switch, Front Worklights	
	1001159734	1	Switch, Hazard (Roadlights)	
	1001169268	1	Switch, Horn Button	
	1001160326	1	Switch, HVAC On/Off (Heater & AC)	
	1001159925	1	Switch, HVAC Recycle (Heater & AC)	
	1001172547	1	Switch, HVAC Rotary 3 Speed (Heater & AC)	
	1001159742	1	Switch, LSI Override	
	1001159753	1	Switch, Park Brake	
	1001080375	1	Switch, Quick Switch (Hydraulic Coupler)	
	1001159735	1	Switch, Rear Wiper (Enclosed Cab)	
	1001159846	1	Switch, Rear Worklights	
	1001159736	1	Switch, Roof Wiper (Enclosed Cab)	
	1001159849	1	Switch, Steer Mode	
	1001215941	1	Switch, Toggle (ASOV)	
	1001256974	1	Switch, Turn-Wiper	
	1001102502	1	Switch, 4 Position Key	



**SECTION 13 - SPECIAL OPTIONS/ACCESSORIES/KITS**

**SECTION 13 - SPECIAL OPTIONS/ACCESSORIES/KITS**

# SECTION 13 - SPECIAL OPTIONS/ACCESSORIES/KITS

## FIGURE 13-1. SPECIAL OPTIONS/ACCESSORIES/KITS

ITEM	PART NUMBER	QTY	DESCRIPTION	REV
	See Note	Ref	Note: This list is to accommodate machines ordered with special equipment. Options may not be applicable to all models. For more specific parts information contact JLG Parts Department.	
		Ref	SPECIAL OPTIONS/ACCESSORIES/KITS	
	1001254401	Ref	Access Control Kit	R
	1001202371	Ref	Aftermarket Kits	
	1001199376	Ref	Beacon Kit	
	1001199368	Ref	Boom Brushes Kit	
	1001208523	Ref	Boom Kit - 1055	
	1001208524	Ref	Boom Kit - 1255	
	1001208647	Ref	Boom Wear Pads Kit	
	1001213286	Ref	Cab Display Kit	
	1001210341	Ref	Cab Electrical Option 1	
	1001210342	Ref	Cab Electrical Option 2	
	1001213334	Ref	Cab Enclosure Kit	
	1001213342	Ref	Cab Enclosure Kit with Heater (ULS /LS)	
	1001213344	Ref	Cab Enclosure Kit with Heater and A/C (LS) (ANSI Export and Latin America)	
	1001213343	Ref	Cab Enclosure Kit with Heater and A/C (ULS) (ANSI, ANSI Export and Canada)	
	1001199382	Ref	Cab Guard Kit (Front and Top)	
	1001199381	Ref	Cab Guard Kit (Front)	
	1001199380	Ref	Cab Guard Kit (Top)	
	1001213340	Ref	Cab Heater and A/C Kit (LS) (ANSI Export and Latin America)	
	1001213339	Ref	Cab Heater and A/C Kit (ULS) (ANSI, ANSI Export and Canada)	
	1001213336	Ref	Cab Heater Kit (ULS /LS)	
	1001268341	Ref	Camera (Rear View) Add-on Kit(Dealer Installed)	
	1001254400	Ref	ClearSky Telematics Extension Kit - Canbus	
	1001243188	Ref	ClearSky Telematics Kit - Canbus (CE) (ANSI Export and CE)	
	1001254390	Ref	ClearSky Telematics Kit - Canbus (CE) (ANSI Export and CE)	
	1001254389	Ref	ClearSky Telematics Kit - Canbus (North America) (ANSI Export and Canada)	
	1001243187	Ref	ClearSky Telematics Kit - Canbus (North America) (ANSI, ANSI Export and Canada)	
	1001199333	Ref	ClearSky Telematics Kit - Long Roof Cap (ANSI, ANSI Export and Canada)	
	1001199334	Ref	ClearSky Telematics Kit - Short Roof Cap (ANSI, ANSI Export and Canada)	
	1001262959	Ref	ClearSky Voltage Regulator Kit	
	1001211992	Ref	Cold Weather Kit (LS) (ANSI Export and Latin America)	
	1001211991	Ref	Cold Weather Kit (ULS) (ANSI, ANSI Export and Canada)	
	1001239095	Ref	DEF Sensor Upgrade Kit - Short Hoses (ANSI, ANSI Export and Canada)	
	1001238953	Ref	DEF Sensor Upgrade Kit (ANSI, ANSI Export and Canada)	
	1001214167	Ref	External Rear Window Release Kit	
	1001199378	Ref	Fender Kit	
	1001199739	Ref	Filter Kit - 250Hour	
	1001199740	Ref	Filter Kit - 1000Hour	
	1001239961	Ref	Fire Extinguisher Kit	
	1001236255	Ref	Hood Hinge Support - JLG (Prior to SN 0160085018)	



## SECTION 13 - SPECIAL OPTIONS/ACCESSORIES/KITS

ITEM	PART NUMBER	QTY	DESCRIPTION	REV
	1001247444	Ref	Latch - 180Deg Swing (ANSI)	
	1001247442	Ref	Latch - 180Deg Swing - Hydraulic (ANSI)	
	1001209981	Ref	Lights – Boom Worklight Kit	
	1001230083	Ref	Lights - Roadlights Kit <b>(SN 0160079247 to Present, Including 0160079187)</b>	
	1001199370	Ref	Lights - Roadlights Kit - High Boom <b>(Prior to SN 0160079247, Excluding 0160079187)</b>	
	1001208847	Ref	Lights - Worklight Kit	
	1001235921	Ref	Lights - Worklight Kit (LED)	
	1001199362	Ref	Rear Wiper Kit	
	1001199366	Ref	Reverse Camera Kit	
	1001245914	Ref	Reverse Camera Kit (4WARD)	
	1001252086	Ref	Reverse Sensing System Kit	
	1001199328	Ref	Roof Wiper Kit	
	1001272890	1	Service JLG OROPS	
	1001272892	1	Service JLG EROPS	
	1001213289	Ref	Short Roof Cap Kit	
	1001260947	1	Smart Shift Kit	
	1001229799	1	Strainer Kit	
	1001274257	1	Tire Set – Solid 13x28 Dir	
	1001274302	1	Tire Set – Solid 13x28 Non-Dir	
	1001274305	1	Tire Set – Solid 14x28 Dir	
	1001274307	1	Tire Set – Solid 14x28 Non-Dir	
	1001274718	1	Tire Set – Solid 13x24 Dir	
	1001274721	1	Tire Set – Solid 14x24 Dir	
	1001115743	Ref	TL12 Boom Kit	
	1001249695	Ref	Tools- Analyzer and Cable Kit	
	1001249941	Ref	Tools- Analyzer and Cable Kit (Battery Powered)	
	1001213350	Ref	Upgrade Kit - Heater Only to Heater and A/C (LS) ( ANSI Export and Latin America)	
	1001213349	Ref	Upgrade Kit - Heater Only to Heater and A/C (ULS) (ANSI, ANSI Export and Canada)	



# SECTION 13 - SPECIAL OPTIONS/ACCESSORIES/KITS

## PART NUMBER INDEX

## SECTION 13 - SPECIAL OPTIONS/ACCESSORIES/KITS

0100011.....167, 171, 175	0711217 .... 61, 63, 65, 67, 69, 71, 101	0770814..... 685	1001095804.....925, 927
01043892..... 359	0711218 .... 61, 63, 69, 71	0771210.....65, 67, 69, 71, 293	1001095810.....133
0400075..... 885	0711219 .... 65, 67, 69, 71	0771212..... 73, 75	1001096019..... 129
0498748..... 563	0711220 .....65, 67	0781016..... 287	1001096020..... 129
0641405..... 133	0711221 ..... 71	0791605..... 309	1001096021..... 131
0641510..... 265	0711223 .....61, 63	0860520..... 133	1001096023..... 131
0641610..... 123	0711224 .....65, 67	0930020..... 151	1001096024..... 129
0641612.....167, 171, 175	0711226 .....69, 71	1001001568 ..... 731	1001096025..... 131
0641812..... 734	0711227 .....69, 71	1001002946 ..... 661	1001096365.....661
0642032.....159, 167, 169, 171, 173, 175	0711228 .....65, 67	1001002947 ..... 661	1001096679.....781
0651607..... 123	0711229 .....99	1001002953 ..... 661	1001097053.....365
0681810.....167, 171, 175	0711626 ..... 35	1001002957 ..... 661	1001097110.....211
0700408.....939, 943	0711629 ..... 35	1001003043 ..... 561	1001097202.....529, 531
0700610 19, 21, 278, 282, 349, 635, 877, 879, 969, 971, 1006, 1047, 1049	0711630 .....35, 97	1001003227 ..... 39	1001097205.....233
0700614.....265, 614	0711631 .....97, 113	1001003301 ..... 839	1001097412..... 58
0700616.....725, 727, 740, 1043	0712020 .....527	1001003427 ..... 289	1001097540.. 19, 21, 595, 597
0700618.....901, 987	0712022 .....527	1001003590 ..... 25	1001097586.....561
0700808..... 987	0712027 .....525	1001004640 .....687, 689	1001097587.....439, 475
0700812..... 519	0712042 .....47, 49	1001005368 ..... 659	1001097588.....299, 301
0700814 19, 21, 313, 720, 725, 839, 969, 971	0712442 .....23, 25	1001005960 ..... 1073	1001097810..... 713
0700815..... 740	0741610 .... 167, 171, 175	1001007056 ..... 111	1001098762.....887
0700816.....309, 315, 317, 717, 734	0760304 .....699	1001008540 .....969, 971	1001098769..... 103
0700817.....720, 740	0760405 .... 143, 145, 147, 149, 159, 167, 169, 171, 173, 175, 177, 983	1001008559 .....278, 282, 493, 543, 545, 983, 1011, 1013	1001098828... 69, 71, 101
0700818.....745, 1006	0760507 .....289, 673	1001008575 ..... 33	1001099113.....167, 171, 175
0700819.....687, 997	0760512 .....577	1001008687 ..... 45	1001099115.....167, 171, 175
0700820.....533, 535, 537, 717	0760605 .... 299, 339, 563, 681	1001008742 ..... 577	1001099170.....551
0700821..... 720	0760606 .....19, 21	1001008857 ..... 661	1001099351..... 141
0700822..... 720, 1006	0760607 .... 278, 282, 359, 563, 983	1001008923 ..... 1043	1001099457 .....203
0700823..... 749	0760608 .... 101, 325, 529, 531, 571, 577, 649, 681, 687, 689, 969, 971, 1011, 1013	1001008988 ..... 563	1001099699.....673
0700824.....687, 689	0760610 .....567	1001009163 .....365, 839	1001099717.....893
0700826..... 339	0760615 .....997	1001025750 ..... 335	1001099901..... 145
0700827.....351, 353	0760807 .....349, 987	1001025753 ...1011, 1013	1001099902..... 143
0701014...37, 39, 43, 327, 974, 978	0760808 .... 569, 635, 637, 889, 983, 987	1001028308 ..... 740	1001100265..... 147
0701016...19, 21, 45, 327, 519, 725, 727, 755	0760810 .. 39, 54, 58, 327, 329, 533, 537, 575, 599, 601, 611, 614, 637, 681, 720, 734, 777	1001047062 ..... 563	1001100266..... 149
0701017.....329, 331	0760812 .... 331, 339, 353, 517, 531, 661, 939, 943	1001080375 ....727, 1119	1001100267..... 153
0701018.....291, 293, 319, 321, 493	0760815 ..... 37, 327, 339, 661, 720, 740, 1006	1001080996 ..... 727	1001100822..... 147
0701020.....33, 291, 293	0760823 .....31, 337	1001090063 ..... 167, 171, 175	1001100823..... 149
0701027..... 311	0761007 .987, 1011, 1013	1001090064 ..... 167, 171, 175	1001100824..... 153
0701215..... 287	0761010 .... 19, 21, 39, 41, 45, 299, 301, 319, 321, 365, 687, 720, 740, 969, 971, 987, 1006, 1011, 1013	1001090140 ..... 167, 171, 175	1001100967..... 139
0701216.....35, 285	0761012 .... 291, 293, 319, 321, 355, 687, 689, 720, 727, 1027	1001090343 .....577, 631, 633	1001101458.....119, 121
0701217..... 777	0761210 .... 291, 335, 974, 978	1001091715 ...1027, 1035	1001101808.....877
0701220..... 35	0761214 ..... 33, 115, 119, 121, 431, 727	1001091716 ...1027, 1037	1001101867 .... 65, 69, 71
0701226.....683	0761215 .....31, 761	1001091751 ..... 919	1001101895..... 1083
0701227..... 35	0761218 .....291, 293	1001091951 .....95, 99	1001102502.....925, 927, 1119
0701229..... 27		1001092481 ..... 127	1001102509.....715
0701232..... 27		1001092482 ..... 127	1001103012..... 904
0711015..... 365		1001092877 ..... 1083	1001103156.....891, 893
0711027.....23, 25		1001092878 ..... 1083	1001103182.....177, 803
0711214.....65, 67, 71, 73, 75		1001093171 ..... 233	1001103564..... 1045
0711215.....65, 67, 69, 71, 73, 75		1001093564 ..... 887	1001104029..... 720
0711216.....61, 63, 65, 67, 69, 71		1001094134 ..... 227	1001104477 .....731, 847
		1001094136 ..... 227	1001104497 ..... 941
		1001094708 ..1080, 1083, 1086, 1090	1001104498..... 1051
		1001095336 ...1009, 1118	1001104519.....911, 935
		1001095418 ..... 177	1001104654.....925, 927, 1119
		1001095650 ..... 119, 121, 687, 689	1001104685.....349
		1001095738 ..... 407	1001105441..... 117
			1001105886..... 1025
			1001107192.....563
			1001107854.....921, 941, 1019, 1020, 1051

## SECTION 13 - SPECIAL OPTIONS/ACCESSORIES/KITS

1001108668 .....236	1001118323 ..... 1016	1001137512 ..... 229	1001157487 ..... 659
1001109053 .. 1080, 1083, 1086, 1090	1001118378 ..... 873	1001137578 ... 1001, 1002	1001157663 .....351, 353
1001110544 .....699	1001118383 ..... 935	1001138348 ..... 303, 305	1001157890 .....873, 911
1001110704 ..... 177, 181	1001118384 .....903, 904, 911, 912, 915, 1065	1001139551 ..... 633	1001157891 ..... 899
1001111076 .....649	1001118392 ..... 1039	1001139552 ..... 631	1001157972 .....747, 851
1001111147 .....649	10011184495 ..... 1067	1001139568 ..... 659	1001158146 ..... 927
1001111190 .....177	1001118684 ..... 903	1001139578 ..... 1080	1001158298 .....734, 740
1001111317 ..... 553, 559	1001118685 ..... 935	1001139942 ..... 1083	1001158527 .....689, 863
1001112612 ..... 899, 903, 991, 993	1001120163 .....111, 809	1001141246 ..... 661	1001158620 .....769, 827
1001112796 ..... 957, 961, 1053	1001120178 .....509, 511, 513, 515	1001141281 ..... 575	1001159028 .....677, 679, 1118
1001112902 ..... 19, 21	1001120179 .....509, 513	1001141311 ..... 633	1001159347 .....291, 293, 295
1001114495 ..... 303, 305	1001120914 .....167, 171, 175	1001141312 ..... 631	1001159605 .....99
1001114498 .....1019	1001120915 .....167, 171, 175	1001141313 ..... 633	1001159609 .....77
1001114803 ..... 291, 293	1001120989 ..... 1115	1001141400 ..... 278, 282	1001159611 .....65, 67
1001115743 .....1123	1001121103 ..... 509	1001142247 ..... 248	1001159612 .....71
1001116128 .....493	1001121105 ..... 513	1001143200 ..... 555, 565	1001159613 .....69, 71
1001116208 ..... 1115	1001121109 .....509	1001143551 ..... 873	1001159728 .....1101, 1105
1001116696 .....1039	1001121726 ..... 1020	1001143692 ..... 117	1001159734 .....1027, 1119
1001116697 .....904	1001121727 ..... 1061	1001143852 ..... 1083	1001159735 .....631, 1119
1001116698 .....904	1001121955 .....309, 1119	1001143857 ..... 687, 689	1001159736 .....633, 1119
1001116700 .....911	1001122453 ..... 833	1001144147 ..... 873, 917, 955, 965, 990, 993	1001159738 .....889, 1119
1001116723 ..... 903, 904, 911, 912, 915	1001125027 .....990, 994	1001144629J ..... 133	1001159739 .....1041, 1119
1001116725 .....991	1001125083 ..... 991	1001145539 ..... 614	1001159742 .....543, 545, 1119
1001116727 ..... 904, 1020, 1061	1001125085 ..... 991	1001145707 ..... 993	1001159745 .....771, 773, 1119
1001116728 ... 1020, 1045	1001125117 ... 61, 63, 65, 67, 69, 71, 73, 75, 727	1001146160 ..... 137	1001159746 .....895, 1119
1001116729 .....1061	1001125137 ..... 833	1001146588 .....278, 282, 901, 907, 997, 999, 1011, 1013, 1027	1001159753 .....925, 927, 1119
1001116731 .....955	1001125410 .....513	1001146949 ..... 701	1001159760 .....710, 743
1001116732 .....993	1001125465 .....493	1001147340 ..... 740	1001159845 ...1047, 1049, 1119
1001116745 .....1061	1001125784 ..... 899	1001147449 ..... 592	1001159846 ...1047, 1049, 1119
1001116747 ..... 912, 921	1001126008 .....873, 965, 967, 1016	1001147623 ..... 83, 89	1001159847 .....743, 747
1001116748 ..... 903, 991, 993	1001126011 ..... 991	1001149160 ..... 19, 21	1001159849 .....925, 927, 1119
1001116749 ..... 991, 993	1001126349 ..... 994	1001149278 ..... 592	1001159881 ..... 327
1001116754 .....903	1001126353 ..... 994	1001150610 ..... 990, 993	1001159882 ..... 327
1001116763 ..... 904, 921, 941, 1020	1001126356 ..... 994	1001150611 ... 1015, 1016	1001159925 .....611, 614, 1119
1001116774 ..... 873, 965, 1016	1001126357 ..... 994	1001150735 ..... 903	1001159943 .....93
1001116808 ..... 873, 965, 1016	1001126391 .....1001	1001150737 ..... 903	1001159947 .....93, 95
1001116810 .....1015	1001126393 .....1001	1001152415 ..... 501	1001159957 .....58
1001116811 ..... 990, 993	1001126487 ..... 990	1001152416 ..... 501	1001159958 ..... 54
1001116812 ..... 873, 903, 915, 955, 957, 965, 1001, 1015	1001126837 .....557, 567, 891	1001152430 ..... 501	1001159966 .....58, 63
1001116815 ..... 873, 905, 965	1001128127 ..... 1015	1001152742 ..... 1001	1001159967 .....54, 61
1001116950 ..... 991, 993, 1016	1001128144 ..... 309	1001152915 ..... 559	1001159970J .....63
1001116986 .....912	1001128341 ..... 309	1001152934 ..... 559	1001159971J .....61
1001116991 ..... 903, 911	1001128478 .....365, 839, 1119	1001152947 ..... 553, 559	1001160013 .....58, 67
1001116996 .....1039	1001128594 .....273, 275	1001153612 ..... 991	1001160014 .....54, 65
1001116997 .....912	1001128890 ..... 137	1001153748 ..... 785, 861	1001160023 .....58, 71
1001116999 .....911	1001129407 .....949	1001153749 ..... 963, 987	1001160024 .....54, 69
1001117021 .....921	1001129423 .....493	1001154365 ..... 549, 559	1001160032 .....58, 75
1001117073 ..... 991, 993	1001129425 .....493	1001154419 ..... 559	1001160033 .....54, 73
1001117079 .....911	1001130220 ..... 19, 21	1001154511 ..... 269, 273	1001160042 .....614
1001117081 ..... 903, 904, 911, 915	1001130323 ...1080, 1083, 1086, 1090	1001154721 ..... 547, 553	1001160043 .....611
1001117121 .....935	1001131177 .....987, 1118	1001154790 .....271, 275	1001160072 ..... 1107
1001117308 ..... 969, 971, 1119	1001131271 ...1080, 1083, 1086, 1090	1001154984 ..... 539	1001160116 .....35
	1001132168 ..... 41	1001155020 ..... 592	1001160168 ..... 895
	1001133072 .....171, 175	1001155261 ..... 327	1001160176 ..... 105
	1001133534 .....287	1001155307 ..... 689	1001160177 ..... 107
	1001134274 .....891, 893	1001155446 ..... 523, 525	1001160250 .....47, 49
	1001136975 .....278, 282	1001155447 ..... 541, 575	1001160253 ..... 37
		1001155486 ..... 633	1001160255 .....43
		1001155540 .....291, 293	
		1001155796 ..... 635	
		1001155800 ..... 635	
		1001155806 ..... 1053	
		1001156265 ..... 687, 689	
		1001157481 ..... 659	

## SECTION 13 - SPECIAL OPTIONS/ACCESSORIES/KITS

1001160326 ..... 614, 1119	1001161423 ..... 473, 475	1001163104 ..... 65, 67	1001163903 ..... 69
1001160387 ..... 269	1001161424 ..... 473, 715	1001163105 ..... 69, 71, 73, 75	1001163908 ..... 73
1001160396 ..... 271	1001161499 ..... 539, 541, 677	1001163107 ..... 69	1001163987 ..... 423, 431
1001160397 ..... 291	1001161528 ..... 729	1001163108 ..... 65, 69, 71, 73, 75	1001164036 ..... 769, 789, 791
1001160402 ..... 293	1001161538 ..... 553	1001163112 ..... 61, 63, 65, 67	1001164039 ..... 79, 81, 83, 85, 87, 89, 91
1001160409 ..... 327	1001161564 ..... 27	1001163113 ..... 61, 63	1001164287 ..... 867, 1013
1001160417 ..... 329	1001161664 ..... 269, 271, 365	1001163114 ..... 65, 67	1001164402 ..... 1006, 1009
1001160420 ..... 313	1001161672 ..... 687, 689	1001163127 ..... 867, 971	1001164404 ..... 327
1001160426 ..... 351	1001161732 ..... 867, 869, 1006	1001163133 ..... 347	1001164436 ..... 27
1001160438 ..... 867	1001161769 ..... 901, 929	1001163134 ..... 349	1001164454 ..... 27
1001160496 ..... 533	1001161770 ..... 907, 931	1001163149 ..... 833	1001164498 ..... 599, 601
1001160498 ..... 905	1001161771 ..... 909, 933	1001163151 ..... 649	1001164567 ..... 117
1001160500 ..... 1015, 1019	1001161780 ..... 710, 734	1001163170 ..... 649	1001164571 ..... 105, 117
1001160502 ..... 905	1001161854 ..... 588, 592, 607	1001163174 ..... 1086	1001164615 ..... 599
1001160503 ..... 533, 537	1001161855 ..... 588, 592	1001163210 ..... 1086	1001164655 ..... 569
1001160506 ..... 535	1001161896 ..... 687, 689	1001163212 ..... 1086	1001164726 ..... 563
1001160508 ..... 539, 541, 569	1001161897 ..... 687, 689	1001163222 ..... 1086	1001164837 ..... 327
1001160509 ..... 1016, 1019	1001161898 ..... 687, 689	1001163223 ..... 1086	1001164838 ..... 327
1001160510 ..... 1016, 1019	1001161912 ..... 734	1001163227 ..... 35, 269, 271	1001164845 ..... 107, 109
1001160625 ..... 1077	1001161920 ..... 303, 305	1001163228 ..... 269, 315	1001164846 ..... 109
1001160626 ..... 1075	1001161957 ..... 1015, 1019	1001163230 ..... 269, 271, 311	1001164858 ..... 109
1001160627 ..... 1083	1001161959 ..... 905	1001163231 ..... 269, 278	1001164859 ..... 109
1001160667 ..... 1086	1001161963 ..... 1015, 1019	1001163232 ..... 269, 333	1001164860 ..... 109
1001160669 ..... 23	1001161977 ..... 734	1001163233 ..... 269, 987	1001164869 ..... 727, 731
1001160673 ..... 1080	1001161978 ..... 734	1001163235 ..... 269, 285	1001164870 ..... 727
1001160679 ..... 25	1001162069 ..... 740	1001163238 ..... 271, 317	1001164871 ..... 113
1001160705 ..... 710	1001162076 ..... 745, 789, 791	1001163239 ..... 271, 321	1001164873 ..... 727
1001160710 ..... 19	1001162126 ..... 833	1001163241 ..... 271, 282	1001164881 ..... 115
1001160711 ..... 885	1001162212 ..... 333	1001163242 ..... 271, 983	1001164884 ..... 105, 107
1001160720 ..... 791	1001162239 ..... 37, 39	1001163245 ..... 291, 299	1001164885 ..... 105, 107
1001160721 ..... 789	1001162240J ..... 39	1001163246 ..... 291, 303	1001164888 ..... 97
1001160730 ..... 493, 1119	1001162262 ..... 75	1001163247 ..... 291, 293, 307	1001164889 ..... 99
1001160735 ..... 29	1001162281 ..... 327, 329	1001163248 ..... 293, 301	1001164948 ..... 725, 727
1001160775 ..... 1075, 1077, 1103	1001162286 ..... 67	1001163249 ..... 293, 305	1001164967 ..... 343
1001160802 ..... 439, 441	1001162376 ..... 71	1001163254 ..... 351, 353, 355	1001164971 ..... 23, 25
1001160803 ..... 475	1001162469 ..... 61, 63, 65, 67	1001163255 ..... 867, 978	1001164972 ..... 23, 25
1001160888 ..... 35	1001162597 ..... 327	1001163267 ..... 833	1001165022 ..... 671
1001160914 ..... 101	1001162660 ..... 839, 841	1001163285 ..... 1086	1001165022J ..... 667
1001160916 ..... 1109	1001162661 ..... 841	1001163300 ..... 1086	1001165036 ..... 85
1001160927 ..... 885, 887	1001162662 ..... 839, 1118	1001163304 ..... 1086	1001165040 ..... 79
1001160928 ..... 887	1001162663 ..... 841, 1118	1001163323 ..... 1086	1001165042 ..... 89
1001160945 ..... 1111	1001162667 ..... 841	1001163340 ..... 903	1001165043 ..... 83
1001161054 ..... 65, 67	1001162670 ..... 710, 761	1001163355 ..... 1086	1001165045 ..... 54, 85
1001161055 ..... 69, 71	1001162674 ..... 761, 763	1001163371 ..... 907, 911	1001165046 ..... 54, 79
1001161069 ..... 585	1001162765 ..... 839	1001163414 ..... 167, 171, 175, 801	1001165047 ..... 54, 89
1001161095 ..... 905	1001162789 ..... 541, 577	1001163546 ..... 327	1001165048 ..... 54, 58, 83
1001161097 ..... 1015, 1019	1001162886 ..... 903	1001163619 ..... 71	1001165080 ..... 549, 563
1001161098 ..... 905, 1015	1001162887 ..... 903	1001163637 ..... 309	1001165171 ..... 61, 63, 65, 67, 69, 71, 73, 75
1001161099 ..... 905, 1015, 1019	1001162920 ..... 681	1001163638 ..... 69, 73, 75	1001165172 ..... 69, 71, 73, 75
1001161100 ..... 905, 1015, 1019	1001162922 ..... 681	1001163639 ..... 643, 1119	1001165173 ..... 65, 67, 69, 71, 73, 75
1001161101 ..... 905, 1015, 1019	1001162953 ..... 614, 625	1001163693 ..... 69, 73, 75	1001165175 ..... 65, 67
1001161304 ..... 783, 785	1001162979 ..... 689	1001163723 ..... 297	1001165194 ..... 1001
1001161306 ..... 710, 783	1001162988 ..... 269, 319	1001163765 ..... 431, 435	1001165269 ..... 577, 657
1001161308 ..... 710, 765	1001163034 ..... 61, 63, 65, 67, 69, 71, 73, 75	1001163841 ..... 79, 83, 85, 89	1001165270 ..... 577
1001161340 ..... 740	1001163038 ..... 69, 71	1001163842 ..... 81, 87, 91	1001165273 ..... 657
1001161343 ..... 740	1001163067 ..... 33, 839	1001163844 ..... 833, 835	1001165275 ..... 661
1001161351 ..... 710, 740	1001163082 ..... 291, 293, 297	1001163880 ..... 77	1001165276 ..... 667
1001161352 ..... 710, 729	1001163103 ..... 61, 63, 65, 67, 69, 71, 73, 75	1001163881 ..... 54, 58, 77	1001165292 ..... 87
1001161418 ..... 421, 437		1001163900 ..... 65	1001165293 ..... 81
1001161419 ..... 421, 473			1001165294 ..... 91
1001161420 ..... 437, 439			1001165295 ..... 58, 87
1001161421 ..... 437, 713			1001165296 ..... 58, 81

## SECTION 13 - SPECIAL OPTIONS/ACCESSORIES/KITS

1001165297 ..... 58, 91	1001167528 ..... 1001	1001169461 ..... 33	1001170993 ..... 653
1001165309 ..... 1016	1001167608 ..... 1043, 1045	1001169602 ..... 31	1001171001 ..... 54, 58
1001165310 ..... 1016	1001167616 ..... 990	1001169603 ..... 588, 592	1001171037 ..... 671
1001165311 ..... 1019	1001167620 ..... 1001	1001169604 ..... 592	1001171153 ..... 29, 31
1001165327 ..... 657	1001167624 ..... 1001	1001169605 ..... 588, 592	1001171154 ..... 29, 33
1001165351 ..... 577	1001167641 ..... 990	1001169613 ..... 771, 773, 1059	1001171178 ..... 61, 63
1001165360 ... 1027, 1033	1001167646 ..... 987	1001169624 ..... 1077	1001171179 ..... 33
1001165367 ... 69, 71, 73, 75	1001167648 ..... 990	1001169653 ..... 725	1001171182 ..... 659
1001165407 ..... 577	1001167649 ..... 990	1001169654 ..... 1075	1001171183 ..... 659
1001165409 ..... 49	1001167650 ..... 990	1001169670 ..... 1077	1001171242 ..... 517
1001165416 ..... 577	1001167656 ..... 990	1001169671 ..... 1075	1001171277 ... 1080, 1083, 1086, 1090
1001165421 ..... 47	1001167657 ..... 990	1001169674 .. 1075, 1077, 1103	1001171330 ..... 737, 789, 791
1001165455 ..... 577	1001167694 ..... 1059, 1061	1001169680 ..... 771	1001171634 ..... 671
1001165458 ..... 577	1001167695 ..... 897, 1053	1001169682 ..... 421, 423	1001171756 ..... 577
1001165483 ..... 85	1001167761 ..... 105, 107, 113	1001169751 ..... 691	1001171767 ..... 653
1001165484 ..... 54, 58	1001167762 ..... 105, 107, 115	1001169763 ..... 695	1001171772 ..... 19, 21
1001165486 ..... 81, 87, 91	1001167781 ..... 725	1001169825 ..... 967	1001171808 ..... 103
1001165487 ..... 87	1001167787 ..... 727	1001169830 ..... 729, 734	1001171874 ..... 681
1001165493 ..... 81	1001167799 ..... 897	1001169881 ..... 563, 667	1001171885 ..... 37
1001165496 ..... 91	1001167806 ..... 103	1001169883 ..... 671	1001171889 ..... 523
1001165590 ..... 79, 83, 85, 89	1001167937 ..... 665	1001169885 ..... 671	1001171890 ..... 523, 527
1001165594 ... 1027, 1039	1001167958 ..... 563, 665	1001169965 ..... 291, 293	1001171962 ..... 939
1001165637 ..... 575	1001168030 ..... 291, 293	1001170071 ..... 31	1001171991 ..... 109
1001165699 ..... 901	1001168031 ..... 939	1001170072 ..... 31	1001172035 ... 1080, 1083, 1086, 1090
1001165739 ..... 79	1001168054 ..... 729	1001170215 ..... 978	1001172037 ... 1080, 1083, 1086
1001165827 ..... 879	1001168142 ..... 687, 689	1001170231 ..... 681	1001172088 ..... 681
1001165978 ..... 45, 519	1001168151 ..... 687, 689	1001170287 ..... 771, 773	1001172094 ..... 681
1001166323 ..... 895, 899	1001168264 ..... 517, 531	1001170308 ..... 327, 339	1001172146 ..... 33
1001166385 ..... 649	1001168272 ..... 337	1001170320 ..... 974, 978	1001172147 ..... 33
1001166397 ..... 740	1001168281 ..... 27	1001170326 ..... 655	1001172153 ..... 109
1001166416 ..... 303, 305	1001168286 ..... 65	1001170366 ..... 539, 541, 571	1001172154 ..... 109
1001166430 ..... 299, 301	1001168327 ..... 614	1001170374 ..... 555	1001172178 ..... 289
1001166449 ..... 315, 317	1001168330 ..... 614	1001170495 ..... 547, 555	1001172193 ..... 553, 559, 667
1001166450 ..... 315	1001168331 ..... 614	1001170500 ..... 549, 561	1001172401 ..... 539, 541, 573
1001166451 ..... 315, 317	1001168456 ..... 614	1001170502 ..... 561, 659	1001172495 ..... 887
1001166455 ..... 61, 63	1001168479 ..... 891	1001170504 ..... 588, 592	1001172496 ..... 887
1001166565 ..... 319, 321, 323	1001168482 ..... 891, 893	1001170509 ..... 423, 427	1001172536 ..... 1055
1001166634 ..... 661, 667	1001168560 ..... 327	1001170515 ..... 599, 601	1001172547 ..... 611, 614, 1119
1001166703 ..... 1001	1001168629 ..... 23, 25	1001170518 ..... 588, 592	1001172550 ..... 611, 614
1001166704 ..... 990, 1001	1001168635 ..... 327, 329	1001170524 ..... 421	1001172553 ..... 611, 614
1001166716 ..... 321	1001168638 ..... 327, 337	1001170530 ..... 423, 425	1001172591 ..... 303, 305
1001166754 ..... 525	1001168760 ..... 19, 21	1001170536 ..... 720	1001172606 ..... 588
1001166755 ..... 525	1001168761 ..... 21	1001170537 ..... 720	1001172608 ..... 588
1001166763 ..... 907	1001168771 ..... 315	1001170538 ..... 720	1001172638 ..... 21
1001166764 ..... 909	1001168795 ..... 35	1001170539 ..... 720	1001172755 ..... 278, 282
1001166925 ..... 303	1001168797 ..... 35	1001170540 ..... 720	1001172774 ..... 537
1001166975 ..... 95	1001168822 ..... 333	1001170541 ..... 720	1001172953 ..... 299
1001166993 ..... 303	1001168952 ..... 1001, 1013	1001170549 ..... 720	1001172997 ..... 101
1001167001 ..... 697	1001169151 ..... 614, 921	1001170566 ... 1011, 1013	1001173000 ..... 101
1001167010 ..... 93, 97	1001169155 ..... 315, 317	1001170601J ..... 563	1001173257 ..... 535
1001167011 ..... 93, 99	1001169173 ..... 291, 293	1001170603 ..... 549, 565	1001173298 ..... 563
1001167015 ..... 585	1001169174 ..... 291, 293	1001170615 ..... 427, 429	1001173411 ..... 911
1001167017 ..... 939	1001169207 ..... 307	1001170624 ... 1011, 1013	1001173419 ..... 541
1001167025 ..... 65, 67	1001169265 ..... 39	1001170627 ... 65, 67, 69, 71	1001173446 ..... 734
1001167027 ..... 67	1001169268 ..... 695, 1119	1001170645 ..... 19, 21	1001173450 ..... 734
1001167078 ..... 291, 293, 309	1001169354 ..... 691, 693	1001170665 ..... 19, 21	1001173451 ..... 734
1001167167 ..... 327	1001169355 ..... 693	1001170717 ..... 585	1001173452 ..... 291, 293
1001167168 ..... 327	1001169365 ... 1011, 1013	1001170722 ..... 269, 999	1001173457 ..... 291, 293
1001167186 ..... 313	1001169367 ..... 693	1001170740 ..... 978	1001173468 ..... 19, 21
1001167266 ..... 625, 629	1001169376 ..... 717	1001170741 ..... 978	1001173546 ..... 291, 293
1001167281 ..... 839	1001169378 ..... 717	1001170749 ..... 978	
1001167357 ..... 351, 353	1001169393 ..... 307	1001170816 ..... 974, 978	
1001167491 ..... 54, 58	1001169409 ..... 333	1001170944 ..... 661	
	1001169410 ..... 333		
	1001169454 ..... 31		

## SECTION 13 - SPECIAL OPTIONS/ACCESSORIES/KITS

1001173576 ..... 101	1001177597 .....904, 905, 991, 1118	1001183550 ..... 607	1001188602 .....619, 623
1001173678 ..... 101	1001177702 .....747	1001183759 ..... 327	1001188603 .....619, 623
1001173679 ..... 101	1001177704 .....740	1001183827 ..... 325	1001188604 .....619, 623
1001173688 ..... 101	1001178060 .....725, 727	1001183829 ..... 325	1001188610 .....619, 623
1001173689 ..... 101	1001178123 .....577	1001183831 ..... 319, 321	1001188612 .....619, 623
1001173690 ..... 101	1001178170 .....614	1001183835 ..... 319, 321, 325	1001188614 .....619, 623
1001173691 ..... 101	1001178670 .....687	1001183836 ..... 327	1001188618 .....623
1001173692 ..... 101	1001178706 ..... 1073	1001184017 ..... 355	1001188619 .....623
1001173693 ..... 101	1001178729 .....45	1001184052 ..... 315	1001188637 .....717
1001173728 ..... 101	1001178783 .....937	1001184076 ..... 39	1001188720 .....619, 623
1001173739 ..... 101	1001178791 .....337	1001184280 ..... 623	1001188725 .....619, 623
1001173740 ..... 101	1001178826 .....641	1001184296 ..... 619, 623	1001188729 .....619, 623
1001173849 ..... 927	1001178933 .....901	1001184297 ..... 619, 623	1001188733 .....619
1001173926 .....73, 75	1001179008 .....579, 581, 583, 641	1001184403 ..... 627	1001188778 .....891, 893
1001173934 ..... 723	1001179009 .....579, 581, 583, 641	1001184404 ..... 627	1001188782 .....891, 893
1001173935 ..... 723	1001179080 .....625	1001184405 ..... 627	1001188787 .....891, 893
1001173953 ..... 720	1001179081 .....625	1001184406 ..... 627	1001188817 .....623
1001173954 ..... 720	1001179130 .....625, 627	1001184427 ..... 623	1001188818 .....623
1001173955 ..... 720	1001179297 ..... 1073	1001184439 ..... 563	1001189023 .....623
1001173965 .....588, 592	1001179369 .....745, 815	1001184452 ..... 789, 805	1001189024 .....623
1001174100 ..... 720	1001179376 .....305	1001184453 ..... 791, 807	1001189025 .....619, 623
1001174145 ..... 720	1001179484 .....607	1001184484 ..... 891, 893	1001189046 .....987
1001174295 .....563, 669	1001179548 .....19	1001184491 ..... 1067	1001189048 .....623
1001174320 ..... 559	1001179907 .....999	1001184493 ..... 1067	1001189054 .....623
1001174321 ..... 661	1001179968 .....329, 331	1001184496 ..... 1067	1001189211 .....163
1001174329 .....54, 58, 720	1001179972 .....329	1001184551 ..... 994	1001189888 .....833, 835
1001174338 ..... 734	1001179973 .....331	1001184632 ..1080, 1083, 1086, 1090	1001190179 .....881
1001174356 .....291, 293	1001180076 .....271, 287	1001184835 .....987, 1067	1001190322 .....991, 993
1001174478 .....27, 699	1001180078 .....287	1001184975 ..... 592	1001190347 .....588
1001174581 ..... 607	1001180226 .....331	1001185179 .....588, 592	1001190585 .....978
1001174712 ..... 1069	1001180227 .....331	1001185494 ..... 895	1001190589 .....588, 592
1001174741 ..... 635	1001180227 .....331	1001185498 ..... 317	1001190670 .....881, 883, 887
1001174788 ..... 27	1001180242 .....271, 997	1001185633 ..... 637	1001190671 .....881, 883, 1025
1001174795 ..... 343	1001180263 .....535, 537	1001185823 ..... 994	1001190881 .....403
1001174796 ..... 889	1001180306 .....734	1001185824 ..... 994	1001190921 .....990
1001174800 ..... 635	1001180542 .....299, 301	1001185846 ..... 637	1001190980 .....282
1001174801 ..... 635	1001180553 .....299, 301	1001185889 ..... 869, 969	1001191091 .....669
1001174832 ..... 305	1001180620 .....1006	1001186225 ..... 365	1001191229...1080, 1083, 1086, 1090
1001175033 ..... 723	1001180682 .....937	1001186342 .....278, 282	1001191348 .....329
1001175201 ..... 337	1001180683 .....937	1001186418 ..... 734	1001191486 .....987
1001175265 .....904, 1020	1001181128 .....969, 971	1001186705 ..... 355	1001191603 .....43
1001175267 ...1016, 1019	1001181411 .....659	1001186843 ..... 734	1001191617 .....588, 592
1001175269 ..... 311	1001181531 .....925, 927	1001186898 ..... 319, 321	1001191635 .....43
1001175347 ..... 734	1001181537...1080, 1083, 1086, 1090	1001187070 .....990, 991, 993, 994	1001192042 .....740
1001175470 .....655	1001181543 .....697	1001187073 ..... 1015	1001192142 .....969, 971, 1119
1001175471 .....571, 653	1001181625 .....299, 301	1001187075 ..... 1016	1001192240 .....607
1001175477 ..... 563	1001181815 .....329	1001187076 ...1016, 1019	1001192309 .....563
1001175733 ..... 1057	1001181920 .....555, 565	1001187077 .....955, 1001	1001192393 .....877
1001175776 ...1055, 1057	1001181921 .....555, 565	1001187078 .....873, 955, 965, 993, 1019	1001192394 .....879
1001175903 ..... 592	1001181961 .....885	1001187079 .....873, 991, 993, 1015	1001192435 .....771, 773
1001175904 ..... 588	1001182011 .....299, 301	1001187080 .....991, 1015	1001192468 .....997
1001175904 ..... 588	1001182012 .....299, 301	1001187081 ..... 965	1001192471 .....997
1001176002 ..... 1001	1001182094 .....285	1001187081 ..... 965	1001192643 .....663
1001176004 ..... 1001	1001182123 .....555, 565	1001187335 .....529, 531	1001192644 .....665
1001176121 .....571, 655	1001182279 .....763, 837	1001187623 ..... 974	1001192646 .....563
1001176164 ..... 631	1001182328 .....637	1001187624 ..... 974	1001192711 .....265
1001176228 ..... 271	1001182671 .....701	1001188048 .....529, 531	1001192720 .....265
1001176272 .....555, 565	1001182805 .....869	1001188372 ..1080, 1083, 1086, 1090	1001192766 .....563, 663
1001176273 .....555, 565	1001182807 .....869, 1011	1001188403 .....869, 974	1001192836 .....45
1001176333 ..... 915	1001182839 .....567	1001188590 .....611, 614	1001192875 .....265
1001176338 ..... 937	1001183024 .....543, 545, 1119	1001188592 ..... 623	1001192876 .....265
1001176490J ..... 49	1001183177 .....319	1001188594 .....619, 623	1001192877 .....265
1001176492J ..... 47			1001193026 .....351, 353
1001176515 ..... 135			
1001176626 .....555, 565			
1001176650 .....327, 329			
1001176935 .....990, 1001			
1001176945 ..... 327			



## SECTION 13 - SPECIAL OPTIONS/ACCESSORIES/KITS

1001193210 .....667	1001198893 ..... 889	1001203932 ..... 37	1001210342 ..... 1122
1001193540 .....265	1001199099 .....969, 971	1001203933 ..... 37	1001210450 .....1006
1001193729 .....265	1001199328 .....1123	1001203934 ..... 37	1001210707 .....33
1001193771 .....717	1001199333 .....1122	1001204032 .....361, 843	1001210780 .....781
1001193775 .....773	1001199334 .....1122	1001204045 .....73, 75	1001210782 .....527
1001193781 .....717	1001199362 .....1123	1001204060 .....1047	1001210801 .....781
1001193782 .....717	1001199366 .....1123	1001204066 .....661	1001210803 .....687, 781
1001193993 .....969, 971	1001199368 .....1122	1001204086 .....39	1001211041 .....647
1001194245 .....710, 717	1001199370 .....1123	1001204095 .....881, 1023	1001211139 .....177
1001194282 .....687	1001199376 .....1122	1001204115 .....661	1001211153 .....1095
1001194421 .....919	1001199378 .....1122	1001204120 .....661	1001211155 .....1099
1001194534 .....319, 321	1001199380 .....1122	1001204152 .....729	1001211156 .....1093
1001194978 .....357	1001199381 .....1122	1001204153 .....729	1001211157 .....1097
1001194981 .....839	1001199382 .....1122	1001204225 .....681	1001211428 .....289
1001195089 .....997	1001199645 .....339	1001204486 .....39	1001211429 .....289
1001195342 .....629	1001199670 .....339	1001204528 .....1049	1001211432 .....31, 289
1001195343 .....629	1001199739 .....1122	1001204530 .....1049	1001211516 .....173
1001195345 .....629	1001199740 .....1122	1001204598 .....541, 651	1001211607 .....751, 817
1001195346 .....629	1001199824 .....335	1001204709 .....641	1001211608 .....753, 819
1001195385 .....629	1001199825 .....327, 335	1001205172 .....991, 1119	1001211627 .....725, 727
1001195386 .....629	1001200082 .....1011, 1013	1001205254 .....974	1001211628 .....725, 727
1001195437 .....629	1001200101 .....1080, 1083, 1086, 1090	1001205255 .....974	1001211693 .....901
1001195518 .....35	1001200102 .....974, 978	1001205402 .....551	1001211747 .....289
1001195634 .....687	1001200152 .....1069	1001205532 .....563, 661	1001211907 .....588, 592
1001195781 .....991	1001200206 .....955, 965	1001205756 .....740	1001211944 .....883
1001195782 .....991	1001200239 .....287	1001205976 .....557	1001211991 .....1122
1001195849 .....1080	1001200538 .....1049	1001206019 .....285	1001211992 .....1122
1001195851 .....1086	1001200539 .....1047	1001206248 .....65, 67, 69, 71	1001212011 .....669
1001195855 .. 1080, 1086, 1090	1001200555 .....349	1001206332 .....353	1001212047 .....579
1001195878 .....553, 559	1001200720 .....1101, 1105	1001206448 .....353	1001212048 .....581
1001195883 .....889	1001200989 .....69, 71, 73, 75	1001206588 .....278, 282	1001212049 .....579
1001195970 .....155	1001201162 .....959	1001206746 .....21	1001212050 .....581
1001195972 .....529	1001201331 .....577	1001206980 .....361	1001212369 .....575
1001196076 .....599, 601	1001201646 .....19, 21	1001207171 .....991	1001212470 .....925, 927, 1119
1001196100 .....1027	1001201885 .....919	1001207173 .....1016	1001213065 .....789, 791, 823
1001196289 .....959, 961	1001201921 .....717	1001207217 .....1080	1001213126J .....39
1001196404 .....39	1001202134 .....645, 1063	1001207218 .....1083	1001213200J .....507
1001196422 .....39	1001202138 .....645, 1063	1001207282 .....289	1001213210 .....339, 341
1001196426J .....39	1001202247 .....361	1001207291J .....27	1001213286 .....1122
1001196440 .....278, 282	1001202247 .....361	1001207292 .....27	1001213289 .....1123
1001196454 .....791, 831	1001202303 .....720	1001207299 .....19, 21	1001213289 .....1123
1001196455 .....789, 829	1001202371 .....1122	1001207557 .....289	1001213331 .....661
1001196491 .....355	1001202454 .....925	1001207594 .....543, 567	1001213334 .....1122
1001196806 .. 1080, 1086, 1090	1001202487 .....361	1001207606 .....231	1001213336 .....1122
1001197027 .....599, 603	1001202491 .....361	1001207939 .....97	1001213339 .....1122
1001197138 .....681, 683, 1118	1001202498 .....1023	1001207963 .....588, 592	1001213340 .....1122
1001197139 .....681, 685	1001202512 .....517, 531	1001208050 .....54, 58	1001213342 .....1122
1001197151 .....109, 111	1001202513 .....517	1001208106 .....527	1001213343 .....1122
1001197217 .....639	1001202519 .....959	1001208192 .....647	1001213344 .....1122
1001197218 .....639	1001202526 .....333	1001208308 .....588, 592	1001213349 .....1123
1001197219 .....639	1001202617 .....959	1001208338 .....517	1001213350 .....1123
1001197259 .....639	1001202620 .....939	1001208523 .....1122	1001213752 .....557, 567
1001197282 .....643	1001202621 .....939	1001208524 .....1122	1001213791 .....563
1001197299 .....278, 282	1001202622 .....939	1001208647 .....1122	1001213988 .....901, 923
1001197339 .....37	1001202786 .....517, 531	1001208765 .....753, 791	1001214092 .....575
1001197407 .....990, 994	1001202846 .....740	1001208766 .....751, 789	1001214156 .....635
1001197600 .....769, 859	1001202847 .....740	1001208847 .....1123	1001214167 .....1122
1001197709 .....495	1001202904 .....251	1001208881 .....740	1001214220 .....681
1001197715 .....495	1001202986 .....278, 282, 983, 1011, 1013	1001209028 .....557	1001214326 .....539, 541, 551
1001197716 .....495	1001203067 .....729	1001209387 .....41	1001214331 .....539, 547
1001198291 .....495	1001203181 .....361, 1118	1001209388 .....39	1001214332 .....541, 549
1001198321 .....969, 971	1001203225 .....925	1001209463 .....649	1001214401 .....567
1001198355 .....265	1001203503 .....265	1001209625 .....1086	1001214468 .....740
	1001203640 .....1043, 1047, 1049	1001209899 .....555, 565	1001214480 .....687, 689
		1001209981 .....1123	1001214535 .....637
		1001210341 .....1122	

## SECTION 13 - SPECIAL OPTIONS/ACCESSORIES/KITS

1001214653 .....	823	1001227188 .....	667	1001232148 .....	119	1001239095 .....	1122
1001214654 .....	823	1001227266 .....	949	1001232288 .....	967, 971	1001239194 .....	953, 1118
1001215319 .....	343, 345	1001227297 .....	951, 953, 955	1001232299 .....	119, 121	1001239249 .....	953
1001215476 .....	361	1001227379 .....	217	1001232339 .....	119	1001239510 .....	345
1001215531 .....	661	1001227382 .....	221	1001232355 .....	223	1001239511 .....	345
1001215941 .....	361, 1119	1001227670 .....	135, 139, 143, 145, 147, 149, 157, 159, 161, 167, 169, 171, 173, 175, 177, 182, 187, 231	1001232377 .....	734	1001239539 .....	361
1001217467 .....	285	1001227802 .....	563	1001232439 .....	359	1001239734 .....	167, 171, 175
1001218255 .....	240	1001227964 .....	361	1001232500 .....	137	1001239793 .....	925, 927, 1119
1001218341 .....	47, 49	1001228069 .....	829, 833	1001232556 .....	359	1001239961 .....	1122
1001218358 .....	873	1001228273 .....	361	1001232587 .....	123	1001241308 .....	663
1001218542 .....	611, 614	1001228643 .....	361	1001232624 .....	359	1001241337 .....	673
1001218659 .....	1080	1001228861 .....	771, 773, 775	1001232751 .....	359, 881	1001241610 .....	901, 935
1001218704 .....	1080	1001228872 .....	333	1001233174 .....	943	1001241836 .....	37
1001218996 .....	611, 614	1001228989 .....	1047, 1049	1001233199 .....	943	1001241837 .....	511, 515
1001219076 .....	588, 592	1001229107 .....	945	1001233202 .....	943	1001241841 .....	511
1001219082 .....	361, 963	1001229235 .....	519	1001233236 .....	947, 1119	1001241842 .....	515
1001219211 .....	1083, 1086, 1090	1001229458 .....	963, 1118	1001233237 .....	947	1001241848 .....	511
1001219212 .....	1080	1001229540 .....	595	1001233383 .....	167	1001241849 .....	515
1001219220 .....	555, 565	1001229541 .....	597	1001233384 .....	171	1001241879 .....	757, 853
1001219865 .....	588, 592	1001229550 .....	595	1001233385 .....	175	1001242098 .....	699, 1118
1001220540 .....	525	1001229551 .....	597	1001233399 .....	943	1001242644 .....	157
1001220760 .....	365	1001229707 .....	1115	1001233434 .....	943	1001243187 .....	1122
1001220817 .....	1027	1001229799 .....	1123	1001233435 .....	943	1001243188 .....	1122
1001221057 .....	623	1001229955 .....	951, 1118	1001233558 .....	1086	1001243214 .....	185
1001221058 .....	623	1001230083 .....	1123	1001233832 .....	943	1001244138 .....	740
1001221059 .....	611, 614	1001230163 .....	669	1001233919 .....	720, 723	1001244192 .....	1047, 1049
1001221228 .....	1027	1001230239 .....	137	1001233978 .....	1090	1001244193 .....	1047, 1049
1001221295 .....	611, 614	1001230241 .....	137	1001234127 .....	779, 857	1001245323 .....	941, 943
1001221318 .....	557, 567	1001230310 .....	1080	1001234137 .....	121	1001245914 .....	1123
1001221319 .....	557, 567	1001230311 .....	1086	1001234254 .....	121	1001246001 .....	505
1001221504 .....	507	1001230402 .....	873	1001234277 .....	777	1001246022 .....	185
1001221941 .....	951	1001230403 .....	873, 874	1001234455 .....	41	1001246391 .....	990, 994
1001222388 .....	963	1001230404 .....	874	1001234800 .....	994	1001247421 .....	1055, 1119
1001222609 .....	697, 703, 1118	1001230419 .....	343	1001235100 .....	289	1001247442 .....	1123
1001222650 .....	1080, 1083, 1086, 1090	1001230421 .....	337, 343	1001235696 .....	987, 990	1001247444 .....	1123
1001222715 .....	983, 993	1001230599 .....	1041	1001235794 .....	1090	1001249695 .....	1123
1001222741 .....	661	1001230623 .....	1041, 1043	1001235796 .....	1090	1001249941 .....	1123
1001223265 .....	588, 592	1001230713J .....	45, 519	1001235797 .....	1090	1001250161 .....	937
1001223453 .....	1080, 1086	1001230765 .....	185, 187	1001235798 .....	1090	1001250331 .....	23, 25
1001225259 .....	963, 965	1001230931 .....	903	1001235799 .....	1090	1001251067 .....	737, 811
1001225467 .....	740	1001231000 .....	335	1001235800 .....	1090	1001251068 .....	831, 835
1001225751 .....	710, 755	1001231001 .....	335	1001235801 .....	1090	1001252086 .....	1123
1001225752 .....	755, 757	1001231065 .....	737	1001235802 .....	1090	1001252522 .....	745
1001226035 .....	749	1001231221 .....	119, 121, 123	1001235803 .....	1090	1001252567 .....	767, 855
1001226328 .....	945, 1119	1001231244 .....	45	1001235804 .....	1090	1001252571 .....	765
1001226362 .....	749	1001231397 .....	873, 874	1001235805 .....	1090	1001252986 .....	505
1001226363 .....	773	1001231398 .....	873, 874, 919, 1016	1001235806 .....	1090	1001253076 .....	740
1001226364 .....	771	1001231400 .....	873, 874, 919, 1016	1001235807 .....	1090	1001253078 .....	740
1001226397 .....	717	1001231401 .....	873, 874	1001235808 .....	1090	1001253084 .....	740
1001226398 .....	775	1001231402 .....	874	1001235809 .....	1090	1001253086 .....	734
1001226400 .....	949	1001231404 .....	874, 919, 1016	1001235921 .....	1123	1001253089 .....	734
1001226405 .....	717	1001231406 .....	874, 919, 1016	1001235963 .....	37, 41	1001253090 .....	740
1001226406 .....	717	1001231407 .....	361, 871	1001236255 .....	1122	1001253096 .....	740
1001226636 .....	955	1001231483 .....	361, 873	1001236542 .....	531	1001253097 .....	729
1001226637 .....	955	1001231692 .....	137	1001237845 .....	583	1001253102 .....	740
1001226799 .....	951, 953	1001231801 .....	1080	1001237846 .....	1113	1001253103 .....	729
1001227056 .....	771, 773, 845			1001237852 .....	583	1001253107 .....	740
1001227066 .....	945, 947, 949			1001238560 .....	133, 265	1001253111 .....	740
1001227068 .....	949			1001238565 .....	127, 129, 131, 133	1001253154 .....	729
1001227077 .....	361			1001238566 .....	265	1001253156 .....	729
1001227186 .....	559			1001238570 .....	265	1001253160 .....	740
1001227187 .....	667			1001238627 .....	181	1001253252 .....	765, 767
				1001238653 .....	127	1001253253 .....	777, 779
				1001238654 .....	131	1001253331 .....	359
				1001238655 .....	129	1001253371 .....	710, 777
				1001238953 .....	1122		

## SECTION 13 - SPECIAL OPTIONS/ACCESSORIES/KITS

1001254185 ..... 951, 953, 957	1001268827 ..... 611, 617	1319594 ..... 379, 381, 383, 385, 387, 389	1706300 ..... 1080
1001254389 ..... 1122	1001268828 ..... 617, 619	1319595 ..... 379, 381, 383, 385, 389	1706301 ..... 1080
1001254390 ..... 1122	1001268829 ..... 617, 621	1319600 ..... 379, 381, 383, 385, 387, 389	1706302 ..... 265, 1080
1001254400 ..... 1122	1001268830 ..... 617, 621	1319601 ..... 379, 381, 383, 385, 387, 389	1706306 ..... 1080
1001254401 ..... 1122	1001268831 ..... 614, 621	1319602 ..... 379, 381, 383, 385, 387, 389	1706768 ..... 1080
1001256073 ..... 553, 559	1001268832 ..... 621, 623	1319606 ..... 385, 389	1706850 ..... 1080
1001256952 ..... 687, 689	1001268846 ..... 588, 592	1319608 ..... 383, 393	1706892 ..... 127
1001256974 ..... 705, 1119	1001269555 ..... 619, 623	1319613 ..... 383	1707078 ..... 1080
1001257058 ..... 557	1001269556 ..... 619, 623	1319614 ..... 385	1784861 ..... 119, 121
1001257059 ..... 557	1001269558 ..... 619, 623	1319615 ..... 379, 381, 385, 389	2080040 ..... 133
1001257067 ..... 557	1001269559 ..... 619, 623	1319617 ..... 379, 381	2080078 ..... 659
1001257069 ..... 557	1001269560 ..... 619, 623	1319618 ..... 379, 381	2080086 ..... 553, 559
1001257071 ..... 705	1001269561 ..... 619, 623	1319620 ..... 379, 381	2080087 ..... 553, 559
1001257087 ..... 557	1001269563 ..... 619, 623	1319621 ..... 379, 381	2080092 ..... 571
1001257763 ..... 740	1001269564 ..... 619, 623	1319622 ..... 379, 381	2110406 ..... 757, 767
1001258099 ..... 673	1001269578 ..... 623, 1119	1319623 ..... 379, 381	2110408 ..... 747
1001258217 ..... 493, 543	1001269579 ..... 623	1319624 ..... 379, 381	2110604 ..... 767
1001258244 ..... 609	1001270466 ..... 901, 1118	1319625 ..... 379, 381	2110606 ..... 165, 167, 171, 175, 747, 757, 767, 779
1001258245 ..... 609	1001270467 ..... 1006, 1118	1319626 ..... 379, 381	2110610 ..... 763
1001258563 ..... 545, 557	1001270468 ..... 1006, 1119	1319627 ..... 379, 381	2110808 ..... 27, 713, 747, 767, 785
1001258605 ..... 207	1001270976 ..... 611, 614	1319628 ..... 379, 381	2110810 ..... 731, 829, 831
1001258706 ..... 493	1001271436 ..... 909, 917	1319630 ..... 379, 381	2111008 ..... 767, 779
1001258806 ..... 545	1001272680 ..... 1103	1319631 ..... 379, 381	2111010 ..... 747, 757, 781
1001258807 ..... 543	1001272890 ..... 1123	1319632 ..... 379, 381	2111212 ..... 737
1001258862 ..... 543, 545	1001272892 ..... 1123	1319633 ..... 389	2111616 ..... 757, 839
1001259062 ..... 543, 545, 1051	1001274257 ..... 1123	1319636 ..... 379, 381, 389	2130404 ..... 687, 689, 775
1001259081 ..... 893	1001274302 ..... 1123	1319638 ..... 379, 381	2130406 ..... 23, 747
1001259141 ..... 740	1001274305 ..... 1123	1319647 ..... 419	2130604 ..... 749, 775
1001259206 ..... 209	1001274307 ..... 1123	1319648 ..... 419	2130606 ..... 25, 161, 165, 757, 767
1001259635 ..... 505	1001274718 ..... 1123	1319683 ..... 397	2130608 ..... 161
1001260171 ..... 365, 367	1001274721 ..... 1123	1319684 ..... 397	2130806 ..... 25
1001260509 ..... 1067	1001276749 ..... 1103	1319685 ..... 397	2130808 ..... 167, 171, 175, 687, 689, 767
1001260572 ..... 734	1001276750 ..... 1103	1319686 ..... 397	2130810 ..... 297, 829, 831
1001260573 ..... 740	1001276759 ..... 1103	1319687 ..... 397	2131008 ..... 775
1001260599 ..... 741	1024044 ..... 725, 727	1319688 ..... 397	2131010 ..... 297, 775
1001260947 ..... 1123	1060379 ..... 133	1319689 ..... 397	2131210 ..... 365, 757
1001262072 ..... 925, 927	1060626 ..... 887, 1025	1319694 ..... 397	2131212 ..... 307, 749, 775
1001262335 ..... 475, 477	1062255 ..... 353, 951, 953, 963, 974, 978, 983, 987	1319726 ..... 405	2131616 ..... 297, 767
1001262959 ..... 1122	10700681 ..... 227	1320022 ..... 614	2144605 ..... 713, 715
1001262960 ..... 945, 947	10705034 ..... 161	1320219 ..... 734	2150404 ..... 111, 731
1001262963 ..... 945, 947	10713707 ..... 1006	1320748 ..... 417	2150808 ..... 715, 785
1001263011 ..... 499	10719267 ..... 317	1320754 ..... 417	2160016 ..... 23, 25, 27, 61, 63, 65, 67, 69, 71, 97, 99, 113, 833
1001263046 ..... 109	10725554 ..... 445, 481	1321094 ..... 273, 275	2160018 ..... 65, 67, 69, 71
1001264415 ..... 557	10725627 ..... 487	1321329 ..... 720	2170108 ..... 747
1001264612 ..... 601, 605	10731709 ..... 397, 401	1322039 ..... 273, 275	2170110 ..... 757
1001264700 ..... 499	10731744 ..... 377	1322040 ..... 273, 275	2170204 ..... 749
1001264713 ..... 499	10731845 ..... 383, 385, 389	1701509 ..... 133	2170208 ..... 687, 689
1001264844 ..... 1065	10731959 ..... 419	1702631 ..... 1080, 1083, 1086, 1090	2170210 ..... 749
1001264861 ..... 1065	10732072 ..... 397	1702773 ..... 127, 129, 131	2170212 ..... 307
1001264976 ..... 617, 621	10732095 ..... 395	1704277 ..... 133	2170216 ..... 297
1001264994 ..... 901, 903	10837928 ..... 853	1704885 ..... 127, 129, 131	2170306 ..... 757
1001265008 ..... 911	10837929 ..... 853	1706098 ..... 1083	2170308 ..... 717
1001265200 ..... 1065	10837937 ..... 853	1706281 ..... 1083	2170316 ..... 297
1001265742 ..... 687	1170021 ..... 159	1706282 ..... 1083	2170350 ..... 767
1001265764 ..... 687	1170024 ..... 169	1706284 ..... 1083	2170404 ..... 763
1001266488 ..... 601	120034 ..... 901, 907, 909	1706285 ..... 1083	2170406 ..... 779
1001266638 ..... 909, 915	1319229 ..... 369	1706288 ..... 1083	2170510 ..... 740
1001266666 .. 1011, 1013, 1019	1319436 ..... 413	1706292 ..... 1083	2170806 ..... 713, 715, 767
1001266692 .. 1011, 1013, 1015	1319558 ..... 373	1706296 ..... 1080	2170810 ..... 779
1001267971 ..... 753, 821	1319563 ..... 373	1706299 ..... 1080	2171308 ..... 725
1001268341 ..... 1122	1319571 ..... 375, 377, 393, 409, 413		
1001268744 ..... 601, 919	1319576 ..... 393		
1001268804 ..... 601	1319590 ..... 375, 393		
	1319593 ..... 379, 381, 383, 385, 387, 389		

## SECTION 13 - SPECIAL OPTIONS/ACCESSORIES/KITS

2172106.....167, 171, 175, 757	3291001 .... 291, 293, 319, 321, 327, 329, 720, 974, 978	4060919.....729, 740 4105262..... 103	4460748.....991 4460761 .....873, 923
2172108..... 731	3291005 23, 25, 103, 725, 727, 974, 978	4109801..... 1080, 1083, 1086, 1090	4460789 .....921, 990 4460809 ..... 873
2180467..... 309	3291201 61, 63, 119, 121, 777	4110422.....137, 139, 141, 143, 145	4460836 .....911, 1015 4460884 .... 873, 903, 912, 961, 1001, 1015, 1020, 1065
2180849.....725, 727	3291205 .... 27, 69, 71, 99, 431, 683	4110473..... 161	4460891 ... 873, 990, 991, 993, 1001, 1015, 1016, 1019, 1053, 1061, 1065
2200223.....293, 347	3291605 .... 95, 97, 99, 113	4240018..... 729	4460894 .. 903, 904, 1001, 1016, 1019, 1033
2200224.....299, 301	3292001 .....527	4240032.....945, 947, 951, 953	4460897 ... 904, 917, 1016
2220218..... 287	3300240 .... 159, 167, 169, 171, 173, 175	4240099.....717, 729, 740, 1023, 1025	4460899 .... 904, 921, 935
2220237.....291, 293	3311405 ..... 133	4460225..... 904, 911	4460906 .....911
2220239.....781, 839	3311502 .....265	4460234.....951, 953	4460930 .... 904, 915, 991, 1001, 1019
2220240..... 839	3311505 .....599, 601	4460265..... 904	4460931 .....899
2220242..... 297	3311508 .....887	4460267....904, 911, 912, 915, 923	4460932 .... 871, 903, 912, 1045, 1051, 1057
2220415..... 177	3311605 ..... 123	4460268.....904, 911, 912, 915, 923	4460933 .... 904, 955, 965, 990, 994, 1015, 1016, 1019
2220473..... 177	3331615 ..... 35	4460321..... 873, 923	4460934 .....990
2220810..... 287	3332011 .....525	4460343.....904, 911, 912, 915	4460935 .....990
2220883.....823, 833, 835, 859	3333011 ..... 58	4460367.....912, 915	4460941 .... 903, 912, 917, 921, 1019, 1033, 1039
2220886..... 823	3340843 ..... 123	4460434.....904, 915	4460942 .... 911, 912, 917, 1015, 1016, 1019, 1033, 1065
2221116..... 767	3391410 .....265	4460458.....873, 991, 994, 1020, 1045, 1061	4460943 .... 899, 903, 917, 994
2221229..... 763	3421453 ..... 133	4460464.....871, 873, 899, 903, 904, 919, 921, 935, 949, 955, 965, 990, 993, 1001, 1016, 1019, 1045, 1051, 1057	4460944 .... 903, 915, 957, 990, 1001, 1015
2221244..... 740	3423242 .....169, 171	4460465.....873, 903, 904, 911, 915, 917, 941, 955, 957, 961, 965, 990, 991, 993, 994, 1001, 1015, 1016, 1019, 1020, 1053, 1061, 1065	4460945 .... 873, 905, 965
2340037..... 205	3423275 .....159, 167	4460466.....873, 899, 903, 904, 915, 917, 935, 955, 957, 961, 965, 990, 991, 993, 994, 1001, 1015, 1016, 1019, 1020, 1033, 1039, 1045, 1051, 1053, 1065	4460950 .....990, 993
2340038..... 219	3423276 .... 173, 175, 177	4460475..... 873	4460955 .....991, 993
2340039..... 225	3423307 .... 167, 171, 175	4460496.....901, 909, 991, 993	4460970 .. 990, 993, 1019, 1033, 1039
2340045..... 213	3440620 ..... 137	4460497.....899, 901, 909, 991, 993	4460982 ..... 1001
2400060.....941, 955, 965	3520072 ..... 133	4460508.....899, 990, 993	4460984 ..... 905
24921332.....327, 329	3520186 ..... 43	4460509..... 1015, 1016, 1020	4460994 .....912, 1065
2600281..... 133	3520198 ..... 133	4460518....873, 965, 1016	4461005 .....991, 993
2716143..... 240	3575947 .....311	4460536..... 919	4461006 .....990, 993
2717160..... 161	3740080 ... 361, 919, 1119	4460539.....873, 903, 904, 915, 941, 965, 1001, 1015, 1019	4461015 .917, 1016, 1065
2717161..... 161	3760170 ..... 133	4460608.....990, 991, 993, 994	4461016 ..... 903
2717162..... 161	3760348 .....681	4460670.....941, 955, 965	4461017 ..... 899
2717283.....161, 163, 813	3760493 .....77	4460705..... 911	4461018 ..... 1020
2717287..... 177	3790151 .....361	4460708..... 911	4461054 .....991
2915023..... 803	3790152 .....361	4460742..... 873	4461095 .....990, 994
2920207..... 1027, 1029	3790228 .....734	4460744..... 904	4461115 .....912, 1045
2920208..... 1027, 1031	3820020 ..... 133	4460746..... 904, 994	4461118 ... 921, 941, 1020
2940074..... 133, 1118	3841203 .... 167, 171, 175		4461174 ..... 889
31200160..... 127	3900379 .19, 21, 595, 597		4461227 ..... 941
31200386..... 129	3931632 .....765		4461262 .....1019, 1051
31200387..... 131	4000015 .....891, 1119		4461290 .....967
31200388..... 131	4010415 .....893		4469464 .....991
3251813..... 1080, 1083, 1086, 1090	4010508002.....588, 592		4520356 .....505
3271505..... 943	4010510 .....697		4520482 .....497
3290401.....611, 614, 939, 943, 983	4010608002.....563, 588, 592, 599, 601, 635, 649		4520519 .....503
3290405.....663, 891	4010610002.....585, 588, 592, 635, 891, 893		4520527 .....503
3290501.....359, 701, 705, 901, 907, 909, 1055	4010612002.....667		4641122 .....505
3290505.....101, 361, 673, 720, 963	4031205 .....939		4641192 .....781
3290601.....101, 265, 278, 282, 349, 359, 614, 635, 681, 743, 891, 893, 901, 969, 971, 983, 1043	4031607 .....705, 839		4641501 .....165, 849
3290605.....41, 588, 592, 891, 893, 974, 978	4031608 .... 359, 720, 987		4641502 .....161, 165
3290607..... 1027	4031608001.....588, 592		4711400 ..... 133
3290801.....315, 317, 327, 353, 563, 677, 987, 1006	4031708 .....557		
3290805.....45, 519, 543, 545, 685, 687, 720, 725, 1006	4031908 .....720		
3290806..... 659	4031910 .....535, 537		
	4031912 ..... 783		
	4031917 .....737		
	4031918 .....727		
	4031920 .....769		
	4031921 .....771, 773		
	4032017 ..... 765		

## SECTION 13 - SPECIAL OPTIONS/ACCESSORIES/KITS

4711500 .....943	4831400 .....611, 614	70021362..... 151	70022530 ..... 181
471678 .....577	4831600 ..... 359, 839, 987	70021364..... 151	70022564 ... 811, 823, 835
4740003 .....115	4831700 ..... 278, 282, 635	70021365..... 151	70022634 .....273, 275
4740274 ..... 291, 293	4831900 .... 313, 611, 614,	70021366..... 151	70022765 .925, 927, 1118
4740532 .....761	681	70021367..... 151, 181	70022814 .....483
4761800 .....734	4832000 .....291, 293	70021376..... 157, 799	70022931 .....236, 240
4807718 .....631	4832100 .....291, 293	70021377..... 157	70022932 .....236, 240
4811400 .... 143, 145, 147,	4871700 .....1011, 1013	70021378..... 157	70022933 .....240
149, 159, 167, 169,	4891800 .... 167, 171, 175	70021379..... 157	70022934 .....236, 240
171, 173, 175, 177,	4892600 .....439, 475	70021382..... 157, 181	70022935 .....237, 240
611, 614, 939, 943, 983	5201010 .....891, 893	70021387..... 139, 151	70022936 .....236, 240
4811600 .... 101, 359, 361,	5201210 ..... 109	70021389..... 157	70022937 .....237, 240
588, 592, 673, 720,	5220600 .....1047	70021391..... 151	70022938 .....240
963, 987, 1055	5220800 .....885, 887	70021392..... 151	70022939 .....237, 240
4811602001 ..... 588, 592	5240800 .... 65, 67, 69, 71	70021393..... 151, 793	70022940 .....240
4811700 ..19, 21, 41, 101,	5242400 ..... 23, 25, 265	70021399..... 151	70022941 .....240
265, 278, 282, 339,	5250608 .....629	70021415..... 139, 141	70022942 .....237, 240
349, 359, 529, 531,	5250814 ..... 19, 21, 999	70021429..... 181	70022943 .....240
553, 557, 559, 563,	5271609 .....1055	70021440...135, 163, 182,	70022944 .....240
567, 577, 585, 599,	5271808 .... 65, 67, 69, 71	793, 799	70022945 .....240
601, 614, 635, 649,	5272012 .....493	70021442..... 182	70022946 .....237, 240
681, 743, 901, 969,	6604662 ..... 177	70021443..... 182	70022947 .....240
971, 974, 978, 983,	70000656 .....397	70021444 .....793, 799	70022948 .....240
987, 997, 1006, 1011,	70002219 ..... 801	70021445 .....799	70022949 .....237, 240
1013, 1027, 1043,	70002224 .....801	70021446 .....793, 799	70022950 .....237, 240
1047, 1049	70002955 .....857	70021447 .....793, 799	70022951 .....240
4811700001 ..... 588, 592	70002963 .855, 857, 1118	70021448 .....793, 799	70022952 .....237
4811702 ....325, 349, 529,	70003788 .....859, 1118	70021451 .....793, 799	70022957 .....236, 241
531, 571, 635, 681,	70003849 .....801	70021452 .....793, 799	70022960 .....236, 241
687, 689, 877, 879	70004654 .....851	70021464 .....793	70022966 .....240
4811702001 ..... 563, 588,	70005014 .....805, 807	70021465 .....793	70022969 .....236, 241
592, 667, 697	70005433 .....835	70021466 .....793	70022970 .....236, 241
4811900 ..31, 54, 58, 309,	70006596 .....811	70021526..... 393	70022971 .....240
327, 329, 331, 337,	70020002 ... 157, 163, 181	70021531..... 847	70022972 .....240
339, 349, 351, 353,	70020004 .....255	70021606 .....487	70022973 .....240
519, 533, 535, 537,	70020015 .....181	70021609 .....487	70022974 .....240
543, 545, 563, 569,	70020017 .....181	70021610 .....487	70022975 .....240
575, 599, 601, 614,	70020025 .....181	70021611 .....487	70022976 .....240
637, 661, 677, 681,	70020026 .....181	70021612 .....487	70022977 .....240
687, 689, 717, 720,	70020027 .....181	70021613 .....487	70022978 .....240
725, 734, 740, 745,	70020028 ... 157, 163, 181	70021614 .....451	70022979 .....240
749, 777, 839, 889,	70020428 .....803	70021812 .....803	70022980 .....237, 240
939, 943, 969, 971,	70020438 ... 815, 819, 827	70021867 .....837	70022982 .....240
983, 987, 1006	70020476 .....827	70021920 .....377	70022984 .....236, 241
4811902 .... 19, 21, 37, 39,	70020555 .....231, 233	70021921 .....139, 141	70022985 .....236, 241
313, 315, 317, 611,	70020562 .....151	70021935 .....139, 141	70022987 .....236, 241
614, 635, 637, 734	70020764 .....847, 1118	70021977 .....139, 141	70022988 .....240
4812000 .... 19, 21, 23, 25,	70020867 .....851, 861	70021978 .....139, 141	70022990 .....237, 241
33, 37, 41, 43, 45, 103,	70020868 .....851, 1118	70021979 .....139, 141	70022992 .....236, 241
291, 293, 299, 301,	70021177 .....443, 447	70021980 .....151	70022993 .....236, 241
311, 319, 321, 327,	70021208 .....851, 1118	70021981 .....151	70022994 .....236, 241
329, 331, 355, 365,	70021209 .....851	70021982 .....151	70022995 .....236, 241
493, 519, 687, 689,	70021213 .....851	70022008 .....853	70022996 .....248
720, 725, 727, 740,	70021227 .....387	70022010 .....853	70022998 .....237, 240
755, 969, 971, 974,	70021228 .....387	70022012 .....853	70022999 .....240
978, 987, 1006, 1011,	70021268 .....387	70022014 .....853	70023000 ... 195, 240, 248
1013, 1027	70021269 .....387	70022028 .....139, 141	70023001 .....240
4812002 37, 39, 291, 293,	70021338 .....181	70022044 .....803	70023003 .....236, 241
319, 321	70021340 .....1035, 1037	70022045 .....803	70023004 .....236, 243
4812100 ....27, 31, 33, 35,	70021341 .....1035, 1037	70022046 .....803	70023005 .....237, 243
69, 71, 99, 285, 287,	70021342 .....141, 151	70022075 ...379, 381, 385,	70023006 .....237, 243
431, 683, 777, 974, 978	70021349 .....139, 141	387, 389	70023007 .....237, 243
4812102 .....31, 291, 293,	70021351 .....157	70022140 .....445, 481	70023008 ... 236, 241, 243
517, 531	70021358 .....151	70022147 .....851, 1118	70023009 .....236, 241
4812300 .....35, 95, 97, 99	70021359 .....151	70022527 ....139, 141, 151	70023010 .....236, 240
4812500 ..... 525, 527	70021360 .....151	70022528 .....139, 141	70023014 .....236, 241
4812700 ..... 54, 58	70021361 .....151	70022529 .....139, 141	70023015 .....237

## SECTION 13 - SPECIAL OPTIONS/ACCESSORIES/KITS

70023016.....236, 240, 241	70024849.....449	70026241.....273, 275	70026376.....853
70023086.....805, 807	70024851.....447	70026244.....341	70026377.....853
70023327.....851	70024881.....483, 491	70026245.....341	70026378.....853
70023369.....823	70024902.....383, 389	70026247.....341	70026380.....853
70023379.....811, 823, 835	70025335.....443, 479	70026248.....341	70026381.....853
70023469.....445, 481	70025336.....481	70026249.....815, 827	70026382.....853
70023474.....411	70025337.....481	70026250.....827	70026383.....853
70023476.....413	70025338.....481	70026251.....815	70026389.....853
70023489.....481	70025339.....455, 481	70026252.....827	70026395.....323
70023490.....455, 481	70025341.....483	70026253.....815, 827	70026396.....323
70023491.....455	70025353.....240	70026255.....445	70026401.....863
70023493.....481	70025561.....447, 483	70026256.....447	70026421.....819
70023494.....445, 481	70025562.....481, 483	70026257.....703	70026422.....819
70023496.....455	70025606.....801	70026258.....703	70026423.....819
70023736.....273, 275	70025619.....805, 807	70026259.....483	70026424.....819
70023800.....413	70025816.....679	70026260...447, 469, 483	70026425.....819
70023801.....413	70025817.....679	70026261...447, 471, 483, 827	70026432.....683
70023885.....377, 407	70025844.....703	70026262.....449	70026433.....683
70023925...237, 241, 245	70025850.....323, 1118	70026263.....449	70026435.....815
70023928.....849	70025851.....323, 1118	70026264.....449	70026436.....815
70023929.....849	70025856.....455	70026266...453, 465, 491	70026440.....859
70023933.....273	70025859.....683	70026267.....483	70026442.....859
70024004.....455	70025860.....683	70026268.....483	70026443.....859
70024005.....445, 455	70025887.....445, 481	70026282.....817	70026444.....859
70024016.....273, 275	70025897.....837	70026283.....817	70026445.....859
70024020.....801	70025959.....801	70026284.....817	70026446.....859
70024059.....139, 141	70026002.....447, 483	70026285.....817	70026453.....273
70024060.....141	70026030.....481	70026288.....817	70026470.....248
70024062.....135	70026056.....801	70026291.....817	70026471.....248
70024123.....248	70026057.....801	70026292.....929, 1119	70026472.....248
70024127.....195	70026058.....801	70026293.....931, 1119	70026473.....248
70024129...199, 759, 825	70026059.....801	70026294.....1009, 1119	70026476.....248
70024130.....759	70026060.....801	70026295.....1009, 1119	70026478.....759
70024146...447, 459, 483	70026061.....801	70026296.....1009, 1118	70026480.....189
70024147.....459, 483	70026062.....801	70026297.....1009, 1118	70026481.....195, 248
70024186.....837	70026066.....447, 483	70026300.....823	70026482.....195, 248
70024188.....837	70026082.....295	70026301.....823	70026491.....817
70024189.....837	70026154.....807	70026302.....823, 835	70026495.....825
70024202.....853	70026155.....807	70026303.....823	70026497.....825
70024210.....449, 487	70026156.....807	70026304.....823	70026499.....825
70024213.....449	70026157.....805, 807	70026305.....823	70026500.....825
70024215.....449	70026158.....805, 807	70026308.....823	70026501.....248, 825
70024216.....487	70026159.....805, 807	70026309.....823	70026502.....825
70024262.....801	70026163.....805	70026336.....805, 807	70026503.....199, 825
70024306.....229	70026164.....805	70026337.....805	70026505.....825
70024307.....229	70026211.....809	70026338.....805	70026506.....825
70024407.....837	70026212.....809	70026339.....805	70026515.....373
70024408.....837	70026213.....809	70026340.....805	70026516..373, 375, 377, 407
70024414.....837	70026214.....809	70026341.....807	70026517...375, 397, 401
70024415.....837	70026215.....809	70026342.....807	70026518.....375
70024416.....837	70026220.....273	70026343.....807	70026519.....377
70024538.....248	70026222.....275	70026347.....248	70026529..379, 381, 383, 385, 387, 389
70024539.....797	70026223.....273	70026353.....295	70026530.....383
70024547.....797	70026224.....273, 275	70026354.....295	70026532.....387
70024548.....797	70026225.....273, 275	70026355.....295	70026535.....385, 389
70024549.....797	70026226.....273, 275	70026356.....295	70026536...391, 411, 413
70024550.....248	70026228.....273, 275	70026357.....295	70026539.....395
70024551.....189	70026229.....273, 275	70026358.....295	70026544.....395, 397
70024552.....189	70026230.....273, 275	70026359.....295	70026547.....397
70024679.....191	70026231.....273, 275	70026360.....295	70026548.....397
70024684.....191	70026232.....273, 275	70026369.....853	70026554.....397
70024721.....191, 195	70026233.....275	70026370.....853	70026555.....397
70024733.....199	70026234.....275, 1118	70026373.....853	70026556.....397
70024734.....199, 825	70026235.....273, 275	70026374.....853	70026568.....851
70024759.....191, 201	70026236.....273	70026375.....853	70026569.....851
70024761.....191, 201	70026237..273, 275, 1118		
70024848.....449	70026238.....447, 483		

## SECTION 13 - SPECIAL OPTIONS/ACCESSORIES/KITS

70026570	851	70027032	603	70028853	377	70029609	189
70026571	851	70027033	603	70028854	377	70029610	189
70026572	837	70027034	603	70028855	377	70029611	189
70026582	861, 1118	70027035	603	70029031	833	70029612	189
70026583	837	70027098	853	70029032	833	70029613	189
70026585	248	70027105	481	70029033	833	70029614	189
70026586	248	70027130	853	70029460	811	70029615	189
70026587	248, 825	70027281	275	70029461	811	70029616	189
70026588	248	70027283	163	70029462	811	70029617	189
70026589	248, 759	70027317	487	70029463	811	70029618	189
70026590	248	70027641	181	70029464	811	70029619	189
70026591	248	70027642	157, 181	70029465	835	70029620	189
70026592	248	70027644	181	70029466	835	70029621	189
70026593	248	70027645	181	70029468	835	70029622	189
70026594	248	70027647	182	70029469	835	70029623	189
70026595	248	70027649	182	70029470	835	70029624	189
70026596	248	70027651	377, 393, 401	70029473	343	70029625	189
70026597	248	70027705	341	70029474	343	70029626	189
70026598	248	70027706	341	70029475	343	70029627	189
70026599	248	70027753	835	70029476	343	70029628	189
70026600	248	70027758	823	70029478	181	70029629	189
70026601	248	70027773	181	70029479	182	70029630	189
70026602	248	70027951	241	70029480	181	70029631	189
70026603	248	70028119	197	70029481	181	70029632	191
70026604	248	70028130	195	70029507	835	70029633	191
70026605	248	70028153	191, 201	70029508	835	70029634	191
70026606	248	70028154	191, 201	70029525	375, 413	70029635	191
70026607	248	70028155	191, 201	70029526	383, 385, 389	70029636	191
70026608	248	70028163	413	70029527	393	70029637	191
70026609	248	70028279	819	70029528	395	70029638	191
70026610	825	70028281	845, 1118	70029530	395, 397	70029639	191
70026611	825	70028388	479, 483	70029531	397	70029640	191
70026612	759	70028389	479, 483	70029532	397	70029641	191
70026613	759	70028450	273	70029533	397	70029642	191
70026614	759	70028451	859	70029534	397	70029643	191
70026615	759	70028453	845	70029535	397	70029644	193
70026616	759	70028467	835	70029536	397	70029645	193
70026617	759	70028478	853	70029537	397	70029646	193
70026618	759	70028484	853	70029538	401	70029647	199
70026619	759	70028486	163, 181	70029539	403	70029648	189
70026620	759	70028514	843	70029540	395, 397	70029649	201
70026621	759	70028515	843	70029541	395, 397	70029650	201
70026698	139, 141	70028516	843	70029542	395	70029651	201
70026699	135	70028517	843	70029543	395	70029652	201
70026745	231	70028519	163	70029553	181	70029653	201
70026746	231	70028520	163	70029554	181	70029654	201
70026747	135	70028521	163	70029556	181	70029655	201
70026753	489	70028522	163	70029586	189	70029656	201
70026770	795, 813	70028523	163	70029587	189	70029657	201
70026771	795, 813	70028524	163	70029588	189	70029658	201
70026772	795	70028525	163, 181	70029592	199	70029659	195
70026773	795, 813	70028526	163, 182	70029593	199	70029660	195
70026774	795, 813	70028527	163	70029594	199	70029661	195
70026775	795, 813	70028528	163	70029595	189, 195	70029662	195
70026800	275	70028529	163	70029596	197	70029663	195
70026801	275, 1118	70028530	163	70029597	197, 1118	70029664	195
70026944	135	70028531	163	70029598	197	70029665	195
70026946	135	70028546	921	70029599	197	70029666	195
70026948	135	70028661	195	70029600	197	70029667	195
70026949	135	70028672	195	70029601	197	70029668	195
70027009	139	70028701	189, 201	70029602	197	70029669	195
70027022	487	70028702	189, 201	70029603	199	70029670	195
70027024	603	70028703	189, 201	70029604	199	70029671	195
70027025	603	70028706	201	70029605	199	70029672	195
70027026	603	70028707	201	70029606	199	70029673	195
70027028	603	70028708	201	70029607	199	70029674	195
70027030	603	70028768	195	70029608	189	70029675	195

## SECTION 13 - SPECIAL OPTIONS/ACCESSORIES/KITS

70029676.....	195	70029748.....	259	70041620.....	273, 275	7027265.....	383, 385
70029677.....	195	70029749.....	257, 259	70050472.....	853	7027267.....	387
70029678.....	195	70029750.....	253	70050481.....	853	7027269.....	415
70029679.....	195	70029751.....	255	70050504.....	853	7027270.....	415
70029680.....	195	70029752.....	255	70050507.....	853	7027271.....	417
70029681.....	193	70029753.....	263	70050508.....	853	7027272.....	417
70029682.....	193	70029754.....	263	7012510.....	859	7027273.....	419
70029683.....	193	70029755.....	255	7022390.....	845, 857	7028639.....	1039
70029684.....	193	70029756.....	253, 255	7022399.....	859	7028714.....	447, 483
70029685.....	193	70029757.....	255	7024574.....	803	7028715.....	447, 483
70029686.....	193	70029758.....	263	7024808.....	859	7028716.....	447, 483
70029687.....	193	70029759.....	263	7024939.....	837	7028733.....	447, 457, 483
70029688.....	193	70029760.....	255	7024943.....	837	7029031.....	377
70029689.....	193	70029761.....	257	7024944.....	837	7029127.....	451, 489
70029690.....	193	70029762.....	253, 255	7024953.....	837	7029267.....	395, 397
70029691.....	193	70029763.....	259	7024954.....	837	7029288.....	443, 479
70029692.....	193	70029764.....	255	7026490.....	451, 489	7029290.....	465, 467, 491
70029693.....	193	70029765.....	255	7026577.....	413	7029306.....	479
70029694.....	193	70029766.....	255	7026578.....	413	7029307.....	443, 479
70029695.....	193	70029767.....	255	7026744.....	369	7029309.....	447
70029701.....	181	70029768.....	255	7026745.....	369	7029317.....	461, 483
70029702.....	181	70029769.....	257	7026746.....	371	7029486.....	585, 1073
70029704.....	263	70029770.....	259	7026747.....	373	7029520.....	233
70029705.....	263	70029771.....	257	7026748.....	373	7029521.....	233
70029706.....	263	70029772.....	257	7026749.....	373	7029692.....	141, 151
70029707.....	263	70029773.....	255	7026750.....	375	7029703.....	181
70029708.....	263	70029774.....	255	7026751.....	375	7029711.....	157
70029709.....	263	70029775.....	255	7026752.....	375	7029714.....	151
70029710.....	263	70029776.....	255	7026754.....	377	7029734.....	449, 487
70029711.....	263	70029777.....	253, 255	7026755.....	377	7029735.....	449, 487
70029712.....	263	70029778.....	255	7026756.....	377	7029743.....	447, 461, 484
70029713.....	263	70029779.....	255	7026757.....	379	7029785.....	487
70029714.....	263	70029780.....	253, 255	7026758.....	379, 381, 383, 385, 387, 389	7029789.....	449
70029715.....	263	70029781.....	253, 255	7026759.....	379, 381, 383, 385, 387, 389	7029849.....	379, 381, 385, 387, 389
70029716.....	263	70029782.....	261	7026760.....	379, 381, 383, 385, 387, 389	7029850.....	379, 381, 383, 385, 387, 389
70029717.....	257	70029783.....	261	7026761.....	379, 381, 383, 385, 387, 389	7029852.....	379, 381, 383, 385, 387, 389
70029718.....	257	70029784.....	255	7026762.....	381	7029969.....	1029, 1031
70029719.....	257	70029785.....	253	7026765.....	387	7029970.....	1031
70029720.....	255	70029786.....	255	7026766.....	387	7029971.....	1031, 1035, 1037
70029721.....	255	70029787.....	259	7026769.....	387, 393, 415, 417	7029973.....	375
70029722.....	255	70029788.....	255	7026771.....	393	7029996.....	181
70029723.....	255	70029789.....	257, 259	7026772.....	393	7029997.....	181
70029724.....	255	70029790.....	255	7026773.....	393	7062922.....	177
70029725.....	253, 255	70029791.....	263	7026774.....	393	7110702.....	177
70029726.....	255	70029792.....	253	7026775.....	393	7110712.....	177
70029727.....	261	70029793.....	255	7026776.....	395	7110722.....	177
70029728.....	255	70029794.....	253, 255	7026780.....	395	7117502.....	65, 69, 71
70029729.....	255	70029795.....	263	7026781.....	395	7139918.....	161
70029730.....	261	70029796.....	263	7026782.....	399	7150580.....	425, 433
70029731.....	261	70029816.....	853	7026783.....	399	7300435.....	35
70029732.....	255, 263	70029817.....	853	7026784.....	399	7301295.....	161
70029733.....	263	70029818.....	853	7026787.....	397	7301408.....	215
70029734.....	253, 255, 263	70029819.....	853	7026788.....	397	760812.....	543, 545
70029735.....	253, 255	70029820.....	853	7026789.....	397	77133136.....	720
70029736.....	255	70029976.....	855	7026791.....	401	77133137.....	720, 740
70029737.....	263	70029977.....	855	7026792.....	377, 401	77133139.....	720
70029738.....	253, 255	70030010.....	855	7026793.....	401	77133140.....	720, 740
70029739.....	253, 255, 257, 259	70030011.....	855	7026794.....	377, 401	77133168.....	740
70029740.....	253	70030036.....	857	7026796.....	415	8000759.....	659
70029741.....	255, 257, 259	70030141.....	157	7026798.....	603	8000803.....	563
70029742.....	253, 255	70030142.....	157	7027254.....	409	8004398.....	659
70029743.....	253, 255, 257	70030143.....	157	7027255.....	409	8005870.....	651
70029744.....	259	70030144.....	157			8008175.....	443
70029745.....	255	70030145.....	157				
70029746.....	257, 259	70041616.....	273, 275				
70029747.....	253, 255	70041617.....	273, 275				
		70041619.....	273, 275				



## SECTION 13 - SPECIAL OPTIONS/ACCESSORIES/KITS

80204002 ..... 443, 479	8229242 .... 929, 931, 941, 955, 965, 991, 1118	86683122..... 359	91403413 .. 139, 157, 161, 163, 167, 171, 175, 177, 182, 195, 237, 240, 248, 725, 727
80204005 ..443, 463, 479, 483	8229244 .. 933, 991, 1009, 1118	86883127..... 327	91403414 .. 139, 157, 161, 163, 167, 171, 175, 177, 182, 195, 237, 240, 248, 725, 727
80204033 ..... 445, 481	8229245 . 929, 1009, 1118	8750016..... 740	91403448 ..... 137
80204035 ..... 445, 481	8229247 . 931, 1009, 1118	8750024..... 717	91403530 ..... 123
80204043 ..... 445, 481	8229261 ..... 873, 1118	8750025..... 717	91413025 ..... 315, 317
80204048 ..... 445, 481	8275212 ..... 327	8750029..... 740	91473206 ... 495, 497, 499
80204060 ..... 449	8278020 ..... 291, 293	8769132..... 177	91474035 ..... 429, 435
80204065 ..... 457, 483	828905 ..... 1039	8769153..... 725, 727, 740	91474512 ..... 443, 479
80204071 ..... 447, 483	8303634 ..... 161, 177	8770016..... 177	91474524 ..... 447
80204076 ..... 447, 483	8303658 ..... 161	8770120..... 729	91503106 ..... 899
80204108 ..... 449	8303715 ..... 177	8770215..... 751, 753	91504107 ..... 1001, 1033
80204117 .. 449, 465, 467, 487, 491	8305624 ..... 161	8780039..... 501	91513266 ..... 517, 531
80204143 ..... 451, 489	8305643 ..... 161, 177	8786514.... 495, 497, 499, 509, 511, 513, 515	91514081 ..... 447, 483
80204144 ..... 451, 489	8305919 .... 325, 571, 588, 592, 635, 877, 879	88581157 ..... 54, 58	91514082 ..... 447, 483
80204281 ..... 449	8307904 ..... 177	88662434 ..... 740	91514083 ..... 447
80233218 ..... 729	8307918 ..... 177	88671001.... 167, 171, 175	91514084 ..... 447
80304227 ..... 387	8310160 ..... 177	8880218-OM .... 425, 427, 431	91514087 ..... 443, 447
80304405 ..... 373	8310161 ..... 177	8881800..... 720	91514089 .. 443, 447, 449, 479
80334277 ..... 837	8310302 ..... 161	8881802..... 335	91514090 ... 465, 467, 491
8033786 ..... 803	8310435 ..... 161	8887145..... 833	91514095 ..... 447, 483
8034697 ..... 853	8310559 ..... 669	90200003... 159, 161, 167, 169, 171, 173, 175, 177	91514098 ..... 443, 479
8035382 ..... 853	8310620 ..... 47, 49	90206198..... 39	91514099 ... 447, 465, 467
8035536 ..... 803	8310686 .... 327, 329, 734, 783, 939, 943	90451058..... 161	91514101 ..... 443, 479
8035779 ..... 433	8405006 ..... 729, 740	90554016... 135, 139, 141, 151, 157, 163, 231	91514111 ... 469, 471, 483
8035862 ..... 803	8405007 .... 299, 365, 734	90554017..... 151, 157	91514112 ..... 447, 483
8035863 ..... 803	8405009 .... 299, 301, 337, 681	90554018..... 151	91514117 ..... 457, 483
8036190 ..... 383, 385	8405101 ..... 299, 301	90554019..... 163	91514118 ..... 517, 531
80363179 ..... 1001, 1033, 1039	8405201 .... 299, 301, 592	90554020... 139, 141, 157, 181	91514123 ..... 445, 447
80363195 ..... 569	8405202 ..... 299, 301	90554021 ..... 181	91514129 ..... 445, 481
8036433 ..... 433	8405209 ..... 734	90554024 ..... 181	91514130 ..... 445, 481
8036528 ..... 395, 397	8405212 .... 303, 305, 361	90554025 ..... 181	91514131 ..... 445, 481
8036529 ..... 395	8405305 .... 303, 305, 361	90554026 ..... 181	91514133 ..... 445, 481
8036733 ..... 795, 813	8405402 .... 315, 319, 321	90554027 ..... 181	91514134 ..... 445, 481
8036847 ..... 375, 377	8406102 ..... 355	90554033 ..... 135	91514143 ..... 455
8037140 ..... 809	8406105 .... 720, 974, 978	90554034 ..... 135	91514146 ..... 463, 483
80604016 ..... 911	8406112 ..... 278, 282	90554035 ..... 181	91514147 ..... 463, 483
80604018 ..... 1001, 1053	8406201 .... 349, 983, 987, 1011, 1013	90554039 ..... 181	91514148 ..... 463, 483
80604020 ..... 1045	8410009 .... 333, 349, 611, 614, 740	90554040 ..... 181	91514149 ... 447, 463, 483
80604021 . 912, 961, 1001	8410011 ..... 315, 317	90554042 .... 139, 141, 181	91514151 ..... 449
806253 ..... 519	8410013 .... 299, 301, 333	90554043 ..... 181	91514152 ..... 449
806264 ..... 519	8410019 ..... 299	90554044 ..... 181	91514154 ..... 449, 487
80634004 ..... 837	8420053 .... 139, 157, 161, 163, 167, 171, 175, 177, 182, 195, 240	90554045... 181, 182, 793, 799	91514158 ..... 449
8065062 ..... 177	8420055 .... 139, 157, 161, 163, 167, 171, 175, 177, 182, 195, 240	90554046 ..... 182	91514159 ..... 449, 487
80673025 ..... 740	8424217 ..... 763	90554054 ..... 139, 141	91514161 ..... 449
80933113 ..... 761	8424233 ..... 734	90554062 ..... 141, 151	91514165 ..... 449
80933367 ..... 315, 317	8430032 ..... 25, 763, 767, 779	90554065 ..... 151, 157	91514174 ..... 447, 483
80963067 ..... 991	8430033 ..... 767, 779	90554067 ..... 157, 181	91514175 ..... 459, 483
80983191 .. 929, 931, 933, 991, 1118	8430034 ..... 287	90554076 ..... 141, 151	91514177 ..... 459, 483
82033995 ..... 333, 349	8466306 ..... 573	90554080 ..... 233	91514178 ..... 447, 483
8205655 ..... 803	8546407 ..... 734	91013191 ..... 1019	91514179 ..... 447, 483
8220035 ..... 871	8580315 ..... 177	91013192 ..... 1016	91514180 ..... 447, 483
8220051 .... 903, 911, 912, 1015	8584001 ..... 177	91041596 ..... 67, 71	91514181 ..... 447, 483
8220097 ..... 990	8584003 ..... 177	91043084 ..... 497	91514183 ..... 447, 483
8220098 ..... 990	8630003 ..... 161	91043125... 237, 725, 727	91514184 ..... 461, 483
8220108 ..... 871, 967	8642207 ..... 177	91043126... 237, 725, 727	91514185 ..... 461, 483
8220116 ..... 1016		91053419 ..... 361	91514186 ..... 461, 483
8220124 ..... 990, 994		91083385 ..... 501, 503	91514188 ..... 447, 483
8220375 ..... 904, 905		91355037 ..... 497	91514189 ..... 447, 483
8220525 ..... 1001		91355038 ..... 497	91554019 ..... 1001
8229234 ..... 874		91403119 ..... 67, 71	91561240 ..... 109
8229235 ..... 873, 1118		91403193 ..... 421	91563025 ..... 67, 71

# SECTION 13 - SPECIAL OPTIONS/ACCESSORIES/KITS

91563250.....501, 503

91565005.....67, 71

91565039.....503

91565040.....503





An Oshkosh Corporation Company

**Corporate Office**  
**JLG Industries, Inc.**  
**1 JLG Drive**  
**McConnellsburg, PA 17233-9533 USA**  
**☎ (717) 485-5161 (Corporate)**  
**☎ (877) 554-5438 (Customer Support)**  
**📠 (717) 485-6417**

**Visit our website for JLG Worldwide Locations.**  
**[www.jlg.com](http://www.jlg.com)**